

# Genuine Spare Parts

www.stiga.com

## COMBI 53 SQ BW B Model Year 2012

- Use GLOBAL GARDEN PRODUCT Genuine Spare Parts specified in the parts list for repair and/or replacement.
- The contents described in the parts list may change due to improvement.
- The drawings of the spare parts are only indicative and might not represent the part in question exactly.
- The indications "right" - "left" - "front" - "rear" refer to the position of the operator when using the machine.
- When placing orders of parts for repair and/or replacement, make sure that the illustrated parts list is the one applying to the machine's year of manufacture, as shown on the identification plate attached to the machine.

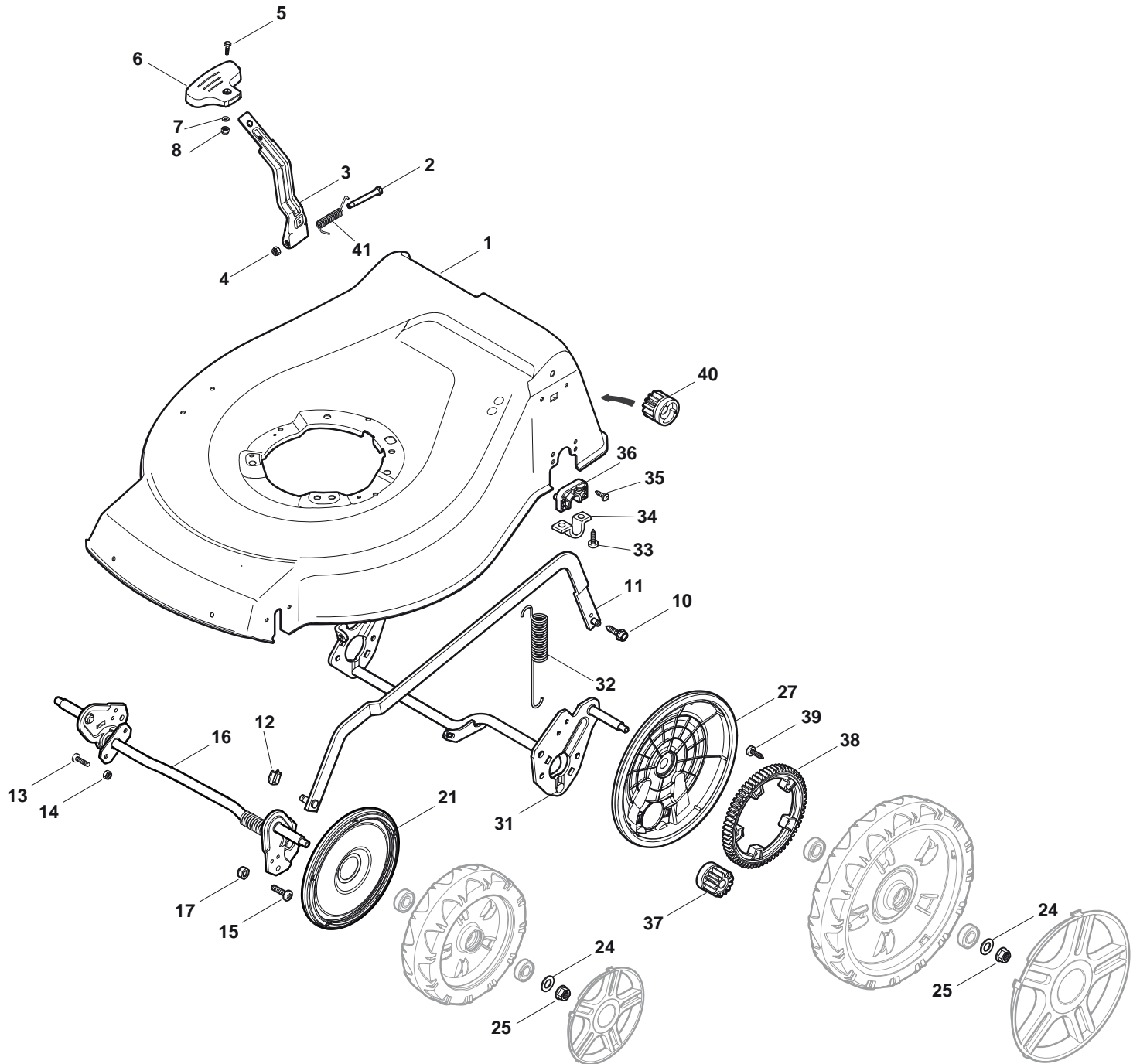
© Copyright 2012 Global Garden Products

All content is subject to copyright by Global Garden Products and may not be reproduced in whole or in part by any means, electronic or otherwise, without prior written approval.

THIS INFORMATION IS NOT INTENDED FOR SALE OR RESALE, AND THIS NOTICE MUST REMAIN ON ALL COPIES.



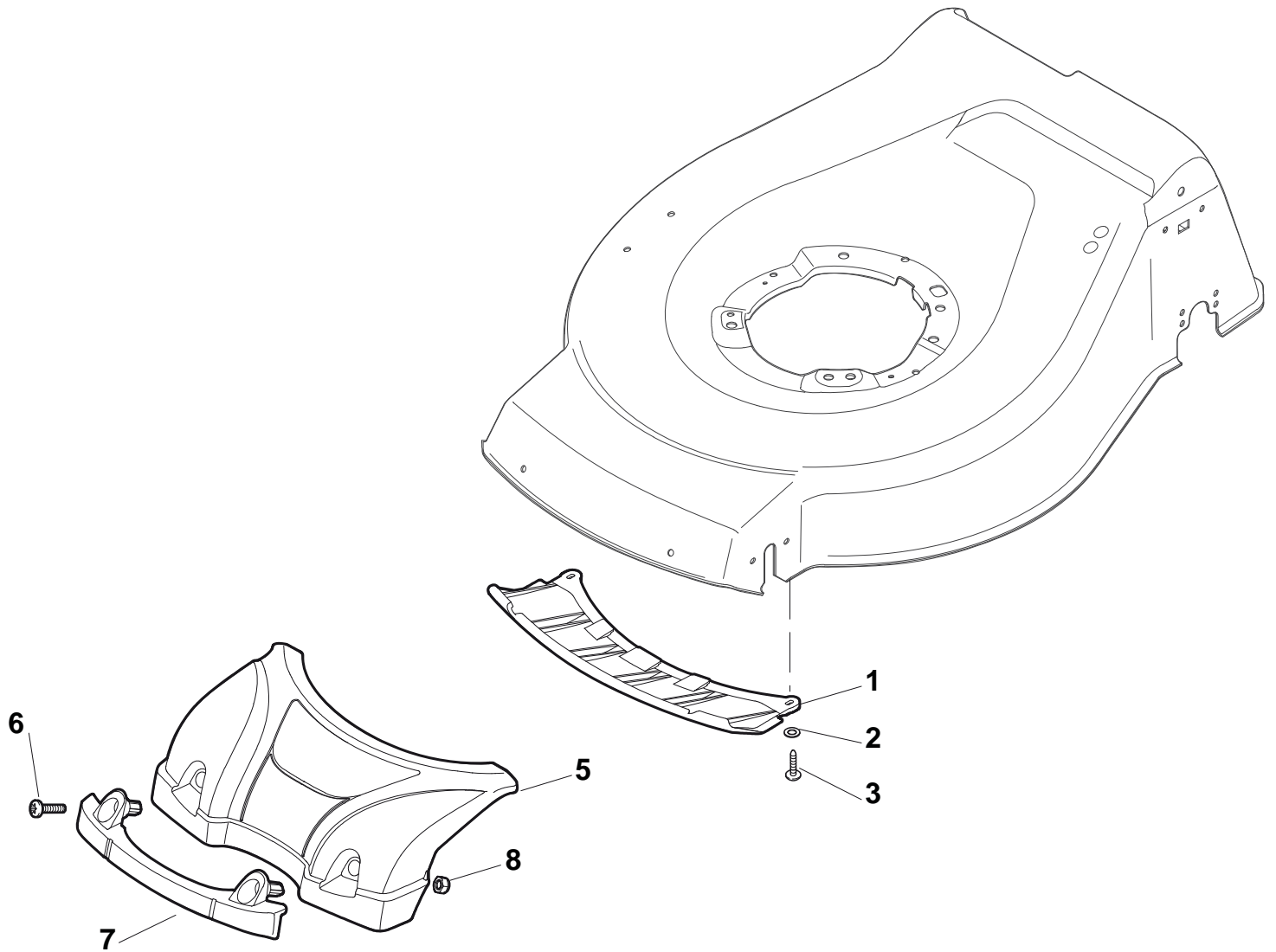
COMBI 53 SQ BW B





## COMBI 53 SQ BW B

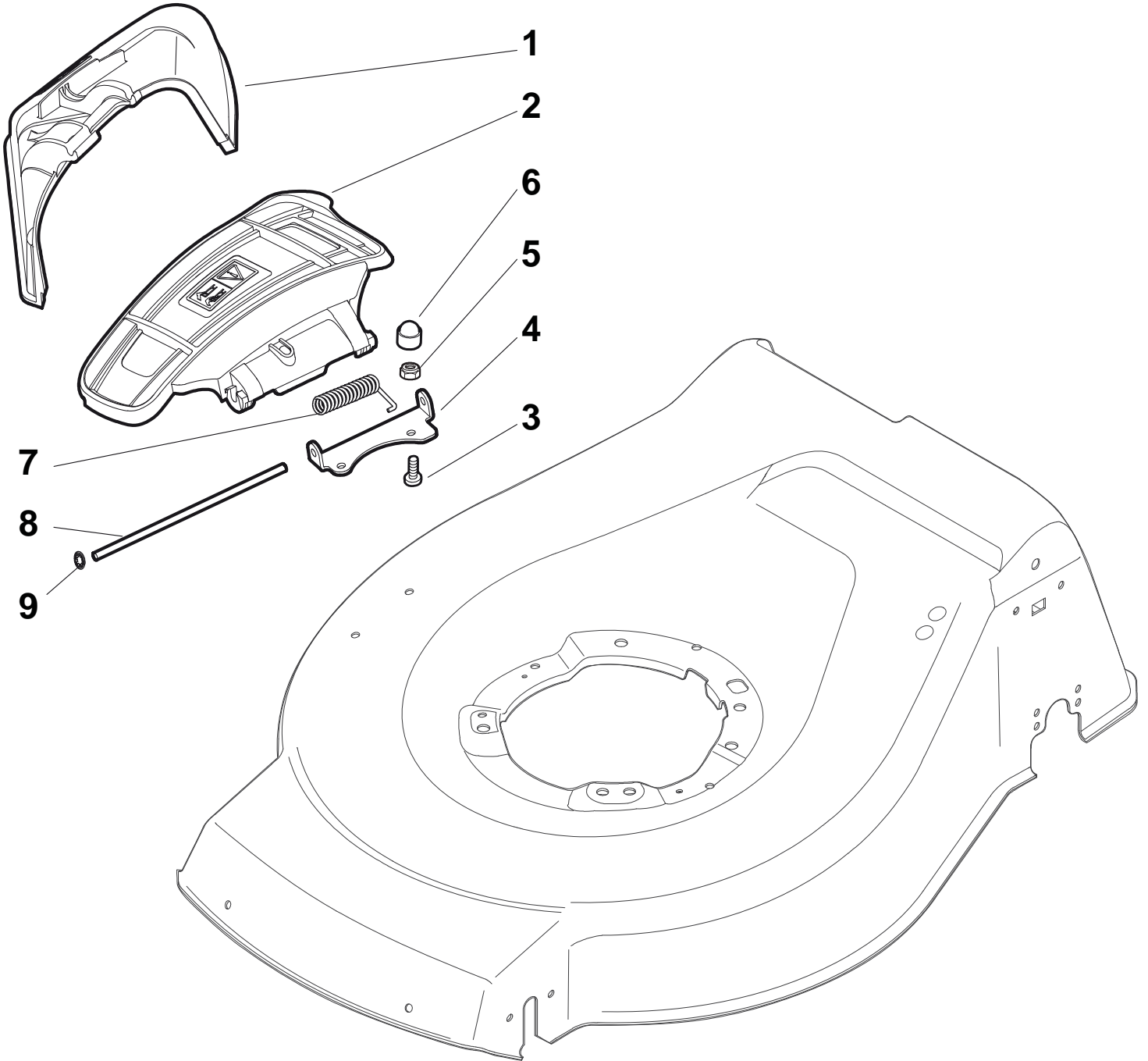
| Pos. Fig. | Antal Quantity | Art No Part No | Benämning            | Description              | Anmärkning Notes |
|-----------|----------------|----------------|----------------------|--------------------------|------------------|
| 1         | 1              | 381004608/0    | Chassi-svart         | Deck Black               |                  |
| 2         | 1              | 122534131/0    | Remstyrning          | Pin                      |                  |
| 3         | 1              | 381003398/0    | Höjdinställningsspak | Lever, Height Adjustment |                  |
| 4         | 1              | 12154510/0     | Mutter               | Nut                      |                  |
| 5         | 1              | 12788512/0     | Skruv                | Screw                    |                  |
| 6         | 1              | 322394503/0    | Knopp                | Knob                     |                  |
| 7         | 1              | 12521310/0     | Bricka               | Washer                   |                  |
| 8         | 1              | 12150000/0     | Mutter               | Nut                      |                  |
| 10        | 1              | 122943013/0    | Skruv                | Screw                    |                  |
| 11        | 1              | 381002032/0    | Höjdinställn.stång   | Rod, Height Adjustment   |                  |
| 12        | 1              | 112436051/0    | Plåt                 | Plate                    |                  |
| 13        | 3              | 112727803/0    | Skruv                | Screw                    |                  |
| 14        | 3              | 12154510/0     | Mutter               | Nut                      |                  |
| 15        | 1              | 112727801/0    | Skruv                | Screw                    |                  |
| 16        | 1              | 381002887/1    | Hjulaxel-ram         | Axle, Front Wheels       |                  |
| 17        | 1              | 12154510/0     | Mutter               | Nut                      |                  |
| 21        | 2              | 322600145/0    | Hjulskydd            | Protection, Wheel        |                  |
| 24        | 4              | 12521350/0     | Bricka               | Washer                   |                  |
| 25        | 4              | 12155000/0     | Mutter               | Nut                      |                  |
| 27        | 2              | 322600208/0    | Hjulskydd            | Protection, Wheel        |                  |
| 31        | 1              | 381302835/0    | Hjulaxel-bakre       | Axle, Rear Wheels        |                  |
| 32        | 1              | 122450460/0    | Fjäder               | Spring                   |                  |
| 33        | 4              | 112728697/0    | Skruv                | Screw                    |                  |
| 34        | 2              | 22545152/0     | Plåt                 | Plate                    |                  |
| 35        | 4              | 112728697/0    | Skruv                | Screw                    |                  |
| 36        | 2              | 322785304/0    | Fäste                | Support                  |                  |
| 37        | 1              | 122570134/0    | Drev hö              | Pinion L                 |                  |
| 38        | 2              | 322120115/0    | Ringdrev             | Ring Gear                |                  |
| 39        | 6              | 112728706/0    | Skruv                | Screw                    |                  |
| 40        | 1              | 122570133/0    | Drev vä              | Pinion R                 |                  |
| 41        | 1              | 122446192/0    | Fjäder               | Spring                   |                  |





## COMBI 53 SQ BW B

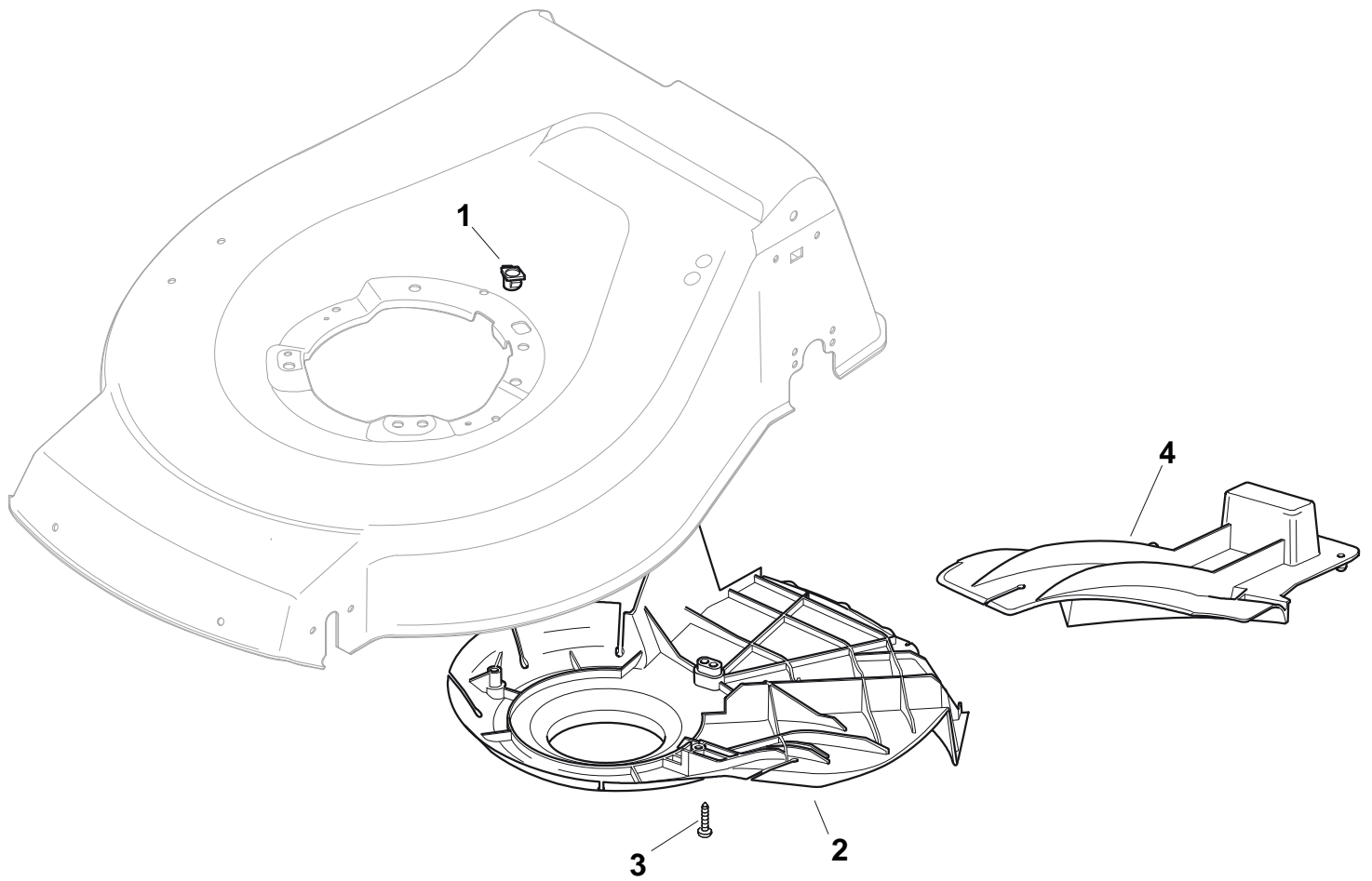
| Pos. Fig. | Antal Quantity | Art No Part No | Benämning        | Description      | Anmärkning Notes |
|-----------|----------------|----------------|------------------|------------------|------------------|
| 1         | 1              | 322500103/0    | Air Intake Grill | Air Intake Grill |                  |
| 2         | 2              | 112523000/1    | Bricka           | Washer           |                  |
| 3         | 2              | 12728124/0     | Skruv            | Screw            |                  |
| 5         | 1              | 322226154/0    | Frontkåpa-svart  | Mask, Black      |                  |
| 6         | 2              | 112727799/0    | Skruv            | Screw            |                  |
| 7         | 1              | 322393640/0    | Handtag-gul      | Handle, Yellow   |                  |
| 8         | 2              | 12154510/0     | Mutter           | Nut              |                  |





## COMBI 53 SQ BW B

| Pos. Fig. | Antal Quantity | Art No Part No | Benämning    | Description    | Anmärkning Notes |
|-----------|----------------|----------------|--------------|----------------|------------------|
| 1         | 1              | 322108295/0    | Lucka        | Stone-Guard    |                  |
| 2         | 1              | 322600195/0    | Output skydd | Ejection Guard |                  |
| 3         | 2              | 112727803/0    | Skruv        | Screw          |                  |
| 4         | 1              | 322806639/0    | Vridpunkt    | Fulcrum Pin    |                  |
| 5         | 2              | 12154510/0     | Mutter       | Nut            |                  |
| 6         | 2              | 18203853/0     | Batteri      | Protection     |                  |
| 7         | 1              | 122450456/0    | Fjäder       | Spring         |                  |
| 8         | 1              | 122517869/0    | Stift        | Pin            |                  |
| 9         | 2              | 12604896/0     | Skruv        | Crown Fastener |                  |

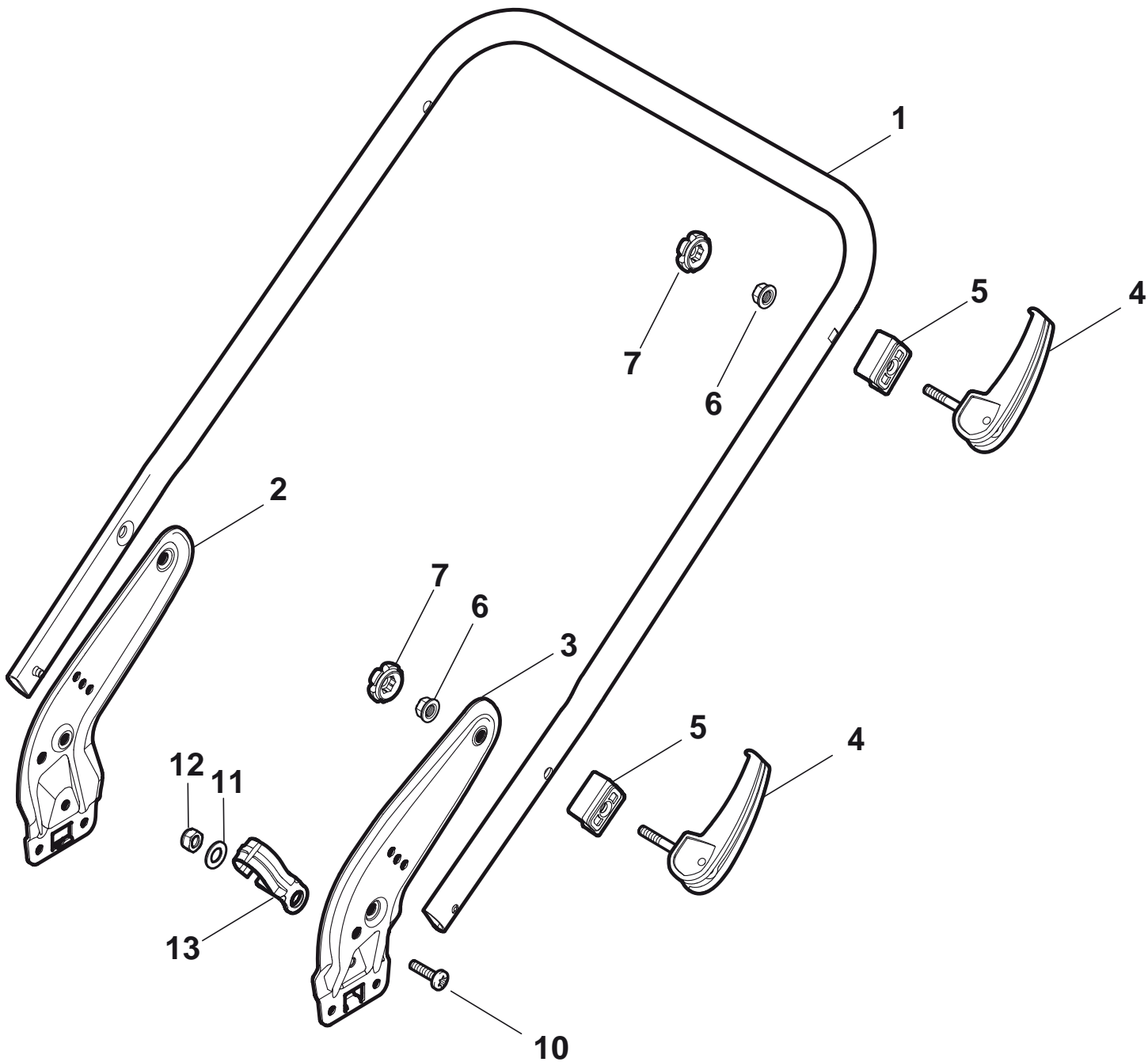






## COMBI 53 SQ BW B

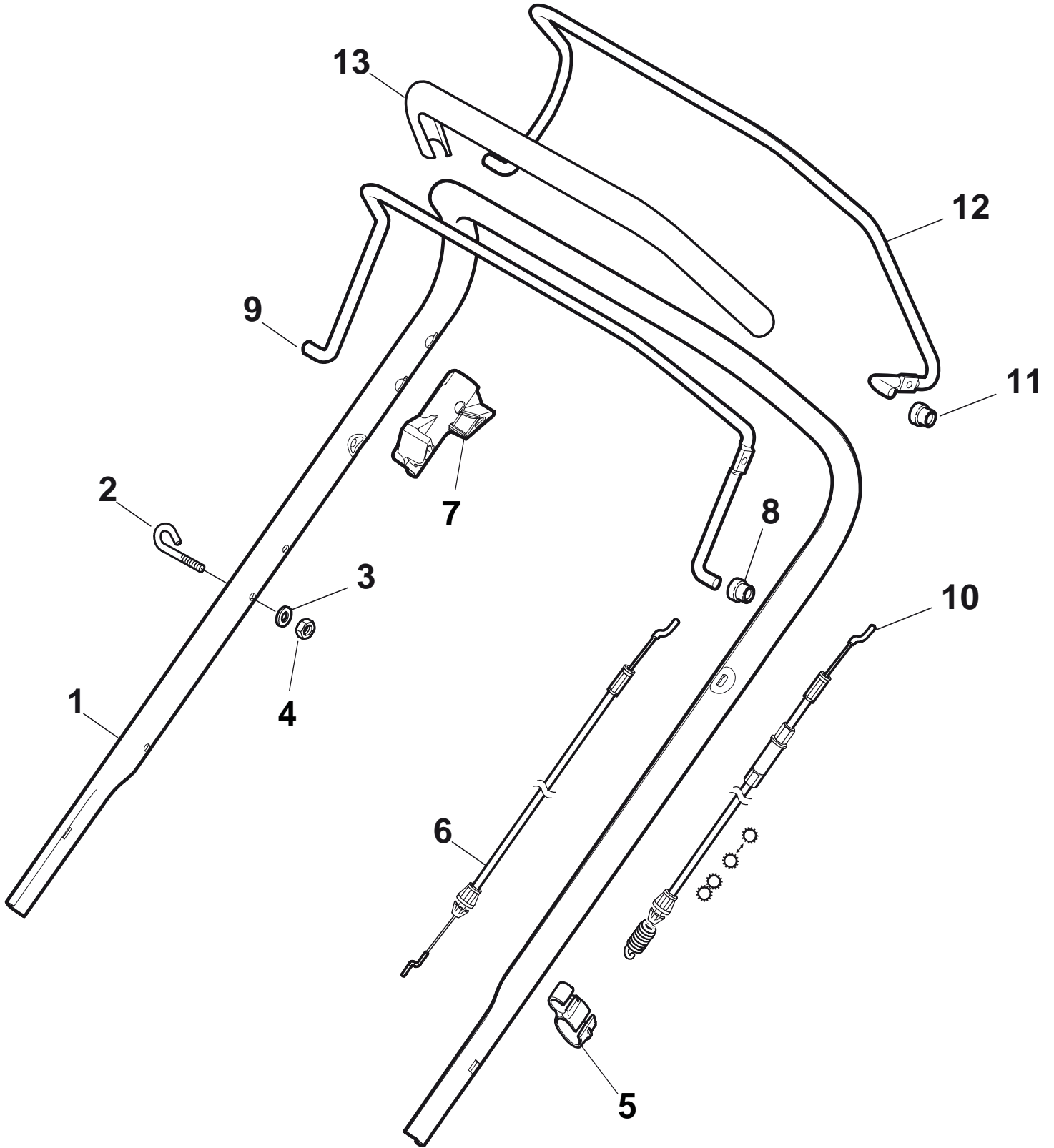
| Pos. Fig. | Antal Quantity | Art No Part No | Benämning | Description      | Anmärkning Notes |
|-----------|----------------|----------------|-----------|------------------|------------------|
| 1         | 1              | 22291150/0     | Handtag   | Rubber Insert    |                  |
| 2         | 1              | 322060197/2    | Remskydd  | Protection, Belt |                  |
| 3         | 3              | 12728530/0     | Skruv     | Screw            |                  |
| 4         | 1              | 22140222/0     | Deflektor | Deflector        |                  |





## COMBI 53 SQ BW B

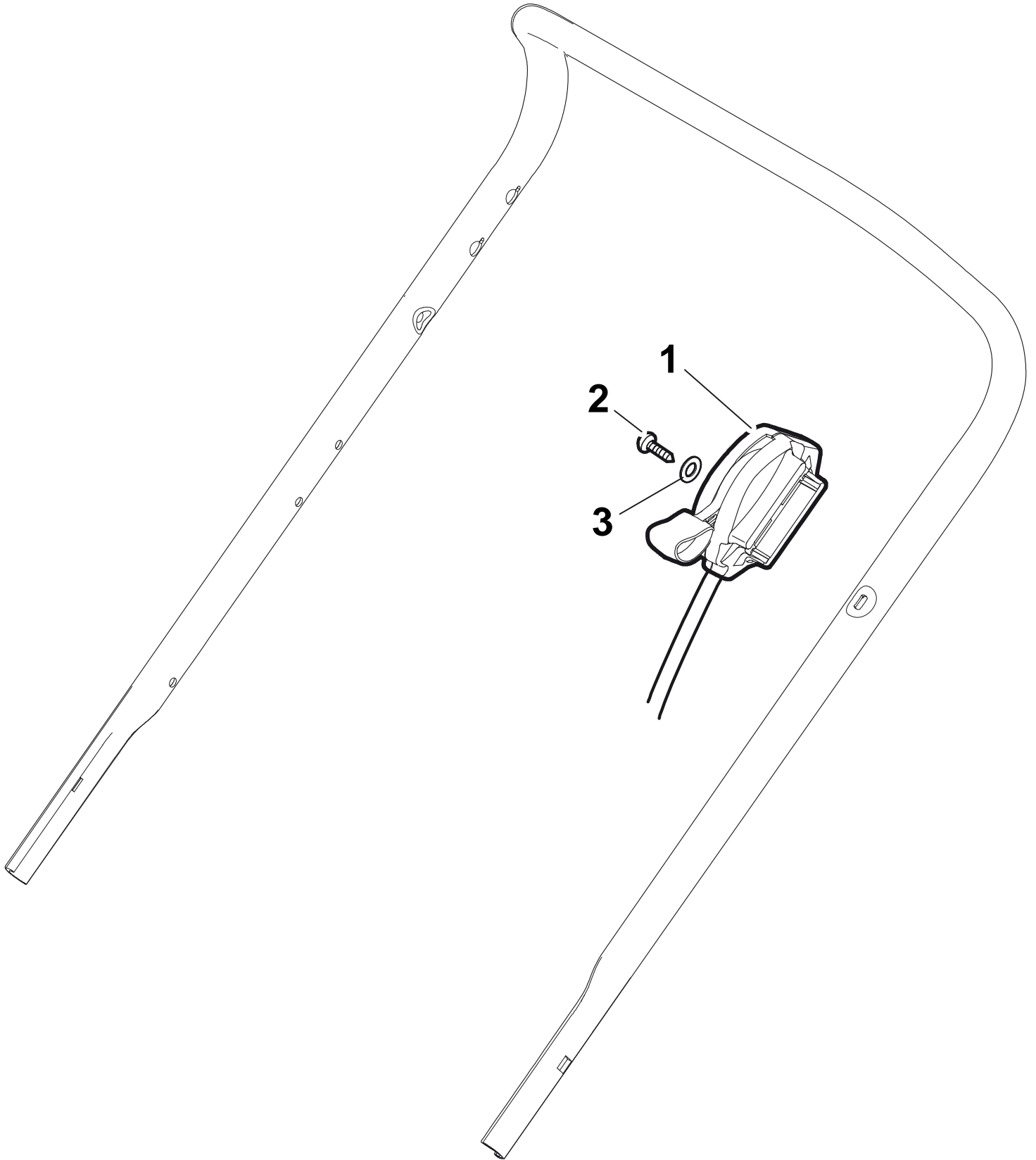
| Pos. Fig. | Antal Quantity | Art No Part No | Benämning      | Description        | Anmärkning Notes |
|-----------|----------------|----------------|----------------|--------------------|------------------|
| 1         | 1              | 381006719/0    | Styre-underdel | Handle, Lower Part |                  |
| 2         | 1              | 381005149/0    | Fäste-hö       | Bracket, R         |                  |
| 3         | 1              | 381005151/0    | Fäste-vä       | Bracket, L         |                  |
| 4         | 4              | 381003253/0    | Handtag        | Handle             |                  |
| 5         | 4              | 322680016/0    | Fäste          | Support            |                  |
| 6         | 4              | 22131750/0     | Mutter         | Nut                |                  |
| 7         | 4              | 322399835/0    | Knopp          | Knob               |                  |
| 10        | 2              | 12760605/0     | Skruv          | Screw              |                  |
| 11        | 2              | 25038002/1     | Bussning       | Bush               |                  |
| 12        | 2              | 12155000/0     | Mutter         | Nut                |                  |
| 13        | 1              | 322192156/0    | Kabelhållare   | Fair Led           |                  |





## COMBI 53 SQ BW B

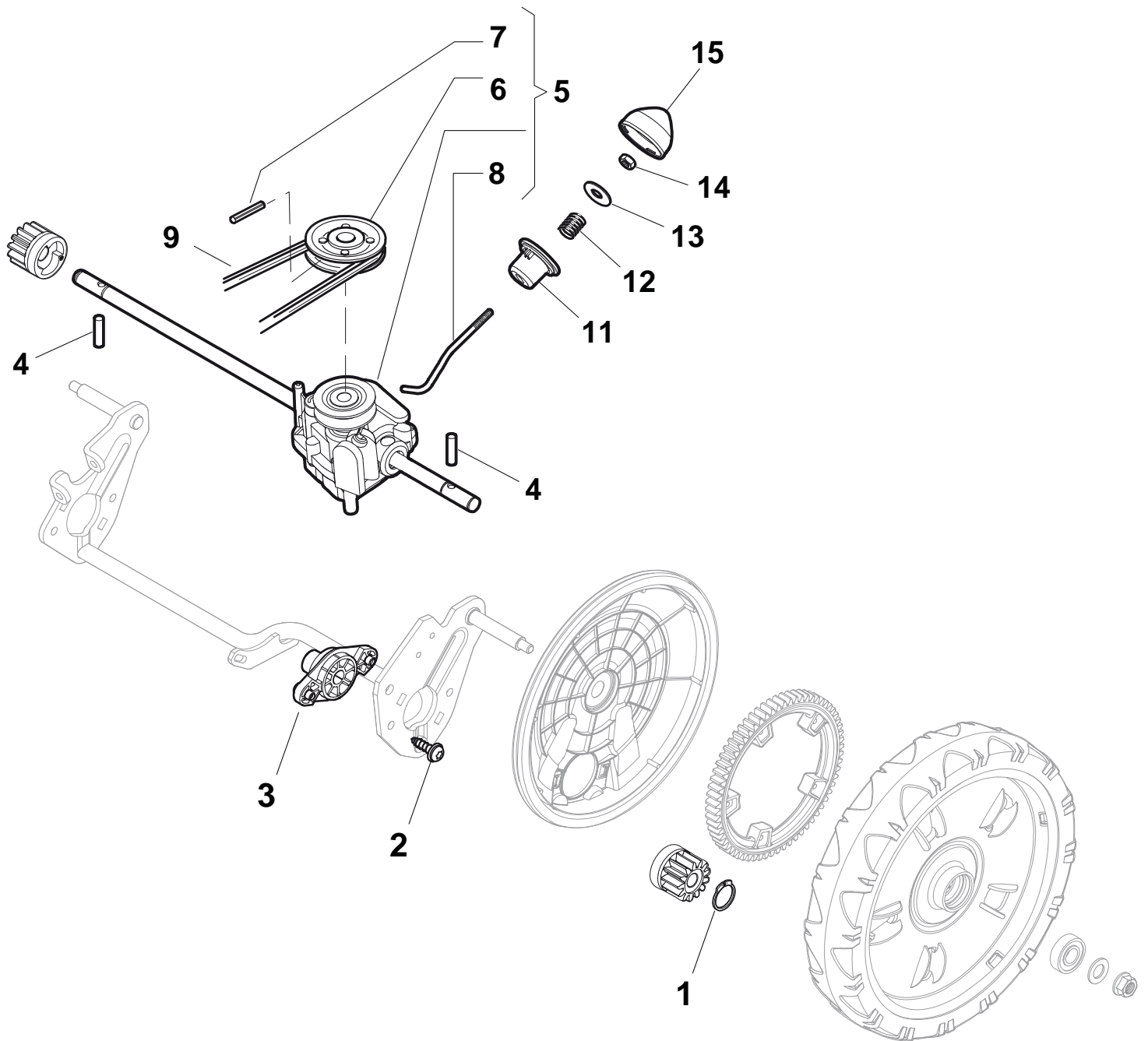
| Pos. Fig. | Antal Quantity | Art No Part No | Benämning      | Description                             | Anmärkning Notes                     |
|-----------|----------------|----------------|----------------|---|--------------------------------------|
| 1         | 1              | 381006807/0    | Styre-överdel  | Handle, Upper Part with sponge handgrip |                                      |
| 1         | 1              | 381006887/0    | Styre-överdel  | Handle, Upper Part                      |                                      |
| 2         | 1              | 22430313/0     | Fjäder         | Guide Spring                            |                                      |
| 3         | 1              | 12521330/0     | Bricka         | Washer                                  |                                      |
| 4         | 1              | 12154510/0     | Mutter         | Nut                                     |                                      |
| 5         | 1              | 118390020/0    | Startkabel     | Fairlead                                |                                      |
| 6         | 1              | 181030053/0    | Motorbromswire | Cable, Thread Eng. Brake                |                                      |
| 7         | 1              | 322545204/0    | Vridpunkt      | Fulcrum Pin                             |                                      |
| 8         | 2              | 22041966/0     | Bussning       | Bush                                    |                                      |
| 9         | 1              | 181003300/0    | Transmission   | Lever, Engine Brake                     |                                      |
| 10        | 1              | 381030051/0    | Kopplingswire  | Cable, Rear Drive                       |                                      |
| 11        | 2              | 22041966/0     | Bussning       | Bush                                    |                                      |
| 12        | 1              | 181003301/0    | Reglagebygel   | Lever, Driving                          |                                      |
| 13        | 1              | 22291050/0     | Hylsa          | Handgrip Black                          | only for handle part no. 381006887/0 |
| 14        | 1              | 22551640/0     | Plåt           | Plate                                   |                                      |
| 15        | 1              | 12728640/0     | Skruv          | Screw                                   |                                      |





## COMBI 53 SQ BW B

| Pos. Fig. | Antal Quantity | Art No Part No | Benämning | Description    | Anmärkning Notes |
|-----------|----------------|----------------|-----------|----------------|------------------|
| 1         | 1              | 181005502/1    | Gaswire   | Throttle Cable |                  |
| 2         | 1              | 12735103/0     | Skruv     | Screw          |                  |
| 3         | 1              | 12523040/0     | Bricka    | Washer         |                  |

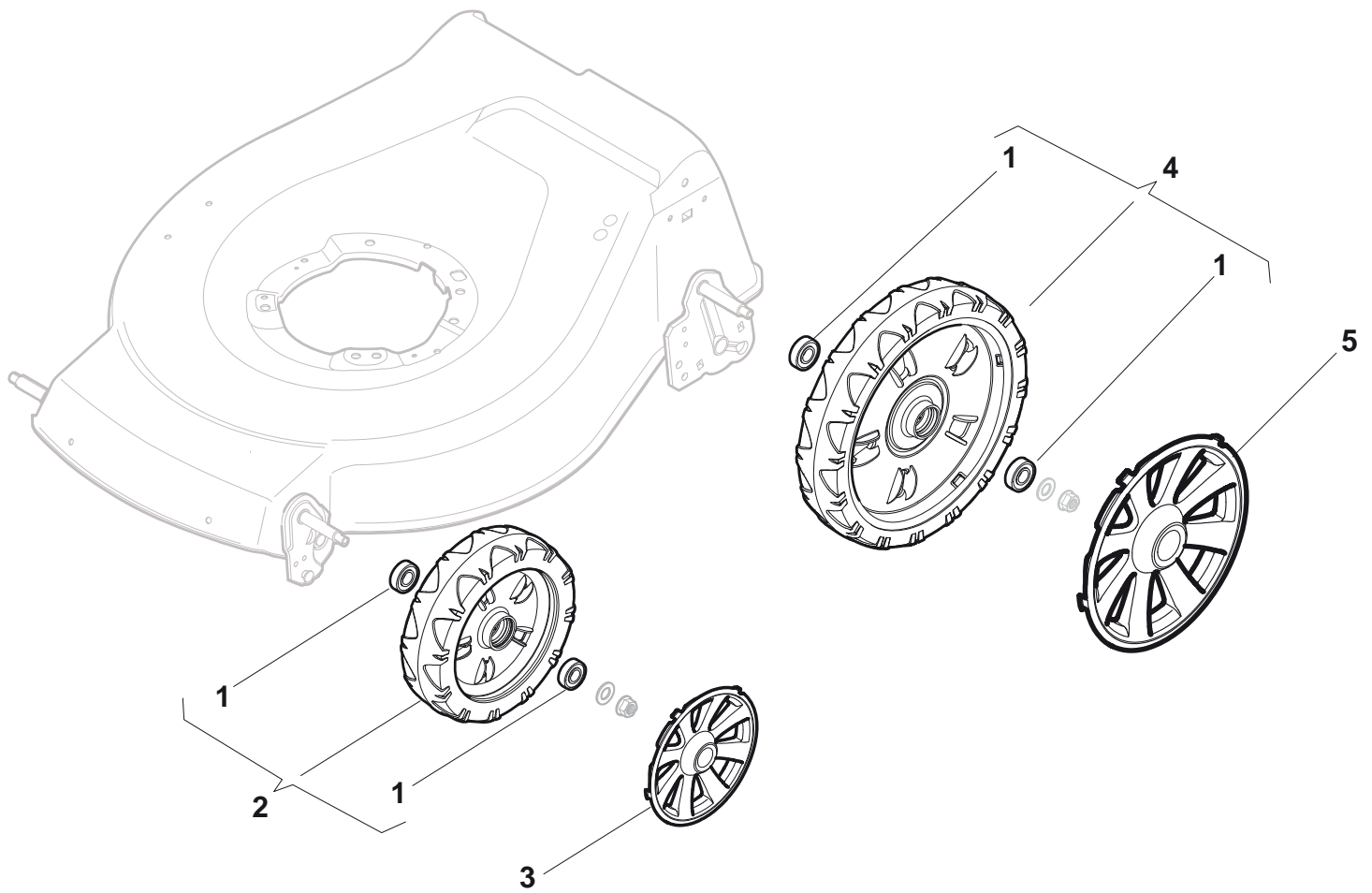






## COMBI 53 SQ BW B

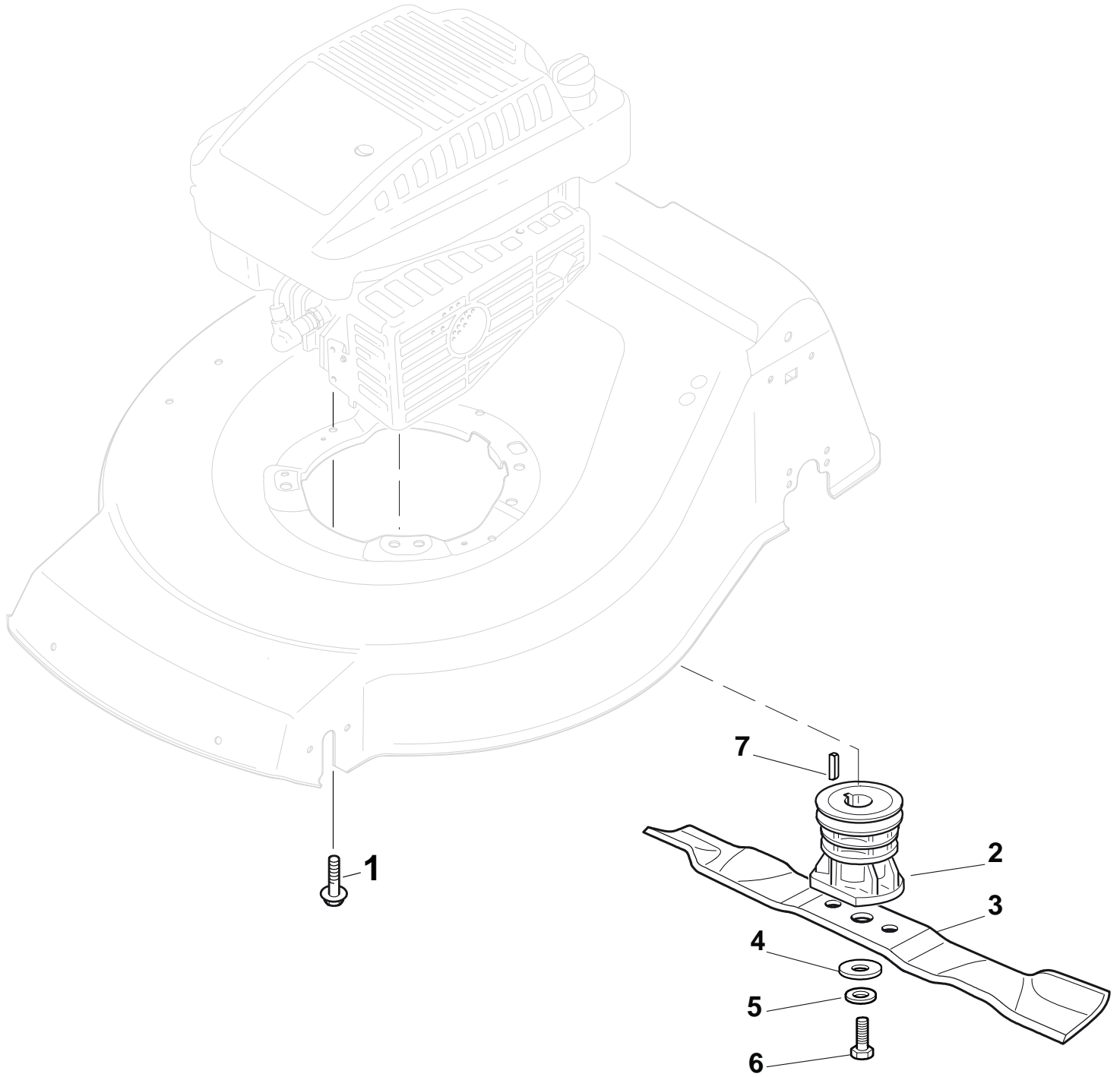
| Pos. Fig. | Antal Quantity | Art No Part No | Benämning      | Description    | Anmärkning Notes |
|-----------|----------------|----------------|----------------|----------------|------------------|
| 1         | 2              | 12608600/0     | Seeger         | Seeger         |                  |
| 2         | 4              | 112728697/0    | Skruv          | Screw          |                  |
| 3         | 2              | 322042063/0    | Bussning       | Bush           |                  |
| 4         | 2              | 22753000/0     | Stift          | Pin            |                  |
| 5         | 1              | 81003092/0     | Transmission   | Gear Box       |                  |
| 6         | 1              | 22601904/0     | Remskiva       | Pulley         |                  |
| 7         | 1              | 12645700/0     | Stift          | Pin            |                  |
| 8         | 1              | 22033283/0     | Justerstång    | Adjustment Rod |                  |
| 9         | 1              | 35063902/0     | Drivrem Z 29,5 | Belt Z 29.5    |                  |
| 11        | 1              | 22041957/1     | Bussning       | Bush           |                  |
| 12        | 1              | 22450063/0     | Fjäder         | Spring         |                  |
| 13        | 1              | 22680009/0     | Bricka         | Washer         |                  |
| 14        | 1              | 12154510/0     | Mutter         | Nut            |                  |
| 15        | 1              | 22110230/0     | Huvstöd        | Cap            |                  |





## COMBI 53 SQ BW B

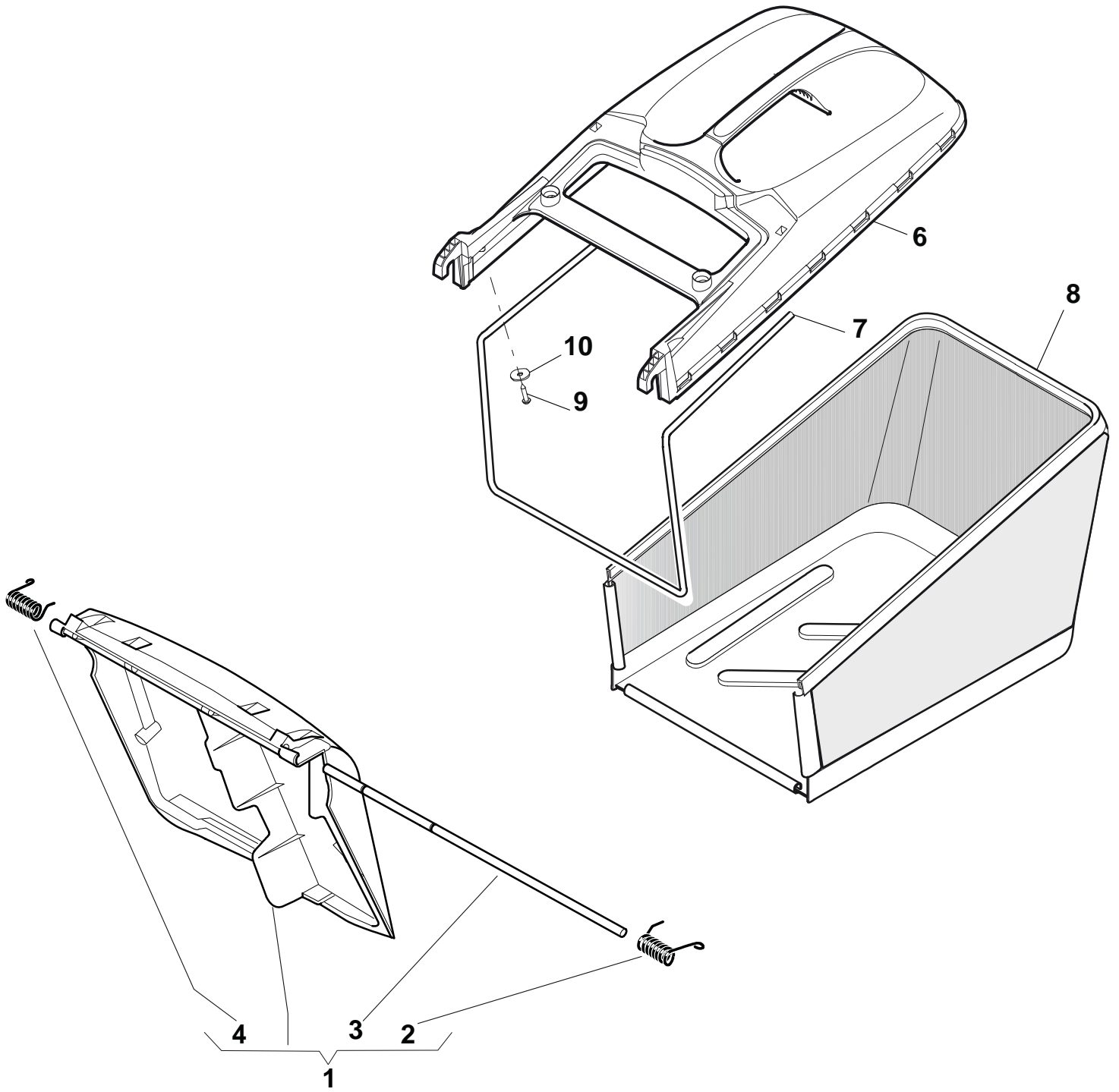
| Pos. Fig. | Antal Quantity | Art No Part No | Benämning  | Description | Anmärkning Notes |
|-----------|----------------|----------------|------------|-------------|------------------|
| 1         | 8              | 19216035/0     | Låsring    | Bearing     |                  |
| 2         | 2              | 381007416/1    | Hjul Ø 200 | Ruota Ø 200 |                  |
| 3         | 2              | 322110645/0    | Navkapsel  | Hub Cap     |                  |
| 4         | 2              | 381007417/1    | Hjul Ø 280 | Ruota Ø 280 |                  |
| 5         | 2              | 322110646/0    | Navkapsel  | Hub Cap     |                  |





## COMBI 53 SQ BW B

| Pos. Fig. | Antal Quantity | Art No Part No | Benämning    | Description                        | Anmärkning Notes |
|-----------|----------------|----------------|--------------|------------------------------------|------------------|
| 1         | 3              | 112735108/1    | Skruv        | Screw                              |                  |
| 2         | 1              | 122465607/3    | Fläkt Ø 22.2 | Hub With Pulley, Crankshaft Ø 22.2 |                  |
| 3         | 1              | 81004381/1     | Kniv         | Blade Standard                     |                  |
| 4         | 1              | 22160400/0     | Dammskydd    | Dust Cover                         |                  |
| 5         | 1              | 12523080/0     | Bricka       | Washer                             |                  |
| 6         | 1              | 12735698/0     | Skruv        | Screw                              |                  |
| 7         | 1              | 12139100/0     | Kil          | Feather, Crankshaft Ø 22.2         |                  |





## COMBI 53 SQ BW B

| Pos. Fig. | Antal Quantity | Art No Part No | Benämning          | Description      | Anmärkning Notes |
|-----------|----------------|----------------|--------------------|------------------|------------------|
| 1         | 1              | 381008081/1    | Lucka              | Stone-Guard      |                  |
| 2         | 1              | 122450466/0    | Fjäder             | L Spring         |                  |
| 3         | 1              | 122517882/0    | Stift              | Pin              |                  |
| 4         | 1              | 122450465/0    | Fjäder             | R Spring         |                  |
| 6         | 1              | 22486101/0     | Uppsamlare-överdel | Grass-Box, Upper |                  |
| 7         | 1              | 22608525/0     | Trådbygel          | Stiffening Lower |                  |
| 8         | 1              | 81002211/0     | Uppsamlingsäck     | Box, Fabric      |                  |
| 9         | 2              | 12728680/0     | Skruv              | Screw            |                  |
| 10        | 2              | 12523050/0     | Bricka             | Washer           |                  |