

Genuine Spare Parts

www.stiga.com

COMBI 53 S H Model Year 2012

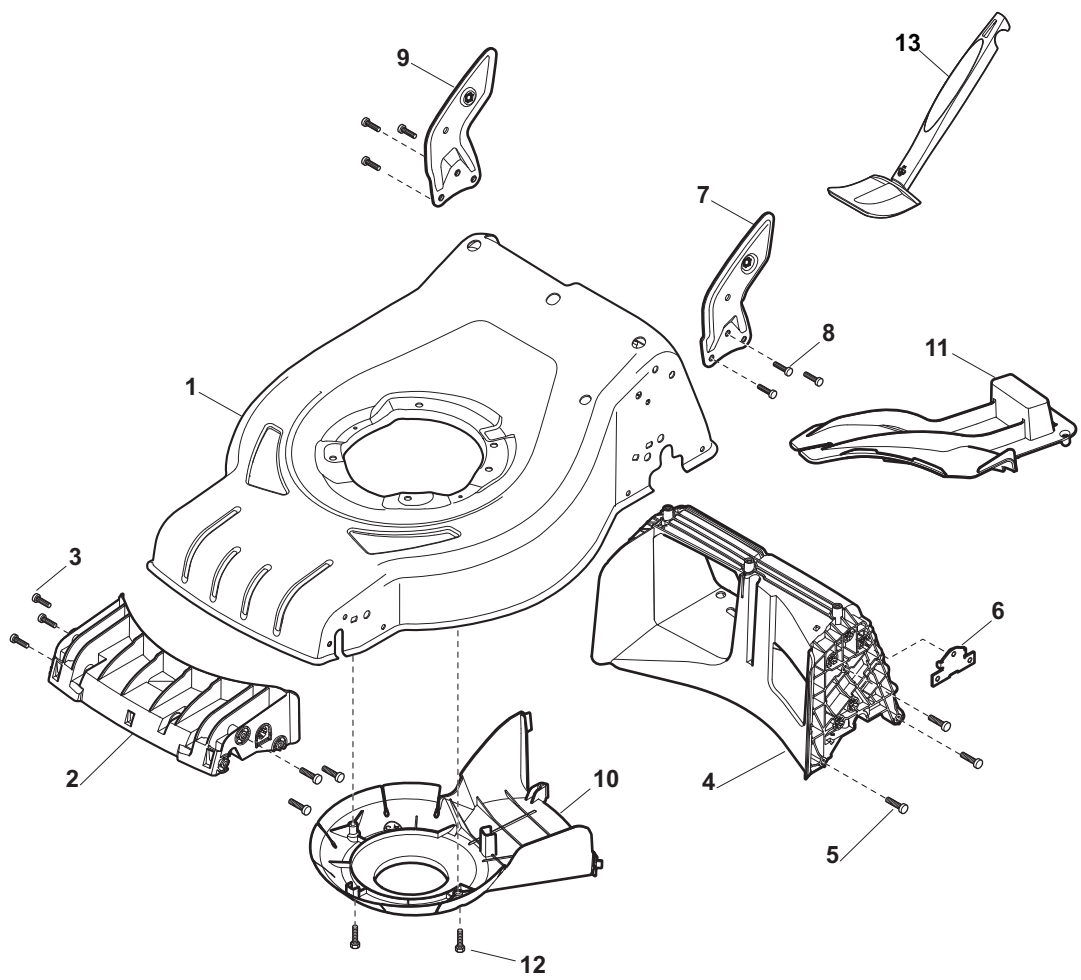
- Use GLOBAL GARDEN PRODUCT Genuine Spare Parts specified in the parts list for repair and/or replacement.
- The contents described in the parts list may change due to improvement.
- The drawings of the spare parts are only indicative and might not represent the part in question exactly.
- The indications "right" - "left" - "front" - "rear" refer to the position of the operator when using the machine.
- When placing orders of parts for repair and/or replacement, make sure that the illustrated parts list is the one applying to the machine's year of manufacture, as shown on the identification plate attached to the machine.

© Copyright 2012 Global Garden Products

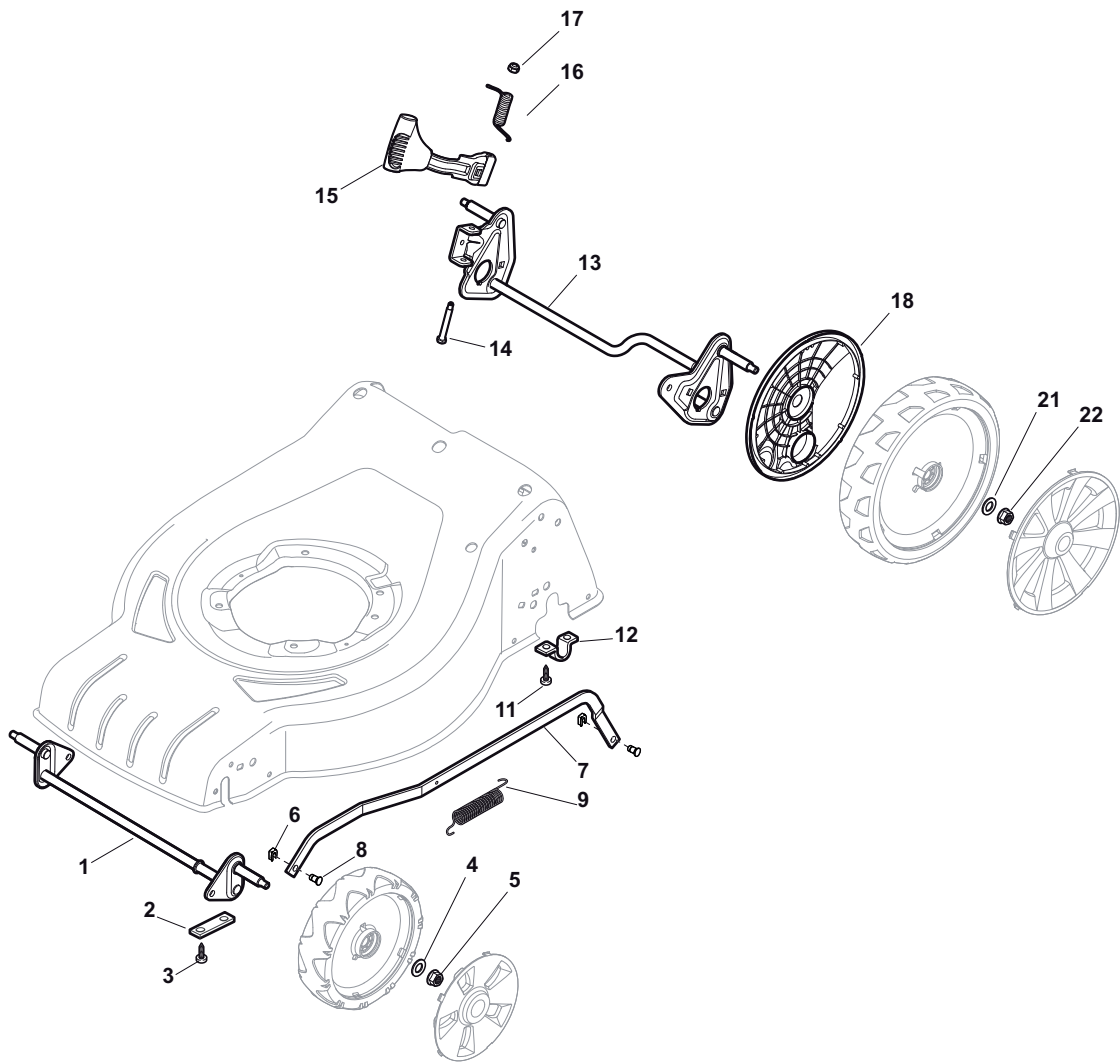
All content is subject to copyright by Global Garden Products and may not be reproduced in whole or in part by any means, electronic or otherwise, without prior written approval.

THIS INFORMATION IS NOT INTENDED FOR SALE OR RESALE, AND THIS NOTICE MUST REMAIN ON ALL COPIES.

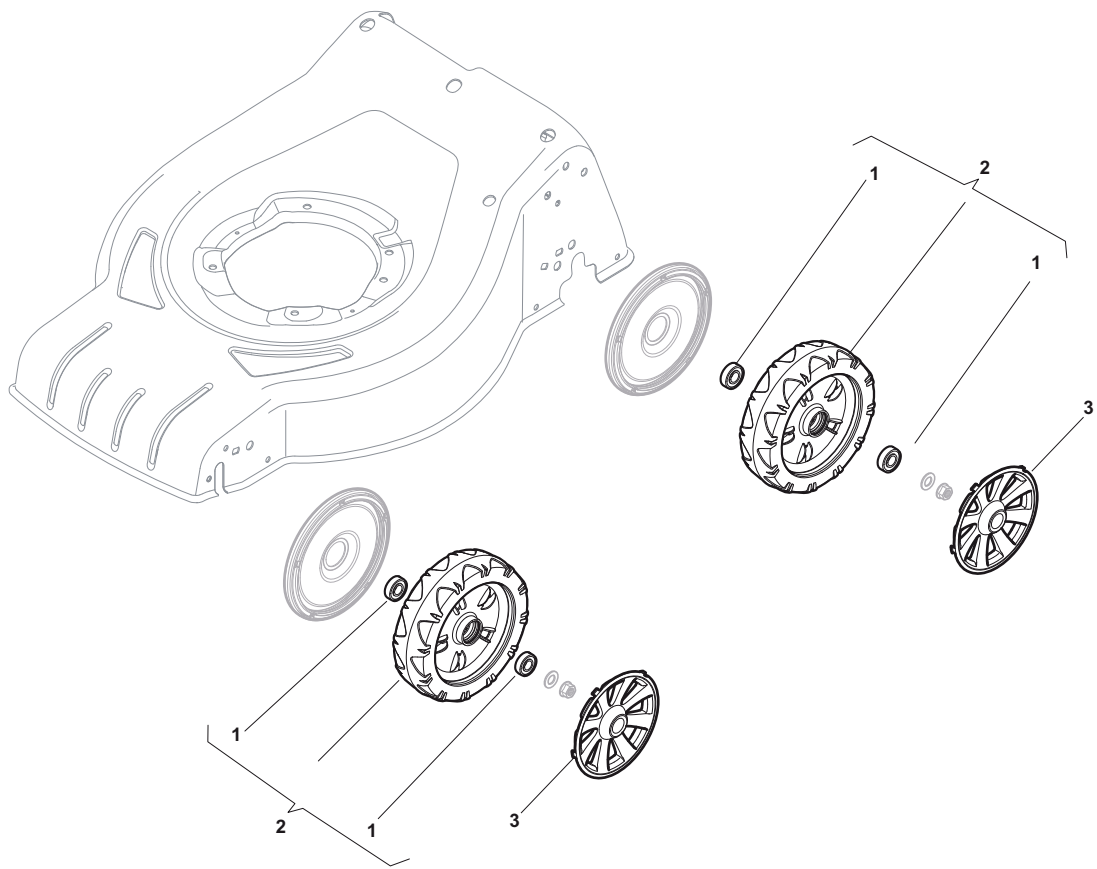




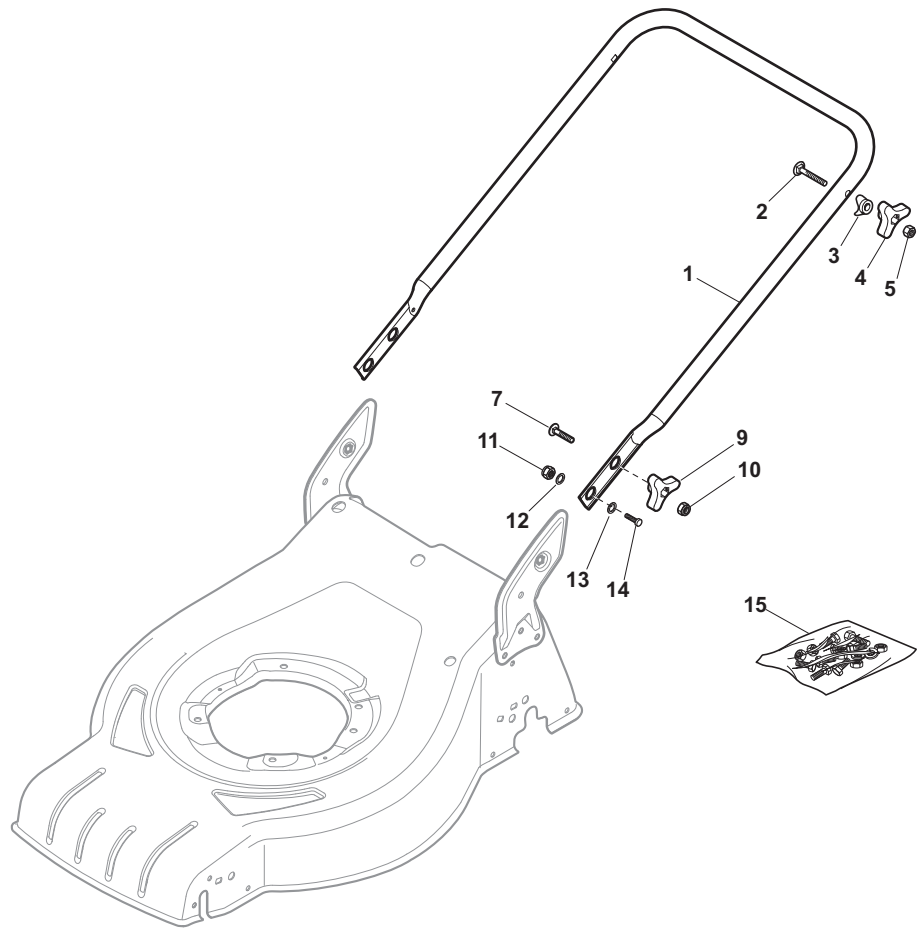
Position	Part No.	Q.Ty	Description
1	381004550/0	1	Deck Black
2	322108308/0	1	Front Conveyor Assy
3	112728699/0	6	Screw
4	322108302/0	1	Rear Conveyor Assy
5	112728699/0	6	Screw
6	322545213/0	2	Plate
7	381005167/0	1	Bracket, L
8	112727801/0	6	Screw
9	381005165/0	1	Bracket, R
10	322060250/0	1	Protection, Belt
11	322140244/0	1	Deflector
12	12728530/0	2	Screw
13	113300215/0	1	Scraper



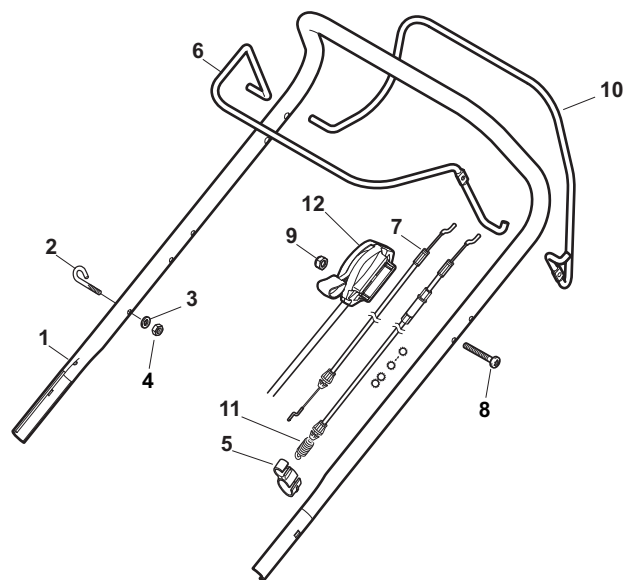
Position	Part No.	Q.Ty	Description
1	381302853/0	1	Axle, Front Wheels
2	22545142/0	2	Plate
3	112728698/0	4	Screw
4	12521350/0	2	Washer
5	12155000/0	2	Nut
6	112436051/0	2	Plate
7	322869679/0	1	Rod, Height Adjustment
8	122519820/0	2	Pin
9	122446193/0	1	Spring
11	112728698/0	4	Screw
12	22545152/0	2	Plate
13	381302849/0	1	Axle, Rear Wheels
14	122534131/0	1	Pin
15	381003357/0	1	Lever, Height Adjustment
16	122446192/0	1	Spring
17	12154510/0	1	Nut
18	322600205/0	2	Wheel Protection
21	12521350/0	2	Washer
22	12155000/0	2	Nut



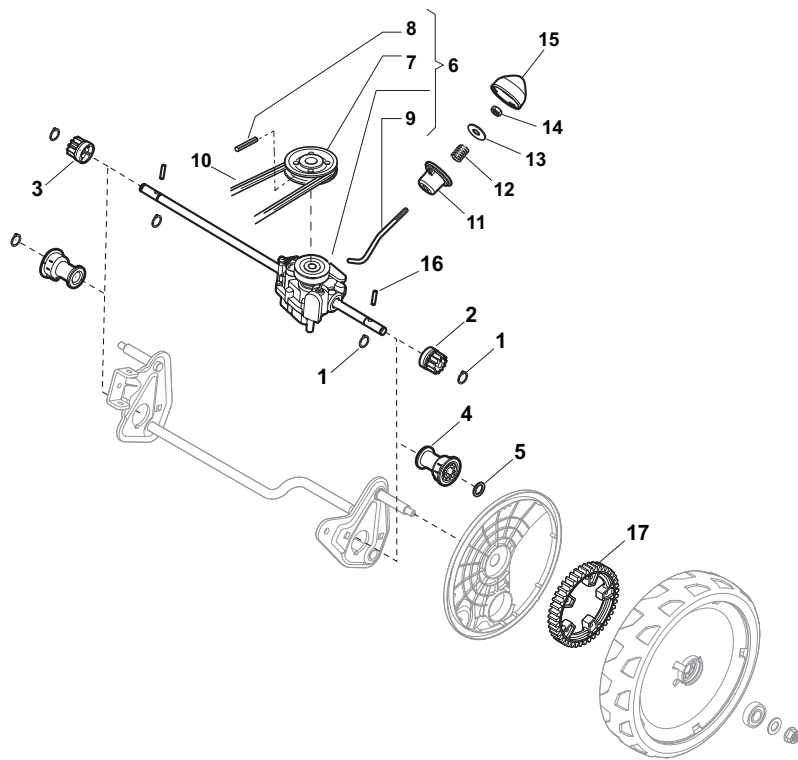
Position	Part No.	Q.Ty	Description
1	19216035/0	8	Bearing
2	381007416/0	4	Wheel Ø 200
3	322110645/0	4	Hub Cap Grey



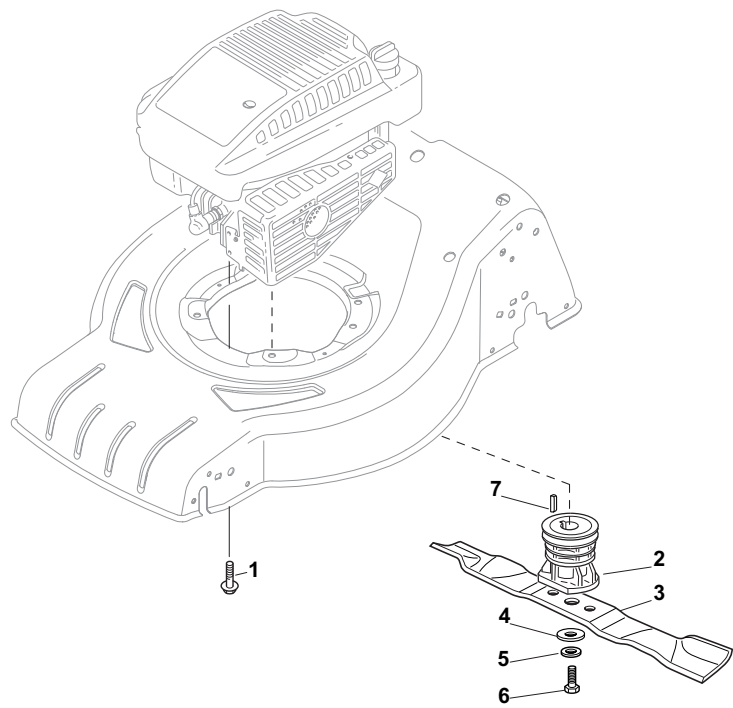
Position	Part No.	Q.Ty	Description
1	381006785/0	1	Handle, Lower Part
2	112819110/0	2	Screw
3	122671651/0	2	Washer
4	22399900/0	2	Knob
5	12293200/0	2	Nut
7	12818900/0	2	Screw
9	22399900/0	2	Knob
10	12293200/0	2	Nut
11	12155000/0	2	Nut
12	12521350/0	2	Washer
13	12369500/0	2	Elastic Washer
14	12760605/0	2	Screw
15	381008691/0	1	Outfit, Screws



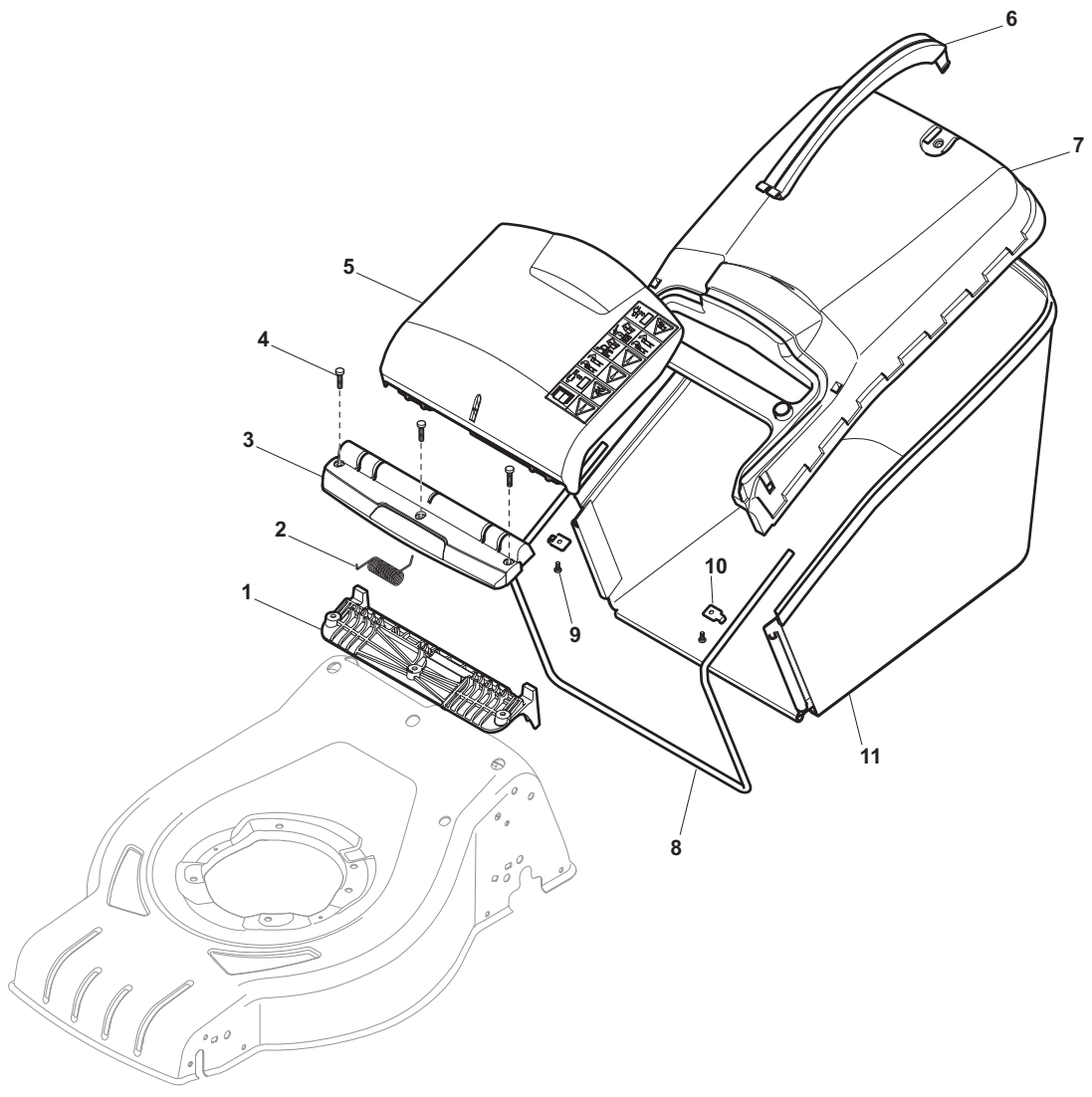
Position	Part No.	Q.Ty	Description
1	381006739/0	1	Handle, Upper Part
1	381006745/0	1	Handle, Upper Part with sponge handgrip
2	22430313/0	1	Guide Spring
3	12521330/0	1	Washer
4	12154510/0	1	Nut
5	118390020/0	1	Fairlead
6	181003363/1	1	Lever, Engine Brake Black
7	181030088/0	1	Cable, Thread Engine Brake
8	12727783/0	1	Screw
9	12154510/0	1	Nut
10	181003364/0	1	Lever, Driving Black
11	381030051/0	1	Cable, Rear Drive
12	181005517/0	1	Throttle Cable



Position	Part No.	Q.Ty	Description
1	12608600/0	4	Seeger
2	22570120/1	1	Pinion L
3	22570110/1	1	Pinion R
4	322042066/0	2	Bush
5	112521371/0	2	Washer
6	81003092/0	1	Gear Box
7	22601904/0	1	Pulley
8	12645700/0	1	Pin
9	22033283/0	1	Adjustment Rod
10	135064196/0	1	Belt Z 27
11	22041957/1	1	Bush
12	22450063/0	1	Spring
13	22680009/0	1	Washer
14	12154510/0	1	Nut
15	22110230/0	1	Cap
16	22753000/0	2	Pin
17	322120114/0	2	Ring Gear



Position	Part No.	Q.Ty	Description
1	112735108/1	3	Screw
2	122465608/2	1	Hub, Crankshaft Ø 25
3	181004459/0	1	Blade Standard
4	22160400/0	1	Elastic Washer
5	12523080/0	1	Washer
6	12735698/0	1	Screw
7	12139150/0	1	Feather, Crankshaft Ø 25



Position	Part No.	Q.Ty	Description
1	322785331/0	1	Support
2	122450464/0	1	Spring
3	322109556/0	1	Cover Yellow
4	112728699/0	3	Screw
5	322600214/1	1	Stone-Guard Yellow
6	322393646/0	1	Handle
7	322486264/0	1	Grassbox Upper Part Yellow
8	122608561/0	1	Stiffening Lower
9	12728692/0	2	Plate
10	322545159/0	2	Screw
11	181002318/0	1	Box, Fabric