

# Genuine Spare Parts

www.stiga.com

## COMBI 48 B Model Year 2012

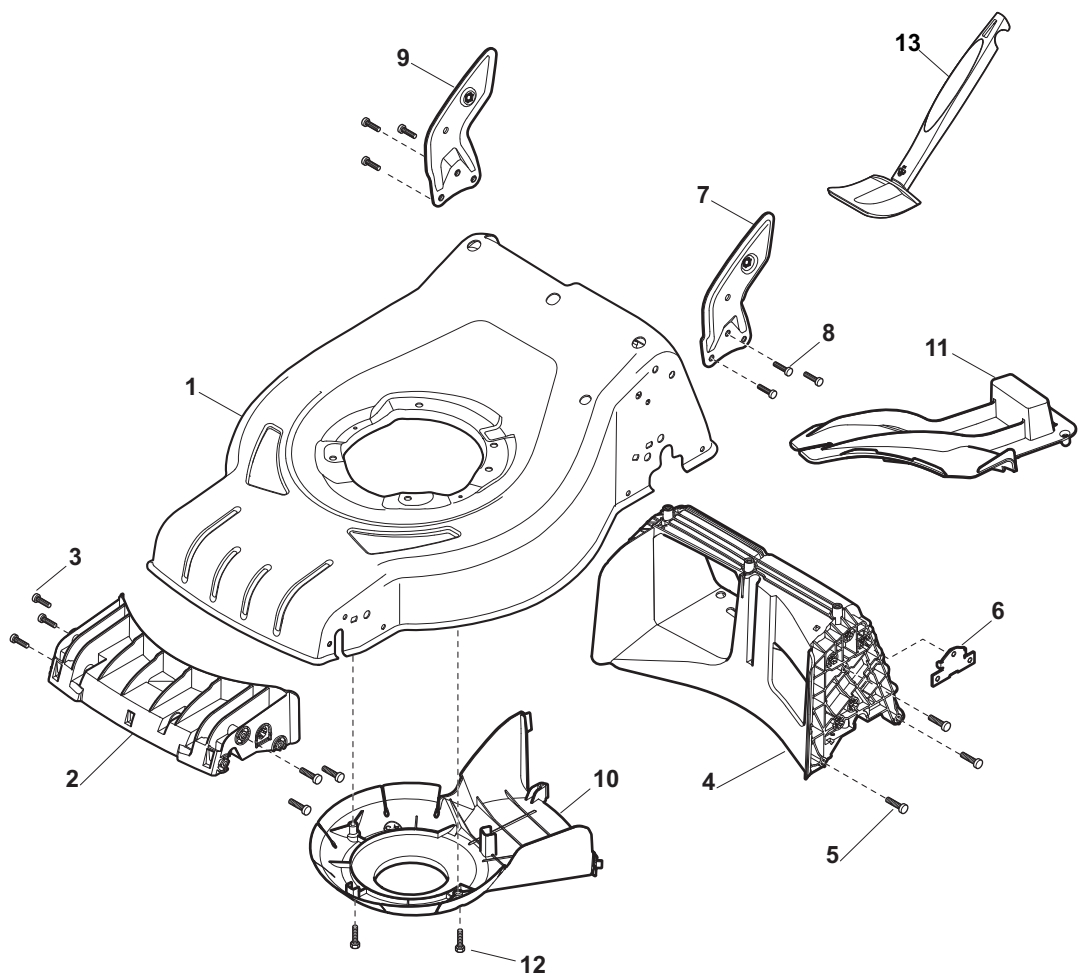
- Use GLOBAL GARDEN PRODUCT Genuine Spare Parts specified in the parts list for repair and/or replacement.
- The contents described in the parts list may change due to improvement.
- The drawings of the spare parts are only indicative and might not represent the part in question exactly.
- The indications "right" - "left" - "front" - "rear" refer to the position of the operator when using the machine.
- When placing orders of parts for repair and/or replacement, make sure that the illustrated parts list is the one applying to the machine's year of manufacture, as shown on the identification plate attached to the machine.

© Copyright 2012 Global Garden Products

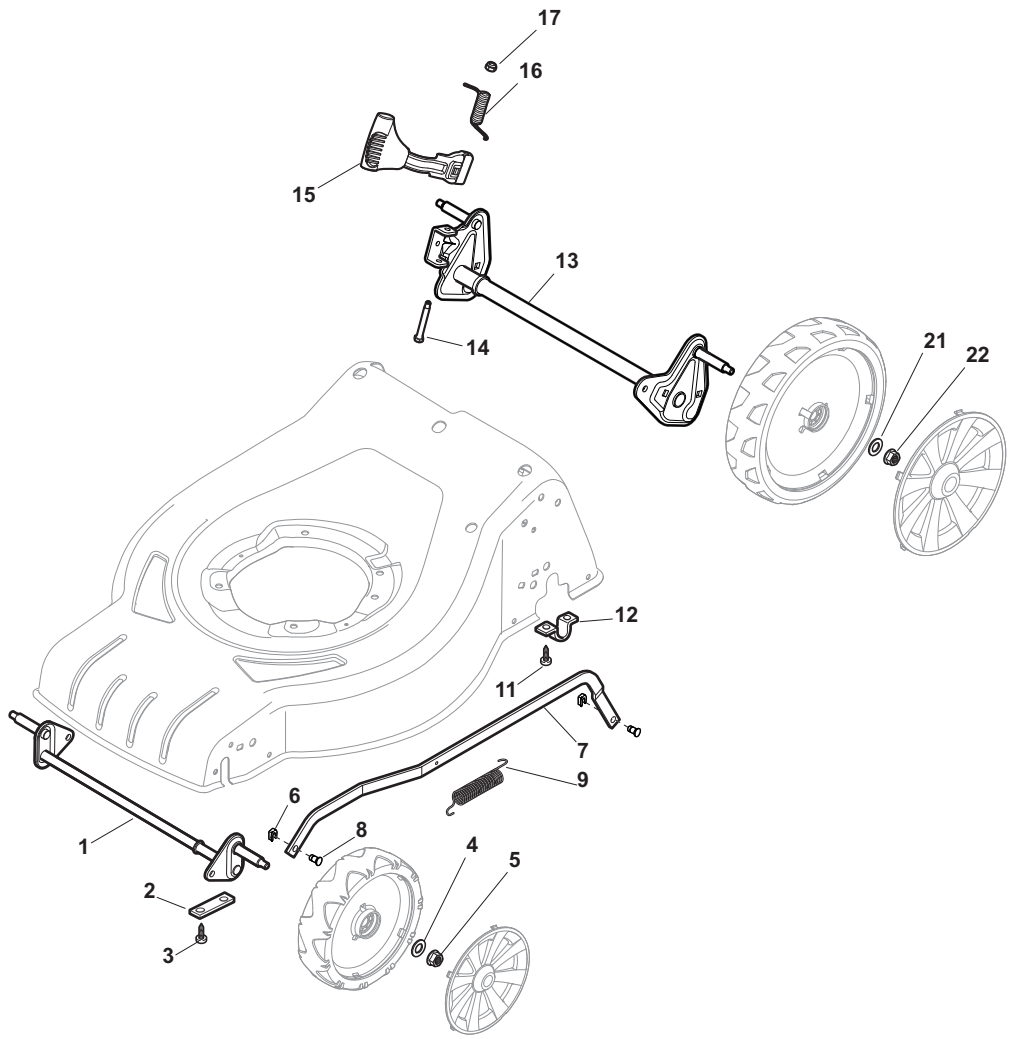
All content is subject to copyright by Global Garden Products and may not be reproduced in whole or in part by any means, electronic or otherwise, without prior written approval.

THIS INFORMATION IS NOT INTENDED FOR SALE OR RESALE, AND THIS NOTICE MUST REMAIN ON ALL COPIES.

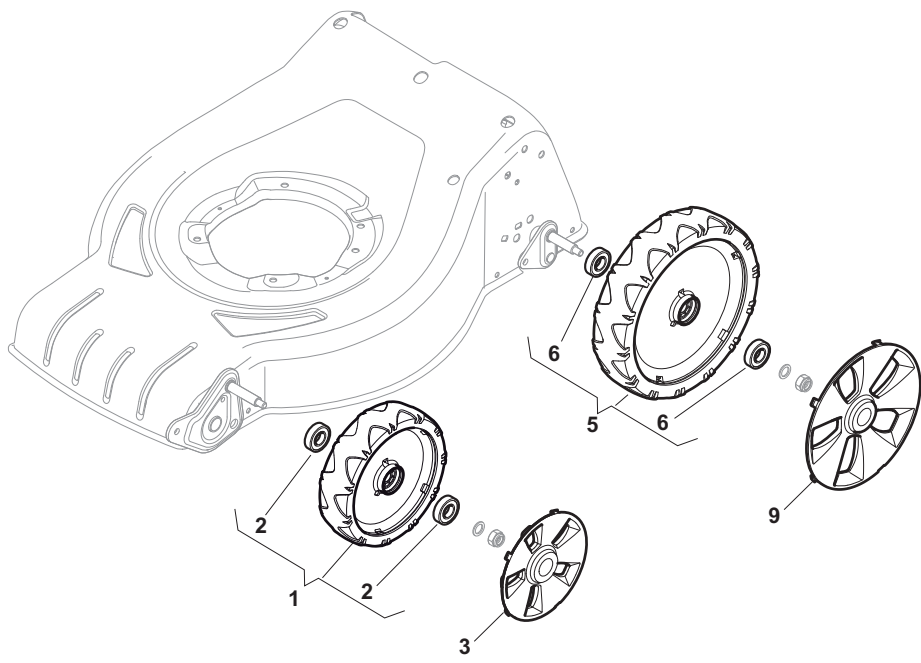




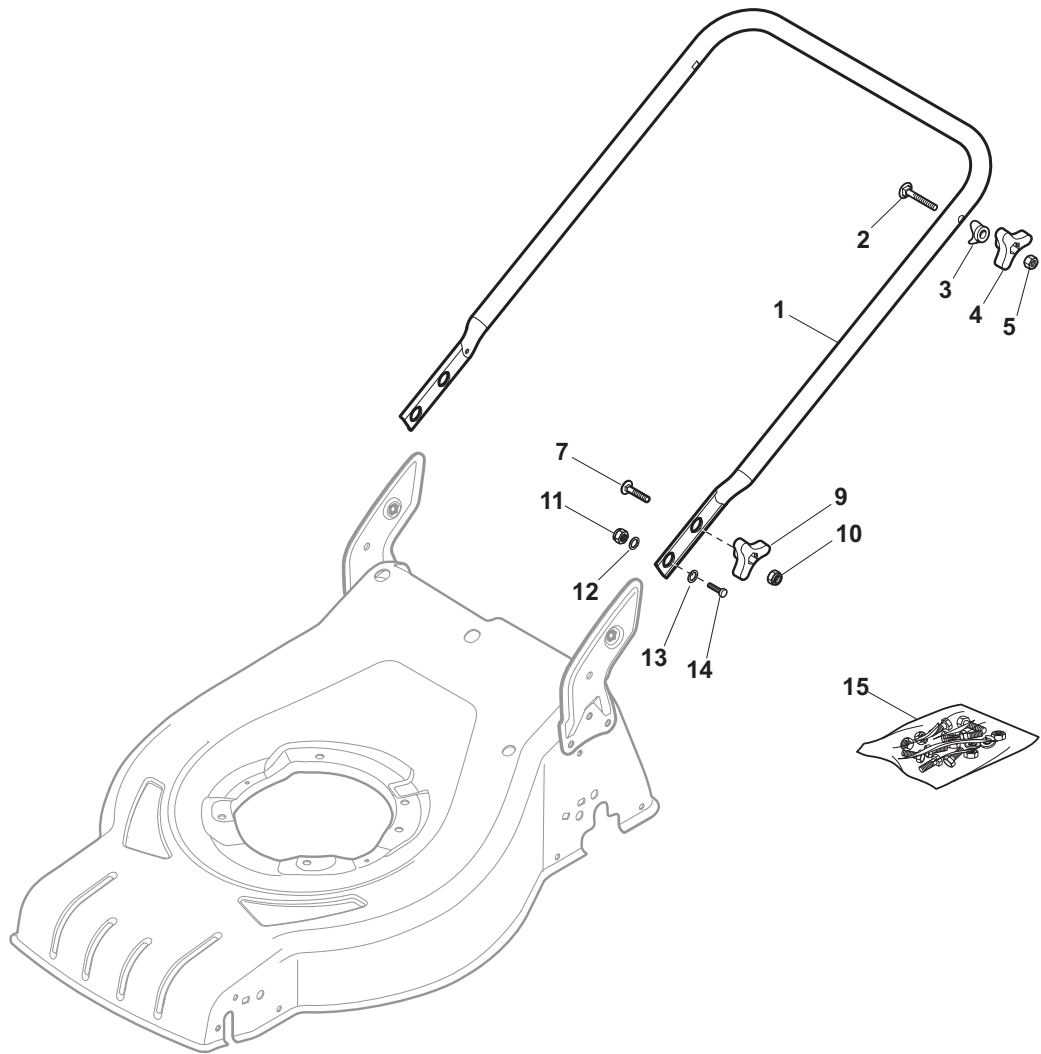
Position	Part No.	Q.Ty	Description
1	381004024/0	1	Deck Black
2	322108301/0	1	Convogl. Anteriore
3	112728699/0	6	Vite
4	322108302/0	1	Convogl. Posteriore
5	112728699/0	6	Vite
6	322545213/0	2	Piastrina
7	381005139/0	1	Staffa Sx
8	112727801/0	6	Vite
9	381005137/0	1	Staffa Dx
10	322060242/0	1	Carter Cinghia
11	322140239/0	1	Deflettore
12	12728530/0	2	Vite
13	113300215/0	1	Scraper



Position	Part No.	Q.Ty	Description
1	381302821/0	1	Axle, Front Wheels
2	22545142/0	2	Plate
3	112728698/0	4	Screw
4	12521350/0	2	Washer
5	12155000/0	2	Nut
6	112436051/0	2	Plate
7	322869683/0	1	Rod, Height Adjustment
8	122519820/0	2	Pin
9	122446193/0	1	Spring
11	112728698/0	4	Screw
12	22545152/0	2	Plate
13	381302815/0	1	Axle, Rear Wheels
14	122534131/0	1	Pin
15	381003357/0	1	Lever, Height Adjustment
16	122446192/0	1	Spring
17	12154510/0	1	Nut
21	12521350/0	2	Washer
22	12155000/0	2	Nut

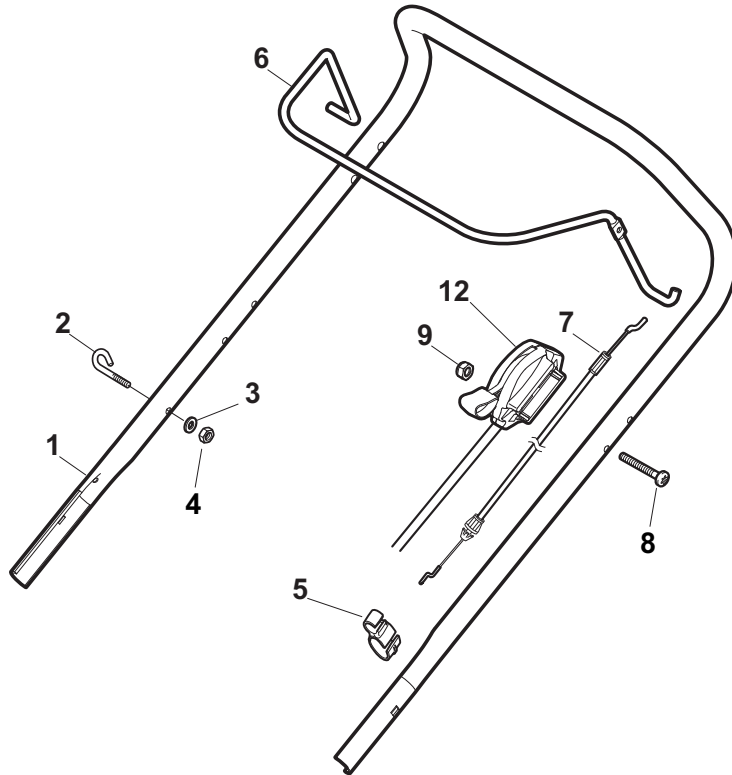


Position	Part No.	Q.Ty	Description
1	381007450/0	2	Wheel Ø 180
2	19216035/0	4	Bearing
3	322110638/0	2	Hub Cap Grey
5	381007456/0	2	Wheel Ø 240
6	19216035/0	4	Bearing
9	322110639/0	2	Hub Cap Grey

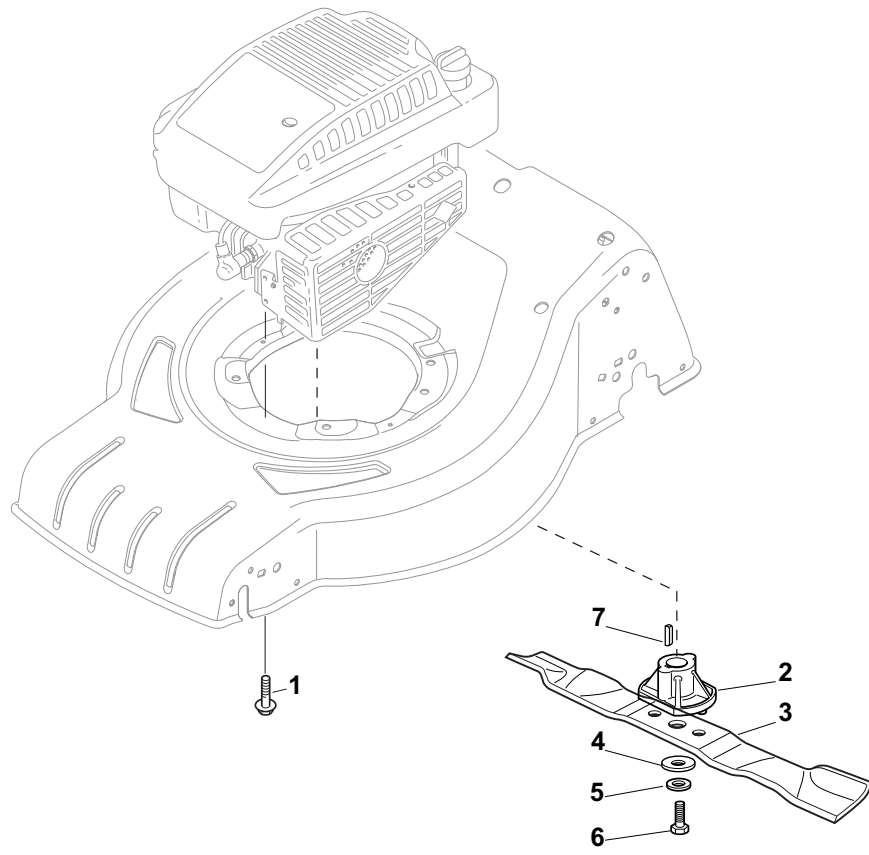




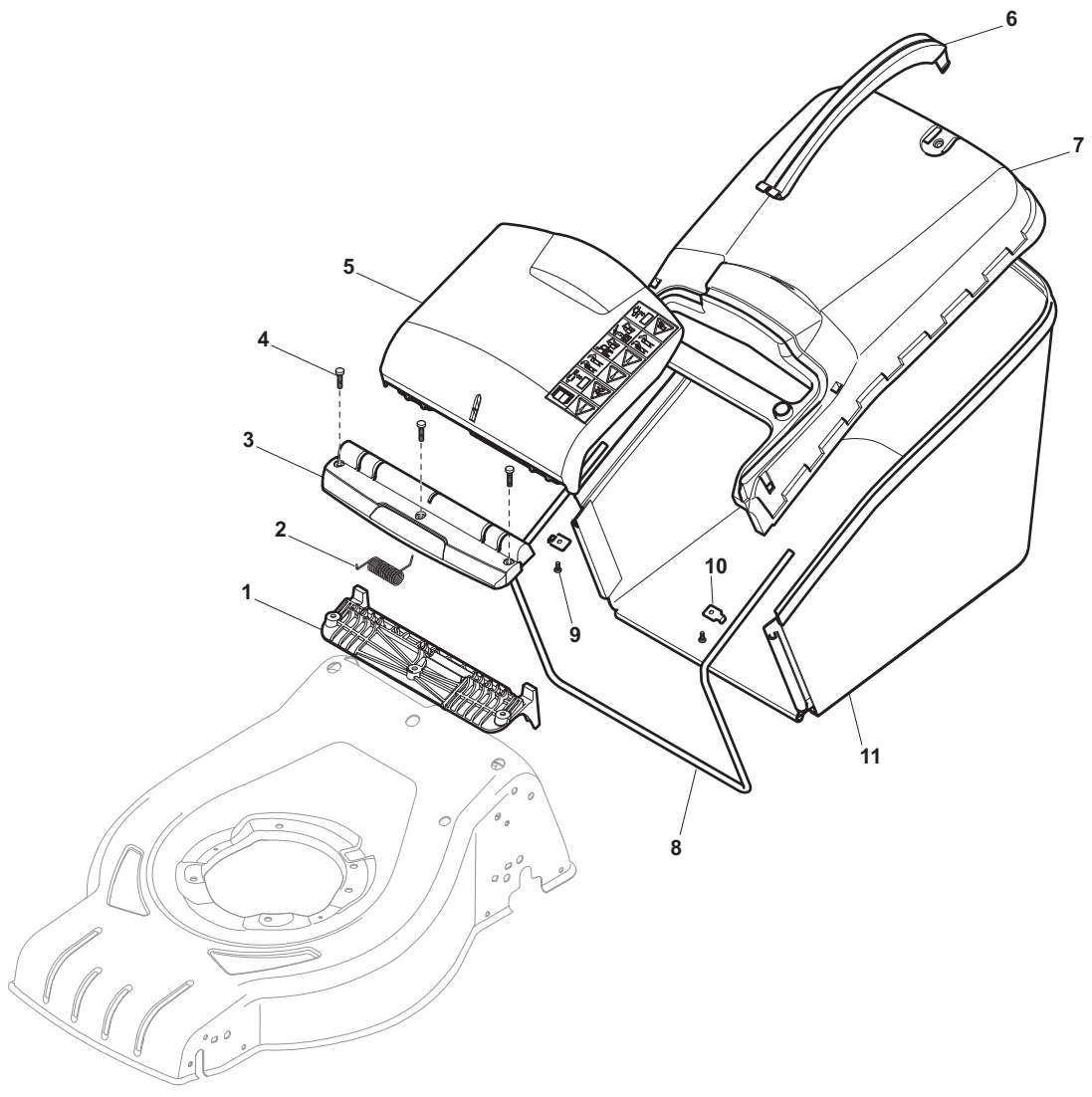
Position	Part No.	Q.Ty	Description
1	381006737/0	1	Handle, Lower Part
2	112819110/0	2	Screw
3	122671651/0	2	Washer
4	22399900/0	2	Knob
5	12293200/0	2	Nut
7	12818900/0	2	Screw
9	22399900/0	2	Knob
10	12293200/0	2	Nut
11	12155000/0	2	Nut
12	12521350/0	2	Washer
13	12369500/0	2	Elastic Washer
15	381008691/0	1	Outfit, Screws
14	12760605/0	2	Screw



Position	Part No.	Q.Ty	Description
1	381006739/0	1	Handle, Upper Part
1	381006745/0	1	Handle, Upper Part with sponge handgrip
2	22430313/0	1	Guide Spring
3	12521330/0	1	Washer
4	12154510/0	1	Nut
5	118390020/0	1	Fairlead
6	181003363/1	1	Lever, Engine Brake Black
7	181030056/0	1	Cable, Thread Engine Brake
8	12727783/0	1	Screw
9	12154510/0	1	Nut
12	181005533/0	1	Throttle Cable



Position	Part No.	Q.Ty	Description
1	112691100/0	3	Screw
2	22463012/2	1	Hub, Crankshaft Ø 22.2
3	81004346/3	1	Blade Standard
4	22160400/0	1	Elastic Washer
5	12523080/0	1	Washer
6	12735698/0	1	Screw
7	12139100/0	1	Feather, Crankshaft Ø 22.2



Position	Part No.	Q.Ty	Description
1	322785331/0	1	Support
2	122450464/0	1	Spring
3	322109556/0	1	Cover, Yellow
4	112728699/0	3	Screw
5	322600214/1	1	Stone-Guard Yellow
6	322393646/0	1	Handle
7	322486264/0	1	Grassbox Upper Part Yellow
8	122608561/0	1	Stiffening Lower
9	12728692/0	2	Screw
10	322545159/0	2	Plate
11	181002318/0	1	Box, Fabric