

# Genuine Spare Parts

www.stiga.com

## COLLECTOR 46 E Model Year 2012

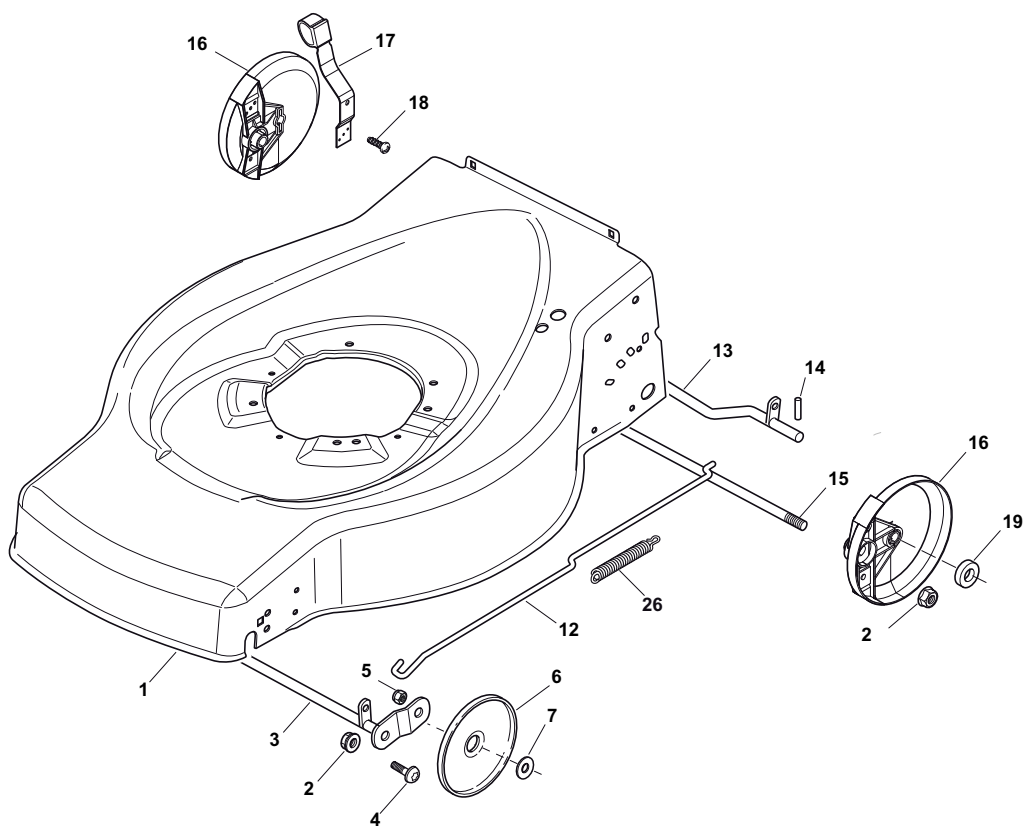
- Use GLOBAL GARDEN PRODUCT Genuine Spare Parts specified in the parts list for repair and/or replacement.
- The contents described in the parts list may change due to improvement.
- The drawings of the spare parts are only indicative and might not represent the part in question exactly.
- The indications "right" - "left" - "front" - "rear" refer to the position of the operator when using the machine.
- When placing orders of parts for repair and/or replacement, make sure that the illustrated parts list is the one applying to the machine's year of manufacture, as shown on the identification plate attached to the machine.

© Copyright 2012 Global Garden Products

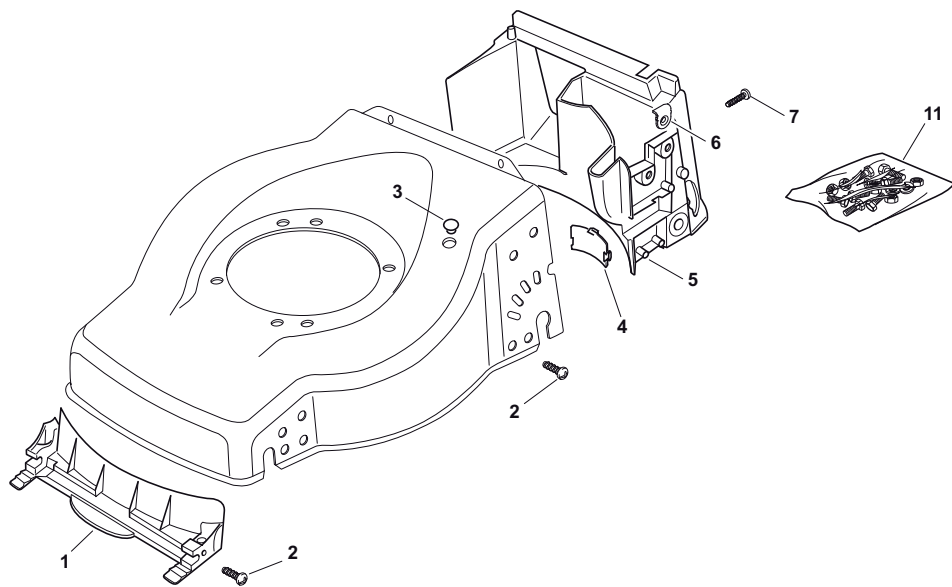
All content is subject to copyright by Global Garden Products and may not be reproduced in whole or in part by any means, electronic or otherwise, without prior written approval.

THIS INFORMATION IS NOT INTENDED FOR SALE OR RESALE, AND THIS NOTICE MUST REMAIN ON ALL COPIES.

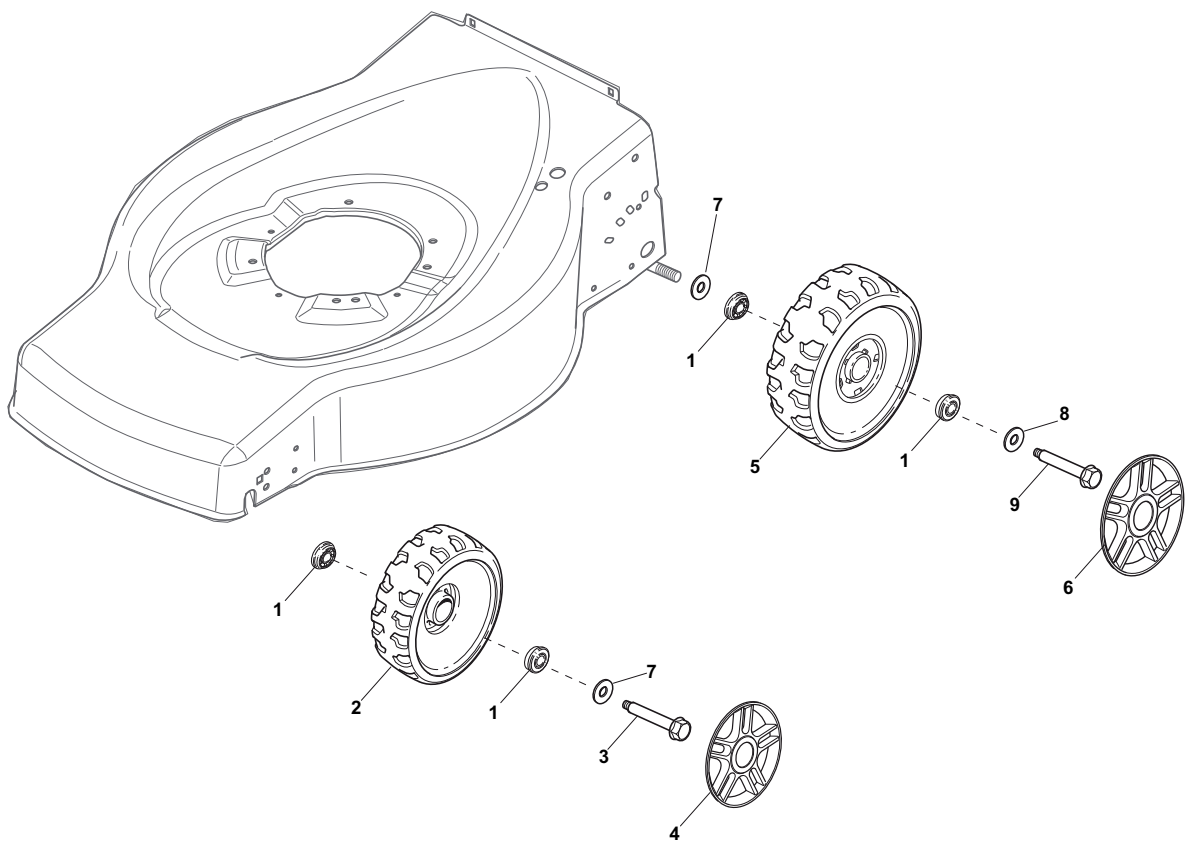




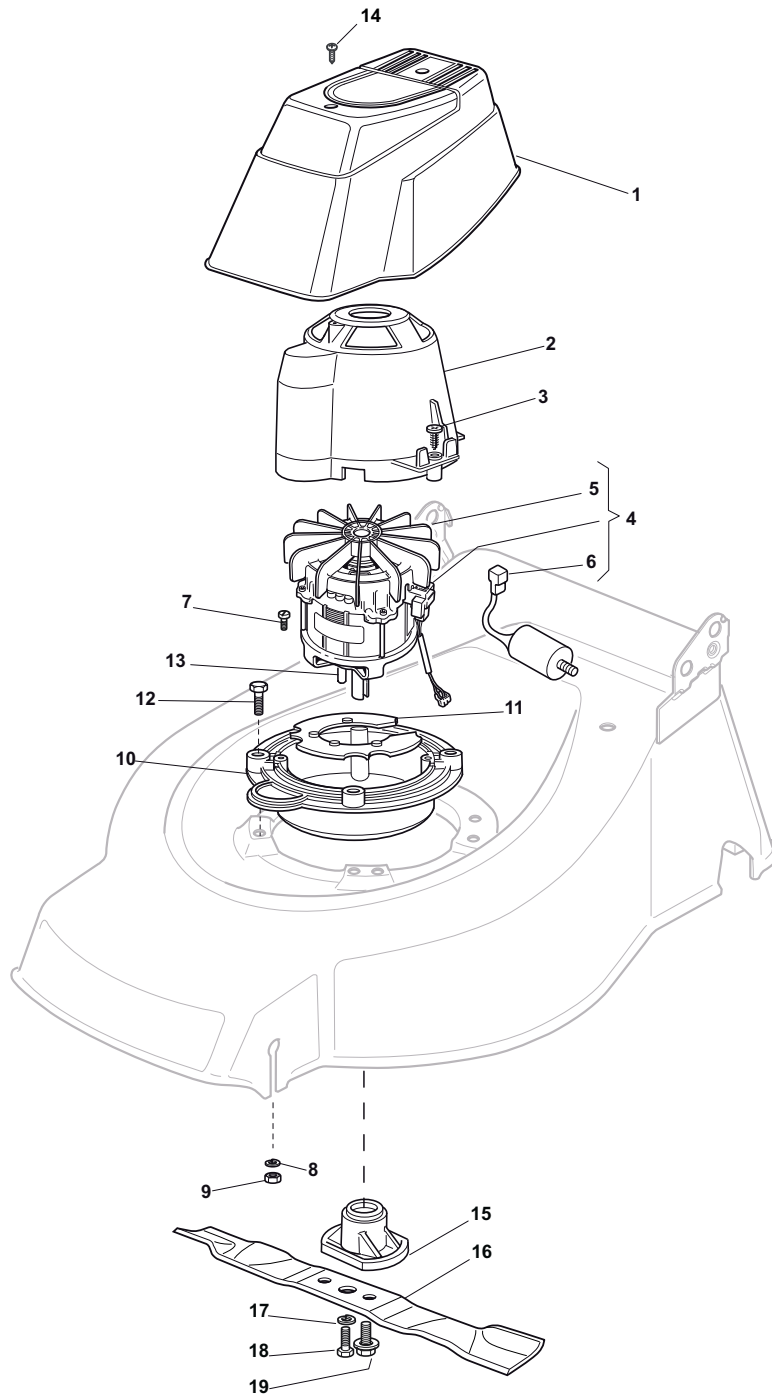
Position	Part No.	Q.Ty	Description
1	81002538/0	1	Deck Red
2	22131750/0	4	Nut
3	81000153/0	1	Axle, Front Wheels
4	12760600/0	2	Screw
5	12155000/0	2	Nut
6	22600095/0	2	Protection
7	25670011/0	2	Washer
12	22033317/0	1	Adjustment Rod
13	81000159/0	1	Axle, Rear Wheels
14	22753001/0	2	Pin
15	22033369/0	1	Axle, Rear Wheels
16	22600106/1	2	Protection, Wheel
17	81003303/0	1	Lever, Height Adjustment
18	12728689/0	2	Screw
19	22170622/0	2	Spacer
26	122446186/0	1	Spring (Only for 534 model)



Position	Part No.	Q.Ty	Description
1	22108271/0	1	Front Conveyor Assy
2	12728686/0	6	Screw
3	322820077/0	1	Cap
4	22109532/0	1	Cover
5	22108272/2	1	Rear Conveyor Assy
6	322545189/0	4	Plate
7	12728686/0	2	Screw
11	81008649/0	1	Outfit, Screws

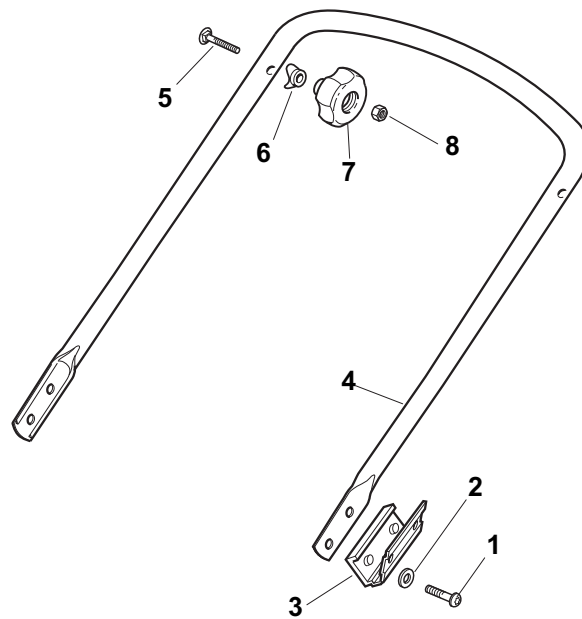


Position	Part No.	Q.Ty	Description
1	22122200/0	8	Bearing
2	22686091/1	2	Wheel Ø 165
3	22524341/0	4	Pin
4	22110491/0	2	Hub Cap
5	22686092/0	2	Wheel Ø 190
6	22110492/0	2	Hub Cap
7	22675100/0	4	Washer
9	12735599/0	2	Screw
8	12523050/0	2	Washer

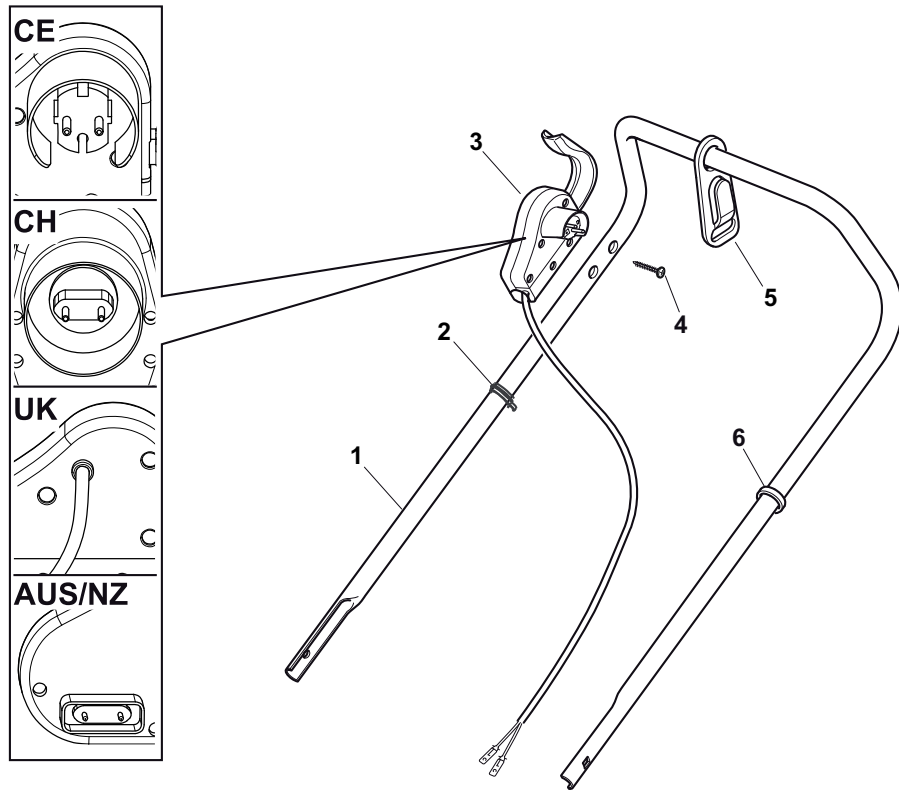




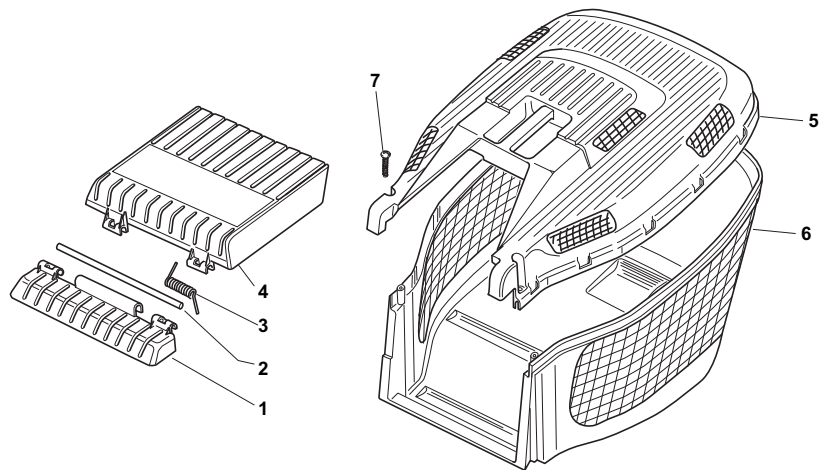
Position	Part No.	Q.Ty	Description
1	22055045/1	1	Cover
2	22785210/0	1	Support, Cover
3	12728710/0	4	Screw
4	18563605/0	1	Motor RST
4	18563607/0	1	Motor Atb
4	118563665/0	1	Motor Atb
5	18740054/0	1	Fan Motor Atb
6	18222045/0	1	Condenser 16 µf
7	12735410/0	4	Screw
8	12583500/0	4	Grower
9	12293200/0	4	Nut
10	322207211/4	1	Flange
11	322720360/2	1	Ventilation Screen
12	12793700/0	4	Screw
13	12139440/0	1	Feather
14	12728680/0	2	Screw
15	322463186/3	1	Hub
16	81004346/3	1	Blade Standard
16	81004397/0	1	Blade Winged
17	12583500/0	2	Grower
18	12793101/0	2	Screw
19	381004352/1	1	Screw



Position	Part No.	Q.Ty	Description
1	12760610/0	4	Screw
2	22671651/0	4	Washer
3	22551579/0	2	Plate
4	81006600/0	1	Handle, Lower Part
5	12819201/0	2	Screw
6	22680006/1	2	Washer
7	322399804/1	2	Knob
8	12293200/0	2	Nut



Position	Part No.	Q.Ty	Description
1	81007017/2	1	Handle, Upper Part
2	22192000/1	2	Anchor Clamp
3	81600500/1	1	Dead Hand Switch (CE)
3	81600501/1	1	Dead Hand Switch (CH)
3	81600502/1	1	Dead Hand Switch (UK)
3	18710628/0	1	Dead Hand Switch (AUS/NZ)
4	12728701/0	2	Screw
5	322195101/4	1	Fairlead
6	22192151/0	1	Fairlead



Position	Part No.	Q.Ty	Description
1	22785136/1	1	Support
2	22517858/0	1	Pin
3	22450431/0	1	Spring
4	322600099/1	1	Stone-Guard
5	22486122/0	1	Grassbox Upper Part
6	22486128/0	1	Grassbox Lower Part
7	12728686/0	2	Screw