

# Genuine Spare Parts

www.stiga.com

## MULTICLIP 50 S PLUS Model Year 2011

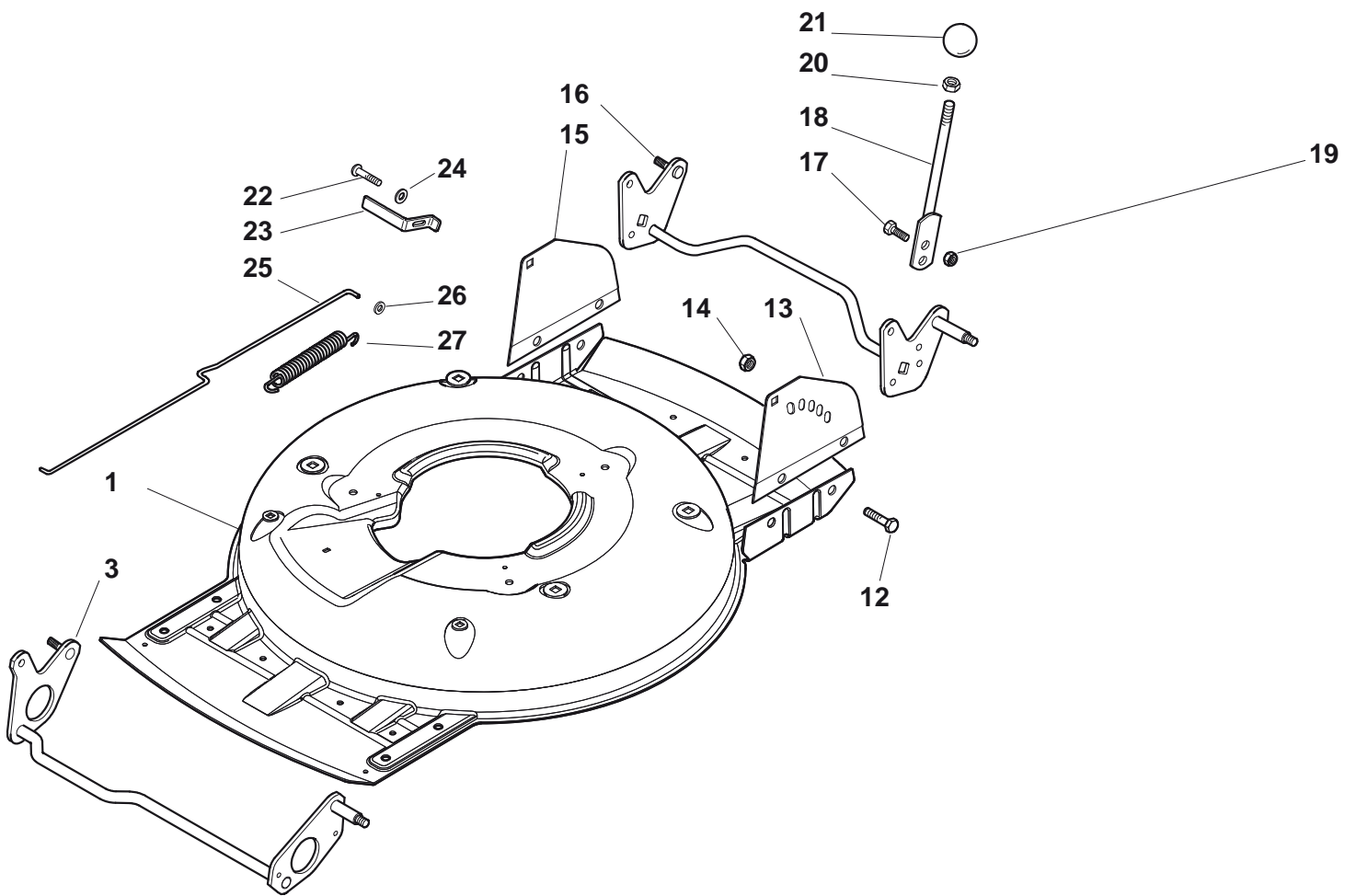
- Use GLOBAL GARDEN PRODUCT Genuine Spare Parts specified in the parts list for repair and/or replacement.
- The contents described in the parts list may change due to improvement.
- The drawings of the spare parts are only indicative and might not represent the part in question exactly.
- The indications "right" - "left" - "front" - "rear" refer to the position of the operator when using the machine.
- When placing orders of parts for repair and/or replacement, make sure that the illustrated parts list is the one applying to the machine's year of manufacture, as shown on the identification plate attached to the machine.

COPYRIGHT by GLOBAL GARDEN PRODUCTS

All rights reserved. No part of this material may be reproduced or transmitted, in any form or by any means, electronic or mechanical, including photocopying, recording or by any information storage and retrieval system, without permission in writing from GLOBAL GARDEN PRODUCTS.



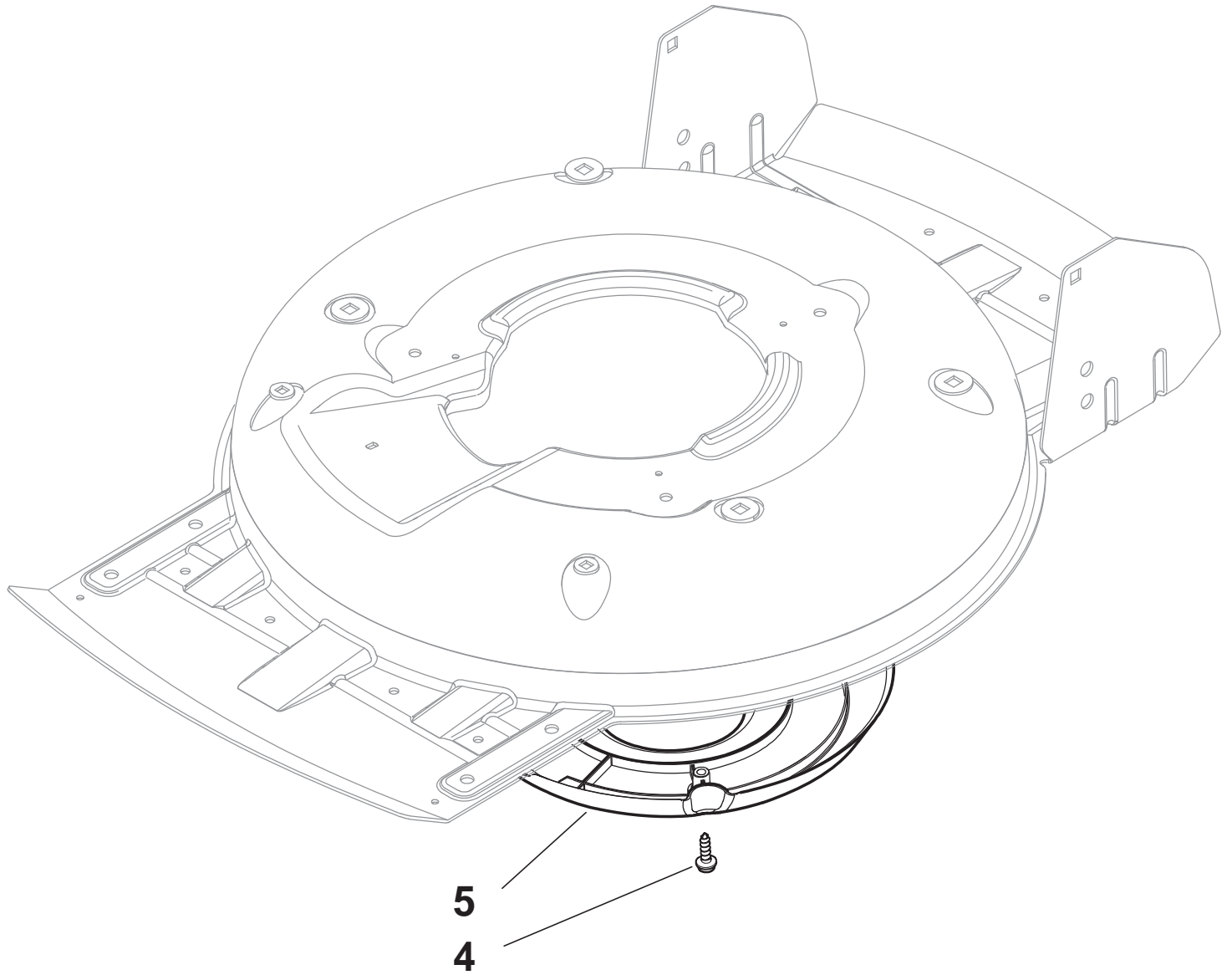
MULTICLIP 50 S PLUS



**MULTICLIP 50 S PLUS**

| Pos. Fig. | Antal Quantity | Art No Part No | Benämning            | Description                    | Anmärkning Notes |
|-----------|----------------|----------------|----------------------|--------------------------------|------------------|
| 1         | 1              | 322064691/0    | Chassi INOX          | Deck INOX                      |                  |
| 1         | 1              | 81002909/1     | Chassi-grå           | Deck Grey                      |                  |
| 3         | 1              | 81002849/0     | Hjulaxel-fram        | Axle, Front Wheels             |                  |
| 12        | 4              | 12791011/0     | Skruv                | Screw                          |                  |
| 13        | 1              | 81545105/0     | Platta-vä            | Left Plate                     |                  |
| 14        | 4              | 12154510/0     | Mutter               | Nut                            |                  |
| 15        | 1              | 81545104/0     | Platta-hö            | Right Plate                    |                  |
| 16        | 1              | 81002851/0     | Hjulaxel-bakre       | Axle, Rear Wheels              |                  |
| 17        | 2              | 12789000/0     | Skruv                | Screw                          |                  |
| 18        | 1              | 81003323/0     | Höjdinställningsspak | Lever, Height Adjustment       |                  |
| 19        | 2              | 12154330/0     | Mutter               | Nut                            |                  |
| 20        | 1              | 12293200/0     | Mutter               | Nut                            |                  |
| 21        | 1              | 22399812/0     | Knopp                | Knob                           |                  |
| 22        | 2              | 12735661/0     | Skruv                | Screw                          |                  |
| 23        | 2              | 22551529/0     | Plåt                 | Plate                          |                  |
| 24        | 2              | 12521330/0     | Bricka               | Washer                         |                  |
| 25        | 1              | 22033329/0     | Höjdinställn.stång   | Rod, Height Adjustment Control |                  |
| 26        | 2              | 12604899/0     | Låsbricka            | Crown Fastener                 |                  |
| 27        | 1              | 22446184/0     | Fjäder               | Spring                         |                  |

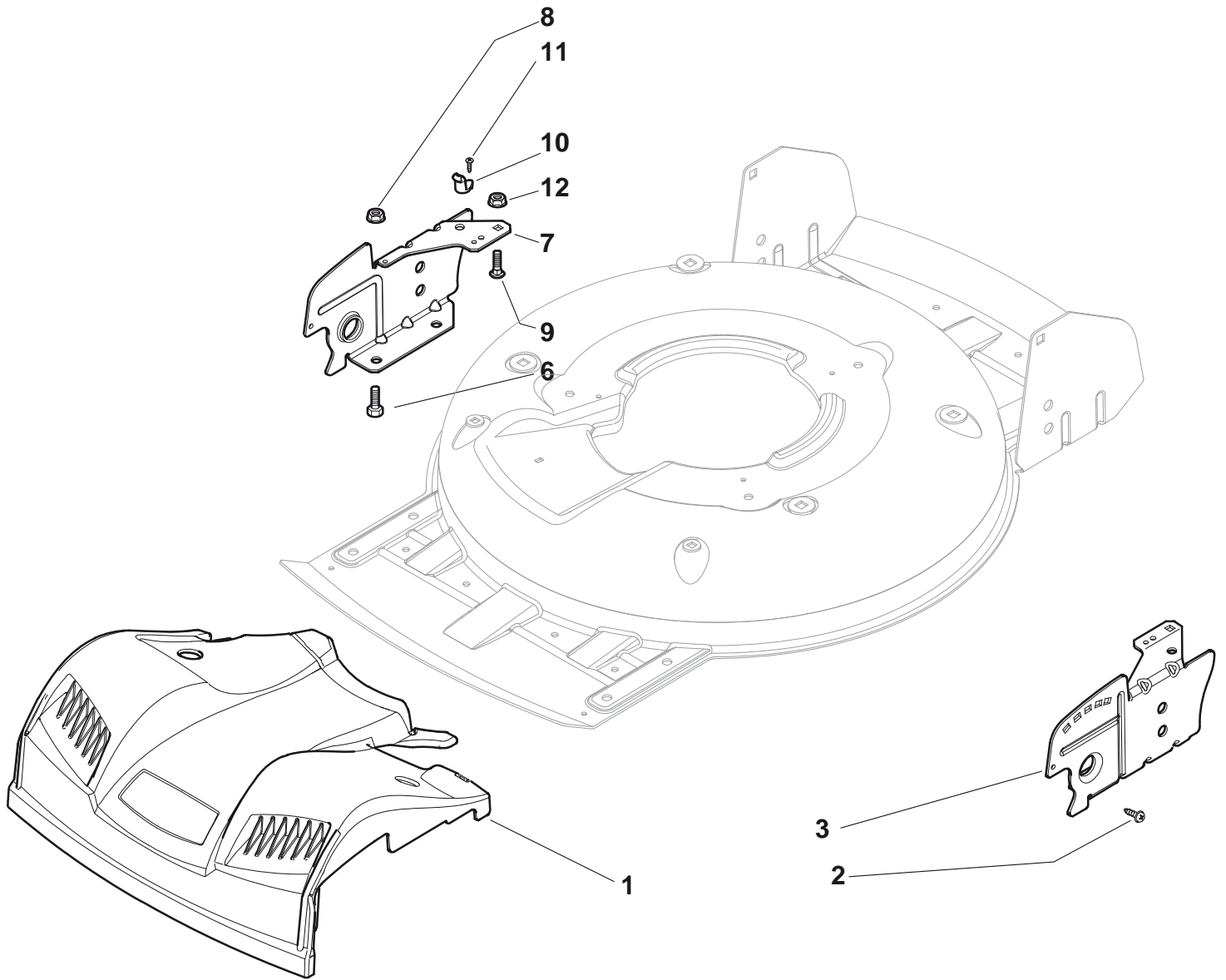
MULTICLIP 50 S PLUS



**MULTICLIP 50 S PLUS**

| Pos. Fig. | Antal Quantity | Art No Part No | Benämning | Description | Anmärkning Notes |
|-----------|----------------|----------------|-----------|-------------|------------------|
| 4         | 3              | 12728530/0     | Skruv     | Screw       |                  |
| 5         | 1              | 22060220/0     | Remskydd  | Protection  |                  |

MULTICLIP 50 S PLUS

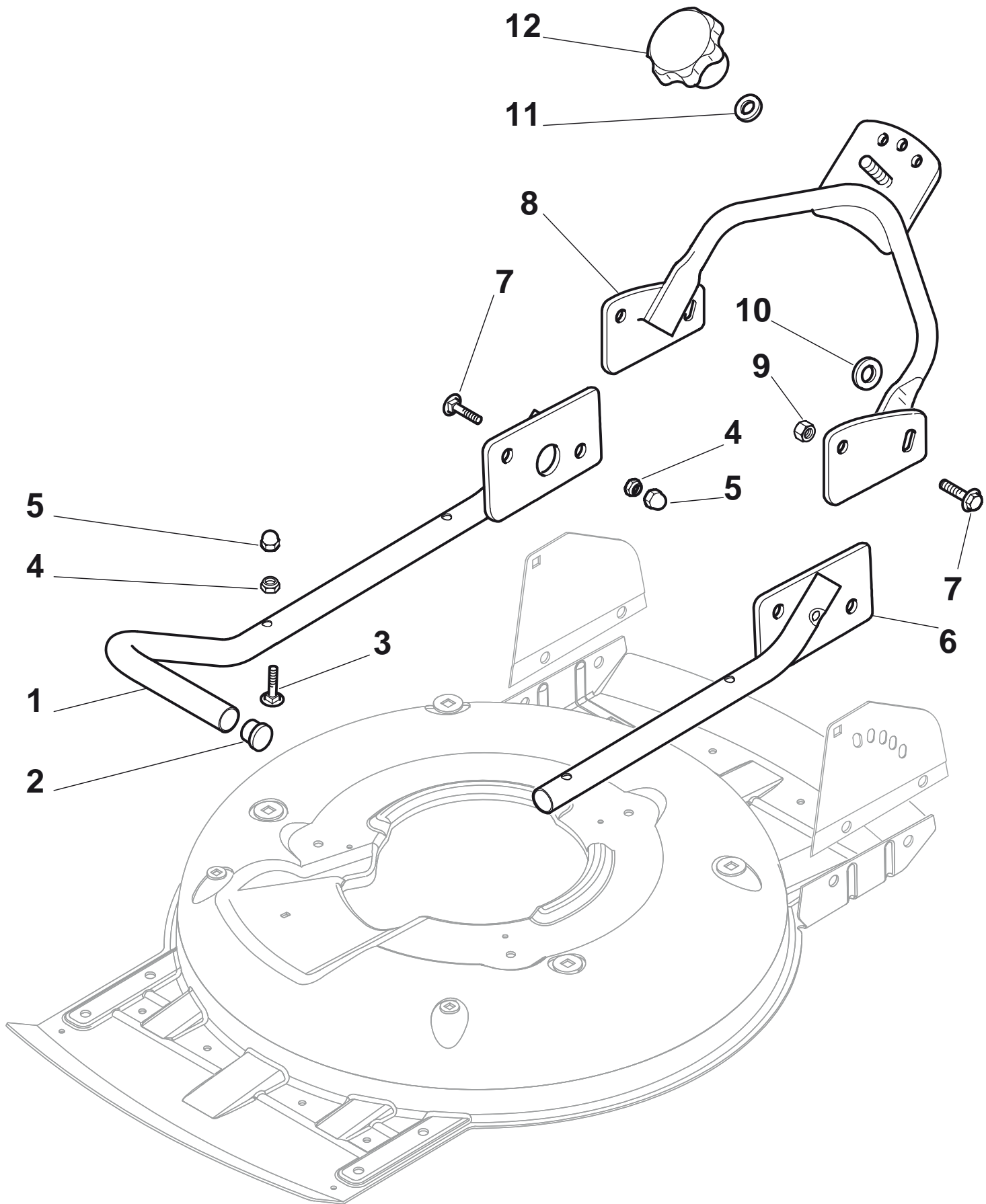




## MULTICLIP 50 S PLUS

| Pos. Fig. | Antal Quantity | Art No Part No | Benämning     | Description  | Anmärkning Notes |
|-----------|----------------|----------------|---------------|--------------|------------------|
| 1         | 1              | 322226097/1    | Frontkåpa-gul | Mask, Yellow |                  |
| 2         | 2              | 12728523/0     | Skruv         | Screw        |                  |
| 3         | 1              | 22778421/0     | Fäste-vä      | Bracket, L   |                  |
| 6         | 4              | 12792611/0     | Skruv         | Screw        |                  |
| 7         | 1              | 22778419/0     | Fäste-hö      | Bracket, R   |                  |
| 8         | 4              | 12293201/0     | Mutter        | Nut          |                  |
| 9         | 2              | 12815200/0     | Skruv         | Screw        |                  |
| 10        | 2              | 22020400/0     | Hållare       | Fairlead     |                  |
| 11        | 2              | 12728523/0     | Skruv         | Screw        |                  |
| 12        | 2              | 12292102/0     | Mutter        | Nut          |                  |

MULTICLIP 50 S PLUS

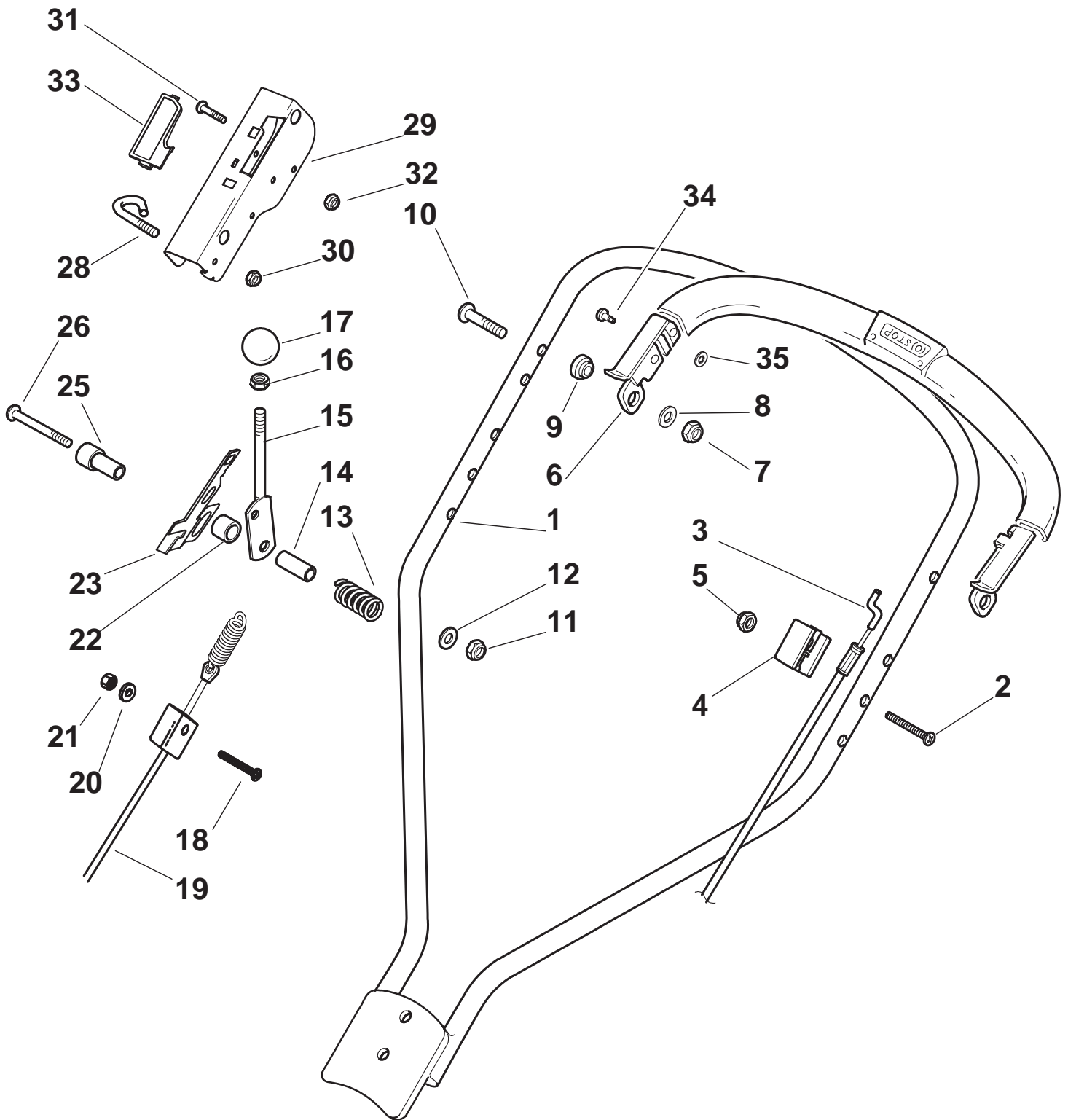




**MULTICLIP 50 S PLUS**

| Pos. Fig. | Antal Quantity | Art No Part No | Benämning          | Description                    | Anmärkning Notes |
|-----------|----------------|----------------|--------------------|--------------------------------|------------------|
| 1         | 1              | 81006377/0     | Styre-underdel, hö | Right Handle, Lower Part Black |                  |
| 2         | 4              | 18566114/0     | Plugg              | Cap                            |                  |
| 3         | 6              | 12819100/0     | Skruv              | Screw                          |                  |
| 4         | 6              | 12155000/0     | Mutter             | Nut                            |                  |
| 5         | 6              | 18203854/0     | Tätningshylsa      | Protection                     |                  |
| 6         | 1              | 381006379/0    | Styre-underdel, vä | Left Handle, Lower Part Black  |                  |
| 7         | 4              | 12793102/0     | Skruv              | Screw                          |                  |
| 8         | 1              | 81006365/0     | Styre-mellandel    | Handle, Middle Part Black      |                  |
| 9         | 4              | 12155000/0     | Mutter             | Nut                            |                  |
| 10        | 2              | 12523060/0     | Bricka             | Washer                         |                  |
| 11        | 1              | 12523080/0     | Bricka             | Washer                         |                  |
| 12        | 1              | 22399813/0     | Knopp              | Knob                           |                  |

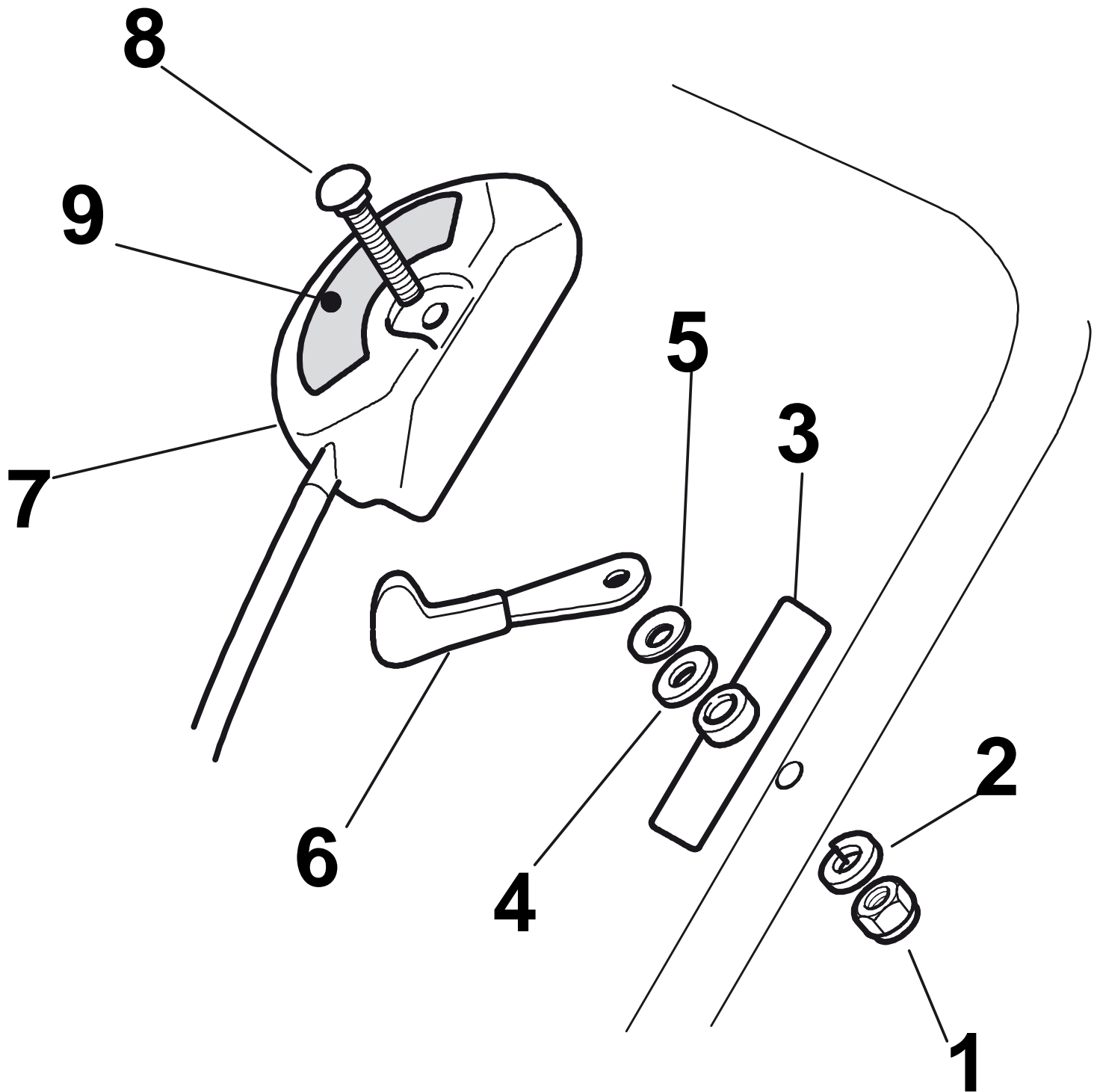
MULTICLIP 50 S PLUS





## MULTICLIP 50 S PLUS

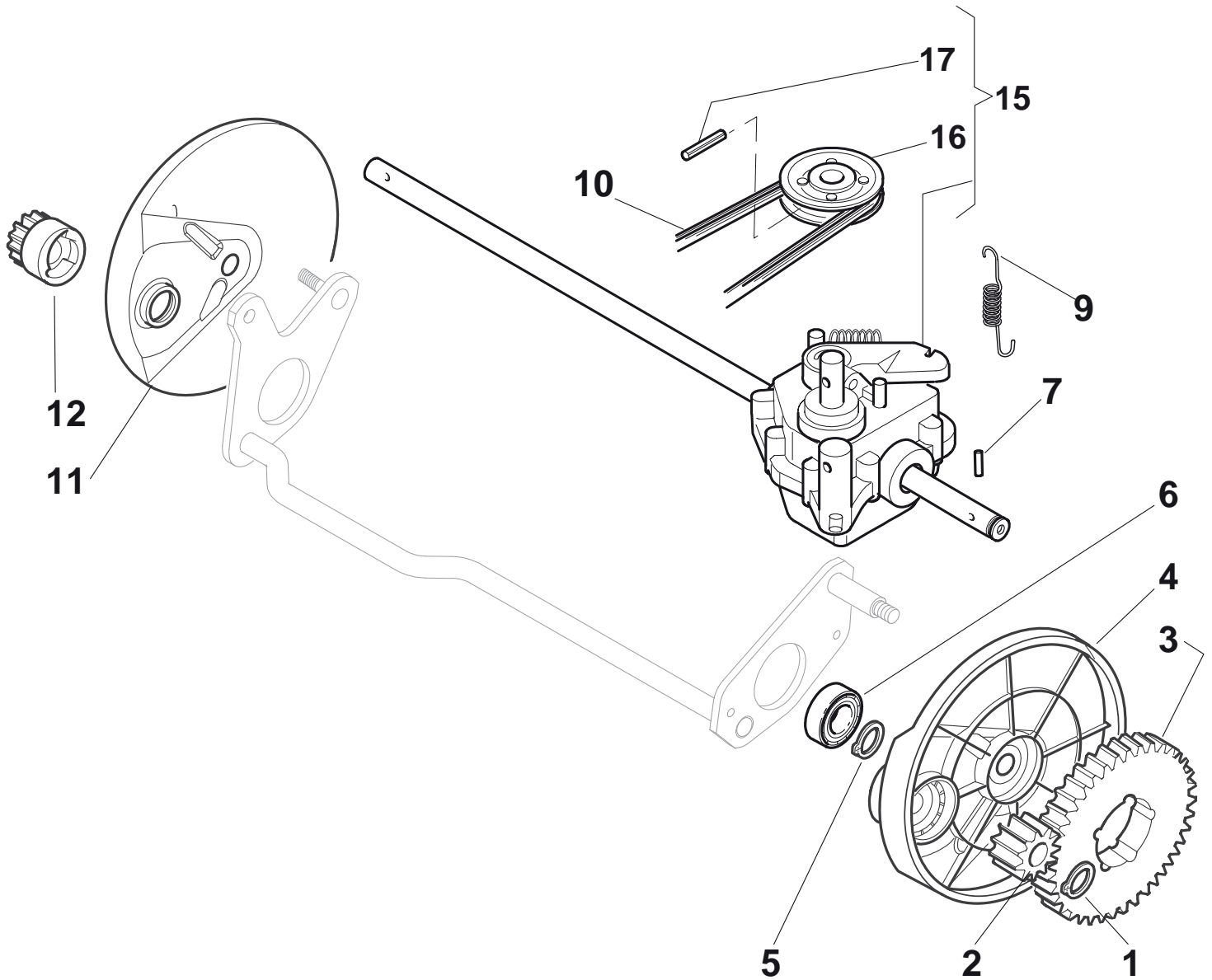
| Pos. Fig. | Antal Quantity | Art No Part No | Benämning             | Description                | Anmärkning Notes |
|-----------|----------------|----------------|-----------------------|----------------------------|------------------|
| 1         | 1              | 81006367/0     | Styre-överdel         | Handle, Upper Part Black   |                  |
| 2         | 1              | 12727783/0     | Skruv                 | Screw                      |                  |
| 3         | 1              | 181000618/0    | Motorbromswire        | Cable, Thread Engine Brake |                  |
| 4         | 1              | 22551640/0     | Plåt                  | Plate                      |                  |
| 5         | 1              | 12154510/0     | Mutter                | Nut                        |                  |
| 6         | 1              | 81003318/1     | Reglagebygel          | Lever, Engine Brake        |                  |
| 7         | 2              | 12154510/0     | Mutter                | Nut                        |                  |
| 8         | 2              | 12521330/0     | Bricka                | Washer                     |                  |
| 9         | 2              | 22671660/1     | Bricka                | Washer                     |                  |
| 10        | 2              | 12727784/0     | Skruv                 | Screw                      |                  |
| 11        | 1              | 12292100/0     | Mutter                | Nut                        |                  |
| 12        | 1              | 12530060/0     | Bricka                | Elastic Washer             |                  |
| 13        | 1              | 22450446/0     | Fjäder                | Spring                     |                  |
| 14        | 1              | 22170840/0     | Distans               | Spacer                     |                  |
| 15        | 1              | 81003313/0     | Reglagebygel-drivning | Lever, Driving             |                  |
| 16        | 1              | 12293200/0     | Mutter                | Nut                        |                  |
| 17        | 1              | 22399812/0     | Knopp                 | Knob                       |                  |
| 18        | 1              | 12727791/0     | Skruv                 | Screw                      |                  |
| 19        | 1              | 381000745/1    | Kopplingswire         | Cable, Rear Drive          |                  |
| 20        | 1              | 12521330/0     | Bricka                | Washer                     |                  |
| 21        | 1              | 12154510/0     | Mutter                | Nut                        |                  |
| 22        | 1              | 22170843/0     | Distans               | Spacer                     |                  |
| 23        | 1              | 22551653/0     | Plåt                  | Plate                      |                  |
| 25        | 1              | 22170842/0     | Distans               | Spacer                     |                  |
| 26        | 1              | 12727786/0     | Skruv                 | Screw                      |                  |
| 28        | 1              | 22430314/0     | Fjäder                | Spring                     |                  |
| 29        | 1              | 81004405/0     | Panel                 | Dash Board                 |                  |
| 30        | 1              | 12154510/0     | Mutter                | Nut                        |                  |
| 31        | 1              | 12727792/0     | Skruv                 | Screw                      |                  |
| 32        | 1              | 12154510/0     | Mutter                | Nut                        |                  |
| 33        | 1              | 22500050/0     | Glidblock             | Shoe                       |                  |
| 34        | 1              | 22524342/0     | Stift                 | Pin                        |                  |
| 35        | 1              | 12604897/0     | Bricka                | Washer                     |                  |

**MULTICLIP 50 S PLUS**

**MULTICLIP 50 S PLUS**

| Pos. Fig. | Antal Quantity | Art No Part No | Benämning | Description     | Anmärkning Notes |
|-----------|----------------|----------------|-----------|-----------------|------------------|
| 1         | 1              | 12291000/0     | Mutter    | Nut             |                  |
| 2         | 1              | 12581500/0     | Stift     | Grower          |                  |
| 3         | 1              | 22171006/0     | Distans   | Spacer          |                  |
| 4         | 1              | 12521360/0     | Bricka    | Washer          |                  |
| 5         | 1              | 12508100/0     | Rivet     | Spring Washer   |                  |
| 6         | 1              | 81007279/1     | Gasarm    | Lever, Throttle |                  |
| 7         | 1              | 81007080/0     | Gaswire   | Throttle Cable  |                  |
| 8         | 1              | 12815030/0     | Skruv     | Screw           |                  |
| 9         | 1              | 14356702/0     | Dekal     | Label           |                  |

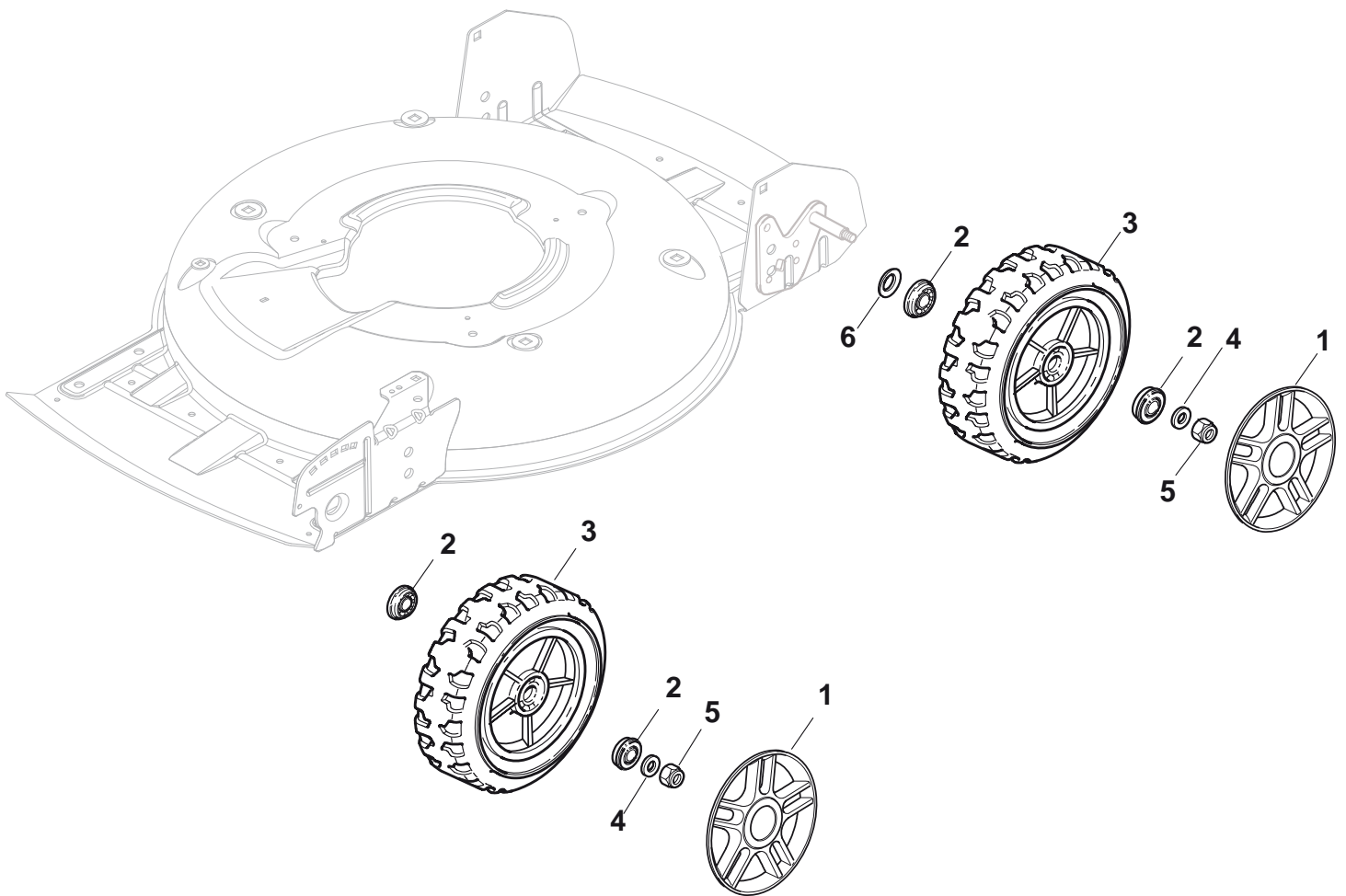
MULTICLIP 50 S PLUS



**MULTICLIP 50 S PLUS**

| Pos. Fig. | Antal Quantity | Art No Part No | Benämning      | Description         | Anmärkning Notes |
|-----------|----------------|----------------|----------------|---------------------|------------------|
| 1         | 2              | 12608600/0     | Seeger         | Seeger              |                  |
| 2         | 1              | 22570120/1     | Drev vä        | Pinion L            |                  |
| 3         | 2              | 22120105/1     | Navkapsel      | Ring Gear           |                  |
| 4         | 1              | 22600092/0     | Hjulskydd      | Protection, R Wheel |                  |
| 5         | 2              | 12608600/0     | Seeger         | Seeger              |                  |
| 6         | 2              | 19216035/0     | Låsring        | Bearing             |                  |
| 7         | 2              | 22753000/0     | Stift          | Pin                 |                  |
| 9         | 1              | 22450437/0     | Fjäder         | Spring              |                  |
| 10        | 1              | 35063902/0     | Drivrem Z 29,5 | Belt Z 29.5         |                  |
| 11        | 1              | 22600093/0     | Hjulskydd      | Protection, L Wheel |                  |
| 12        | 1              | 22570110/1     | Drev hö        | Pinion R            |                  |
| 15        | 1              | 81003095/0     | Transmission   | Gear Box            |                  |
| 16        | 1              | 22601904/0     | Remskiva       | Pulley              |                  |
| 17        | 1              | 12645705/0     | Stift          | Pin                 |                  |

MULTICLIP 50 S PLUS

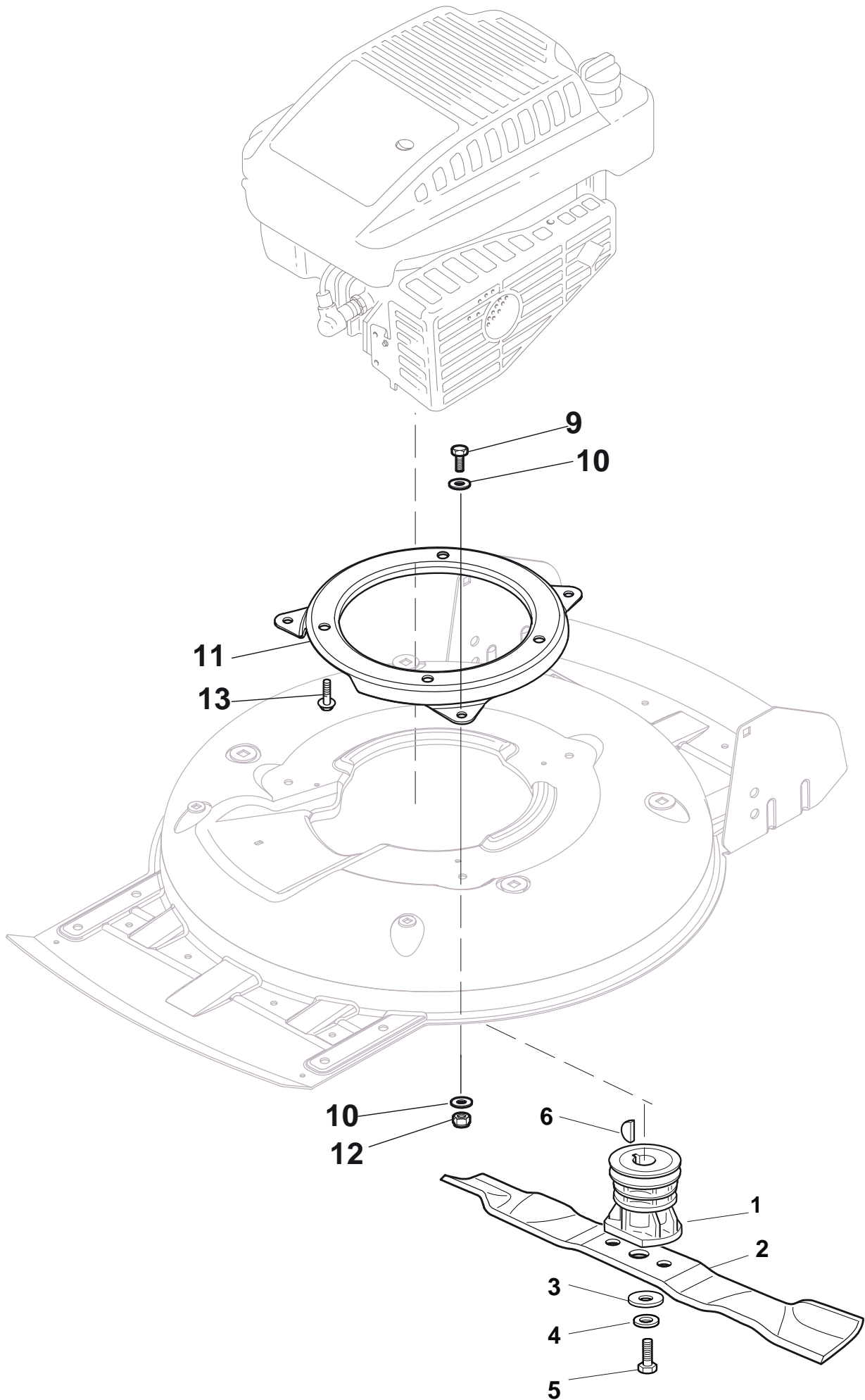




**MULTICLIP 50 S PLUS**

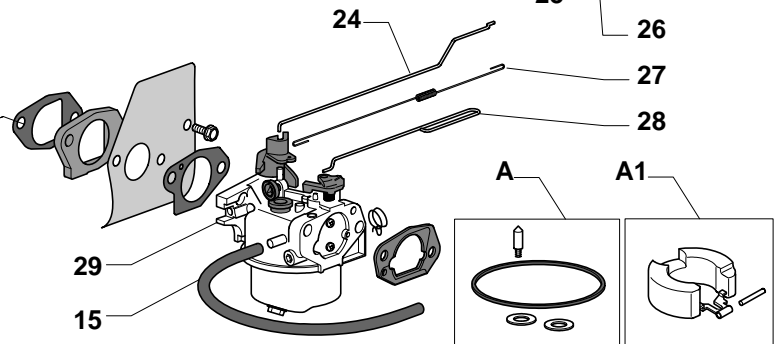
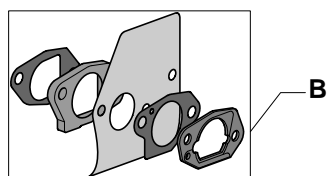
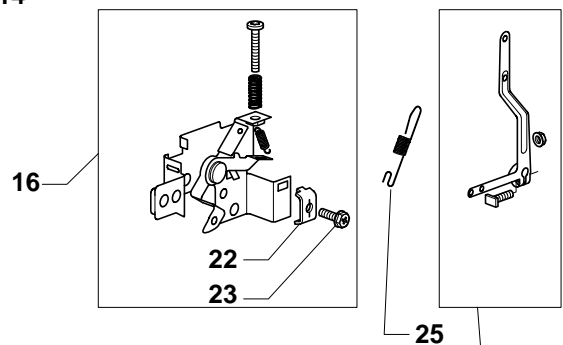
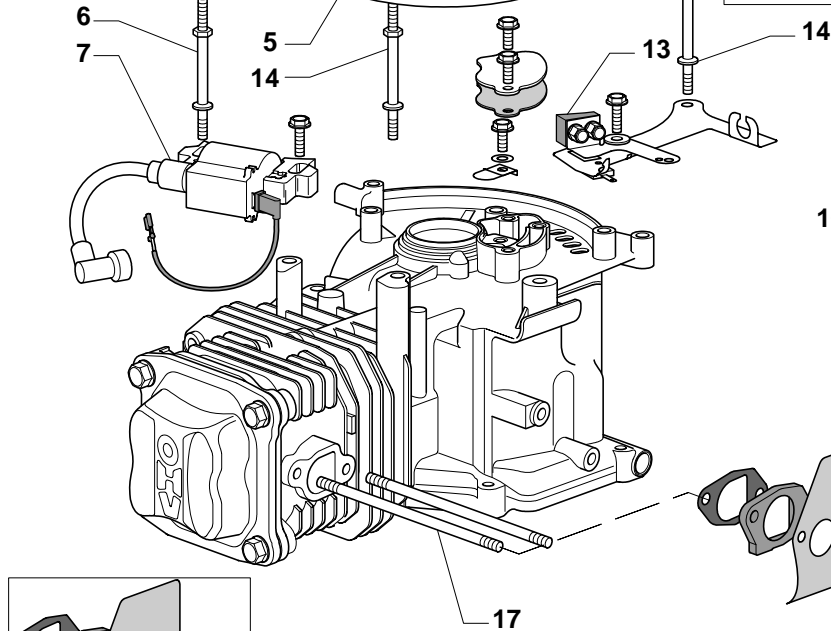
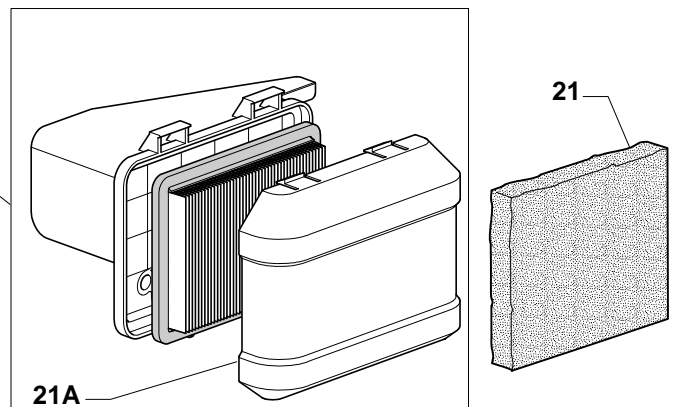
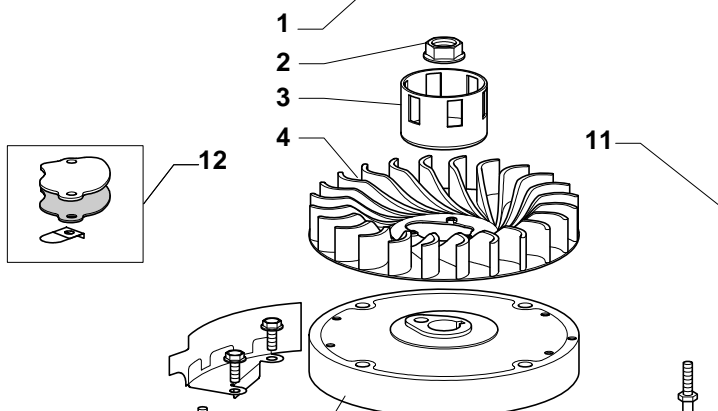
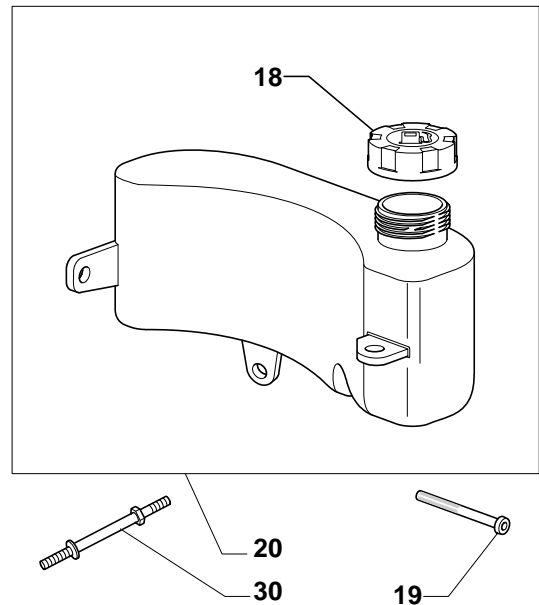
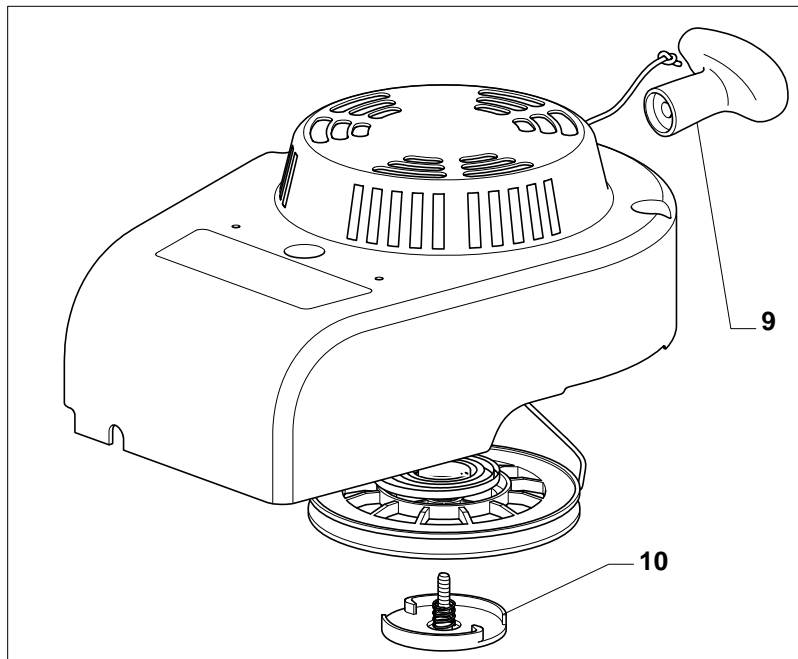
| Pos. Fig. | Antal Quantity | Art No Part No | Benämning     | Description    | Anmärkning Notes |
|-----------|----------------|----------------|---------------|----------------|------------------|
| 1         | 4              | 22110492/0     | Navkapsel-grå | Hub Cap Grey   |                  |
| 2         | 8              | 22122200/0     | Panel         | Bearing        |                  |
| 3         | 4              | 381007390/1    | Hjul Ø 210    | Wheel Ø 210    |                  |
| 4         | 4              | 12521350/0     | Bricka        | Washer         |                  |
| 5         | 4              | 12155000/0     | Mutter        | Nut            |                  |
| 6         | 2              | 12530150/0     | Bricka        | Elastic Washer |                  |

MULTICLIP 50 S PLUS



**MULTICLIP 50 S PLUS**

| Pos. Fig. | Antal Quantity | Art No Part No | Benämning    | Description                        | Anmärkning Notes |
|-----------|----------------|----------------|--------------|------------------------------------|------------------|
| 1         | 1              | 122465607/3    | Fläkt Ø 22.2 | Hub With Pulley, Crankshaft Ø 22.2 |                  |
| 2         | 1              | 81004146/0     | Kniv         | Blade Standard                     |                  |
| 3         | 1              | 22160400/0     | Dammskydd    | Dust Cover                         |                  |
| 4         | 1              | 12523080/0     | Bricka       | Washer                             |                  |
| 5         | 1              | 12735698/0     | Skruv        | Screw                              |                  |
| 6         | 1              | 12139100/0     | Kil          | Feather, Crankshaft Ø 22.2         |                  |
| 9         | 3              | 12792611/0     | Skruv        | Screw                              |                  |
| 10        | 6              | 12523060/0     | Bricka       | Washer                             |                  |
| 11        | 1              | 322207219/1    | Fläns        | Flange                             |                  |
| 12        | 3              | 12293201/0     | Mutter       | Nut                                |                  |
| 13        | 3              | 112735108/1    | Skruv        | Screw                              |                  |

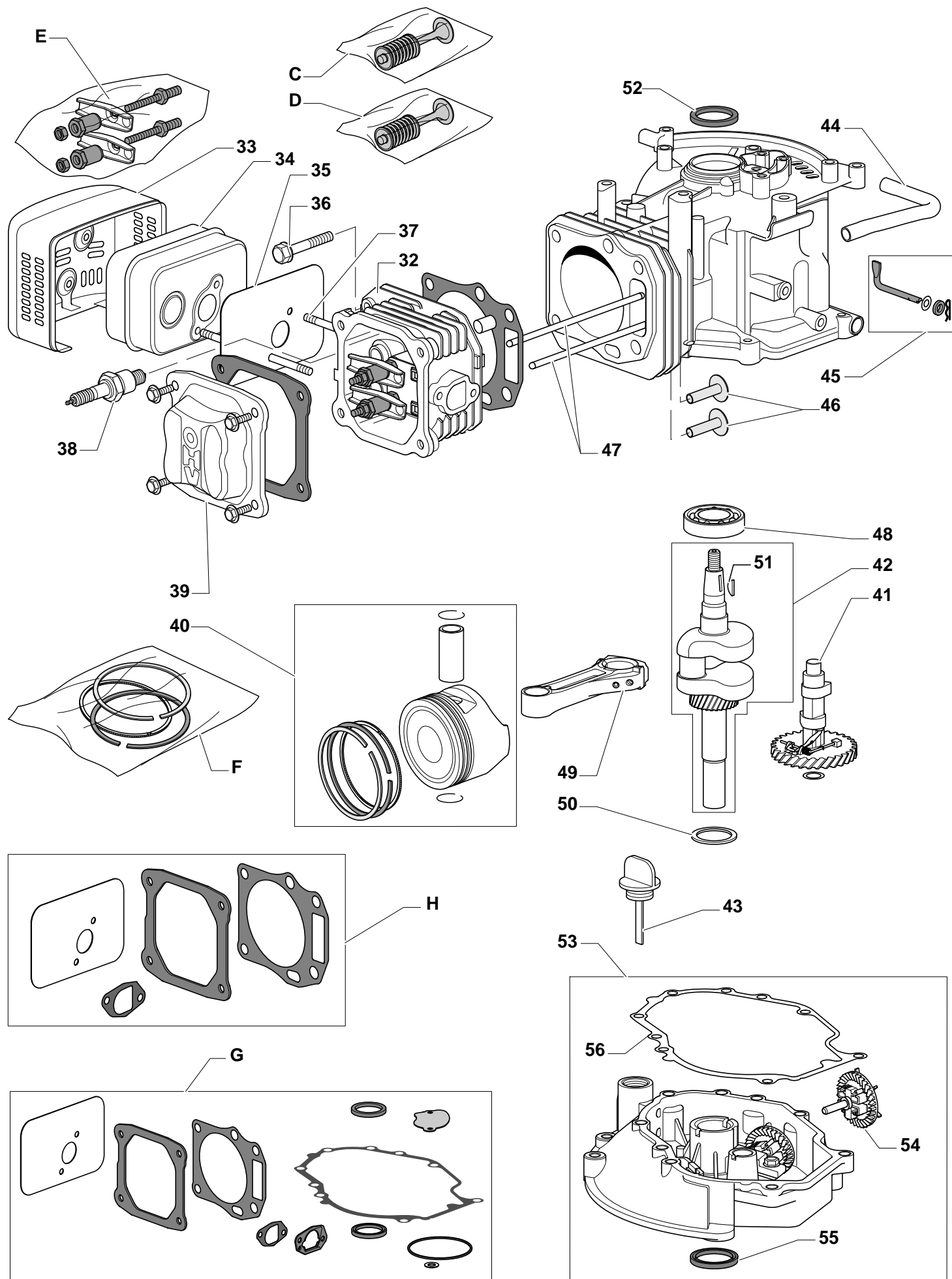
**MULTICLIP 50 S PLUS**




## MULTICLIP 50 S PLUS

| Pos. Fig. | Antal Quantity | Art No Part No | Benämning                       | Description                     | Anmärkning Notes |
|-----------|----------------|----------------|---------------------------------|---------------------------------|------------------|
| B         | 1              | 118550248/0    | Packning                        | Gasket Carburettor Assy         |                  |
| A         | 1              | 118550389/0    | Kit Repair, Carburettor         | Kit Repair, Carburettor         |                  |
| 1         | 1              | 118550276/0    | Start kpl                       | Starter Assy                    |                  |
| A1        | 1              | 118550388/0    | Kit Repair, Carburettor         | Kit Repair, Carburettor         |                  |
| 2         | 1              | 118550336/0    | Mutter                          | Nut                             |                  |
| 3         | 1              | 118550335/0    | Starter Cup                     | Starter Cup                     |                  |
| 4         | 1              | 118550254/0    | Fläkt                           | Flywheel Fan                    |                  |
| 5         | 1              | 118550253/0    | Svänghjul                       | Flywheel Ass.Y                  |                  |
| 6         | 1              | 118550301/0    | Skruv                           | Stud Bolt                       |                  |
| 7         | 1              | 118550255/0    | Elektronikspole                 | Electronic Coil                 |                  |
| 9         | 1              | 118550274/0    | Starthandtag                    | Starter Handle                  |                  |
| 10        | 1              | 118550275/0    | Starter Pawl Set                | Starter Pawl Set                |                  |
| 11        | 1              | 118550258/1    | Lufffilter                      | Air Cleaner Assy                |                  |
| 12        | 1              | 118550378/0    | Packning                        | Gasket Assy                     |                  |
| 13        | 1              | 118550376/0    | Flywheel Brake/Stop Switch Assy | Flywheel Brake/Stop Switch Assy |                  |
| 14        | 2              | 118550302/0    | Skruv                           | Stud Bolt                       |                  |
| 15        | 1              | 118550340/0    | Bränsleslang-in                 | Fuel Pipe                       |                  |
| 16        | 1              | 118550259/0    | Remote Control Assy             | Remote Control Assy             |                  |
| 17        | 2              | 118550298/0    | Skruv                           | Stud Bolt                       |                  |
| 18        | 1              | 118550339/0    | Lock                            | Fuel Cap                        |                  |
| 19        | 1              | 118550314/0    | Bränslefilter                   | Fuel Filter                     |                  |
| 20        | 1              | 118550316/0    | Tank                            | Tank                            |                  |
| 21A       | 1              | 118550396/0    | Lufffilterlock                  | Air Cleaner Cover               |                  |
| 21        | 1              | 118550452/0    | Lufffilter                      | Air Filter                      |                  |
| 22        | 1              | 118550337/0    | Casing Clamp                    | Casing Clamp                    |                  |
| 23        | 1              | 118550338/0    | Skruv                           | Screw                           |                  |
| 24        | 1              | 118550397/0    | Governor Link                   | Governor Link                   |                  |
| 25        | 1              | 118550260/0    | Fjäder                          | Spring                          |                  |
| 26        | 1              | 118550266/0    | Arm Governor Assy               | Arm Governor Assy               |                  |
| 27        | 1              | 118550263/0    | Fjäder                          | Spring                          |                  |
| 28        | 1              | 118550264/0    | Choke Control Rod               | Choke Control Rod               |                  |
| 29        | 1              | 118550390/0    | Förgasare                       | Carburettor                     |                  |
| 30        | 1              | 118550315/0    | Skruv                           | Stud Bolt                       |                  |

## MULTICLIP 50 S PLUS



**MULTICLIP 50 S PLUS**

| Pos. Fig. | Antal Quantity | Art No Part No | Benämning                | Description              | Anmärkning Notes |
|-----------|----------------|----------------|--------------------------|--------------------------|------------------|
| E         | 1              | 118550273/0    | Valve Arm Set            | Valve Arm Set            |                  |
| C         | 1              | 118550292/0    | Intake Valve Assy        | Intake Valve Assy        |                  |
| D         | 1              | 118550294/0    | Exhaust Valve Assy       | Exhaust Valve Assy       |                  |
| F         | 1              | 118550384/0    | Piston, Ring Set         | Piston, Ring Set         |                  |
| G         | 1              | 118550403/0    | Packning                 | Engine Gasket Set        |                  |
| H         | 1              | 118550405/0    | Cylinder Head Gasket Set | Cylinder Head Gasket Set |                  |
| 32        | 1              | 118550244/0    | Cylinder Head Assy       | Cylinder Head Assy       |                  |
| 33        | 1              | 118550268/1    | Ljuddämparskydd          | Muffler Guard            |                  |
| 34        | 1              | 118550269/0    | Ljuddämpare              | Muffler                  |                  |
| 35        | 1              | 118550270/0    | Ljuddämparskydd          | Gasket, Muffler          |                  |
| 36        | 4              | 118550297/0    | Skruv                    | Screw                    |                  |
| 37        | 2              | 118550298/0    | Skruv                    | Stud Bolt                |                  |
| 38        | 1              | 9400-0244-00   | Tändstift                | Spark Plug               |                  |
| 39        | 1              | 118550296/1    | Cover Comp., Head        | Cover Comp., Head        |                  |
| 40        | 1              | 118550387/0    | Kolv kpl                 | Piston Assy              |                  |
| 41        | 1              | 118550271/0    | Camshaft Assy            | Camshaft Assy            |                  |
| 42        | 1              | 118550385/0    | Vevaxel                  | Crankshaft               |                  |
| 43        | 1              | 118550381/0    | Oljevol                  | Tank Cap                 |                  |
| 44        | 1              | 118550377/0    | Oljeslang                | Breather Fule Pipe       |                  |
| 45        | 1              | 118550308/0    | Vevaxel                  | Shaft, Governor Arm Assy |                  |
| 46        | 1              | 118550291/0    | Valve Lifter Assy        | Valve Lifter Assy        |                  |
| 47        | 1              | 118550289/0    | Push Rods Assy           | Push Rods Assy           |                  |
| 48        | 1              | 118550280/0    | Kullager                 | Bearing                  |                  |
| 49        | 1              | 118550284/0    | Connecting Rod Assy      | Connecting Rod Assy      |                  |
| 50        | 1              | 118550283/0    | Bricka                   | Washer                   |                  |
| 51        | 1              | 118550288/0    | Kil                      | Flywheel Key             |                  |
| 52        | 1              | 118550300/0    | Tätningring              | Oil Seal                 |                  |
| 53        | 1              | 118550382/0    | Vevhus                   | Crankcase Cover Assy     |                  |
| 54        | 1              | 118550312/0    | Speed Governor Assy      | Speed Governor Assy      |                  |
| 55        | 1              | 118550379/0    | Tätningring              | Oil Seal                 |                  |
| 56        | 1              | 118550380/0    | Packning                 | Crankcase Gasket         |                  |