

Genuine Spare Parts

www.stiga.com

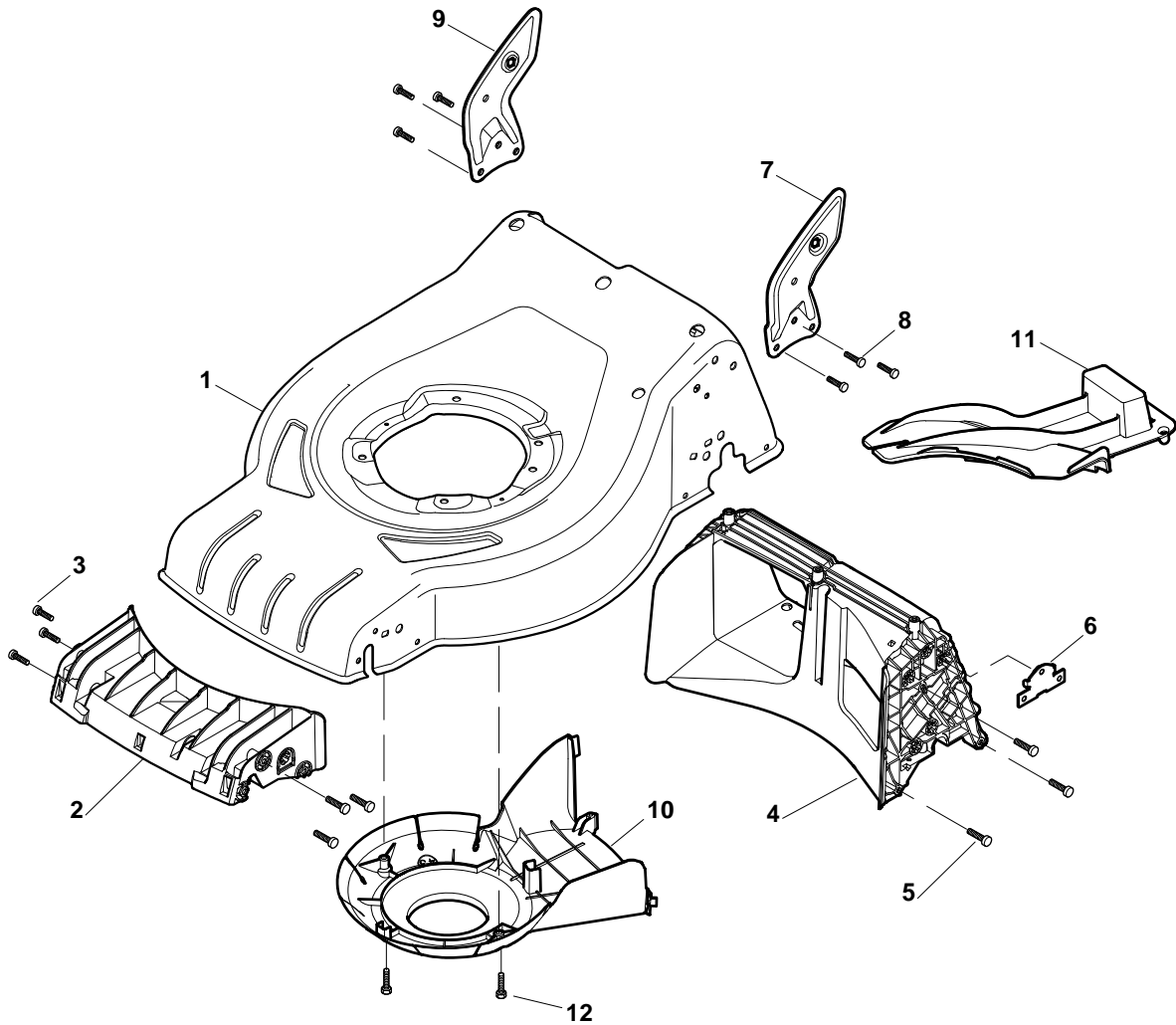
COMBI 48 B Model Year 2011

- Use GLOBAL GARDEN PRODUCT Genuine Spare Parts specified in the parts list for repair and/or replacement.
- The contents described in the parts list may change due to improvement.
- The drawings of the spare parts are only indicative and might not represent the part in question exactly.
- The indications "right" - "left" - "front" - "rear" refer to the position of the operator when using the machine.
- When placing orders of parts for repair and/or replacement, make sure that the illustrated parts list is the one applying to the machine's year of manufacture, as shown on the identification plate attached to the machine.

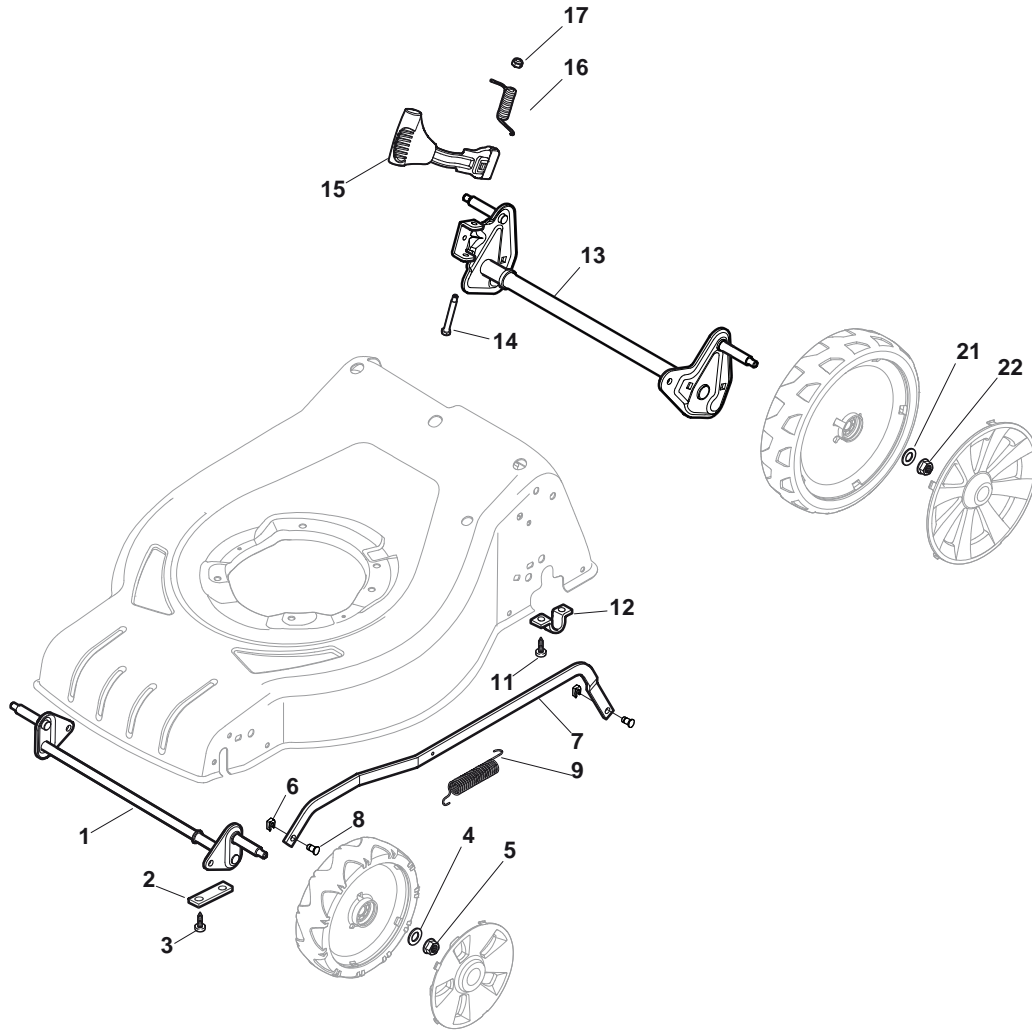
COPYRIGHT by GLOBAL GARDEN PRODUCTS

All rights reserved. No part of this material may be reproduced or transmitted, in any form or by any means, electronic or mechanical, including photocopying, recording or by any information storage and retrieval system, without permission in writing from GLOBAL GARDEN PRODUCTS.

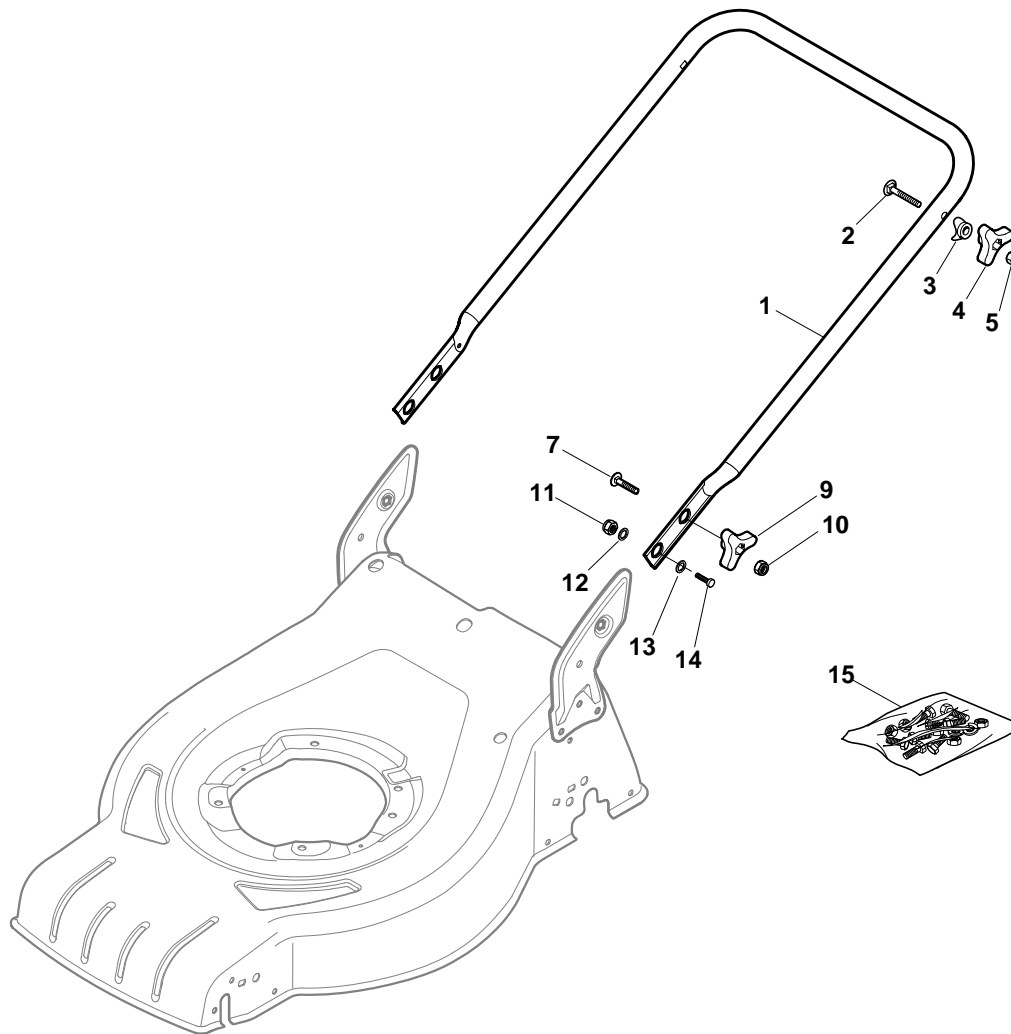




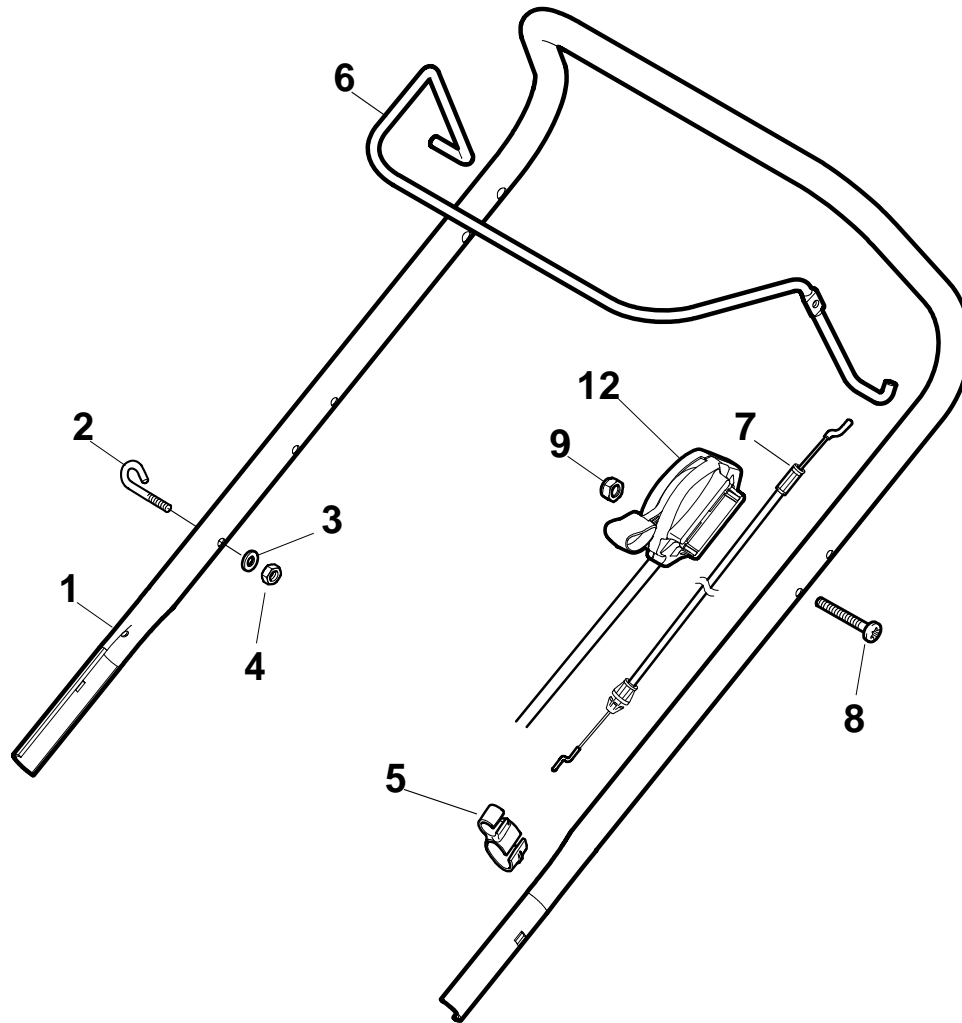
Pos. Fig.	Antal Quantity	Art No Part No	Benämning	Description	Anmärkning Notes
1	1	381004017/0	Chassi-röd	Deck Red	
1	1	381004018/0	Chassi-röd	Deck Red	
1	1	381004024/0	Chassi-svart	Deck Black	
2	1	322108301/0	Ledpllt-främre	Front Conveyor Assy	
3	6	112728699/0	Skruv	Screw	
4	1	322108302/0	Ledpllt-bakre	Rear Conveyor Assy	
5	6	112728699/0	Skruv	Screw	
6	2	322545213/0	Plåt	Plate	
7	1	381005139/0	Fäste-vä	Bracket, L	
8	6	112727801/0	Skruv	Screw	
9	1	381005137/0	Fäste-hö	Bracket, R	
10	1	322060242/0	Remskydd	Protection, Belt	
11	1	322140239/0	Deflektor	Deflector	
12	2	12728530/0	Skruv	Screw	

COMBI 48 B - Model Year 2011


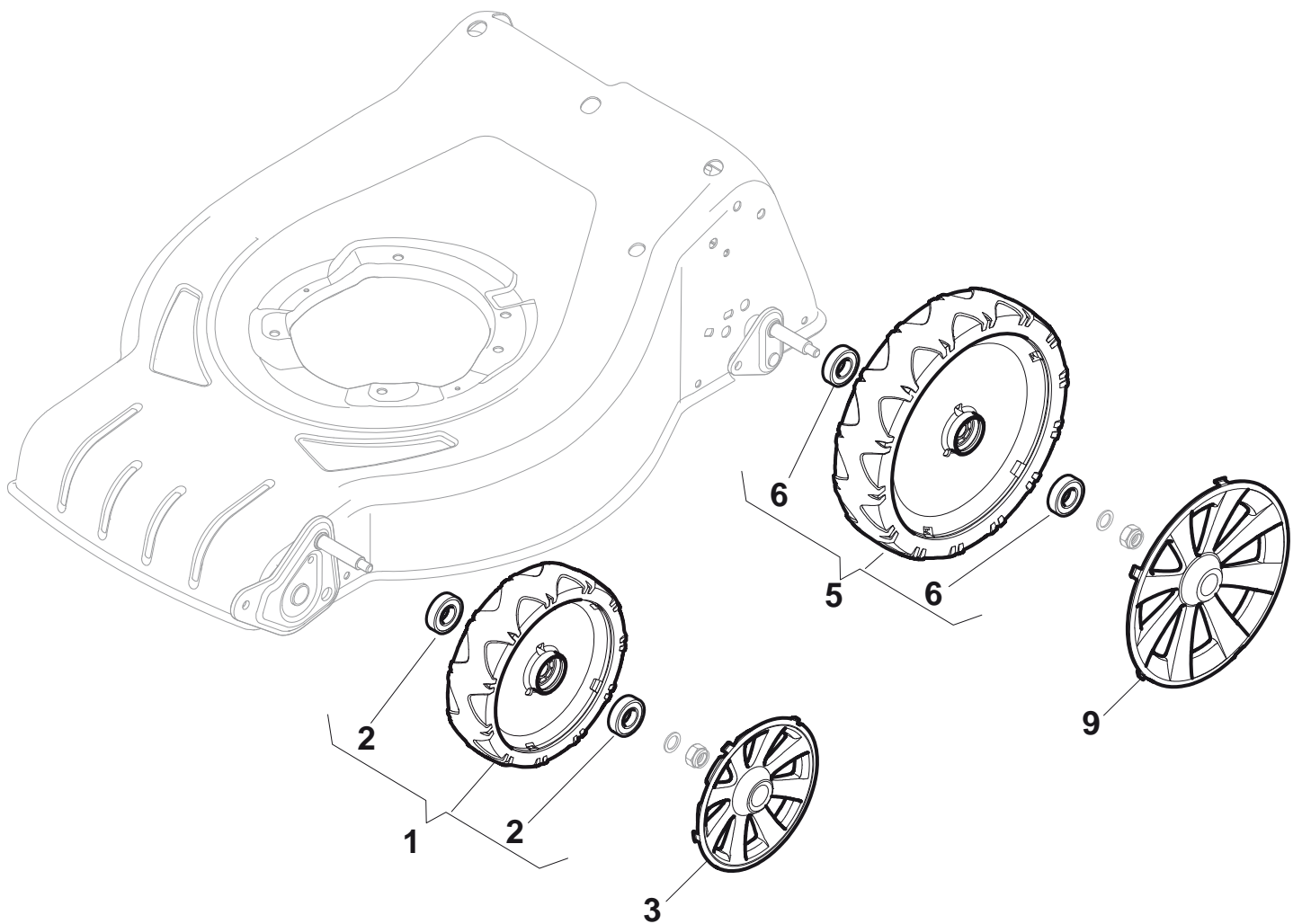
Pos. Fig.	Antal Quantity	Art No Part No	Benämning	Description	Anmärkning Notes
1	1	381302821/0	Framhjul	Axle, Front Wheels	
2	2	22545142/0	Plåt	Plate	
3	4	112728698/0	Skruv	Screw	
4	2	12521350/0	Bricka	Washer	
5	2	12155000/0	Mutter	Nut	
6	2	112436051/0	Plåt	Plate	
7	1	322869673/0	Höjdinställn.stång	Rod, Height Adjustment	
8	2	122519820/0	Stift	Pin	
9	1	122446193/0	Fjäder	Spring	
11	4	112728698/0	Skruv	Screw	
12	2	22545152/0	Plåt	Plate	
13	1	381302815/0	Stödhjul	Axle, Rear Wheels	
14	1	122534131/0	Stift	Pin	
15	1	381003357/0	Höjdinställn.spak	Lever, Height Adjustment	
16	1	122446192/0	Fjäder	Spring	
17	1	12154510/0	Mutter	Nut	
21	2	12521350/0	Bricka	Washer	
22	2	12155000/0	Mutter	Nut	

COMBI 48 B - Model Year 2011


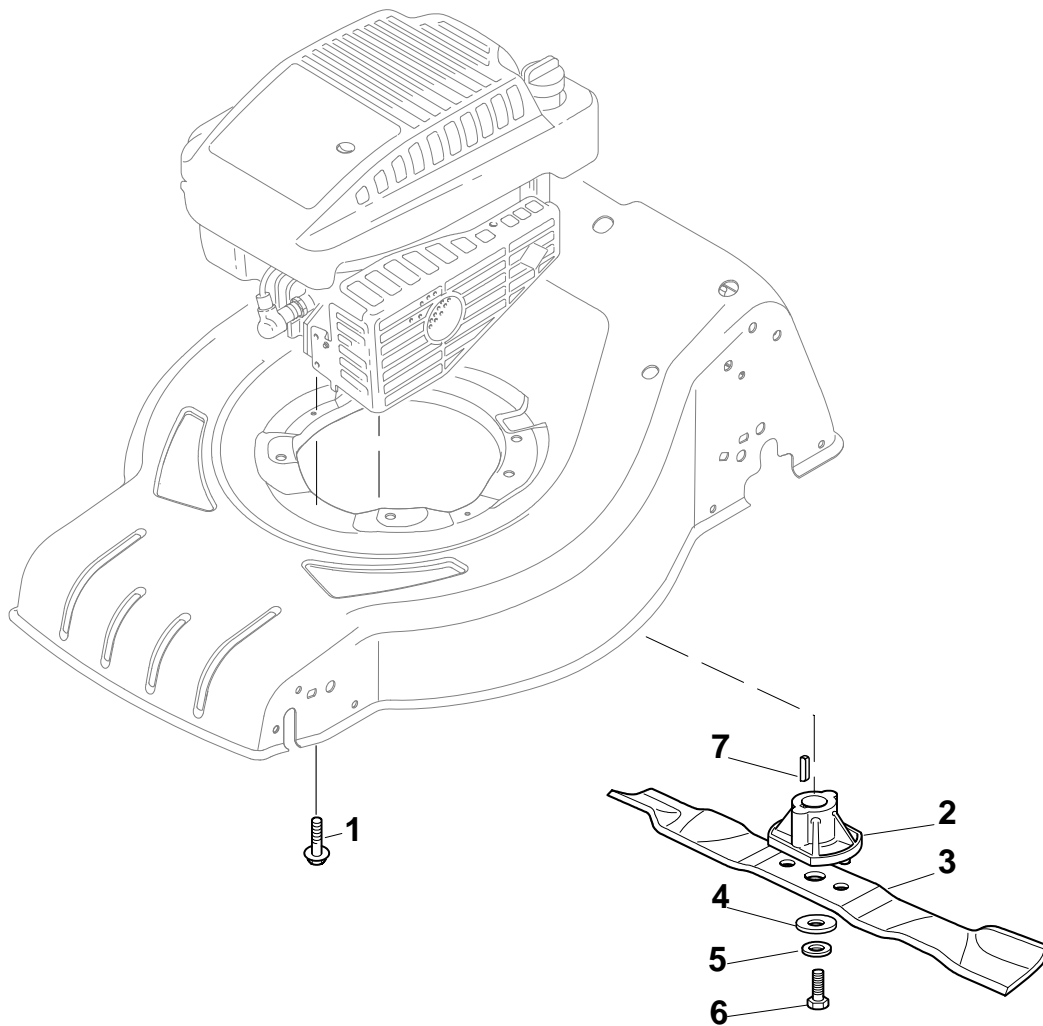
Pos. Fig.	Antal Quantity	Art No Part No	Benämning	Description	Anmärkning Notes
1	1	381006737/0	Styre-underdel	Handle, Lower Part	
2	2	12819120/0	Skruv	Screw	
3	2	22680006/1	Bricka	Washer	
4	2	22399900/0	Knopp	Knob	
4	2	322399840/0	Knopp	Yellow, Knob	
4	2	322399846/0	Knopp	Red, Knob	
5	2	12293200/0	Mutter	Nut	
7	2	12818900/0	Skruv	Screw	
9	2	22399900/0	Knopp	Knob	
9	2	322399840/0	Knopp	Yellow, Knob	
9	2	322399846/0	Knopp	Red, Knob	
10	2	12293200/0	Mutter	Nut	
11	2	12155000/0	Mutter	Nut	
12	2	12521350/0	Bricka	Washer	
13	2	12369500/0	Fjäderbricka	Elastic Washer	
14	2	12760605/0	Skruv	Screw	
15	1	381008691/0	Skrivsats	Outfit, Screws	
15	1	381008692/0	Skrivsats	Yellow Outfit, Screws	
15	1	381008695/0	Skrivsats	Red Outfit, Screws	



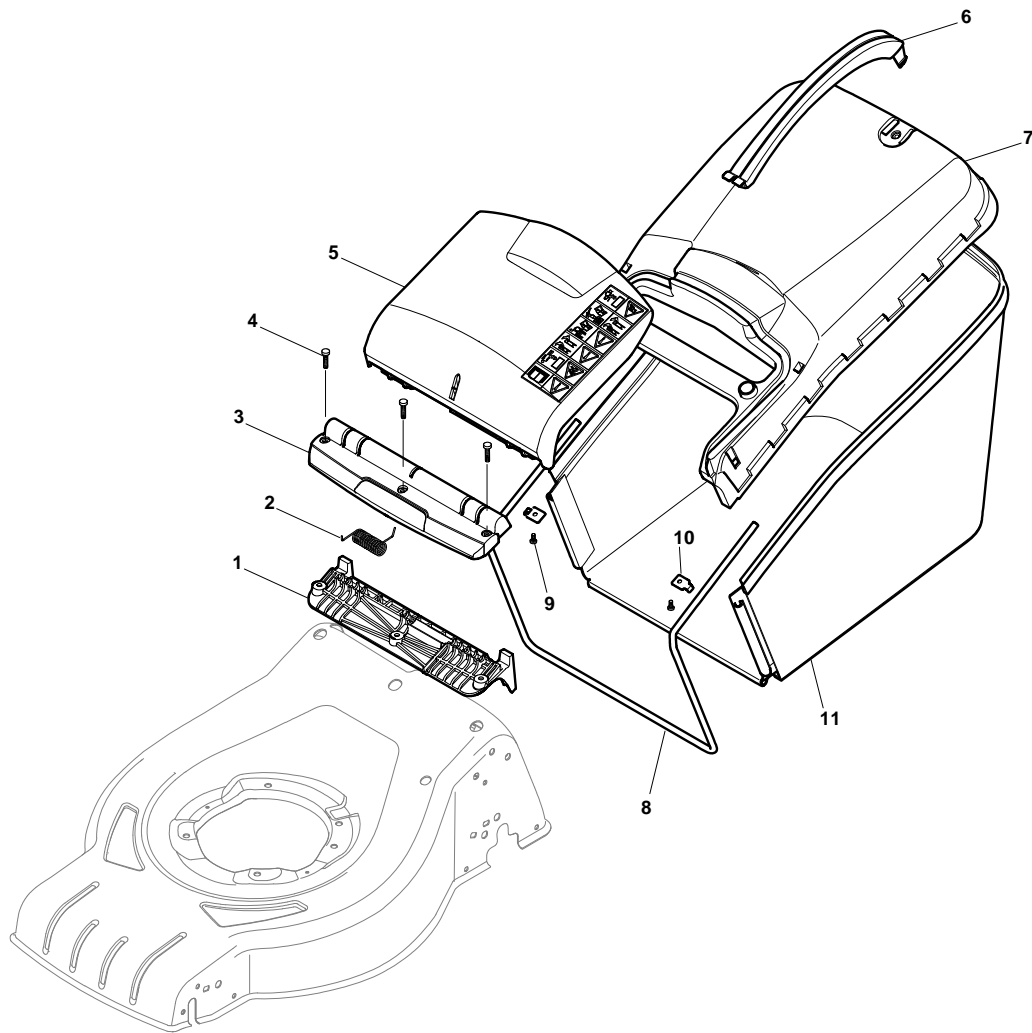
Pos. Fig.	Antal Quantity	Art No Part No	Benämning	Description	Anmärkning Notes
1	1	381006739/0	Styre-överdel	Handle, Upper Part	
1	1	381006745/0	Styre-överdel	Handle, Upper Part with sponge handgrip	
2	1	22430313/0	Snörhillare	Guide Spring	
3	1	12521330/0	Bricka	Washer	
4	1	12154510/0	Mutter	Nut	
5	1	118390020/0	Kabelhållare	Fairlead	
6	1	181003363/0	Reglagebygel	Lever, Engine Brake	
7	1	181030056/0	Motorbromswire	Cable, Thread Eng. Brake	
8	1	12727783/0	Skruv	Screw	
9	1	12154510/0	Mutter	Nut	
12	1	181005511/0	Gaswire	Throttle Cable	



Pos. Fig.	Antal Quantity	Art No Part No	Benämning	Description	Anmärkning Notes
1	2	381007450/0	Hjul Ø 180	Wheel Ø 180	
2	4	19216035/0	Kullager	Bearing	
3	2	322110638/0	Navkapsel-grå	Hub Cap Grey	
5	2	381007456/0	Hjul Ø 240	Wheel Ø 240	
6	4	19216035/0	Kullager	Bearing	
9	2	322110639/0	Navkapsel-grå	Hub Cap Grey	



Pos. Fig.	Antal Quantity	Art No Part No	Benämning	Description	Anmärkning Notes
1	3	112735108/1	Skruv	Screw	
1	2	112735108/1	Skruv	Screw	
1	1	112735109/1	Skruv	Screw	
2	1	122463020/1	Knivfäste	Hub, Crankshaft Ø 25	
2	1	22463012/2	Knivfäste	Hub, Crankshaft Ø 22.2	
3	1	81004341/3	Kniv	Blade Standard	
3	1	81004346/3	Kniv	Blade Standard	
4	1	22160400/0	Bricka	Elastic Washer	
5	1	12523080/0	Bricka	Washer	
6	1	12735698/0	Skruv	Screw	
7	1	12139100/0	Kil	Feather, Crankshaft Ø 22.2	
7	1	12139150/0	Kil	Feather, Crankshaft Ø 25	



Pos. Fig.	Antal Quantity	Art No Part No	Benämning	Description	Anmärkning Notes
1	1	322785331/0	Stöd	Support	
2	1	122450464/0	Fjäder	Spring	
3	1	322109556/0	Kåpa	Cover	
4	3	112728699/0	Skruv	Screw	
5	1	322600214/0	Lucka	Stone-Guard	
6	1	322393646/0	Handtag	Handle	
7	1	322486264/0	Uppsamlare-överdel	Grassbox Upper Part	
8	1	122608561/0	Trådbygel	Stiffening Lower	
9	2	322545159/0	Plåt	Plate	
10	2	12728692/0	Skruv	Screw	
11	1	181002318/0	Uppsamlingsäck	Box, Fabric	