

Genuine Spare Parts

www.stiga.com

COLLECTOR 46 S Model Year 2011

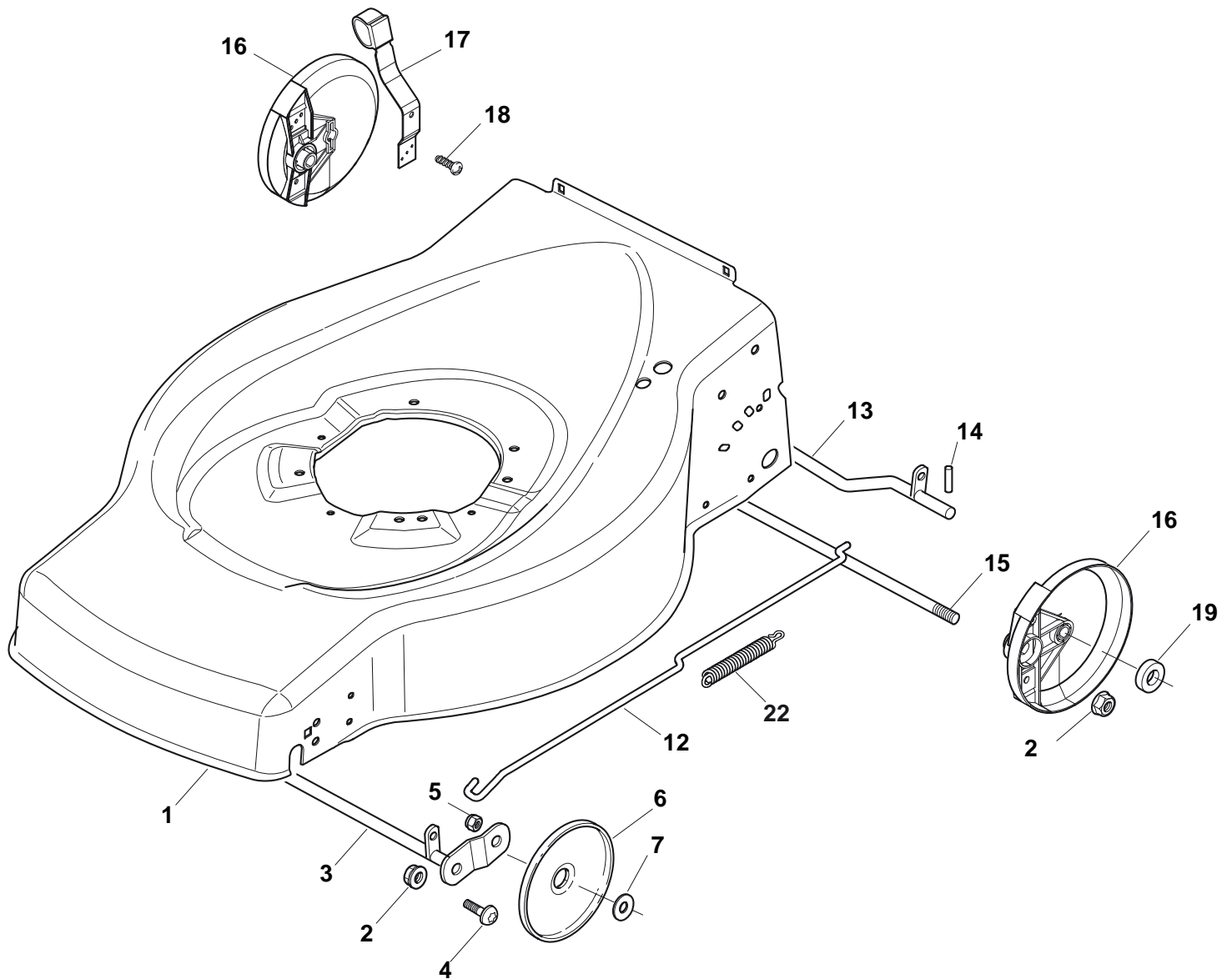
- Use GLOBAL GARDEN PRODUCT Genuine Spare Parts specified in the parts list for repair and/or replacement.
- The contents described in the parts list may change due to improvement.
- The drawings of the spare parts are only indicative and might not represent the part in question exactly.
- The indications "right" - "left" - "front" - "rear" refer to the position of the operator when using the machine.
- When placing orders of parts for repair and/or replacement, make sure that the illustrated parts list is the one applying to the machine's year of manufacture, as shown on the identification plate attached to the machine.

COPYRIGHT by GLOBAL GARDEN PRODUCTS

All rights reserved. No part of this material may be reproduced or transmitted, in any form or by any means, electronic or mechanical, including photocopying, recording or by any information storage and retrieval system, without permission in writing from GLOBAL GARDEN PRODUCTS.



COLLECTOR 46 S

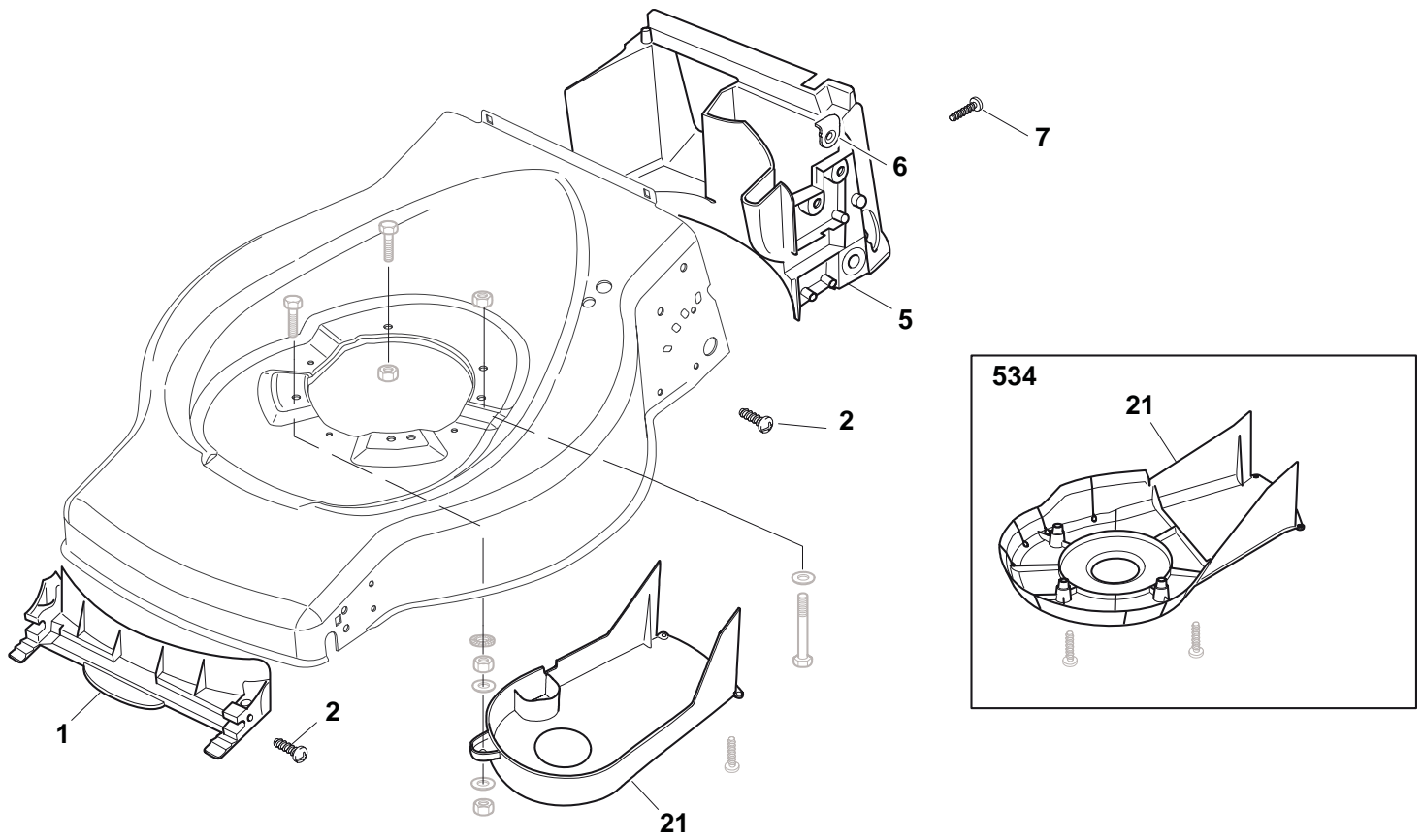




COLLECTOR 46 S

Pos. Fig.	Antal Quantity	Art No Part No	Benämning	Description	Anmärkning Notes
1	1	81002538/0	Chassi-röd	Deck Red	
2	2	12155000/0	Mutter	Nut	
3	1	81000153/0	Hjulaxel-fram	Axle, Front Wheels	
4	2	12760600/0	Skruv	Screw	
5	2	22131750/0	Mutter	Nut	
6	2	22600095/0	Hjulskydd	Protection, Wheel	
7	2	22671651/0	Bricka	Washer	
12	1	22033317/0	Justerstång	Adjustment Rod	
13	2	81000159/0	Hjulaxel-bakre	Axle, Rear Wheels	
14	2	22753001/0	Stift	Pin	
15	2	22033364/0	Hjulaxel-bakre	Axle, Rear Wheels	
16	2	22600106/1	Hjulskydd	Protection, Wheel	
17	1	81003303/0	Höjdinställningsspak	Lever, Height Adjustment	
18	2	12728689/0	Skruv	Screw	
19	4	22122202/0	Distans	Spacer	

COLLECTOR 46 S

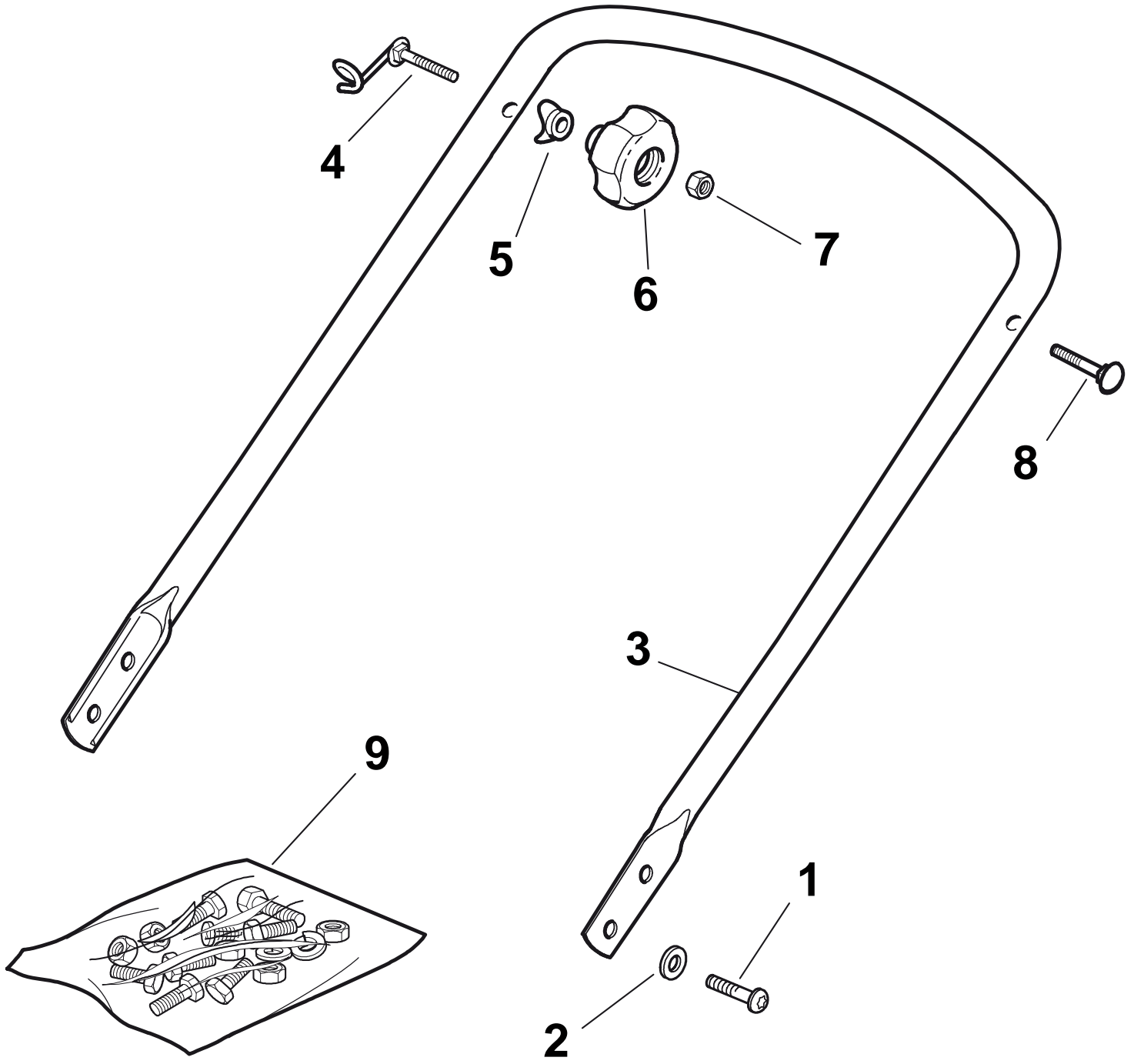




COLLECTOR 46 S

Pos. Fig.	Antal Quantity	Art No Part No	Benämning	Description	Anmärkning Notes
1	1	22108271/0	Ledplåt-främre	Front Conveyor Assy	
2	6	12728686/0	Skruv	Screw	
5	1	22108272/2	Ledplåt-främre	Rear Conveyor Assy	
6	4	322545189/0	Plåt	Plate	
7	2	12728686/0	Skruv	Screw	
21	1	22060212/0	Skydd-va	Protection, Belt	

COLLECTOR 46 S

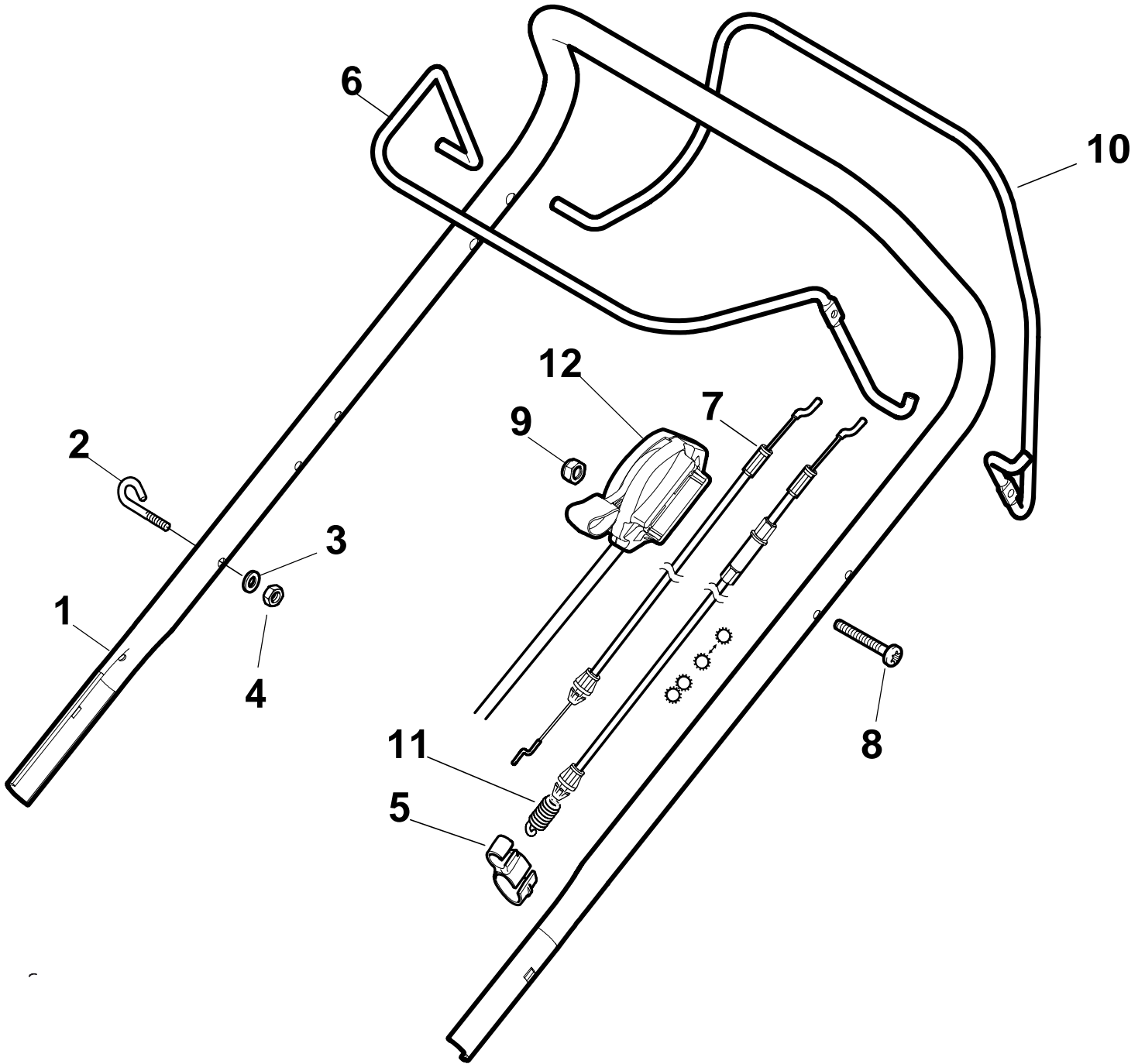




COLLECTOR 46 S

Pos. Fig.	Antal Quantity	Art No Part No	Benämning	Description	Anmärkning Notes
1	4	12760605/0	Skruv	Screw	
2	4	12521350/0	Bricka	Washer	
3	1	81006570/0	Styre-underdel	Handle, Lower Part	
4	1	81003801/1	Fjäder	Guide Spring	
5	2	22680006/1	Bricka	Washer	
6	2	322399804/1	Knopp	Knob	
7	2	12293200/0	Mutter	Nut	
8	1	12819201/0	Skruv	Screw	
9	1	81008648/1	Skruvsats	Outfit, Screws	

COLLECTOR 46 S

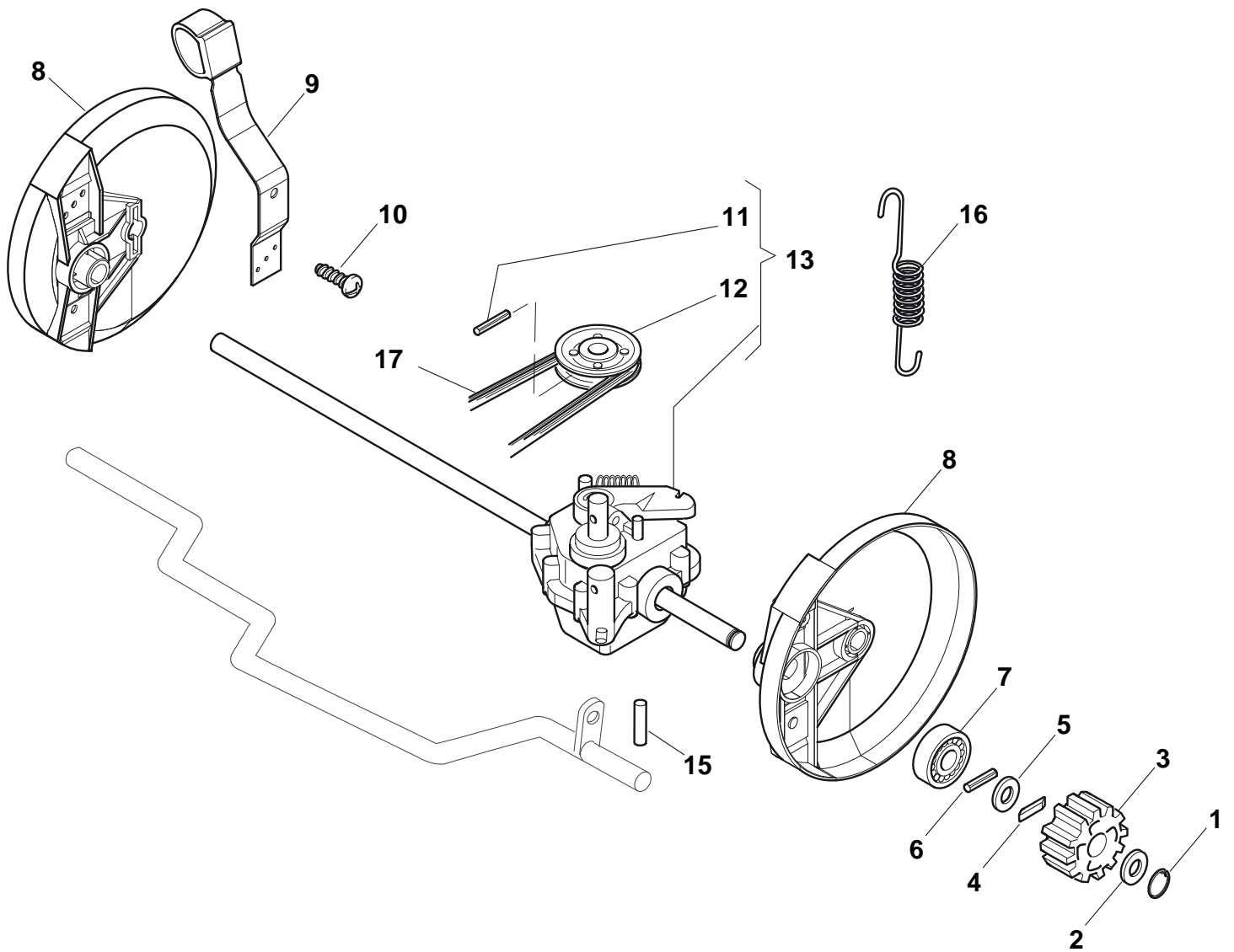




COLLECTOR 46 S

Pos. Fig.	Antal Quantity	Art No Part No	Description	Benämning	Anmärkning Notes
1	1	381006739/0	Handle, Upper Part	Styre-överdel	
1	1	381006745/0	Handle, Upper Part with sponge handgrip	Styre-överdel	
2	1	22430313/0	Guide Spring	Ögla	
3	1	12521330/0	Washer	Bricka	
4	1	12154510/0	Nut	Mutter	
5	1	118390020/0	Fairlead	Kabelhållare	
6	1	181003363/1	Lever, Engine Brake	Reglagebygel	Black
7	1	181030054/0	Cable, Thread Eng. Brake	Motorbromswire	
8	1	12727783/0	Screw	Skruv	
9	1	12154510/0	Nut	Mutter	
10	1	181003364/0	Lever, Driving	Reglagebygel-drivning	Black
11	1	381030082/0	Cable, Rear Drive	Kopplingswire	
12	1	181005519/0	Throttle Cable	Gaswire	

COLLECTOR 46 S

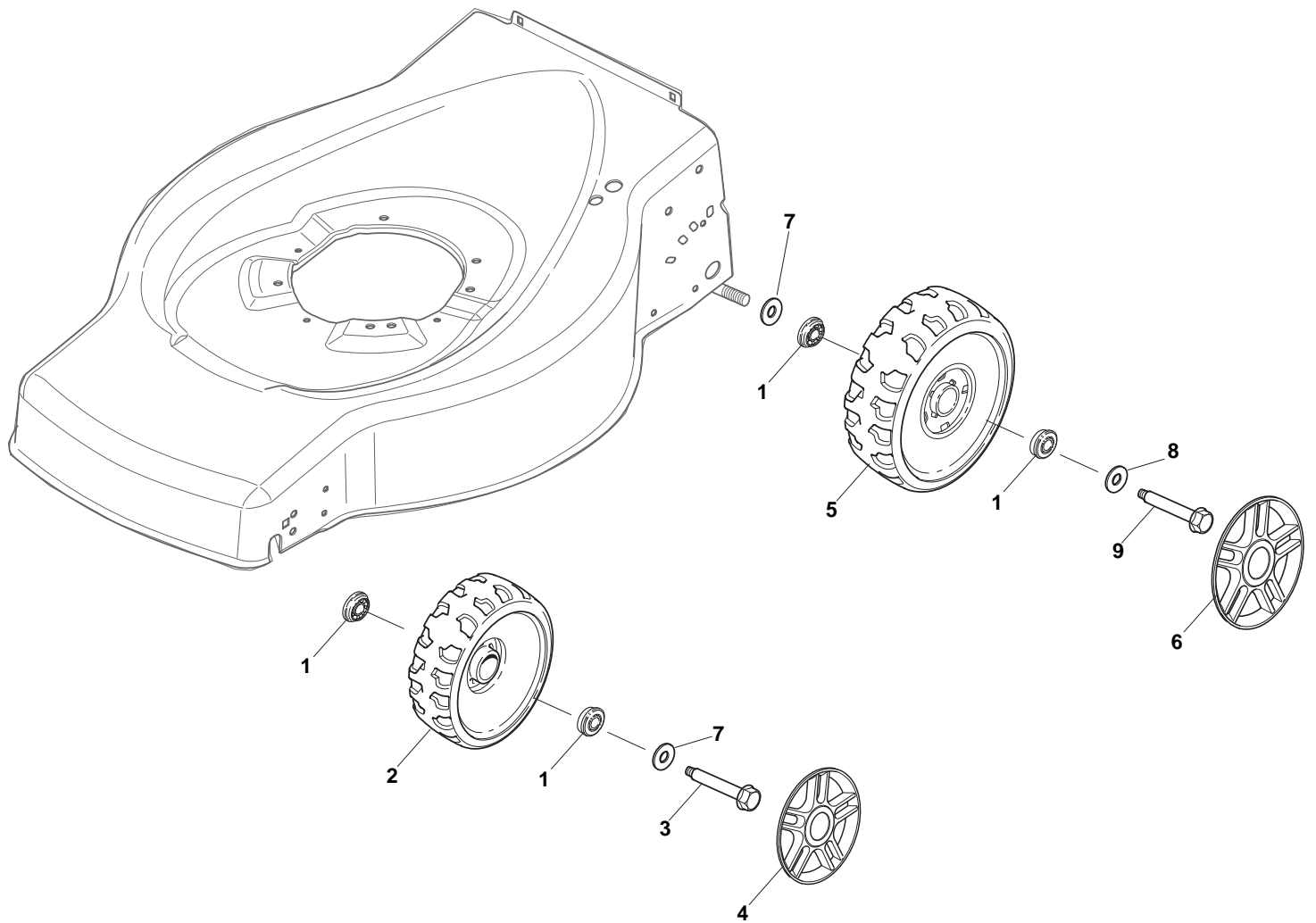




COLLECTOR 46 S

Pos. Fig.	Antal Quantity	Art No Part No	Benämning	Description	Anmärkning Notes
1	2	12608520/0	Låsbricka	Seeger	
2	2	22160520/0	Dammskydd	Dust Cover	
3	2	22570125/0	Drev	Pinion	
4	2	22076645/0	Chassi-röd	Key	
5	2	22160520/0	Dammskydd	Dust Cover	
6	2	12622620/0	Stift	Pin	
7	2	22122202/0	Distans	Spacer	
8	2	22600106/1	Hjulskydd	Protection, Wheel	
9	1	81003303/0	Höjdinställningsspak	Lever, Height Adjustment	
10	2	12728689/0	Skruv	Screw	
11	1	12713801/0	Skruv	Dowel	
12	1	22601909/0	Remskiva	Pulley	
13	1	181003093/1	Transmission	Gear Box	
15	2	22753001/0	Stift	Pin	
16	1	22450438/0	Fjäder	Spring	
17	1	35063750/0	Drivrem	Belt	

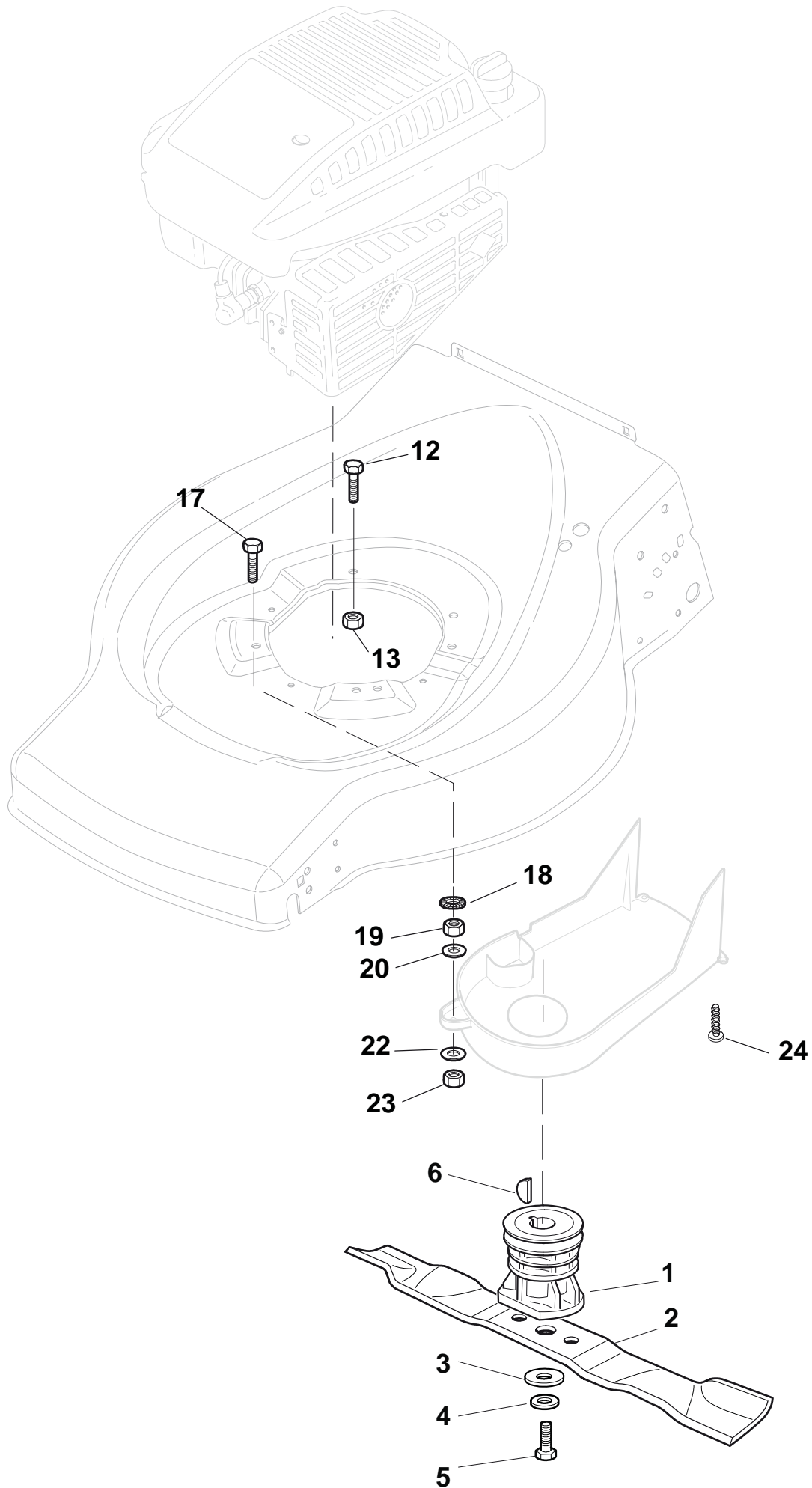
COLLECTOR 46 S





COLLECTOR 46 S

Pos. Fig.	Antal Quantity	Art No Part No	Benämning	Description	Anmärkning Notes
1	8	22122200/0	Panel	Bearing	
2	2	22686091/1	Hjul Ø 165	Wheel Ø 165	
3	4	22524341/0	Stift	Pin	
4	2	22110491/0	Navkapsel-grå	Hub Cap Grey	
5	2	22686092/0	Hjul Ø 190	Wheel Ø 190	
6	2	22110492/0	Navkapsel-grå	Hub Cap Grey	
7	4	22675100/0	Bricka	Washer	
8	2	12523050/0	Bricka	Washer (Hydro)	
9	2	12735599/0	Skruv	Screw	

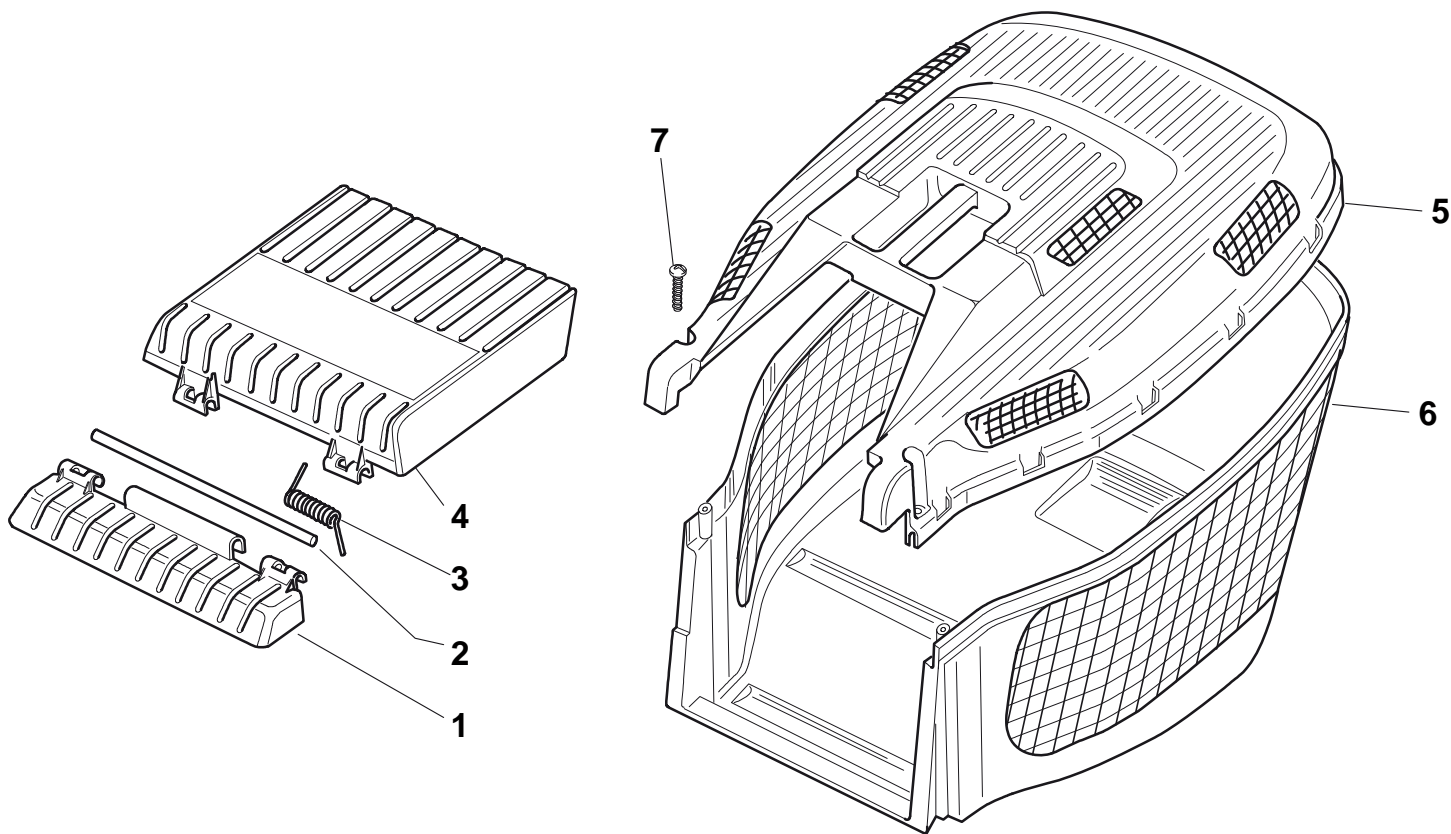
COLLECTOR 46 S



COLLECTOR 46 S

Pos. Fig.	Antal Quantity	Art No Part No	Benämning	Description	Anmärkning Notes
1	1	122465607/3	Fläkt Ø 22.2	Hub With Pulley, Crankshaft Ø 22.2	
2	1	81004365/3	Kniv	Blade	
3	1	22160400/0	Dammskydd	Dust Cover	
4	1	12523080/0	Bricka	Washer	
5	1	12735698/0	Skruv	Screw	
6	1	12139100/0	Kil	Feather, Crankshaft Ø 22.2	
12	2	12793701/0	Skruv	Screw	
13	2	12293201/0	Mutter	Nut	
17	1	12691115/0	Skruv	Left Screw	
18	1	12540060/0	Bricka	Washer	
19	1	12293200/0	Mutter	Nut	
20	1	22671651/0	Bricka	Washer	
22	1	25670011/0	Bricka	Washer	
23	1	12155000/0	Mutter	Nut	
24	2	12728686/0	Skruv	Screw	

COLLECTOR 46 S

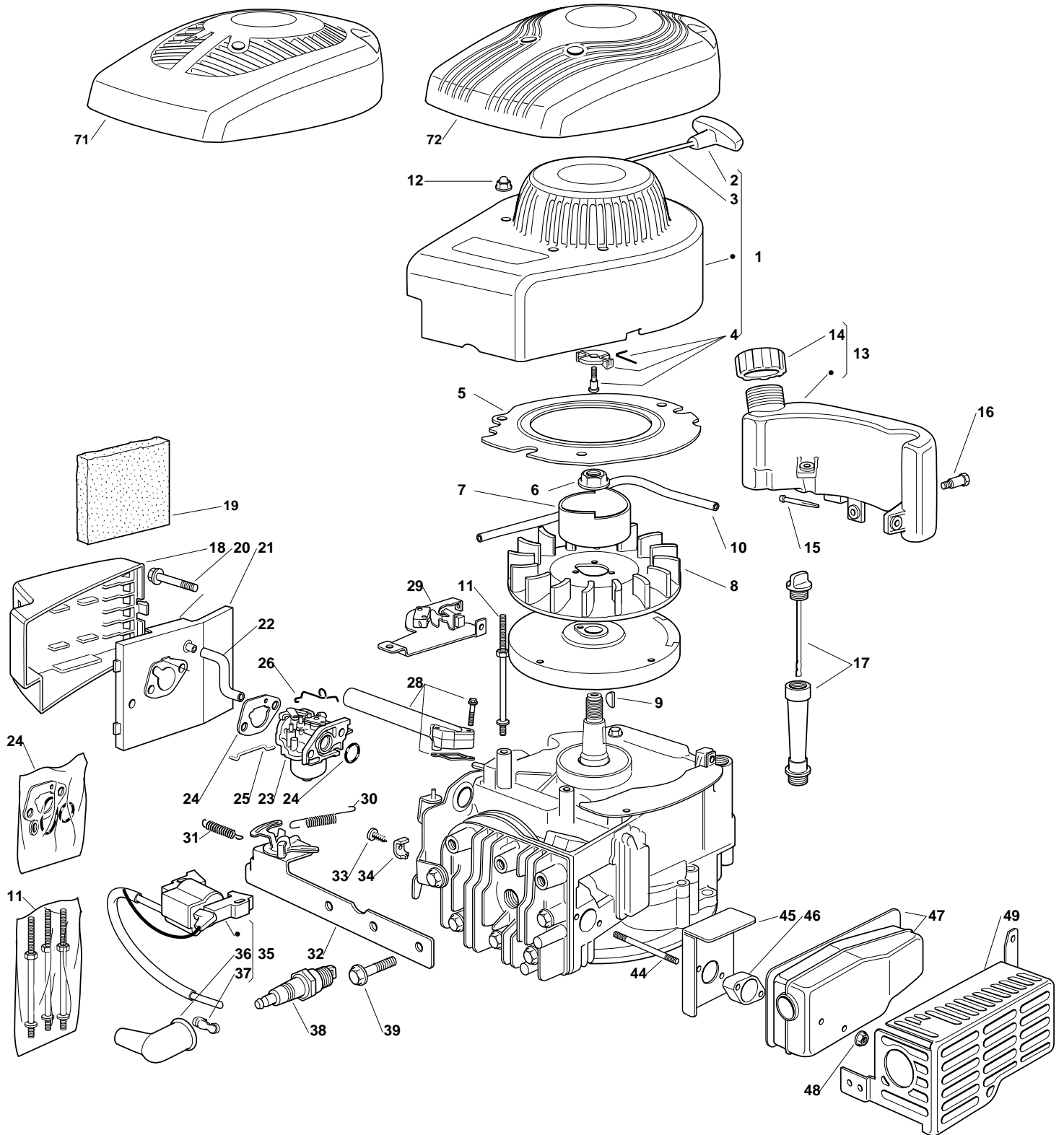




COLLECTOR 46 S

Pos. Fig.	Antal Quantity	Art No Part No	Benämning	Description	Anmärkning Notes
1	1	22785136/1	Fäste	Support	
2	1	22517858/0	Stift	Pin	
3	1	22450431/0	Fjäder	Spring	
4	1	322600099/1	Lucka	Stone-Guard	
5	1	22486122/0	Uppsamlare-överdel	Grassbox Upper Part	
6	1	22486128/0	Uppsamlare-underdel	Grassbox Lower Part	
7	2	12728686/0	Skruv	Screw	

COLLECTOR 46 S

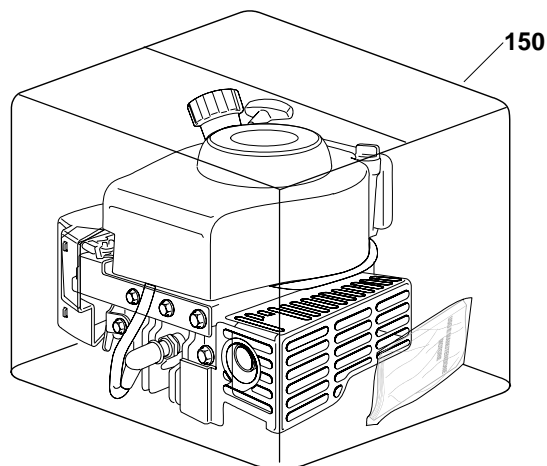
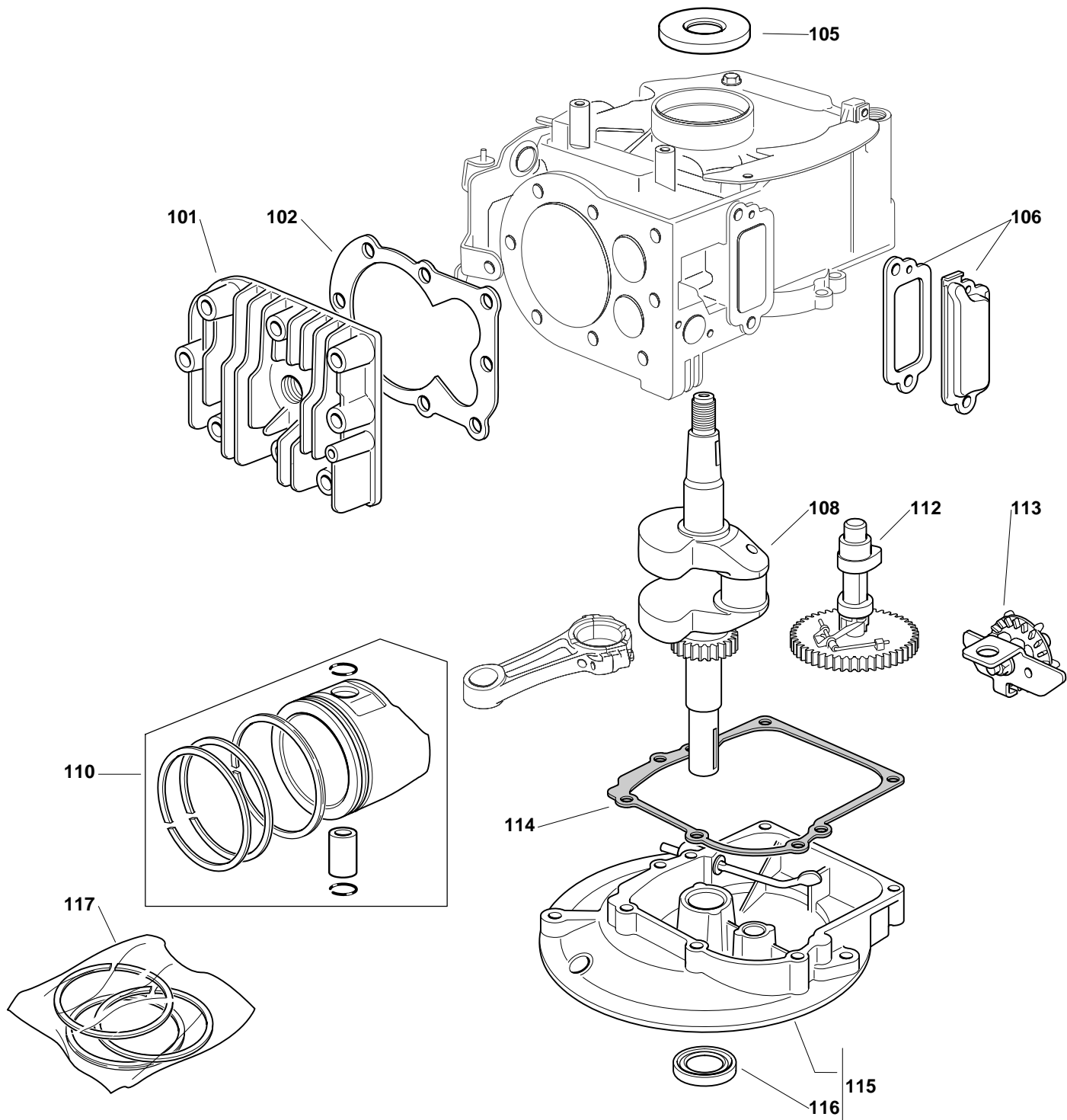




COLLECTOR 46 S

Pos. Fig.	Antal Quantity	Art No Part No	Benämning	Description	Anmärkning Notes
1	1	118550139/1	Start kpl	Starter Assy	
2	1	18550052/0	Starthandtag	Starter Handle	
3	1	18550053/0	Starter Cord	Starter Cord	
4	1	18550004/1	Starter Pawl Set	Starter Pawl Set	
5	1	18550138/0	Deflektor	Deflector	
6	1	18550056/0	Mutter	Nut	
7	1	18550140/0	Startkopp	Starter Cup	
8	1	18550154/0	Fläkt	Impeller	
9	1	18550197/0	Kil	Flywheel Key	
10	1	18550005/0	Fuel Hose	Fuel Hose	
11	1	18550142/0	Screw Set	Screw Set	
12	3	18550007/0	Mutter	Nut	
13	1	18550143/0	Tank	Tank	
14	1	18550001/0	LockLock	Fuel Cap	
15	1	18550141/0	Bränslefilter	Screen	
17	1	18550008/0	Dipstick Assy	Dipstick Assy	
18	1	18550133/0	LufffilterlockLufffilterlock	Air Cleaner Cover	
19	1	18550011/0	Lufffilterhållare	Air Filter	
20	2	18550010/0	Skruv	Screw	
21	1	18550125/1	Lufffilterhus	Air Cleaner Base	
22	1	18550013/0	Oljeslang	Breather Tube	
23	1	18550148/0	Förgasare	Carburettor Assy	
24	1	18550019/0	Carburettor Gasket Set	Carburettor Gasket Set	
25	1	18550017/0	Chokearm	Governor Link	
26	1	18550149/0	Gasreglagelänk	Choke Lever	
28	1	18550129/0	Insugningsrör	Intake Manifold Assy	
29	1	18550021/0	Brom	Brake	
30	1	18550151/0	Governor Spring	Governor Spring	
31	1	18550150/0	Fjäder	Linking Spring	
32	1	18550152/0	Control Bracket	Control Bracket	
33	1	18550023/0	Skruv	Screw	
34	1	18550022/0	Casing Clamp	Casing Clamp	
35	1	18550126/0	Magneto Armature	Magneto Armature	
36	1	18550127/0	Tändstiftshatt	Spark Plug Elbow Cover	
37	1	18550071/0	Tändstiftsfjäder	Spark Plug Terminal	
38	1	18550134/0	Tändstift	Spark Plug	
39	8	18550128/0	Skruv	Screw	
44	2	18550027/0	Double-Screw Bolt	Double-Screw Bolt	
45	1	18550028/0	Ljuddämparskydd	Gasket, Muffler	
46	1	18550030/0	Spacer, Muffler	Spacer, Muffler	
47	1	118550031/1	Ljuddämpare	Muffler	
48	2	18550032/0	Mutter	Nut	
49	1	18550033/0	Ljuddämparskydd	Muffler Guard	
71	1	22055436/0	Kåpa Sv40	Cover Sv40	
72	1	22055437/0	Kåpa Rv40	Cover Rv40	

COLLECTOR 46 S





COLLECTOR 46 S

Pos. Fig.	Antal Quantity	Art No Part No	Benämning	Description	Anmärkning Notes
101	1	118550360/0	Cylinder Head Assy	Cylinder Head Assy	
102	1	118550359/0	Cylinder Head Gasket	Cylinder Head Gasket	
105	1	18550131/0	Tätningring	Seal Ring	
106	1	118550364/0	Packning	Gasket Assy	
108	1	118550361/0	Vevaxel	Crankshaft	
110	1	118550357/0	Kolv kpl	Piston Assy	
112	1	118550356/0	Camshaft Assy	Camshaft Assy	
113	1	118550363/0	Speed Governor Assy	Speed Governor Assy	
114	1	18550130/0	Packning	Crankcase Gasket	
115	1	118550362/0	Vevhus	Crankcase Cover Assy	
116	1	18550131/0	Tätningring	Seal Ring	
117	1	118550358/0	Piston, Ring Set	Piston, Ring Set	
150	1	118550157/1	M150 Engine Assembled	M150 Engine Assembled	