



Reservdelskatalog Parts Catalogue

Villa 12

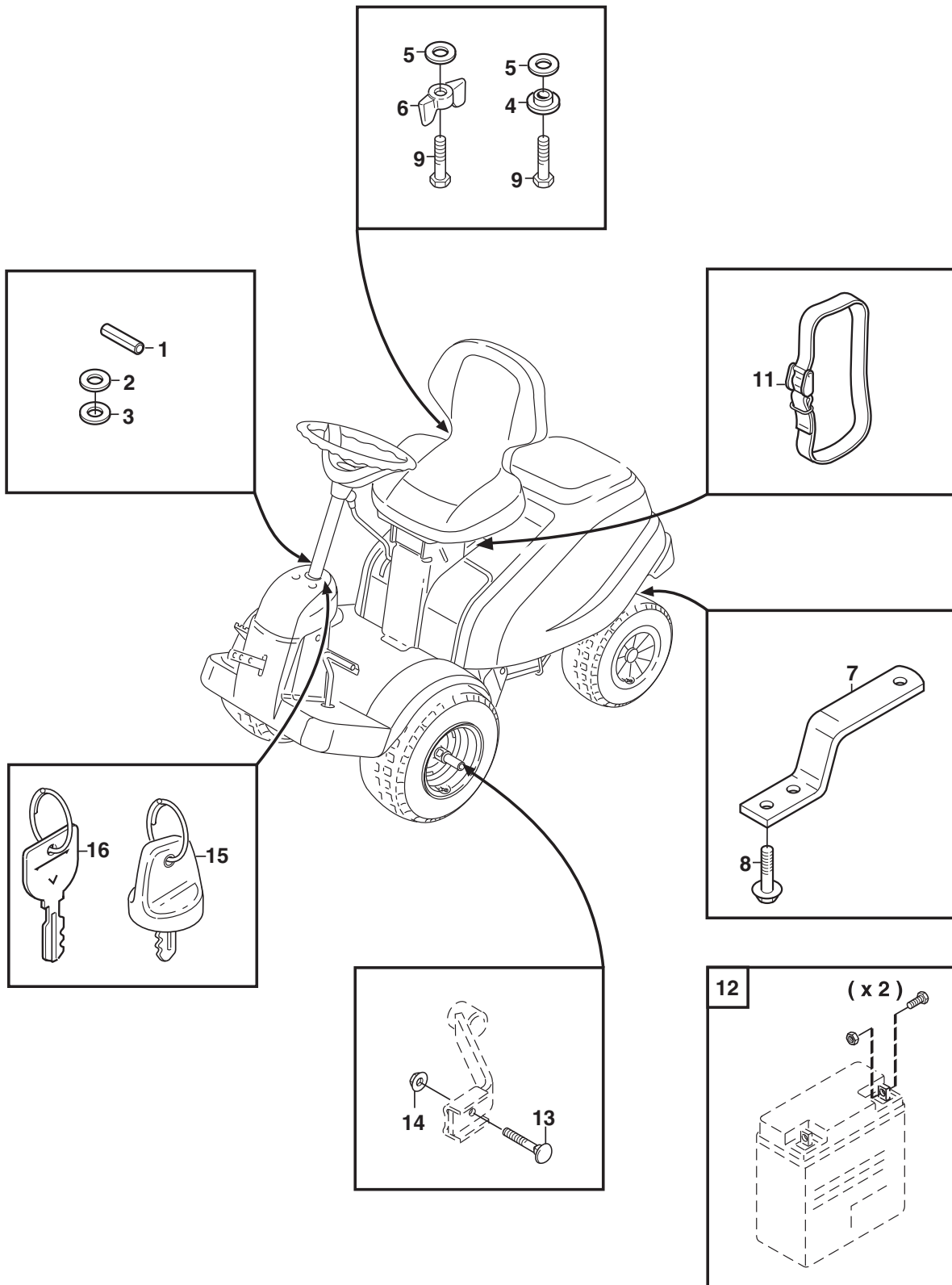
2F2700141/S16 - Season 2016

- Use GLOBAL GARDEN PRODUCT Genuine Spare Parts specified in the parts list for repair and/or replacement.
 - The contents described in the parts list may change due to improvement.
 - The drawings of the spare parts are only indicative and might not represent the part in question exactly.
 - The indications "right" - "left" - "front" - "rear" refer to the position of the operator when using the machine.
- When placing orders of parts for repair and/or replacement, make sure that the illustrated parts list is the one applying to the machine's year of manufacture, as shown on the identification plate attached to the machine.

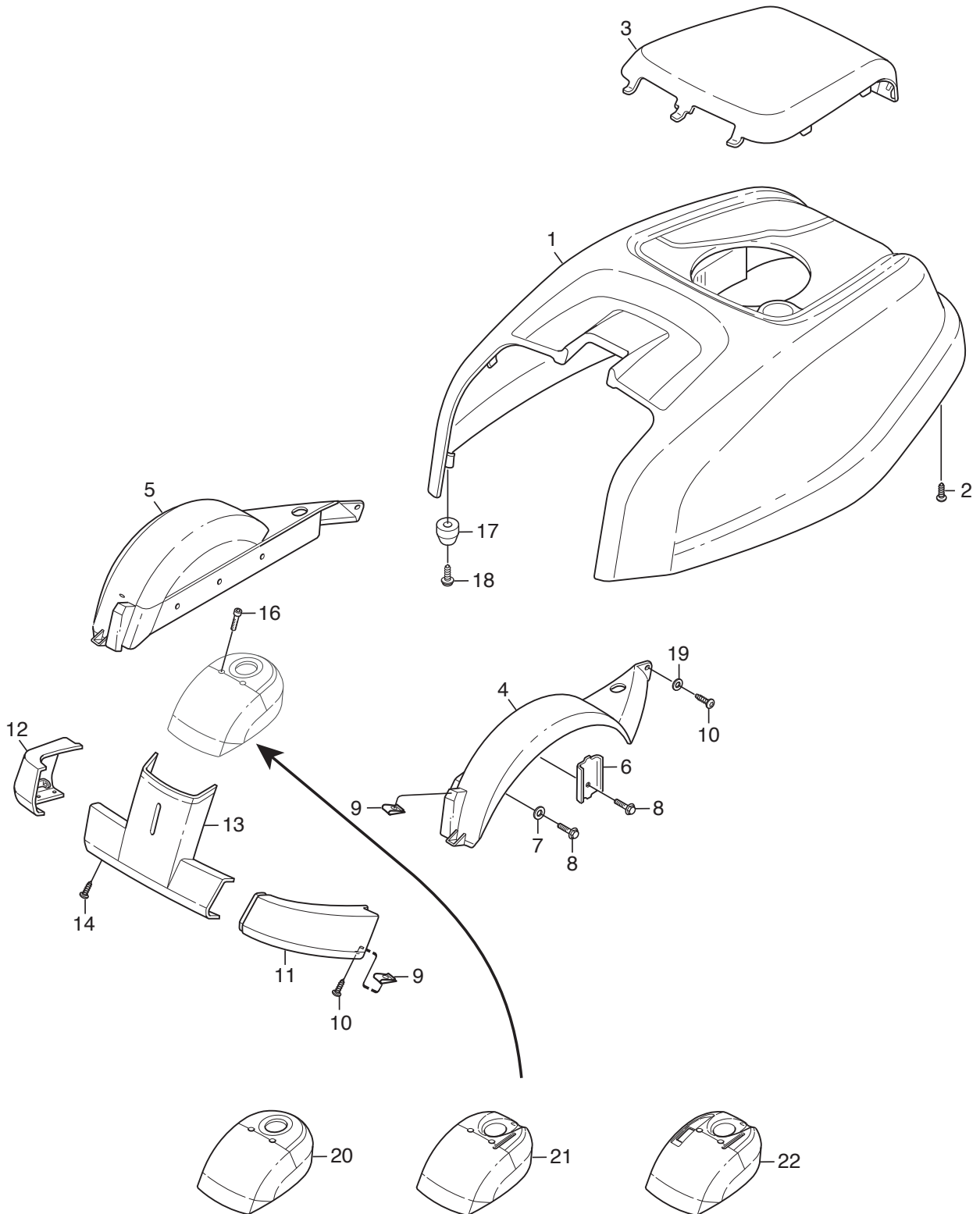
© Copyright 2016 Global Garden Products

All rights reserved. No part of this material may be reproduced or transmitted, in any form or by any means, electronic or mechanical, including photocopying, recording or by any information storage and retrieval system, without permission in writing from GLOBAL GARDEN PRODUCTS.

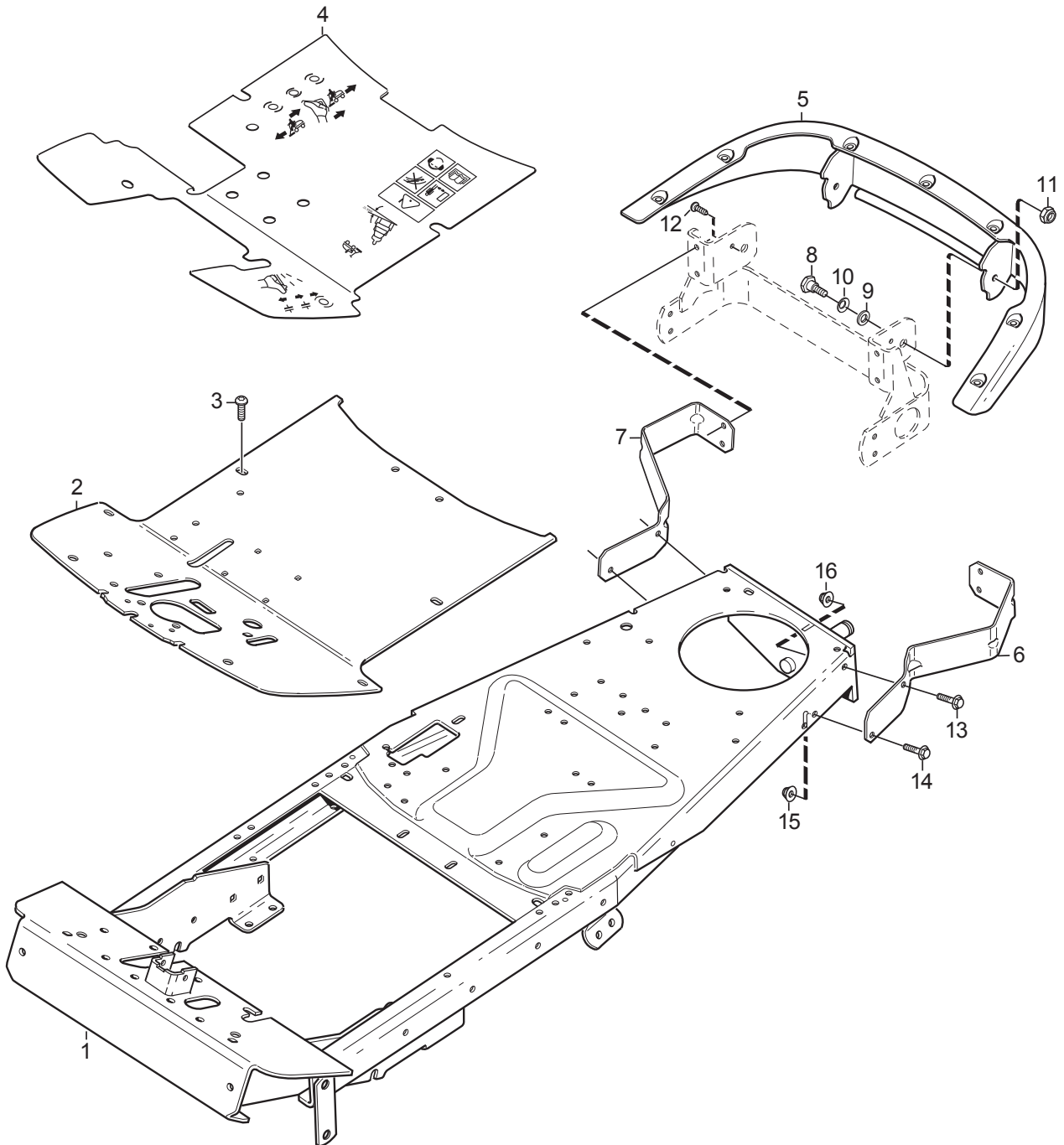
www.stiga.com



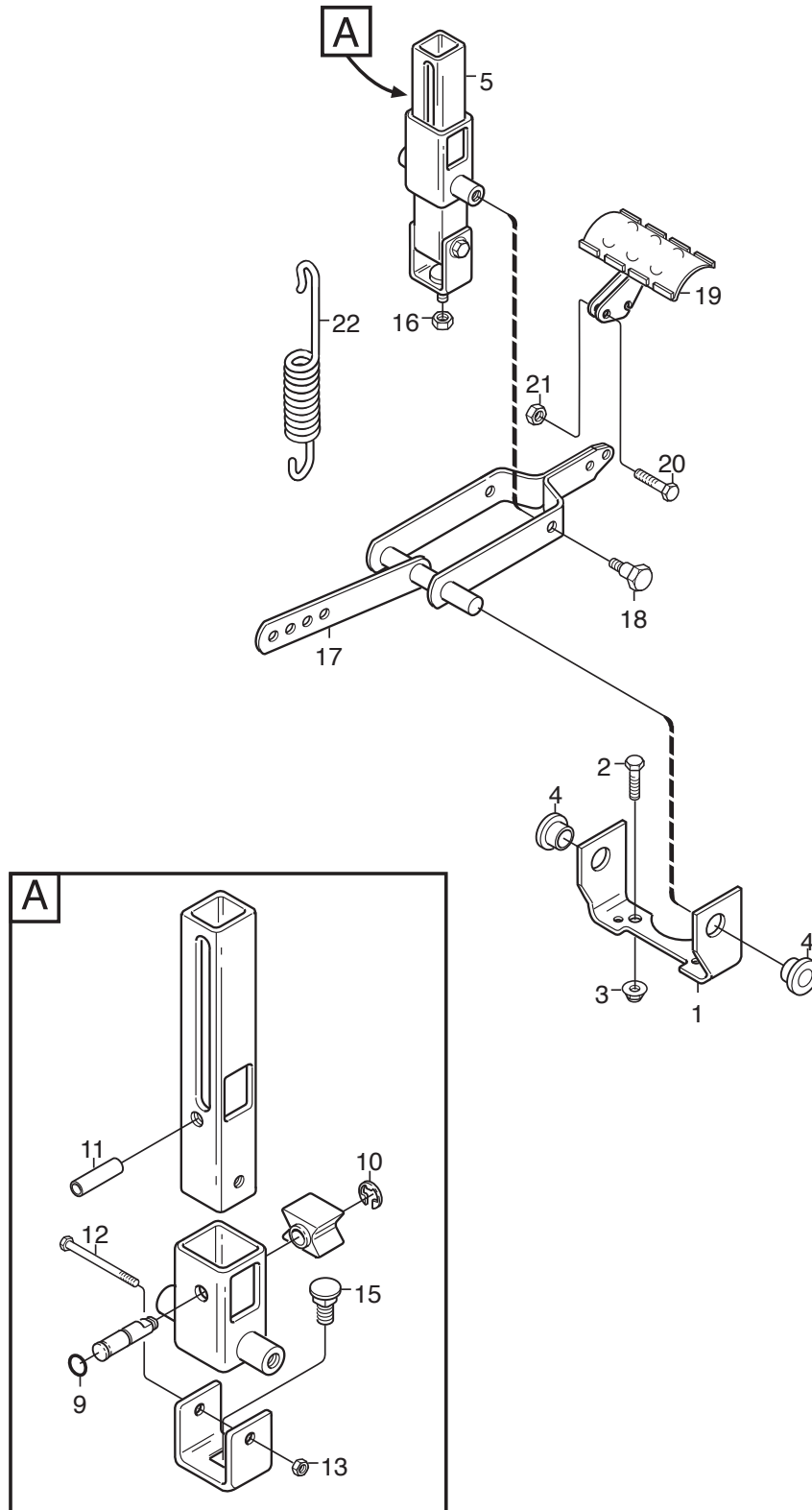
| Utgåva Issue 7 - 2016 | | Monteringsdetaljer Assembly parts | | | |
|-----------------------------|---------------|--------------------------------------|-----------------|---------------|---------------------|
| Pos. Fig. | Antal Q.ty | Art nr Part No | Benämning | Description | Anmärkning Notes |
| 1 | 1 | 9595-0262-00 | Spännstift | Locating Pin | |
| 2 | 1 | 9699-0103-02 | Bricka | Washer | 0.5 mm |
| 3 | 1 | 9699-0114-02 | Bricka | Washer | 1.0 mm |
| 4 | 2 | 1134-4185-01 | Ansatsbricka | Flange Washer | |
| 5 | 4 | 112523060/0 | Bricka | Washer | |
| 6 | 2 | 1134-4481-01 | Vingmutter | Wing Nut | |
| 7 | 1 | 1134-4627-01 | Dragkrok | Tow Bar | |
| 8 | 2 | 9959-0820-16 | Skruv | Screw | |
| 9 | 4 | 112793102/0 | Skruv | Screw | |
| 15 | 1 | 1134-4734-01 | Tändningsnyckel | Ignition Key | |
| 16 | 1 | 1134-6125-01 | Tändningsnyckel | Ignition Key | |
| 11 | 1 | 1134-5245-01 | Batterirem | Battery Strap | |
| 12 | 1 | 1134-6113-01 | Skruv | Screw | |
| 13 | 2 | 9898-1035-16 | Skruv | Screw | |
| 14 | 2 | 9739-1031-22 | Mutter | Nut | |



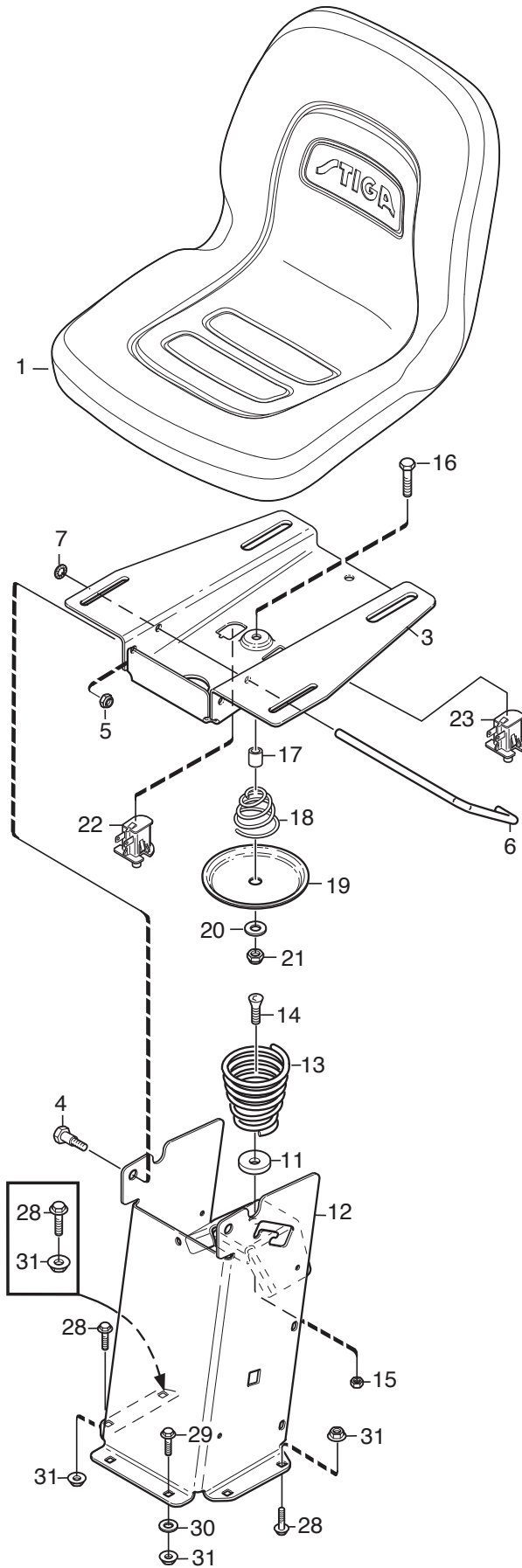
| Utgåva Issue 7 - 2016 | | Kaross Body Work | | | |
|-----------------------------|---------------|---------------------|--------------------------|------------------------|---------------------|
| Pos. Fig. | Antal Q.ty | Art nr Part No | Benämning | Description | Anmärkning Notes |
| 1 | 1 | 1134-5283-02 | Motorhuv Gul | Engine Hood Yellow | |
| 2 | 7 | 9838-9530-12 | Skruv | Screw | |
| 3 | 1 | 337110333/0 | Motorlucka-Gra | Engine Cover-Grey | |
| 4 | 1 | 337491253/0 | Stötfangare, fram-hö | Mud Guard-Lh (Grey) | |
| 5 | 1 | 337491252/0 | Skärm-Hö (Gra) | Mud Guard-Rh (Grey) | |
| 6 | 2 | 1137-0088-01 | Stödplat | Support Plate | |
| 7 | 4 | 112523060/0 | Bricka | Washer | |
| 8 | 6 | 9945-0816-16 | Skruv | Screw | |
| 9 | 4 | 1134-4176-01 | Clips | Clips | |
| 10 | 4 | 9893-0616-16 | Skruv Relä | Screw Relay | |
| 11 | 1 | 337502509/0 | Stötfangare Front-Vä Gra | Bumper Front-Lh (Grey) | |
| 12 | 1 | 337502508/0 | Stötfangare Front-Hö Gra | Bumper Front-Rh (Grey) | |
| 13 | 1 | 1134-5305-01 | Front Nedre Gul | Lower Hood Yellow | |
| 14 | 6 | 9893-0616-16 | Skruv Relä | Screw Relay | |
| 16 | 2 | 9946-0525-16 | Skruv | Screw | |
| 17 | 2 | 1134-4790-02 | Styrning | Hood Guide (Black) | |
| 18 | 2 | 9838-9530-12 | Skruv | Screw | |
| 19 | 2 | 9699-0060-02 | Bricka | Washer | |
| 20 | 1 | 1134-5304-01 | Front Övre (Gul) 1-00 | Front Upper (Yellow) | Only for Villa 12 |



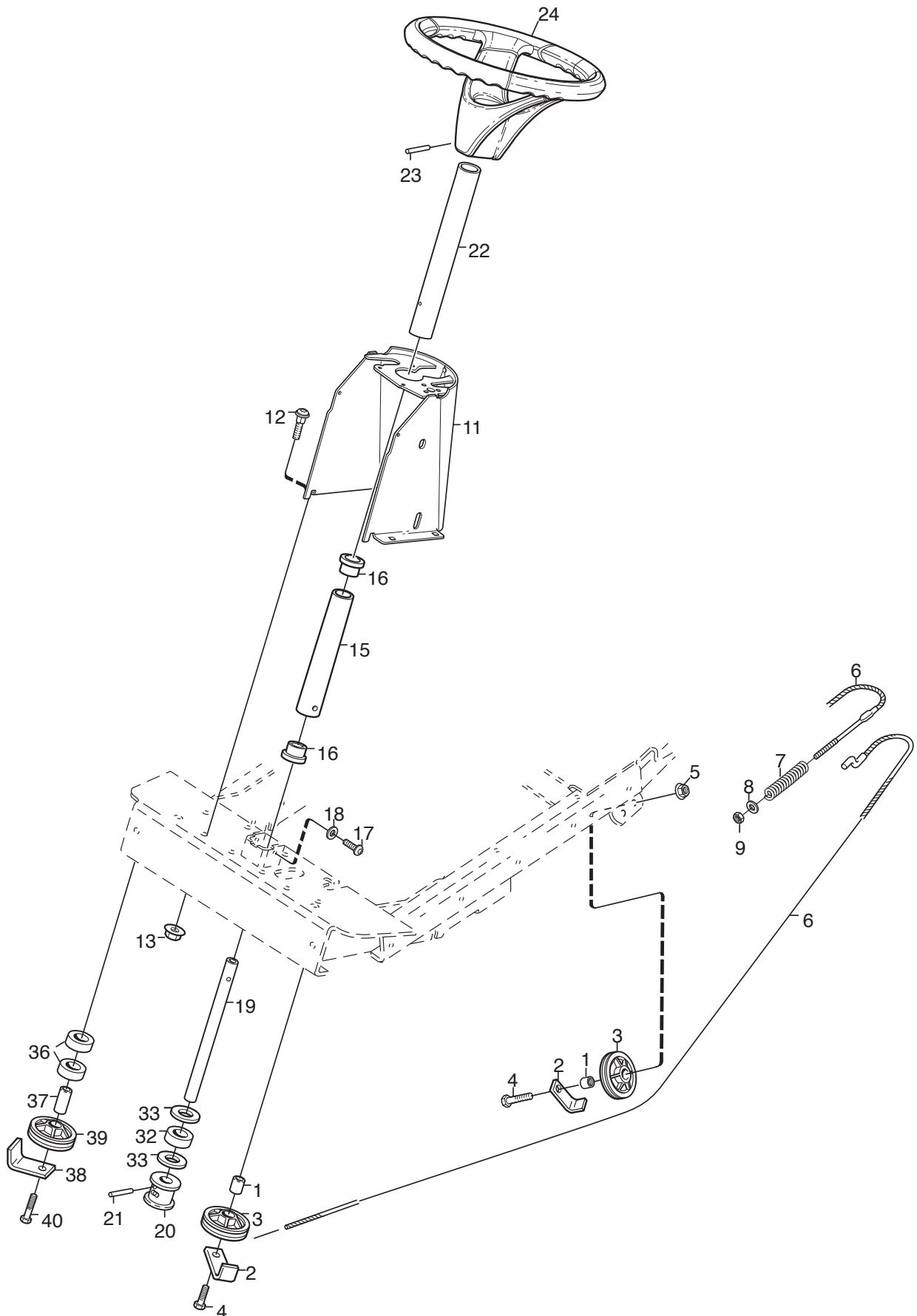
| Utgåva Issue 7 - 2016 | | Ram Frame | | | |
|-----------------------------|---------------|-------------------|-------------------|--------------------|---------------------|
| Pos. Fig. | Antal Q.ty | Art nr Part No | Benämning | Description | Anmärkning Notes |
| 1 | 1 | 1134-6635-01 | Ram Kpl (5-01) | Frame | |
| 2 | 1 | 1134-5293-02 | Durk | Floor Plate | |
| 3 | 2 | 9893-0616-16 | Skruv Relä | Screw Relay | |
| 4 | 1 | 114369180/0 | Durkmatta-Manuell | Floor Mat-Manual | Only Gear model |
| 5 | 1 | 387457005/0 | Stötfangare-bakre | Rear Bumper (Grey) | |
| 6 | 1 | 1134-6630-01 | Stag-Vä (5-01) | Attachment-Lh | |
| 7 | 1 | 387785215/0 | Stag-Hö | Attachment-Rh | |
| 8 | 2 | 1134-0240-00 | Skruv | Screw | |
| 9 | 2 | 1134-4242-01 | Distansbricka | Washer | |
| 10 | 2 | 9665-0002-00 | Bricka | Washer | |
| 11 | 2 | 112155000/0 | Mutter | Nut | |
| 12 | 2 | 9943-0516-16 | Skruv | Screw | |
| 13 | 2 | 9959-0820-16 | Skruv | Screw | |
| 14 | 2 | 9959-0825-16 | Skruv | Screw | |
| 15 | 1 | 112154220/0 | Mutter | Nut | |
| 16 | 3 | 112154220/0 | Mutter | Nut | |



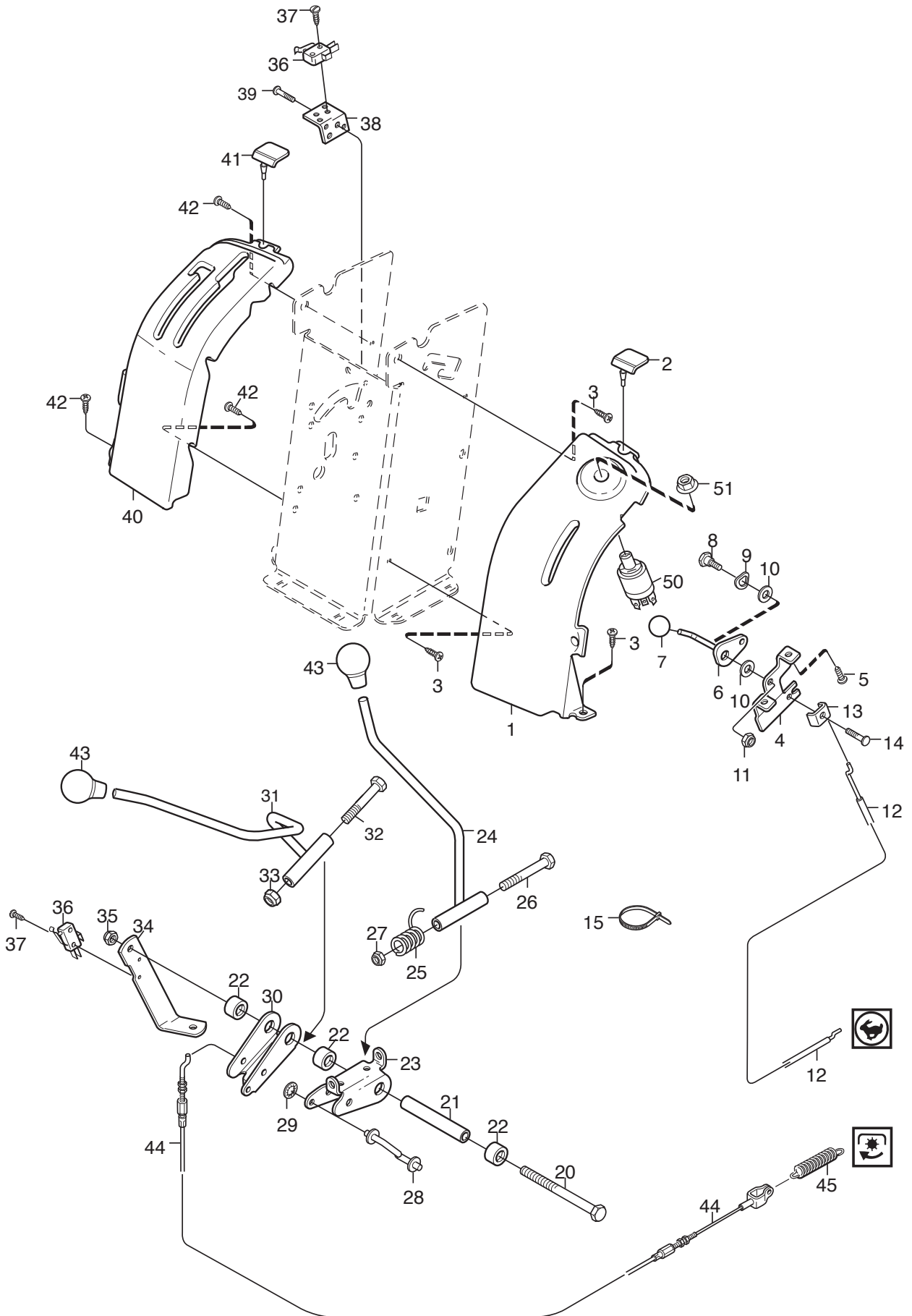
| Utgåva Issue 7 - 2016 | | Pedallyft Pedal lift | | | |
|-----------------------------|---------------|-------------------------|-----------------------|-----------------|---------------------|
| Pos. Fig. | Antal Q.ty | Art nr Part No | Benämning | Description | Anmärkning Notes |
| 1 | 1 | 1134-4117-01 | Fäste | Bracket | |
| 2 | 2 | 9959-1025-16 | Skruv | Screw | |
| 3 | 2 | 9739-1031-22 | Mutter | Nut | |
| 4 | 2 | 1134-2684-01 | Lager | Bearing | |
| 5 | 1 | 1134-4945-01 | Lyftspärr kpl | Lift Catch Assy | |
| 9 | 1 | 9404-0027-01 | O-ring | O-ring | |
| 10 | 1 | 9650-0039-04 | Sparring Sga 8 | Lock Ring | |
| 11 | 1 | 9595-0276-01 | Spiralspännstift 8*24 | Locating Pin | |
| 12 | 1 | 112689500/0 | Skruv | Screw | |
| 13 | 1 | 112154510/0 | Mutter | Nut | |
| 15 | 1 | 9897-0820-16 | Skruv | Screw | |
| 16 | 1 | 112155000/0 | Mutter | Nut | |
| 17 | 1 | 387256053/0 | Lyftgaffel | Lift Fork | |
| 18 | 2 | 1134-0240-00 | Skruv | Screw | |
| 19 | 1 | 1134-4938-01 | Lyftpedal | Lift Pedal | |
| 20 | 2 | 112791500/0 | Skruv | Screw | |
| 21 | 2 | 9739-0631-22 | Mutter | Nut | |
| 22 | 1 | 4231-0013-00 | Fjäder | Spring | |



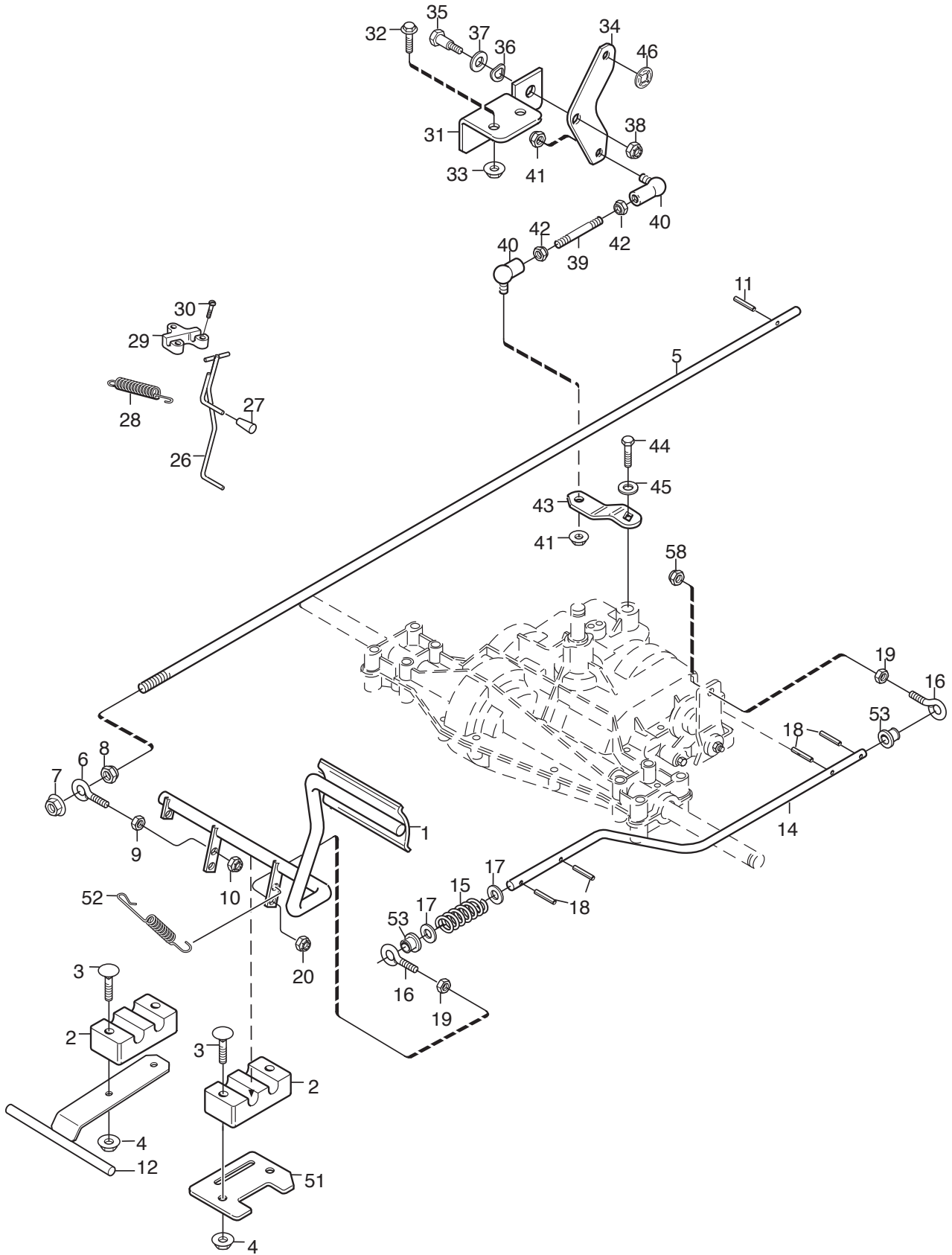
| Utgåva Issue 7 - 2016 | | Sits | Seat | | |
|-----------------------------|---------------|-------------------|---------------------------|-----------------------|---------------------|
| Pos. Fig. | Antal Q.ty | Art nr Part No | Benämning | Description | Anmärkning Notes |
| 1 | 1 | 137722604/0 | Seat | Seat | |
| 3 | 1 | 1134-5301-01 | Sitsplatta | Upper Seat Bracket | |
| 4 | 2 | 1134-0240-00 | Skruv | Screw | |
| 5 | 2 | 112155000/0 | Mutter | Nut | |
| 6 | 1 | 1134-5454-01 | Spärr | Catch | |
| 7 | 1 | 112604899/0 | Starlock | Crown Fastener | |
| 11 | 1 | 137160001/0 | Distans | Spacer | |
| 12 | 1 | 1134-5296-04 | Sitskonsol Kpl (Gul) 1-00 | Seat Bracket (Yellow) | |
| 13 | 1 | 1134-4256-01 | Fjäder | Spring | |
| 14 | 1 | 9924-1235-19 | Skruv | Screw | |
| 15 | 1 | 112156603/0 | Mutter | Nut | |
| 16 | 1 | 112691115/0 | Skruv | Screw | |
| 17 | 1 | 1134-1565-06 | Distans | Spacer | |
| 18 | 1 | 1134-5302-01 | Fjäder | Spring | |
| 19 | 1 | 1134-5299-01 | Tryckplatta | Push Plate | |
| 20 | 1 | 9699-0090-02 | Bricka Bricka | Washer Washer | |
| 21 | 1 | 112155000/0 | Mutter | Nut | |
| 22 | 1 | 1134-3156-02 | Brytare (gra) | Switch | Microswitch N.C. |
| 23 | 1 | 1134-3156-01 | Brytare | Switch | Microswitch N.O. |
| 28 | 4 | 9959-0820-16 | Skruv | Screw | L = 20 mm |
| 29 | 2 | 9959-0825-16 | Skruv | Screw | L = 25 mm |
| 30 | 2 | 112523060/0 | Bricka | Washer | |
| 31 | 6 | 112154220/0 | Mutter | Nut | |



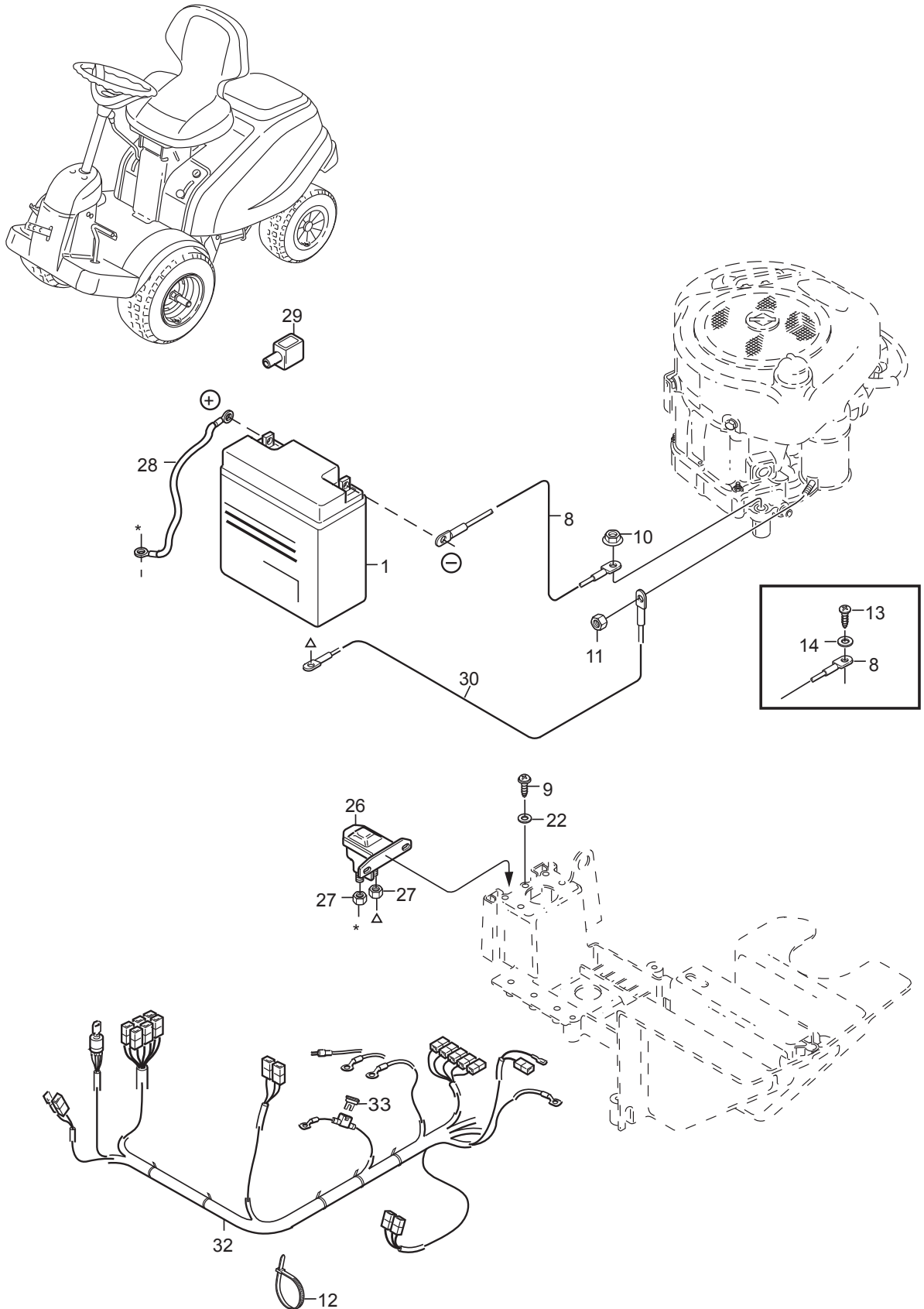
| Utgåva Issue 7 - 2016 | | Styrning Steering | | | |
|-----------------------------|---------------|----------------------|----------------------|-------------------------|---------------------|
| Pos. Fig. | Antal Q.ty | Art nr Part No | Benämning | Description | Anmärkning Notes |
| 1 | 3 | 1134-0041-01 | Bussning | Bushing | |
| 2 | 3 | 1134-0046-00 | Wireklämma | Wire Clamp | |
| 3 | 1 | 1134-9025-01 | Linhjul | Steering Pulley | Sats 2 st/kit of 2 |
| 4 | 3 | 9997-1040-16 | Skruv | Screw | L = 40 mm |
| 5 | 2 | 9739-1031-22 | Mutter | Nut | |
| 6 | 1 | 1134-9154-01 | Styrwire | Steering Cable | |
| 7 | 1 | 1134-1310-01 | Fjäder | Spring | |
| 8 | 1 | 112523060/0 | Bricka | Washer | |
| 9 | 1 | 112155000/0 | Mutter | Nut | |
| 11 | 1 | 387785245/0 | Styrkonsol Kpl (Gra) | Steering Console (Grey) | |
| 12 | 4 | 9897-0820-16 | Skruv | Screw | |
| 13 | 4 | 112154220/0 | Mutter | Nut | |
| 15 | 1 | 387520125/0 | Rattrör Nedre | Steering Column, Lower | |
| 16 | 2 | 1134-1901-01 | Lager | Bearing | |
| 17 | 2 | 9893-0616-16 | Skruv Relä | Screw Relay | |
| 18 | 2 | 9699-0060-02 | Bricka | Washer | |
| 19 | 1 | 1134-5495-01 | Rattstang | Steering Rod | |
| 20 | 1 | 1134-1933-01 | Linhjul | Steering Pulley | |
| 21 | 1 | 9595-0262-00 | Spännstift | Locating Pin | |
| 22 | 1 | 387520117/0 | Ratt | Steering Wheel | |
| 23 | 1 | 9595-0277-01 | Spännstift | Pin | |
| 24 | 1 | 1134-5494-01 | Ratt | Steering Wheel | |
| 32 | 1 | 1134-3047-01 | Distans | Spacer | |
| 33 | 2 | 9699-0104-02 | Bricka | Washer | |
| 36 | 2 | 1134-3047-01 | Distans | Spacer | |
| 37 | 1 | 1134-0041-05 | Bussning | Bushing | |
| 38 | 1 | 1134-0046-00 | Wireklämma | Wire Clamp | |
| 39 | 1 | 1134-9025-01 | Linhjul | Steering Pulley | Sats 2 st/kit of 2 |
| 40 | 1 | 112692395/1 | Skruv | Screw | L = 60 mm |



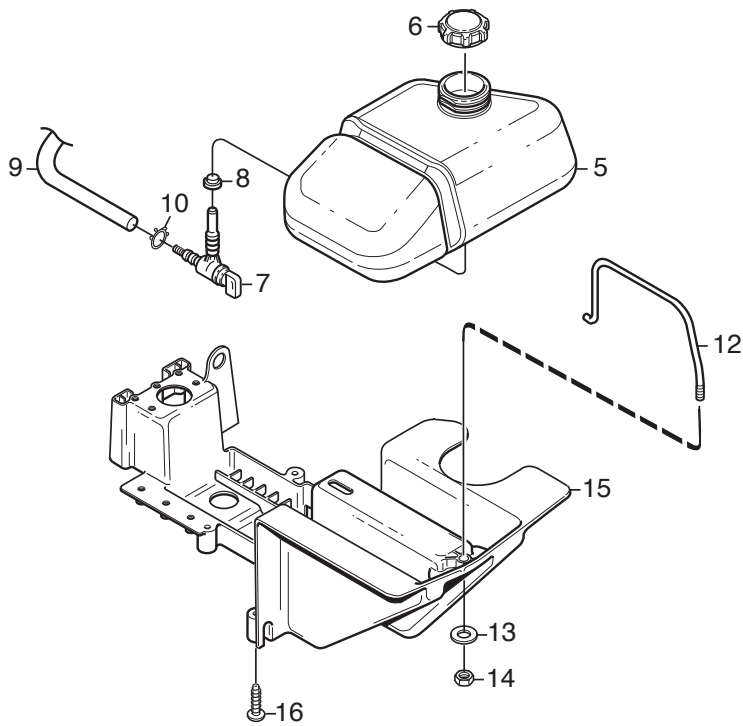
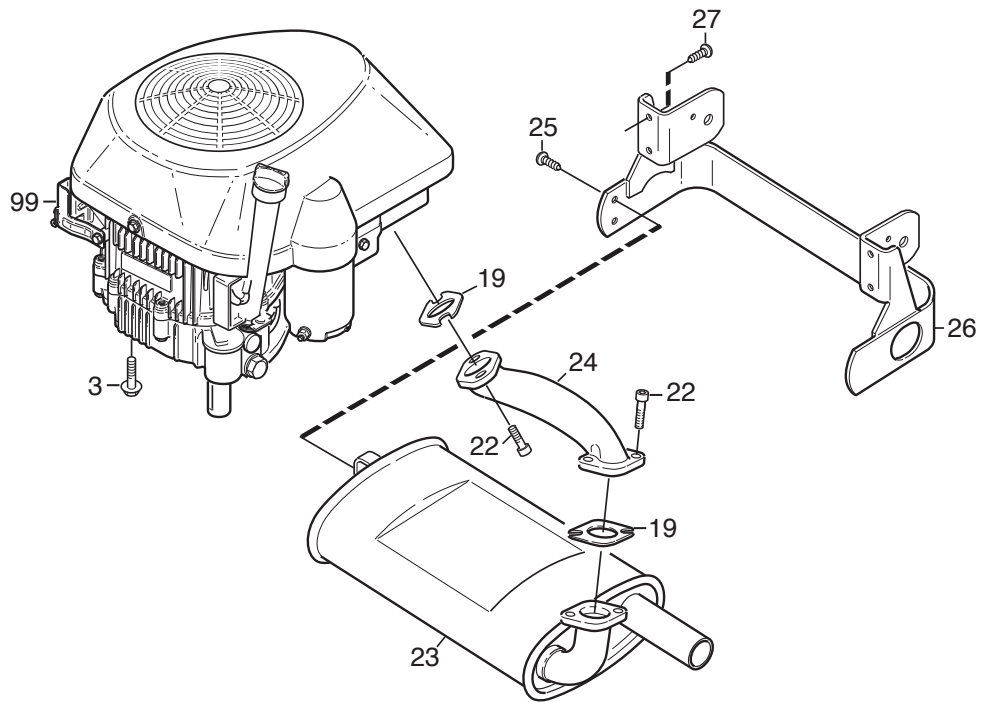
| Utgåva Issue 7 - 2016 | | Handreglage Hand controls | | | |
|-----------------------------|---------------|------------------------------|---------------------------|-------------------------|---------------------|
| Pos. Fig. | Antal Q.ty | Art nr Part No | Benämning | Description | Anmärkning Notes |
| 1 | 1 | 337120154/0 | Reglagepanel-Vä (Gra) | Dashboard-Lh (Grey) | |
| 2 | 2 | 125260000/0 | Skydd | Grommet | |
| 3 | 3 | 9893-0616-16 | Skruv Relä | Screw Relay | |
| 4 | 1 | 1134-5357-01 | Fäste | Bracket | |
| 5 | 2 | 112728697/0 | Skruv | Screw | |
| 6 | 1 | 1134-4077-02 | Arm | Lever | |
| 7 | 1 | 1134-4078-01 | Knopp | Knob | |
| 8 | 1 | 1134-0240-00 | Skruv | Screw | |
| 9 | 1 | 9694-0001-00 | Bricka | Washer | |
| 10 | 2 | 1134-4242-01 | Distansbricka | Washer | |
| 11 | 1 | 112155000/0 | Mutter | Nut | |
| 12 | 1 | 1134-1597-13 | Gasreglage | Throttle Cable | |
| 13 | 1 | 9500-9991-00 | Kabelklämma | Wire Clamp | |
| 14 | 1 | 9943-0516-16 | Skruv | Screw | |
| 15 | 1 | 133320027/0 | Bunband | Cable | |
| 20 | 1 | 9997-0812-02 | Skruv | Screw | |
| 21 | 1 | 1134-5274-02 | Distans | Spacer | |
| 22 | 3 | 1134-3047-01 | Distans | Spacer | |
| 23 | 1 | 1134-5271-01 | Reglagefäste | Control Bracket | |
| 24 | 1 | 1134-5275-01 | Växelspak Kpl | Gearshift Lever | |
| 25 | 1 | 1134-5535-01 | Fjäder | Spring | |
| 26 | 1 | 112692080/0 | Skruv | Screw | |
| 27 | 1 | 112155000/0 | Mutter | Nut | |
| 28 | 1 | 1134-5268-01 | Stang | Shifter Rod | |
| 29 | 1 | 112604896/0 | Starlock P6493 6 | Crown Fastener | |
| 30 | 1 | 1134-5271-01 | Reglagefäste | Control Bracket | |
| 31 | 1 | 1134-5276-01 | Reglagespak Kpl | Control Lever | |
| 32 | 1 | 112692080/0 | Skruv | Screw | |
| 33 | 1 | 112155000/0 | Mutter | Nut | |
| 34 | 1 | 1134-5356-01 | Reaktionsstag | Strut | |
| 35 | 1 | 112155000/0 | Mutter | Nut | |
| 36 | 2 | 9400-0312-01 | Mikrobrytare | Microswitch | |
| 37 | 4 | 9840-7716-16 | Skruv | Screw | |
| 38 | 1 | 1134-5358-01 | Brytarfäste | Switch Bracket | |
| 39 | 2 | 9943-0516-16 | Skruv | Screw | |
| 40 | 1 | 337120153/0 | Reglagepanel Man-Hö (Gra) | Dashboard Man-Rh (Grey) | |
| 41 | 2 | 125260000/0 | Skydd | Grommet | |
| 42 | 4 | 9893-0616-16 | Skruv Relä | Screw Relay | |
| 43 | 2 | 1134-2551-01 | Knopp | Knob | |
| 44 | 1 | 1134-3573-06 | Kraftuttagwire | Pto Cable | |
| 45 | 1 | 1134-1242-02 | Fjäder | Spring | |
| 50 | 1 | 1134-4093-01 | Tändningslas | Ignition Switch | |
| 51 | 1 | 1134-4749-01 | Mutter | Nut | |



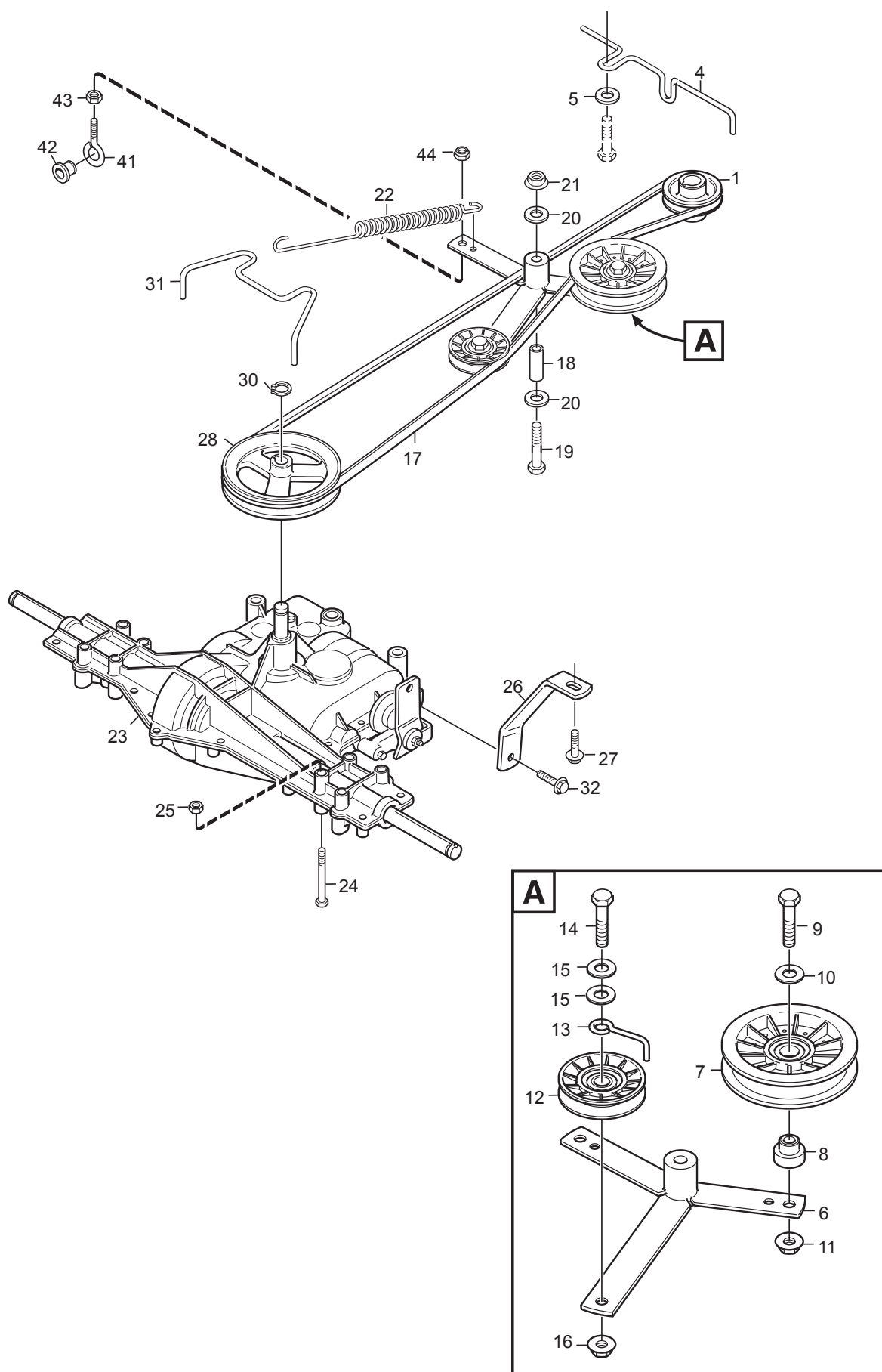
| Utgåva Issue 7 - 2016 | | Fotreglage | | Foot controls | |
|-----------------------------|---------------|-------------------|-----------------------------|----------------------|---------------------|
| Pos. Fig. | Antal Q.ty | Art nr Part No | Benämning | Description | Anmärkning Notes |
| 1 | 1 | 1134-4802-01 | Pedal5-01 F15 | Pedal | |
| 2 | 2 | 1134-4624-01 | Lager | Bearing | |
| 3 | 4 | 9897-0640-12 | Skruv | Screw | |
| 4 | 4 | 9739-0631-22 | Mutter | Nut | |
| 5 | 1 | 1134-4795-01 | Kopplingsstang | Clutch Rod | |
| 6 | 1 | 1134-2138-01 | Skruvögla | Eye Bolt | |
| 7 | 1 | 9739-1031-22 | Mutter | Nut | |
| 8 | 1 | 9731-1031-22 | Mutter | Nut | |
| 9 | 1 | 112293200/0 | Mutter | Nut | |
| 10 | 1 | 112155000/0 | Mutter | Nut | |
| 11 | 1 | 9595-0208-00 | Spiralspnst Prym N4X20 | Locating Pin | |
| 12 | 1 | 387773501/0 | Fäste | Bracket | |
| 14 | 1 | 1134-4777-01 | Bromsstang | Brake Rod | |
| 15 | 1 | 1134-4617-01 | Fjäder | Spring | |
| 16 | 2 | 1134-2138-01 | Skruvögla | Eye Bolt | |
| 17 | 2 | 9699-0035-02 | Bricka | Washer | |
| 18 | 4 | 9595-0208-00 | Spiralspnst Prym N4X20 | Locating Pin | |
| 19 | 2 | 112293200/0 | Mutter | Nut | |
| 20 | 1 | 112155000/0 | Mutter | Nut | |
| 26 | 1 | 1134-5353-01 | Bromsstang | Brake Rod | |
| 27 | 1 | 1134-2786-01 | Knopp | Knob | |
| 28 | 1 | 1131-1497-01 | Fjäder | Brake Spring | |
| 29 | 1 | 1134-4002-01 | Fäste | Brake Rod Attachment | |
| 30 | 3 | 112728697/0 | Skruv | Screw | |
| 31 | 1 | 1134-4714-01 | Vinkelfäste | Angle Bracket | |
| 32 | 2 | 9959-0820-16 | Skruv | Screw | |
| 33 | 2 | 112154220/0 | Mutter | Nut | |
| 34 | 1 | 1134-4715-01 | Platttriangel | Triangular Plate | |
| 35 | 1 | 1134-0240-00 | Skruv | Screw | |
| 36 | 1 | 9694-0001-00 | Bricka | Washer | |
| 37 | 1 | 9699-0036-02 | Bricka | Washer | |
| 38 | 1 | 112155000/0 | Mutter | Nut | |
| 39 | 1 | 1134-4717-03 | Gångstang | Threaded Rod | |
| 40 | 2 | 9570-0004-00 | Vinkellänk As 10 Din71802M6 | Elbow Link | |
| 41 | 2 | 112154510/0 | Mutter | Nut | |
| 42 | 2 | 9739-0631-22 | Mutter | Nut | |
| 43 | 1 | 1134-4722-01 | Växelarm | Shifter Lever | |
| 44 | 1 | 112735520/0 | Skruv | Screw | |
| 45 | 1 | 9699-0060-02 | Bricka | Washer | |
| 46 | 1 | 112604896/0 | Starlock P6493 6 | Crown Fastener | |
| 51 | 1 | 1134-4793-01 | Stopplat | Stop Plate | |
| 52 | 1 | 4231-0013-00 | Fjäder | Spring | |
| 53 | 2 | 1134-4779-01 | Bussning | Bushing | |
| 58 | 1 | 112155000/0 | Mutter | Nut | |



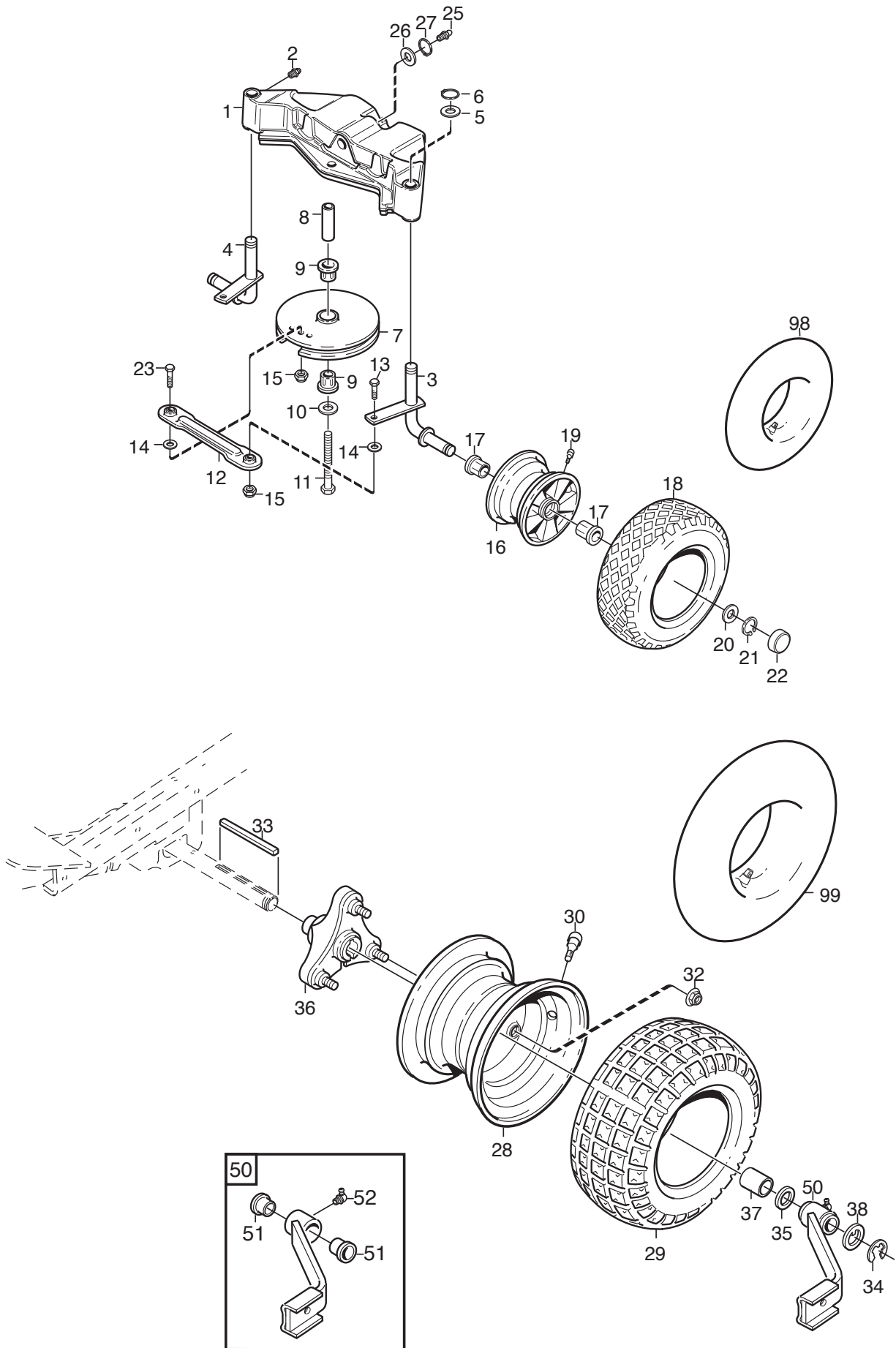
| Utgåva Issue 7 - 2016 | | Elsystem Electric system | | | |
|-----------------------------|---------------|-----------------------------|---|-------------------------------|---------------------|
| Pos. Fig. | Antal Q.ty | Art nr Part No | Benämning | Description | Anmärkning Notes |
| 1 | 1 | 1134-4804-01 | Batteri | Battery | |
| 8 | 1 | 1134-2042-02 | Batterikabel | Battery Cable | L = 350 mm |
| 9 | 1 | 112728697/0 | Skruv | Screw | |
| 10 | 1 | 112155000/0 | Mutter | Nut | |
| 11 | 1 | 112361005/0 | Mutter | Nut | 1/4 UNC |
| 12 | 3 | 133320027/0 | Bunband | Cable | |
| 22 | 1 | 9699-0060-02 | Bricka | Washer | |
| 26 | 1 | 1134-3901-01 | Solenoid | Solenoid | incl. 27 |
| 27 | 2 | 9743-5121-32 | Mutter | Nut | |
| 28 | 1 | 1134-0234-02 | Batterikabel (+) | Battery Cable (+) | L = 395 mm |
| 29 | 1 | 1134-2310-01 | Batteriskydd | Guard Cap (+) | |
| 30 | 1 | 1134-4702-02 | Kabel (+) | Cable | L = 480 mm |
| 32 | 1 | 1134-3496-06 | Vippa Säkring Säkring 20 Amp Gul | Cover-12V Fuse Fuse (20A) | 20A |
| 32 | 1 | 187040303/0 | Kabelhärva | Wiring harness | incl. 33 |



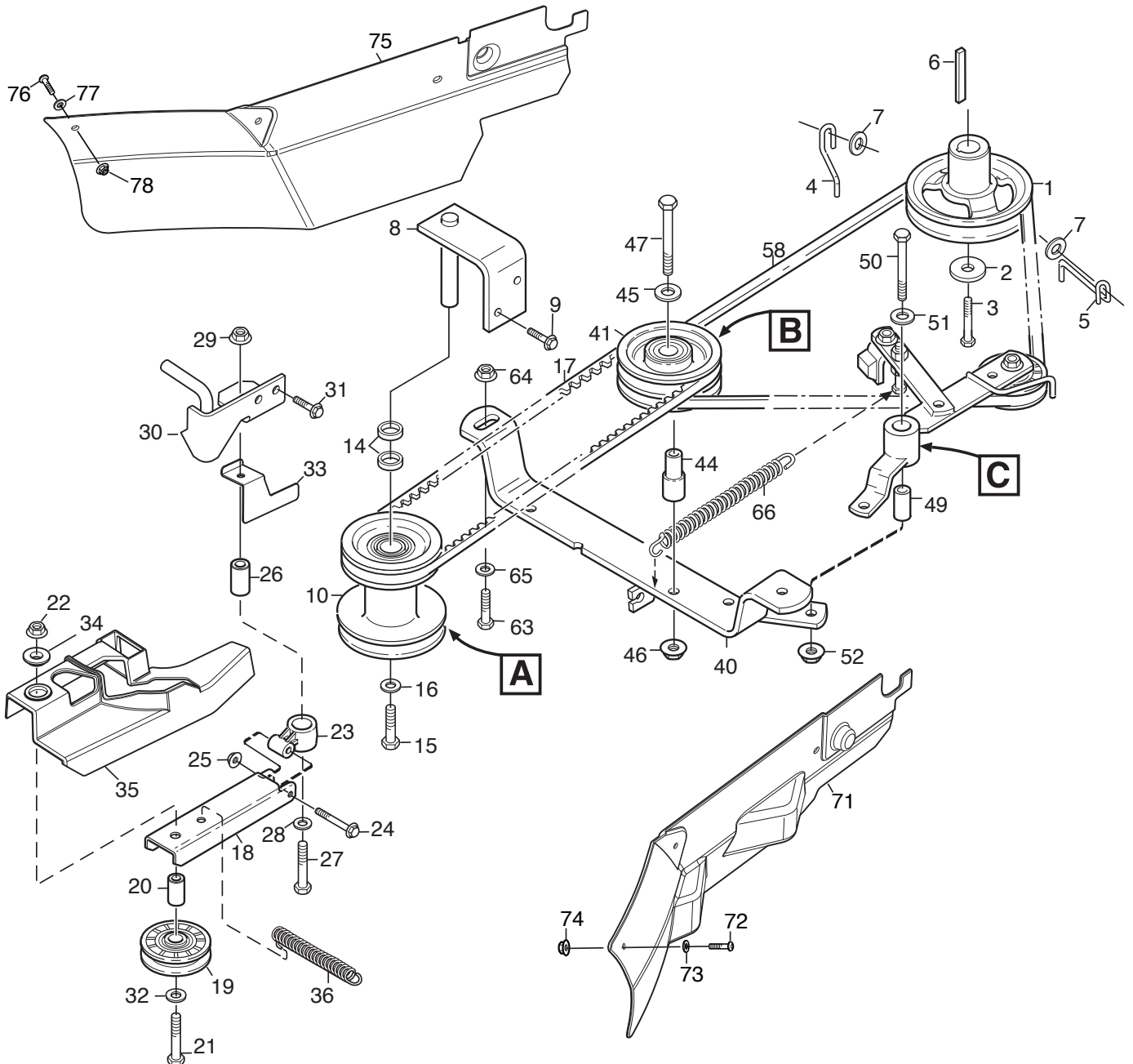
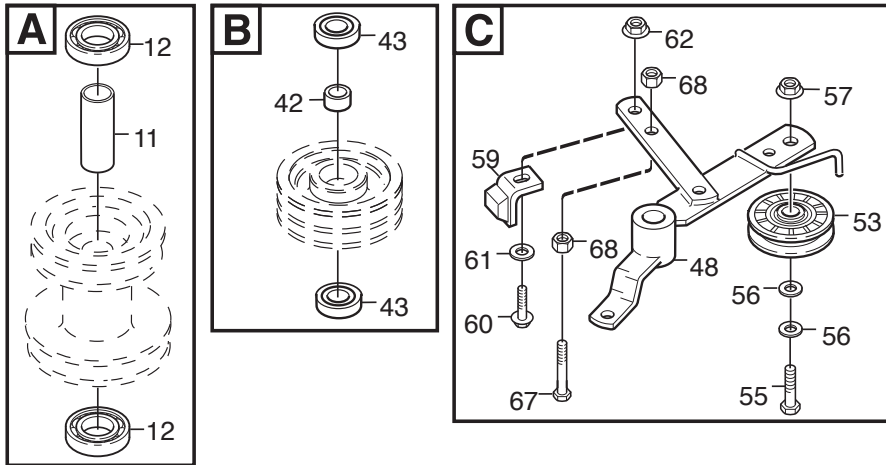
| Utgåva Issue 7 - 2016 | | Motor | Engine | | |
|-----------------------------|---------------|-------------------|---------------------------|---------------------|---------------------|
| Pos. Fig. | Antal Q.ty | Art nr Part No | Benämning | Description | Anmärkning Notes |
| 3 | 4 | 9955-3725-16 | Skruv | Screw | 3/8" x 25 |
| 5 | 1 | 1134-6626-01 | Bränsletank | Fuel Tank | |
| 6 | 1 | 1134-5532-01 | Tanklock | Fuel Tank Cap | |
| 7 | 1 | 1134-3224-01 | Bensinkran | Fuel Shut-Off Valve | |
| 8 | 1 | 1134-3225-01 | Gummibussning | Grommet | |
| 9 | 1 | 1134-2975-18 | Bensinslang | Fuel Tube | L = 260 mm |
| 10 | 2 | 9578-0023-02 | Slangklämma D12*8 (Svart) | Hose Clamp | |
| 12 | 1 | 1134-4808-01 | Tankbygel | Tank Clamp | |
| 13 | 1 | 9699-0060-02 | Bricka | Washer | |
| 14 | 1 | 112154510/0 | Mutter | Nut | |
| 15 | 1 | 1134-4807-02 | Fäste | Support | |
| 16 | 4 | 9829-8830-12 | Skruv | Screw | |
| 19 | 1 | 1134-0433-00 | Packning | Gasket | |
| 22 | 4 | 1134-4930-01 | Skruv | Screw | |
| 22 | 4 | 1134-4930-01 | Skruv | Screw | |
| 22 | 2 | 1134-4930-01 | Skruv | Screw | |
| 23 | 1 | 387753302/0 | Ljuddämpare | Muffler | |
| 24 | 1 | 1134-6634-01 | Avgasrör Kpl (Villa) | Exhaust Pipe | |
| 25 | 2 | 9893-0616-16 | Skruv Relä | Screw Relay | |
| 26 | 1 | 387593601/0 | Värmeskydd Kpl | Heat Guard | |
| 27 | 4 | 9893-0616-16 | Skruv Relä | Screw Relay | |
| 99 | 1 | 118550439/0 | Motor Kpl | Engine Assembled | GGP WM 12,5 |



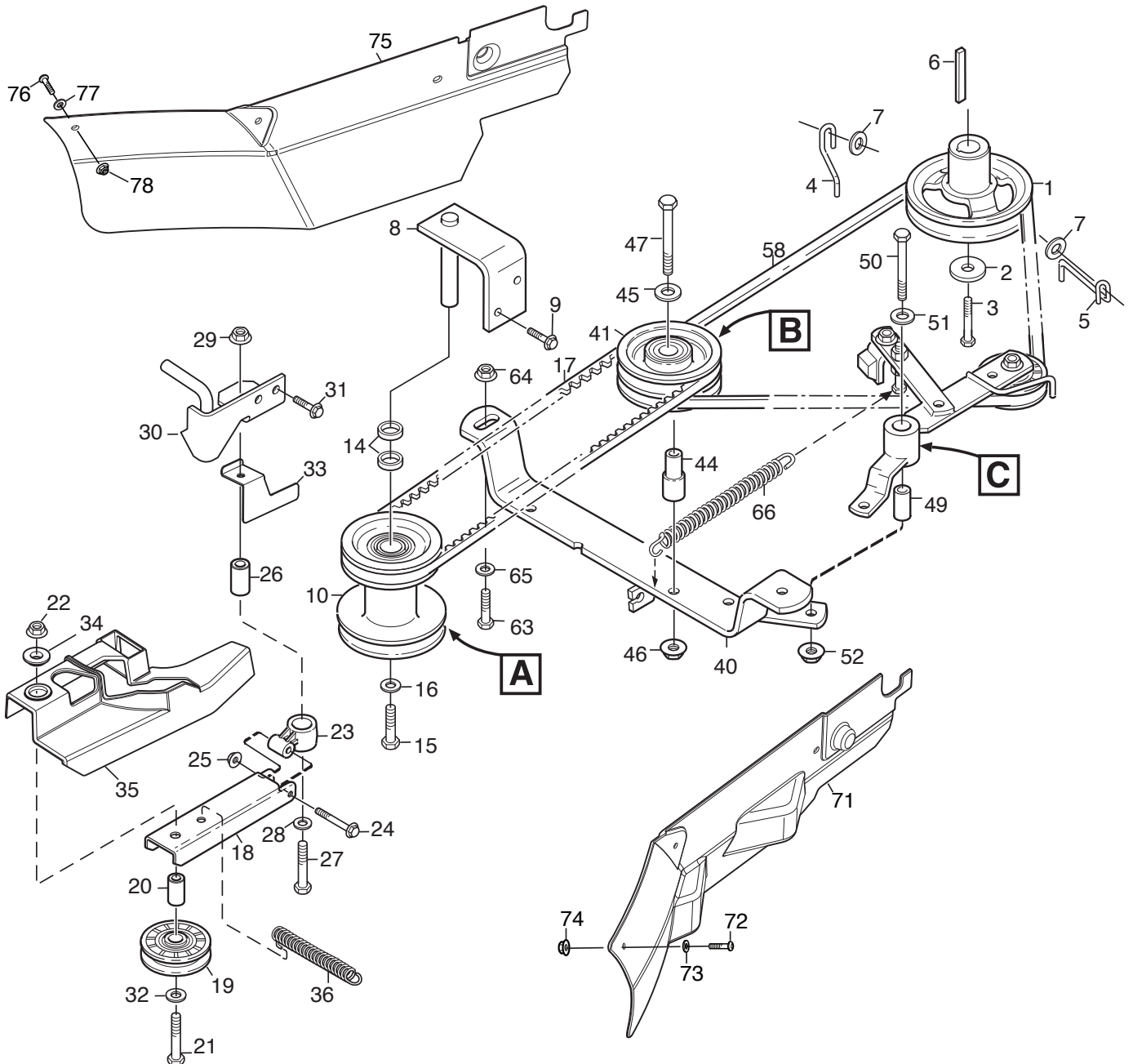
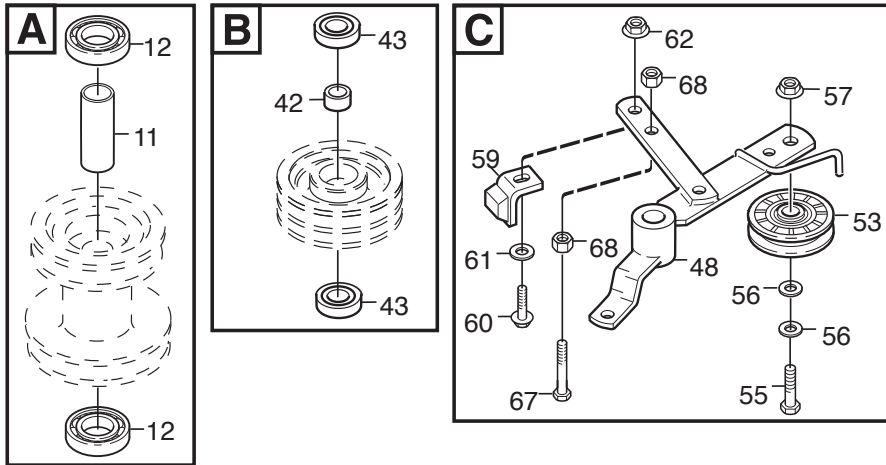
| Utgåva Issue 7 - 2016 | | Transmission | | Transmission | |
|-----------------------------|---------------|-------------------|------------------------|-----------------------|---------------------|
| Pos. Fig. | Antal Q.ty | Art nr Part No | Benämning | Description | Anmärkning Notes |
| 1 | 1 | 1137-0205-01 | Motorremskiva | Engine Belt Pulley | |
| 4 | 1 | 1134-6637-01 | Remstyrning | Belt Guide | |
| 5 | 1 | 112523060/0 | Bricka | Washer | |
| 6 | 1 | 1134-4519-01 | Spännarm Kpl. 5-01 F15 | Tension Arm | |
| 7 | 1 | 1134-9091-01 | Spännrulle | Tension Roller | |
| 8 | 1 | 1134-4614-01 | Distans | Spacer | |
| 9 | 1 | 9997-1040-16 | Skruv | Screw | |
| 10 | 1 | 9699-0035-02 | Bricka | Washer | |
| 11 | 1 | 9739-1031-22 | Mutter | Nut | |
| 12 | 1 | 1134-9027-02 | Spännrulle (Gra) | Tension Roller (Grey) | |
| 13 | 1 | 1134-1795-01 | Remhallare | Belt Stirrup | |
| 14 | 1 | 9997-1040-16 | Skruv | Screw | |
| 15 | 2 | 9699-0035-02 | Bricka | Washer | |
| 16 | 1 | 9739-1031-22 | Mutter | Nut | |
| 17 | 1 | 1134-9164-01 | Kilrem | V-Belt | 9585-0209-01 |
| 18 | 1 | 1134-1565-08 | Distans | Spacer | |
| 19 | 1 | 112793905/0 | Skruv | Screw | |
| 20 | 2 | 112523060/0 | Bricka | Washer | |
| 21 | 1 | 112154220/0 | Mutter | Nut | |
| 22 | 1 | 1134-5214-01 | Fjäder | Spring | |
| 23 | 1 | 1134-4847-01 | Transaxel (Mst205) | Transaxle (Mst205) | |
| 24 | 4 | 9960-0860-12 | Skruv | Screw | |
| 25 | 4 | 112155000/0 | Mutter | Nut | |
| 26 | 1 | 1134-4687-01 | Momentstag 5-01 F24 | Strut | |
| 27 | 1 | 9945-0816-16 | Skruv | Screw | |
| 28 | 1 | 1137-0006-01 | Remskiva | Pulley | |
| 30 | 1 | 9650-0016-04 | Sparring Sga 16 | Circlip | |
| 31 | 1 | 1134-4707-01 | Remstyrning | Belt Guide | |
| 32 | 1 | 112735595/0 | Skruv | Screw | |
| 41 | 1 | 1134-2138-01 | Skruvögla | Eye Bolt | |
| 42 | 1 | 1134-4779-01 | Bussning | Bushing | |
| 43 | 1 | 112293200/0 | Mutter | Nut | |
| 44 | 1 | 112155000/0 | Mutter | Nut | |



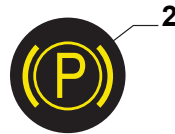
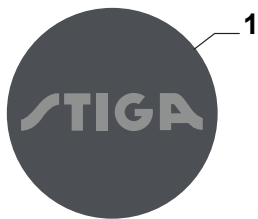
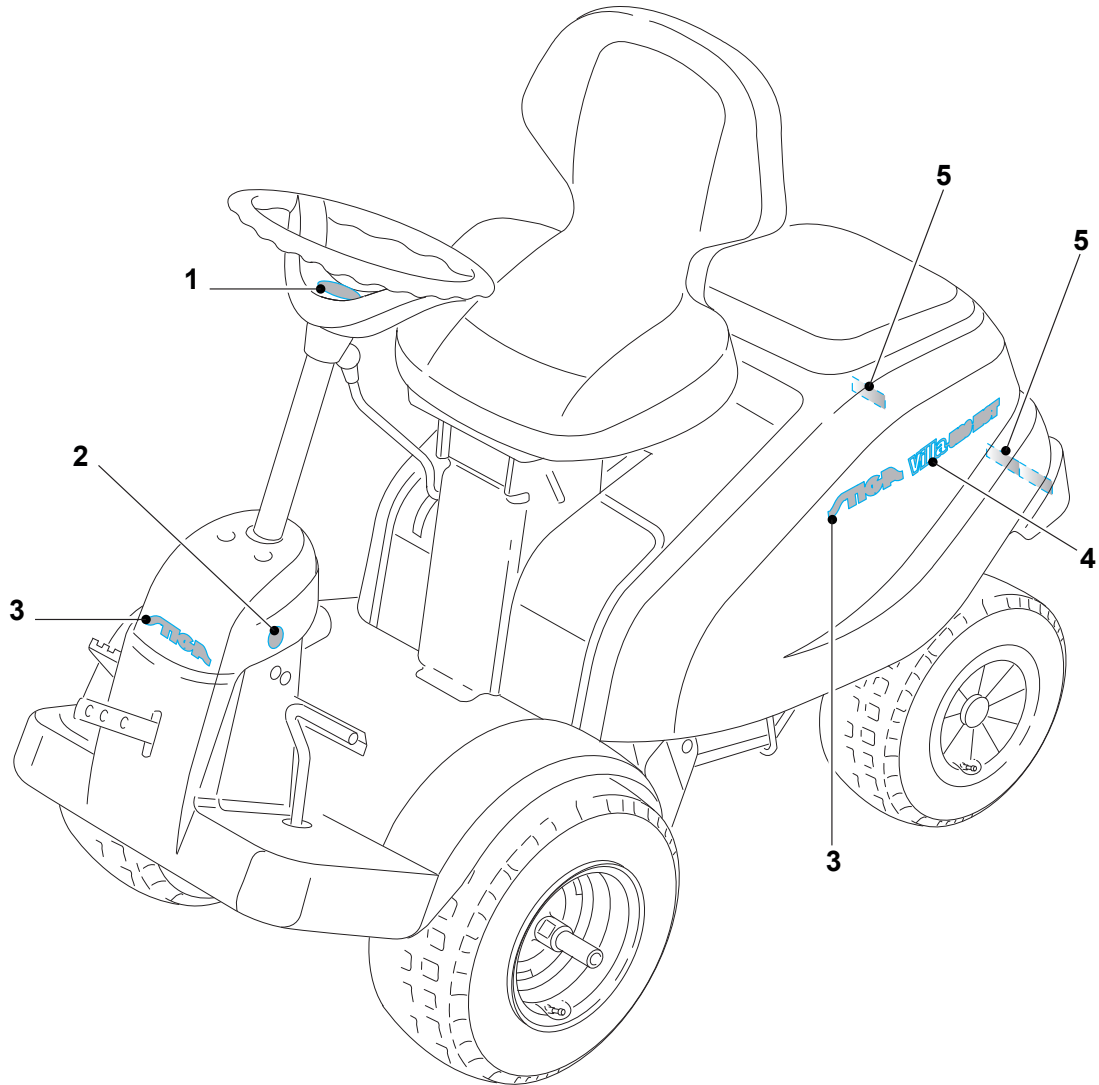
| Utgåva Issue 7 - 2016 | | Hjul Wheels | | | |
|-----------------------------|---------------|-------------------|--|---------------------|----------------------|
| Pos. Fig. | Antal Q.ty | Art nr Part No | Benämning | Description | Anmärkning Notes |
| 1 | 1 | 1134-6703-01 | Bakaxel | Rear Axle | |
| 2 | 2 | 112379511/0 | Smörjnippel | Grease Dispenser | |
| 3 | 1 | 1134-5009-02 | Spindel Kpl-Vä (5-01 H40) | Stub Axle | |
| 4 | 1 | 1134-5009-01 | Spindel Kpl-Hö (5-01 H40) | Right Stub Axle | |
| 5 | 2 | 9699-0088-02 | Bricka | Washer | |
| 6 | 2 | 112609260/0 | Sparring Sga 20 | Seeger | |
| 7 | 1 | 1137-0090-01 | Linhjul | Steering Pulley | |
| 8 | 1 | 1134-5575-01 | Distans | Spacer | |
| 9 | 1 | 1134-9024-01 | Lager (4 St) | Bearing | Sats 4 st/kit of 4 |
| 10 | 1 | 9699-0104-02 | Bricka | Washer | |
| 11 | 1 | 112694100/0 | Skruv | Screw | |
| 12 | 2 | 1134-3247-05 | Styrstag | Tie Rod | |
| 13 | 2 | 112793301/0 | Skruv | Screw | L = 25 mm |
| 23 | 1 | 112691100/0 | Skruv | Screw | L = 35 mm |
| 14 | 2 | 9699-0090-02 | Bricka Bricka | Washer Washer | |
| 15 | 3 | 112155000/0 | Mutter | Nut | |
| 16 | 2 | 187000452/0 | Fälg | Rim | |
| 17 | 1 | 1134-9026-01 | Bussning | Bearing | Sats 4 st/kit of 4 |
| 18 | 2 | 9545-0117-00 | Däck | Tyre | 13x5.00-6 |
| 19 | 2 | 9545-0500-00 | Ventil | Valve Assy. Valve | |
| 20 | 2 | 1134-0341-01 | Bricka | Washer | |
| 21 | 2 | 112609260/0 | Sparring Sga 20 | Seeger | |
| 22 | 2 | 1134-4344-01 | Kapsel (Svart) | Hub Cap Black | |
| 25 | 1 | 112379511/0 | Smörjnippel | Grease Dispenser | |
| 26 | 1 | 9699-0088-02 | Bricka | Washer | |
| 27 | 1 | 112609260/0 | Sparring Sga 20 | Seeger | |
| 28 | 2 | 187000453/0 | Fälg | Rim | |
| 29 | 2 | 9545-0126-01 | Däck | Tyre | 16x6.00-8 |
| 30 | 2 | 9545-0500-00 | Ventil | Valve Assy. Valve | |
| 32 | 6 | 9731-1031-22 | Mutter | Nut | |
| 33 | 2 | 1134-2471-03 | Kil | Key | |
| 34 | 2 | 9653-0001-04 | Sparryttare Rs | Lock Ring | |
| 35 | 2 | 1134-0341-01 | Bricka | Washer | |
| 36 | 2 | 1134-4844-02 | Hjulnav Kpl | Wheel Hub Assy | |
| 37 | 2 | 1134-4845-02 | Navhylsa | Hub Sleeve | |
| 38 | 2 | 1134-4981-01 | Bricka | Washer | |
| 50 | 2 | 1134-6274-01 | rödska sp fä ste Kpl | Attachment | Pos 51-52 incl. |
| 51 | 1 | 1134-9026-01 | Bussning | Bearing | Sats 4 st/kit of 4 |
| 52 | 1 | 9501-0502-00 | Smörjnippel | Grease Joint | |
| 98 | 1 | 9545-0204-00 | Innerslang | Inner Tube | Reservdel/spare part |
| 99 | 1 | 9545-0203-00 | Innerslang | Inner Tube | Reservdel/spare part |



| Utgåva Issue 7 - 2016 | | Kraftuttag Power take-off | | | |
|-----------------------------|---------------|------------------------------|----------------------------|--------------------------|---------------------|
| Pos. Fig. | Antal Q.ty | Art nr Part No | Benämning | Description | Anmärkning Notes |
| 1 | 1 | 1137-0081-01 | Motorremskiva | Engine Pulley | |
| 2 | 1 | 1134-5017-01 | Bricka | Washer | |
| 3 | 1 | 9987-5332-16 | Skruv | Screw | |
| 4 | 1 | 1134-5058-01 | Remstyrning | Belt Guide | |
| 5 | 1 | 1134-5057-01 | Remstyrning | Belt Guide | |
| 6 | 1 | 9600-0251-01 | Kil | Key | L = 2 1/2" |
| 7 | 2 | 112523060/0 | Bricka | Washer | |
| 8 | 1 | 1134-4650-01 | Monteringsbygel5-01 H40 | Pulley Bracket | |
| 9 | 2 | 9945-0816-16 | Skruv | Screw | |
| 10 | 1 | 1137-0003-01 | Mellanremskiva Smst | Intermediate Belt Pulley | Inkl. pos 11-12 |
| 11 | 1 | 1134-0051-12 | Distans | Spacer | |
| 12 | 2 | 9549-0019-00 | Kullager | Ball Bearing | |
| 14 | 2 | 1134-0052-00 | Distans | Spacer | |
| 15 | 1 | 9997-1040-16 | Skruv | Screw | |
| 16 | 1 | 9699-0035-02 | Bricka | Washer | |
| 17 | 1 | 1134-9079-01 | Drivrem | Drive Belt | 9585-0139-01 |
| 18 | 1 | 1134-5231-01 | Spännarm 5-01 F24 | Tension Arm | |
| 19 | 1 | 1134-9027-02 | Spännrulle (Gra) | Tension Roller (Grey) | |
| 20 | 1 | 1134-4619-01 | Distans | Spacer | |
| 21 | 1 | 9997-1070-12 | Skruv | Screw | |
| 22 | 1 | 112156602/0 | Mutter | Nut | |
| 23 | 1 | 1134-6314-01 | Spännarmsfäste | Tension Arm Attachment | |
| 24 | 1 | 112689500/0 | Skruv | Screw | |
| 25 | 1 | 112154510/0 | Mutter | Nut | |
| 26 | 1 | 1134-4619-01 | Distans | Spacer | |
| 27 | 1 | 9930-1050-12 | Skruv | Screw | |
| 28 | 1 | 9699-0035-02 | Bricka | Washer | |
| 29 | 1 | 9747-1031-02 | Mutter Lasmutter | Nut | |
| 30 | 1 | 1137-1101-01 | Fäste | Bracket | |
| 31 | 2 | 9945-0816-16 | Skruv | Screw | |
| 32 | 1 | 9699-0035-02 | Bricka | Washer | |
| 33 | 1 | 337546579/0 | Platta | Plate | |
| 34 | 1 | 137038000/0 | Bussning | Bush | |
| 35 | 1 | 337600007/0 | Remskydd | Belt Protection | |
| 36 | 1 | 1131-1507-00 | Fjäder | Spring | |
| 40 | 1 | 1134-5037-01 | Bygel Kpl (Svart) 5-01 F15 | Mounting Bracket (Black) | |
| 41 | 1 | 1137-0209-01 | Centrumremskiva Smst | Centre Belt Pulley | Inkl. pos 42-43 |
| 42 | 1 | 1134-0051-09 | Distans | Spacer | |
| 43 | 2 | 9549-0019-00 | Kullager | Ball Bearing | |
| 44 | 1 | 1134-1839-02 | Mellanaxel | Shaft | |
| 45 | 1 | 9699-0035-02 | Bricka | Washer | |
| 46 | 1 | 9739-1031-22 | Mutter | Nut | |
| 47 | 1 | 9997-1070-12 | Skruv | Screw | |
| 48 | 1 | 1137-0144-01 | Kopplingsarm Kpl | Tension Arm Assy | |
| 49 | 1 | 1134-1565-10 | Distans | Spacer | |
| 50 | 1 | 112691800/0 | Skruv | Screw | |
| 51 | 1 | 112523060/0 | Bricka | Washer | |
| 52 | 1 | 112154220/0 | Mutter | Nut | |
| 53 | 1 | 1134-9027-02 | Spännrulle (Gra) | Tension Roller (Grey) | |



| Utgåva Issue 7 - 2016 | | Kraftuttag Power take-off | | | |
|-----------------------------|---------------|------------------------------|-----------------|----------------------|---------------------|
| Pos. Fig. | Antal Q.ty | Art nr Part No | Benämning | Description | Anmärkning Notes |
| 55 | 1 | 112794400/0 | Skruv | Screw | |
| 56 | 2 | 9699-0035-02 | Bricka | Washer | |
| 57 | 1 | 9739-1031-22 | Mutter | Nut | |
| 58 | 1 | 1134-9146-01 | Kilrem | V-Belt | 9585-0204-01 |
| 59 | 1 | 1134-4164-03 | Bromsklots | Brake Pad | |
| 60 | 1 | 9959-0820-16 | Skruv | Screw | |
| 61 | 1 | 9699-0090-02 | Bricka Bricka | Washer Washer | |
| 62 | 1 | 112155000/0 | Mutter | Nut | |
| 63 | 2 | 9959-0820-16 | Skruv | Screw | |
| 64 | 2 | 112154220/0 | Mutter | Nut | |
| 65 | 1 | 112523060/0 | Bricka | Washer | |
| 66 | 1 | 1131-1506-00 | Fjäder | Spring | |
| 67 | 1 | 112691800/0 | Skruv | Screw | |
| 68 | 2 | 112154220/0 | Mutter | Nut | |
| 71 | 1 | 337600009/0 | Sidoskydd - Vä | Side Protection - Lh | |
| 72 | 2 | 9893-0616-16 | Skruv Relä | Screw Relay | |
| 73 | 2 | 9699-0060-02 | Bricka | Washer | |
| 74 | 2 | 9739-0631-22 | Mutter | Nut | |
| 75 | 1 | 337600008/0 | Sidoskydd - Hö | Side Protection - Rh | |
| 76 | 2 | 9893-0616-16 | Skruv Relä | Screw Relay | |
| 77 | 2 | 9699-0060-02 | Bricka | Washer | |
| 78 | 2 | 9739-0631-22 | Mutter | Nut | |



| Utgåva Issue 7 - 2016 | | Dekaler Labels | | | |
|-----------------------------|---------------|-------------------|------------------|------------------|---------------------|
| Pos. Fig. | Antal Q.ty | Art nr Part No | Benämning | Description | Anmärkning Notes |
| 1 | 1 | 114368694/0 | Dekal STIGA logo | Label STIGA logo | |
| 2 | 1 | 114358460/0 | Dekal | Label | |
| 3 | 3 | 114367494/2 | Dekal STIGA logo | Label STIGA logo | |
| 5 | 1 | 114368430/0 | Dekal | Label | |

| code | pos. | q.ty | page | | | | | | | | |
|--------------|-------------|-------------|-------------|--------------|----|---|-------|--------------|----|---|-------|
| 1131-1497-01 | 28 | 1 | p. 17 | 1134-4619-01 | 20 | 1 | p. 27 | 1134-6125-01 | 16 | 1 | p. 3 |
| 1131-1506-00 | 66 | 1 | p. 29 | 1134-4619-01 | 26 | 1 | p. 27 | 1134-6274-01 | 50 | 2 | p. 25 |
| 1131-1507-00 | 36 | 1 | p. 27 | 1134-4624-01 | 2 | 2 | p. 17 | 1134-6314-01 | 23 | 1 | p. 27 |
| 1134-0041-01 | 1 | 3 | p. 13 | 1134-4627-01 | 7 | 1 | p. 3 | 1134-6626-01 | 5 | 1 | p. 21 |
| 1134-0041-05 | 37 | 1 | p. 13 | 1134-4650-01 | 8 | 1 | p. 27 | 1134-6630-01 | 6 | 1 | p. 7 |
| 1134-0046-00 | 2 | 3 | p. 13 | 1134-4687-01 | 26 | 1 | p. 23 | 1134-6634-01 | 24 | 1 | p. 21 |
| 1134-0046-00 | 38 | 1 | p. 13 | 1134-4702-02 | 30 | 1 | p. 19 | 1134-6635-01 | 1 | 1 | p. 7 |
| 1134-0051-09 | 42 | 1 | p. 27 | 1134-4707-01 | 31 | 1 | p. 23 | 1134-6637-01 | 4 | 1 | p. 23 |
| 1134-0051-12 | 11 | 1 | p. 27 | 1134-4714-01 | 31 | 1 | p. 17 | 1134-6703-01 | 1 | 1 | p. 25 |
| 1134-0052-00 | 14 | 2 | p. 27 | 1134-4715-01 | 34 | 1 | p. 17 | 1134-9024-01 | 9 | 1 | p. 25 |
| 1134-0234-02 | 28 | 1 | p. 19 | 1134-4717-03 | 39 | 1 | p. 17 | 1134-9025-01 | 3 | 1 | p. 13 |
| 1134-0240-00 | 4 | 2 | p. 11 | 1134-4722-01 | 43 | 1 | p. 17 | 1134-9025-01 | 39 | 1 | p. 13 |
| 1134-0240-00 | 8 | 1 | p. 15 | 1134-4734-01 | 15 | 1 | p. 3 | 1134-9026-01 | 17 | 1 | p. 25 |
| 1134-0240-00 | 8 | 2 | p. 7 | 1134-4749-01 | 51 | 1 | p. 15 | 1134-9026-01 | 51 | 1 | p. 25 |
| 1134-0240-00 | 18 | 2 | p. 9 | 1134-4777-01 | 14 | 1 | p. 17 | 1134-9027-02 | 12 | 1 | p. 23 |
| 1134-0240-00 | 35 | 1 | p. 17 | 1134-4779-01 | 42 | 1 | p. 23 | 1134-9027-02 | 19 | 1 | p. 27 |
| 1134-0341-01 | 20 | 2 | p. 25 | 1134-4779-01 | 53 | 2 | p. 17 | 1134-9027-02 | 53 | 1 | p. 27 |
| 1134-0341-01 | 35 | 2 | p. 25 | 1134-4790-02 | 17 | 2 | p. 5 | 1134-9079-01 | 17 | 1 | p. 27 |
| 1134-0433-00 | 19 | 1 | p. 21 | 1134-4793-01 | 51 | 1 | p. 17 | 1134-9091-01 | 7 | 1 | p. 23 |
| 1134-1242-02 | 45 | 1 | p. 15 | 1134-4795-01 | 5 | 1 | p. 17 | 1134-9146-01 | 58 | 1 | p. 29 |
| 1134-1310-01 | 7 | 1 | p. 13 | 1134-4802-01 | 1 | 1 | p. 17 | 1134-9154-01 | 6 | 1 | p. 13 |
| 1134-1565-06 | 17 | 1 | p. 11 | 1134-4804-01 | 1 | 1 | p. 19 | 1134-9164-01 | 17 | 1 | p. 23 |
| 1134-1565-08 | 18 | 1 | p. 23 | 1134-4807-02 | 15 | 1 | p. 21 | 1137-0003-01 | 10 | 1 | p. 27 |
| 1134-1565-10 | 49 | 1 | p. 27 | 1134-4808-01 | 12 | 1 | p. 21 | 1137-0006-01 | 28 | 1 | p. 23 |
| 1134-1597-13 | 12 | 1 | p. 15 | 1134-4844-02 | 36 | 2 | p. 25 | 1137-0081-01 | 1 | 1 | p. 27 |
| 1134-1795-01 | 13 | 1 | p. 23 | 1134-4845-02 | 37 | 2 | p. 25 | 1137-0088-01 | 6 | 2 | p. 5 |
| 1134-1839-02 | 44 | 1 | p. 27 | 1134-4847-01 | 23 | 1 | p. 23 | 1137-0090-01 | 7 | 1 | p. 25 |
| 1134-1901-01 | 16 | 2 | p. 13 | 1134-4930-01 | 22 | 2 | p. 21 | 1137-0144-01 | 48 | 1 | p. 27 |
| 1134-1933-01 | 20 | 1 | p. 13 | 1134-4930-01 | 22 | 4 | p. 21 | 1137-0205-01 | 1 | 1 | p. 23 |
| 1134-2042-02 | 8 | 1 | p. 19 | 1134-4930-01 | 22 | 4 | p. 21 | 1137-0209-01 | 41 | 1 | p. 27 |
| 1134-2138-01 | 6 | 1 | p. 17 | 1134-4938-01 | 19 | 1 | p. 9 | 1137-1101-01 | 30 | 1 | p. 27 |
| 1134-2138-01 | 16 | 2 | p. 17 | 1134-4945-01 | 5 | 1 | p. 9 | 4231-0013-00 | 22 | 1 | p. 9 |
| 1134-2138-01 | 41 | 1 | p. 23 | 1134-4981-01 | 38 | 2 | p. 25 | 4231-0013-00 | 52 | 1 | p. 17 |
| 1134-2310-01 | 29 | 1 | p. 19 | 1134-5009-01 | 4 | 1 | p. 25 | 9400-0312-01 | 36 | 2 | p. 15 |
| 1134-2471-03 | 33 | 2 | p. 25 | 1134-5009-02 | 3 | 1 | p. 25 | 9404-0027-01 | 9 | 1 | p. 9 |
| 1134-2551-01 | 43 | 2 | p. 15 | 1134-5017-01 | 2 | 1 | p. 27 | 9500-9991-00 | 13 | 1 | p. 15 |
| 1134-2684-01 | 4 | 2 | p. 9 | 1134-5037-01 | 40 | 1 | p. 27 | 9501-0502-00 | 52 | 1 | p. 25 |
| 1134-2786-01 | 27 | 1 | p. 17 | 1134-5057-01 | 5 | 1 | p. 27 | 9545-0117-00 | 18 | 2 | p. 25 |
| 1134-2975-18 | 9 | 1 | p. 21 | 1134-5058-01 | 4 | 1 | p. 27 | 9545-0126-01 | 29 | 2 | p. 25 |
| 1134-3047-01 | 22 | 3 | p. 15 | 1134-5214-01 | 22 | 1 | p. 23 | 9545-0203-00 | 99 | 1 | p. 25 |
| 1134-3047-01 | 32 | 1 | p. 13 | 1134-5231-01 | 18 | 1 | p. 27 | 9545-0204-00 | 98 | 1 | p. 25 |
| 1134-3047-01 | 36 | 2 | p. 13 | 1134-5245-01 | 11 | 1 | p. 3 | 9545-0500-00 | 19 | 2 | p. 25 |
| 1134-3156-01 | 23 | 1 | p. 11 | 1134-5268-01 | 28 | 1 | p. 15 | 9545-0500-00 | 30 | 2 | p. 25 |
| 1134-3156-02 | 22 | 1 | p. 11 | 1134-5271-01 | 23 | 1 | p. 15 | 9549-0019-00 | 12 | 2 | p. 27 |
| 1134-3224-01 | 7 | 1 | p. 21 | 1134-5271-01 | 30 | 1 | p. 15 | 9549-0019-00 | 43 | 2 | p. 27 |
| 1134-3225-01 | 8 | 1 | p. 21 | 1134-5274-02 | 21 | 1 | p. 15 | 9570-0004-00 | 40 | 2 | p. 17 |
| 1134-3247-05 | 12 | 2 | p. 25 | 1134-5275-01 | 24 | 1 | p. 15 | 9578-0023-02 | 10 | 2 | p. 21 |
| 1134-3496-06 | 32 | 1 | p. 19 | 1134-5276-01 | 31 | 1 | p. 15 | 9595-0208-00 | 11 | 1 | p. 17 |
| 1134-3573-06 | 44 | 1 | p. 15 | 1134-5283-02 | 1 | 1 | p. 5 | 9595-0208-00 | 18 | 4 | p. 17 |
| 1134-3901-01 | 26 | 1 | p. 19 | 1134-5293-02 | 2 | 1 | p. 7 | 9595-0262-00 | 1 | 1 | p. 3 |
| 1134-4002-01 | 29 | 1 | p. 17 | 1134-5296-04 | 12 | 1 | p. 11 | 9595-0262-00 | 21 | 1 | p. 13 |
| 1134-4077-02 | 6 | 1 | p. 15 | 1134-5299-01 | 19 | 1 | p. 11 | 9595-0276-01 | 11 | 1 | p. 9 |
| 1134-4078-01 | 7 | 1 | p. 15 | 1134-5301-01 | 3 | 1 | p. 11 | 9595-0277-01 | 23 | 1 | p. 13 |
| 1134-4093-01 | 50 | 1 | p. 15 | 1134-5302-01 | 18 | 1 | p. 11 | 9600-0251-01 | 6 | 1 | p. 27 |
| 1134-4117-01 | 1 | 1 | p. 9 | 1134-5304-01 | 20 | 1 | p. 5 | 9650-0016-04 | 30 | 1 | p. 23 |
| 1134-4164-03 | 59 | 1 | p. 29 | 1134-5305-01 | 13 | 1 | p. 5 | 9650-0039-04 | 10 | 1 | p. 9 |
| 1134-4176-01 | 9 | 4 | p. 5 | 1134-5353-01 | 26 | 1 | p. 17 | 9653-0001-04 | 34 | 2 | p. 25 |
| 1134-4185-01 | 4 | 2 | p. 3 | 1134-5356-01 | 34 | 1 | p. 15 | 9665-0002-00 | 10 | 2 | p. 7 |
| 1134-4242-01 | 9 | 2 | p. 7 | 1134-5357-01 | 4 | 1 | p. 15 | 9694-0001-00 | 9 | 1 | p. 15 |
| 1134-4242-01 | 10 | 2 | p. 15 | 1134-5358-01 | 38 | 1 | p. 15 | 9694-0001-00 | 36 | 1 | p. 17 |
| 1134-4256-01 | 13 | 1 | p. 11 | 1134-5454-01 | 6 | 1 | p. 11 | 9699-0035-02 | 10 | 1 | p. 23 |
| 1134-4344-01 | 22 | 2 | p. 25 | 1134-5494-01 | 24 | 1 | p. 13 | 9699-0035-02 | 15 | 2 | p. 23 |
| 1134-4481-01 | 6 | 2 | p. 3 | 1134-5495-01 | 19 | 1 | p. 13 | 9699-0035-02 | 16 | 1 | p. 27 |
| 1134-4519-01 | 6 | 1 | p. 23 | 1134-5532-01 | 6 | 1 | p. 21 | 9699-0035-02 | 17 | 2 | p. 17 |
| 1134-4614-01 | 8 | 1 | p. 23 | 1134-5535-01 | 25 | 1 | p. 15 | 9699-0035-02 | 28 | 1 | p. 27 |
| 1134-4617-01 | 15 | 1 | p. 17 | 1134-5575-01 | 8 | 1 | p. 25 | 9699-0035-02 | 32 | 1 | p. 27 |
| | | | | 1134-6113-01 | 12 | 1 | p. 3 | 9699-0035-02 | 45 | 1 | p. 27 |

| code | pos. | q.ty | page | | | | | | | | | |
|--------------|------|------|-------|--------------|----|---|-------|-------------|----|---|-------|--|
| 9699-0035-02 | 56 | 2 | p. 29 | 9959-0820-16 | 28 | 4 | p. 11 | 112609260/0 | 6 | 2 | p. 25 | |
| 9699-0036-02 | 37 | 1 | p. 17 | 9959-0820-16 | 32 | 2 | p. 17 | 112609260/0 | 21 | 2 | p. 25 | |
| 9699-0060-02 | 13 | 1 | p. 21 | 9959-0820-16 | 60 | 1 | p. 29 | 112609260/0 | 27 | 1 | p. 25 | |
| 9699-0060-02 | 18 | 2 | p. 13 | 9959-0820-16 | 63 | 2 | p. 29 | 112689500/0 | 12 | 1 | p. 9 | |
| 9699-0060-02 | 19 | 2 | p. 5 | 9959-0825-16 | 14 | 2 | p. 7 | 112689500/0 | 24 | 1 | p. 27 | |
| 9699-0060-02 | 22 | 1 | p. 19 | 9959-1025-16 | 29 | 2 | p. 11 | 112691100/0 | 23 | 1 | p. 25 | |
| 9699-0060-02 | 45 | 1 | p. 17 | 9960-0860-12 | 2 | 2 | p. 9 | 112691115/0 | 16 | 1 | p. 11 | |
| 9699-0060-02 | 73 | 2 | p. 29 | 9987-5332-16 | 24 | 4 | p. 23 | 112691800/0 | 50 | 1 | p. 27 | |
| 9699-0060-02 | 77 | 2 | p. 29 | 9997-0812-02 | 3 | 1 | p. 27 | 112691800/0 | 67 | 1 | p. 29 | |
| 9699-0088-02 | 5 | 2 | p. 25 | 9997-1040-16 | 20 | 1 | p. 15 | 112692080/0 | 26 | 1 | p. 15 | |
| 9699-0088-02 | 26 | 1 | p. 25 | 9997-1040-16 | 4 | 3 | p. 13 | 112692080/0 | 32 | 1 | p. 15 | |
| 9699-0090-02 | 14 | 2 | p. 25 | 9997-1040-16 | 9 | 1 | p. 23 | 112692395/1 | 40 | 1 | p. 13 | |
| 9699-0090-02 | 20 | 1 | p. 11 | 9997-1040-16 | 14 | 1 | p. 23 | 112694100/0 | 11 | 1 | p. 25 | |
| 9699-0090-02 | 61 | 1 | p. 29 | 9997-1040-16 | 15 | 1 | p. 27 | 112728697/0 | 5 | 2 | p. 15 | |
| 9699-0103-02 | 2 | 1 | p. 3 | 9997-1070-12 | 21 | 1 | p. 27 | 112728697/0 | 9 | 1 | p. 19 | |
| 9699-0104-02 | 10 | 1 | p. 25 | 9997-1070-12 | 47 | 1 | p. 27 | 112728697/0 | 30 | 3 | p. 17 | |
| 9699-0104-02 | 33 | 2 | p. 13 | 112154220/0 | 13 | 4 | p. 13 | 112735520/0 | 44 | 1 | p. 17 | |
| 9699-0114-02 | 3 | 1 | p. 3 | 112154220/0 | 15 | 1 | p. 7 | 112735595/0 | 32 | 1 | p. 23 | |
| 9731-1031-22 | 8 | 1 | p. 17 | 112154220/0 | 16 | 3 | p. 7 | 112791500/0 | 20 | 2 | p. 9 | |
| 9731-1031-22 | 32 | 6 | p. 25 | 112154220/0 | 21 | 1 | p. 23 | 112793102/0 | 9 | 4 | p. 3 | |
| 9739-0631-22 | 4 | 4 | p. 17 | 112154220/0 | 21 | 1 | p. 23 | 112793301/0 | 13 | 2 | p. 25 | |
| 9739-0631-22 | 21 | 2 | p. 9 | 112154220/0 | 31 | 6 | p. 11 | 112793905/0 | 19 | 1 | p. 23 | |
| 9739-0631-22 | 42 | 2 | p. 17 | 112154220/0 | 33 | 2 | p. 17 | 112794400/0 | 55 | 1 | p. 29 | |
| 9739-0631-22 | 74 | 2 | p. 29 | 112154220/0 | 52 | 1 | p. 27 | 112794400/0 | 55 | 1 | p. 29 | |
| 9739-0631-22 | 78 | 2 | p. 29 | 112154220/0 | 64 | 2 | p. 29 | 114358460/0 | 2 | 1 | p. 31 | |
| 9739-1031-22 | 3 | 2 | p. 9 | 112154510/0 | 68 | 2 | p. 29 | 114367494/2 | 3 | 3 | p. 31 | |
| 9739-1031-22 | 5 | 2 | p. 13 | 112154510/0 | 13 | 1 | p. 9 | 114368430/0 | 5 | 1 | p. 31 | |
| 9739-1031-22 | 7 | 1 | p. 17 | 112154510/0 | 14 | 1 | p. 21 | 114368694/0 | 1 | 1 | p. 31 | |
| 9739-1031-22 | 11 | 1 | p. 23 | 112154510/0 | 25 | 1 | p. 27 | 114369180/0 | 4 | 1 | p. 7 | |
| 9739-1031-22 | 14 | 2 | p. 3 | 112154510/0 | 41 | 2 | p. 17 | 118550439/0 | 99 | 1 | p. 21 | |
| 9739-1031-22 | 16 | 1 | p. 23 | 112155000/0 | 5 | 2 | p. 11 | 125260000/0 | 2 | 2 | p. 15 | |
| 9739-1031-22 | 46 | 1 | p. 27 | 112155000/0 | 9 | 1 | p. 13 | 125260000/0 | 41 | 2 | p. 15 | |
| 9739-1031-22 | 57 | 1 | p. 29 | 112155000/0 | 10 | 1 | p. 17 | 133320027/0 | 12 | 3 | p. 19 | |
| 9743-5121-32 | 27 | 2 | p. 19 | 112155000/0 | 10 | 1 | p. 19 | 133320027/0 | 15 | 1 | p. 15 | |
| 9747-1031-02 | 29 | 1 | p. 27 | 112155000/0 | 11 | 1 | p. 15 | 137038000/0 | 34 | 1 | p. 27 | |
| 9829-8830-12 | 16 | 4 | p. 21 | 112155000/0 | 11 | 2 | p. 7 | 137160001/0 | 11 | 1 | p. 11 | |
| 9838-9530-12 | 2 | 7 | p. 5 | 112155000/0 | 15 | 3 | p. 25 | 137722604/0 | 1 | 1 | p. 11 | |
| 9838-9530-12 | 18 | 2 | p. 5 | 112155000/0 | 16 | 1 | p. 9 | 187000452/0 | 16 | 2 | p. 25 | |
| 9840-7716-16 | 37 | 4 | p. 15 | 112155000/0 | 20 | 1 | p. 17 | 187000453/0 | 28 | 2 | p. 25 | |
| 9893-0616-16 | 3 | 2 | p. 7 | 112155000/0 | 21 | 1 | p. 11 | 187040303/0 | 32 | 1 | p. 19 | |
| 9893-0616-16 | 3 | 3 | p. 15 | 112155000/0 | 25 | 4 | p. 23 | 337110333/0 | 3 | 1 | p. 5 | |
| 9893-0616-16 | 10 | 4 | p. 5 | 112155000/0 | 27 | 1 | p. 15 | 337120153/0 | 40 | 1 | p. 15 | |
| 9893-0616-16 | 14 | 6 | p. 5 | 112155000/0 | 33 | 1 | p. 15 | 337120154/0 | 1 | 1 | p. 15 | |
| 9893-0616-16 | 17 | 2 | p. 13 | 112155000/0 | 35 | 1 | p. 15 | 337491252/0 | 5 | 1 | p. 5 | |
| 9893-0616-16 | 25 | 2 | p. 21 | 112155000/0 | 38 | 1 | p. 17 | 337491253/0 | 4 | 1 | p. 5 | |
| 9893-0616-16 | 27 | 4 | p. 21 | 112155000/0 | 44 | 1 | p. 23 | 337502508/0 | 12 | 1 | p. 5 | |
| 9893-0616-16 | 42 | 4 | p. 15 | 112155000/0 | 58 | 1 | p. 17 | 337502509/0 | 11 | 1 | p. 5 | |
| 9893-0616-16 | 72 | 2 | p. 29 | 112156602/0 | 62 | 1 | p. 29 | 337546579/0 | 33 | 1 | p. 27 | |
| 9893-0616-16 | 76 | 2 | p. 29 | 112156603/0 | 22 | 1 | p. 27 | 337600007/0 | 35 | 1 | p. 27 | |
| 9897-0640-12 | 3 | 4 | p. 17 | 112293200/0 | 15 | 1 | p. 11 | 337600008/0 | 75 | 1 | p. 29 | |
| 9897-0820-16 | 12 | 4 | p. 13 | 112293200/0 | 9 | 1 | p. 17 | 337600009/0 | 71 | 1 | p. 29 | |
| 9897-0820-16 | 15 | 1 | p. 9 | 112293200/0 | 19 | 2 | p. 17 | 387256053/0 | 17 | 1 | p. 9 | |
| 9898-1035-16 | 13 | 2 | p. 3 | 112293200/0 | 43 | 1 | p. 23 | 387457005/0 | 5 | 1 | p. 7 | |
| 9924-1235-19 | 14 | 1 | p. 11 | 112361005/0 | 11 | 1 | p. 19 | 387520117/0 | 22 | 1 | p. 13 | |
| 9930-1050-12 | 27 | 1 | p. 27 | 112379511/0 | 2 | 2 | p. 25 | 387520125/0 | 15 | 1 | p. 13 | |
| 9943-0516-16 | 12 | 2 | p. 7 | 112523060/0 | 25 | 1 | p. 25 | 387593601/0 | 26 | 1 | p. 21 | |
| 9943-0516-16 | 14 | 1 | p. 15 | 112523060/0 | 5 | 1 | p. 23 | 387753302/0 | 23 | 1 | p. 21 | |
| 9943-0516-16 | 39 | 2 | p. 15 | 112523060/0 | 5 | 4 | p. 3 | 387773501/0 | 12 | 1 | p. 17 | |
| 9945-0816-16 | 8 | 6 | p. 5 | 112523060/0 | 7 | 2 | p. 27 | 387785215/0 | 7 | 1 | p. 7 | |
| 9945-0816-16 | 9 | 2 | p. 27 | 112523060/0 | 7 | 4 | p. 5 | 387785245/0 | 11 | 1 | p. 13 | |
| 9945-0816-16 | 27 | 1 | p. 23 | 112523060/0 | 8 | 1 | p. 13 | | | | | |
| 9945-0816-16 | 31 | 2 | p. 27 | 112523060/0 | 20 | 2 | p. 23 | | | | | |
| 9946-0525-16 | 16 | 2 | p. 5 | 112523060/0 | 30 | 2 | p. 11 | | | | | |
| 9955-3725-16 | 3 | 4 | p. 21 | 112523060/0 | 51 | 1 | p. 27 | | | | | |
| 9959-0820-16 | 8 | 2 | p. 3 | 112523060/0 | 65 | 1 | p. 29 | | | | | |
| 9959-0820-16 | 13 | 2 | p. 7 | 112604896/0 | 29 | 1 | p. 15 | | | | | |
| | | | | 112604896/0 | 46 | 1 | p. 17 | | | | | |
| | | | | 112604899/0 | 7 | 1 | p. 11 | | | | | |