



www.stiga.com

Illustrated Parts List

for model:

TITAN 740 D

13-7460-11

- Use GLOBAL GARDEN PRODUCT genuine spare parts specified in the parts list for repair and/or replacement.
- Then contents described in the parts list may change due to improvement.
- The drawings of the spare part are only indicative and might not represent the part in question exactly.
- The indications "right" - "left" - "front" - "rear" refer to the position of the operator when using the machine.
- When placing orders of parts for repair and/or replacement, make sure that the illustrated parts list is the one applying to the machine's year of manufacture, as shown on the identification plate attached to the machine.

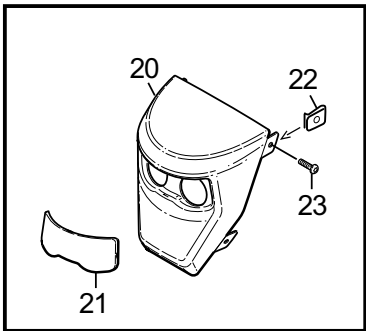
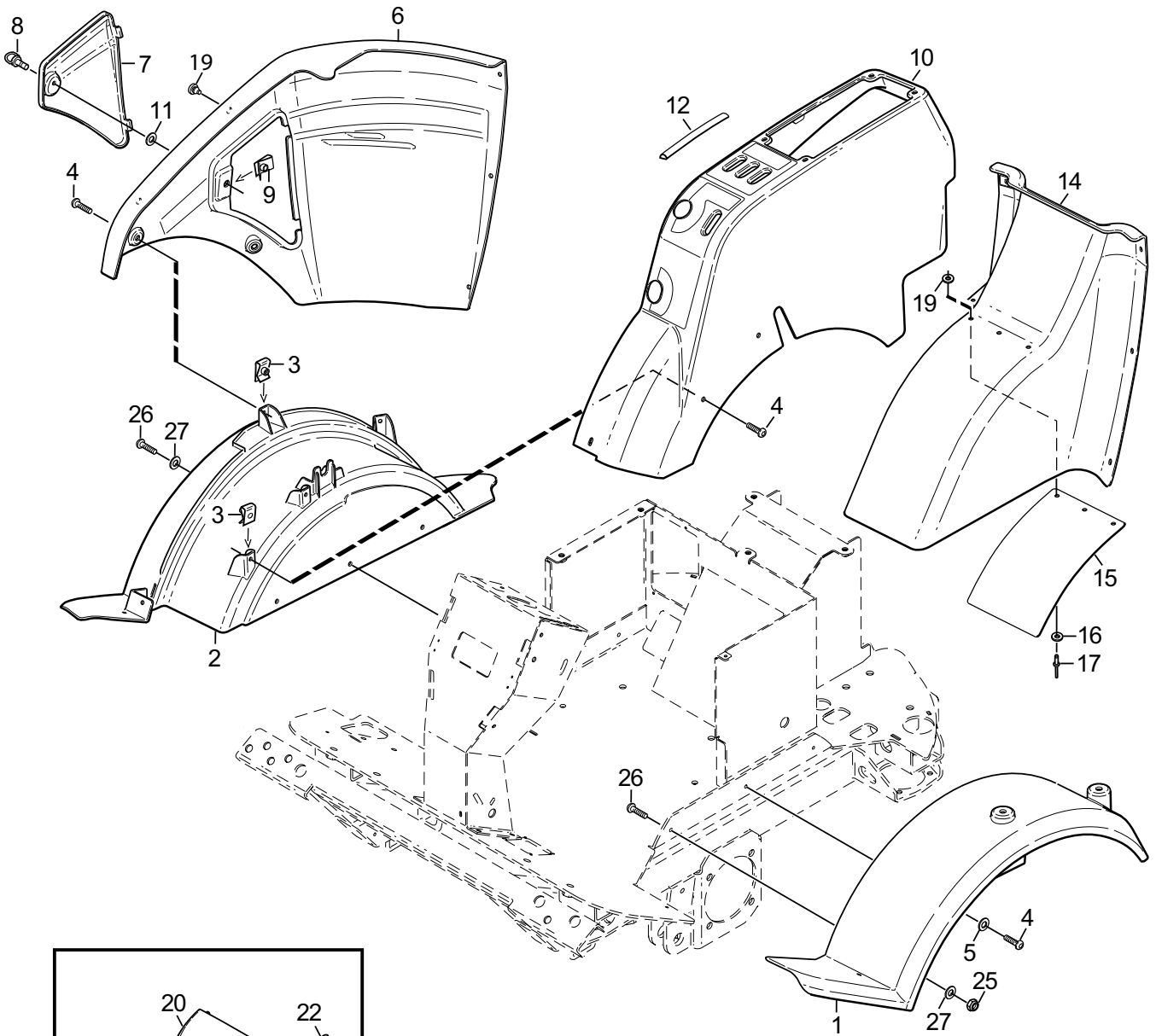
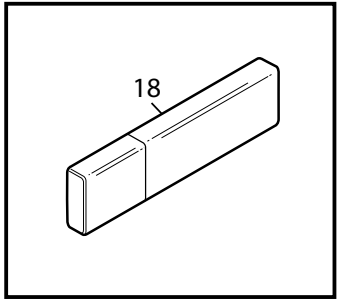
© Copyright 2014 Global Garden Products

All content is subject to copyright by Global Garden Products and may not be reproduced in whole or in part by any means, electronic or otherwise, without prior written approval.

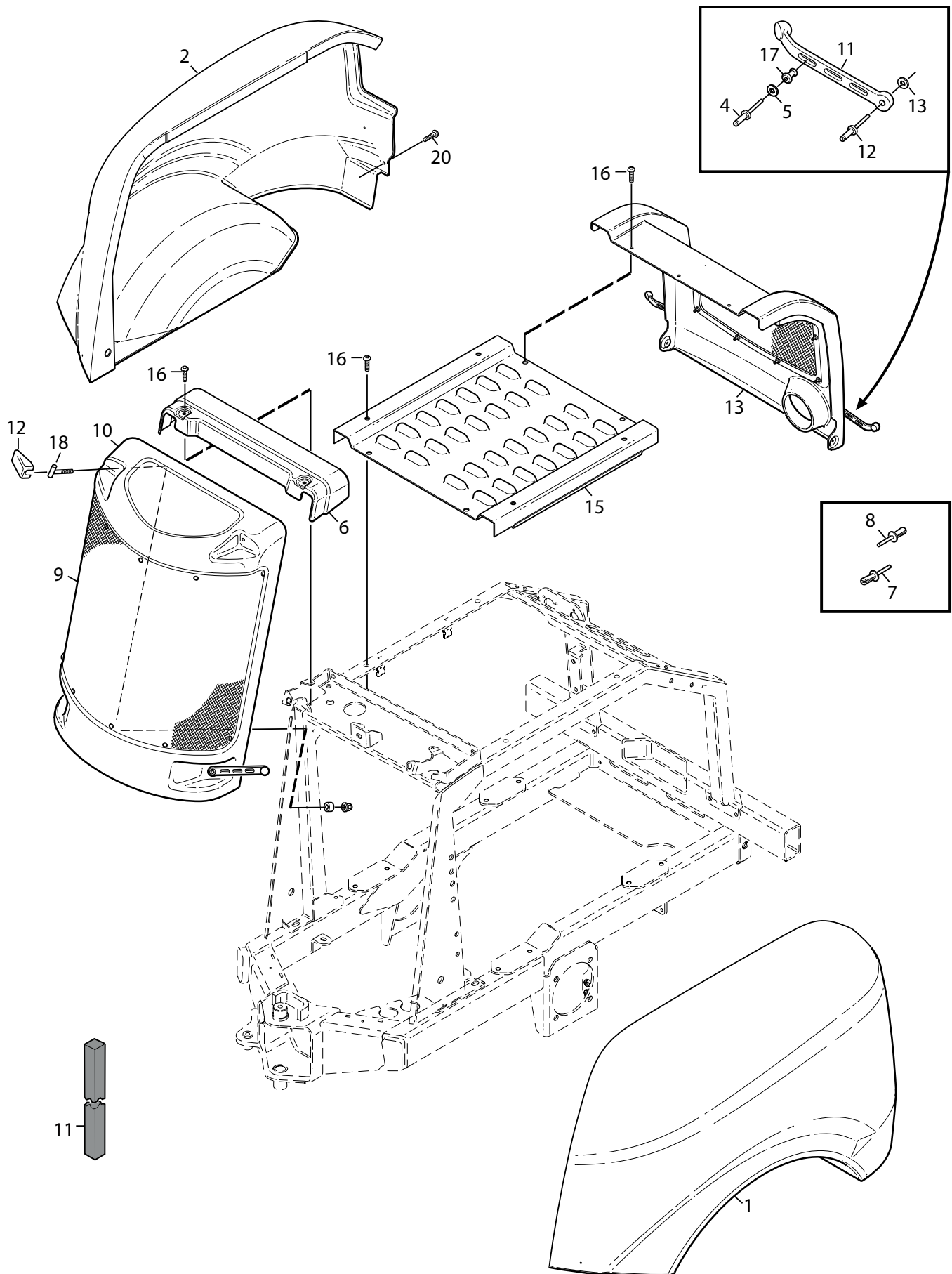
THIS INFORMATION IS NOT INTENDED FOR SALE OR RESALE, AND THIS NOTICE MUST REMAIN ON ALL COPIES.

www.ggp-group.com



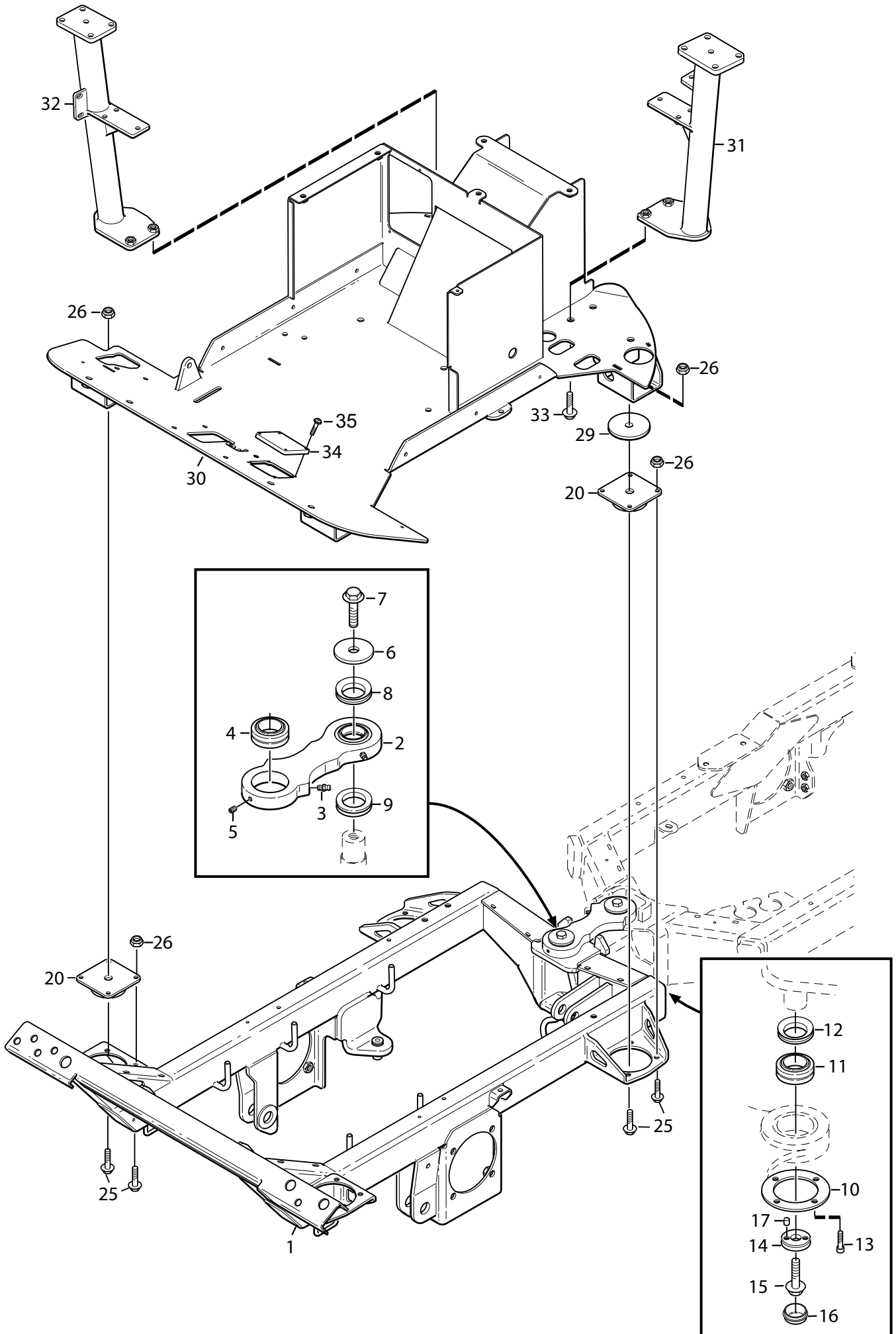


Utgåva Issue		Bildnr Picture No		TITAN KAROSS-FRAM			BODY WORK-FRONT		Sida Page	
2015-11		Q-001A							2	
Pos. Fig.	Antal/Quantity				Art nr Part No	Benämning	Description	Sats Kit	Anmärkning Notes	
	7454									
1	1				1135-3559-01	Framskärm-vä.....	Mudguard front-LH			
2	1				1135-3560-01	Framskärm-hö.....	Mudguard front-RH			
3	8				1134-4176-01	Clips.....	Clips			
4	15				9893-0616-16	Skruv.....	Screw.....			
5	6				9699-0060-02	Bricka	Washer.....			
6	1				1135-2502-01	Sidopanel	Side panel.....			
7	1				1135-2504-01	Inspektionslucka	Inspection cover			
8	1				1137-0453-01	Vridtapp	Fastener			
9	1				1137-0452-01	Clips.....	Clips			
10	1				1135-3565-04	Reglagepanel	Control panel.....			
11	1				1137-0454-01	Bricka	Washer.....			
12	0,35				084-237-01	Tätninglist	Seal strip.....			
13	2				084-305-01	Gummiplugg	Rubber plug.....			
14	1				1135-2505-01	Kåpa-bakre	Cover-rear			
15	1				1135-3495-01	Gummiduk.....	Rubber cloth.....			
16	6				9699-0120-02	Bricka	Washer.....			
17	3				9632-0516-00	Popnit.....	Pop rivet.....			
18	1				1137-0850-01	Varningstriangel.....	Warning triangle.....			
19	2				084-305-01	Gummiplugg	Rubber plug.....			
20	1				1135-2506-01	Frontkåpa.....	Front panel			
21	1				1135-2507-01	Frontglas	Front glass.....			
22	4				1134-4176-01	Clips.....	Clips			
23	4				9893-0616-16	Skruv.....	Screw.....			
25	2				112154510/0	Mutter	Nut.....			
26	2				9959-0820-16	Skruv.....	Screw.....			
27	2				9699-0056-02	Bricka	Washer.....			

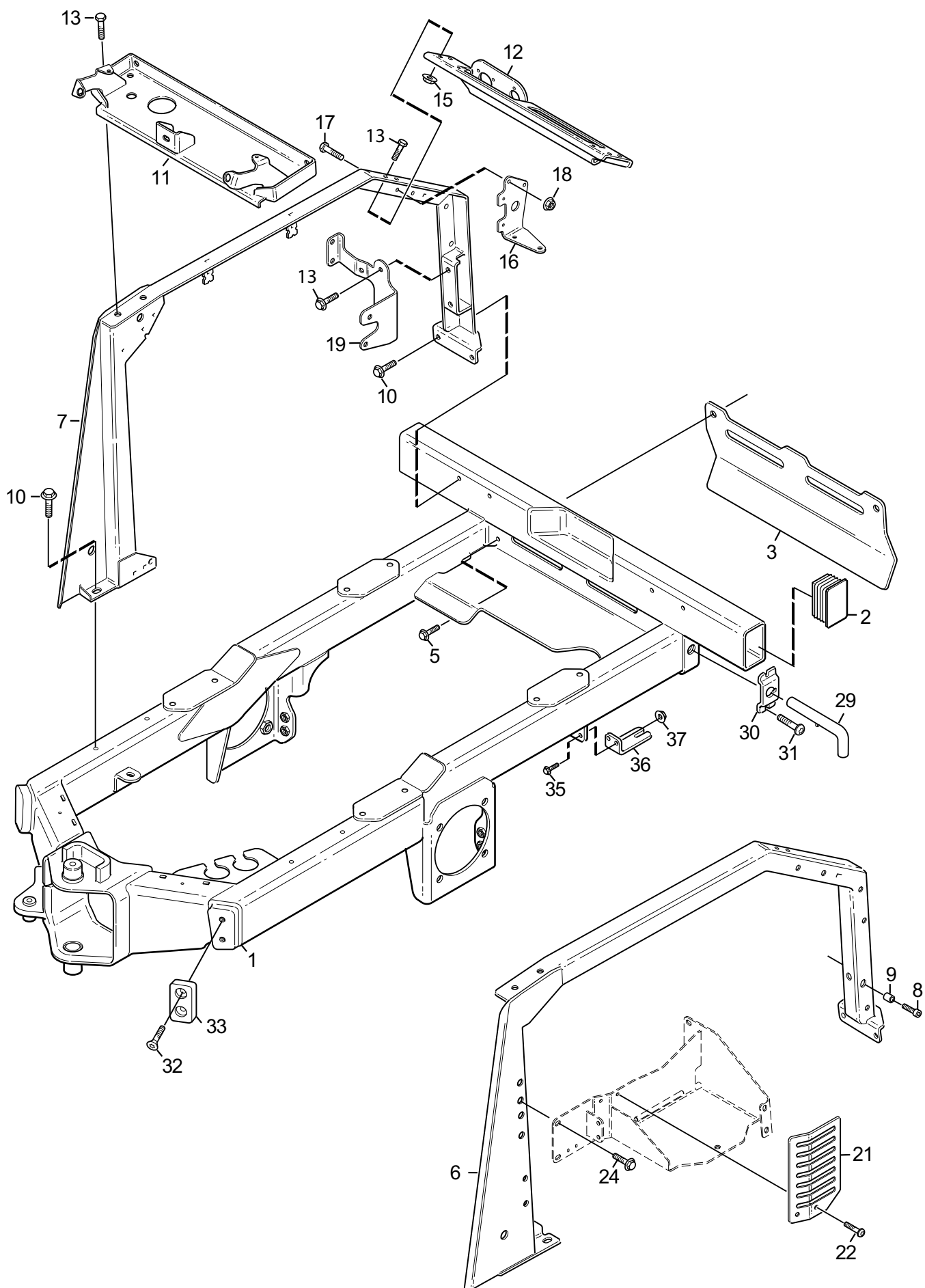


Utgåva Issue		Bildnr Picture No		TITAN KAROSS-BAK BODY WORK-REAR			Sida Page		
2015-11		Q-002A					4		
Pos. Fig.	Antal/Quantity				Art nr Part No	Benämning	Description	Sats Kit	Anmärkning Notes
	7454								
1	1				1137-0715-02	Huvsida-vä.....	Hood cover-LH.....		
2	1				1137-0716-02	Huvsida-hö.....	Hood cover-RH.....		
3	4				1134-2143-01	Gummistropp.....	Rubber loop.....		
4	8				9632-0513-00	Popnit.....	Pop rivet.....		
5	8				9699-0120-02	Bricka.....	Washer.....		
6	1				1137-0645-01	Huv övre.....	Hood upper.....		
7	26				085-044-01	Plastnit.....	Plastic rivet.....		
8	26				9699-0002-02	Bricka.....	Washer.....		
9	1				1137-0643-01	Nät-främre.....	Net-front.....		
10	1				1137-0644-01	Huv-främre.....	Hood-front.....		
11	0,6				084-237-01	Tätninglist.....	Seal strip.....		
12	2				1135-3779-01	Huvlås kpl.....	Hood lock kit.....		
13	1				1137-0647-01	Huv-bakre.....	Hood-rear.....		
14	1				1137-0648-01	Nät-bakre.....	Net-rear.....		
15	1				1137-0659-01	Huvlock.....	Hood cover.....		
16	10				9893-0616-16	Skruv.....	Screw.....		
17	4				9405-0029-00	Knopp.....	Knob.....		
18	2				1137-1007-01	T-skuv.....	T-screw.....		

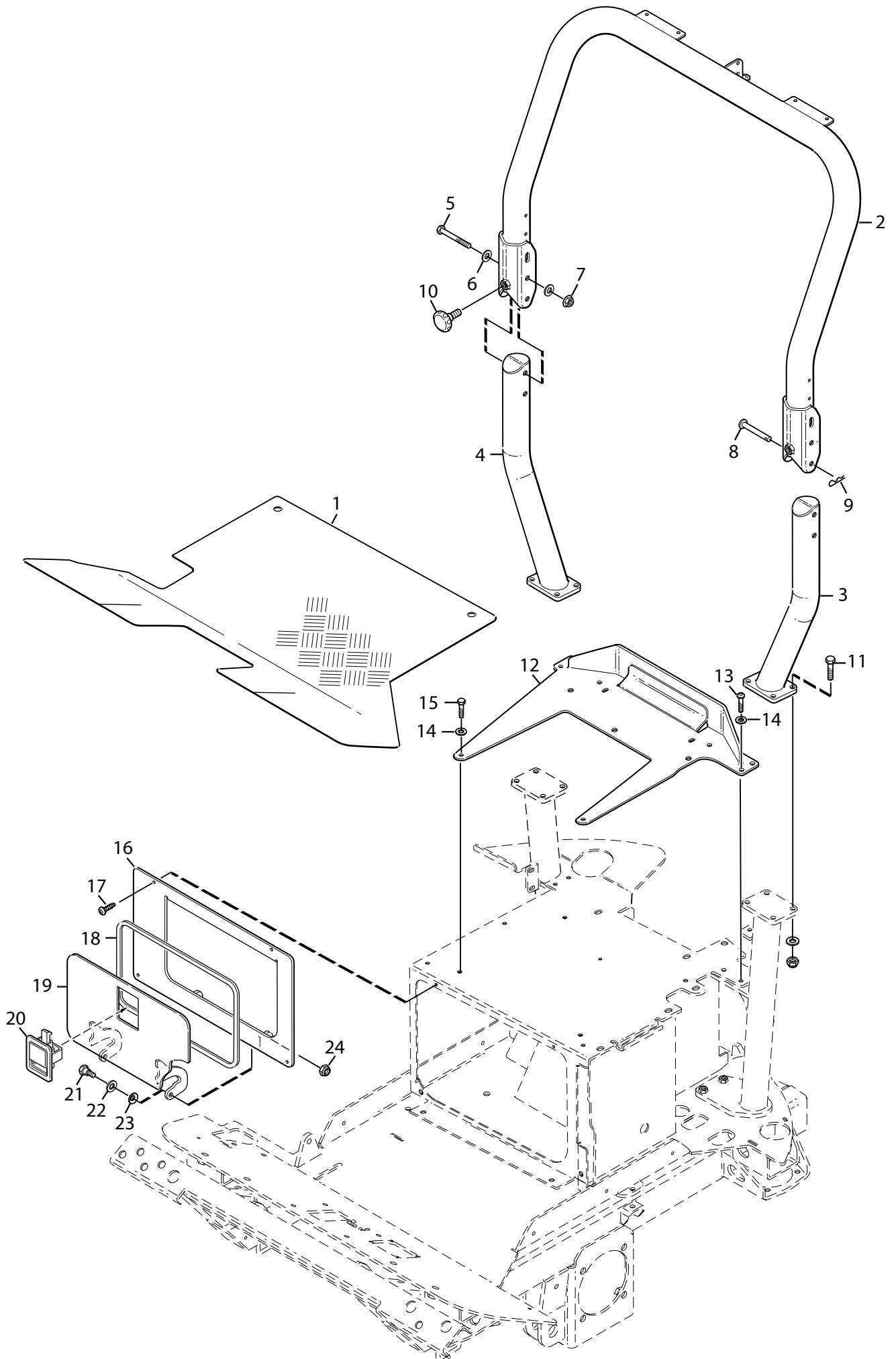
3,2 x 20



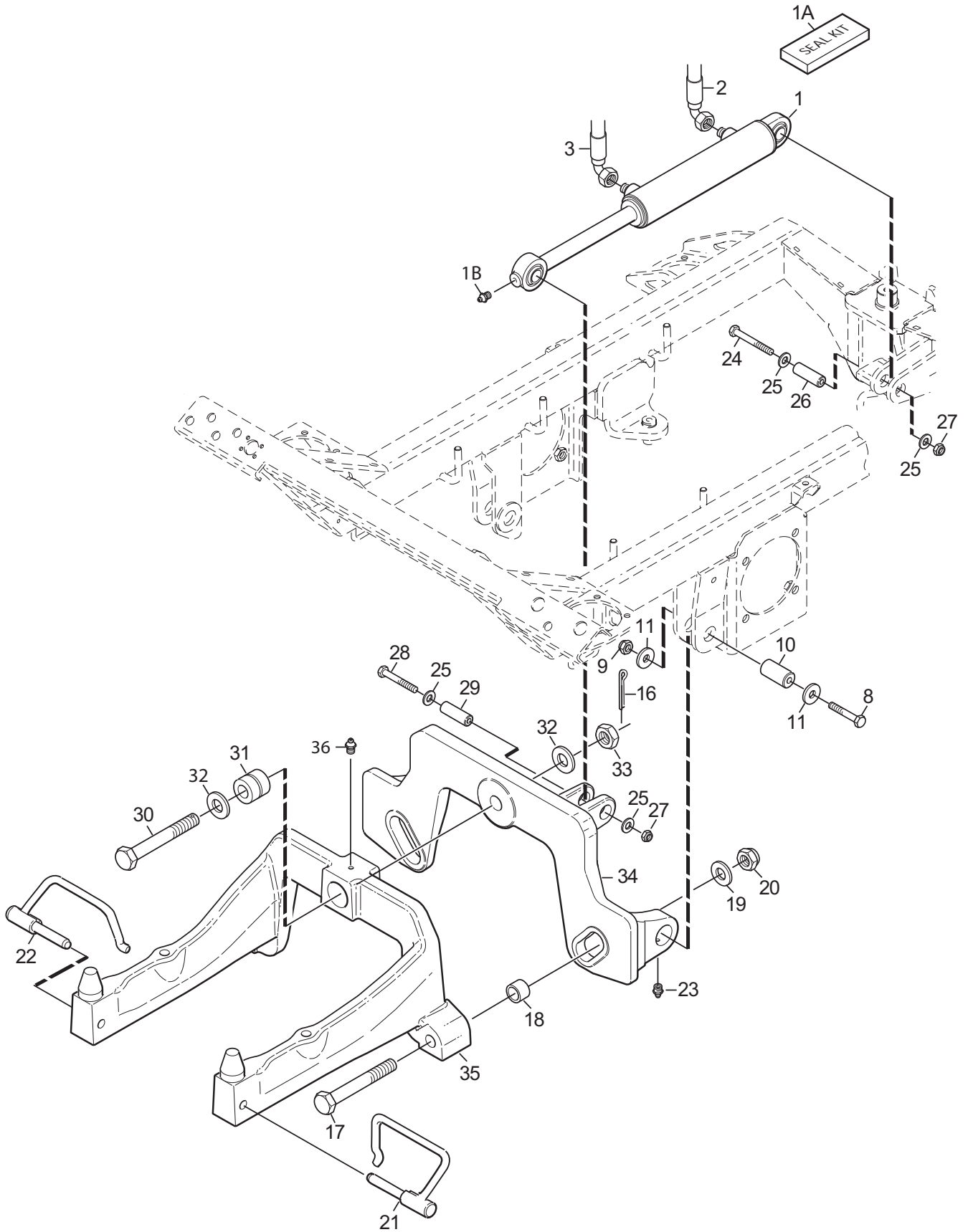
Utgåva Issue		Bildnr Picture No		TITAN RAM-FRÄMRE			FRAME-FRONT		Sida Page	
2015-11		Q-033							6	
Pos. Fig.	Antal/Quantity				Art nr Part No	Benämning	Description	Sats Kit	Anmärkning Notes	
	7454									
1	1				1137-0459-01	Ram-främre.....	Frame-front			
2	1				1135-3018-01	Länk kpl.....	Link assy		Incl. 3-5	
3	2				112379511/0	Smörjnippel	Grease joint			
4	2				9547-0006-01	Ledlager	Bearing			
5	2				9907-0610-16	Stoppskruv	Stop screw			
6	2				1135-4008-01	Bricka	Washer		V-ring	
7	2				9959-1025-16	Skruv	Screw			
8	2				9404-0204-01	V-ring	V-ring			
9	2				9404-0203-01	V-ring	V-ring			
10	1				1135-4009-01	Låsbricka	Lock washer			
11	1				9547-0007-01	Ledlager	Bearing			
12	1				9404-0202-01	V-ring	V-ring			
13	4				112379511/0	Skruv	Screw			
14	1				1137-1116-01	Bricka	Washer			
15	1				9991-1024-19	Skruv	Screw			
16	1				1135-4007-01	Lock	Cover			
17	2				9591-0016-01	Cylinder pinne	Cylinder pin			
20	4				1137-0605-01	Distans bottenplatta	Spacer floor plate			
23	16				9959-1025-16	Skruv	Screw			
24	16				9739-1031-22	Mutter	Nut			
25	4				081-384-01	Skruv	Screw			
26	4				112295801/0	Mutter	Nut			
30	1				1137-0548-01	Bottenplåt	Floor plate			
31	1				1137-0543-01	Infästning-vä.....	Attachment-LH			
32	1				1137-0544-01	Infästning-hö.....	Attachment-RH			
33	6				9959-1225-16	Skruv	Screw			
34	1				1135-3604-01	Siktfönster.....	Aim window.....			
35	4				9943-0516-16	Skruv	Screw			



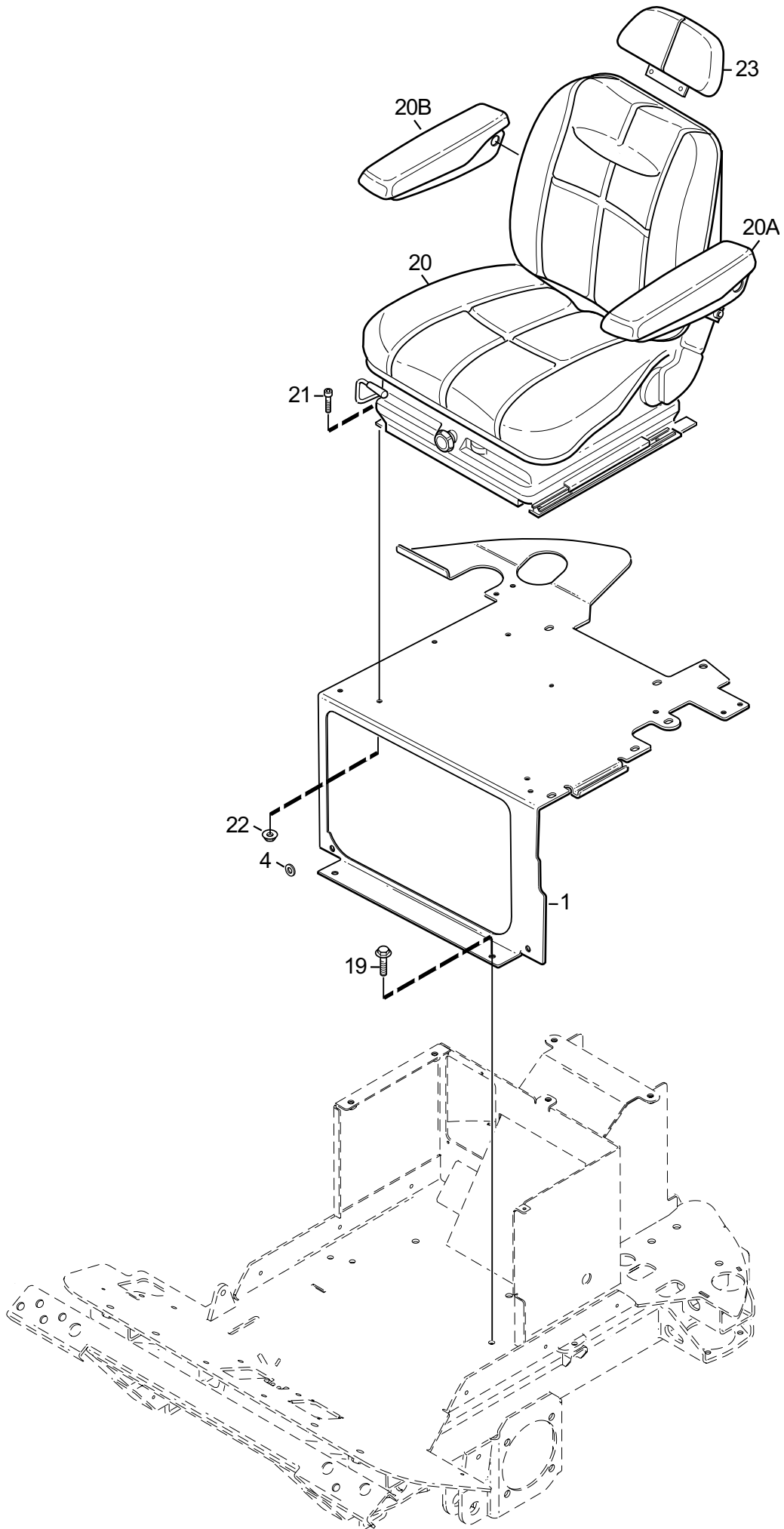
Utgåva Issue		Bildnr Picture No		TITAN RAM-BAKRE			FRAME-REAR		Sida Page	
2015-11		Q-034							8	
Pos. Fig.	Antal/Quantity				Art nr Part No	Benämning	Description	Sats Kit	Anmärkning Notes	
	7454									
1	1				1137-1121-01	Ram-bakre	Frame-rear			
2	2				9403-0058-01	Ändavslut.....	End cap.....			
3	1				1137-0553-01	Värmeskydd.....	Heat guard.....			
5	2				9945-0816-16	Skruv.....	Screw.....			
6	1				1137-0490-01	Lastram-vä.....	Load fram-LH.....			
7	1				1137-0489-01	Lastram-hö.....	Load fram-RH.....			
8	4				9939-1020-16	Skruv.....	Screw.....			
9	4				1134-0041-10	Distans	Spacer.....			
10	8				9959-1025-16	Skruv.....	Screw.....			
11	1				1137-0501-01	Tvärbalk-främre.....	Cross member-front.....			
12	1				1137-0508-01	Tvärbalk-bakre	Cross member-rear.....			
13	14				1182800815/0	Skruv.....	Screw.....			
15	6				112154220/0	Mutter	Nut.....			
16	1				1137-0557-01	Fäste.....	Bracket		Fuel pump	
17	2				9893-0616-16	Skruv.....	Screw.....			
19	1				1134-0556-01	Fäste.....	Bracket		PTO Block	
22	2				9893-0816-16	Skruv.....	Screw.....			
23	1				1137-0551-01	Remskydd	Belt protection.....		Generator	
29	2				1134-7525-01	Låssprint	Locking pin			
30	2				1134-7523-01	Låshållare	Bracket			
31	4				9943-0612-16	Skruv.....	Screw.....			
32	4				9924-0820-16	Skruv.....	Screw.....			
33	2				1135-3188-01	Styrstopp.....	Steering limit.....			
35	4				9959-0820-16	Skruv.....	Screw.....			
36	2				1137-0591-01	Ljuddämparfäste.....	Bracket, muffler.....			
37	4				9739-0831-22	Mutter	Nut.....			



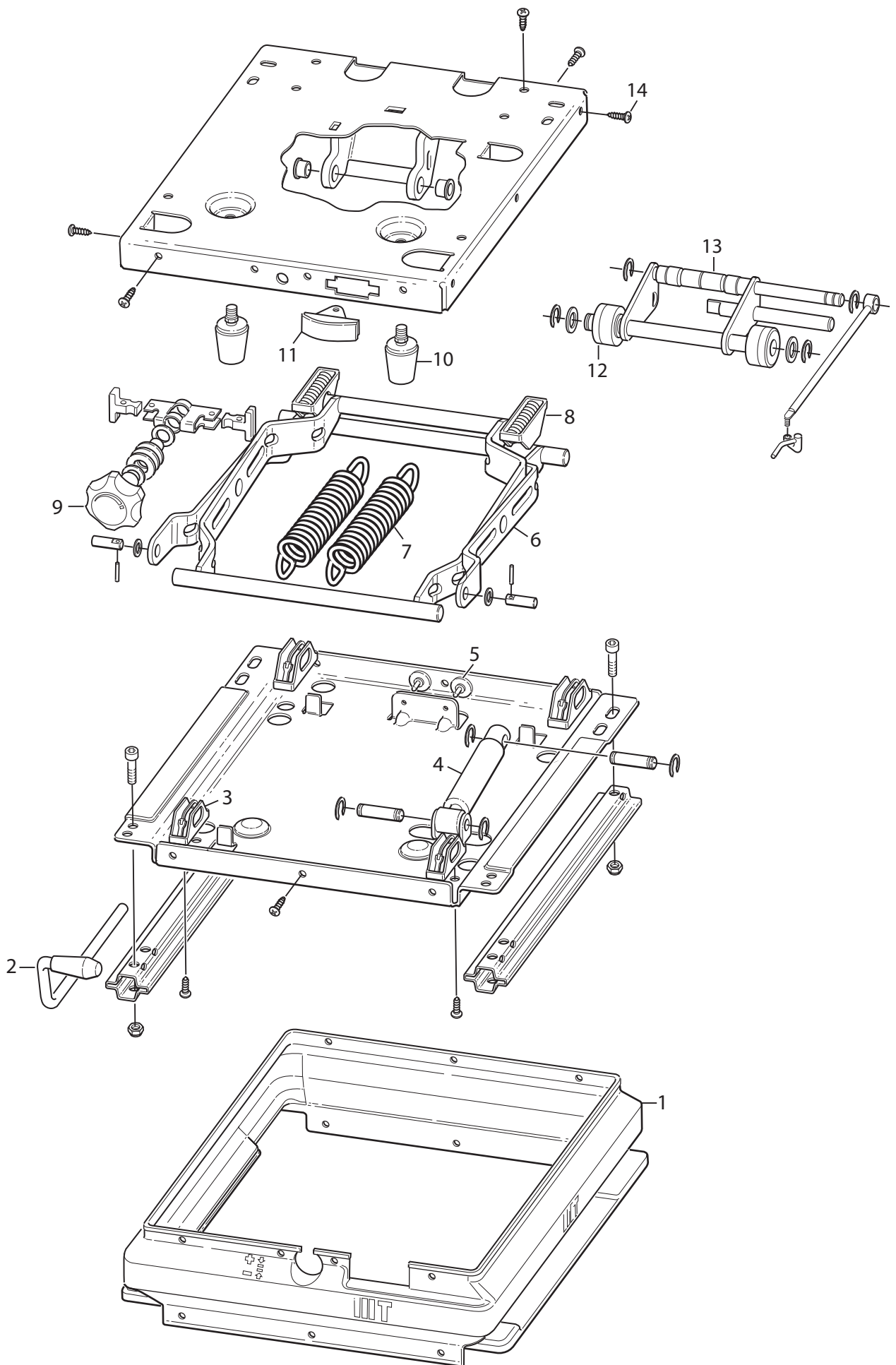
Utgåva Issue		Bildnr Picture No		TITAN RAM-ROPS		FRAME-ROPS		Sida Page	
2015-11		Q-005A						10	
Pos. Fig.	Antal/Quantity				Art nr Part No	Benämning	Description	Sats Kit	Anmärkning Notes
	7454								
1	1				1135-2527-02	Durkmatta	Floor mat		
2	1				1137-0583-01	Övre del	Upper part		
3	1				1137-0586-01	Fäste-vä	Bracket-LH		
4	1				1137-0585-01	Fäste-hö	Bracket-RH		
5	2				9997-1290-12	Skruv	Screw		
6	4				081-670-01	Bricka	Washer		
7	2				112156603/0	Mutter	Nut		
8	2				1134-7565-01	Cylindrisk bult	Bolt		
9	2				9598-0002-02	Fjäderpinne	Spring pin		
10	2				1134-7561-01	Låsratt	Locking knob		
11	8				9939-1030-16	Skruv	Screw		
12	1				1137-0696-01	Förstärkning	Reinforcement		
13	3				9959-1025-16	Skruv	Screw		
14	4				9699-0030-02	Bricka	Washer		
15	1				9997-1050-16	Skruv	Screw		
16	1				1137-0731-01	Fästram	Frame		
17	1				9840-8009-19	Skruv	Screw		
18	0,75				084-31-01	Tätninglist	Seal strip		Q per meter.
19	1				1137-0727-01	Lucka	Shutter		
20	1				1137-0730-01	Klafflås	Door latch		
21	2				1134-0240-01	Ansatskruv	Screw		
22	2				1134-4242-01	Distansbricka	Spacer		
23	2				9665-0002-00	Fjäderbricka	Springwasher		
24	2				112155000/0	Låsmutter	Lock nut		



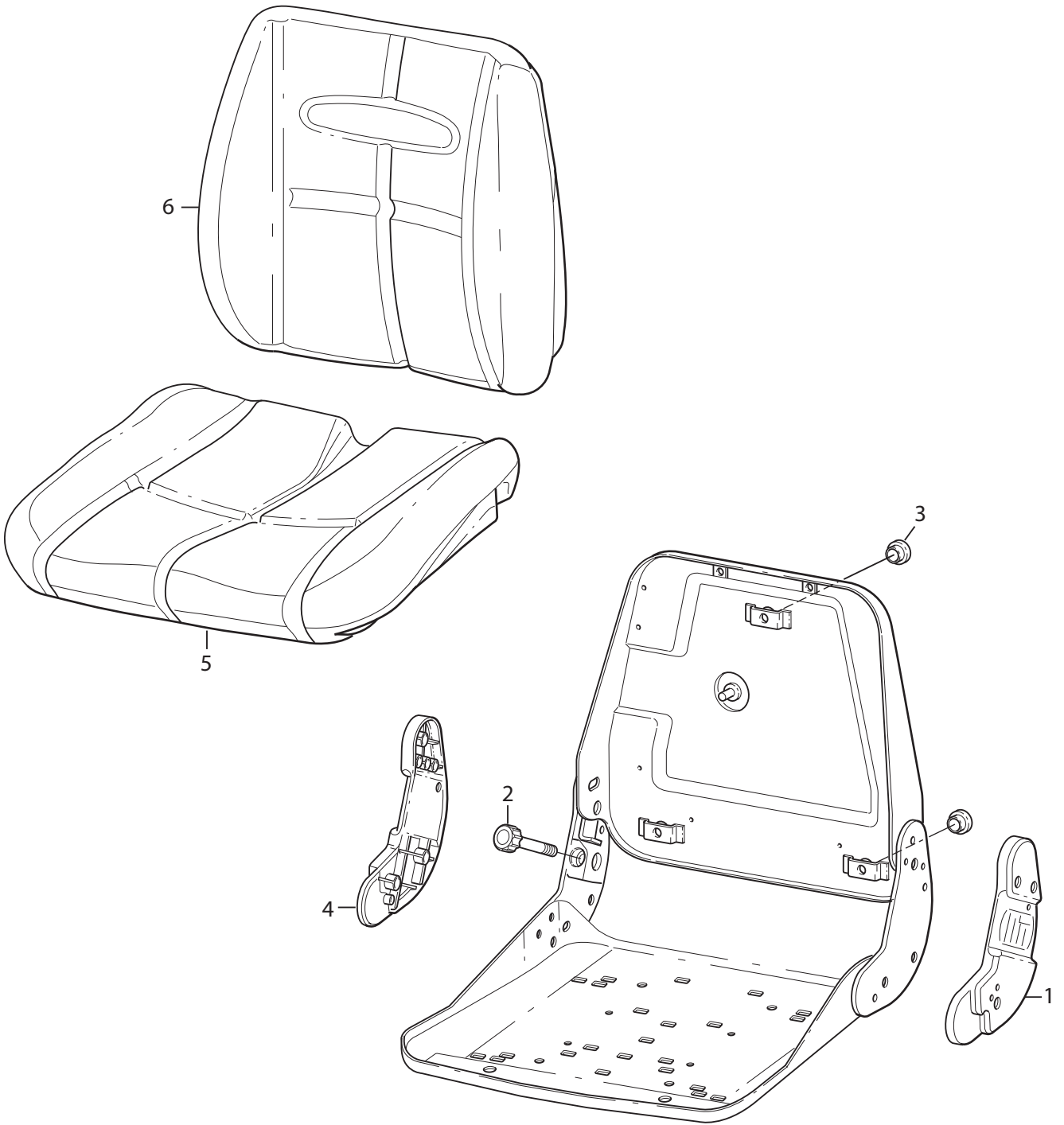
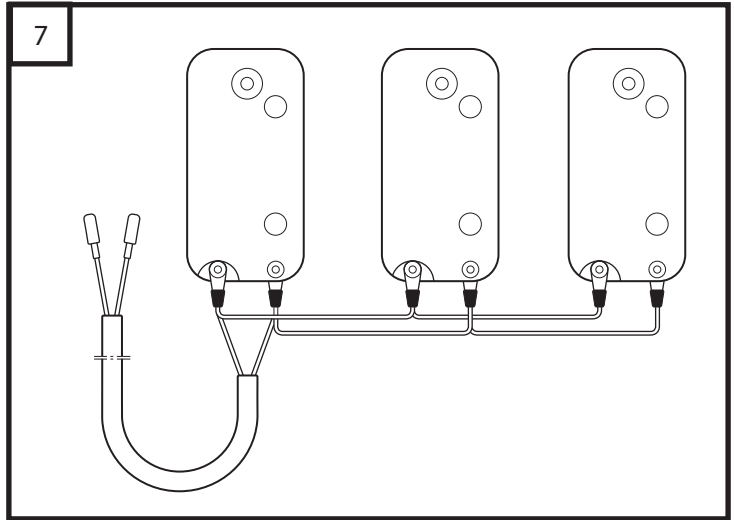
Utgåva Issue		Bildnr Picture No		TITAN REDSKAPSLYFT LIFTING DEVICE			Sida Page		
2015-11		Q-009A					12		
Pos. Fig.	Antal/Quantity				Art nr Part No	Benämning	Description	Sats Kit	Anmärkning Notes
	7454								
1	1				1134-6801-01	Lyftcylinder	Lift cylinder		Stroke = 120 mm
1A	1				1139-2083-01	Tätningssats	Seal kit		
1B	1				080-222-01	Smörjnippel	Grease joint		
2	1				1137-0186-09	Hydraulslang	Hydraulic tube		
3	1				1137-0185-21	Hydraulslang	Hydraulic tube		
8	2				9997-1070-12	Skruv	Screw		
9	2				112156602/0	Mutter	Nut		
10	2				1134-6991-01	Sprint	Pin		
11	4				1134-5406-01	Bricka	Washer		
16	1				9599-0101-02	Saxpinne	Cotter pin		
17	2				082-202-01	Skruv	Screw		
18	2				1134-3054-01	Ansatsbricka	Shoulder washer		
19	2				9690-0001-02	Bricka	Washer		
20	2				112295801/0	Mutter	Nut		
21	1				1134-7842-01	Låssprint-vä	Lock pin-LH		
22	1				1134-7842-02	Låssprint-vä	Lock pin-RH		
23	2				112379511/0	Smörjnippel	Grease joint		
24	1				112691800/0	Skruv	Screw		
25	4				112523060/0	Bricka	Washer		
26	1				1134-7557-01	Axel	Shaft		
27	2				112155000/0	Mutter	Nut		
28	1				112793905/0	Skruv	Screw		
29	1				1134-7557-02	Axel	Shaft		
30	1				1135-3306-01	Skruv	Screw		
31	1				1135-3055-01	Bussning	Bushing		
32	2				9690-0002-02	Bricka	Washer		
33	1				9747-2031-02	Mutter	Nut		
34	1				1135-4092-01	Bakstycke	Rear plate		
35	1				1135-3003-01	Redskapsfäste	Implement attachment		
36	1				080-222-01	Smörjnippel	Grease joint		



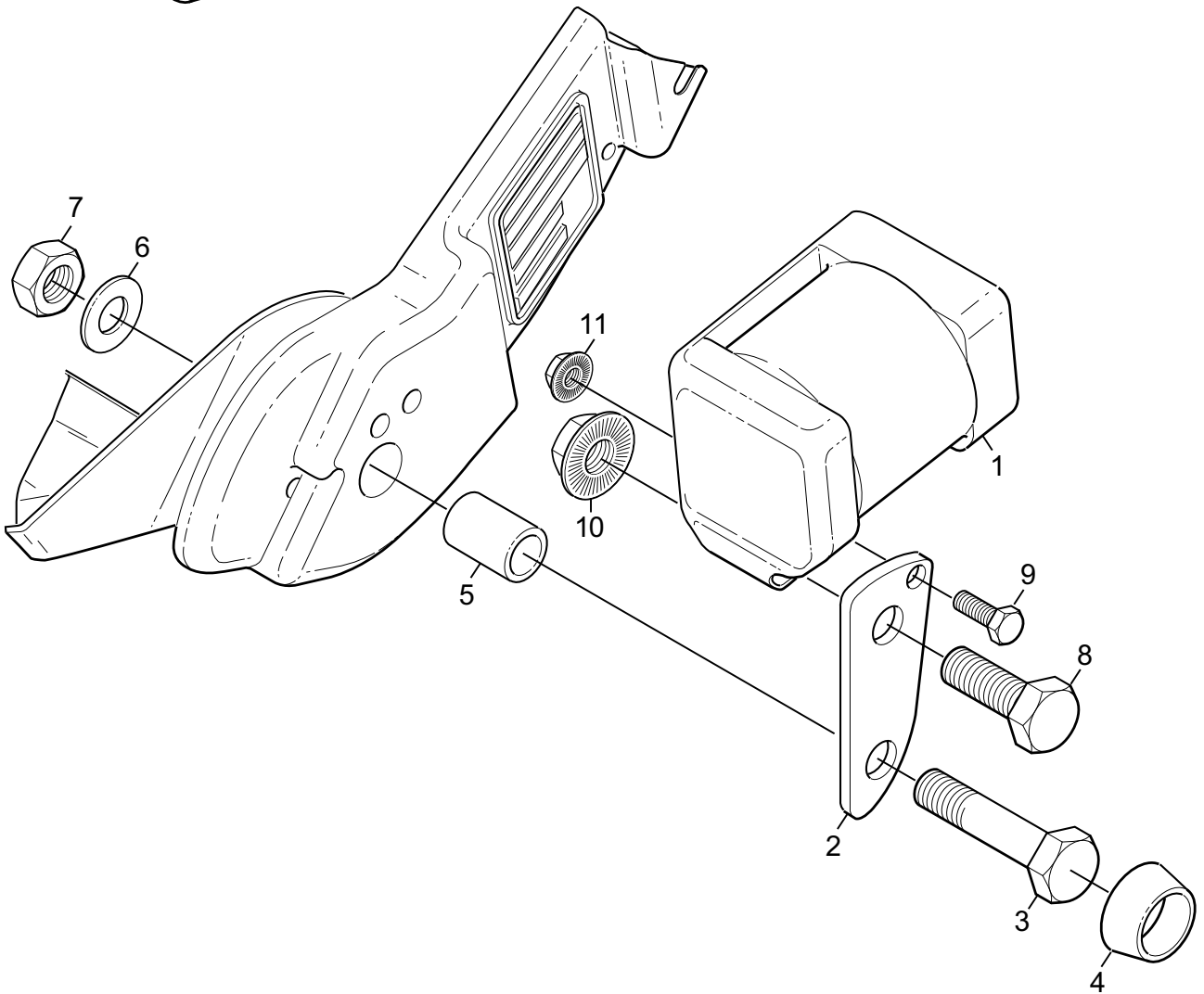
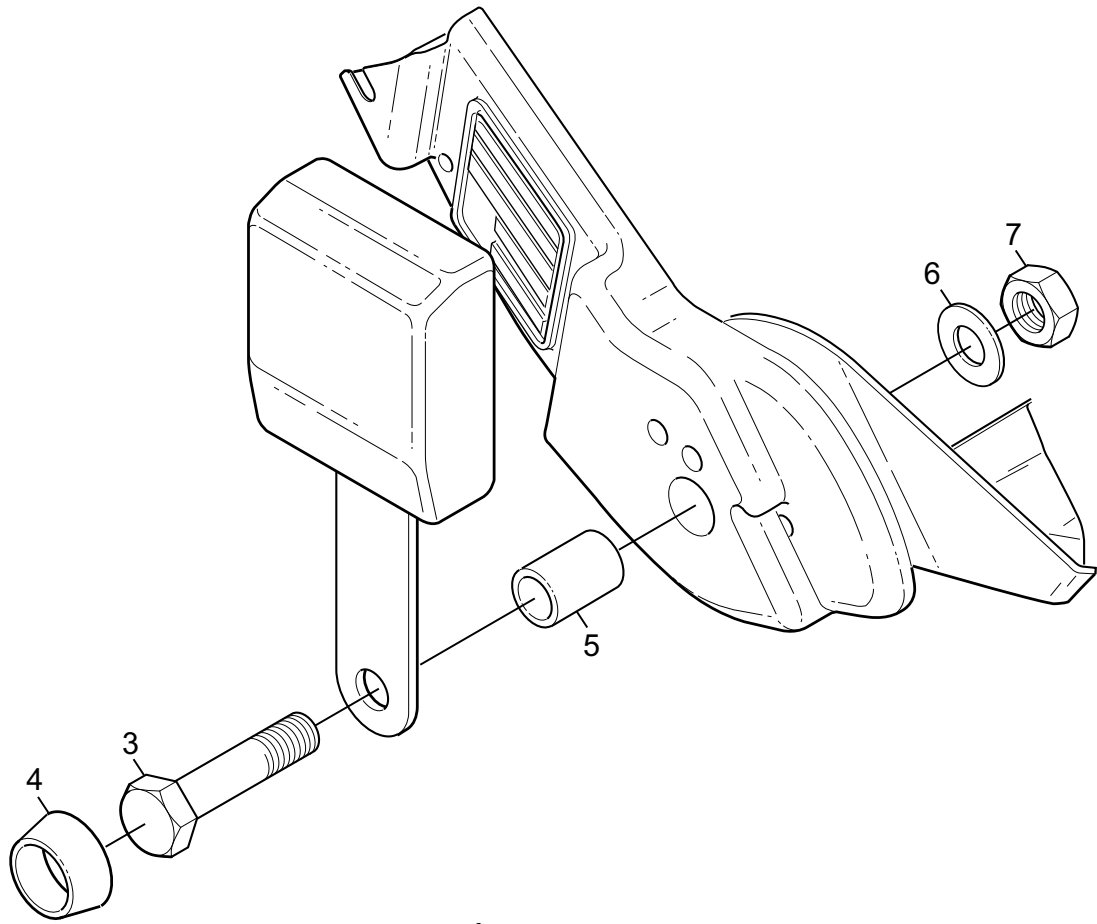
Utgåva Issue		Bildnr Picture No		TITAN SITS		SEAT		Sida Page	
2015-11		Q-035						14	
Pos. Fig.	Antal/Quantity				Art nr Part No	Benämning	Description	Sats Kit	Anmärkning Notes
	7454								
19	4			9830-0816-01	Skruv.....	Screw.....			
20	1			1134-7215-01	Sits	Seat.....			
20A	1			1134-7532-01	Armstöd-vä.....	Arm rest-LH.....			
20B	1			1134-7532-02	Armstöd-hö.....	Arm rest-RH.....			
21	4			9930-0820-16	Skruv.....	Screw.....			
22	4			9739-0831-22	Mutter	Nut.....			
23	1			1134-7258-01	Nackstöd.....	Neck support			



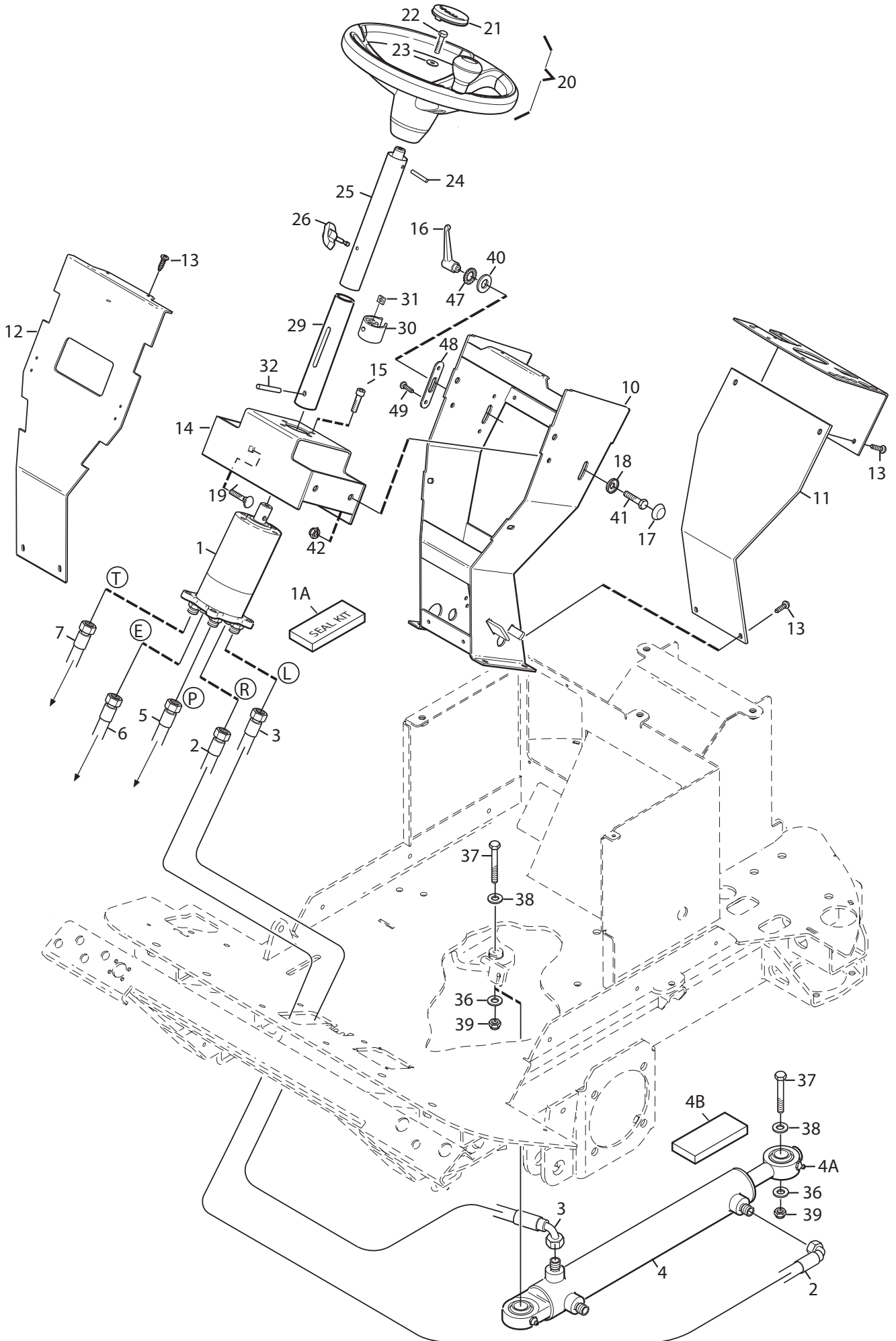
Utgåva Issue		Bildnr Picture No		TITAN SITS			SEAT		Sida Page	
2015-11		Q-011							16	
Pos. Fig.	Antal/Quantity				Art nr Part No	Benämning	Description	Sats Kit	Anmärkning Notes	
	7454									
1	1				1139-0033-01	Gummiskydd	Rubber cover		Guids included	
2	1				1139-0031-01	Inställningsspak	Adjustment lever			
3	2				1139-0025-01	Pivofäste	Pivot bracket			
4	1				1139-0028-01	Sitsdämpare	Seat damper			
5	2				1139-0023-01	Fäste	Bracket			
6	1				1139-0032-01	Fjäderarm	Spring frame			
7	2				1139-0029-01	Fjäder	Spring			
8	4				1139-0026-01	Pivofäste	Pivot bracket			
9	1				1139-0034-01	Justerratt	Adjusting knob			
10	2				1139-0017-01	Gummidämpare	Rubber damper			
11	1				1139-0027-01	Lins	Lens			
12	2				1139-0022-01	Distans	Spacer			
13	2				1139-0024-01	Axel	Shaft			
14	19				1139-0030-01	Skruv	Screw			
15	1				1139-0069-01	Ledskena	Bracket			



Utgåva Issue		Bildnr Picture No		TITAN SITS			SEAT		Sida Page	
2015-11		Q-011A							18	
Pos. Fig.	Antal/Quantity				Art nr Part No	Benämning	Description	Sats Kit	Anmärkning Notes	
	7454									
1	1				1139-0021-01	Beslag-vä	Bracket-LH			
2	1				1139-0019-01	Justerratt	Adjustment knob			
3	3				1139-0018-01	Plugg.....	Plug			
4	1				1139-0020-01	Beslag-hö	Bracket-RH			
5	1				1139-0036-01	Sitsdyna	Bottom seat			
6	1				1139-0035-01	Ryggstöd	Back rest.....			
7	1				1139-0037-01	Sitsbrytare.....	Seat switch			

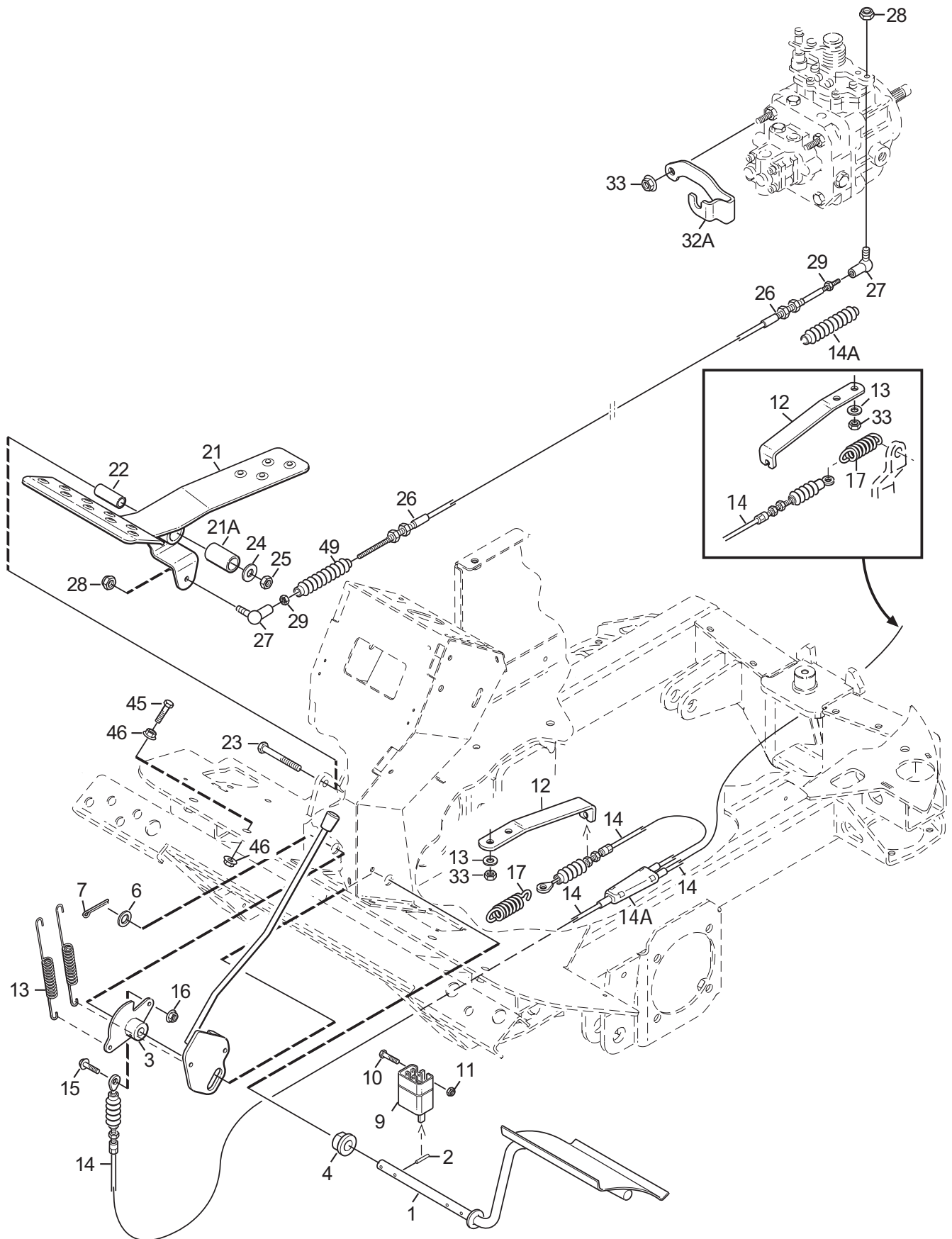


Utgåva Issue		Bildnr Picture No		TITAN SÄKERHETSBJÄLTA SEAT BELT			Sida Page		
2015-11		Q-012					20		
Pos. Fig.	Antal/Quantity				Art nr Part No	Benämning	Description	Sats Kit	Anmärkning Notes
	7454								
1	1				1134-7604-01	Säkerhetsbjälta.....	Seat belt.....		
2	1				1135-3538-01	Fästplåt	Bracket		
3	2				9997-1040-12	Skruv.....	Screw.....		
4	2				1139-0038-01	Mutterhatt	Nut cover.....		
5	2				1139-0039-01	Distans	Spacer.....		
6	2				9699-0035-02	Bricka	Distans.....		
7	2				9798-1031-02	Mutter	Nut		
8	1				9997-1020-16	Skruv.....	Screw.....		
9	1				9997-0620-16	Skruv.....	Screw.....		
10	1				9739-1031-22	Mutter	Nut		
11	1				9739-0631-22	Mutter	Nut		

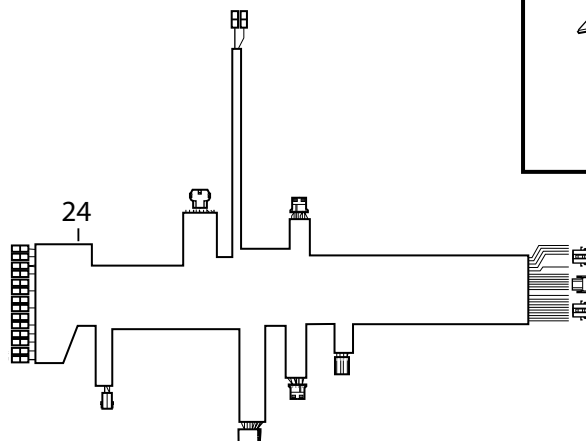
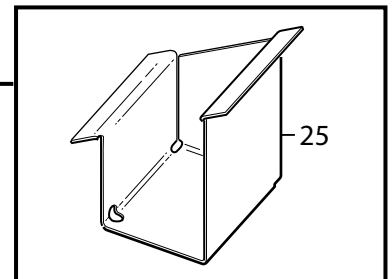
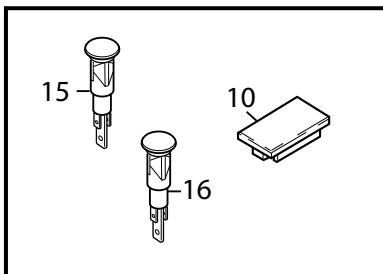
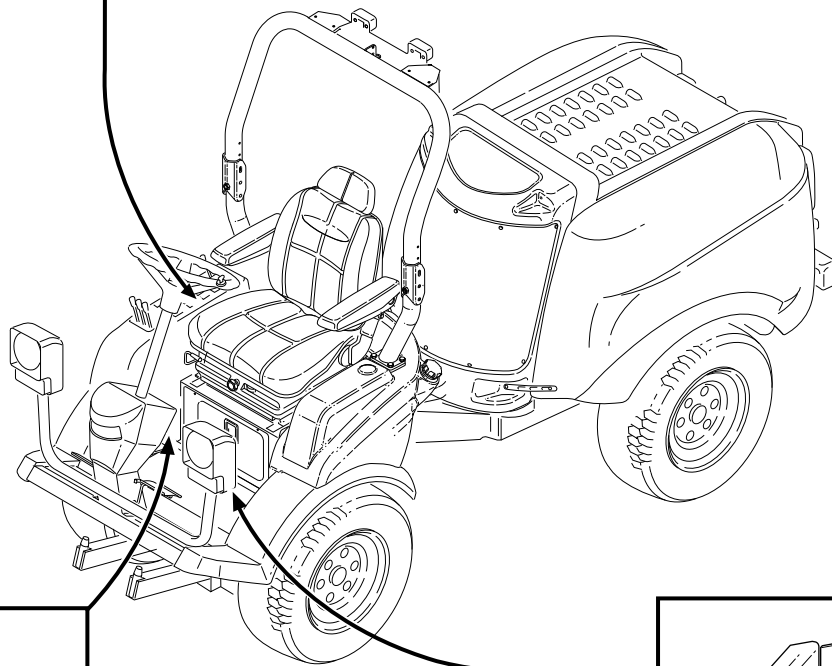
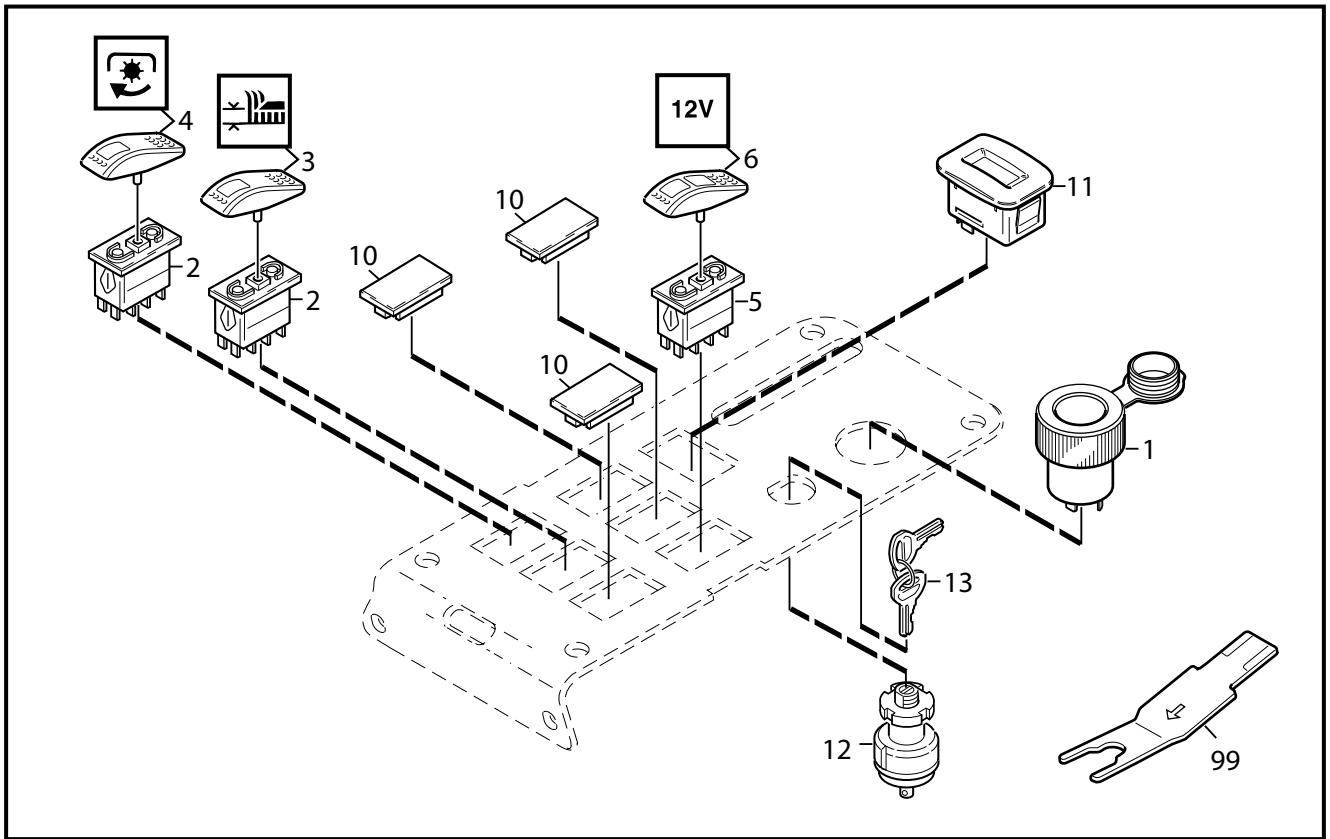


Utgåva Issue		Bildnr Picture No		TITAN STYRNING			STEERING		Sida Page	
2015-11		Q-013A							22	
Pos. Fig.	Antal/Quantity				Art nr Part No	Benämning	Description	Sats Kit	Anmärkning Notes	
	7454									
1	1				1134-7214-01	Styrervo.....	Steering booster.....			
1A	1				1139-2081-01	Tätningssats.....	Seal kit.....			
2	1				1137-0185-13	Hydraulslang.....	Hydraulic tube.....			
3	1				1137-0186-08	Hydraulslang.....	Hydraulic tube.....			
4	1				1135-2808-01	Styrcylinder.....	Steering cylinder.....			
4A	1				9501-0500-00	Smörjnippel.....	Grease joint.....			
4B	1				1139-2083-01	Tätningssats.....	Seal kit.....			
5	1				1137-0195-03	Hydraulslang.....	Hydraulic tube.....			
6	1				1137-0196-05	Hydraulslang.....	Hydraulic tube.....			
7	1				1137-0196-02	Hydraulslang.....	Hydraulic tube.....			
10	1				1137-0667-01	Styrkonsol.....	Steering bracket.....			
11	1				1134-7198-01	Bakstycke.....	Rear plate.....			
12	1				1137-0670-01	Plåt, främre.....	Front plate.....			
13	8				9893-0616-16	Skruv.....	Screw.....			
14	1				1134-6995-01	Fäste-styrervo.....	Bracket.....			
15	4				9959-0816-16	Skruv.....	Screw.....			
16	1				1134-7123-01	Låsspak.....	Locking lever.....			
17	3				9403-0053-01	Hatt.....	Cover cap.....			
18	3				9400-0052-01	Hattbricka.....	Cap ring.....			
19	1				9897-0820-16	Skruv.....	Screw.....			
20	1				337961200/0	Ratt kpl.....	Steering wheel assy.....		Pos 21-23 included	
21	1				337580550/0	Rattnav.....	Steering plate.....			
22	1				112793102/0	Skruv.....	Screw.....			
23	1				112583500/0	Låsbricka.....	Lock washer.....			
24	1				112620299/0	Spännstift.....	Locating pin.....			
25	1				387520101/0	Rattstång.....	Steering column.....			
26	1				337394201/0	Knopp.....	Knob.....			
29	1				1134-5216-01	Rattrör inre.....	Steering tube-inner.....			
30	1				1134-5177-01	Slid.....	Slide.....			
31	1				9710-0631-12	Fyrkantmutter.....	Square nut.....			
32	2				9595-0258-01	Spännstift.....	Locating pin.....			
36	2				9690-0003-02	Bricka.....	Washer.....			
37	2				112691800/0	Skruv.....	Screw.....			
38	2				112523060/0	Bricka.....	Washer.....			
39	2				112155000/0	Mutter.....	Nut.....			
40	1				9699-0090-02	Bricka.....	Washer.....			
41	3				9959-0816-16	Skruv.....	Screw.....			
42	3				9739-0831-22	Mutter.....	Nut.....			
47	1				081-470-01	Låsbricka.....	Lock washer.....			
48	1				1135-2514-01	Slitplåt.....	Wear plate.....			
49	1				9893-0616-16	Skruv.....	Screw.....			
52	4				9893-0616-16	Skruv.....	Screw.....			

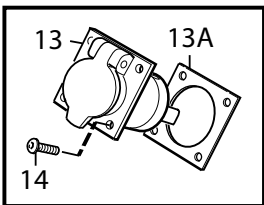
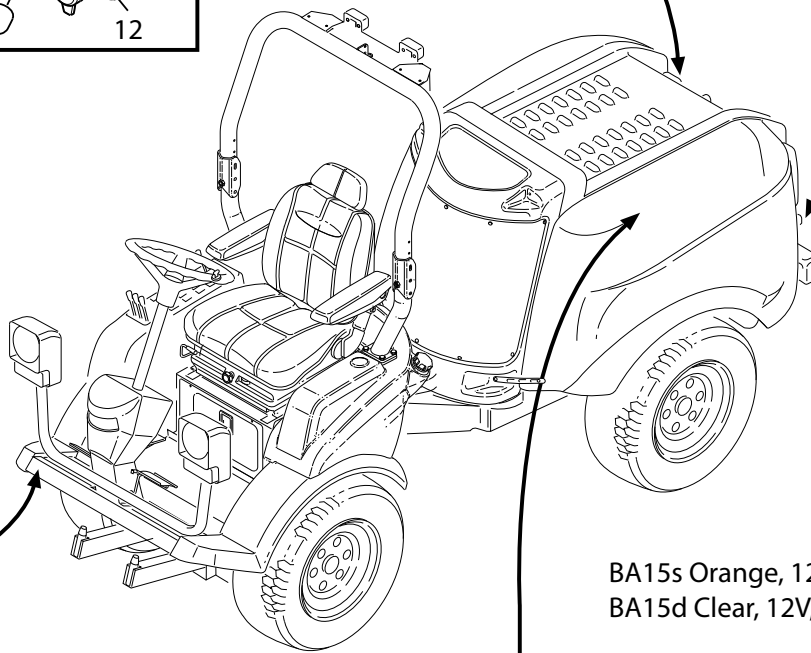
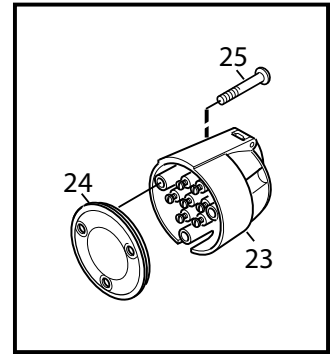
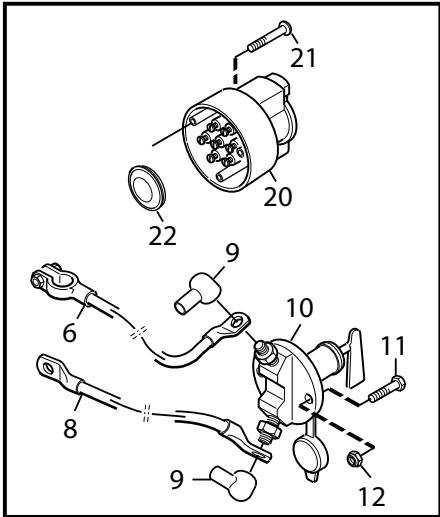
Utgåva Issue		Bildnr Picture No		TITAN HANDREGLAGE HAND CONTROLS			Sida Page		
2015-11		Q-014					24		
Pos. Fig.	Antal/Quantity				Art nr Part No	Benämning	Description	Sats Kit	Anmärkning Notes
	7454								
1	1				1135-2577-01	Reglagefäste	Control attachment.....		
2	4				9959-0820-16	Skruv.....	Screw.....		
3	4				9699-0056-02	Bricka	Washer.....		
4	4				9739-0831-22	Mutter	Nut.....		
5	5				1135-3614-01	Samlingsplatta	Collecting plate		
6	4				9893-0616-16	Skruv.....	Screw.....		
7	1				1137-0698-01	Instrumentpanel	Control panel.....		
8	2				9959-0616-16	Skruv.....	Screw.....		
9	1				1134-7257-04	Gasreglage	Throttle control		
9A	1				1135-3948-01	Gummibälg	Rubber protection.....		
10	3				9950-0530-16	Skruv.....	Screw.....		
11	1				9747-0531-02	Mutter	Nut.....		
12	2				9747-0631-01	Mutter	Nut.....		
13	1				1135-3616-01	Reläkonsol	Relay bracket		
15	2				9997-0645-12	Skruv.....	Screw.....		
16	2				112154510/0	Mutter	Mutter.....		
17	1				1134-7474-01	Brytarhållare	Switch bracket.....		
18	1				1135-3127-01	Brytararm.....	Switch lever		
19	2				9997-0416-16	Skruv.....	Screw.....		
20	1				9652-0007-04	Spärryttare	Circlip		
21	3				9946-0525-16	Skruv.....	Screw.....		
22	3				1135-2497-01	Spak	Lever		
23	3				1135-2498-01	Knopp	Lever		
30	1				9400-0360-01	Microbrytare	Micro switch		
31	2				9840-7716-16	Skruv.....	Screw.....		
40	1				1137-0563-01	Gaswirefäste	Bracket		
41	2				9959-0616-16	Skruv.....	Screw.....		



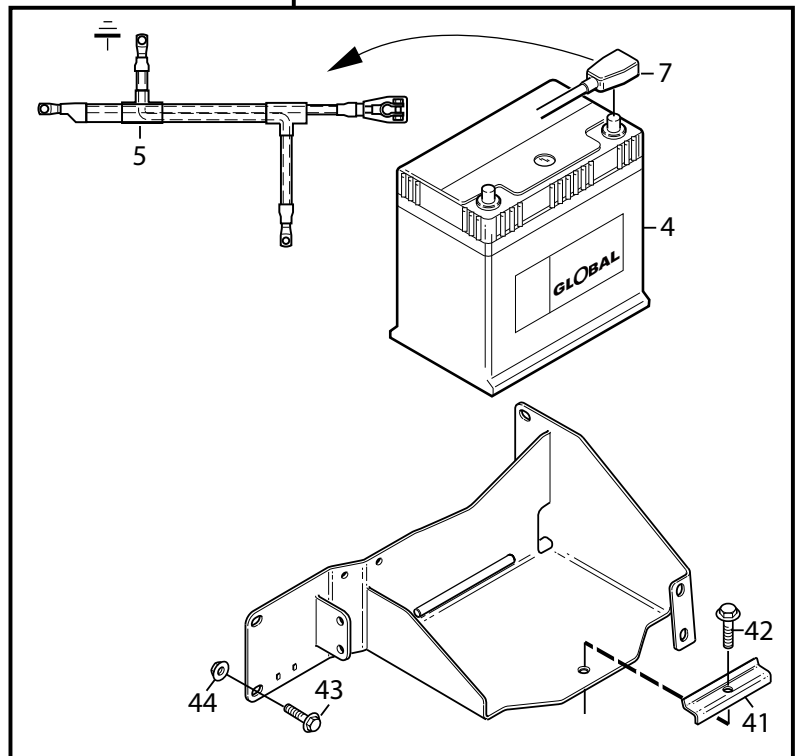
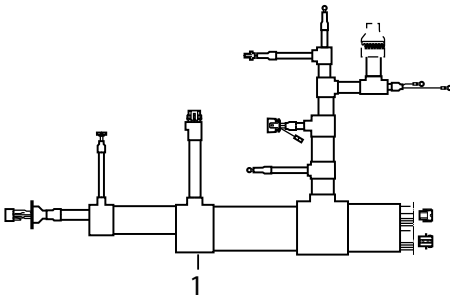
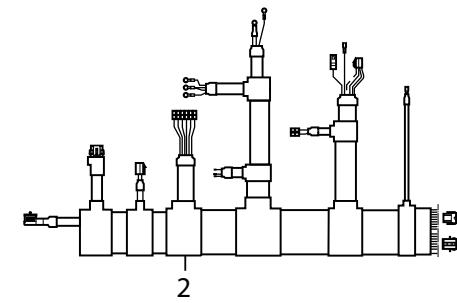
Utgåva Issue		Bildnr Picture No		TITAN FOTREGLAGE FOOT CONTROLS			Sida Page		
2015-11		Q-015					26		
Pos. Fig.	Antal/Quantity				Art nr Part No	Benämning	Description	Sats Kit	Anmärkning Notes
	7454								
1	1				1134-7267-03	Bromspedal.....	Brake pedal		
2	3				9595-0210-00	Spännstift.....	Locating pin		
3	1				1137-0706-01	Bromsarm	Brake lever		
4	2				1134-6313-01	Lager.....	Bearing		
5	1				1137-0702-01	Bromsspärr	Brake lock		
6	1				9699-0036-02	Bricka	Washer.....		
7	1				9599-0080-02	Saxpinne	Cotter pin		
8	2				1134-7401-01	Fjäder.....	Spring		
9	1				1134-3999-01	Brytare	Switch		
10	2				9997-0520-16	Skruv.....	Screw.....		
11	2				9747-0531-02	Mutter	Nut.....		
12	4				1137-0589-01	Bromswirefäste.....	Brake cable bracket.....		
13	8				9930-0816-16	Skruv.....	Screw.....		
14	2				1137-1137-01	Bromswire	Brake cable		
14A	2				1135-3948-01	Gummibälg.....	Rubber protection.....		
15	1				9997-0525-16	Skruv.....	Screw.....		
16	1				112154330/0	Mutter	Nut.....		
17	4				1134-7321-01	Dragfjäder.....	Spring		
21	1				1134-7216-02	Fartpedal.....	Drive pedal		
21A	1				9548-0027-01	Glidlager	Bearing		
22	1				1134-7217-01	Distans	Spacer.....		
23	1				9997-1050-12	Skruv.....	Screw.....		
24	1				9699-0030-02	Bricka	Washer.....		
25	1				1134-4775-01	Mutter	Nut.....		
26	1				1134-7054-03	Reglagekabel	Control cable		Inkl. pos 29
27	2				9570-0004-00	Vinkellänk.....	Elbow link		
28	2				9747-0631-02	Mutter	Nut.....		
29	2				9739-0631-22	Mutter	Nut.....		
32	1				1137-0564-01	Fäste	Bracket		
33	2				9747-1231-02	Mutter	Nut.....		



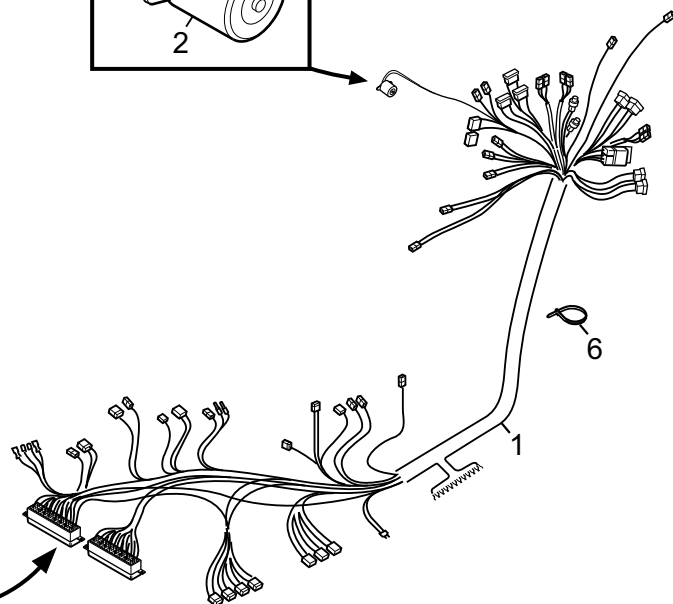
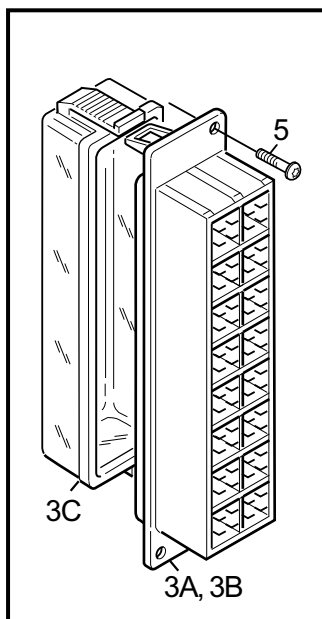
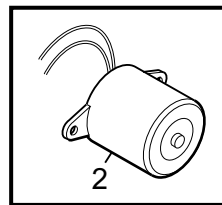
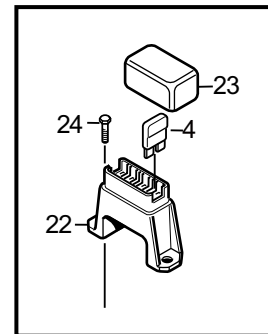
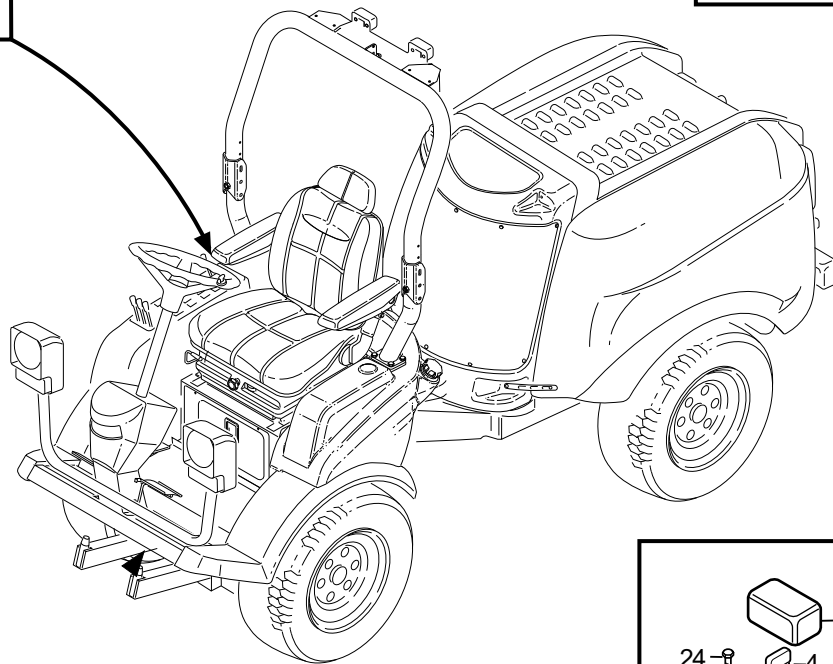
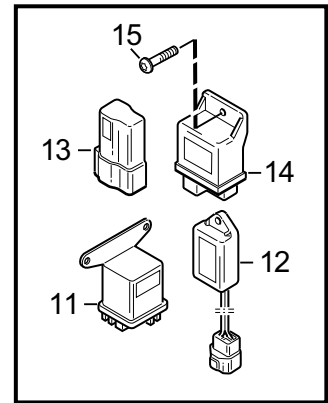
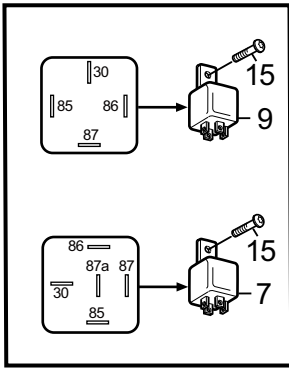
Utgåva Issue		Bildnr Picture No		TITAN ELSYSTEM 1			ELECTRICAL SYSTEM 1		Sida Page	
2015-11		Q-036							28	
Pos. Fig.	Antal/Quantity				Art nr Part No	Benämning	Description	Sats Kit	Anmärkning Notes	
	7454									
1	1				9400-0317-02	Eluttag.....	Socket.....			
2	2				9400-0282-01	Brytare	Switch			
3	1				9400-0280-03	Vippa.....	Switch cover.....		Höjd.inst/Height. adjust	
4	1				9400-0343-01	Vippa.....	Switch cover.....		PTO	
5	1				9400-0321-01	Brytare	Switch			
6	1				9400-0322-01	Vippa.....	Switch cover.....		12V	
10	3				1134-4129-01	Täckbricka	Cover.....			
11	1				1134-6097-02	Timräknare.....	Hour meter			
12	1				1135-2754-01	Tändningslås.....	Ignition key		Incl. Keys	
13	1				1135-2505-01	Startnyckel	Starter key			
15	3				9400-0320-01	Kontrollampa-röd	Pilot lamp-red.....			
16	2				9400-0346-01	Kontrollampa-blink röd.....	Pilot lamp-flashing red.....			
24	1				1137-0817-01	Kablage	Kablage		Styrkonsol/Steering bracket	
25	1				1137-0697-01	Förvaringslåda	Box			
99	1				9400-0290-00	Verktyg för vippa.....	Tool		Tillbehör/Accessory	



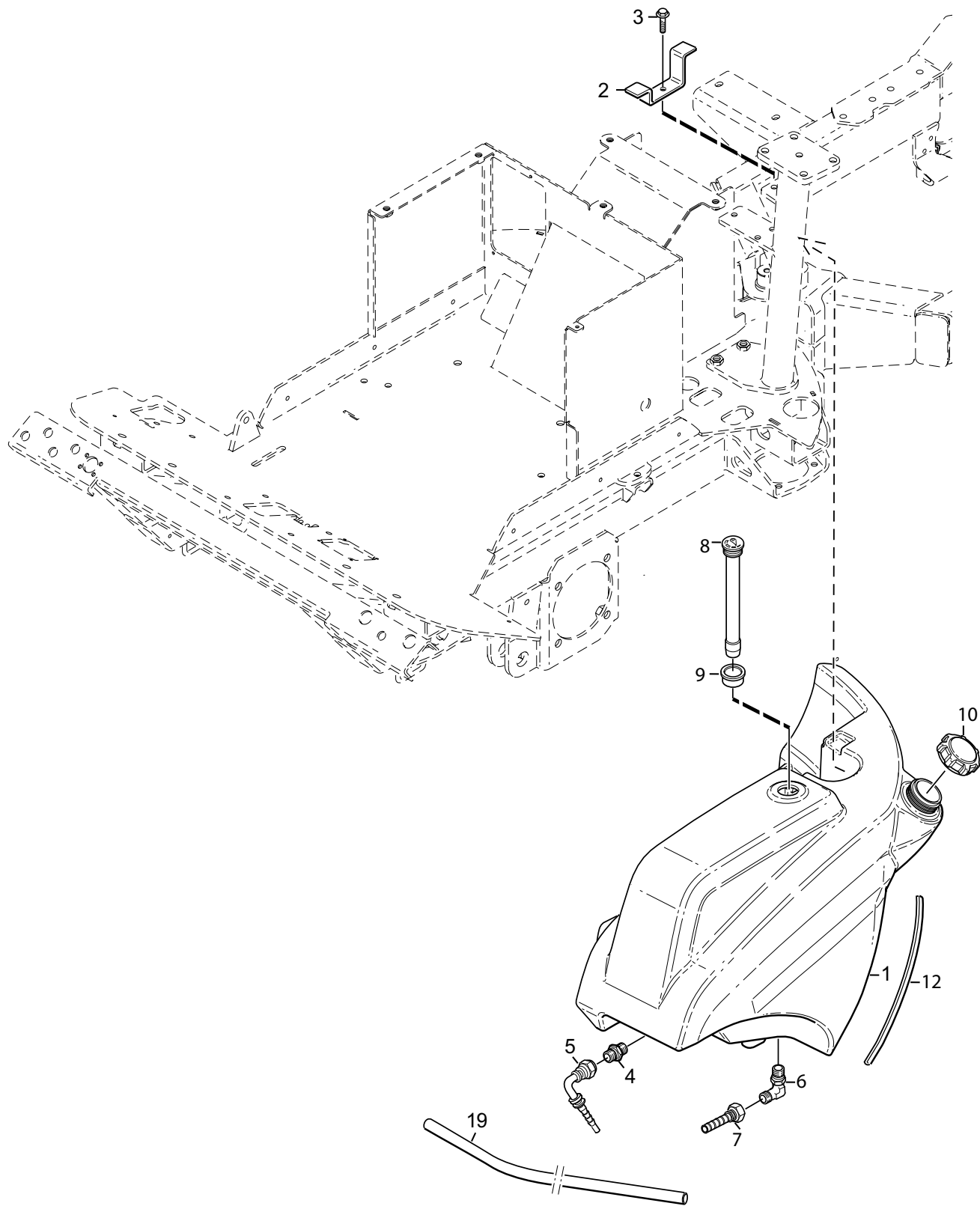
BA15s Orange, 12V, 21W
 BA15d Clear, 12V, 5/21W



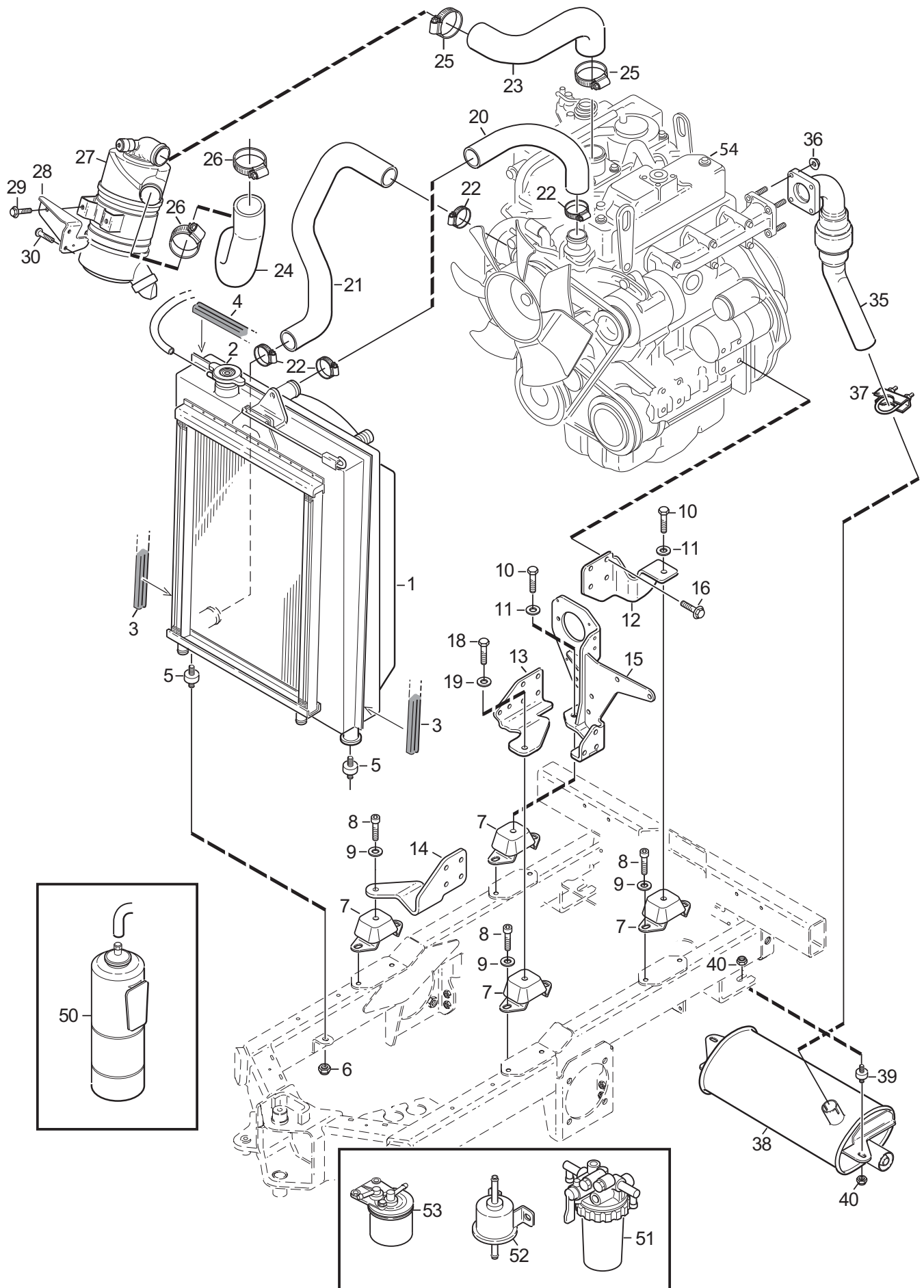
Utgåva Issue 2015-11		Bildnr Picture No Q-037		TITAN ELSYSTEM 2 ELECTRICAL SYSTEM 2			Sida Page 30		
Pos. Fig.	Antal/Quantity				Art nr Part No	Benämning	Description	Sats Kit	Anmärkning Notes
	7454								
1	1				1137-0661-01	Kablage bak-vä.....	Harness rear-LH.....		
2	1				1137-0662-01	Kablage bak-hö.....	Harness rear-RH.....		
4	1				1134-7203-01	Batteri	Battery		
5	1				1137-0663-01	Batterikablage +	Battery Harness +		
6	1				1134-7237-06	Kabel -	Cable -		
7	1				118564864/1	Polskydd	Insulator		
9	2				118564861/1	Polskydd	Insulator		
10	1				9400-0316-01	Huvudströmbrytare.....	Main switch.....		
11	2				9959-0616-16	Skruv.....	Screw.....		
12	2				9739-0631-22	Mutter	Nut.....		
13	1				1134-7535-01	Honkontakt	Female terminal		
13A	1				1134-4052-01	Stödbricka.....	Support washer.....		
14	2				9840-7716-16	Skruv.....	Screw.....		
20	1				9400-0347-01	Stickdosa.....	Socket.....		
21	3				9947-0540-19	Skruv.....	Screw.....		
22	1				9403-0056-01	Membrangenomföring	Grommet		
23	1				084-036-01	Stickdosa.....	Socket.....		
24	1				084-464-01	Kabelgenomföring.....	Grommet		
25	3				9946-0525-16	Skruv.....	Screw.....		
40	1				1137-0509-01	Batterihållare	Battery holder.....		
41	1				1134-6943-01	Batteriklämma	Battery clamp.....		
42	1				9959-0820-16	Skruv.....	Screw.....		
43	4				9959-0816-16	Skruv.....	Screw.....		
44	4				9747-0831-02	Mutter	Nut.....		



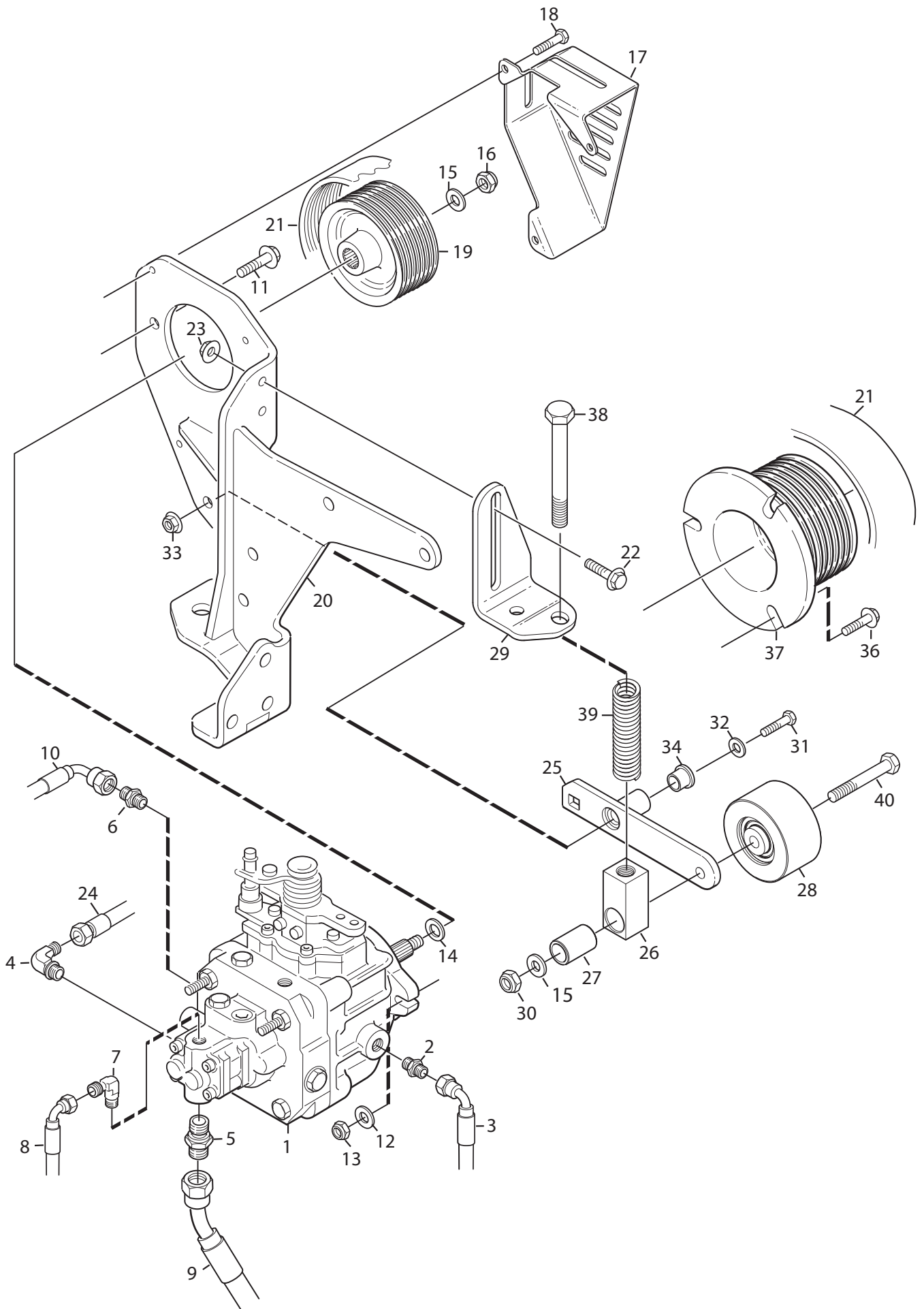
Utgåva Issue		Bildnr Picture No		TITAN ELSYSTEM 3			ELECTRICAL SYSTEM 3		Sida Page	
2015-11		Q-038							32	
Pos. Fig.	Antal/Quantity				Art nr Part No	Benämning	Description	Sats Kit	Anmärkning Notes	
	7454									
1	1				187040314/0	Kablage kpl.....	Cable harness			
2	1				1134-7530-01	Summer.....	Beeper			
3A	1				9400-0342-01	Säkringshållare	Fuse holder.....		Svart/Black Grön/Green	
3B	1				9400-0342-02	Säkringshållare	Fuse holder.....			
3C	2				9400-0350-01	Lock för säkringshållare.....	Cover for fuse holder			
4	1				1134-3496-08	Säkring	Fuse		40A	
4	3				1134-3496-07	Säkring	Fuse		30A	
4	3				1134-3496-04	Säkring	Fuse		20A	
4	4				1134-3496-01	Säkring	Fuse		10A	
5	7				9943-0516-01	Skruv.....	Screw.....			
6	5				9579-0003-00	Buntband.....	Cable holder			
7	1				1134-2871-03	Relä.....	Relay			
9	1				1134-2871-01	Relä.....	Relay			
11	1				1134-2748-01	Relä-bränsleventil.....	Relay-flash valve			
12	1				1135-2749-01	Timer	Timer			
13	1				1135-2747-01	Diod	Diode.....			
14	1				1135-2753-01	Kontrollenhet	Control unit			
15	12				9893-0616-16	Skruv.....	Screw.....			
22	1				1134-3491-01	Säkringshållare	Fuse holder.....			
23	1				1134-3631-01	Lock för säkringshållare.....	Cover for fuse holder			
24	2				9943-0516-01	Skruv.....	Screw.....			



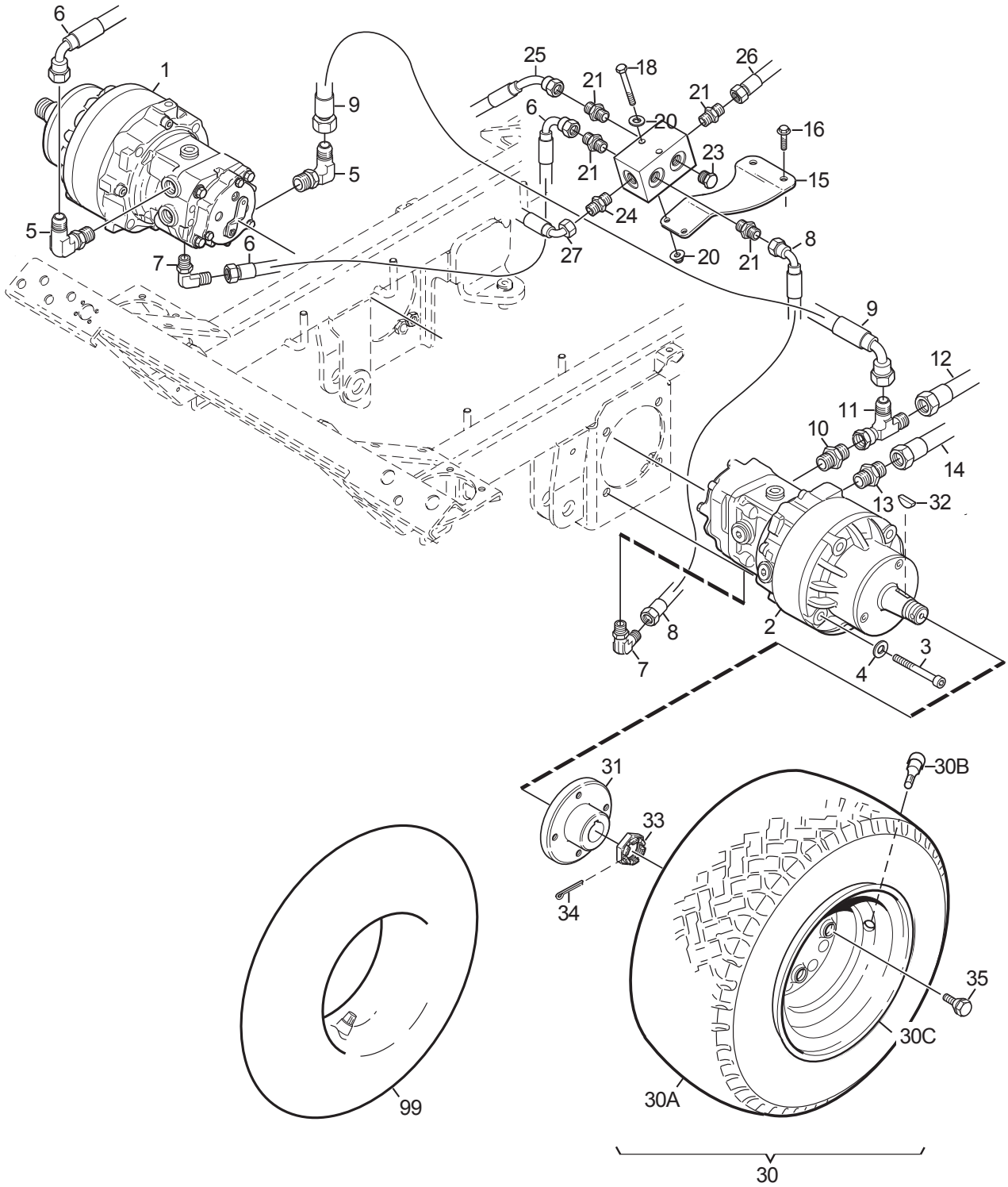
Utgåva Issue		Bildnr Picture No		TITAN BRÄNSLETANK		FUEL TANK		Sida Page	
2015-11		Q-019						34	
Pos. Fig.	Antal/Quantity				Art nr Part No	Benämning	Description	Sats Kit	Anmärkning Notes
	7454								
1	1			1137-0656-01	Bränsletank	Fuel tank.....			
2	1			1135-2522-01	Tankbygel	Tank clamp.....			
3	1			9945-0816-16	Skruv.....	Screw.....			
4	1			1134-4282-01	Hydraulnippel	Nipple.....			
5	1			1135-2796-01	Slangstolpe	Tube coupling			
6	1			112000402/0	Adapter	Tube coupling			
7	1			1135-3670-01	Slangstolpe	Tube coupling			
8	1			1135-2526-01	Bränslenivågivare	Fuel level indicator			
9	1			1135-2528-01	Gummimanschett.....	Rubber sleeve.....			
10	1			1135-3447-01	Tanklock	Fuel cap.....			
12	1			1135-3768-02	Tätninglist	Seal strip.....			
19	0,81			9505-0002-01	Bränsleslang	Fuel line			Quantity per meter
19	2,16			9505-0002-02	Bränsleslang	Fuel line			Quantity per meter
19	0,95			9505-0002-03	Bränsleslang	Fuel line			Quantity per meter
20	10			9578-0023-02	Slangklämma	Hose clamp.....			Not illustrated



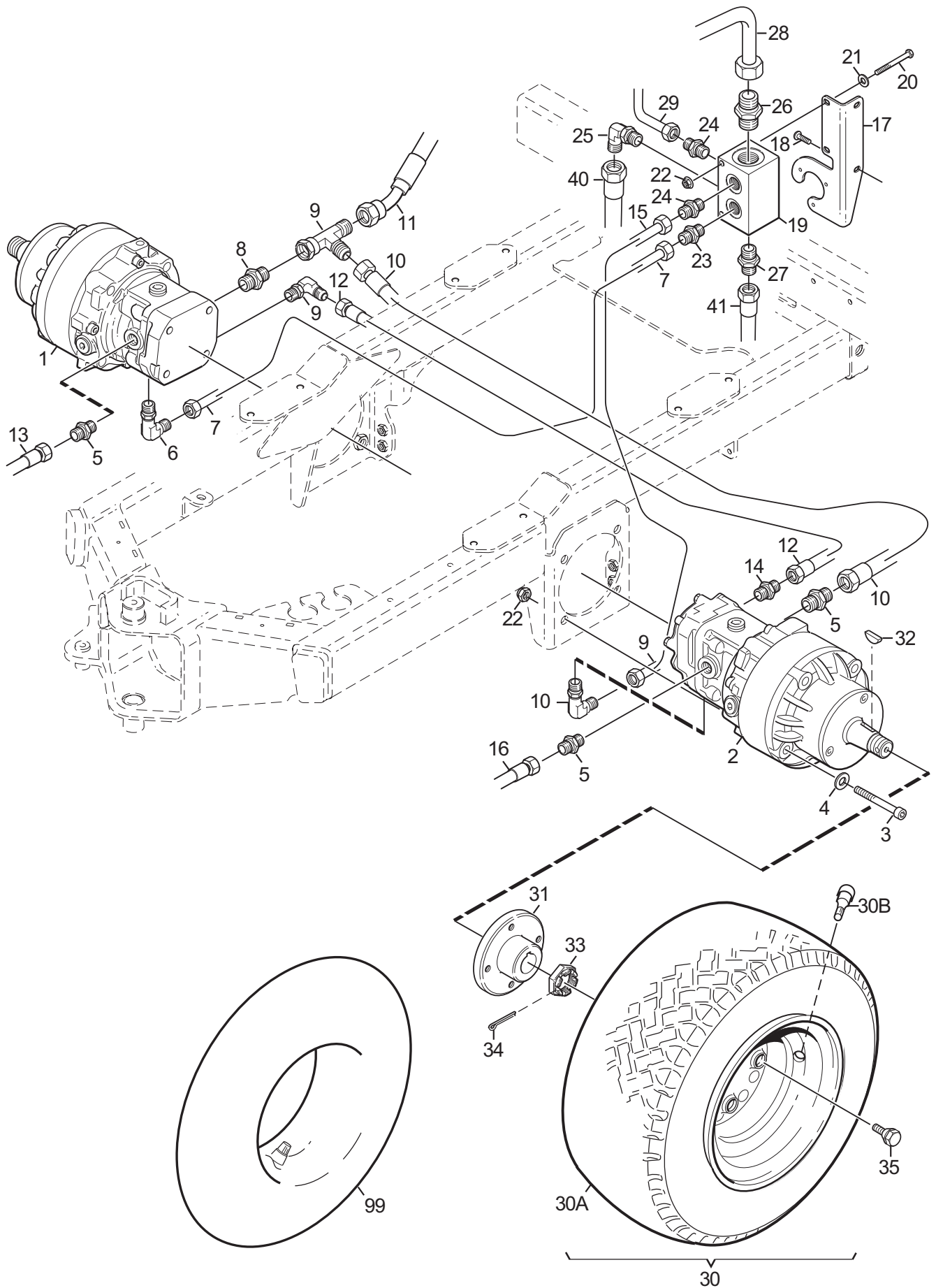
Utgåva Issue		Bildnr Picture No		TITAN MOTOR			ENGINE		Sida Page	
2015-11		Q-020B							36	
Pos. Fig.	Antal/Quantity				Art nr Part No	Benämning	Description	Sats Kit	Anmärkning Notes	
	7454									
1	1			1137-0690-01	Kylare	Cooler.....				
2	1			1139-2122-01	Lock.....	Cover.....				
3	2			084-312-01	Tätninglist	Seal strip.....				
4	1			084-239-01	Tätninglist	Seal strip.....				
5	2			9550-0008-03	Vibrationsdämpare.....	Vibration damper				
6	4			9747-0831-22	Mutter	Nut.....				
7	4			084-362-01	Motorkudde	Engine cushion.....				
8	8			9939-1020-16	Skruv.....	Screw.....				
9	8			9699-0035-02	Bricka	Washer.....				
10	4			9997-1230-16	Skruv.....	Screw.....				
11	4			9699-0036-02	Bricka	Washer.....				
12	1			1137-0512-01	Motorfäste.....	Engine bracket				
13	1			1137-0514-01	Motorfäste.....	Engine bracket				
14	1			1137-0513-01	Motorfäste.....	Engine bracket				
15	1			1137-0517-01	Fäste HST pump	Bracket HST pump				
16	16			9959-1225-16	Skruv.....	Screw.....				
20	1			1137-0565-01	Kylarslang.....	Cooling hose				
21	1			1137-0566-01	Kylarslang.....	Cooling hose				
22	2			085-520-01	Slangklämma	Hose clamp.....				
23	1			1137-0567-01	Insugningsslang	Air intake hose				
24	1			1134-7460-01	Slang	Hose				
25	2			087-510-01	Slangklämma	Hose clamp.....				
26	2			085-018-01	Slangklämma	Hose clamp.....				
27	1			1135-3961-01	Luftrenare kpl	Air cleaner assy.....				
27A	1			1139-2652-01	Luftfilter	Air filter				
27B	1			1139-2663-01	Indikator	Indicator				
28	1			1137-0558-01	Fäste.....	Bracket				
29	2			9959-0816-16	Skruv.....	Screw.....				
30	2			9997-0816-16	Skruv.....	Screw.....				
31	2			9739-0831-22	Mutter	Nut.....				
35	1			1137-0578-01	Avgasrör	Exhaust pipe.....				
36	4			112154220/0	Mutter	Nut.....				
37	1			084-351-01	Rörklämma	Tube clamp.....				
38	1			1137-0576-01	Ljuddämpare.....	Muffler				
39	2			9550-0008-03	Vibrationsdämpare.....	Vibration damper				
40	4			112154220/0	Mutter	Nut.....				
50	1			1135-2751-01	Expansionskärl	Expansion tank.....				
51	1			1135-2818-01	Vattenavskiljare	Water separator				
52	1			1135-2745-01	Bränslepump.....	Fuel pump				
53	1			1139-2510-01	Bränslefilter.....	Fuel filter.....				
54	1			9500-5032-09	Motor kpl.....	Engine assy				



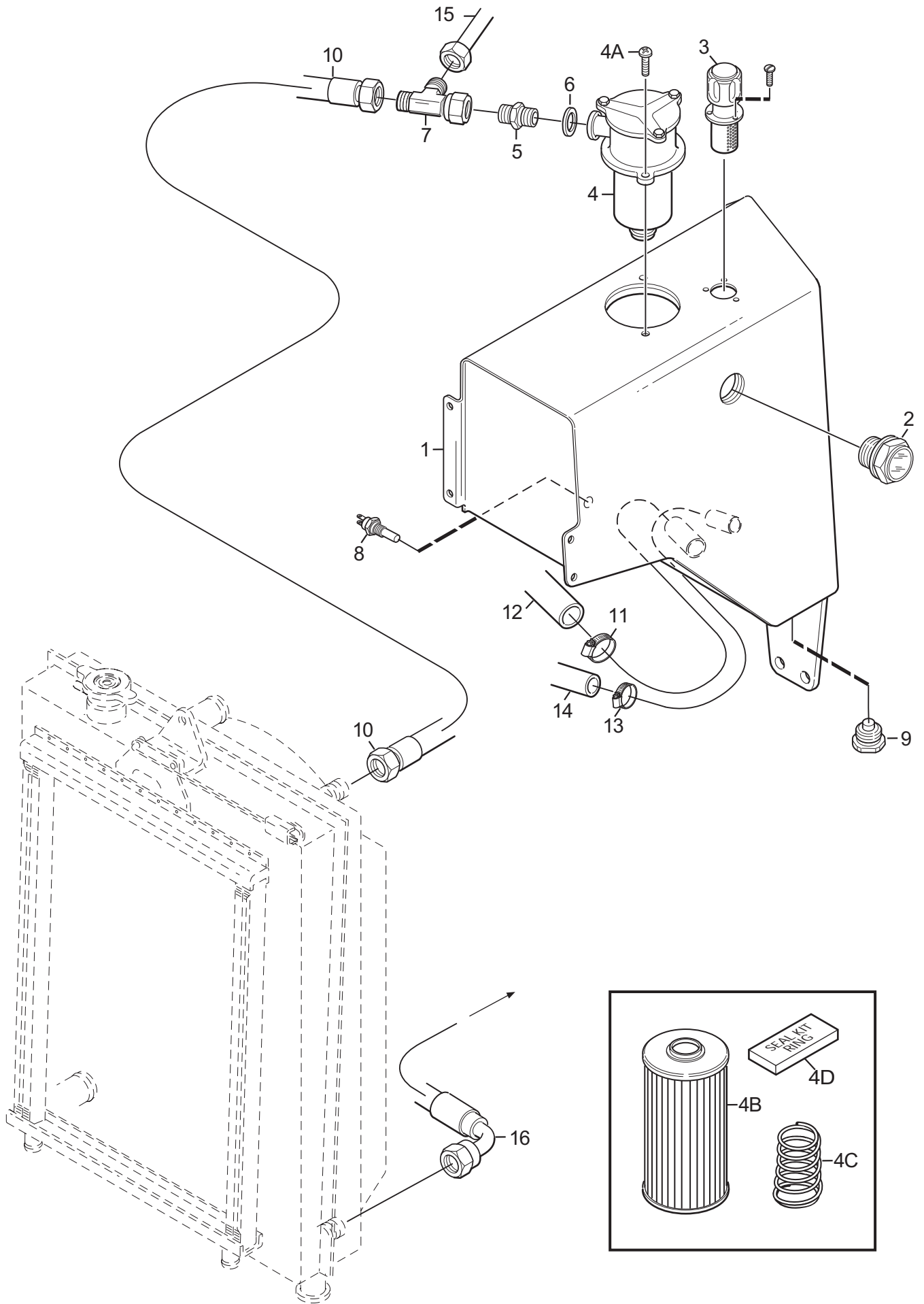
Utgåva Issue		Bildnr Picture No		TITAN HYDROSTATPUMP		HYDRO PUMP		Sida Page	
2015-11		Q-021A						38	
Pos. Fig.	Antal/Quantity				Art nr Part No	Benämning	Description	Sats Kit	Anmärkning Notes
	7454								
1	1				1137-1128-01	Hydraulpump.....	Hydraulic pump		KPS-23 ALPE
2	1				1134-5809-01	Adapter	Hydraulic coupling.....		
3	1				1137-0195-17	Hydraulslang.....	Hydraulic tube.....		
4	1				1137-0772-01	L-koppling	L-Coupling		
5	1				1134-7187-01	Adapter	Hydraulic coupling.....		
6	1				082-043-01	Adapter	Hydraulic coupling.....		
7	1				082-675-01	L-koppling	L-Coupling		
8	1				1137-0195-03	Hydraulslang.....	Hydraulic tube.....		
9	1				1137-0636-01	Hydraulslang.....	Hydraulic tube.....		
10	1				1137-0227-09	Hydraulslang.....	Hydraulic tube.....		
11	2				9997-1035-16	Skruv.....	Screw.....		
12	2				9699-0030-02	Bricka	Washer.....		
13	2				9747-1031-02	Mutter	Nut.....		
14	1				1137-0604-01	Remhjulsdistan.....	Spacer.....		
15	1				9699-0036-02	Bricka	Washer.....		
16	1				9747-1231-02	Mutter	Nut.....		
17	1				1137-0550-01	Remskydd.....	Belt guard.....		
18	3				9959-0616-16	Skruv.....	Screw.....		
19	1				1137-1069-01	Remskiva	Belt pulley		
20	1				1137-0517-01	Pumpfäste	Bracket		
21	1				9585-0222-01	Poly V-rem.....	Poly V-belt		
22	2				9959-1025-16	Skruv.....	Screw.....		
23	2				9739-0820-02	Mutter	Nut.....		
24	1				1137-0634-01	Hydraulslang.....	Hydraulic tube.....		
25	1				1137-0526-01	Spännarm.....	Tension arm.....		
26	1				1137-0529-01	Kuts.....	Block		
27	1				1137-0530-01	Hylsa	Bushing		
28	1				1137-1071-01	Spännrulle.....	Tension roller		
29	1				1137-0532-01	Fäste	Bracket		
30	1				112156602/0	Mutter	Nut.....		
31	1				9997-1065-12	Skruv.....	Screw.....		
32	1				9699-0035-02	Bricka	Mutter.....		
33	1				9747-1031-02	Mutter	Nut.....		
34	1				9544-0023-01	Glidlager	Bearing		
35	1				9544-0023-02	Glidlager	Bearing		
36	3				9997-1225-16	Skruv.....	Screw.....		
37	1				1137-1070-01	Motorremskiva	Engine pulley		
38	1				9939-1213-02	Skruv.....	Screw.....		
39	1				1137-0599-01	Fjäder	Spring.....		
40	1				9939-1231-02	Skruv.....	Screw.....		



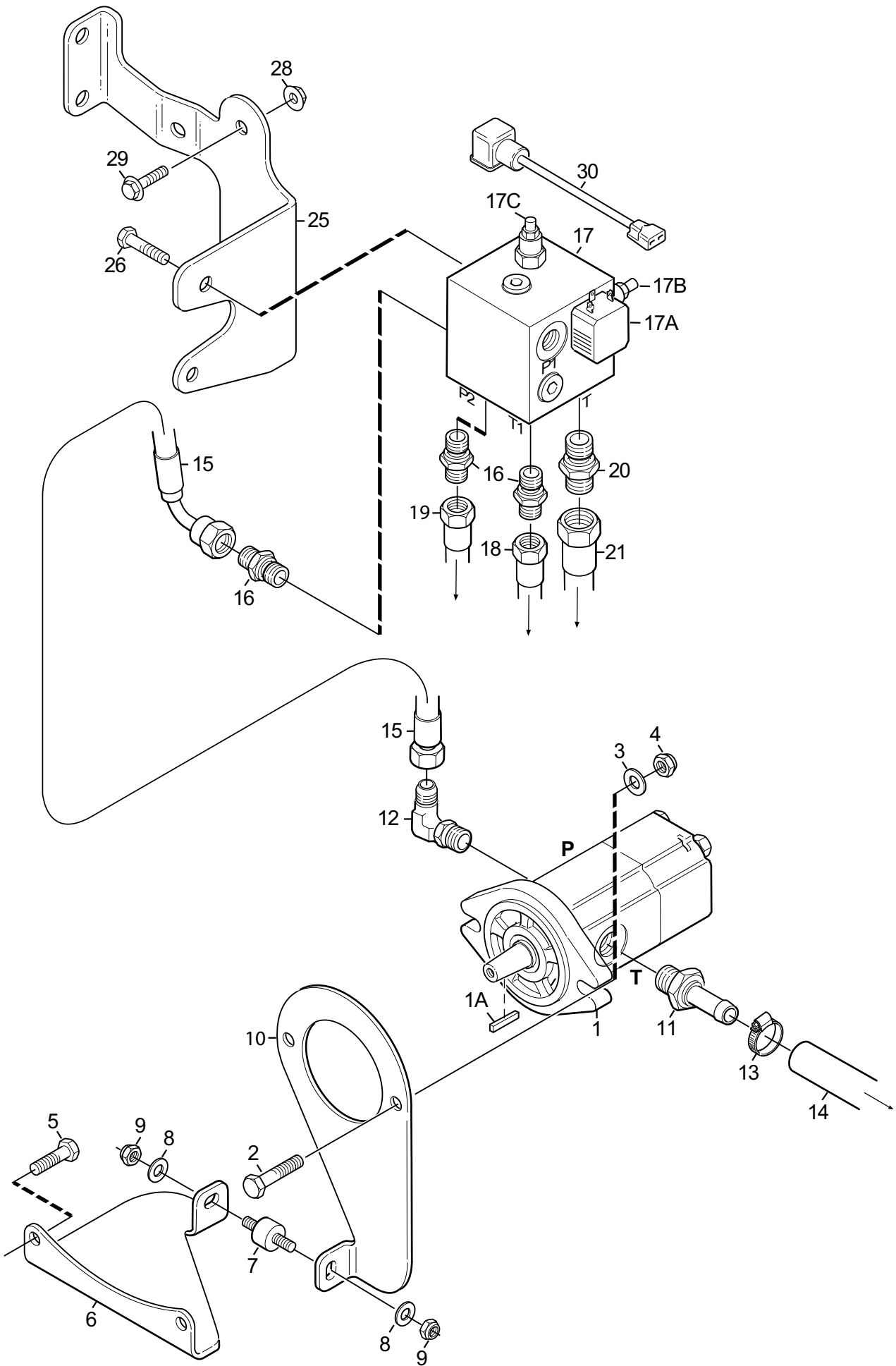
Utgåva Issue 2015-11		Bildnr Picture No Q-022A		TITAN HJULMOTOR-FRAM WHEEL ENGINES-FRONT			Sida Page 40		
Pos. Fig.	Antal/Quantity				Art nr Part No	Benämning	Description	Sats Kit	Anmärkning Notes
	7454								
1	1				1137-0961-01	Hjulmotor	Wheel engine		(without orifice) (with orifice)
2	1				1137-0960-01	Hjulmotor	Wheel engine		
3	8				9939-1213-02	Skruv	Screw		
4	8				9699-0036-02	Bricka	Washer		
5	2				1137-0755-02	Adapter	Hydraulic coupling		
6	1				1137-0633-01	Hydraulslang	Hydraulic tube		
7	2				1137-0755-01	Adapter	Hydraulic coupling		
8	2				1137-0195-14	Hydraulslang	Hydraulic tube		
9	1				1137-0217-03	Hydraulslang	Hydraulic tube		
10	1				1137-0756-01	Adapter	Hydraulic coupling		
11	1				1137-0757-01	L-koppling	L-Coupling		
12	1				1137-0227-09	Hydraulslang	Hydraulic tube		
13	1				1137-0756-04	Adapter	Hydraulic coupling		
14	1				1137-0632-01	Hydraulslang	Hydraulic tube		
15	1				1137-0597-01	Fäste	Bracket		
16	2				9959-0816-16	Skruv	Screw		
17	1				1137-0575-01	Samlingsblock	Collecting block		
18	2				081-461-01	Skruv	Screw		
19	2				9699-0025-02	Bricka	Washer		
20	2				9739-0631-22	Mutter	Nut		
21	3				1134-7156-01	Adapter	Hydraulic coupling		
22	1				1134-7161-01	Adapter	Hydraulic coupling		
23	1				1134-7453-01	Plugg	Plug		
24	1				082-019-01	Adapter	Hydraulic coupling		
25	1				1137-0196-02	Hydraulslang	Hydraulic tube		
26	1				1137-0217-04	Hydraulslang	Hydraulic tube		
27	1				1137-0195-15	Hydraulslang	Hydraulic tube		
30	2				1134-7308-02	Hjul kpl 20"	Wheel assy 20"		
30A	2				9545-0127-02	Däck	Tyre		
30B	2				9545-0500-00	Ventil	Valve		
30C	2				1134-7309-01	Fälg	Rim		
31	2				1134-6971-01	Hjulnav	Hub		
32	2				1134-6996-01	Kil	Key		
33	2				9781-2431-32	Kronmutter	Nut		
34	2				9599-0101-02	Saxpinne	Cotter pin		
35	8				1134-7041-01	Hjulbult	Wheel bolt		
99	1				9545-0211-01	Innerslang	Inner tube		20" Only as spare part



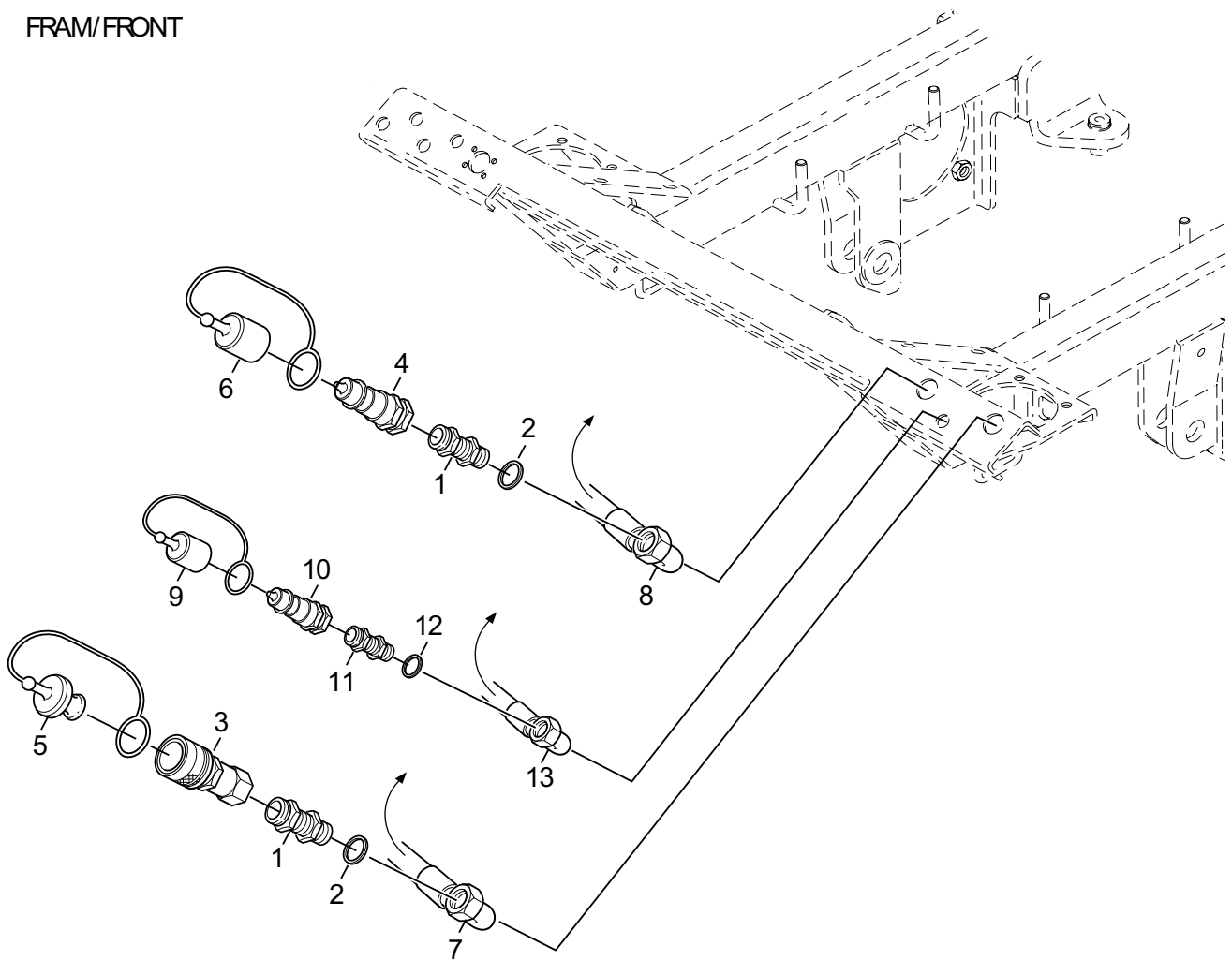
Utgåva Issue		Bildnr Picture No		TITAN HJULMOTOR-BAK		WHEEL ENGINE-REAR		Sida Page	
2015-11		Q-023A						42	
Pos. Fig.	Antal/Quantity				Art nr Part No	Benämning	Description	Sats Kit	Anmärkning Notes
	7454								
1	1				1137-0961-01	Hjulmotor	Wheel engine		(without orifice)
2	1				1137-0960-01	Hjulmotor	Wheel engine		(with orifice)
3	8				9939-1213-02	Skruv	Screw		
4	8				9699-0036-02	Bricka	Washer		
5	3				1137-0756-04	Adapter	Hydraulic coupling		
6	3				1137-0755-01	Adapter	Hydraulic coupling		
7	1				1137-0196-06	Hydraulslang	Hydraulic tube		
8	1				1137-0756-01	Adapter	Hydraulic coupling		
9	1				1137-0757-01	L-koppling	L-Coupling		
10	1				1137-0218-12	Hydraulslang	Hydraulic tube		
11	1				1137-0634-01	Hydraulslang	Hydraulic tube		
12	1				1137-0195-14	Hydraulslang	Hydraulic tube		
13	1				1137-0633-01	Hydraulslang	Hydraulic tube		
14	1				1137-0756-02	Adapter	Hydraulic coupling		
15	1				1137-0195-16	Hydraulslang	Hydraulic tube		
16	1				1137-0632-01	Hydraulslang	Hydraulic tube		
17	1				1137-0555-01	Fäste	Bracket		
18	2				9893-0616-16	Skruv	Screw		
19	1				1137-0574-01	Samlingsblock	Collecting block		
20	2				081-461-01	Skruv	Screw		
21	2				9699-0025-02	Bricka	Washer		
22	2				9739-0631-22	Mutter	Nut		
23	1				1134-7073-01	Vinkeladapter	Angle coupling		
24	2				1134-7156-01	Adapter	Hydraulic coupling		
25	1				084-343-01	Vinkeladapter	Angle coupling		
26	1				1137-0806-01	Adapter	Hydraulic coupling		
27	1				1134-7161-01	Adapter	Hydraulic coupling		
28	1				1137-0594-01	Hydraulrör	Hydraulic pipe		
29	1				1137-0232-03	Hydraulslang	Hydraulic tube		
30	2				1134-7308-02	Hjul kpl 20"	Wheel assy 20"		
30A	2				9545-0127-02	Däck	Tyre		
30B	2				9545-0500-00	Ventil	Valve		
30C	2				1134-7309-01	Fälg	Rim		
31	2				1134-6971-01	Hjulnav	Hub		
32	2				1134-6996-01	Kil	Key		
33	2				9781-2431-32	Kronmutter	Nut		
34	2				9599-0101-02	Saxpinne	Cotter pin		
35	8				1134-7041-01	Hjulbult	Wheel bolt		
40	1				1137-0195-17	Hydraulslang	Hydraulic tube		
41	1				1137-0217-04	Hydraulslang	Hydraulic tube		
99	1				9545-0211-01	Innerslang	Inner tube		20" Only as spare part



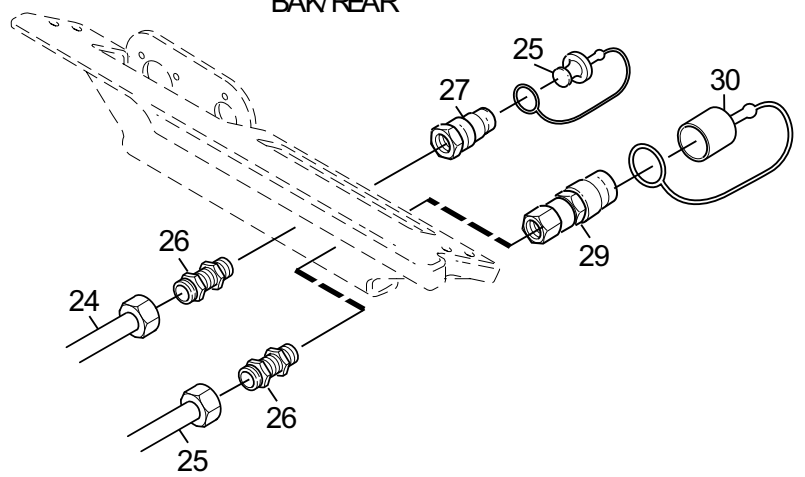
Utgåva Issue		Bildnr Picture No		TITAN OLJETANK			OIL TANK		Sida Page	
2015-11		Q-024A							44	
Pos. Fig.	Antal/Quantity				Art nr Part No	Benämning	Description	Sats Kit	Anmärkning Notes	
	7454									
1	1			1137-0485-01	Hydrauloljetank	Oil tank.....		(10 my paper)		
2	1			1137-7379-02	Nivåöga.....	Level eye.....				
3	1			1135-3965-01	Tankventilationsfilter	Tank ventilation.....				
4	1			084-297-01	Returöljefilter	Oil filter-return.....				
4A	2			9939-0820-16	Skruv.....	Screw.....				
4B	1			084-479-01	Filterinsats	Filter element				
4C	1			1139-2087-01	Fjäder.....	Spring				
4D	1			1139-2068-01	O-ringsats	Seal kit				
5	1			084-983-01	Adapter	Hydraulic coupling.....				
6	1			1134-4948-01	Tredobricka.....	Seal washer				
7	1			1137-0807-01	L-koppling	L-Coupling				
8	1			084-459-02	Temperaturgivare.....	Temp. Sensor.....				
9	1			1135-2936-02	Magnetplugg.....	Magnet plug				
10	1			1137-0224-04	Hydraulslang.....	Hydraulic tube.....				
11	1			085-520-01	Slangklämma	Hose clamp.....				
12	1			1134-7152-02	Hydraulslang.....	Hydraulic tube.....				
13	1			9578-0031-01	Slangklämma	Hose clamp.....				
14	1			1137-0636-01	Hydraulslang.....	Hydraulic tube.....				
15	1			1137-0594-01	Hydraulrör	Hydraulic pipe.....				
16	1			1137-0633-02	Hydraulslang.....	Hydraulic tube.....				



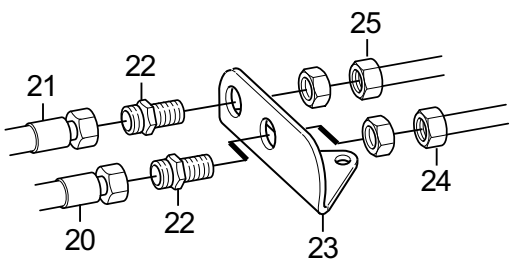
FRAM/FRONT



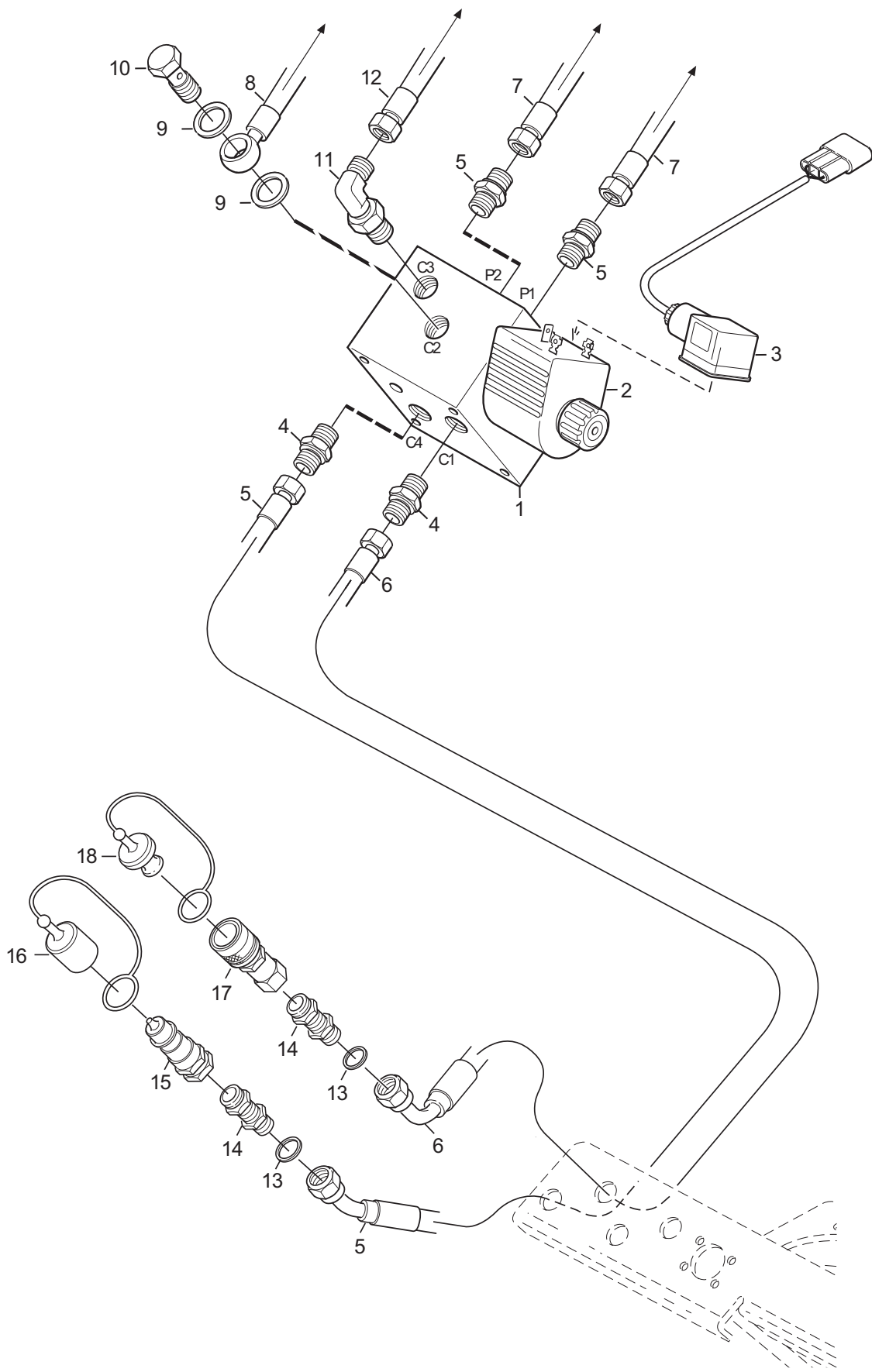
BAK/REAR



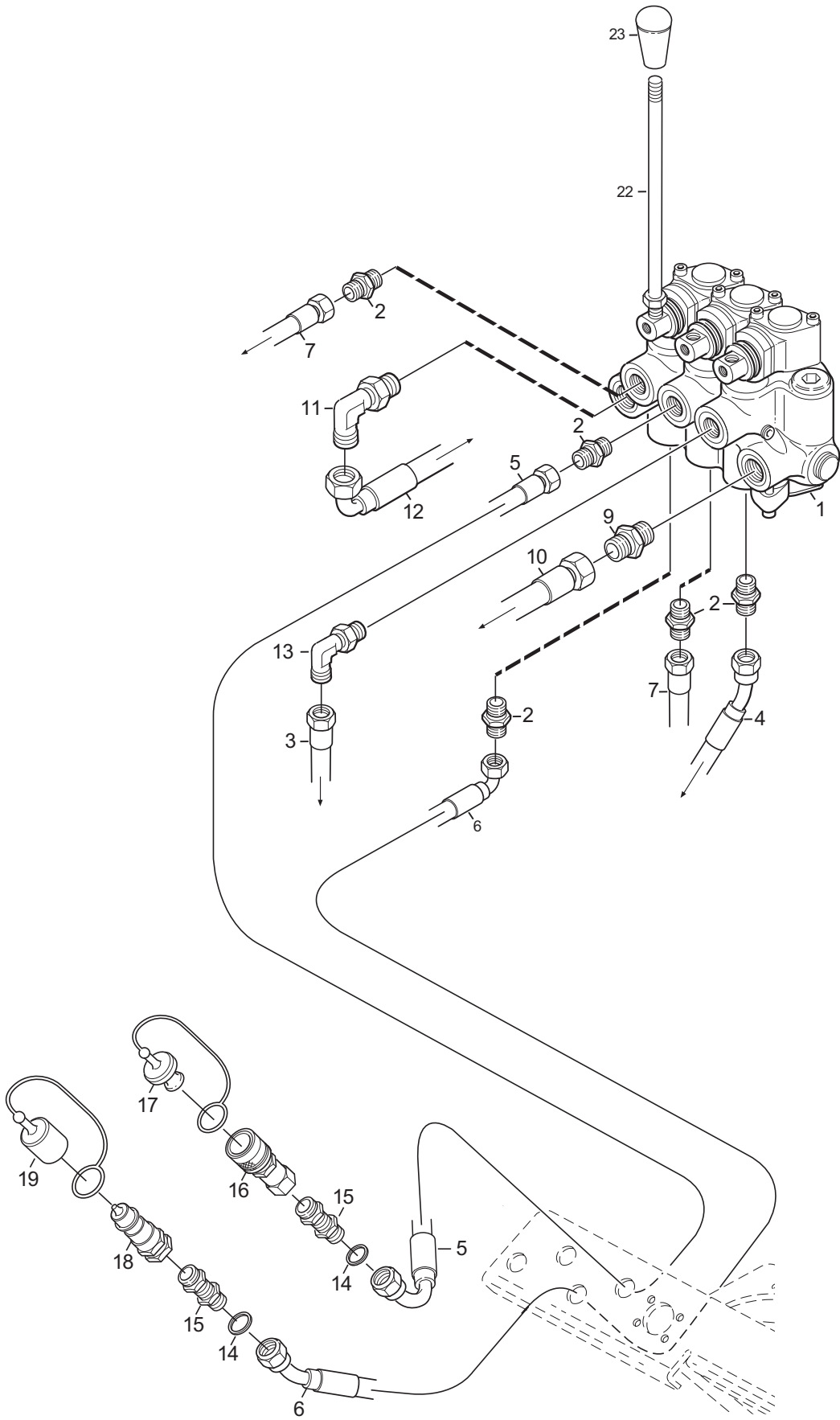
BAK/FRONT



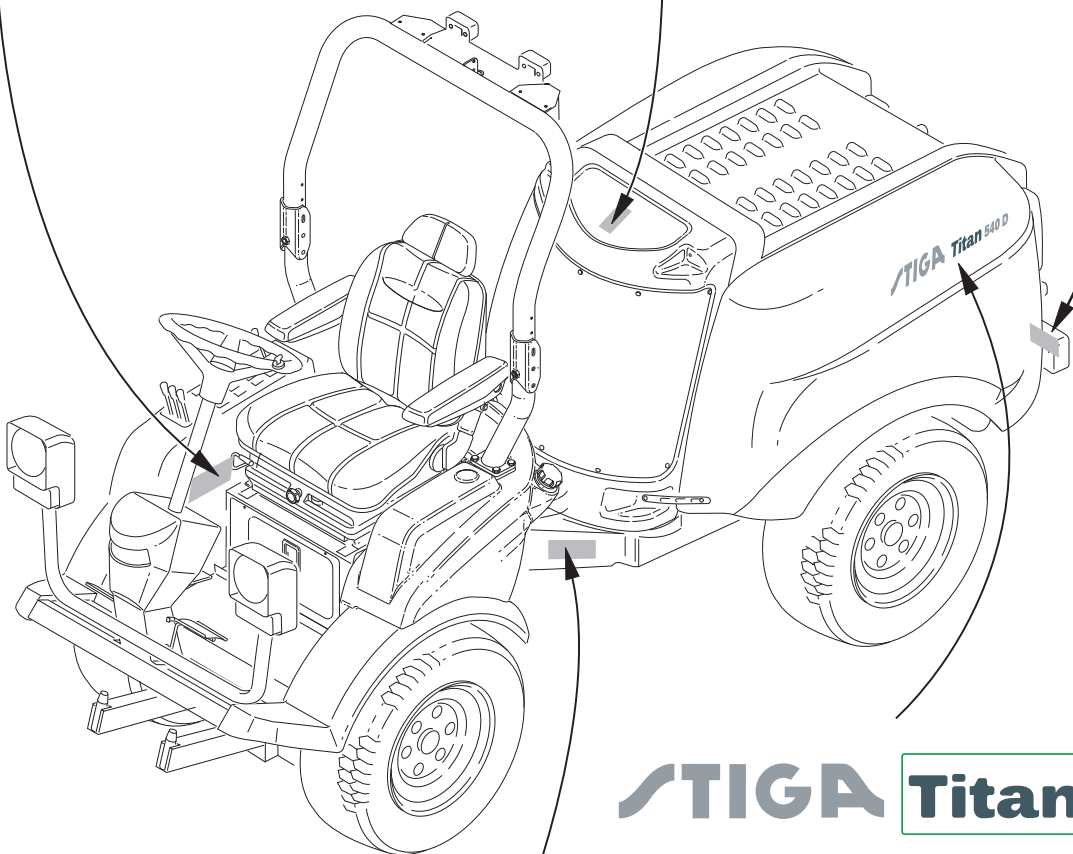
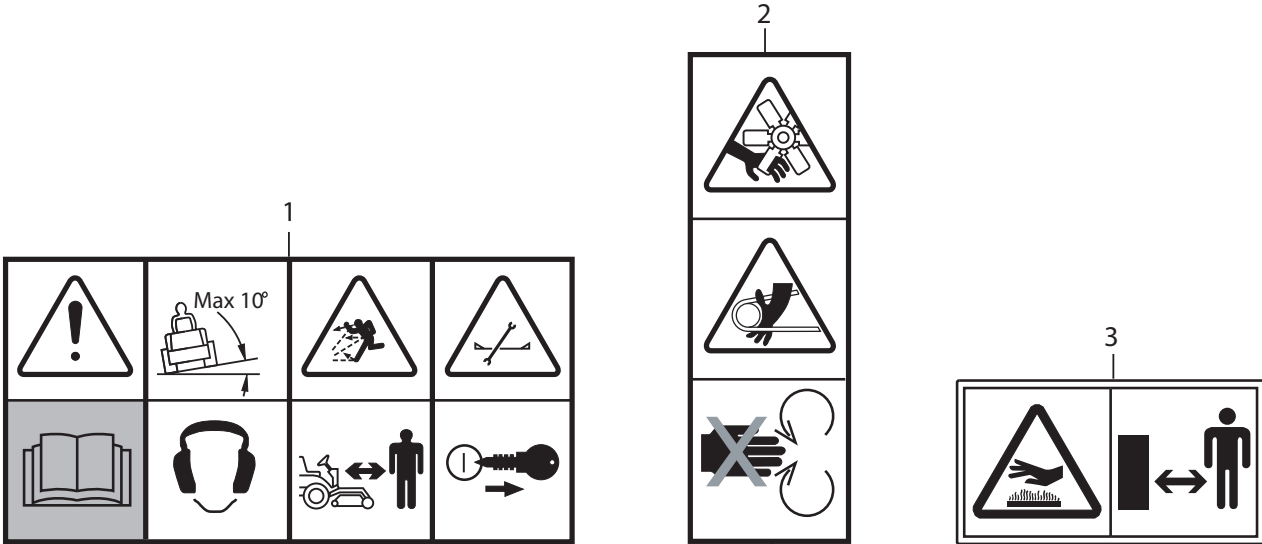
Utgåva Issue 2015-11		Bildnr Picture No Q-026		TITAN PTO OCH REDSKAPSKONTROLL		PTO AND IMPLEMENT CONTROL		Sida Page 48	
Pos. Fig.	Antal/Quantity				Art nr Part No	Benämning	Description	Sats Kit	Anmärkning Notes
	7454								
1	2				1134-7180-01	Skottgenomgång	Hydraulic coupling.....		
2	2				1134-4948-03	Tredobricka.....	Seal washer		
3	1				1134-7182-01	Snabbkoppling-hona	Quick coupling-female.....		
4	1				1134-7181-01	Snabbkoppling-hane	Quick coupling-male.....		
5	1				1134-7184-01	Plastpropp	Plastic plug		
6	1				1134-7185-01	Plasthätta.....	Plastic cap		
7	1				1137-0218-14	Hydraulslang	Hydraulic tube.....		
8	1				1137-0218-13	Hydraulslang	Hydraulic tube.....		
9	1				1134-7175-01	Dammskydd.....	Dust protection.....		
10	1				1134-6042-01	Snabbkoppling-hane	Quick coupling-male.....		
11	1				1134-7296-01	Skottgenomgång	Hydraulic coupling.....		
12	1				1134-4948-01	Tredobricka.....	Seal washer		
13	1				1137-0232-03	Hydraulslang	Hydraulic tube.....		
20	1				1137-0631-01	Hydraulslang	Hydraulic hose		
21	1				1137-0184-06	Hydraulslang	Hydraulic hose		
22	1				1137-0774-01	Skottgenomgång	Hydraulic coupling.....		
23	1				1137-0562-01	Fäste.....	Bracket		
24	1				1137-0595-01	Hydraulrör	Hydraulic pipe.....		
25	1				1137-0596-01	Hydraulrör	Hydraulic pipe.....		
26	2				1137-0773-01	Skottgenomgång	Hydraulic coupling.....		
27	1				1134-6042-01	Snabbkoppling-hane	Quick coupling-male.....		
28	1				1134-7175-01	Dammskydd	Dust protection.....		
29	1				1134-7172-01	Snabbkoppling-hona.....	Quick coupling-female.....		
30	1				1134-7173-01	Dammskydd.....	Dust protection.....		



Utgåva Issue		Bildnr Picture No		TITAN VÄLJARVENTIL			SELECTOR VALVE		Sida Page	
2015-11		Q-027							50	
Pos. Fig.	Antal/Quantity				Art nr Part No	Benämning	Description	Sats Kit	Anmärkning Notes	
	7460									
1	1				1135-2538-01	Väljarventil	Selector valve.....			
2	1				1139-2097-01	Magnetventil.....	Magnet valve.....			
3	1				1137-0903-01	Kablage.....	Harness.....			
4	4				1134-7165-01	Adapter	Hydraulic coupling.....			
5	1				1137-0186-04	Hydraulslang.....	Hydraulic hose			
6	1				1137-0186-05	Hydraulslang.....	Hydraulic hose			
7	2				1137-0185-20	Hydraulslang.....	Hydraulic hose			
8	1				1137-0631-01	Hydraulslang.....	Hydraulic hose			
9	2				1134-4948-01	Tredobricka.....	Seal washer			
10	1				1135-2704-01	Banjoskruv.....	Banjo bolt.....			
11	1				1135-2703-01	Vinkelkoppling	Angle bolt.....			
12	1				1137-0184-06	Hydraulslang.....	Hydraulic hose			
13	2				1134-4948-01	Tredobricka.....	Seal washer			
14	2				1134-7296-01	Skottgenomgång	Hydraulic coupling.....			
15	1				1134-7172-01	Snabbkoppling-hona.....	Quick coupling-female.....			
16	1				1134-7173-01	Dammskydd.....	Dust protection.....			
17	1				1134-6042-01	Snabbkoppling-hane.....	Quick coupling-male.....			
18	1				1134-7175-01	Dammskydd.....	Dust protection.....			



Utgåva Issue		Bildnr Picture No		TITAN HANDSPAKSVENTIL		HYDRAULIC VALVE		Sida Page	
2015-11		Q-028A						52	
Pos. Fig.	Antal/Quantity				Art nr Part No	Benämning	Description	Sats Kit	Anmärkning Notes
	7454								
1	1				1137-0641-01 Handspaksventil	Hydraulic valve.....			
2	4				1134-7165-01 Adapter	Hydraulic coupling.....			
3	1				1137-0195-15 Hydraulslang.....	Hydraulic tube.....			
4	1				1137-0196-09 Hydraulslang.....	Hydraulic tube.....			
5	2				1137-0186-06 Hydraulslang.....	Hydraulic tube.....			
6	2				1137-0187-04 Hydraulslang.....	Hydraulic tube.....			
7	2				1137-0185-20 Hydraulslang.....	Hydraulic tube.....			
9	1				1134-7156-01 Adapter	Hydraulic coupling.....			
10	1				1137-0196-05 Hydraulslang.....	Hydraulic tube.....			
11	1				1134-7073-01 Vinkeladapter.....	Angle coupling.....			
12	1				1137-0195-15 Hydraulslang.....	Hydraulic tube.....			
13	1				1135-2906-01 Vinkelstrypnippel	Angle coupling.....			
14	4				1134-4948-01 Tredobricka.....	Seal washer			
15	4				1134-7296-01 Skottgenomgång	Hydraulic coupling.....			
16	2				1134-7172-01 Snabbkoppling-hona	Quick coupling-female.....			
17	2				1134-7173-01 Dammskydd.....	Dust protection.....			
18	2				1134-6042-01 Snabbkoppling-hane	Quick coupling-male.....			
19	2				1134-7175-01 Dammskydd.....	Dust protection.....			



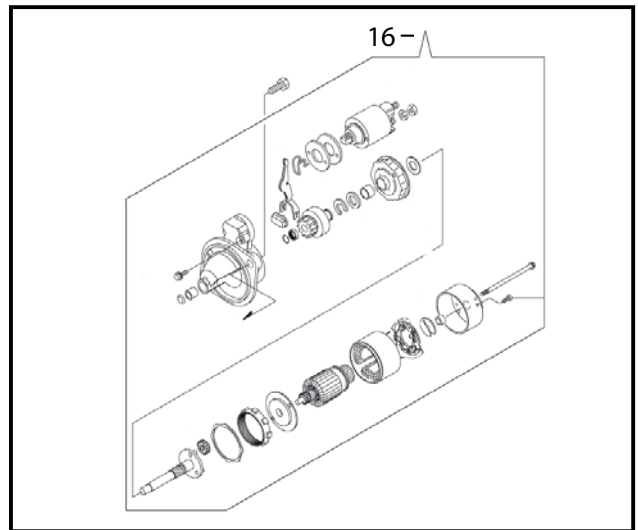
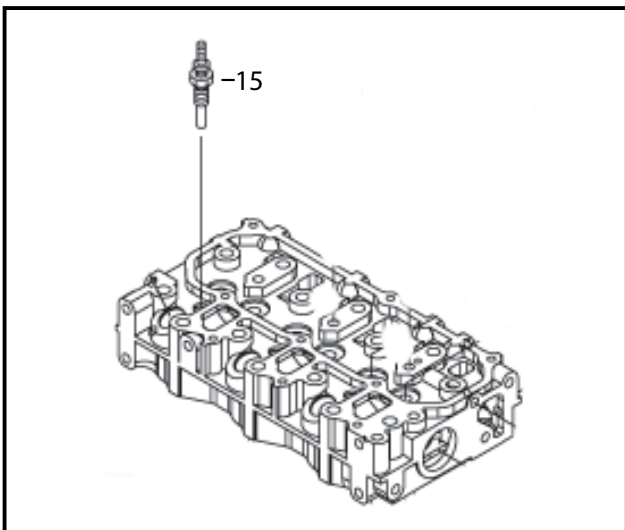
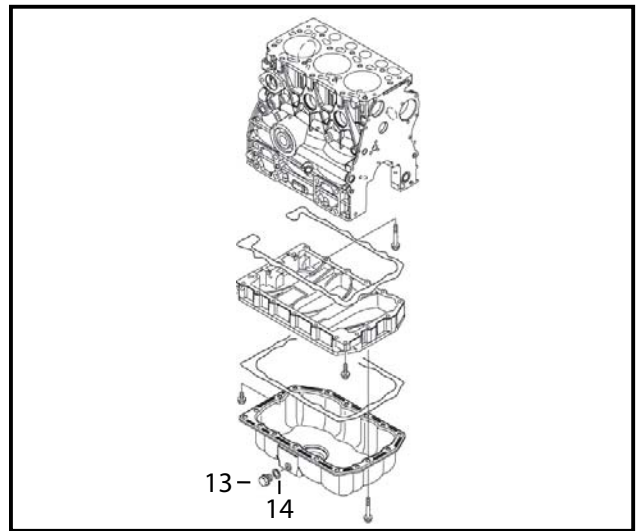
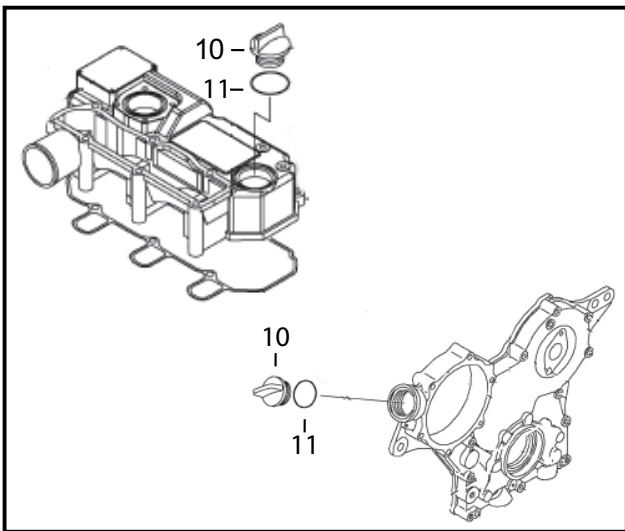
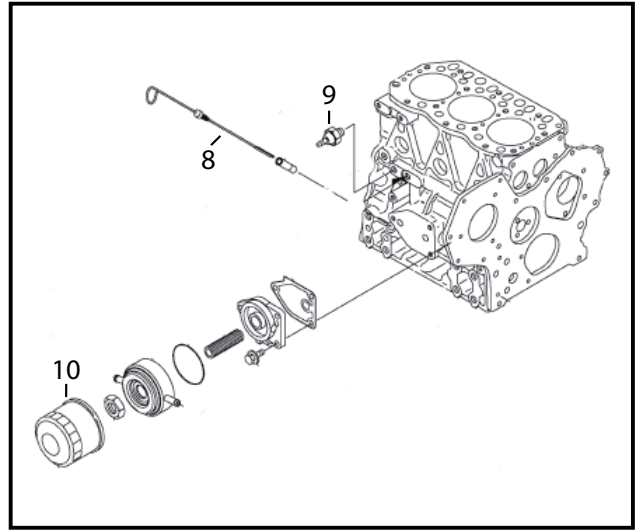
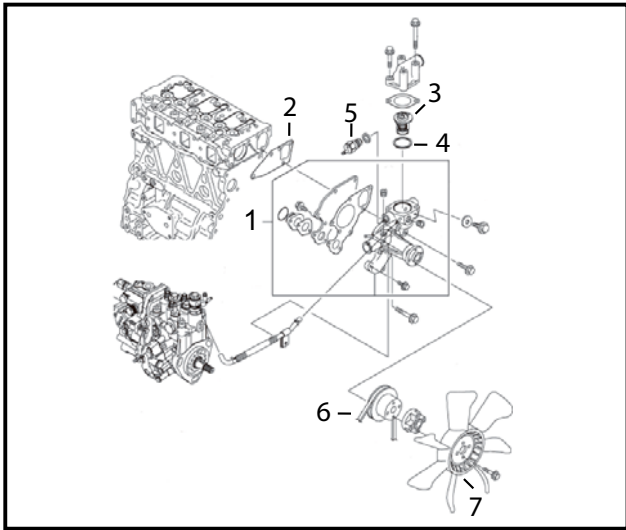
STIGA Titan 740 D

4, 5

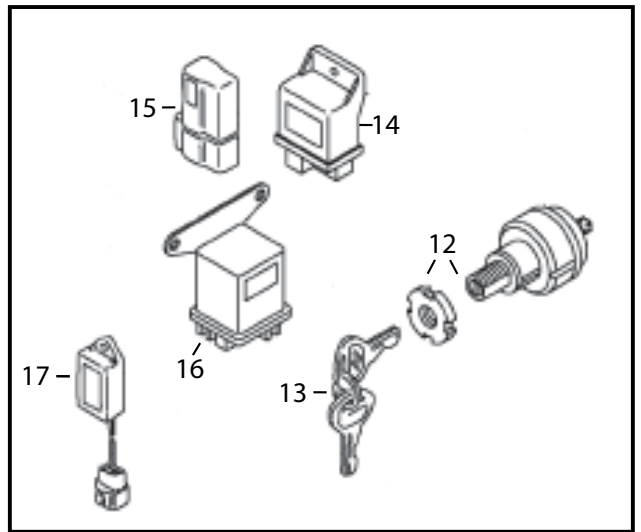
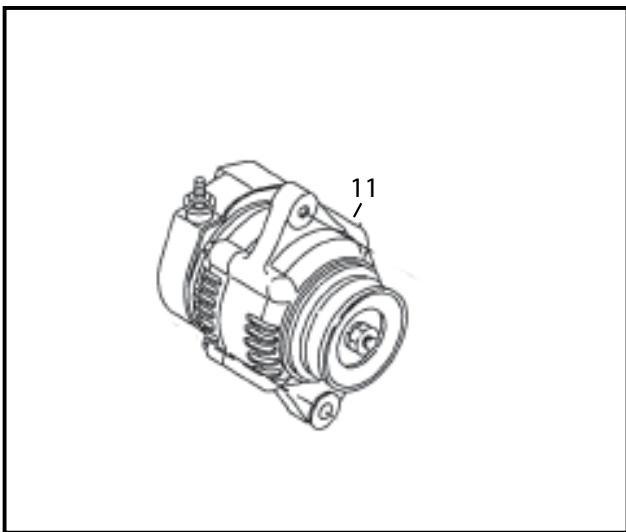
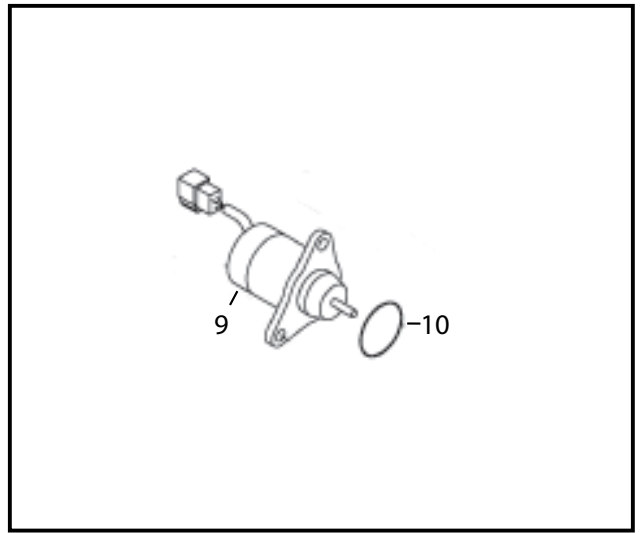
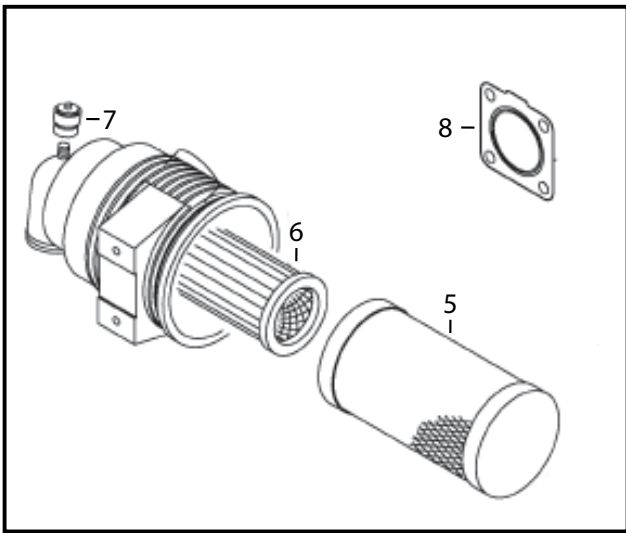
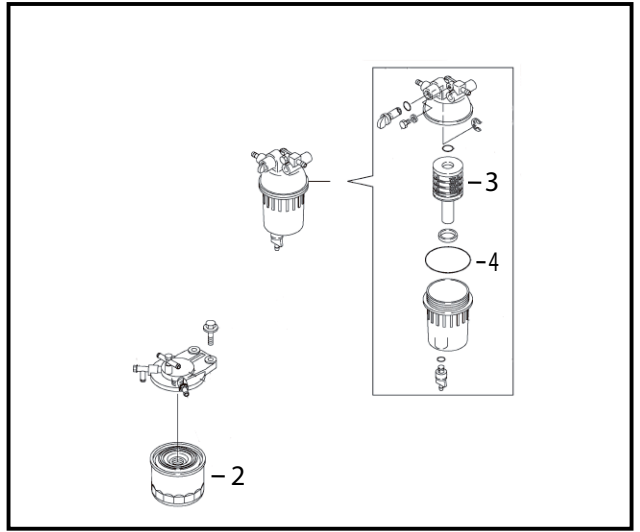
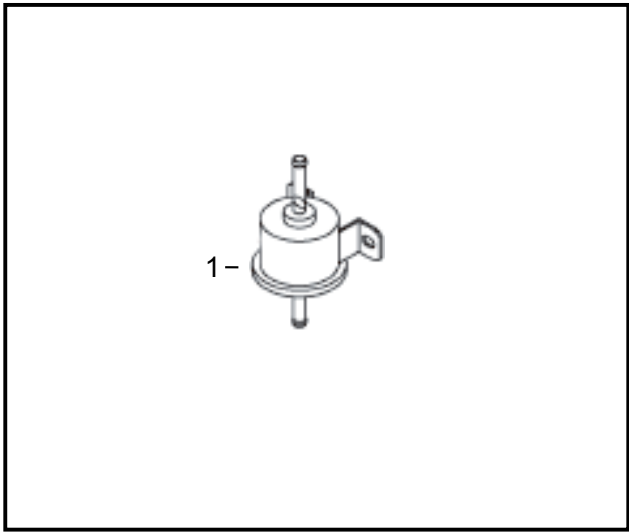


6

Utgåva Issue		Bildnr Picture No		TITAN DEKALER			LABELS		Sida Page	
2015-11		Q-040							54	
Pos. Fig.	Antal/Quantity				Art nr Part No	Benämning	Description	Sats Kit	Anmärkning Notes	
	7454									
1	1			9402-3769-01	Varningsdekal, allmän	Label, general warning.....				
2	1			9402-3773-01	Varningsdekal, fläkt & rem	Label, fan & belt warning ..				
3	1			114364961/3	Varningsdekal, värme	Label, heat warning.....				
4	2			114367494/2	Dekal, Stiga	Label, Stiga				
5	2			114368535/0	Huvdekal Titan 740D	Hood label Titan 740D.....				
6	1			081-131-01	Varningsdekal, klämrisk	Label, chrushing.....				

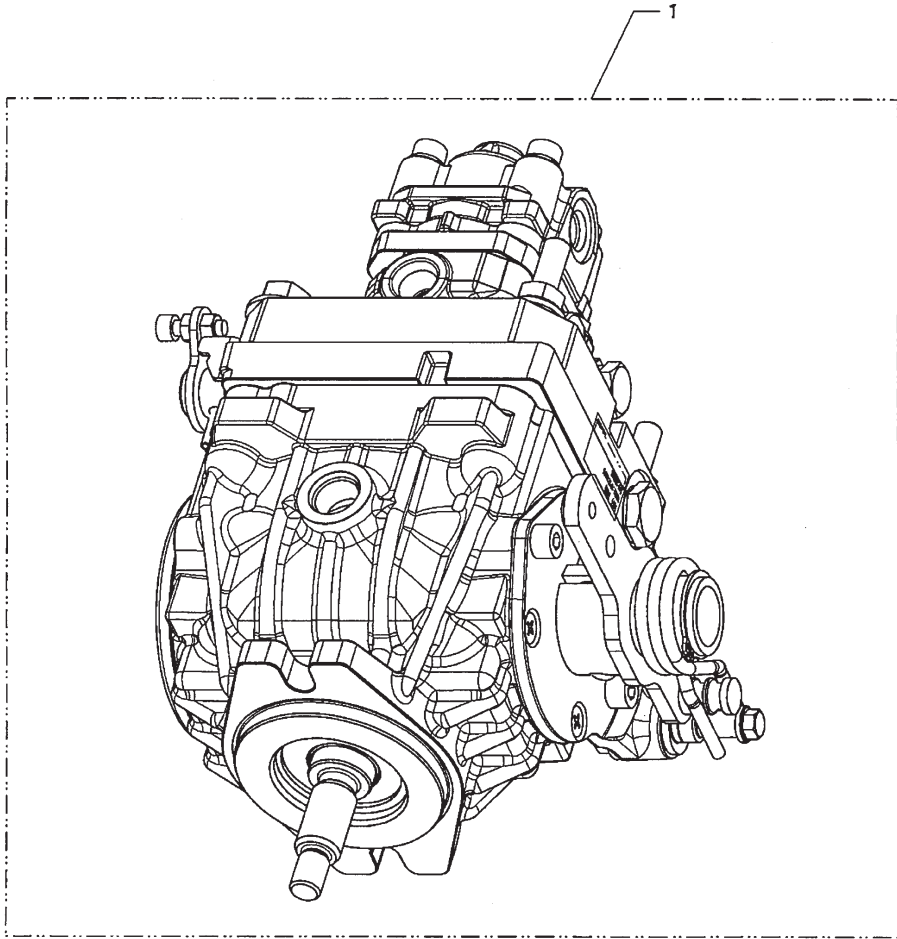


Utgåva Issue 2009-16		Bildnr Picture No 2746		YANMAR 3TNV82 TITAN 32		YANMAR 3TNV82 TITAN 32		Sida Page 62	
Pos. Fig.	Antal/Quantity				Art nr Part No	Benämning	Description	Sats Kit	Anmärkning Notes
1	1				1139-2626-01	Kylsystem	Cooling system.....		
2	1				1139-2641-01	Vattenpump.....	Water pump		
3	1				1139-2640-01	Packning	Gasket		
4	1				1139-2643-01	Termostat	Thermostat		
5	1				1139-2630-01	Packning	Gasket		
6	1				1139-2630-01	Vattentemp.givare.....	Water temp sensor.....		
7	1				1139-2642-01	Fläktrem.....	Fan belt.....		
					1139-2645-01	Fläkt.....	Fan.....		
8	1				1139-2625-01	Oljesystem	Oil system		
9	1				1139-2609-01	Oljesticka.....	Dipstick oil.....		
10	1				1139-2635-01	Oljetrycksgivare	Oil pressure switch.....		
					1139-2635-01	Oljefilter	Oil filter.....		
11	2				1139-2631-01	Lock oljepåfyllning	Cover oil filler.....		
12	2				1139-2648-01	Lock oljepåfyllning	Cover oil filler.....		
					1139-2648-01	O-ring	O-ring		
13	1				1139-2617-01	Ojedränring	Oil sump.....		
14	1				1139-2646-01	Avtappningsplugg	Drain plug		
					1139-2646-01	Bricka avtappningsplugg....	Washer drain plug		
15	1				1139-2633-01	Glödstift	Glow plug.....		
					1139-2633-01	Glödstift	Glow plug.....		
16	1				1139-2638-01	Startmotor	Starter		
					1139-2638-01	Startmotor	Starter		

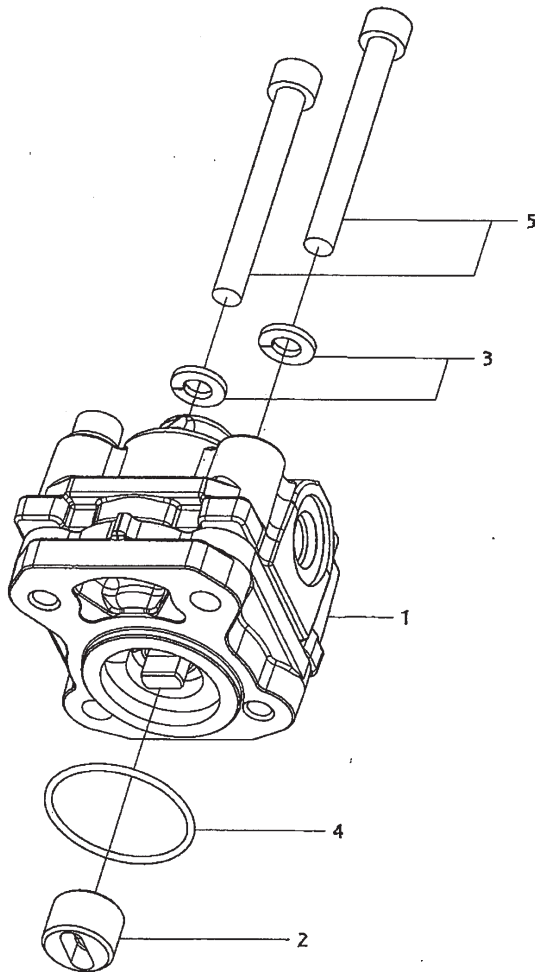


Utgåva Issue 2009-16		Bildnr Picture No 2747		YANMAR 3TNV82 TITAN 32		YANMAR 3TNV82 TITAN 32		Sida Page 64	
Pos. Fig.	Antal/Quantity				Art nr Part No	Benämning	Description	Sats Kit	Anmärkning Notes
1	1				1135-2745-01	Bränsleinsprutning..... Bränslepump.....	Fuel injektion Fuel feed pump		
2	1				1139-2627-01	Bränslefilter	Fuel filter.....		
3	1				1139-2637-01	Bränslefilter	Fuel filter.....		
4	1				1139-2637-01	Filter	Water separator filter.....		
					1139-2649-01	O-ring	O-ring		
5	1				1139-2506-01	Luftfilter	Luftfilter		
6	1				1139-2507-01	Luftfilter yttre	Luftfilter outer.....		
7	1				1139-2507-01	Luftfilter inre	Luftfilter inner.....		
8	1				1139-2632-01	Indikator	Indicator		
					1139-2611-01	Ljuddämparpackning	Muffler gasket		
9	1				1139-2618-01	Stopsolenoid	Solenoid stop.....		
10	1				1139-2618-01	Stopsolenoid	Solenoid stop.....		
					1139-2644-01	O-ring	O-ring		
11	1				1139-2616-01	Generator	Generator.....		
					1139-2616-01	Generator	Generator.....		
12	1				1135-2754-01	Generator	Generator.....		
13	1				1135-2754-01	Tändningslås.....	Start switch.....		
14	1				1139-2505-01	Startnyckel	Starter key		
15	1				1135-2753-01	Säkerhetsrelä.....	Relay-safety		
16	1				1135-2747-01	Diod	Diode.....		
17	1				1135-2748-01	Relä-bränsleventil.....	Relay-fuel valve.....		
					1135-2749-01	Timer	Timer		

A



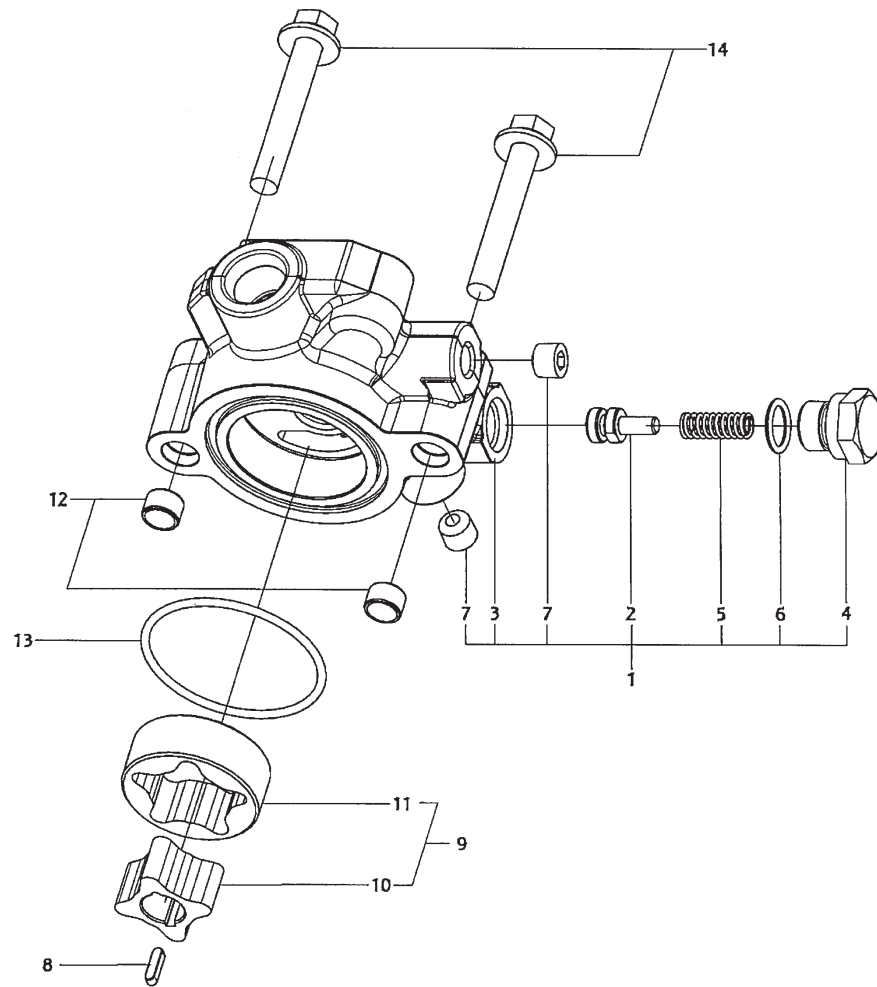
B



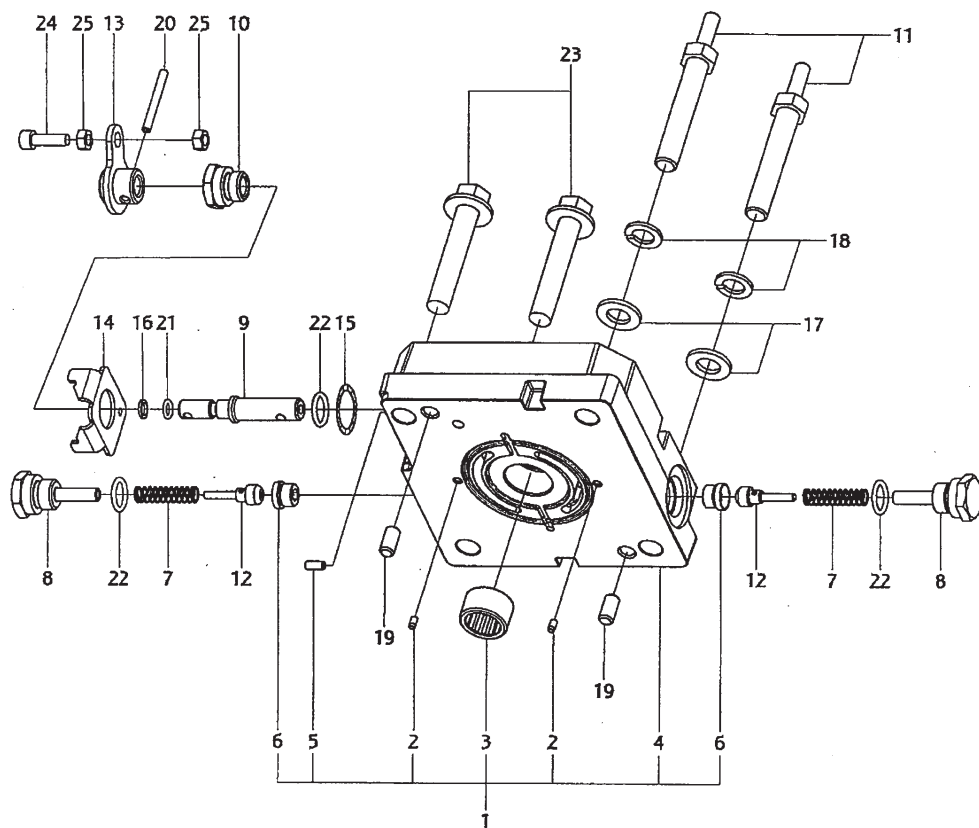


Utgåva Issue		Bildnr Picture No		KANZAKI HYDRAULPUMP KPS-23ALPH PUMP KPL-DREVPUMP		KANZAKI HYDRAULIC PUMP KPS-23ALPH PUMP UNIT-GEAR PUMP		Sida Page	
2015-11		BL1052						2	
Pos. Fig.	Antal/Quantity				Art nr Part No	Benämning	Description	Sats Kit	Anmärkning Notes
	KPS -23 ALPH								
X A01	1				1137-1128-01	Hydraulpump.....	Hydraulic pump		KPS-23ALPH 8x85
X B01	1				1139-1754-01	Pump.....	Pump		
B02	1				1139-1539-01	Koppling.....	Coupling.....		
B03	2				1139-1573-01	Bricka	Washer.....		
B04	1				1139-1581-01	Packning	Packing.....		
B05	2				1139-1755-01	Skruv.....	Bolt.....		

A

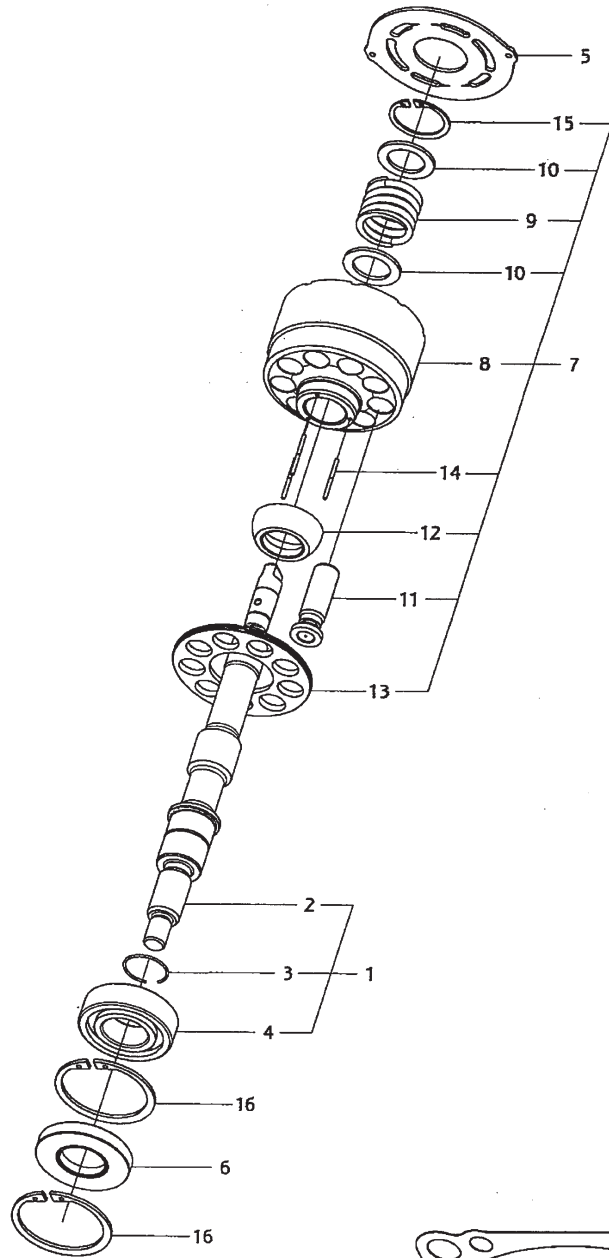


B

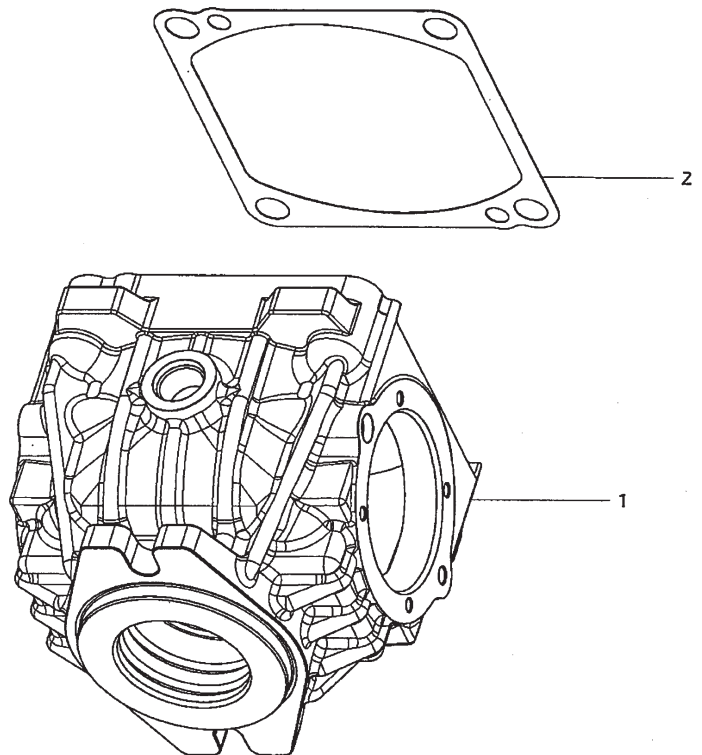


Utgåva Issue		Bildnr Picture No		KANZAKI HYDRAULPUMP KPS-23ALPH MATARPUMP-CENTRUMHUS		KANZAKI HYDRAULIC PUMP KPS-23ALPH CHARGE PUMP-CENT CASE		Sida Page	
2015-11		BL1053						4	
Pos. Fig.	Antal/Quantity				Art nr Part No	Benämning	Description	Sats Kit	Anmärkning Notes
	KPS -23 ALPH								
A01	1				1139-1709-01	Pumphus A kpl	Pump body A assy		Inkl. pos 2-7
A02	1				1139-1571-01	• Ventil.....	• Relief valve		
A03	1				1139-1710-01	• Pumphus A	• Pump body A		
A04	1				1139-1546-01	• Plugg.....	• Plug		
A05	1				1139-1570-01	• Fjäder.....	• Spring		
A06	1				1139-1168-01	• Packning	• Packing.....		
A07	2				1139-1107-01	• Plugg.....	• Plug		
A08	1				1139-1693-01	Kil	Key		
A09	1				1139-1694-01	Rotor kpl (6 cc/rev)	Rotor set (6 cc/rev).....		Inkl. pos 10-11
A12	2				1139-1166-01	Tapp	Pin		
A13	1				1139-1683-01	Packning	Packing.....		
A14	2				1139-1715-01	Bult	Bolt.....		
B01	1				1139-1706-01	Centrumhus kpl	Center case assy		Inkl. pos 2-6
B02	2				1139-1058-01	• Stift	• Knock pin		
B05	1				1139-1394-01	• Stift	• Pin		
B07	2				1139-1547-01	Fjäder.....	Spring (suction).....		
B08	2				1139-1548-01	Plugg.....	Check plug		
B09	1				1139-1549-01	Axel	Bypass pin.....		
B10	1				1139-1371-01	Adapter	By-pass adapter.....		
B11	2				1135-3987-01	Bult	Bolt.....		M12x70-M12x25
B12	2				1139-1368-01	Ventil.....	Check valve F		
B13	1				1139-1372-01	By-pass arm.....	By-pass lever.....		
B14	1				1139-1373-01	Plåt	By-pass plate		
B15	1				1139-1522-01	Vågbricka	Wave washer		
B16	1				1139-1387-01	Ring	Back-up ring.....		
B17	2				1139-1102-01	Bricka	Washer.....		
B18	2				1139-1679-01	Bricka	Washer.....		
B19	2				1139-1496-01	Pinne.....	Parallell pin		
B20	1				1139-1395-01	Stift	Pin		
B21	1				1139-1112-01	O-ring	O-ring.....		
B22	3				1139-1115-01	O-ring	O-ring.....		
B23	2				1139-1687-01	Bult	Bolt.....		
B24	1				1139-1585-01	Skruv.....	Bolt.....		
B25	2				1139-0247-01	Mutter	Nut.....		

A

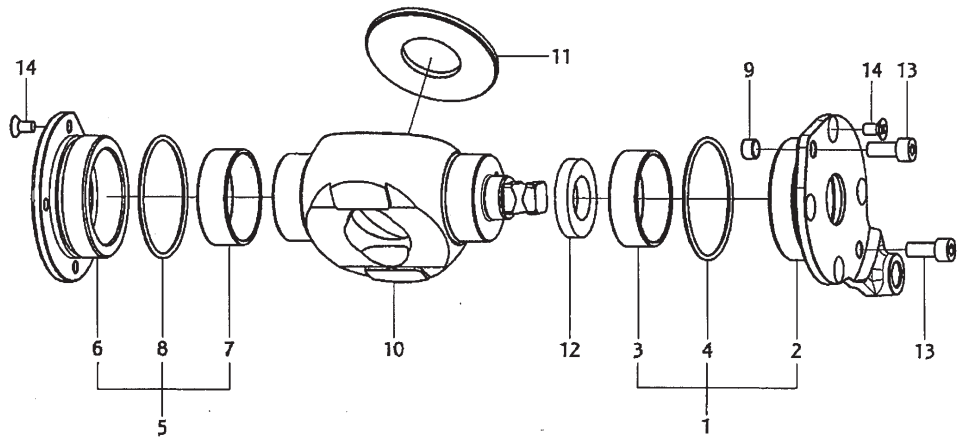


B

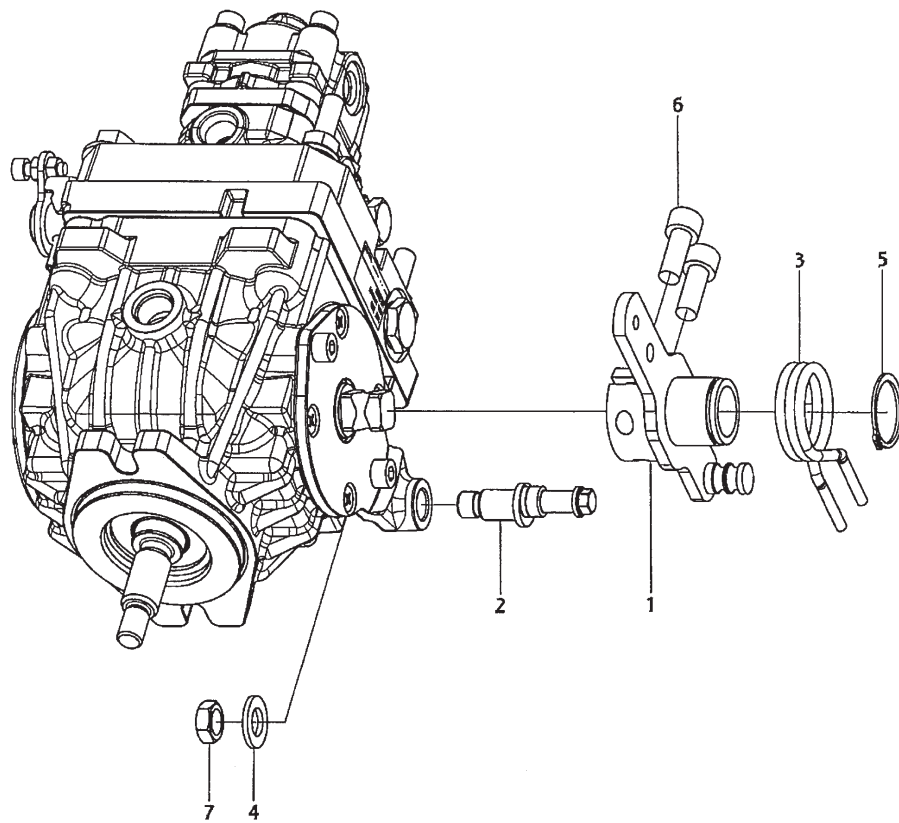


Utgåva Issue		Bildnr Picture No		KANZAKI HYDRAULPUMP KPS-23ALPH PUMP-HUS		KANZAKI HYDRAULIC PUMP KPS-23ALPH PUMP ASSY-HOUSING		Sida Page	
2015-72		BL1022						6	
Pos. Fig.	Antal/Quantity				Art nr Part No	Benämning	Description	Sats Kit	Anmärkning Notes
	KPS -23 ALPH								
A01	1				1139-1707-01	Pumpaxel kpl	Pump shaft assy.....		Inkl. pos 2-4
A02	1				1139-1708-01	• Pumpaxel	• Pump shaft.....		
A03	1				1139-1653-01	• Ring	• Ring.....		
A04	1				1139-1680-01	• Kullager	• Ball bearing		
A05	1				1139-1670-01	Ventilplatta.....	Valve plate.....		
A06	1				1139-1551-01	Tätningring.....	Oil seal		
A07	1				1139-1620-01	Cylinderblock kpl	Cylinder block assy.....		Inkl. pos 8-15
A16	2				1139-1576-01	Låsring.....	Ring		
B01	1				1139-1673-01	Hus.....	Housing		
B02	1				1139-1674-01	Packning	Packing.....		

A

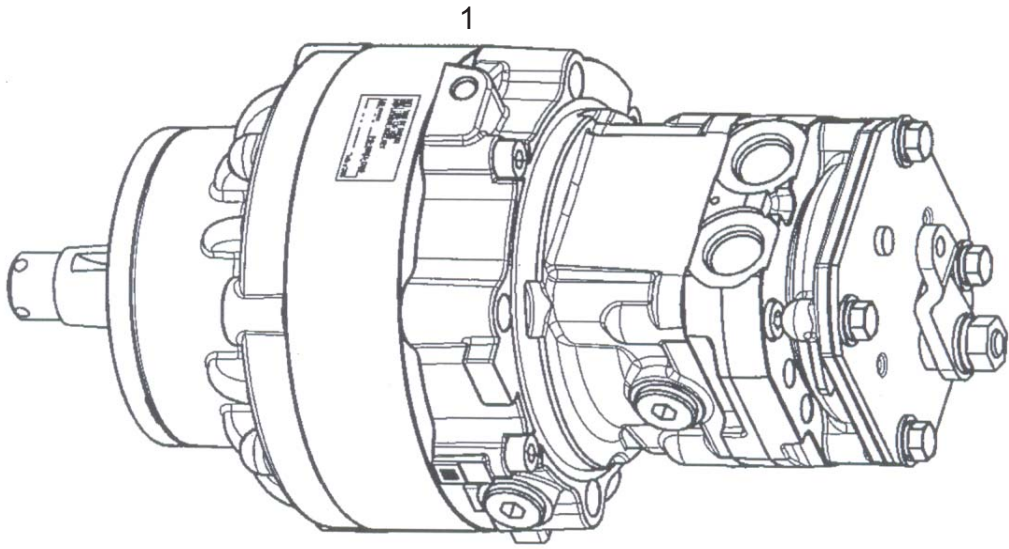


B

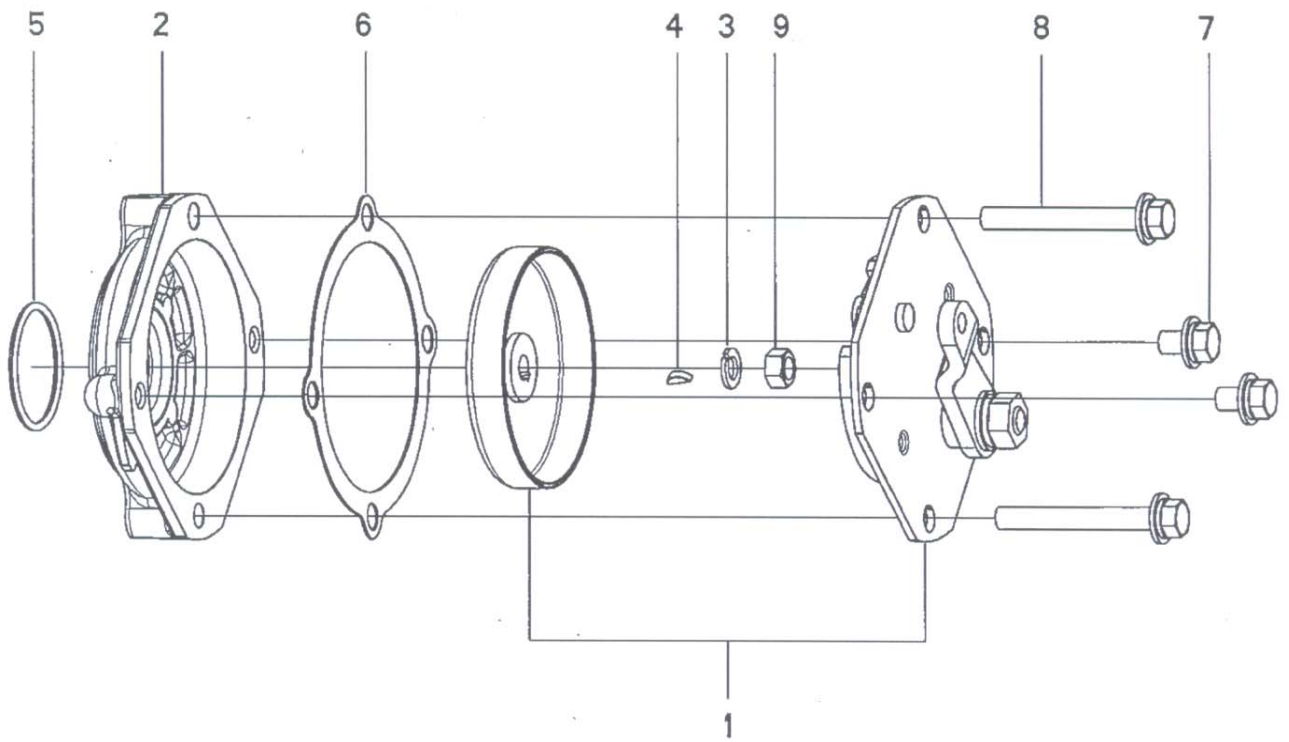


Utgåva Issue 2015-11		Bildnr Picture No BL1051		KANZAKI HYDRAULPUMP KPS-23ALPH REGLAGE-NEUTRAL		KANZAKI HYDRAULIC PUMP KPS-23ALPH CONTROL-NEUTRAL		Sida Page 8	
Pos. Fig.	Antal/Quantity				Art nr Part No	Benämning	Description	Sats Kit	Anmärkning Notes
	KPS -23 ALPH								
A01	1				1139-1711-01	Lock A kpl.....	Side cover A assy.....		Inkl. pos 2-4
A04	1				1139-1682-01	• Packning	• Packing.....		
A05	1				1139-1712-01	Lock B kpl.....	Side cover B assy.....		Inkl. pos 6-8
A08	1				1139-1682-01	• Packning	• Packing.....		
A09	1				1139-1166-01	Tapp	Pin		
A10	1				1139-1612-01	Platta	Plate.....		
A11	1				1139-1611-01	Tryckbricka.....	Thrust plate		
A12	1				1139-1613-01	Tätningring.....	Seal.....		
A13	2				1139-1586-01	Skruv.....	Bolt.....		
A14	8				1139-1692-01	Skruv.....	Bolt.....		
B01	1				1139-1565-01	Arm.....	Lever		
B02	1				1139-1555-01	Vridcentrum.....	Fulcrum		
B03	1				1135-3751-01	Returfjäder.....	Return spring.....		
B04	1				1139-1102-01	Bricka	Washer.....		
B05	1				1139-1574-01	Låsring.....	Ring.....		
B06	2				1139-1588-01	Skruv.....	Bolt.....		
B07	1				1139-1127-01	Mutter	Nut.....		

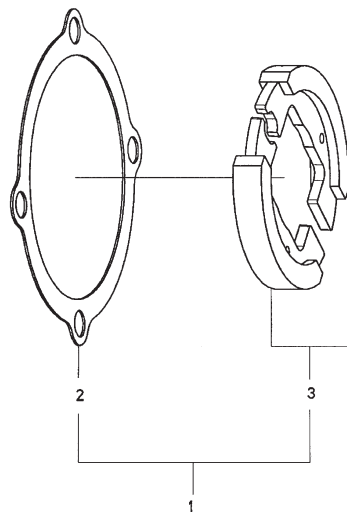
A



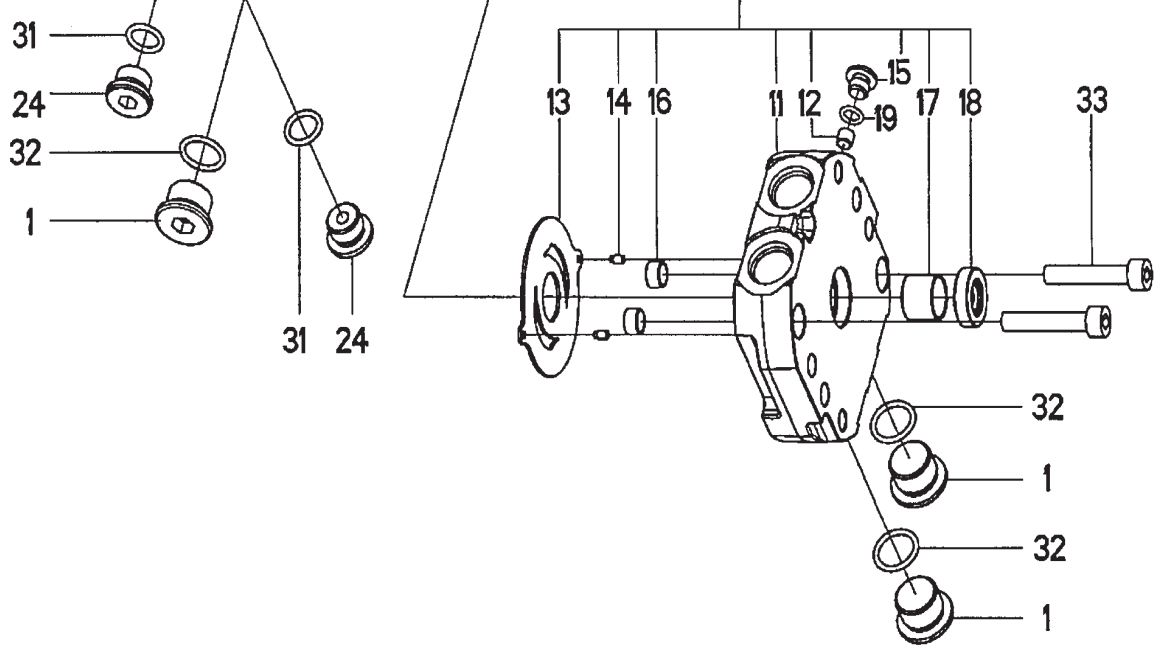
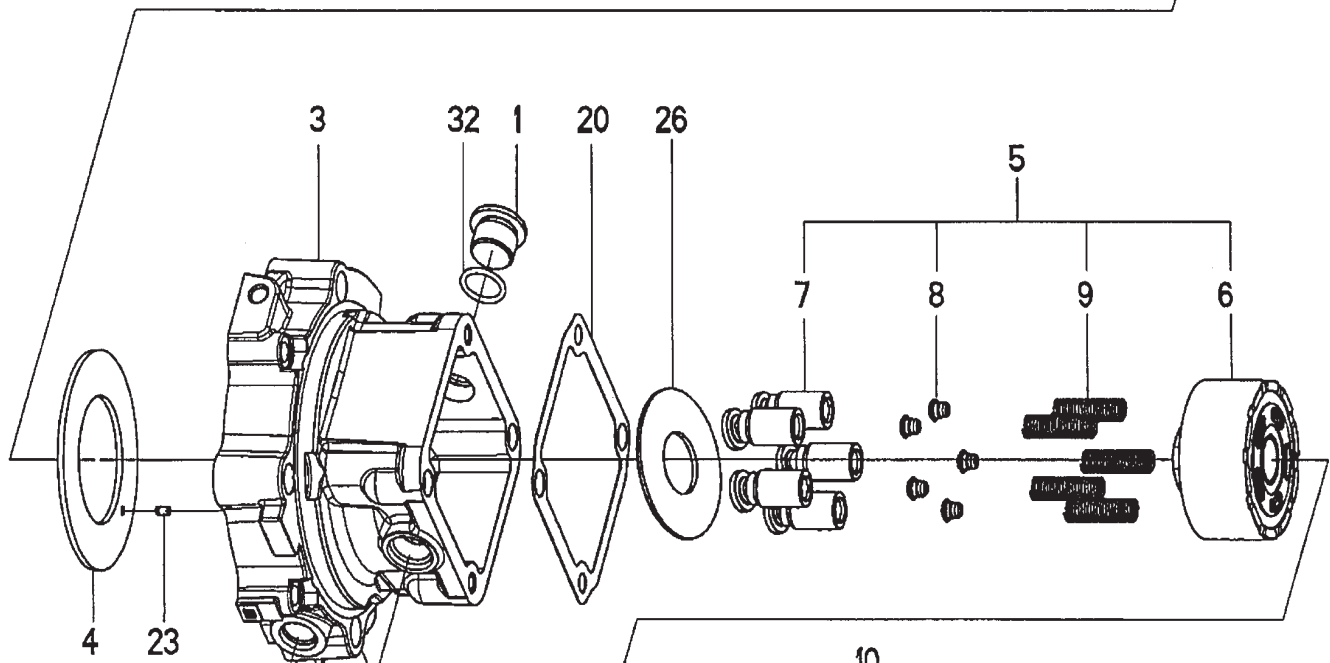
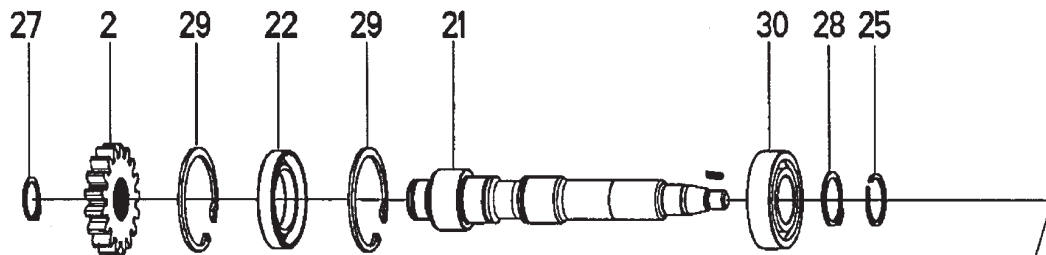
B



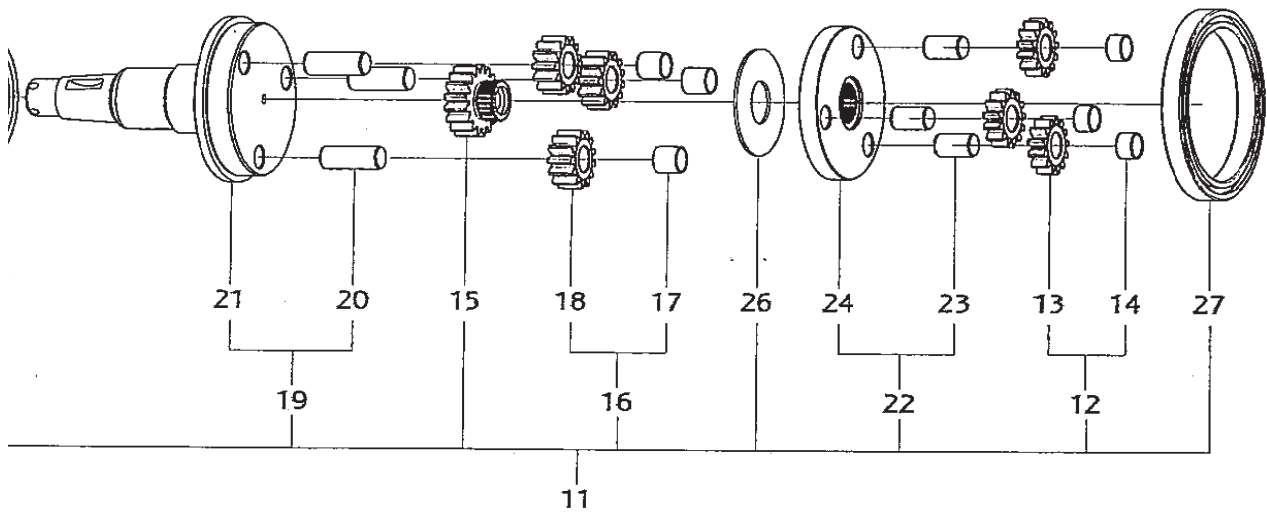
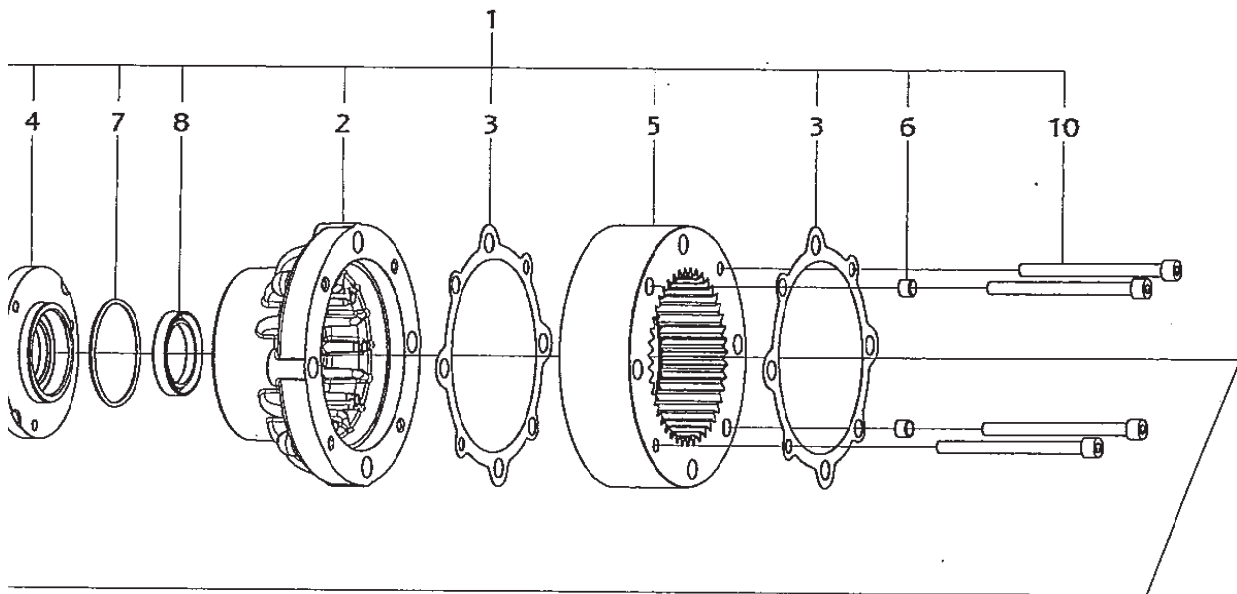
C



Utgåva Issue		Bildnr Picture No		KANZAKI HJULMOTOR KWM 13S-186G MOTOR KPL-BROMS		KANZAKI WHEEL ENGINE KWM 13S-186C MOTOR ASSY-BRAKE		Sida Page	
2015-72		BL1046						2	
Pos. Fig.	Antal/Quantity				Art nr Part No	Benämning	Description	Sats Kit	Anmärkning Notes
	KWM 13S- 186G								
X A01	1				1137-0960-01	Hydraulmotor	Hydraulic motor		KWM 13S-186G
B01	1				1139-1753-01	Broms kpl	Brake assy		
B02	1				1139-1650-01	Bromshus	Brake case		
B03	1				1139-1577-01	Bricka	Washer		
B04	1				1139-1578-01	Kil	Key		
B05	1				1139-1580-01	Packning	Packing		
B06	1				1139-1698-01	Packning	Packing		
B07	2				1139-1714-01	Bult	Bolt		
B08	2				1139-1538-01	Skruv	Bolt w/washer		
B09	1				1139-1589-01	Mutter	Nut		
X C01	1				1139-1705-01	Broms	Brake	Inkl. pos 2-3	
C02	1				1139-1698-01	• Packning	• Packing		

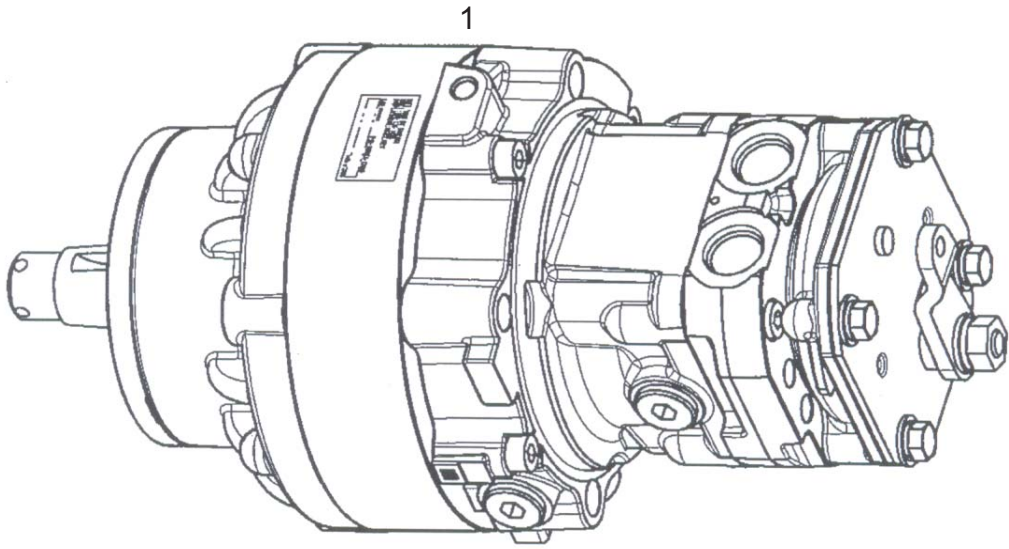


Utgåva Issue 2015-72		Bildnr Picture No BL1047		KANZAKI HJULMOTOR KWM 13S-186G MOTOR		KANZAKI WHEEL ENGINE KWM 13S-186G MOTOR		Sida Page 4	
Pos. Fig.	Antal/Quantity				Art nr Part No	Benämning	Description	Sats Kit	Anmärkning Notes
	KWM 13S- 186G								
1	4				1139-1569-01	Plugg 1/2"	Plug 1/2"		Inkl. pos 6-9 Inkl. pos 11-19
2	1				1139-1625-01	Drev	Sun gear		
3	1				1139-1702-01	Hus	Housing		
4	1				1139-1627-01	Platta	Plate		
5	1				1139-1628-01	Tryckblock kpl	Plunger block assy		
10	1				1139-1704-01	Centrumhus kpl	Center case assy		
13	1				1139-1630-01	• Ventilplatta	• Valve plate		
14	2				1139-1058-01	• Stift	• Knock pin		
15	1				1139-1696-01	• Plugg 1/8"	• Plug 1/8"		
16	2				1139-1166-01	• Tapp	• Pin		
18	1				1139-1614-01	• Tätningsring	• Seal		
19	1				1139-1713-01	• Packning	• Packing		
20	1				1135-3981-01	Packning (GRC)	Packing (GRC)		
21	1				1139-1632-01	Axel	Shaft		
22	1				1139-1633-01	Tätningring	Oil seal		
23	1				1139-1058-01	Stift	Knock pin		
24	2				1139-1572-01	Plugg 3/8"	Plug 3/8"		
25	1				1139-1615-01	Hållare	Retainer		
26	1				1139-1616-01	Tryckbricka	Thrust plate		
27	1				1139-1278-01	Låsring 16	Ring 16		
28	1				1139-1678-01	Låsring 20	Ring 20		
29	2				1139-1444-01	Låsring 42	Ring 42		
30	1				1139-0233-01	Kullager	Ball bearing		
31	2				1139-1115-01	O-ring	O-ring		
32	4				1139-1579-01	Packning	Packing		
33	2				1139-1716-01	Bult	Bolt		

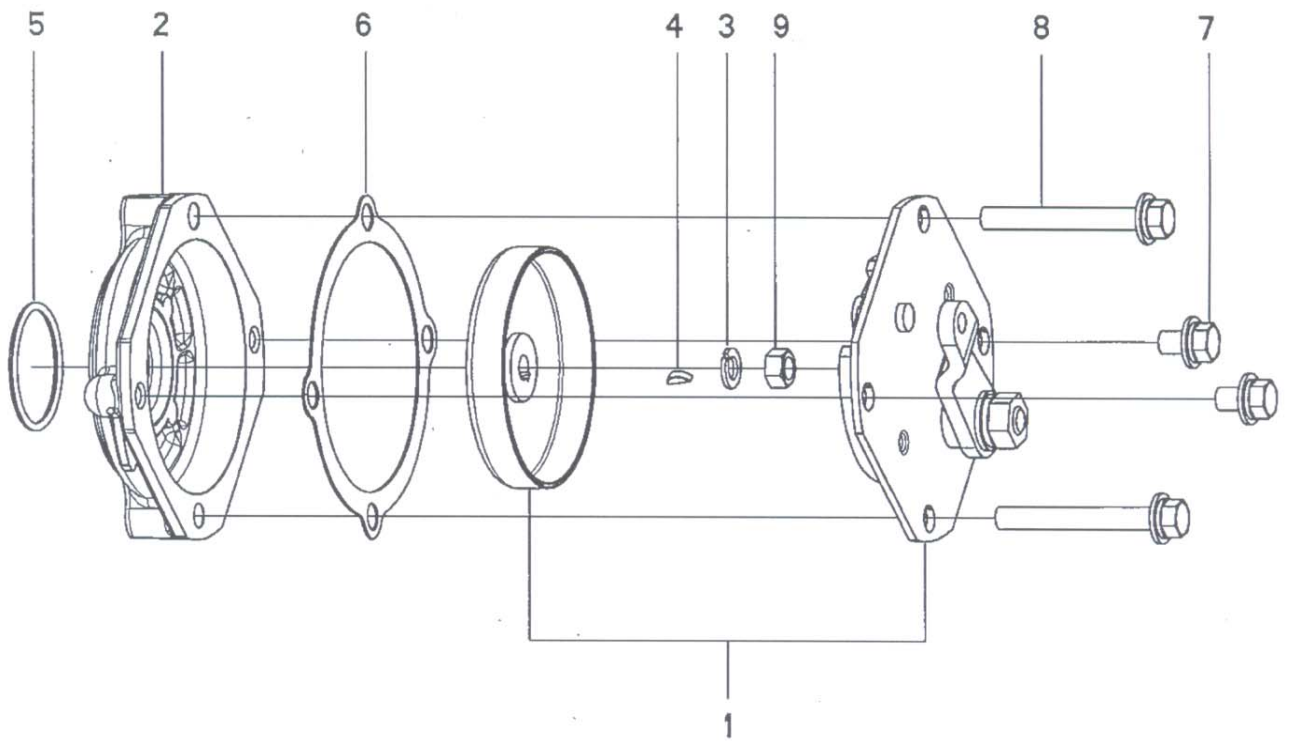


Utgåva Issue 2015-72		Bildnr Picture No BL1012		KANZAKI HJULMOTOR KWM 13S-186G AXEL KPL		KANZAKI WHEEL ENGINE KWM 13S-186C AXLE ASSY		Sida Page 6	
Pos. Fig.	Antal/Quantity				Art nr Part No	Benämning	Description	Sats Kit	Anmärkning Notes
	KWM 13S- 186G								
1	1				1139-1634-01	Axel kpl	Axle assy		Inkl. pos 2-10
2	1				1139-1635-01	• Axelhus	• Axle case		
3	2				1139-1636-01	• Packning	• Packing		
4	1				1139-1637-01	• Lock	• Seal cover		
5	1				1139-1697-01	• Kuggkrans	• Internal gear		
6	2				1139-1166-01	• Tapp	• Pin		
7	1				1139-1682-01	• Packning	• Packing		
8	1				1139-1684-01	• Tätningsring	• Seal		
9	3				1139-1688-01	• Skruv	• Bolt		
10	4				1139-1691-01	• Bult	• Bolt		
11	1				1139-1699-01	Axel kpl	Axle shaft assy		Inkl. pos 12-27
12	3				1139-1645-01	• Drev kpl	• Gear 1st assy		Inkl. pos 13-14
15	1				1139-1640-01	• Drev	• Sun gear 2nd		
16	3				1139-1701-01	• Drev kpl	• Gear 2nd assy		Inkl. pos 17-18
19	1				1139-1700-01	• Axel kpl	• Shaft assy		Inkl. pos 20-21
22	1				1139-1644-01	• Medbringare kpl	• Carrier assy		Inkl. pos 23-24
25	1				1139-1675-01	• Kullager	• Ball bearing		
26	1				1139-1641-01	• Platta	• Plate		
27	1				1139-1642-01	• Lager	• Bearing		

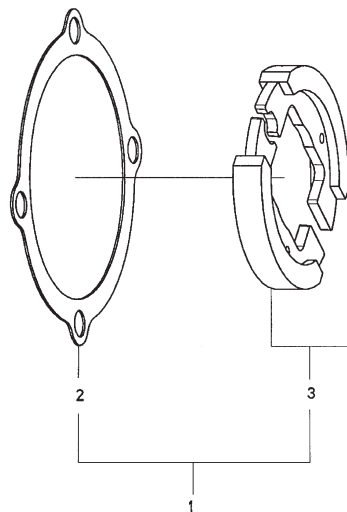
A



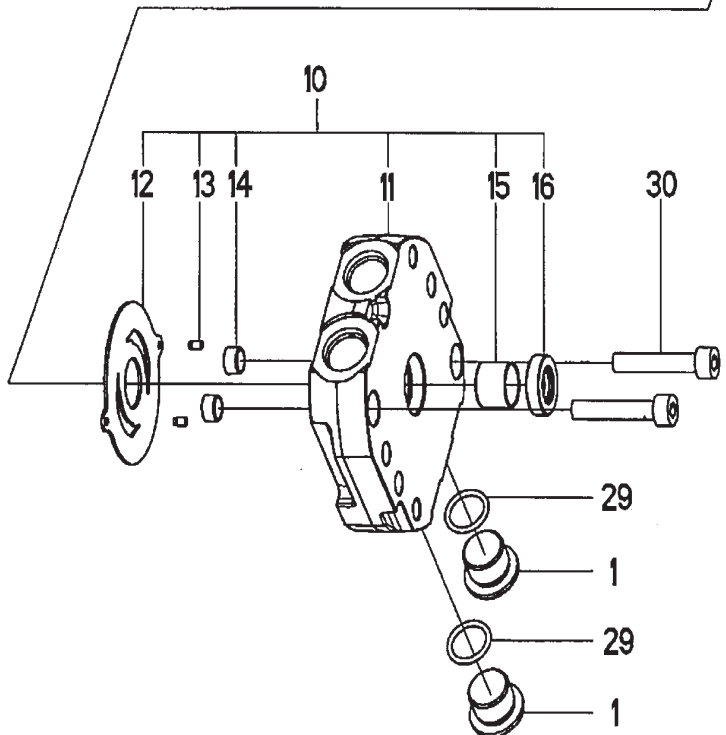
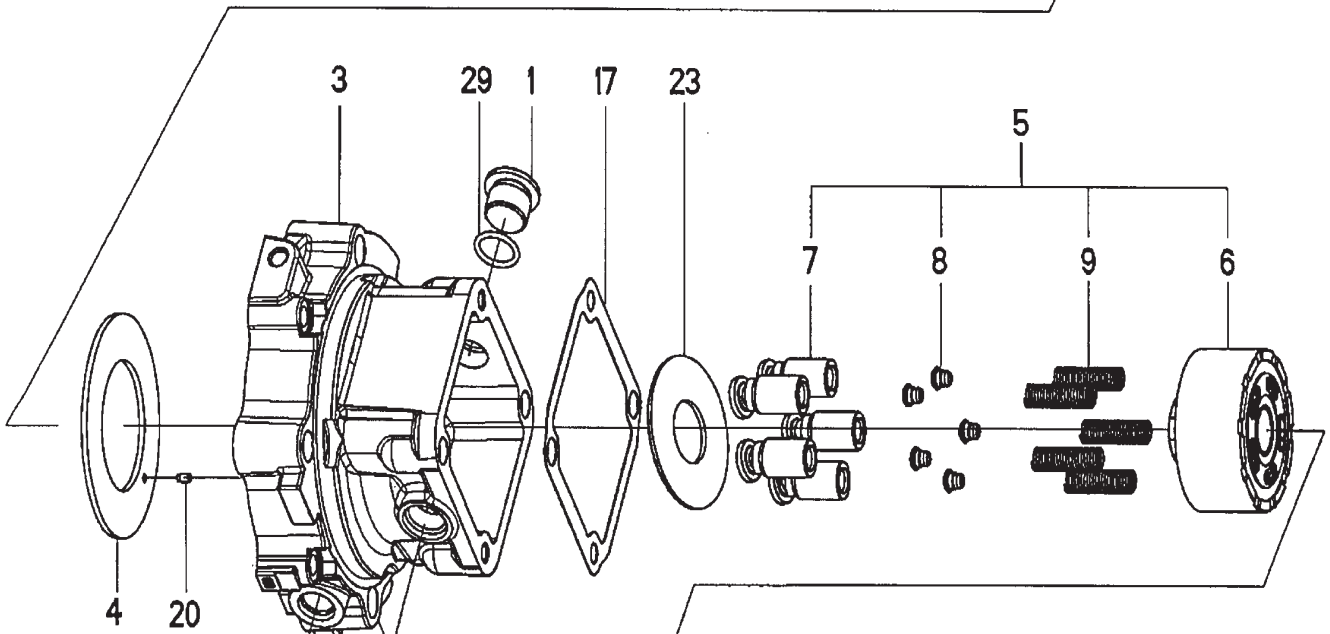
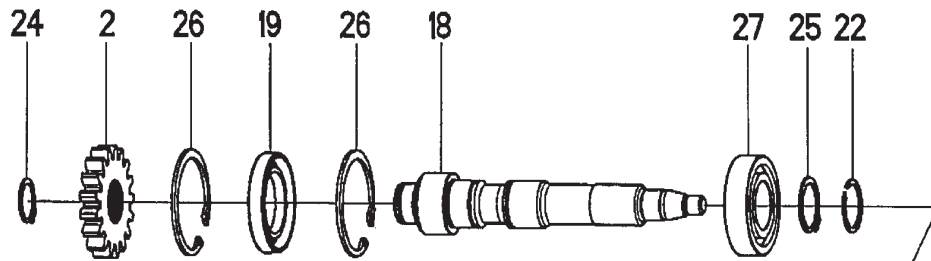
B



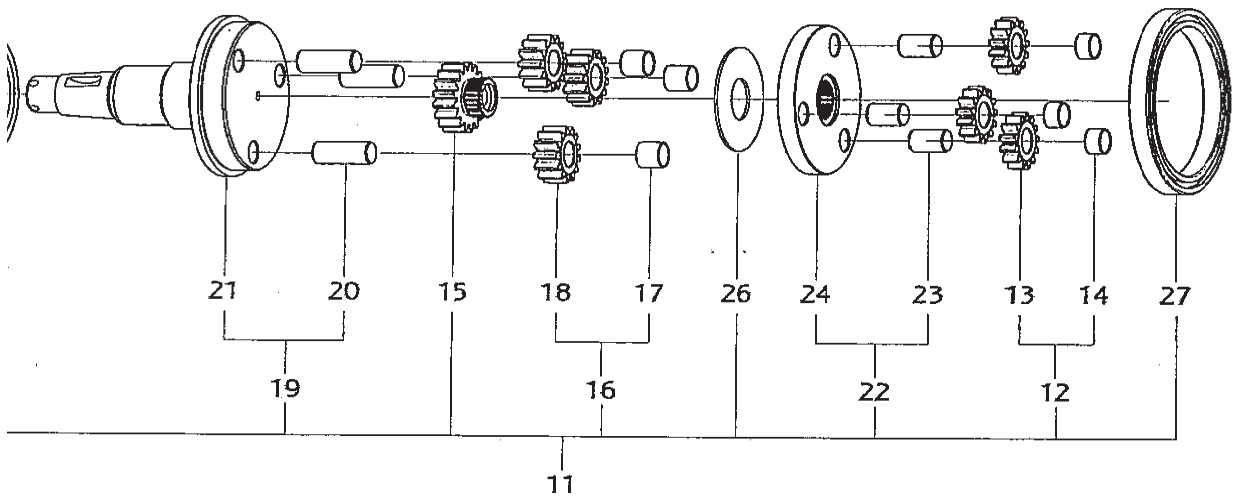
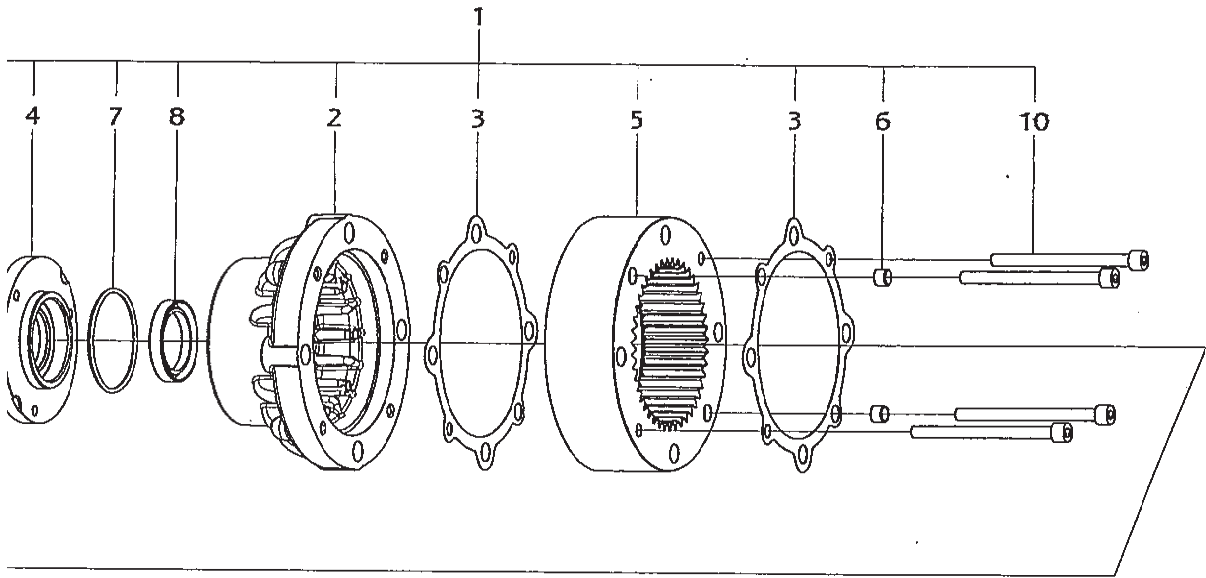
C



Utgåva Issue 2015-72		Bildnr Picture No BL1046		KANZAKI HJULMOTOR KWM 13S-186H MOTOR KPL-BROMS		KANZAKI WHEEL ENGINE KWM 13S-186H MOTOR ASSY-BRAKE		Sida Page 8	
Pos. Fig.	Antal/Quantity				Art nr Part No	Benämning	Description	Sats Kit	Anmärkning Notes
	KWM 13S- 186H								
X A01	1				1137-0961-01	Hydraulmotor	Hydraulic motor		KWM 13S-186D
B01	1				1139-1753-01	Broms kpl	Brake assy		
B02	1				1139-1650-01	Bromshus	Brake case		
B03	1				1139-1577-01	Bricka	Washer		
B04	1				1139-1578-01	Kil	Key		
B05	1				1139-1580-01	Packning	Packing		
B06	1				1139-1698-01	Packning	Packing		
B08	2				1139-1538-01	Skruv	Bolt w/washer		
B09	1				1139-1589-01	Mutter	Nut		
X C01	1				1139-1705-01	Broms	Brake		
C02	1				1139-1698-01	• Packning	• Packing		



Utgåva Issue 2010-72		Bildnr Picture No BL1048		KANZAKI HJULMOTOR KWM 13S-186H MOTOR		KANZAKI WHEEL ENGINE KWM 13S-186H MOTOR		Sida Page 10	
Pos. Fig.	Antal/Quantity				Art nr Part No	Benämning	Description	Sats Kit	Anmärkning Notes
	KWM 13S- 186D								
1	4				1139-1569-01	Plugg 1/2"	Plug 1/2"		Inkl. pos 6-9 Inkl. pos 11-16
2	1				1139-1625-01	Drev	Sun gear		
3	1				1139-1702-01	Hus	Housing		
4	1				1139-1627-01	Platta	Plate		
5	1				1139-1628-01	Tryckblock kpl.	Plunger block assy		
10	1				1139-1703-01	Centrumhus kpl	Center case assy		
12	1				1139-1630-01	• Ventilplatta	• Valve plate		
13	2				1139-1058-01	• Stift	• Knock pin		
14	2				1139-1166-01	• Tapp	• Pin		
16	1				1139-1614-01	• Tätningsring	• Seal		
17	1				1135-3981-01	Packning (GRC)	Packing (GRC)		
18	1				1139-1632-01	Axel	Shaft		
19	1				1139-1633-01	Tätningring	Oil seal		
20	1				1139-1058-01	Stift	Knock pin		
21	2				1139-1572-01	Plugg 3/8"	Plug 3/8"		
22	1				1139-1615-01	Hållare	Retainer		
23	1				1139-1616-01	Tryckbricka	Thrust plate		
24	1				1139-1278-01	Låsring 16	Ring 16		
25	1				1139-1678-01	Låsring 20	Ring 20		
26	2				1139-1444-01	Låsring 42	Ring 42		
27	1				1139-0233-01	Kullager	Ball bearing		
28	2				1139-1115-01	O-ring	O-ring		
29	4				1139-1579-01	Packning	Packing		
30	2				1139-1716-01	Bult	Bolt		



Utgåva Issue 2015-72		Bildnr Picture No BL1012		KANZAKI HJULMOTOR KWM 13S-186H AXEL KPL		KANZAKI WHEEL ENGINE KWM 13S-186H AXLE ASSY		Sida Page 12	
Pos. Fig.	Antal/Quantity				Art nr Part No	Benämning	Description	Sats Kit	Anmärkning Notes
	KWM 13S- 186H								
1	1				1139-1634-01	Axel kpl	Axle assy		Inkl. pos 2-10
2	1				1139-1635-01	• Axelhus	• Axle case		
3	2				1139-1636-01	• Packning	• Packing		
4	1				1139-1637-01	• Lock	• Seal cover		
5	1				1139-1697-01	• Kuggkrans	• Internal gear		
6	2				1139-1166-01	• Tapp	• Pin		
7	1				1139-1682-01	• Packning	• Packing		
8	1				1139-1684-01	• Tätningsring	• Seal		
9	3				1139-1688-01	• Skruv	• Bolt		
10	4				1139-1691-01	• Bult	• Bolt		
11	1				1139-1699-01	Axel kpl	Axle shaft assy		Inkl. pos 12-27
12	3				1139-1645-01	• Drev kpl	• Gear 1st assy		Inkl. pos 13-14
15	1				1139-1640-01	• Drev	• Sun gear 2nd		
16	3				1139-1701-01	• Drev kpl	• Gear 2nd assy		Inkl. pos 17-18
19	1				1139-1700-01	• Axel kpl	• Shaft assy		Inkl. pos 20-21
22	1				1139-1644-01	• Medbringare kpl	• Carrier assy		Inkl. pos 23-24
25	1				1139-1675-01	• Kullager	• Ball bearing		
26	1				1139-1641-01	• Platta	• Plate		
27	1				1139-1642-01	• Lager	• Bearing		