



Reservdelskatalog Parts Catalogue

TITAN 740 DCR

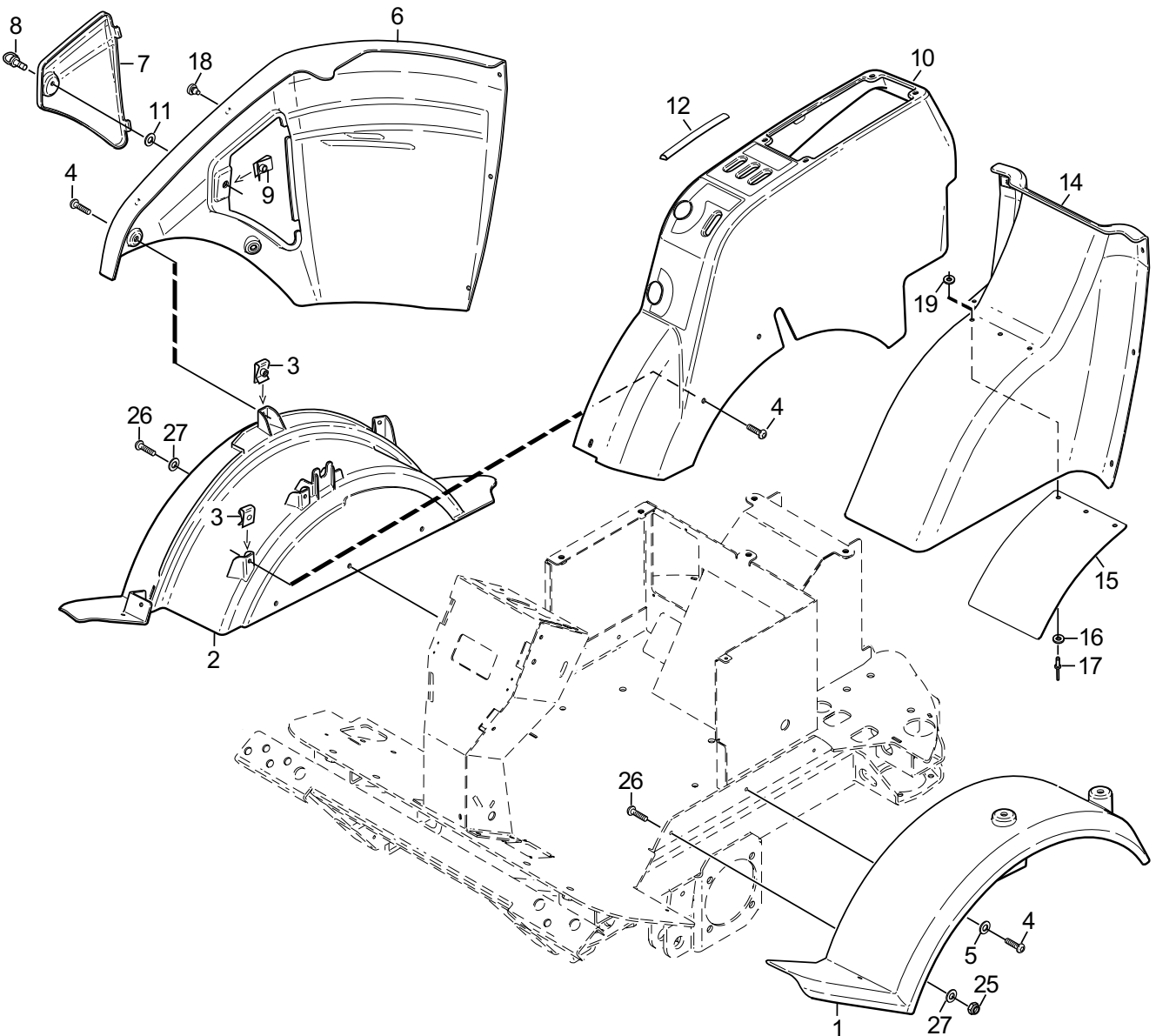
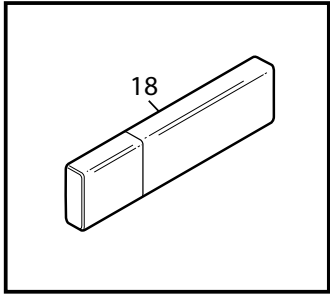
13-7462-11 - Season 2015

- Use GLOBAL GARDEN PRODUCT Genuine Spare Parts specified in the parts list for repair and/or replacement.
 - The contents described in the parts list may change due to improvement.
 - The drawings of the spare parts are only indicative and might not represent the part in question exactly.
 - The indications "right" - "left" - "front" - "rear" refer to the position of the operator when using the machine.
- When placing orders of parts for repair and/or replacement, make sure that the illustrated parts list is the one applying to the machine's year of manufacture, as shown on the identification plate attached to the machine.

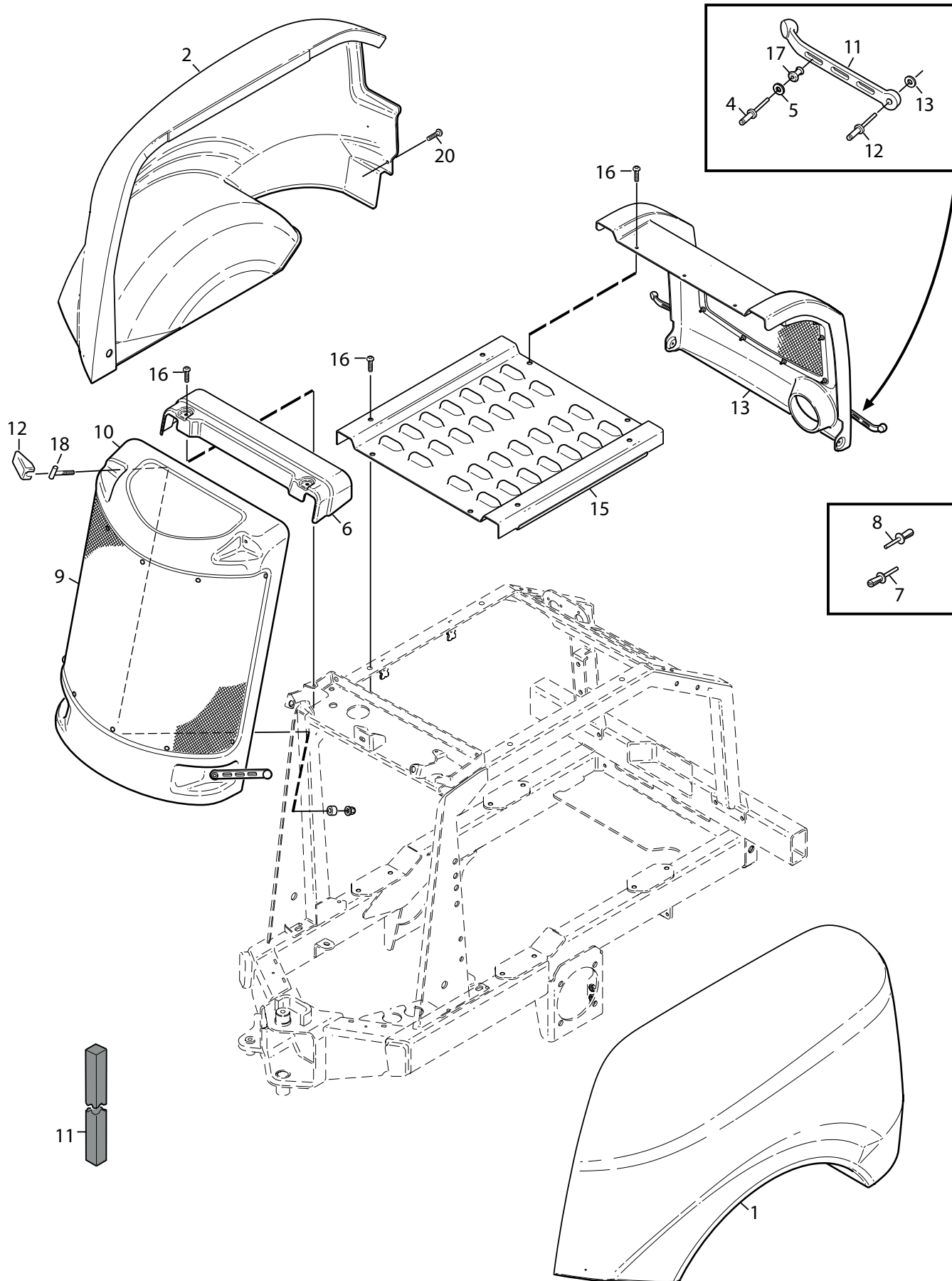
© Copyright 2015 Global Garden Products

All rights reserved. No part of this material may be reproduced or transmitted, in any form or by any means, electronic or mechanical, including photocopying, recording or by any information storage and retrieval system, without permission in writing from GLOBAL GARDEN PRODUCTS.

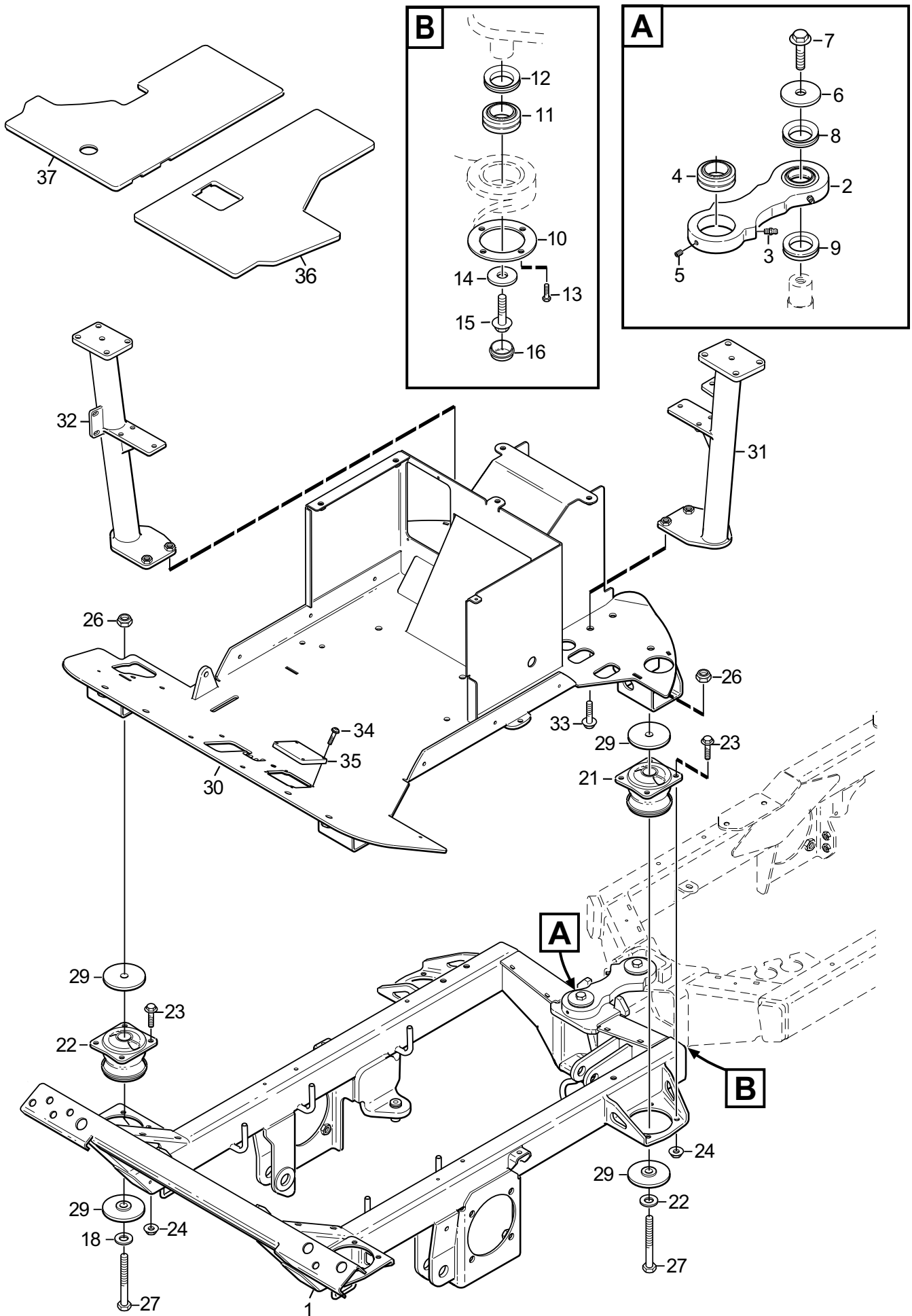
www.stiga.com



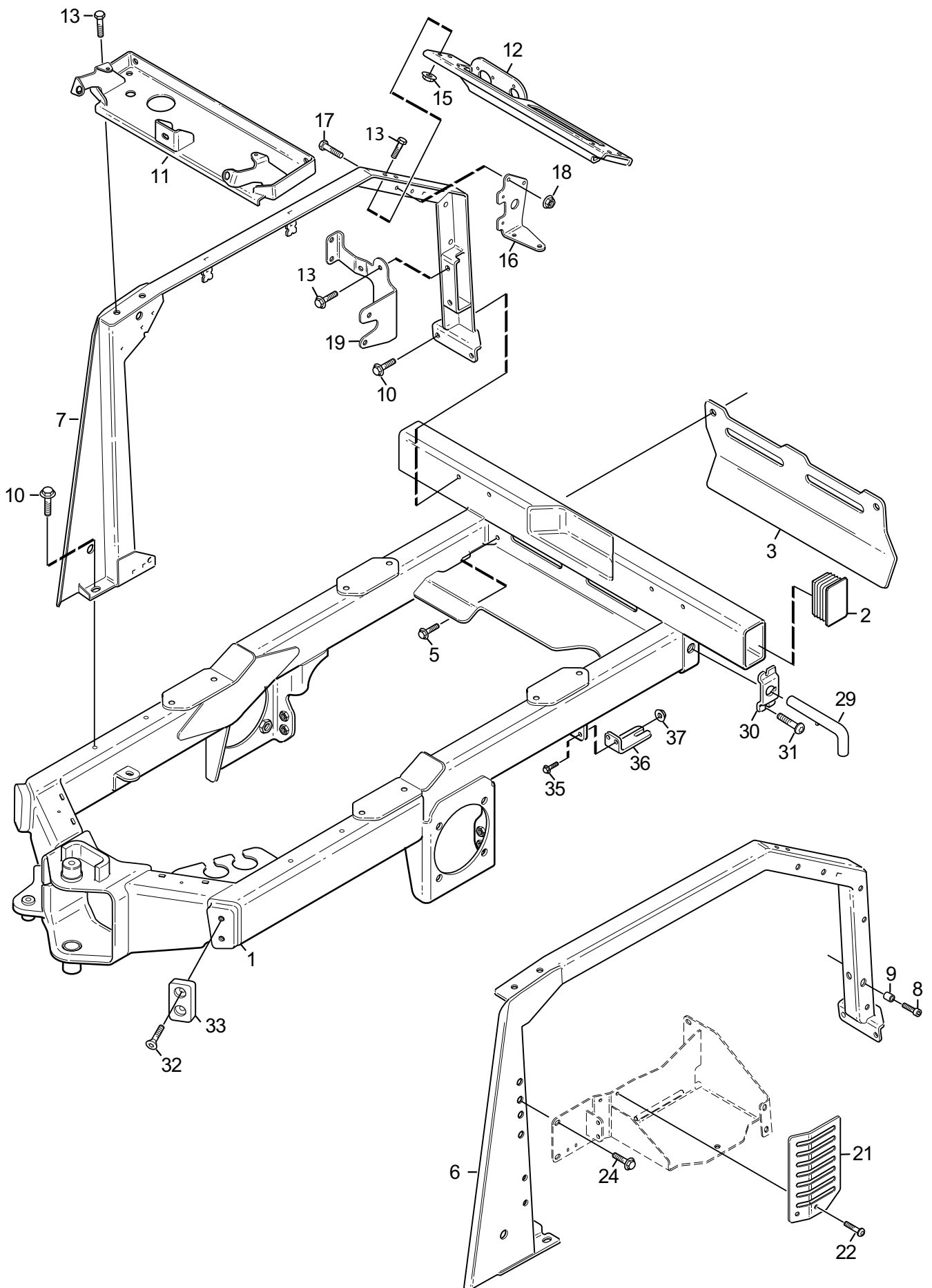
Utgåva Issue		Bildnr Picture No		TITAN KAROSS-FRAM			BODY WORK-FRONT		Sida Page	
2013-11		Q-001							2	
Pos. Fig.	Antal/Quantity				Art nr Part No	Benämning	Description	Sats Kit	Anmärkning Notes	
	7462									
1	1				1135-3559-01	Framskärm-vä.....	Mudguard front-LH			
2	1				1135-3560-01	Framskärm-hö.....	Mudguard front-RH			
3	8				1134-4176-01	Clips.....	Clips			
4	15				9893-0616-16	Skruv.....	Screw.....			
5	6				9699-0060-02	Bricka	Washer.....			
6	1				1135-2502-01	Sidopanel	Side panel.....			
7	1				1135-2504-01	Inspektionslucka.....	Inspection cover			
8	1				1137-0453-01	Vridtapp	Fastener			
9	1				1137-0452-01	Clips.....	Clips			
10	1				1135-3565-04	Reglagepanel	Control panel.....			
11	1				1137-0454-01	Bricka	Washer.....			
12	0,35				084-237-01	Tätninglist	Seal strip.....			
13	2				084-305-01	Gummiplugg.....	Rubber plug.....			
14	1				1135-2505-01	Kåpa-bakre	Cover-rear			
15	1				1135-3495-01	Gummiduk.....	Rubber cloth.....			
16	6				9699-0120-02	Bricka	Washer.....			
17	3				9632-0516-00	Popnit.....	Pop rivet			
18	1				1137-0850-01	Varningstriangel.....	Warning triangle.....			
24	2				9959-0620-16	Skruv.....	Screw.....			
25	2				9997-0631-02	Mutter	Nut.....			
26	2				9959-0820-16	Skruv.....	Screw.....			
27	2				9699-0056-02	Bricka	Washer.....			



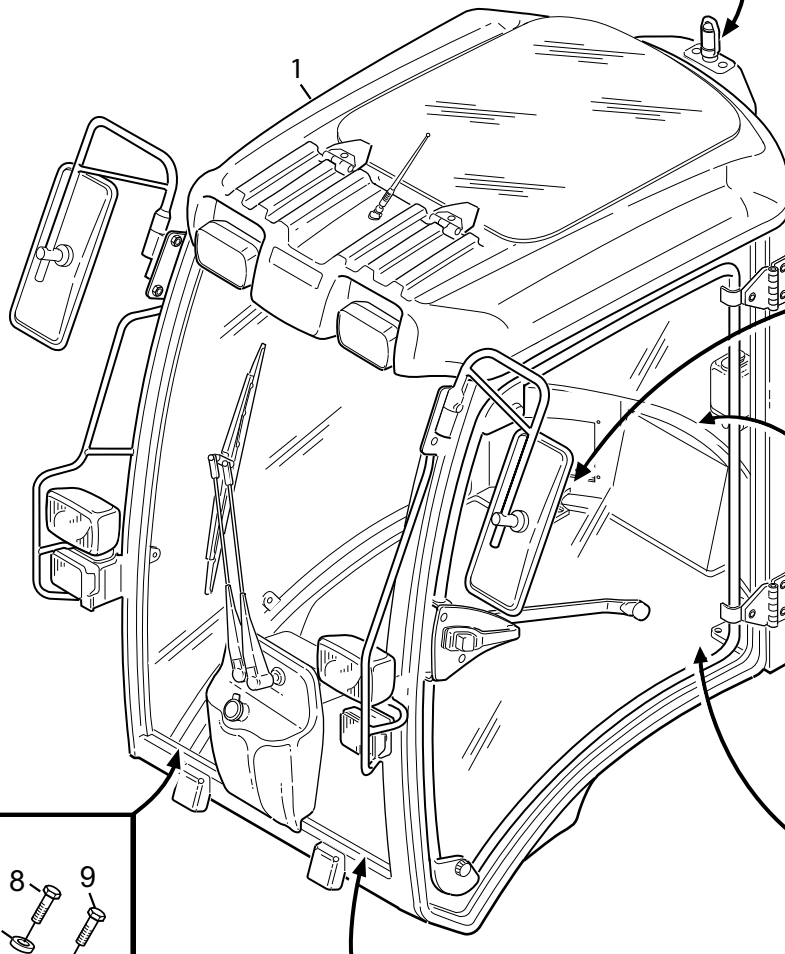
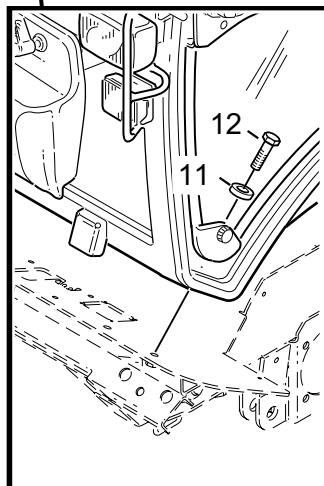
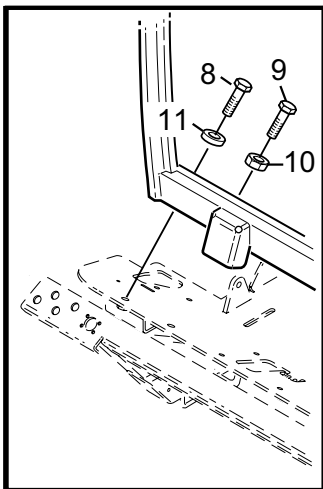
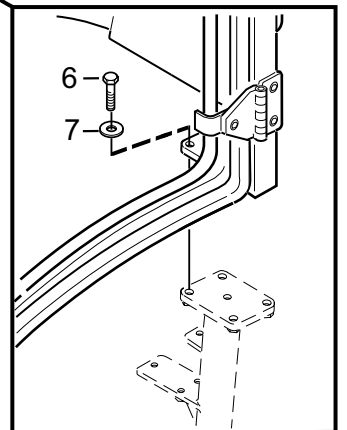
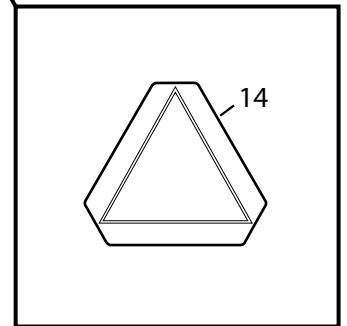
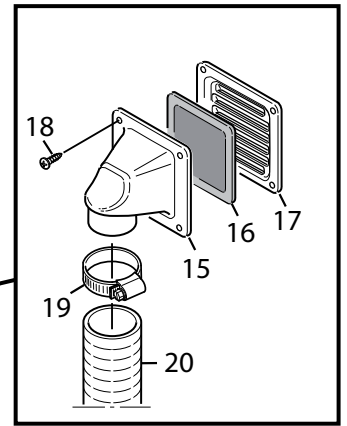
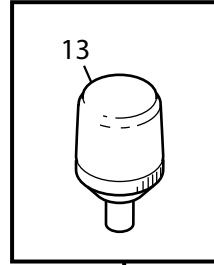
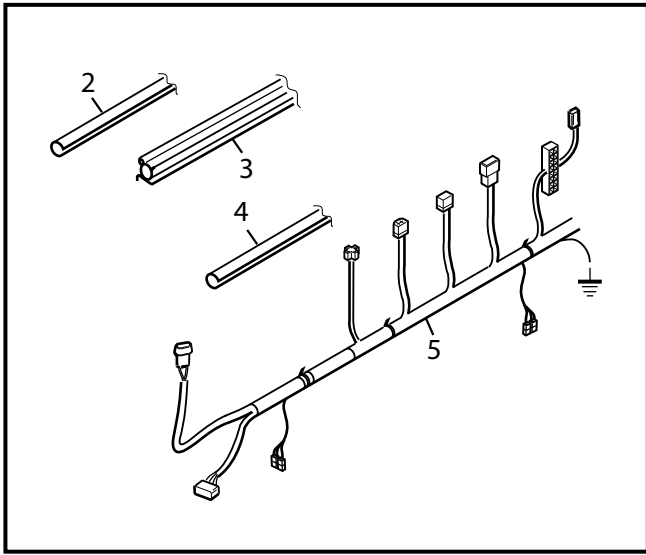
Utgåva Issue		Bildnr Picture No		TITAN KAROSS-BAK BODY WORK-REAR			Sida Page		
2015-11		Q-002A					4		
Pos. Fig.	Antal/Quantity				Art nr Part No	Benämning	Description	Sats Kit	Anmärkning Notes
	7462								
1	1				1137-0715-02	Huvsida-vä.....	Hood cover-LH.....		
2	1				1337-0716-02	Huvsida-hö.....	Hood cover-RH.....		
3	4				1134-2143-01	Gummistropp.....	Rubber loop.....		
4	4				9632-0513-00	Popnit.....	Pop rivet.....		3,2 x 20
5	4				9699-0120-02	Bricka.....	Washer.....		
6	1				1137-0645-01	Huv övre.....	Hood upper.....		
7	26				085-044-01	Plastnit.....	Plastic rivet.....		
8	26				9699-0002-02	Bricka.....	Washer.....		
9	1				1137-0643-01	Nät-främre.....	Net-front.....		
10	1				1137-0644-01	Huv-främre.....	Hood-front.....		
11	0,6				084-237-01	Tätninglist.....	Seal strip.....		
12	2				1135-3779-01	Huvlås kpl.....	Hood lock kit.....		
13	1				1137-0647-01	Huv-bakre.....	Hood-rear.....		
14	1				1137-0648-01	Nät-bakre.....	Net-rear.....		
15	1				1137-0659-01	Huvlock.....	Hood cover.....		
16	10				9893-0616-16	Skruv.....	Screw.....		
17	4				9405-0229-0	Knopp.....	Knob.....		
18	2				1137-1007-01	T-skruv.....	T-screw.....		



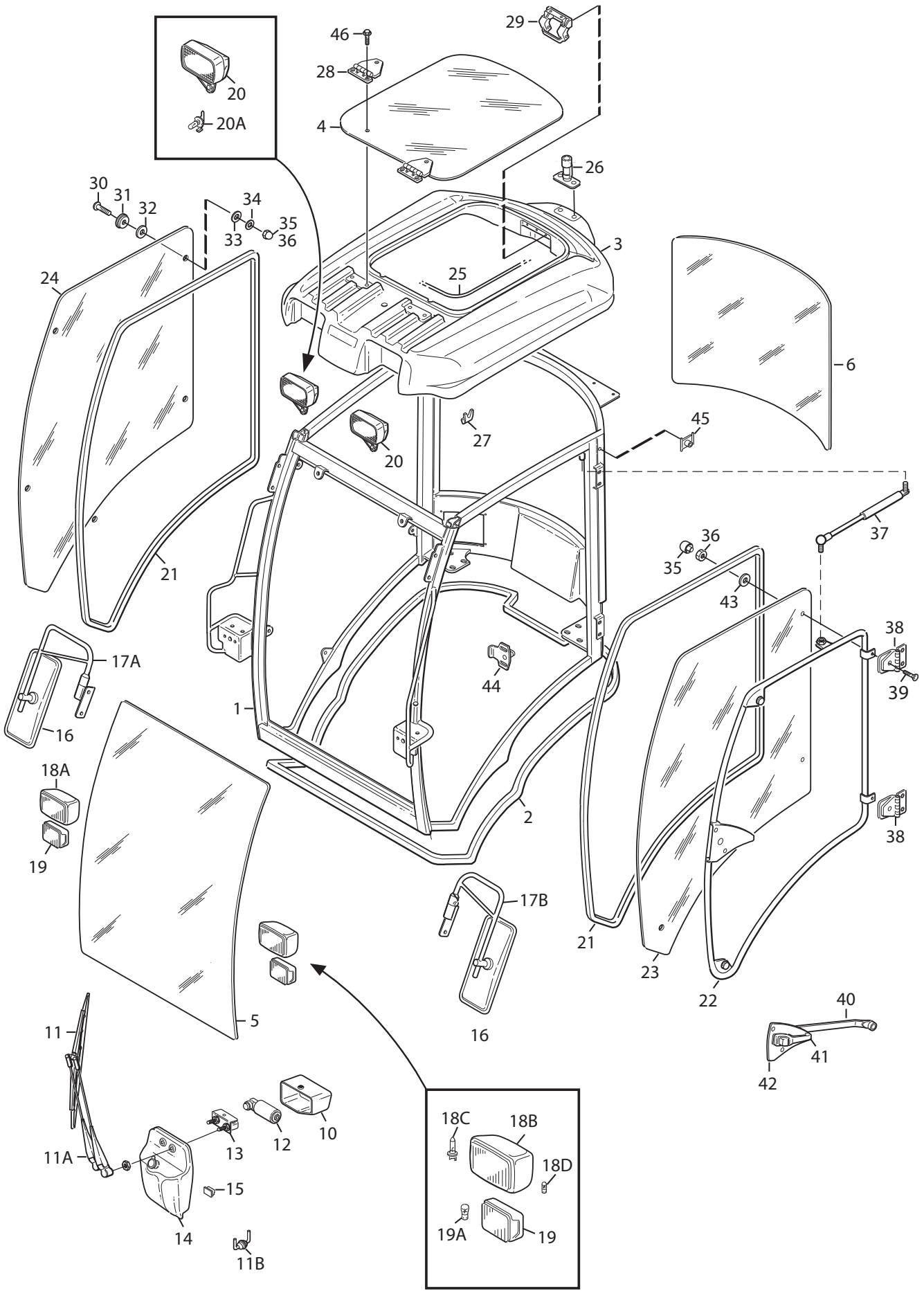
Utgåva Issue		Bildnr Picture No		TITAN RAM-FRÄMRE			FRAME-FRONT		Sida Page	
2015-11		Q-003A							6	
Pos. Fig.	Antal/Quantity				Art nr Part No	Benämning	Description	Sats Kit	Anmärkning Notes	
	7462									
1	1				1137-0459-01	Ram-främre.....	Frame-front			
2	1				1135-3018-01	Länk kpl.....	Link assy		Incl. 3-5	
3	2				9501-0500-00	Smörjnippel	Grease joint			
4	2				9547-0006-01	Ledlager.....	Bearing			
5	2				9907-0610-16	Stoppskruv.....	Stop screw			
6	2				1135-4008-01	Bricka	Washer		V-ring	
7	2				9959-1025-16	Skruv.....	Screw.....			
8	2				9404-0204-01	V-ring	V-ring			
9	2				9404-0203-01	V-ring	V-ring			
10	1				1135-4009-01	Låsbricka	Lock washer			
11	1				9547-0007-01	Ledlager.....	Bearing			
12	1				9404-0202-01	V-ring	V-ring			
13	4				9939-0820-16	Skruv.....	Screw.....			
14	1				1135-4010-01	Bricka	Washer.....			
15	1				9991-1024-19	Skruv.....	Screw.....			
16	1				1135-4007-01	Lock	Cover			
21	2				084-301-01	Hyttedämpare-bak	Cabin damper-rear			
22	2				084-302-01	Hyttedämpare-fram	Cabin damper-front			
23	16				9959-1025-16	Skruv.....	Screw.....			
24	16				9739-1031-22	Mutter	Nut.....			
26	4				9747-1631-02	Mutter	Nut.....			
27	4				082-202-01	Skruv.....	Screw.....			
28	4				9699-0123-02	Bricka	Washer.....			
29	4				084-303-01	Bricka	Washer.....			
30	1				1137-0548-01	Bottenplåt	Floor plate			
31	1				1137-0543-01	Infästning-vä.....	Attachment-LH			
32	1				1137-0544-01	Infästning-hö.....	Attachment-RH			
33	6				9959-1225-16	Skruv.....	Screw.....			
34	1				1135-3604-01	Siktfönster.....	Aim window.....			
35	4				9943-0516-16	Skruv.....	Screw.....			
36	1				1137-0700-01	Durkmatta-vä.....	Floor mat-LH			
37	1				1137-0701-01	Durkmatta-hö.....	Floor mat-RH			



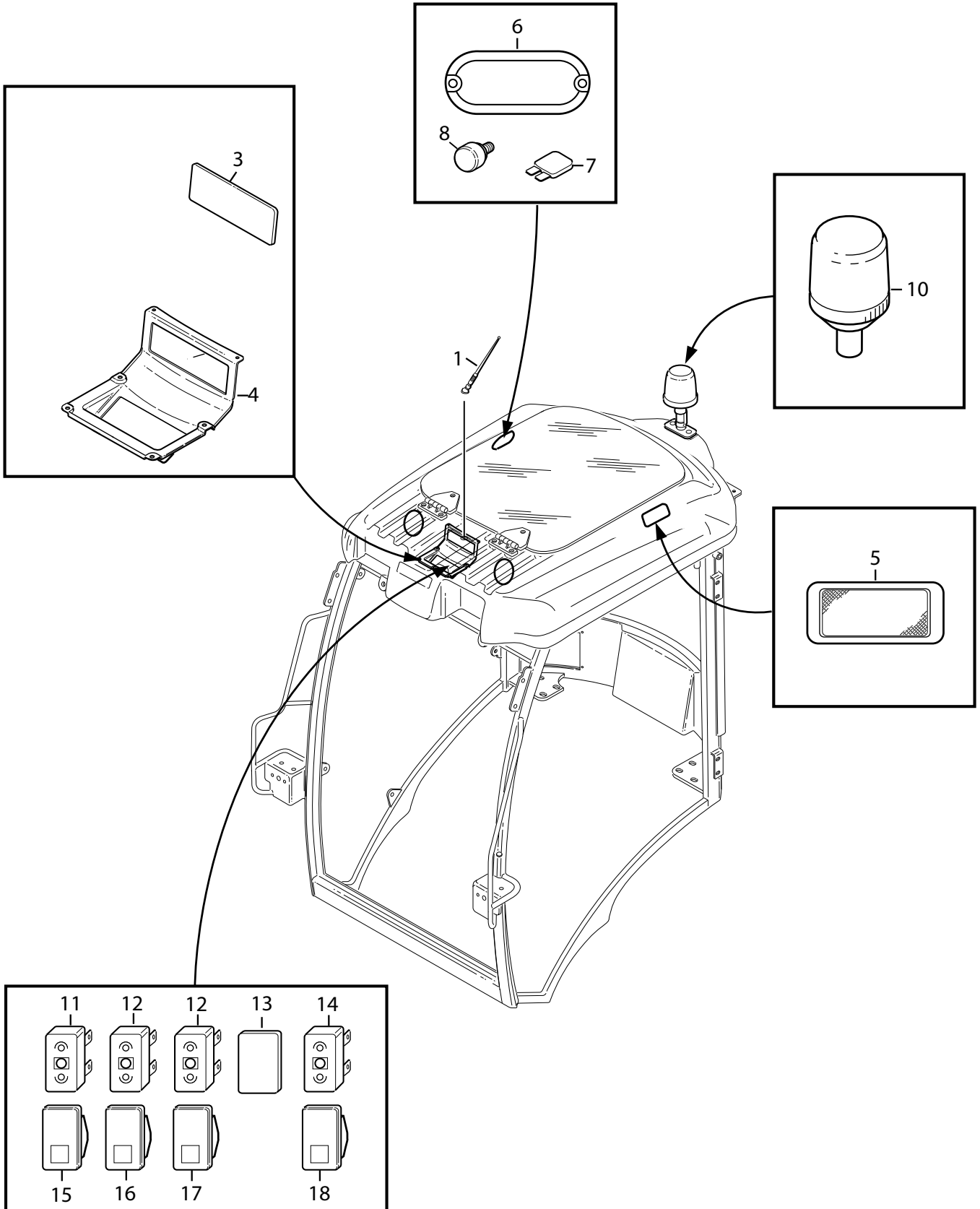
Utgåva Issue		Bildnr Picture No		TITAN RAM-BAKRE			FRAME-REAR		Sida Page	
2015-11		Q-034							8	
Pos. Fig.	Antal/Quantity				Art nr Part No	Benämning	Description	Sats Kit	Anmärkning Notes	
	7462									
1	1				1137-1121-01	Ram-bakre	Frame-rear			
2	2				9403-0058-01	Ändavslut.....	End cap.....			
3	1				1137-0553-01	Värmeskydd.....	Heat guard.....			
5	2				9959-0816-16	Skruv.....	Screw.....			
6	1				1137-0490-01	Lastram-vä.....	Load frame-LH			
7	1				1137-0489-01	Lastram-hö.....	Load frame-RH			
8	4				9939-1020-16	Skruv.....	Screw.....			
9	4				1134-0041-10	Distans	Spacer.....			
10	8				9959-1025-16	Skruv.....	Screw.....			
11	1				1137-0501-01	Tvärbalk-främre.....	Cross member-front			
12	1				1137-0508-01	Tvärbalk-bakre	Cross member-rear			
13	14				1182800815/0	Skruv.....	Screw.....			
15	6				112154220/0	Mutter	Nut.....			
16	1				1137-0557-01	Fäste.....	Bracket			
17	2				9893-0616-16	Skruv.....	Screw.....			
19	1				1134-0556-01	Fäste.....	Bracket			
22	2				9893-0816-16	Skruv.....	Screw.....			
23	1				1137-0551-01	Remskydd	Belt protection.....		Generator	
29	2				1134-7525-01	Låssprint	Locking pin			
30	2				1134-7523-01	Låshållare	Bracket			
31	4				9943-0612-16	Skruv.....	Screw.....			
32	4				9924-0820-16	Skruv.....	Screw.....			
33	2				1135-3188-01	Styrstopp.....	Steering limit.....			
35	4				9959-0820-16	Skruv.....	Screw.....			
36	2				1137-0591-01	Ljuddämparfäste.....	Bracket, muffler			
37	4				9739-0831-22	Mutter	Nut.....			



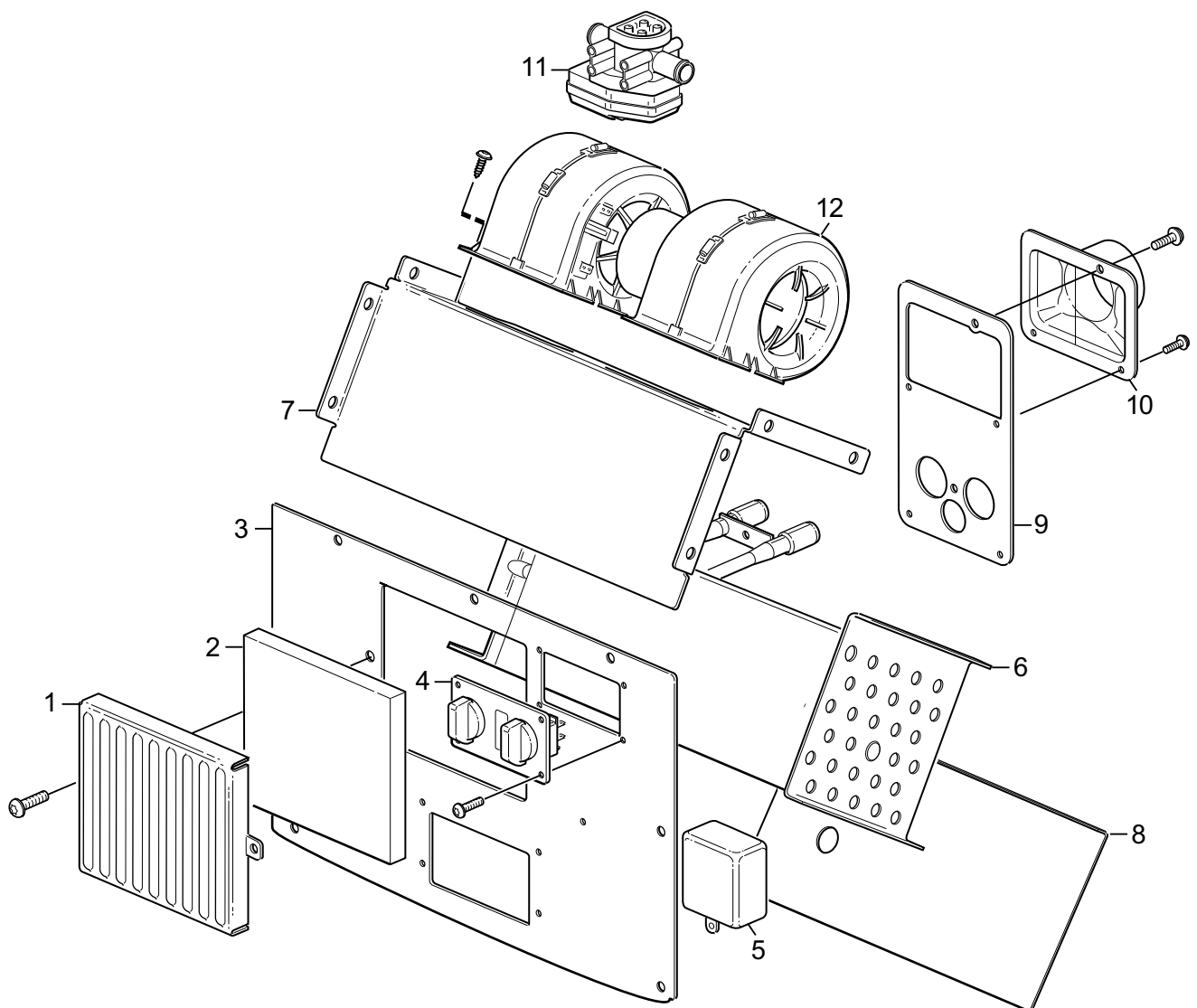
Utgåva Issue		Bildnr Picture No		TITAN HYTT CABIN			Sida Page		
2015-11		Q-006					10		
Pos. Fig.	Antal/Quantity				Art nr Part No	Benämning	Description	Sats Kit	Anmärkning Notes
	7454	7460	7461	7462					
1	1				1137-0734-01	Hytt kpl.....	Cabin assy		Finished product
2	1				1135-3967-01	Tätninglist	Seal strip.....		
3	1				1135-3768-01	Tätninglist	Seal strip.....		
4	0,75				084-237-01	Tätninglist	Seal strip.....		
5	1				1319-1115-01	Kablage hytt.....	Harness cabin		
6	8				9997-1035-16	Skruv.....	Screw.....		
7	8				084-232-01	Bricka	Washer.....		
8	1				9997-1030-16	Skruv.....	Screw.....		
9	1				9997-1040-16	Skruv.....	Screw.....		
10	1				9739-1031-22	Mutter	Nut.....		
11	4				9699-0035-02	Bricka	Washer.....		
12	2				9997-1035-16	Skruv.....	Screw.....		
13	1				082-688-01	Roterande varningsljus	Beacon.....		
14	1				13-7962-11	LGF dekal.....	SMW label		
15	1				1319-1169-01	Luftintag	Air intake		
16	1				1319-1171-01	Luftfilter	Air filter		
17	1				1319-1170-01	Filterfäste	Filter grid		
18	8				9893-0616-16	Skruv.....	Screw.....		
19	2				085-018-01	Slangklämma	Hose clamp.....		
20	1				1135-2954-01	Slang	Hose		



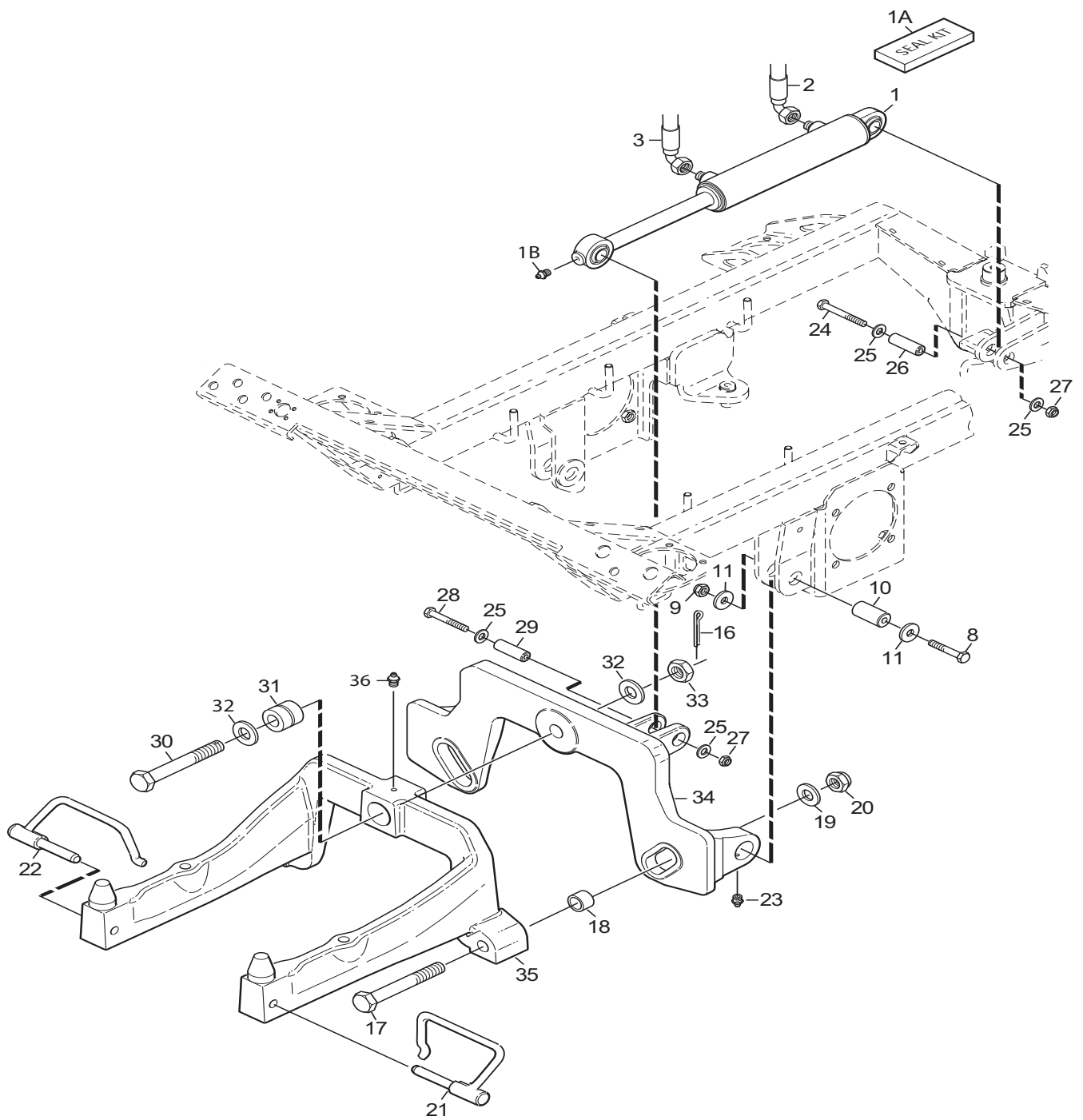
Utgåva Issue		Bildnr Picture No		TITAN HYTT CABIN			Sida Page		
2013-11		Q-030A					12		
Pos. Fig.	Antal/Quantity				Art nr Part No	Benämning	Description	Sats Kit	Anmärkning Notes
	7462								
1	1			1137-0734-01	Hytt kpl.....	Cabin assy			
2	1			1319-1189-01	Tätning.....	Cabin support seal.....			
3	1			1319-1172-01	Tak	Roof.....			
4	1			1319-1174-01	Ruta-övre	Upper glass.....			
5	1			1319-1134-01	Vindruta	Windscreen.....			
6	1			1319-1137-01	Bakruta	Rear glass			
10	1			1319-1168-01	Kåpa.....	Cover.....			
11	1			1319-1152-01	Torkarblad.....	Wiper blade			
11A	1			1319-1151-01	Torkararm.....	Wiper arm.....			
12	1			1319-1150-01	Torkarmotor.....	Wiper engine			
13	1			1319-1149-01	Motorfäste.....	Bracket			
14	1			1319-1190-01	Vattenbehållare	Water tank assy			
15	1			083-504-01	Brytare	Switch			
16	2			1319-1125-01	Backspegel.....	Mirror			
17A	1			1319-1123-01	Spegelarm-RH.....	Mirror arm-RH.....			
17B	1			1319-1124-01	Spegelarm-LH	Mirror arm-LH			
18A	1			1319-1101-01	Strålkastare-RH	Head lamp-RH			
18B	1			1319-1102-01	Strålkastare-LH.....	Head lamp-LH			
18C	2				Lampa H4.12V	Light bulb.....		Buy locally	
18D	2				Lampa 12V 5-21W	Light bulb.....		Buy locally	
19	2			1319-1100-01	Blinkers	Direction light			
19A	2				Lampa 12V.21W	Light bulb		Buy locally	
20	2			1319-1121-01	Arbetslampa.....	Working light			
20A	2				Lampa H3.55W	Light bulb.....		Buy locally	
21	2			1319-1142-01	Tätninglist	Sealing strip		Meter	
22	1			1319-1180-01	Dörram.....	Door frame			
23	1			1319-1135-01	Dörrglas	Door glass			
24	1			1319-1136-01	Sidoglas	Side glass -right.....			
25	1			1319-1191-01	Tätninglist	Sealing strip			
26	1			1319-1127-01	Fäste-rot.varningsljus	Bracket-rot.lamp bracket...			
27	1			1319-1176-01	Krokar.....	Hooks			
28	2			1319-1173-01	Gångjärn	Hinge.....			
29	1			1319-1175-01	Handtag.....	Handle			
30	1			083-509-01	Skruv.....	Screw.....			
31	1			1319-1158-01	Platta	Plate.....			
32	1			1319-1160-01	Gummipackning	Rubber gasket.....			
33	1			1319-1178-01	Packning	Gasket			
34	1			9699-0056-02	Bricka	Washer.....			
35	1			1319-1177-01	Mutterhatt	Cover nut.....			
36	1			9739-0831-02	Mutter	Nut.....			
37	1			1319-1132-01	Gasfjäder.....	Gas spring			
38	2			1319-1133-01	Gångjärn	Hinge.....			
39	1			9924-0840-01	Skruv.....	Screw.....			
40	1			1319-1148-01	Dörrlås	Door lock			
41	2			1319-1143-01	Dörrhandtag	Door handle.....		Med nyckel/With keys	
42	1			1319-1183-01	Packning	Gasket			
43	1			1319-1182-01	Gummipackning	Rubber gasket.....			
44	1			1319-1147-01	Skruvfäste	Bolt stricker.....			
45	1			1319-1181-01	Dörrfäste	Door strap.....			
46	4			083-509-01	Skruv.....	Screw.....			



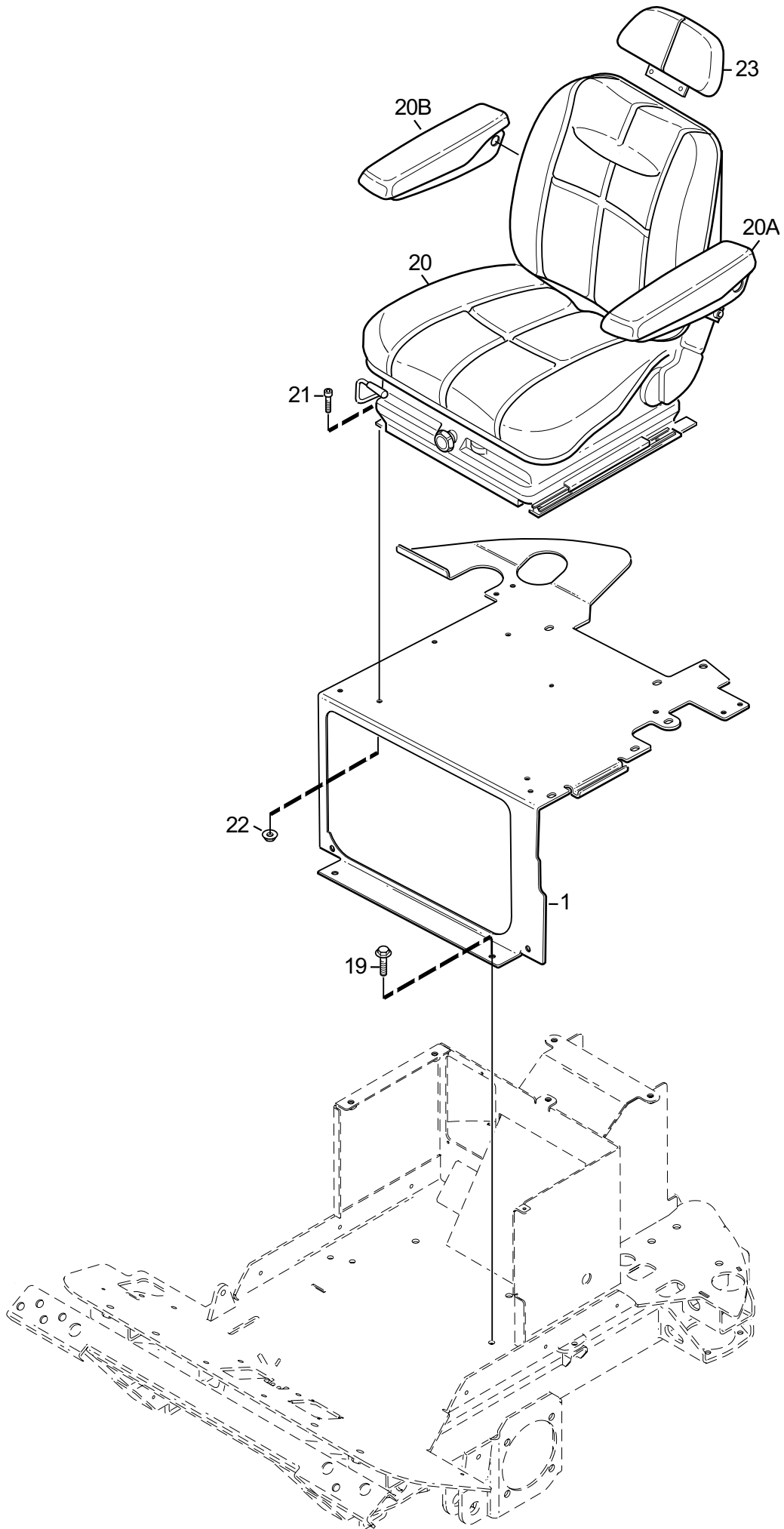
Utgåva Issue		Bildnr Picture No		TITAN HYTT CABIN			Sida Page		
2013-11		Q-031					14		
Pos. Fig.	Antal/Quantity				Art nr Part No	Benämning	Description	Sats Kit	Anmärkning Notes
	7462								
1	1				1319-1119-01	Antenn	Antenna		
3	1				1319-1104-01	Lock arbetsbelysning	Cover work light		
4	1				1319-1192-01	Panel	Dashboard		
5	1				1319-1184-01	Innerbelysning	Inner light		
6	1				1319-1185-01	Kåpa	Cover		
8	2				1319-1186-02	Knopp	Knob		
10	1				082-688-01	Roterande varningsljus	Beacon		
11	1				1319-1111-01	Brytare-spolare	Switch-windscreen wash....		
12	1				1319-1109-01	Brytare-rot.belysning	Switch-beacon		
12	1				1319-1109-01	Brytare-arb.belysning	Switch-worklamps		
13	1				1319-1103-01	Täckpropp	Cover		
14	1				1319-1110-01	Brytare-vindrutetorkare	Switch-wiper washer		
15	1				1319-1107-01	Vippa-spolare	Cover-windscreen wash		
16	1				1319-1108-01	Vippa-rot.varningsljus	Cover-beacon		
17	1				1319-1104-01	Vippa-arb.belysning	Cover-worklamps		
18	1				1319-1106-01	Vippa-vindrutetorkare	Cover-wiper washer		



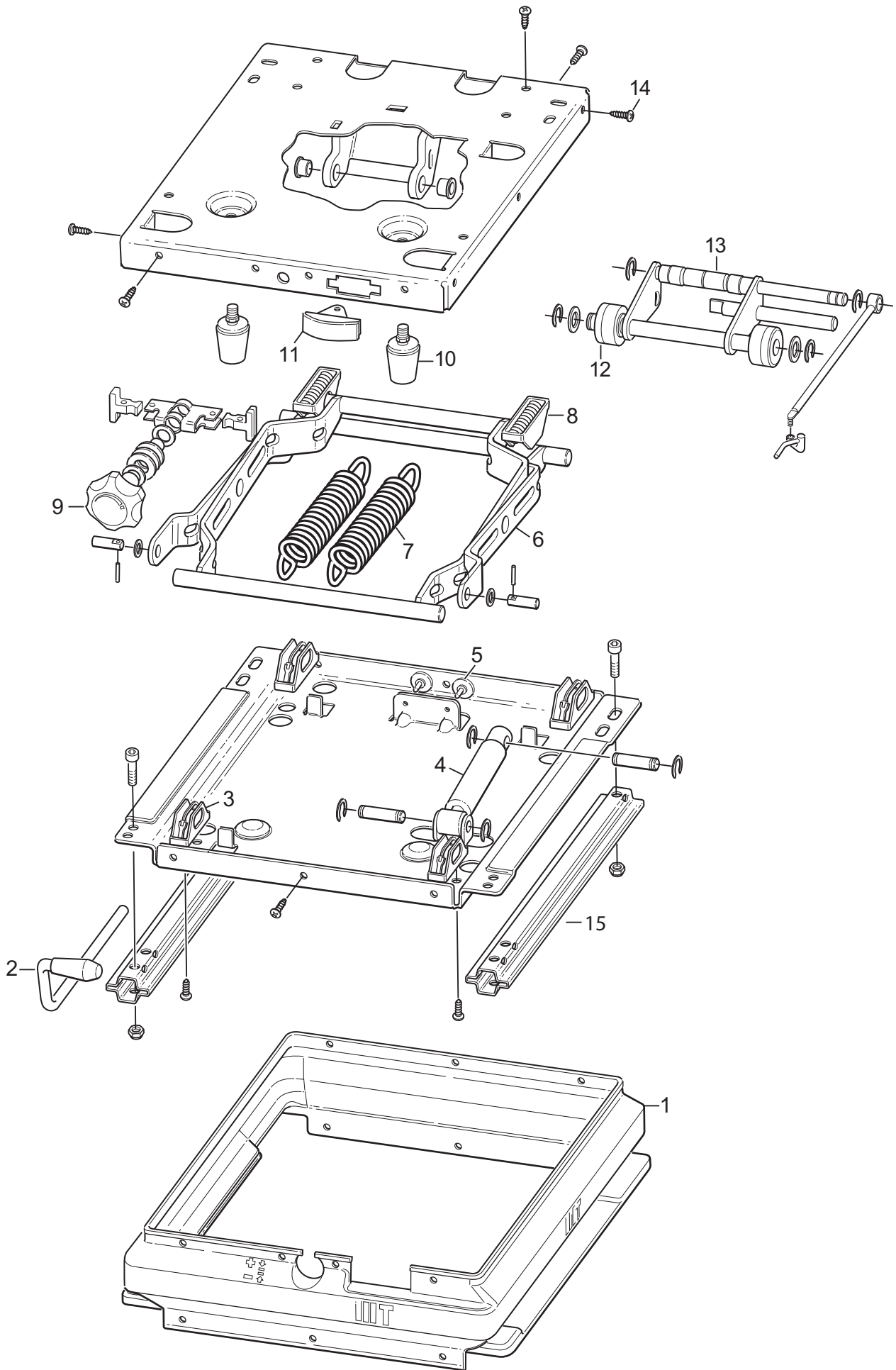
Utgåva Issue		Bildnr Picture No		TITAN AC+VÄRME		AC+HEAT		Sida Page	
2015-11		Q-008						16	
Pos. Fig.	Antal/Quantity				Art nr Part No	Benämning	Description	Sats Kit	Anmärkning Notes
	7462	7460	7461	7462					
1	1				1139-0081-01	Filterstöd.....	REC Filter Support		
2	1				1139-0080-01	REC Filter.....	REC Filter		
3	1				1139-0079-01	Frontfäste.....	Front sheet.....		
4	1				1139-0078-01	Kontrollpanel.....	Control panel.....		
5	1				1139-0077-01	Temp.vakt.....	Electronic thermostwitch		
6	1				1139-0076-01	Värmare.....	Heater		
7	1				1139-0075-01	Fläkt stöd.....	Blower support sheet.....		
8	1				1139-0074-01	Bakre fäste.....	Rear sheet.....		
9	1				1139-0073-01	Fläns.....	Heater flange.....		
10	1				1139-0072-01	Luftintagkanal.....	Air inlet duct.....		
11	1				1139-0071-01	El. vattenventil.....	Electronic water valve.....		
12	1				1139-0070-01	Fläkt.....	Blower.....		



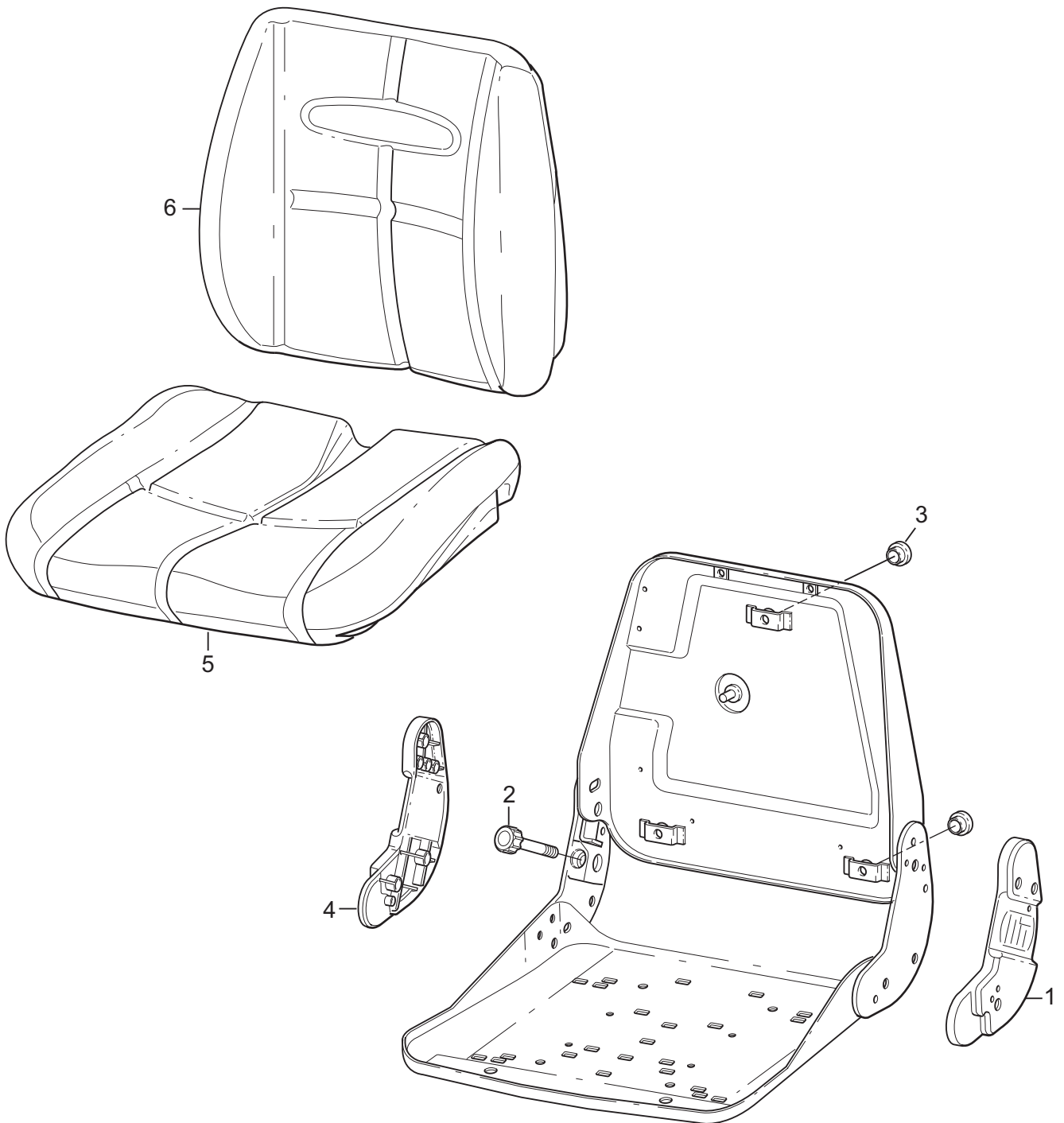
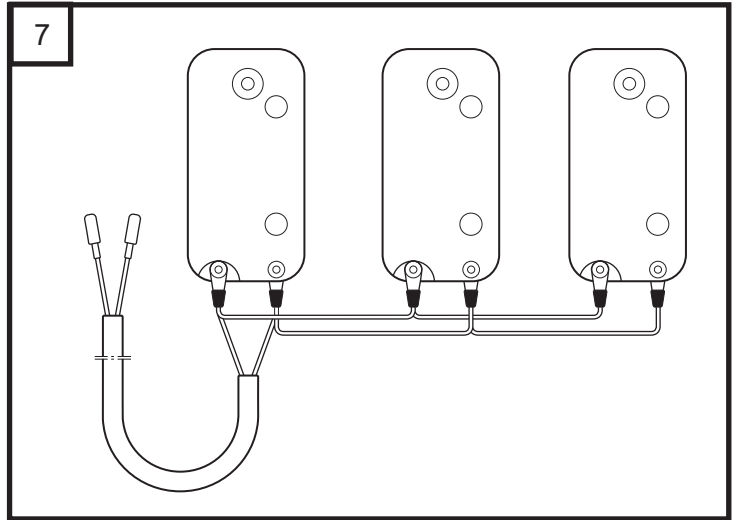
Utgåva Issue		Bildnr Picture No		TITAN REDSKAPSLYFT LIFTING DEVICE			Sida Page		
2015-11		Q-009A					18		
Pos. Fig.	Antal/Quantity				Art nr Part No	Benämning	Description	Sats Kit	Anmärkning Notes
	7462								
1	1				1134-6801-01	Lyftcylinder	Lift cylinder		Stroke = 120 mm
1A	1				1139-2083-01	Tätningssats	Seal kit		
1B	1				080-222-01	Smörjnippel	Grease joint		
2	1				1137-0186-09	Hydraulslang	Hydraulic tube		
3	1				1137-0185-21	Hydraulslang	Hydraulic tube		
8	2				9997-1070-12	Skruv	Screw		
9	2				9747-1031-02	Mutter	Nut		
10	2				1134-6991-01	Sprint	Pin		
11	4				1134-5406-01	Bricka	Washer		
16	1				9599-0101-02	Saxpinne	Cotter pin		
17	2				082-202-01	Skruv	Screw		
18	2				1134-3054-01	Ansatsbricka	Shoulder washer		
19	2				9690-0001-02	Bricka	Washer		
20	2				9747-1631-02	Mutter	Nut		
21	1				1134-7842-01	Låssprint-vä	Lock pin-LH		
22	1				1134-7842-02	Låssprint-vä	Lock pin-RH		
23	3				9501-0500-00	Smörjnippel	Grease joint		
24	1				9997-0860-12	Skruv	Screw		
25	4				9699-0056-02	Bricka	Washer		
26	1				1134-7557-01	Axel	Shaft		
27	2				9747-0831-02	Mutter	Nut		
28	1				9997-0870-16	Skruv	Screw		
29	1				1134-7557-02	Axel	Shaft		
30	1				1135-3306-01	Skruv	Screw		
31	1				1135-3055-01	Bussning	Bushing		
32	1				9690-0002-02	Bricka	Washer		
33	1				9747-2031-02	Mutter	Nut		
34	1				1135-4092-01	Bakstycke	Rear plate		
35	1				1135-3003-01	Redskapsfäste	Implement attachment		



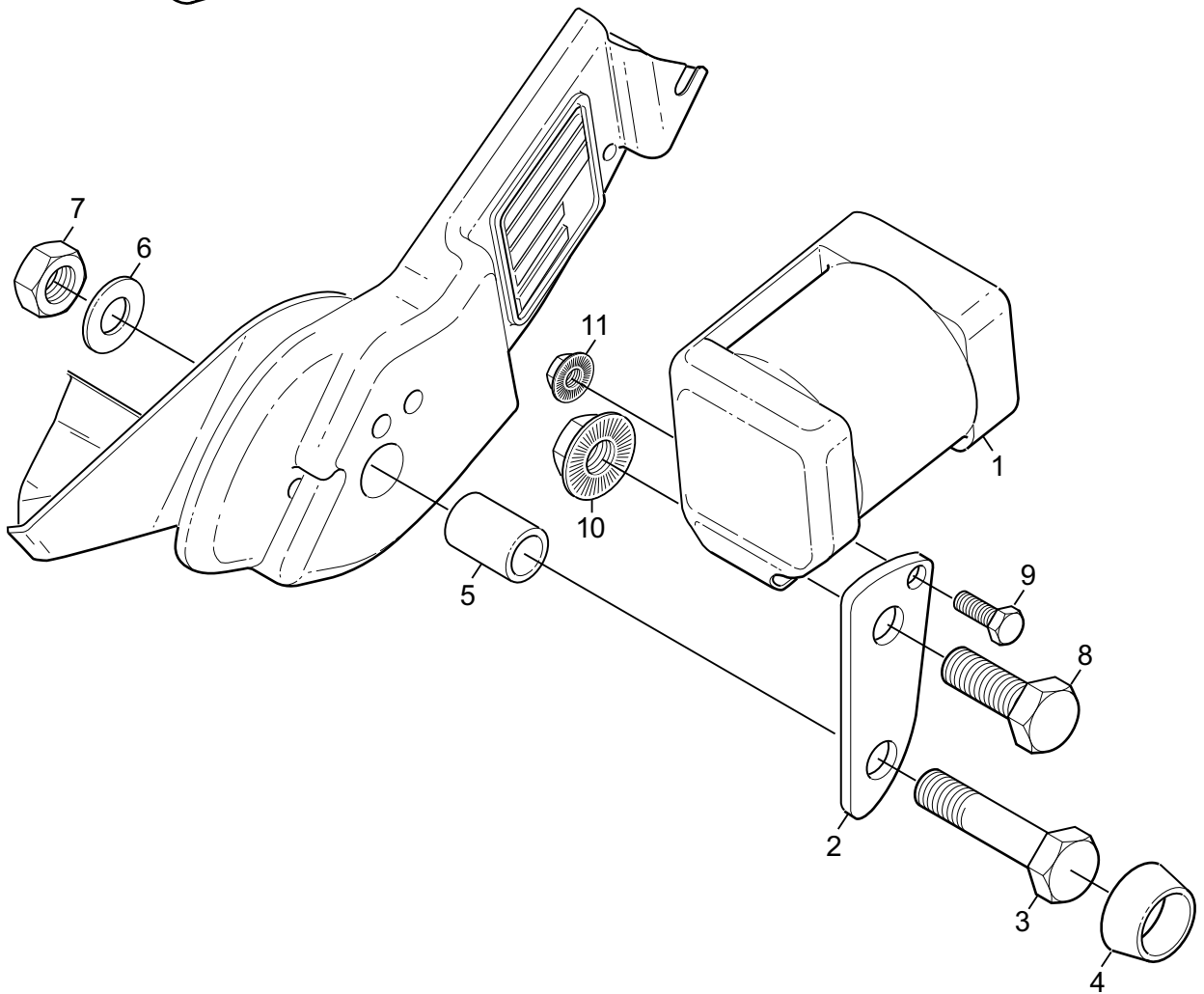
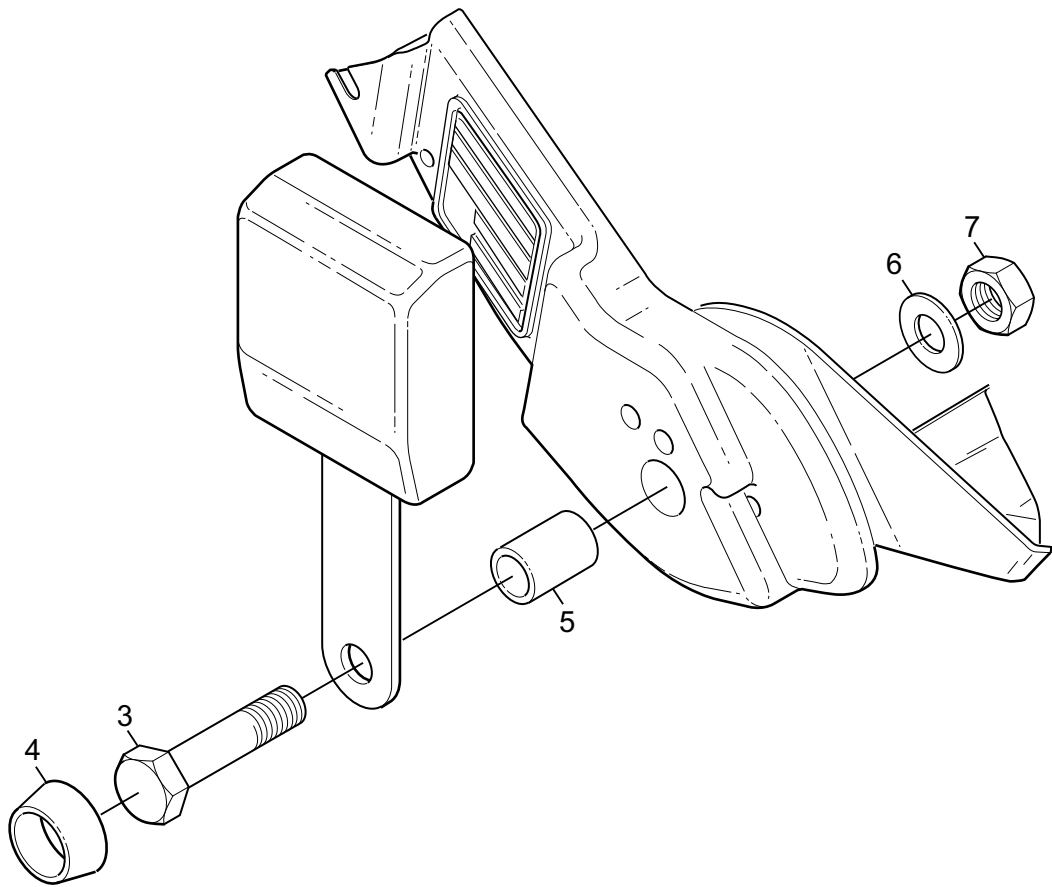
Utgåva Issue		Bildnr Picture No		TITAN SITS		SEAT		Sida Page	
2015-11		Q-035						20	
Pos. Fig.	Antal/Quantity				Art nr Part No	Benämning	Description	Sats Kit	Anmärkning Notes
	7462								
1	1				1137-0691-01	AC-Låda	AC- Box		
19	4				9830-0816-01	Skruv.....	Screw		
20	1				1134-7215-01	Sits	Seat.....		
20A	1				1134-7532-01	Armstöd-vä.....	Arm rest-LH.....		
20B	1				1134-7532-02	Armstöd-hö.....	Arm rest-RH.....		
21	4				9930-0820-16	Skruv.....	Screw.....		
22	4				9739-0831-22	Mutter	Nut.....		
23	1				1134-7258-01	Nackstöd.....	Neck support		



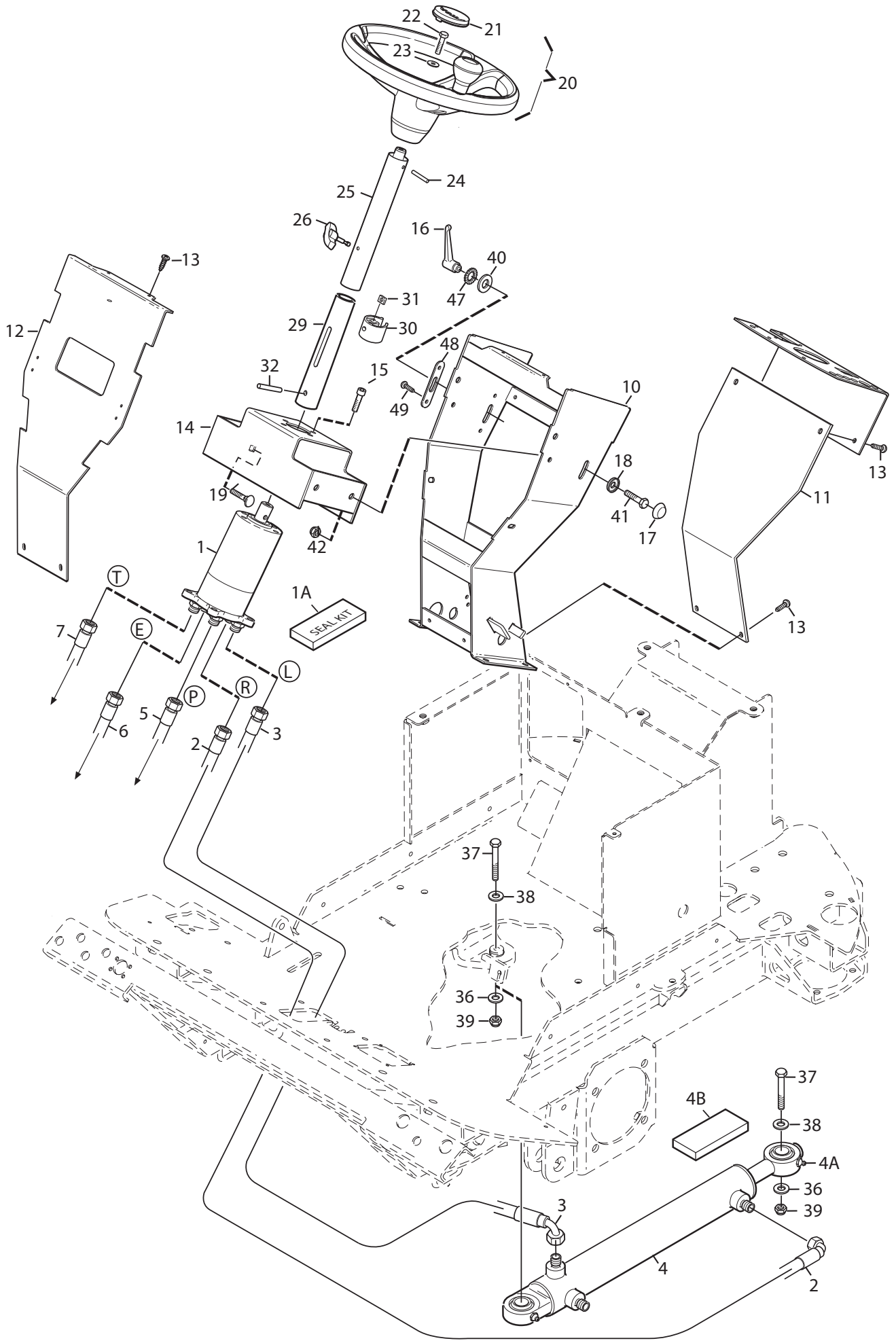
Utgåva Issue		Bildnr Picture No		TITAN SITS		SEAT		Sida Page	
2015-11		Q-011						22	
Pos. Fig.	Antal/Quantity				Art nr Part No	Benämning	Description	Sats Kit	Anmärkning Notes
	7462	7460	7461	7462					
1	1				1139-0033-01	Gummiskydd	Rubber cover		
2	1				1139-0031-01	Inställningsspak	Adjustment lever		
3	2				1139-0025-01	Pivofäste	Pivot bracket		
4	1				1139-0028-01	Sitsdämpare	Seat damper		
5	2				1139-0023-01	Fäste	Bracket		
6	1				1139-0032-01	Fjäderarm	Spring frame		
7	2				1139-0029-01	Fjäder	Spring		
8	4				1139-0026-01	Pivofäste	Pivot bracket		
9	1				1139-0034-01	Justerratt	Adjusting knob		
10	2				1139-0017-01	Gummidämpare	Rubber damper		
11	1				1139-0027-01	Lins	Lens		
12	2				1139-0022-01	Distans	Spacer		
13	2				1139-0024-01	Axel	Shaft		
14	19				1139-0030-01	Skruv	Screw		
15	1				1139-0069-01	Ledskena	Bracket		



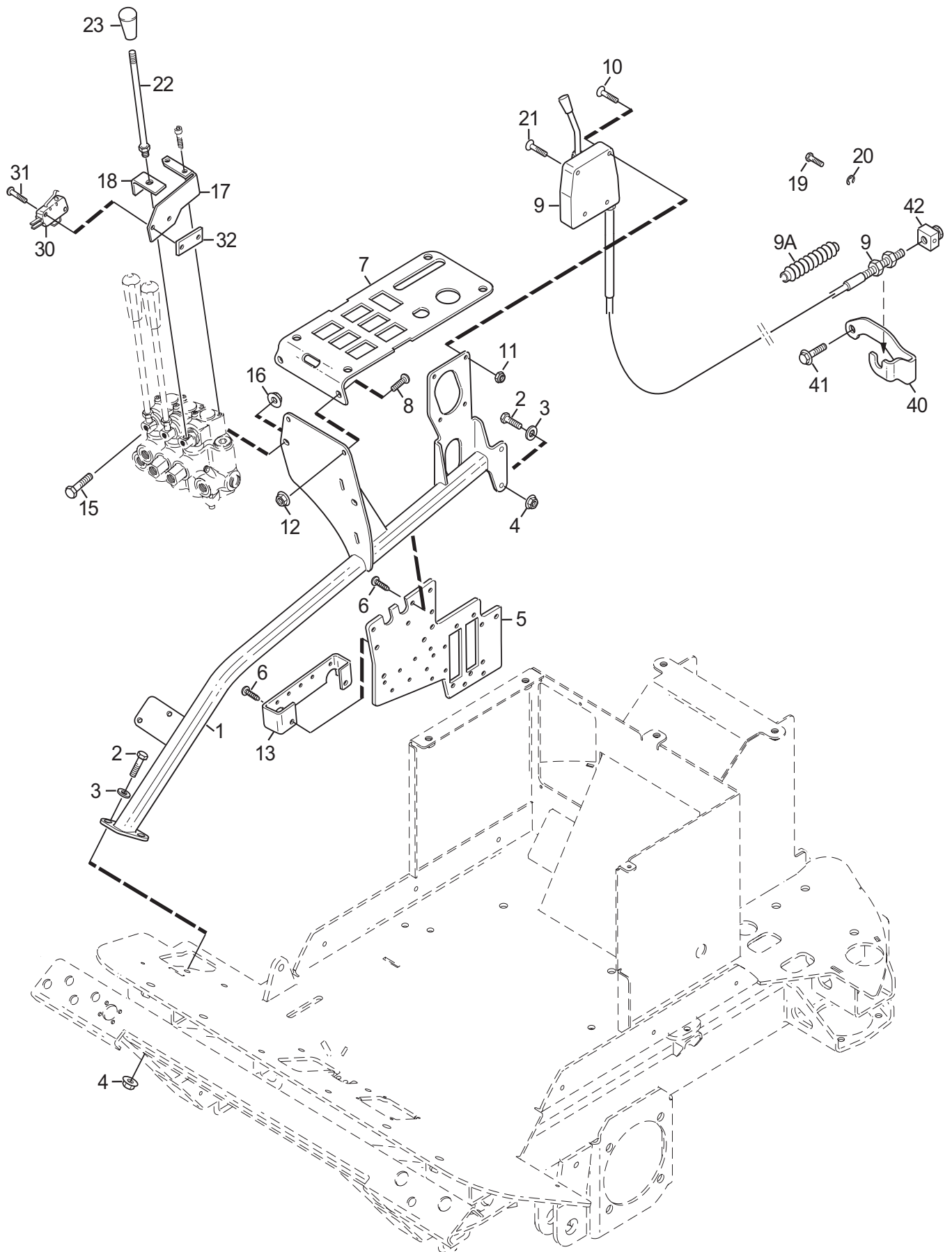
Utgåva Issue 2015-11		Bildnr Picture No Q-011A		TITAN SITS SEAT			Sida Page 24		
Pos. Fig.	Antal/Quantity				Art nr Part No	Benämning	Description	Sats Kit	Anmärkning Notes
	7462								
1	1				1139-0021-01	Beslag-vä	Bracket-LH		
2	1				1139-0019-01	Justerratt	Adjustment knob		
3	3				1139-0018-01	Plugg.....	Plug		
4	1				1139-0020-01	Beslag-hö	Bracket-RH		
5	1				1139-0036-01	Sitsdyna	Bottom seat		
6	1				1139-0035-01	Ryggstöd	Back rest.....		
7	1				1139-0037-01	Sitsbrytare.....	Seat switch		



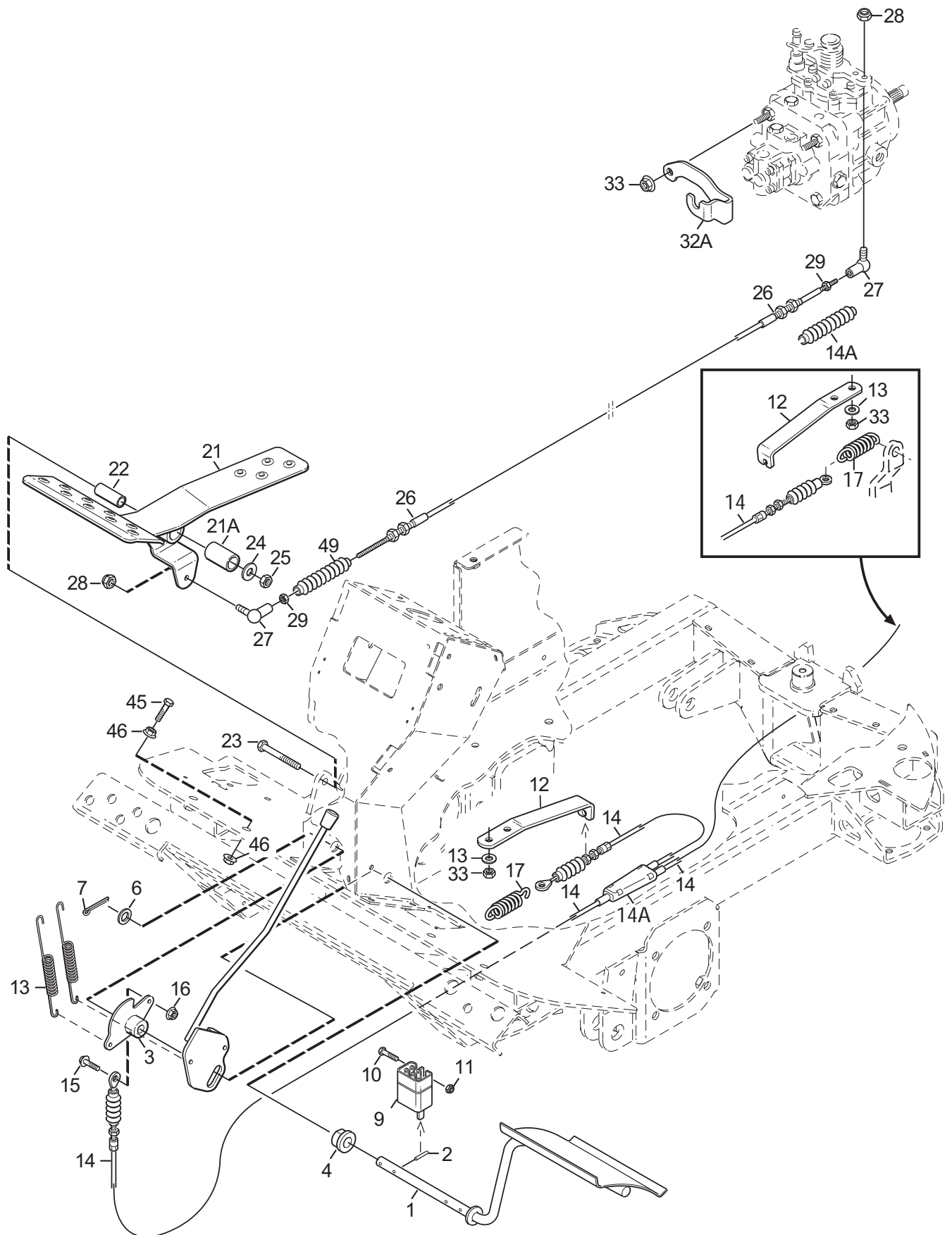
Utgåva Issue		Bildnr Picture No		TITAN SÄKERHETSÅLÅTE			SEAT BELT		Sida Page	
2015-11		Q-012							26	
Pos. Fig.	Antal/Quantity				Art nr Part No	Benämning	Description	Sats Kit	Anmärkning Notes	
	7462									
1	1				1134-7604-01	Säkerhetsbälte.....	Seat belt.....			
2	1				1135-3538-01	Fästplåt	Bracket			
3	2				9997-1040-12	Skruv.....	Screw.....			
4	2				1139-0038-01	Mutterhatt	Nut cover.....			
5	2				1139-0039-01	Distans	Spacer.....			
6	2				9699-0035-02	Bricka	Distans.....			
7	2				9798-1031-02	Mutter	Nut			
8	1				9997-1020-16	Skruv.....	Screw.....			
9	1				9997-0620-16	Skruv.....	Screw.....			
10	1				9739-1031-22	Mutter	Nut			
11	1				9739-0631-22	Mutter	Nut			



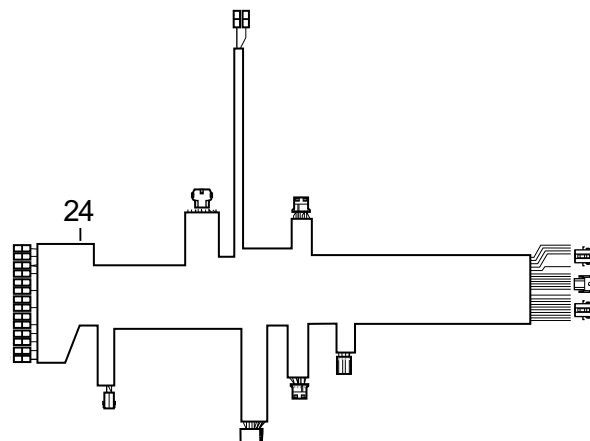
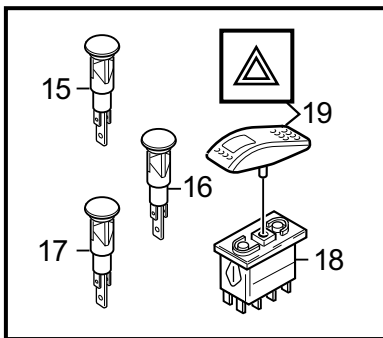
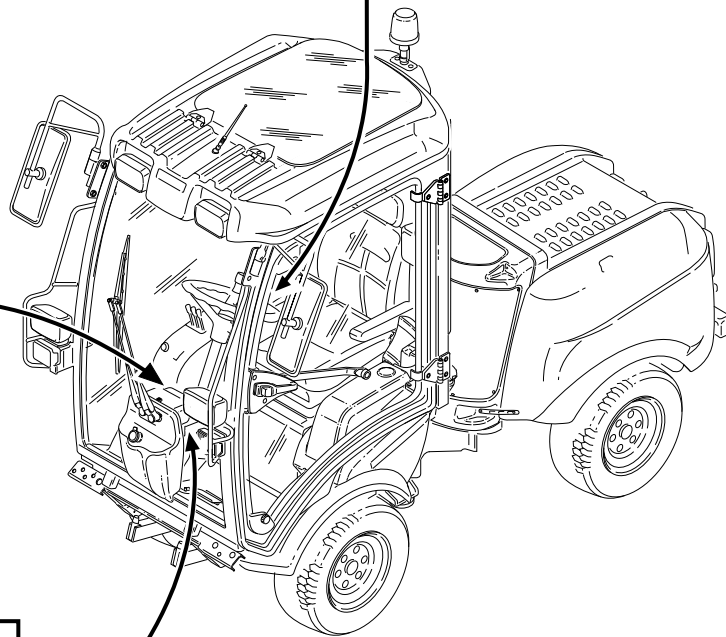
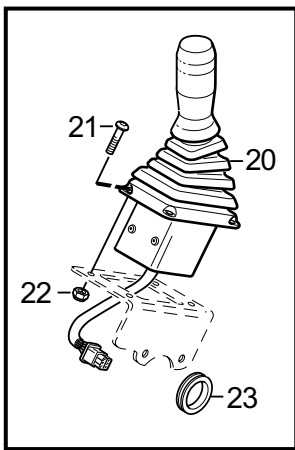
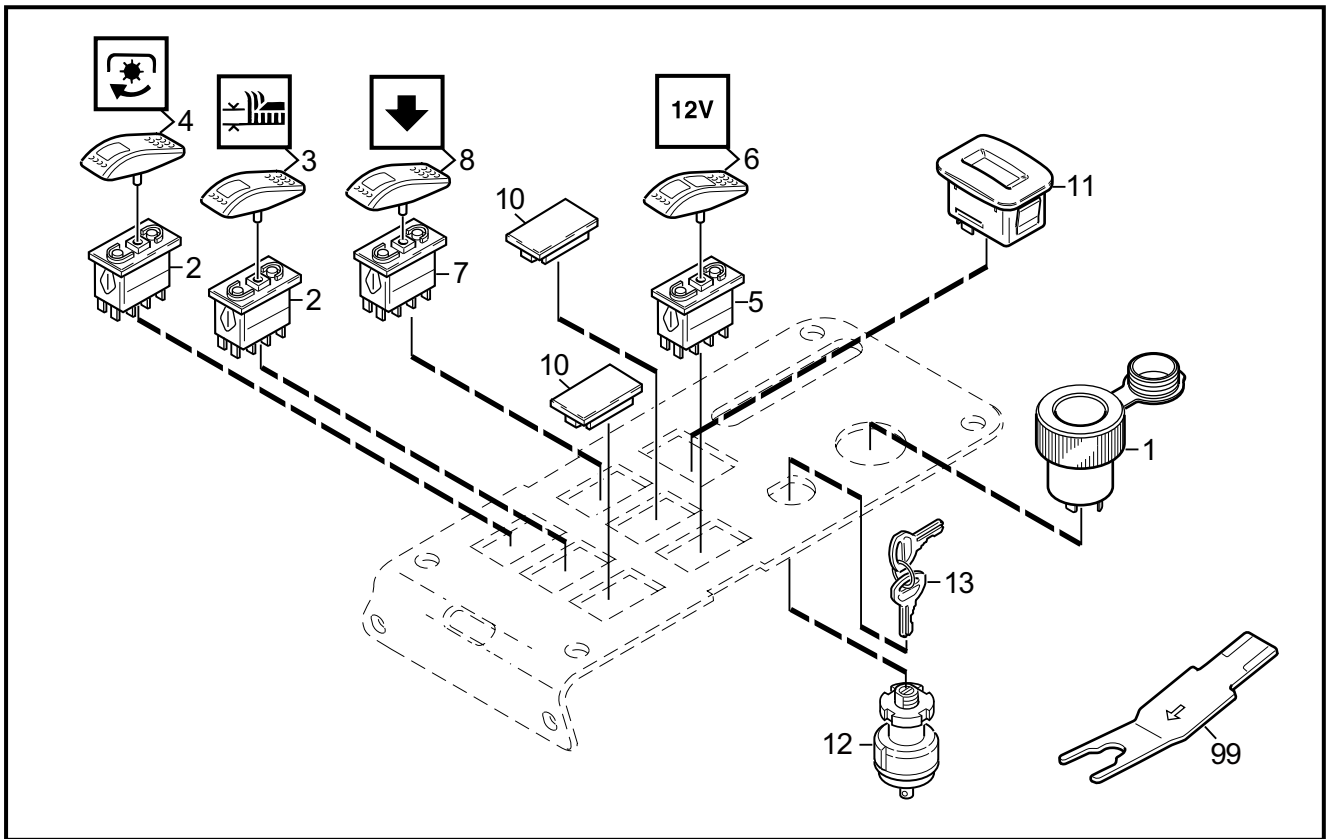
Utgåva Issue		Bildnr Picture No		TITAN STYRNING			STEERING		Sida Page	
2013-11		Q-013A							28	
Pos. Fig.	Antal/Quantity				Art nr Part No	Benämning	Description	Sats Kit	Anmärkning Notes	
	7462									
1	1			1134-7214-01	Styrervo.....	Steering booster.....				
1A	1			1139-2081-01	Tätningssats.....	Seal kit.....				
2	1			1137-0185-13	Hydraulslang.....	Hydraulic tube.....				
3	1			1137-0186-08	Hydraulslang.....	Hydraulic tube.....				
4	1			1135-2808-01	Styrcylinder.....	Steering cylinder.....				
4A	1			9501-0500-00	Smörjnippel.....	Grease joint.....				
4B	1			1139-2083-01	Tätningssats.....	Seal kit.....				
5	1			1137-0195-03	Hydraulslang.....	Hydraulic tube.....				
6	1			1137-0196-05	Hydraulslang.....	Hydraulic tube.....				
7	1			1137-0196-02	Hydraulslang.....	Hydraulic tube.....				
10	1			1137-0667-01	Styrkonsol.....	Steering bracket.....				
11	1			1134-7198-01	Bakstycke.....	Rear plate.....				
12	1			1137-0670-02	Plåt, främre.....	Front plate.....				
13	8			9893-0616-16	Skruv.....	Screw.....				
14	1			1134-6995-01	Fäste-styrervo.....	Bracket.....				
15	4			9959-0816-16	Skruv.....	Screw.....				
16	1			1134-7123-01	Låsspak.....	Locking lever.....				
17	3			9403-0053-01	Hatt.....	Cover cap.....				
18	3			9400-0052-01	Hattbricka.....	Cap ring.....				
19	1			9897-0820-16	Skruv.....	Screw.....				
20	1			337961200/0	Ratt kpl.....	Steering wheel assy.....				
21	1			337580550/0	Rattnav.....	Steering plate.....				
22	1			112793102/0	Skruv.....	Screw.....				
23	1			112583500/0	Låsbricka.....	Lock washer.....				
24	1			112620299/0	Spännstift.....	Locatin pin.....				
25	1			387520101/0	Rattstång.....	Steering column.....				
26	1			337394201/0	Knopp.....	Knob.....				
29	1			1134-5216-01	Rattrör inre.....	Steering tube-inner.....				
30	1			1134-5177-01	Slid.....	Slide.....				
31	1			9710-0631-12	Fyrkantmutter.....	Square nut.....				
32	1			9595-0258-01	Spännstift.....	Locating pin.....				
33	1			1134-4481-02	Vingmutter.....	Wing nut.....				
34	1			9997-0630-12	Skruv.....	Screw.....				
36	2			9690-0003-02	Bricka.....	Washer.....				
37	2			9997-0860-12	Skruv.....	Screw.....				
38	2			9699-0056-02	Bricka.....	Washer.....				
39	2			9747-0831-02	Mutter.....	Nut.....				
40	1			9699-0090-02	Bricka.....	Washer.....				
41	3			9959-0816-16	Skruv.....	Screw.....				
42	3			9739-0831-22	Mutter.....	Nut.....				
47	1			081-470-01	Låsbricka.....	Lock washer.....				
48	1			1135-2514-01	Slitplåt.....	Wear plate.....				
49	1			9893-0616-16	Skruv.....	Screw.....				
52	4			9893-0616-16	Skruv.....	Screw.....				



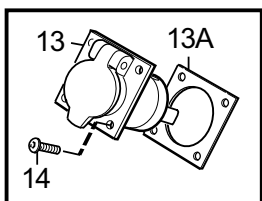
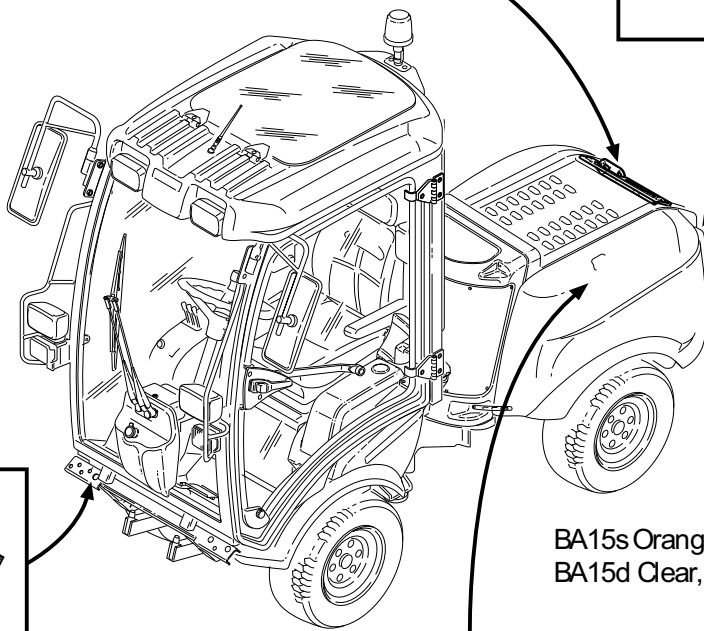
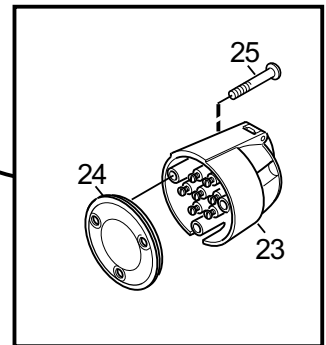
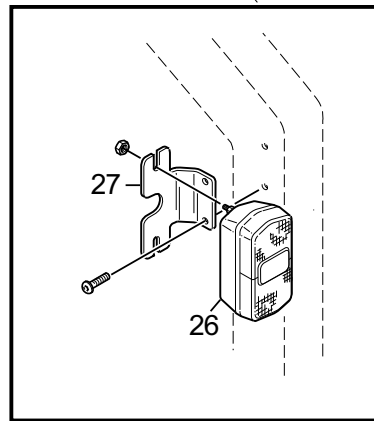
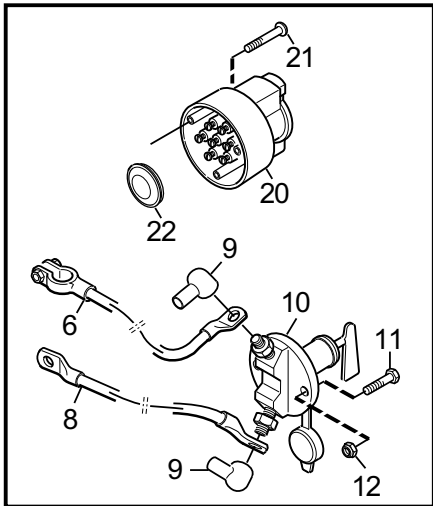
Utgåva Issue		Bildnr Picture No		TITAN HANDREGLAGE HAND CONTROLS			Sida Page		
2015-11		Q-014					30		
Pos. Fig.	Antal/Quantity				Art nr Part No	Benämning	Description	Sats Kit	Anmärkning Notes
	7462								
1	1				1135-2577-01	Reglagefäste	Control attachment.....		
2	4				9959-0820-16	Skruv.....	Screw.....		
3	4				9699-0056-02	Bricka	Washer.....		
4	4				9739-0831-22	Mutter	Nut.....		
5	5				1135-3614-01	Samplingsplatta	Collecting plate		
6	4				9893-0616-16	Skruv.....	Screw.....		
7	1				1137-0698-01	Instrumentpanel	Control panel.....		
8	2				9959-0616-16	Skruv.....	Screw.....		
9	1				1134-7257-04	Gasreglage	Throttle control		
9A	1				1135-3948-01	Gummibälg.....	Rubber protection.....		
10	3				9946-0525-16	Skruv.....	Screw.....		
11	1				9747-0531-02	Mutter	Nut.....		
12	2				9747-0631-01	Mutter	Nut.....		
13	1				1135-3616-01	Reläkonsol	Relay bracket		
14	1				1137-0641-01	Handspaksventil	Hydraulic valve		
15	2				9997-0645-12	Skruv.....	Screw.....		
16	2				9739-0631-02	Mutter	Mutter.....		
17	1				1134-7474-01	Brytarhållare.....	Switch bracket.....		
18	1				1135-3127-01	Brytarm.....	Switch lever		
19	2				9997-0416-16	Skruv.....	Screw.....		
20	1				9652-0007-04	Spårryttare	Circlip		
21	3				9946-0525-16	Skruv.....	Screw.....		
22	3				1135-2497-01	Spak	Lever		
23	3				1135-2498-01	Knopp	Lever		
30	1				9400-0360-01	Microbrytare	Micro switch		
31	2				9840-7716-16	Skruv.....	Screw.....		
40	1				1137-0563-01	Gaswirefäste	Bracket		
41	2				9959-0616-16	Skruv.....	Screw.....		



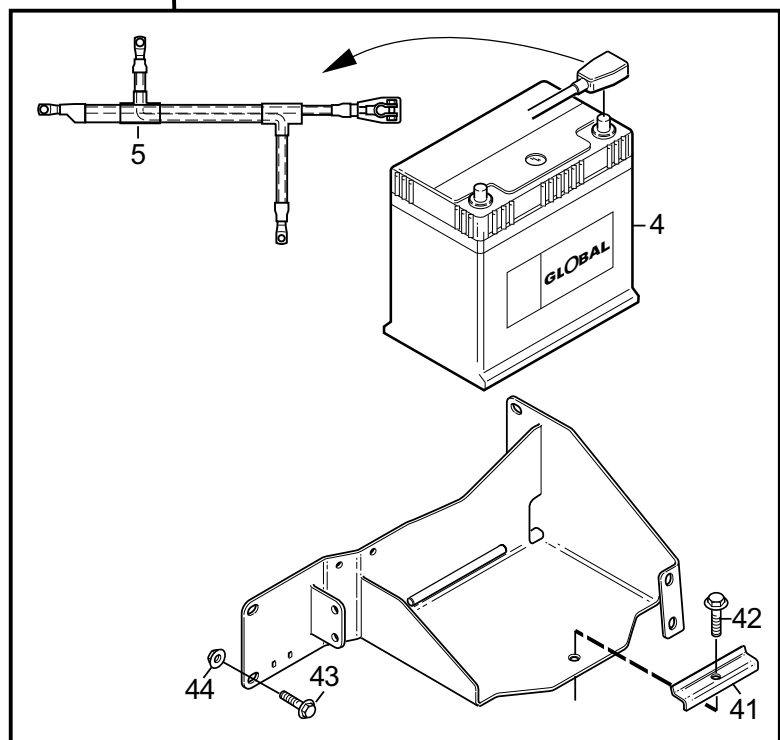
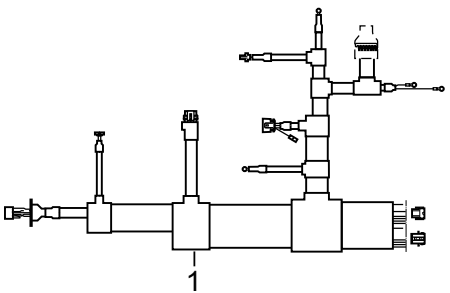
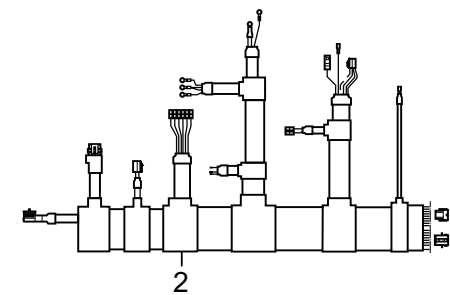
Utgåva Issue		Bildnr Picture No		TITAN FOTREGLAGE FOOT CONTROLS			Sida Page		
2015-11		Q-015					32		
Pos. Fig.	Antal/Quantity				Art nr Part No	Benämning	Description	Sats Kit	Anmärkning Notes
	7462								
1	1				1134-7267-03	Bromspedal.....	Brake pedal		
2	3				9595-0210-00	Spännstift.....	Locating pin		
3	1				1137-0706-01	Bromsarm	Brake lever		
4	2				1134-6313-01	Lager.....	Bearing		
5	1				1137-0702-01	Bromsspärr	Brake lock		
6	1				9699-0036-02	Bricka	Washer.....		
7	1				9599-0080-02	Saxpinne	Cotter pin		
8	2				1134-7401-01	Fjäder.....	Spring		
9	1				1134-3999-01	Brytare	Switch		
10	2				9997-0520-16	Skruv.....	Screw.....		
11	2				9747-0531-02	Mutter	Nut.....		
12	4				1137-0589-01	Bromswirefäste.....	Brake cable bracket.....		
13	8				9930-0816-16	Skruv.....	Screw.....		
14	2				1137-1040-01	Bromswire	Brake cable		
14A	2				1135-3948-01	Gummibälg.....	Rubber protection.....		
15	1				9997-0525-16	Skruv.....	Screw.....		
16	1				9747-0531-02	Mutter	Nut.....		
17	4				1134-7321-01	Dragfjäder.....	Spring		
21	1				1134-7216-02	Fartpedal.....	Drive pedal		
21A	1				9548-0027-01	Glidlager	Bearing		
22	1				1134-7217-01	Distans	Spacer.....		
23	1				999-1050-12	Skruv.....	Screw.....		
24	1				9699-0030-02	Bricka	Washer.....		
25	1				1134-4775-01	Mutter	Nut.....		
26	1				1134-7054-03	Reglagekabel	Control cable		Inkl. pos 29
27	2				9570-0004-00	Vinkellänk.....	Elbow link		
28	2				9747-0631-02	Mutter	Nut.....		
29	2				9739-0631-22	Mutter	Nut.....		
32	1				1137-0564-01	Fäste.....	Bracket		
33	2				9747-1231-02	Mutter	Nut.....		



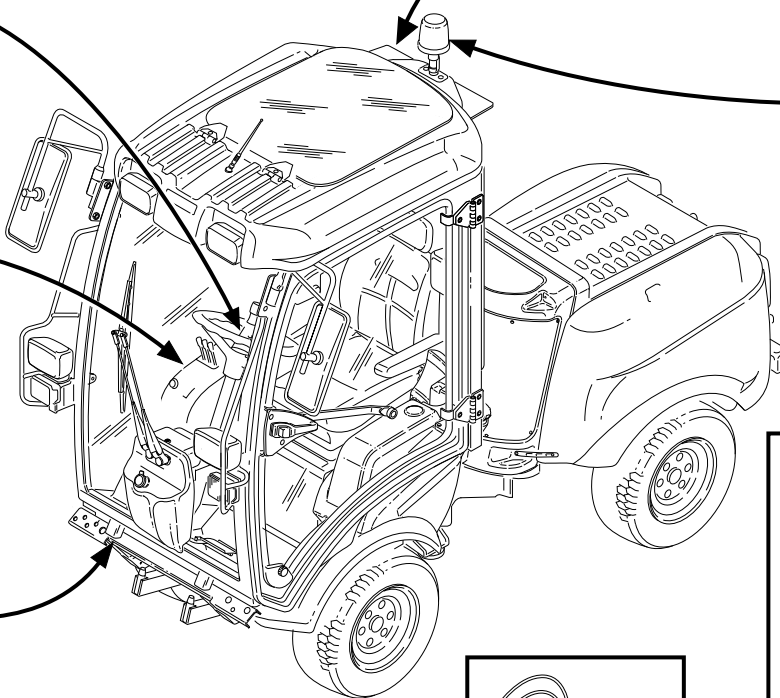
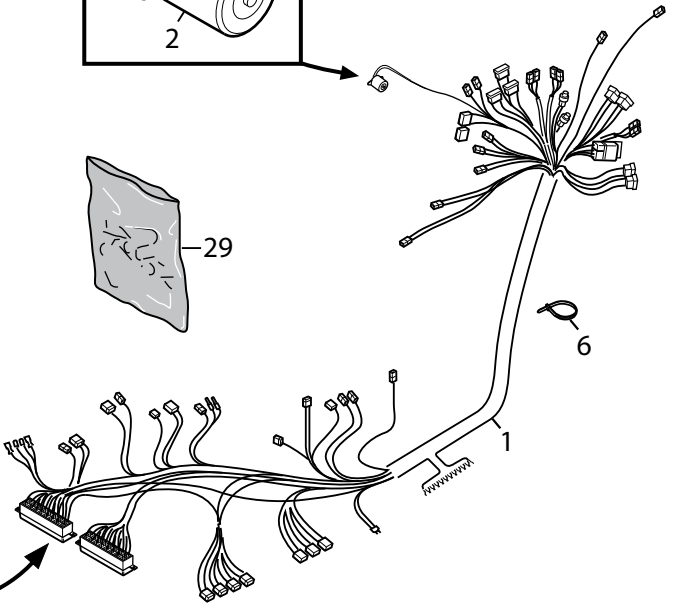
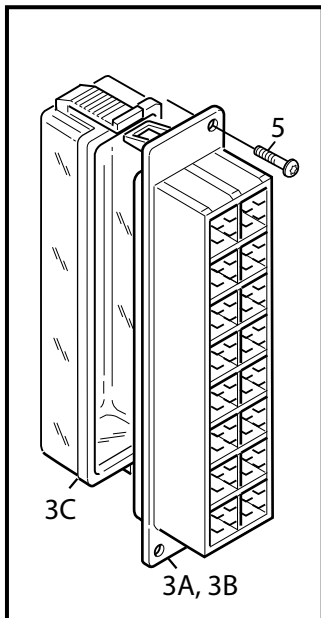
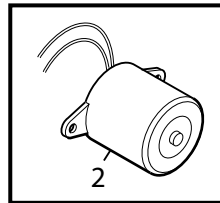
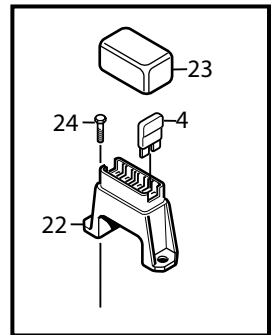
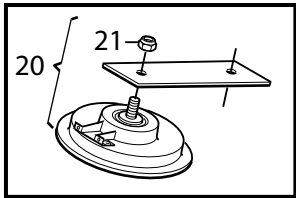
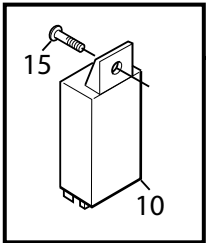
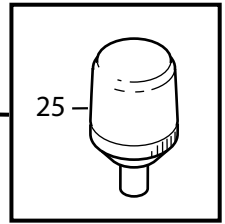
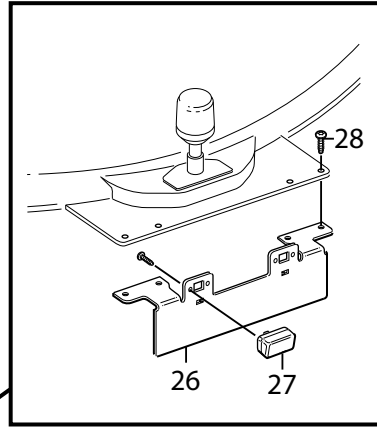
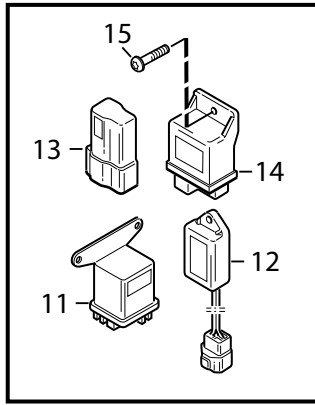
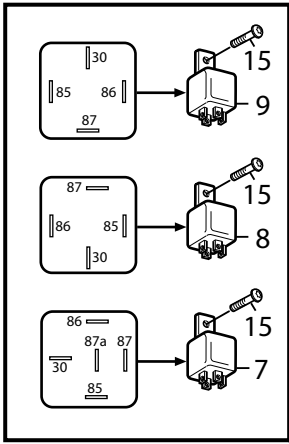
Utgåva Issue 2013-11		Bildnr Picture No Q-016		TITAN ELSYSTEM 1 ELECTRICAL SYSTEM 1			Sida Page 34		
Pos. Fig.	Antal/Quantity				Art nr Part No	Benämning	Description	Sats Kit	Anmärkning Notes
	7462								
1	1				9400-0317-02	Eluttag.....	Socket.....		
2	2				9400-0282-01	Brytare	Switch		
3	1				9400-0280-03	Vippa.....	Switch cover.....		Höjd.inst/Height. adjust
4	1				9400-0343-01	Vippa.....	Switch cover.....		PTO
5	1				9400-0321-01	Brytare	Switch		
6	1				9400-0322-01	Vippa.....	Switch cover.....		12V
7	1				9400-0283-01	Brytare	Switch		
8	1				9400-0280-08	Vippa.....	Switch cover.....		V.ventil/Selector valve
10	2				1134-4129-01	Täckbricka	Cover.....		
11	1				1134-6097-02	Timräknare.....	Hour meter		
12	1				1135-2754-01	Tändningslås.....	Ignition key		Incl. Keys
13	1				1135-2505-01	Startnyckel	Starter key		
15	3				9400-0320-01	Kontrollampa-röd	Pilot lamp-red.....		
16	2				9400-0346-01	Kontrollampa-blink röd.....	Pilot lamp-flashing red.....		
17	1				9400-0320-03	Kontrollampa-grön	Pilot lamp-green.....		
18	1				9400-0345-01	Brytare	Switch		Varningsblinkers/hazard
19	1				9400-0343-02	Vippa.....	Switch cover.....		Varningsblinkers/hazard
20	1				9400-0336-01	Ljuskontrollarm	Light control switch		
21	4				9997-0416-16	Skruv.....	Screw.....		
22	4				9747-0421-02	Mutter	Nut.....		
23	1				9400-0340-01	Kabelgenomföring.....	Grommet		
24	1				1137-0817-01	Kablage	Kablage		Styrkonsol/Steering bracket



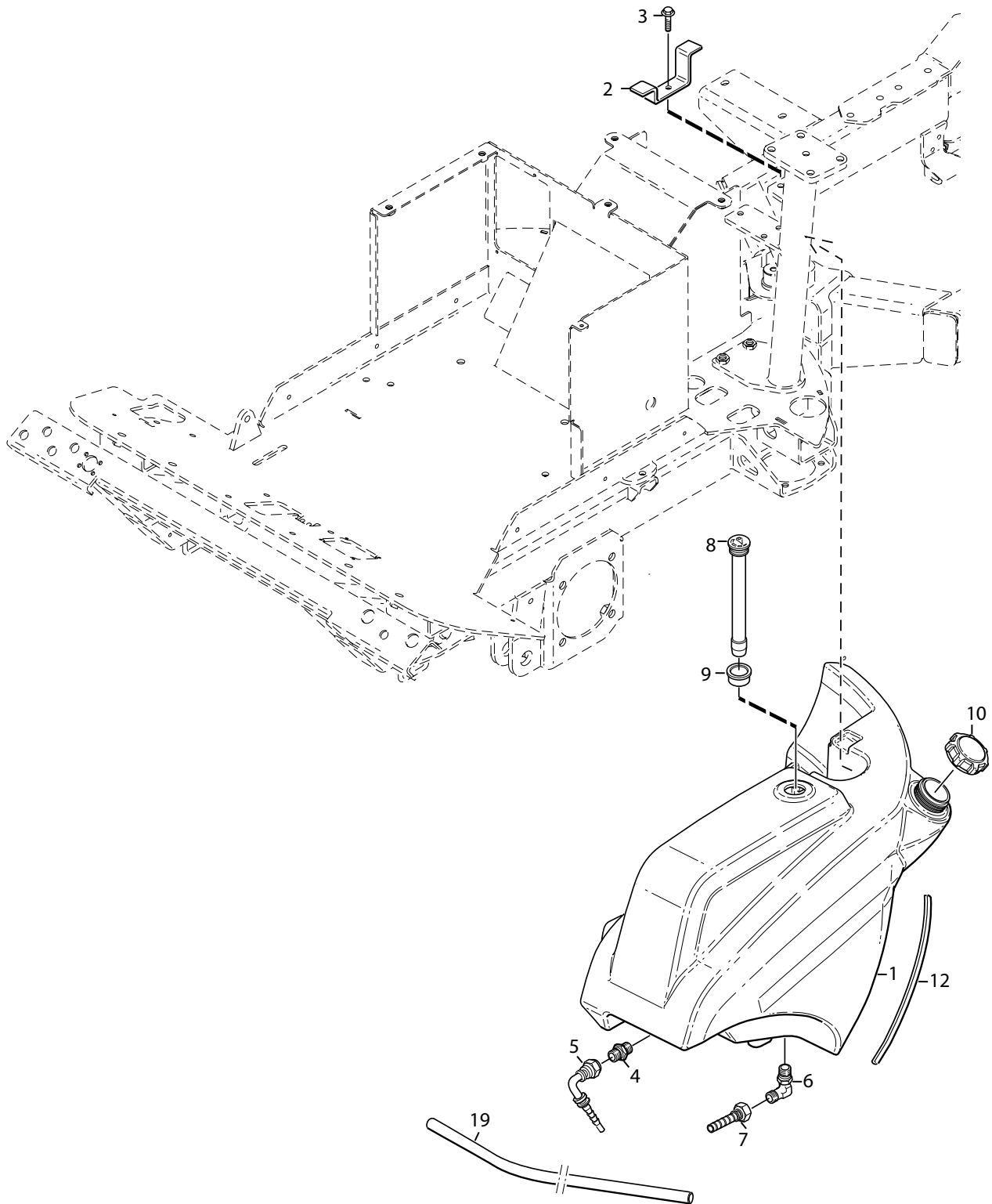
BA15s Orange, 12V, 21W
BA15d Clear, 12V, 5/21W



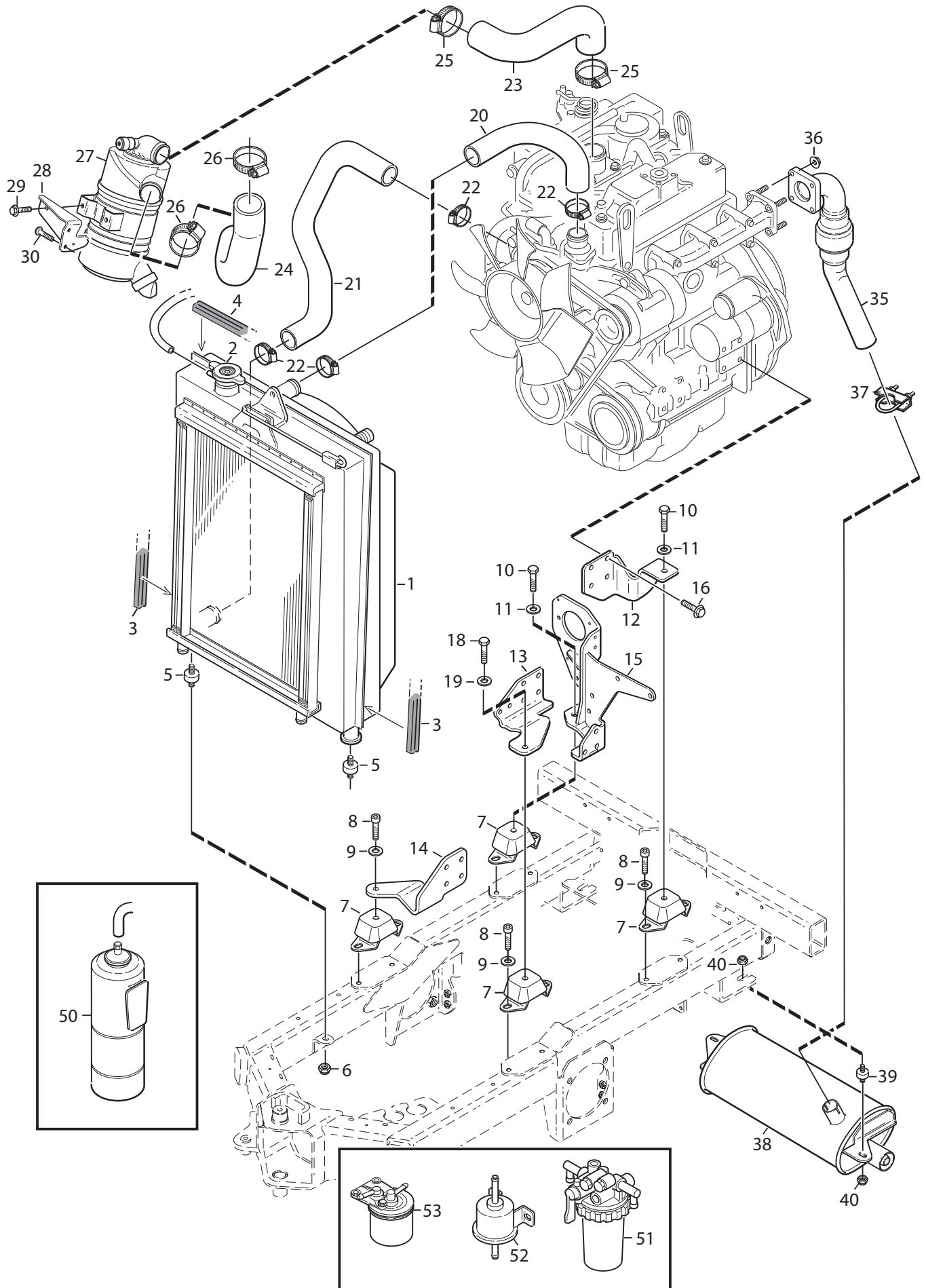
Utgåva Issue 2013-11		Bildnr Picture No Q-017		TITAN ELSYSTEM 2 ELECTRICAL SYSTEM 2			Sida Page 38		
Pos. Fig.	Antal/Quantity				Art nr Part No	Benämning	Description	Sats Kit	Anmärkning Notes
	7452								
1	1				1137-0661-01	Kablage bak-vä.....	Harness rear-LH.....		
2	1				1137-0662-01	Kablage bak-hö.....	Harness rear-RH.....		
4	1				1134-7203-01	Batteri	Battery		
5	1				1137-0663-01	Batterikablage +	Battery Harness +.....		
6	1				1134-7237-02	Kabel -	Cable -		
9	2				085-0274-01	Polskydd	Insulator		
10	1				9400-0316-01	Huvudströmbrytare.....	Main switch.....		
11	2				9959-0616-16	Skruv.....	Screw.....		
12	2				9739-0631-22	Mutter	Nut.....		
13	1				1134-7535-01	Honkontakt	Female terminal		
13A	1				1134-6318-01	Tätning.....	Seal.....		
14	2				9840-7716-16	Skruv.....	Screw.....		
20	1				9400-0347-01	Stickdosa.....	Socket.....		
21	3				9947-0540-19	Skruv.....	Screw		
22	1				9403-0056-01	Membrangenomföring.....	Grommet		
23	1				084-036-01	Stickdosa.....	Socket.....		
24	1				084-464-01	Kabelgenomföring.....	Grommet		
25	3				9946-0525-16	Skruv.....	Screw.....		
26	2				9400-0382-01	Baklampa.....	Rear lamp		
27	2				1137-0726-01	Fäste baklampa.....	Bracket		
28	2				9893-0616-16	Skruv.....	Screw.....		
40	1				1137-0509-01	Batterihållare	Battery holder.....		
41	1				1134-6943-01	Batteriklämma	Battery clamp.....		
42	1				9959-0820-16	Skruv.....	Screw.....		
43	4				9959-0816-16	Skruv.....	Screw.....		
44	4				9747-0831-02	Mutter	Nut.....		



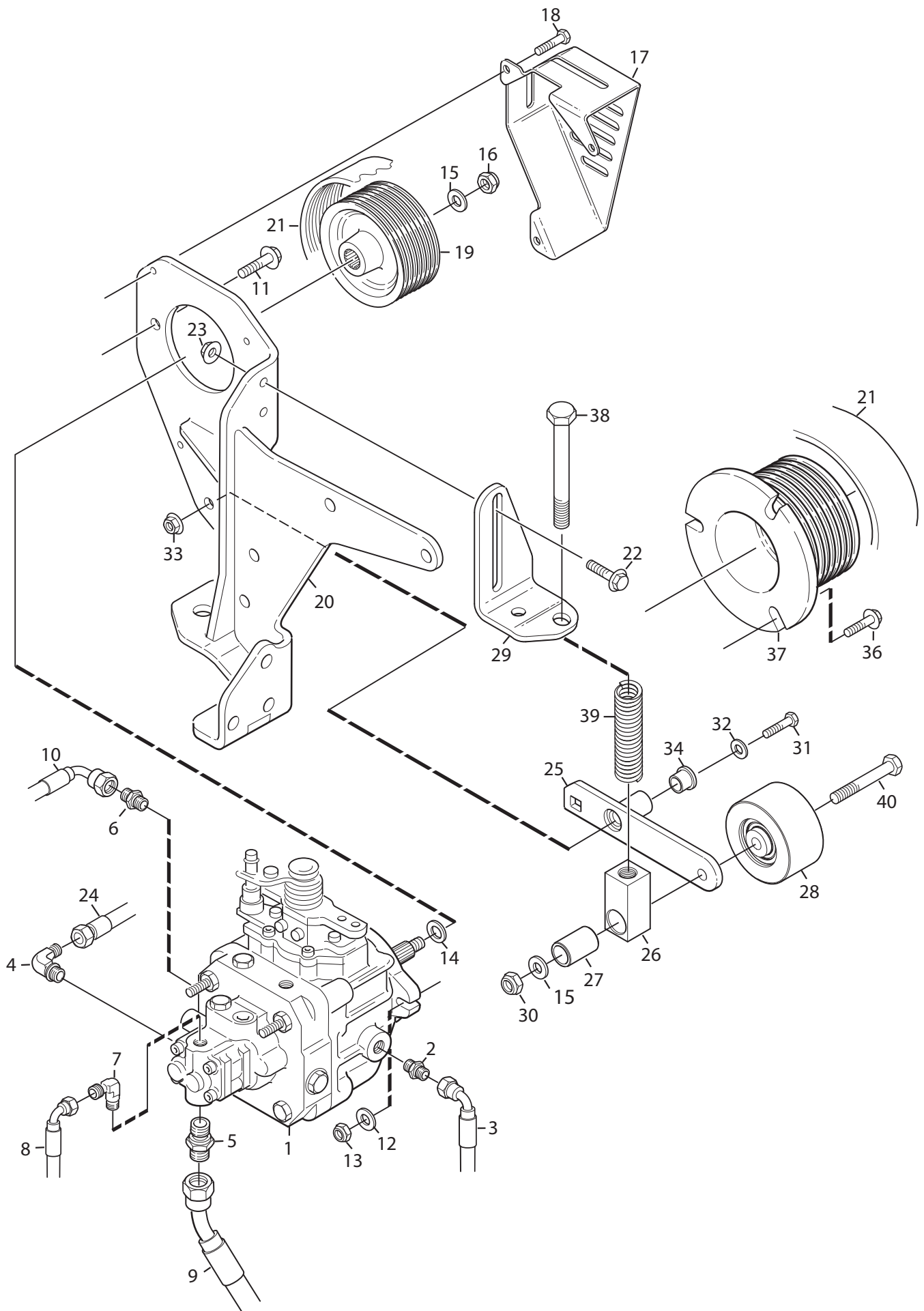
Utgåva Issue		Bildnr Picture No		TITAN ELSYSTEM 3			ELECTRICAL SYSTEM 3		Sida Page	
2015-11		Q-018							38	
Pos. Fig.	Antal/Quantity				Art nr Part No	Benämning	Description	Sats Kit	Anmärkning Notes	
	7462									
1	1				1137-0660-01	Kablage kpl.....	Cable harness			
2	1				1134-7530-01	Summer.....	Beeper			
3A	1				9400-0342-01	Säkringshållare	Fuse holder		Svart/Black Grön/Green	
3B	1				9400-0342-02	Säkringshållare	Fuse holder			
3C	2				9400-0350-01	Lock för säkringshållare	Cover for fuse holder			
4	1				1134-3496-08	Säkring	Fuse		40A	
4	4				1134-3496-07	Säkring	Fuse		30A	
4	3				1134-3496-04	Säkring	Fuse		20A	
4	4				1134-3496-01	Säkring	Fuse		10A	
5	7				9943-0516-01	Skruv.....	Screw.....			
6	5				9579-0003-00	Buntband.....	Cable holder			
7	1				1134-2871-03	Relä.....	Relay			
8	1				1135-2748-01	Relä.....	Relay			
9	1				1134-2871-01	Relä.....	Relay			
10	1				9400-0337-01	Blinkersrelä.....	Flashing relay.....			
11	1				1134-2748-01	Relä-bränsleventil	Relay-flash valve			
12	1				1135-2749-01	Timer	Timer			
13	1				1135-2747-01	Diod	Diode.....			
14	1				1135-2753-01	Kontrollenhet.....	Control unit			
15	12				9893-0616-16	Skruv.....	Screw.....			
20	1				082-564-01	Signalhorn.....	Horn			
21	1				9747-0631-02	Mutter	Nut.....			
22	1				1134-3491-01	Säkringshållare	Fuse holder			
23	1				1134-3631-01	Lock för säkringshållare	Cover for fuse holder			
24	2				9943-0516-01	Skruv.....	Screw.....			
25	1				082-688-01	Roterande varningsljus	Beacon.....			
26	1				1137-0709-01	Hållare	Bracket			
27	1				9400-0332-01	Skyltbelysningslampa.....	Reg.plate lamp			
28	4				9849-7819-01	Skruv.....	Screw.....			
29	1				1137-0922-01	Tillbehörspåse	Assembly bag.....		Reg plate	



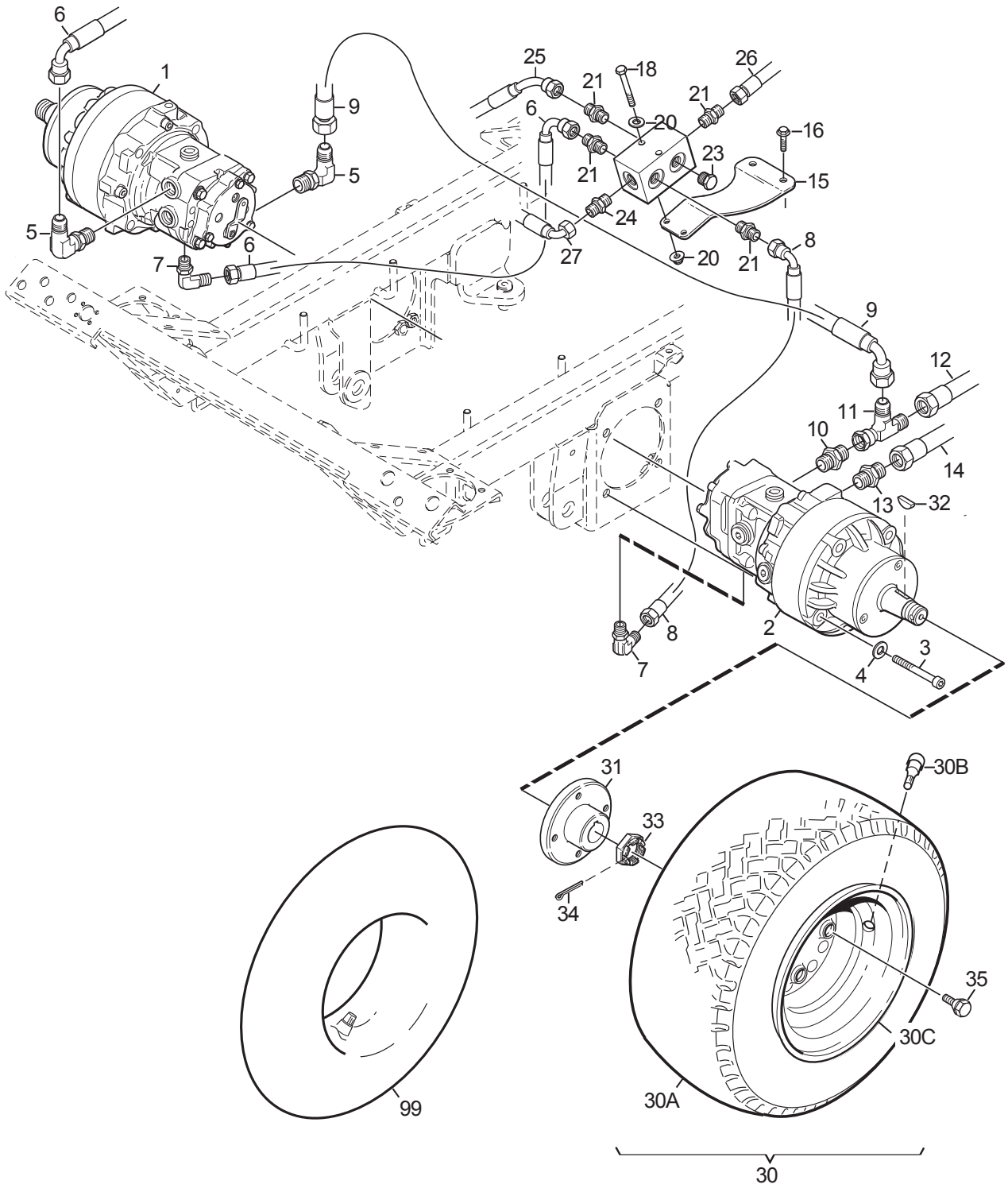
Utgåva Issue		Bildnr Picture No		TITAN BRÄNSLETANK			FUEL TANK		Sida Page	
2013-11		Q-019							40	
Pos. Fig.	Antal/Quantity				Art nr Part No	Benämning	Description	Sats Kit	Anmärkning Notes	
	7462									
1	1				1137-0656-01	Bränsletank	Fuel tank.....			
2	1				1135-2522-01	Tankbygel	Tank clamp			
3	1				9945-0816-16	Skruv.....	Screw.....			
4	1				1134-4282-01	Hydraulnippel	Nipple.....			
5	1				1135-2796-01	Slangstolpe	Tube coupling			
6	1				082-675-01	Adapter	Tube coupling			
7	1				1135-3670-01	Slangstolpe	Tube coupling			
8	1				1135-2526-01	Bränslenivågivare	Fuel level indicator			
9	1				1135-2528-01	Gummimanschett.....	Rubber sleeve.....			
10	1				1135-3447-01	Tanklock	Fuel cap			
12	1				1135-3768-02	Tätninglist	Seal strip.....			
19	0,81				9505-0002-01	Bränsleslang	Fuel line		Quantity per meter	
19	2,16				9505-0002-02	Bränsleslang	Fuel line		Quantity per meter	
19	0,95				9505-0002-03	Bränsleslang	Fuel line		Quantity per meter	
20	10				9578-0023-02	Slangklämma	Hose clamp.....		Not illustrated	



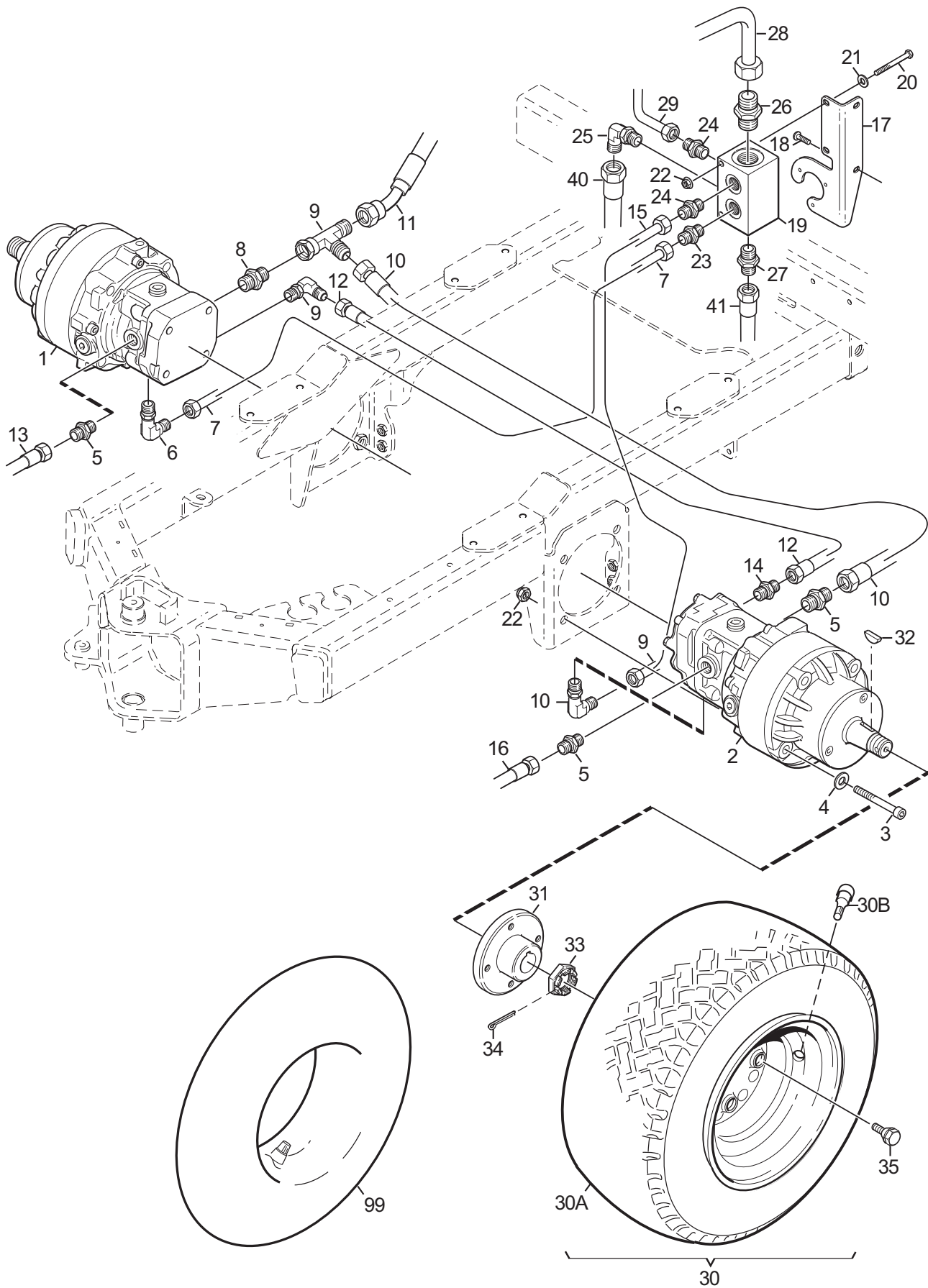
Utgåva Issue		Bildnr Picture No		TITAN MOTOR		ENGINE		Sida Page	
2013-11		Q-020						44	
Pos. Fig.	Antal/Quantity				Art nr Part No	Benämning	Description	Sats Kit	Anmärkning Notes
	7454	7460	7461	7462					
1	1				1137-0690-01	Kylare	Cooler.....		
2	1				1139-2122-01	Lock.....	Cover.....		
3	2				084-312-01	Tätninglist	Seal strip.....		
4	1				084-239-01	Tätninglist	Seal strip.....		
5	2				9550-0008-03	Vibrationsdämpare.....	Vibration damper		
6	4				9747-0831-22	Mutter	Nut.....		
7	4				084-0362-01	Motorkudde	Engine cushion.....		
8	8				9939-1020-16	Skruv.....	Screw.....		
9	8				9699-0035-02	Bricka	Washer.....		
10	4				9997-1230-16	Skruv.....	Screw.....		
11	4				9699-0036-02	Bricka	Washer.....		
12	1				1137-0512-01	Motorfäste.....	Engine bracket		
13	1				1137-0514-01	Motorfäste.....	Engine bracket		
14	1				1137-0513-01	Motorfäste.....	Engine bracket		
15	12				1137-0517-01	Fäste HST pump	Bracket HST pump		
16	16				9959-1225-16	Skruv.....	Screw.....		
20	1				1137-0565-01	Kylarslang.....	Cooling hose		
21	1				1137-0566-01	Kylarslang.....	Cooling hose		
22	2				085-520-01	Slangklämma	Hose Clamp.....		
23	1				1137-0568-01	Insugningsslang	Air intake hose		
24	1				1134-7460-01	Slang	Hose		
25	2				087-510-01	Slangklämma	Hose Clamp.....		
26	2				085-018-01	Slangklämma	Hose Clamp.....		
27	1				1135-3961-01	Luftrenare kpl	Air cleaner assy.....		
27A	1				1139-2652-01	Luftfilter	Air filter		
27B	1				1139-265 3-01	Indikator	Indicator		
28	1				1137-0558-01	Fäste.....	Bracket		
29	2				9959-0816-16	Skruv.....	Screw.....		
30	2				9997-0816-16	Skruv.....	Screw.....		
31	2				9739-0831-22	Mutter	Nut.....		
35	1				1137-0578-01	Avgasrör	Exhaust pipe.....		
36	4				9739-0831-22	Mutter	Nut.....		
37	1				084-351-01	Rörklämma	Tube clamp.....		
38	1				1137-0576-01	Ljuddämpare.....	Muffler		
39	2				9550-0008-03	Vibrationsdämpare.....	Vibration damper		
40	4				9739-0831-22	Mutter	Nut.....		
50	1				1135-2751-01	Expansionskärl	Expansion tank.....		
51	1				1135-2818-01	Vattenavskiljare	Water separator		
52	1				1135-2745-01	Bränslepump.....	Fuel pump		
53	1				1139-2510-01	Bränslefilter.....	Fuel filter.....		
54	1				9500-5032-09	Motor	Engine		



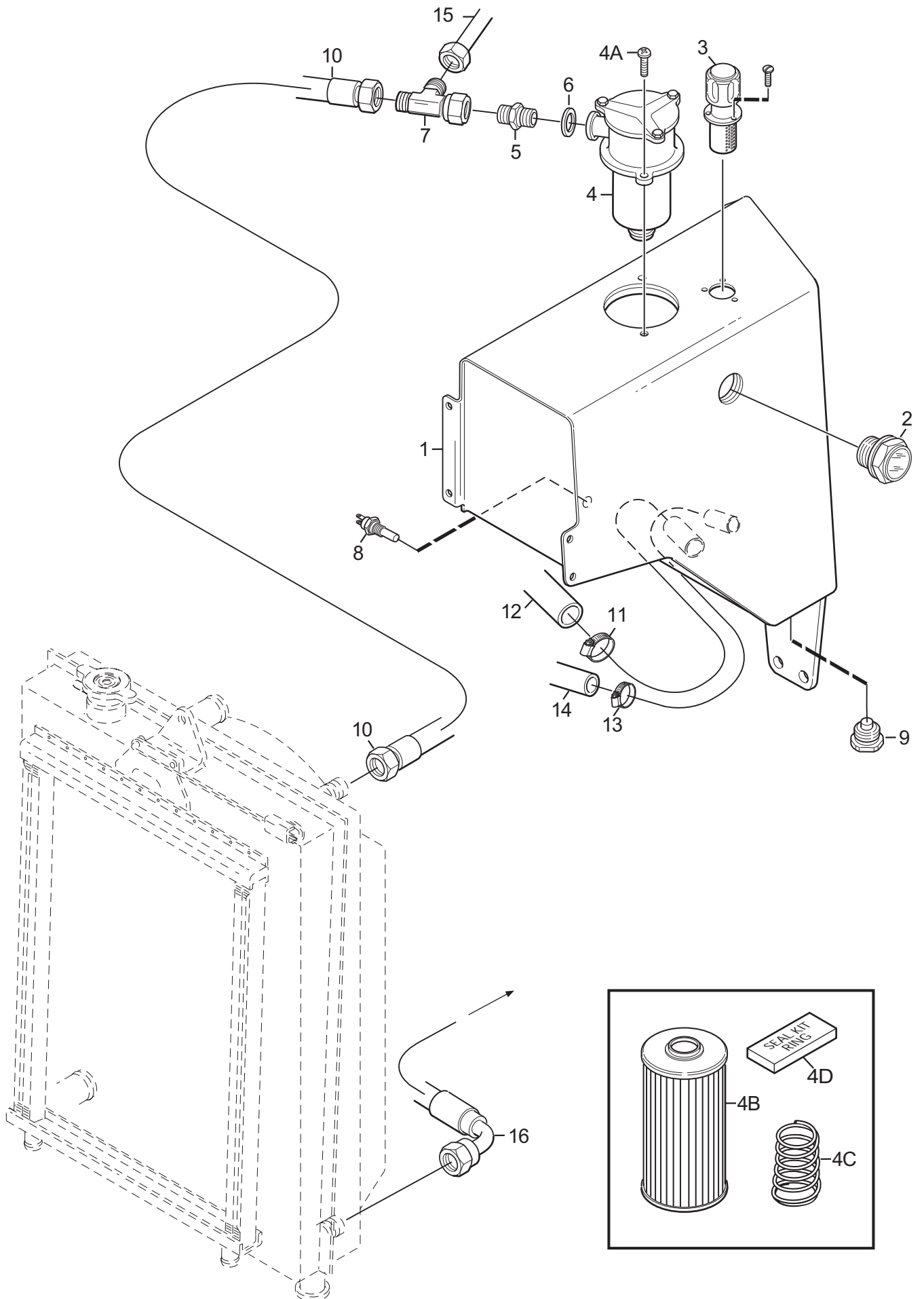
Utgåva Issue		Bildnr Picture No		TITAN HYDROSTATPUMP		HYDRO PUMP		Sida Page	
2013-11		Q-021A						44	
Pos. Fig.	Antal/Quantity				Art nr Part No	Benämning	Description	Sats Kit	Anmärkning Notes
	7462								
1	1				1137-1128-01	Hydraulpump.....	Hydraulic pump		KPS-23 ALPE
2	1				1134-5809-01	Adapter	Hydraulic coupling.....		
3	1				1137-0195-17	Hydraulslang.....	Hydraulic tube.....		
4	1				1137-0772-01	L-koppling	L-Coupling		
5	1				1134-7187-01	Adapter	Hydraulic coupling.....		
6	1				082-043-01	Adapter	Hydraulic coupling.....		
7	1				082-675-01	L-koppling	L-Coupling		
8	1				1137-0195-03	Hydraulslang.....	Hydraulic tube.....		
9	1				1137-0636-01	Hydraulslang.....	Hydraulic tube.....		
10	1				1137-0227-09	Hydraulslang.....	Hydraulic tube.....		
11	2				9997-1035-16	Skruv.....	Screw.....		
12	2				9699-0030-02	Bricka	Washer.....		
13	2				9747-1031-02	Mutter	Nut.....		
14	1				1137-0604-01	Remhjulsdistan.....	Spacer.....		
15	1				9699-0036-02	Bricka	Washer.....		
16	1				9747-1231-02	Mutter	Nut.....		
17	1				1137-0550-01	Remskydd.....	Belt guard.....		
18	3				9959-0616-16	Skruv.....	Screw.....		
19	1				1137-1069-01	Remskiva	Belt pulley		
20	1				1137-0517-01	Pumpfäste	Bracket		
21	1				9585-0222-01	Poly V-rem.....	Poly V-belt		
22	2				9959-1025-16	Skruv.....	Screw.....		
23	2				9959-0820-16	Skruv.....	Screw.....		
24	1				1137-0634-01	Hydraulslang.....	Hydraulic hose		
25	1				1137-0526-01	Spännarm.....	Tension arm.....		
26	1				1137-0529-01	Kuts.....	Block		
27	1				1137-0530-01	Hylsa.....	Bushing		
28	1				1137-1071-01	Spännrulle.....	Tension roller		
29	1				1137-0532-01	Fäste.....	Bracket		
30	1				112156602/0	Mutter	Nut.....		
31	1				9997-1065-01	Skruv.....	Screw.....		
32	1				9699-0035-02	Bricka	Washer.....		
33	1				9747-1031-02	Mutter	Nut.....		
34	1				9544-0023-01	Glidlager.....	Bearing		
35	1				9544-0023-02	Glidlager.....	Bearing		
36	3				9997-1225-16	Skruv.....	Screw.....		
37	1				9997-1225-16	Motorremskiva	Engine pulley		
38	1				9939-1213-02	Skruv.....	Screw.....		
39	1				1137-0599-01	Dragjäder	Spring		
40	1				9939-1231-02	Skruv.....	Screw.....		
45	2	2	2	2	9747-1031-02	Mutter	Nut.....		



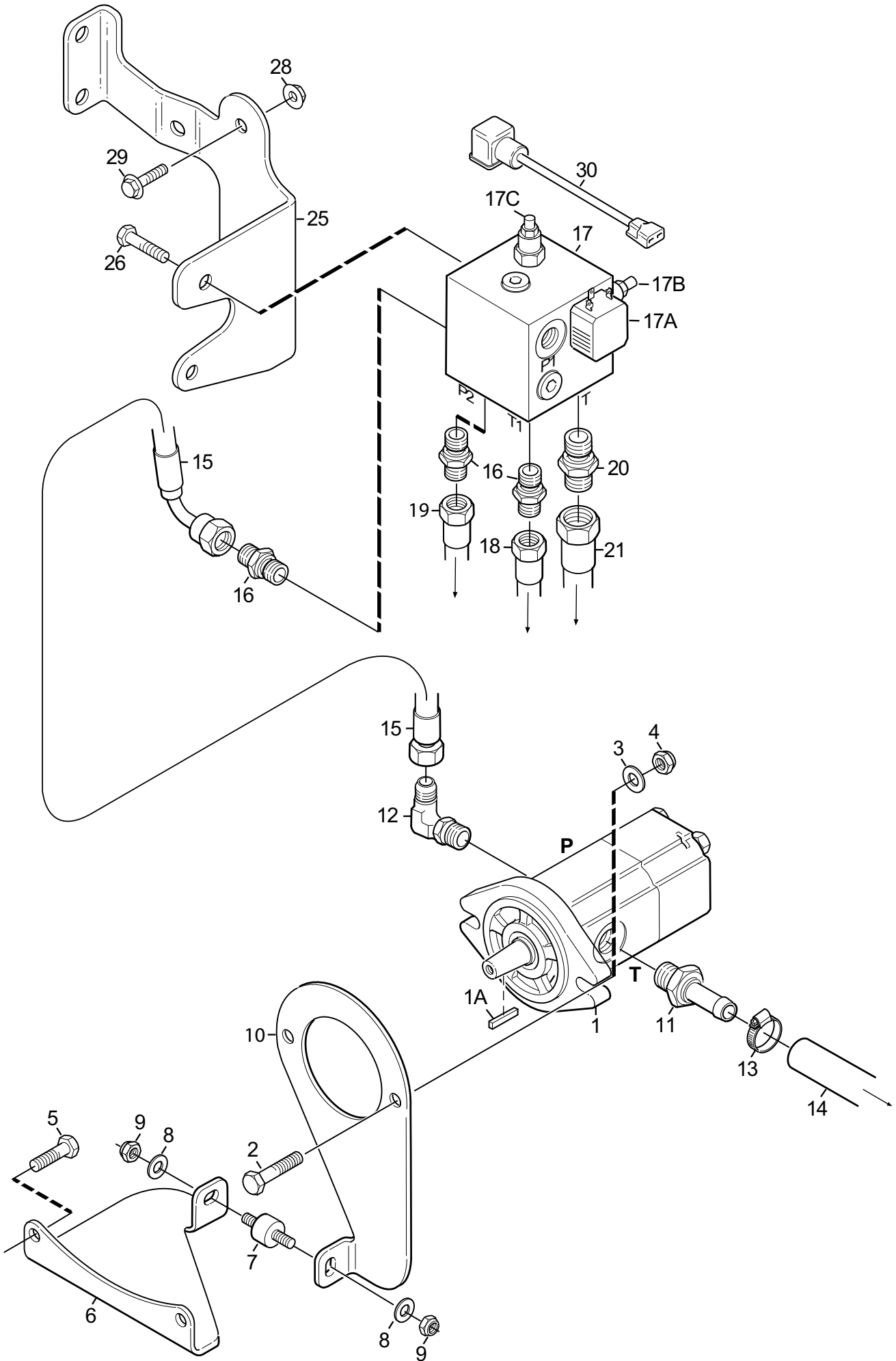
Utgåva Issue 2013-11		Bildnr Picture No Q-022A		TITAN HJULMOTOR-FRAM WHEEL ENGINES-FRONT			Sida Page 46		
Pos. Fig.	Antal/Quantity				Art nr Part No	Benämning	Description	Sats Kit	Anmärkning Notes
	7462								
1	1				1137-0961-01	Hjulmotor	Wheel engine		(without orifice)
2	1				1137-0960-01	Hjulmotor	Wheel engine		(with orifice)
3	8				9939-1213-02	Skruv	Screw		
4	8				9699-0036-02	Bricka	Washer		
5	2				1137-0755-02	Adapter	Hydraulic coupling		
6	1				1137-0633-01	Hydraulslang	Hydraulic tube		
7	1				1137-0755-01	Adapter	Hydraulic coupling		
8	2				1137-0195-14	Hydraulslang	Hydraulic tube		
9	1				1137-0217-03	Hydraulslang	Hydraulic tube		
10	1				1137-0756-01	Adapter	Hydraulic coupling		
11	1				1137-0757-01	L-koppling	L-Coupling		
12	1				1137-0227-09	Hydraulslang	Hydraulic tube		
13	1				1137-0756-04	Adapter	Hydraulic coupling		
14	1				1137-0632-01	Hydraulslang	Hydraulic tube		
15	1				1137-0597-01	Fäste	Bracket		
16	2				9959-0816-16	Skruv	Screw		
17	1				1137-0575-01	Samlingsblock	Collecting block		
18	2				081-461-01	Skruv	Screw		
19	2				9699-0025-02	Bricka	Washer		
20	2				9739-0631-22	Mutter	Nut		
21	3				1134-7156-01	Adapter	Hydraulic coupling		
22	1				1134-7161-01	Adapter	Hydraulic coupling		
23	1				1134-7453-01	Plugg	Plug		
24	1				082-019-01	Adapter	Hydraulic coupling		
25	1				1137-0196-02	Hydraulslang	Hydraulic tube		
26	1				1137-0217-04	Hydraulslang	Hydraulic tube		
27	1				1137-0195-15	Hydraulslang	Hydraulic tube		
30	2				1134-7308-02	Hjul kpl 20"	Wheel assy 20"		
30A	2				9545-0127-02	Däck	Tyre		
30B	2				9545-0500-00	Ventil	Valve		
30C	2				1134-7309-01	Fälg	Rim		
31	2				1134-6971-01	Hjulnav	Hub		
32	2				1134-6996-01	Kil	Key		
33	2				9781-2431-32	Kronmutter	Nut		
34	2				9599-0101-02	Saxpinne	Cotter pin		
35	8				1134-7041-01	Hjulbult	Wheel bolt		
99	1				9545-0211-01	Innerslang	Inner tube		20" Only as spare part



Utgåva Issue		Bildnr Picture No		TITAN HJULMOTOR-BAK		WHEEL ENGINES-REAR		Sida Page	
2013-11		Q-023A						48	
Pos. Fig.	Antal/Quantity				Art nr Part No	Benämning	Description	Sats Kit	Anmärkning Notes
	7462								
1	1				1137-0961-01	Hjulmotor	Wheel engine		(without orifice)
2	1				1137-0960-01	Hjulmotor	Wheel engine		(with orifice)
3	8				9939-1213-02	Skruv.....	Screw.....		
4	8				9699-0036-02	Bricka	Washer.....		
5	3				1137-0756-04	Adapter	Hydraulic coupling.....		
6	3				1137-0755-01	Adapter	Hydraulic coupling.....		
7	1				1137-0196-06	Hydraulslang.....	Hydraulic tube.....		
8	1				1137-0756-01	Adapter	Hydraulic coupling.....		
9	1				1137-0757-01	L-koppling	L-Coupling		
10	1				1137-0218-12	Hydraulslang.....	Hydraulic tube.....		
11	1				1137-0634-01	Hydraulslang.....	Hydraulic tube.....		
12	1				1137-0195-14	Hydraulslang.....	Hydraulic tube.....		
13	1				1137-0633-01	Hydraulslang.....	Hydraulic tube.....		
14	1				1137-0756-02	Adapter	Hydraulic coupling.....		
15	1				1137-0195-16	Hydraulslang.....	Hydraulic tube.....		
16	1				1137-0632-01	Hydraulslang.....	Hydraulic tube.....		
17	1				1137-0555-01	Fäste.....	Bracket		
18	2				9893-0616-16	Skruv.....	Screw.....		
19	1				1137-0574-01	Samlingsblock	Collecting block		
20	2				081-461-01	Skruv.....	Screw.....		
21	2				9699-0025-02	Bricka	Washer.....		
22	2				9739-0631-22	Mutter	Nut.....		
23	1				1134-7073-01	Vinkeladapter.....	Angle coupling.....		
24	2				1134-7156-01	Adapter	Hydraulic coupling.....		
25	1				084-343-01	Vinkeladapter.....	Angle coupling.....		
26	1				1137-0806-01	Adapter	Hydraulic coupling.....		
27	1				1134-7161-01	Adapter	Hydraulic coupling.....		
28	1				1137-0594-01	Hydraulrör	Hydraulic pipe.....		
29	1				1137-0232-03	Hydraulslang.....	Hydraulic tube.....		
30	2				1134-7308-02	Hjul kpl 20"	Wheel assy 20"		
30A	2				9545-0127-02	Däck.....	Tyre		
30B	2				9545-0500-00	Ventil.....	Valve		
30C	2				1134-7309-01	Fälg	Rim.....		
31	2				1134-6971-01	Hjulnav	Hub.....		
32	2				1134-6996-01	Kil	Key		
33	2				9781-2431-32	Kronmutter	Nut.....		
34	2				9599-0101-02	Saxpinne	Cotter pin		
35	8				1134-7041-01	Hjulbult.....	Wheel bolt.....		
40	1				1137-0195-17	Hydraulslang.....	Hydraulic tube.....		
41	1				1137-0217-04	Hydraulslang.....	Hydraulic tube.....		
99	1				9545-0211-01	Innerslang	Inner tube		20" Only as spare part

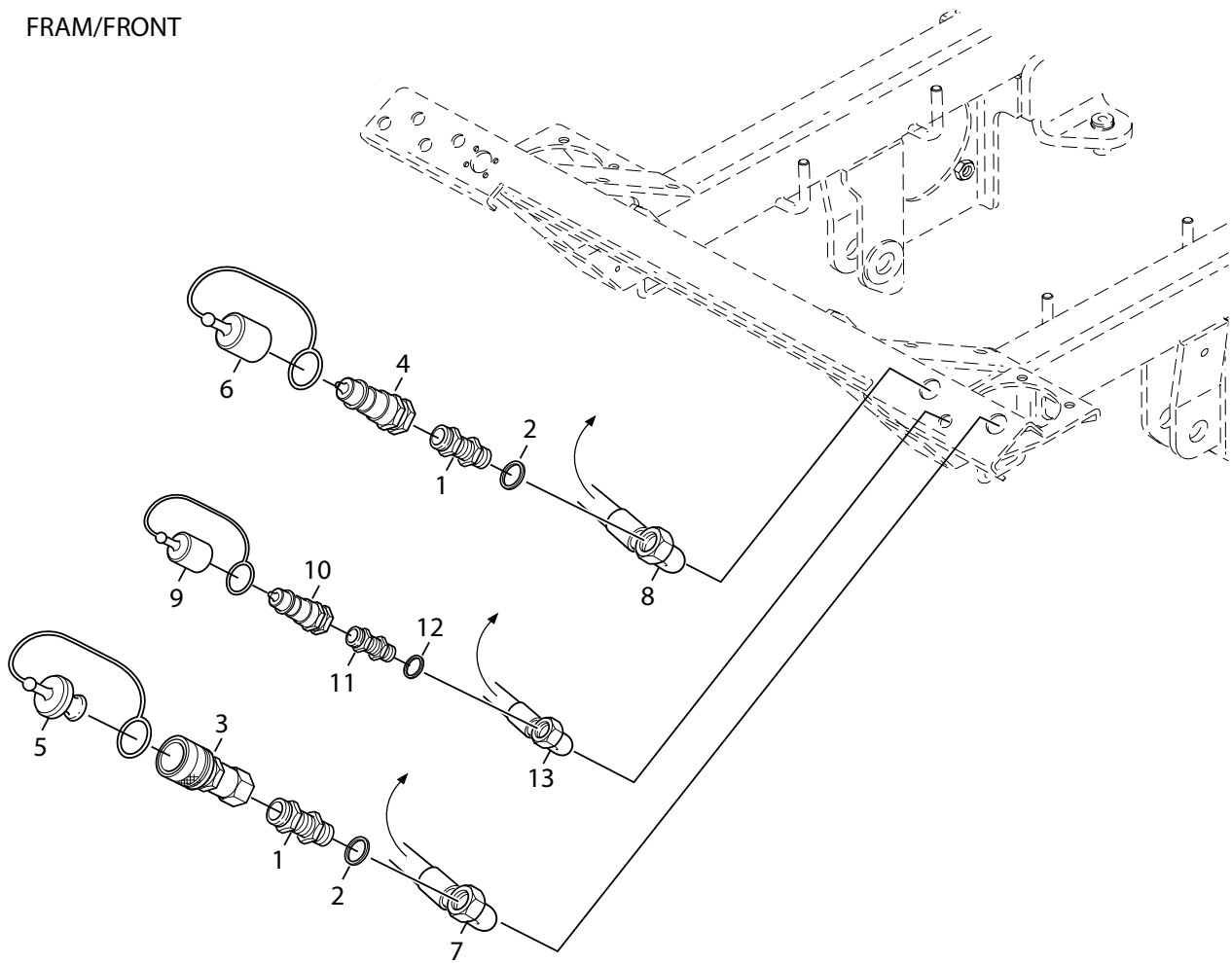


Utgåva Issue 2015-11		Bildnr Picture No Q-024A		TITAN OLJETANK OIL TANK			Sida Page 50		
Pos. Fig.	Antal/Quantity				Art nr Part No	Benämning	Description	Sats Kit	Anmärkning Notes
	7462								
1	1				1137-0485-01	Hydrauloljetank	Oil tank.....		(10 my paper)
2	1				1137-7379-02	Nivåöga.....	Level eye.....		
3	1				1135-3965-01	Tankventilationsfilter	Tank ventilation.....		
4	1				084-297-01	Returöljefilter	Oil filter-return.....		
4A	2				9939-0820-16	Skruv.....	Screw.....		
4B	1				084-479-01	Filterinsats	Filter element		
4C	1				1139-2087-01	Fjäder.....	Spring		
4D	1				1139-2068-01	O-ringsats	Seal kit		
5	1				084-983-01	Adapter	Hydraulic coupling.....		
6	1				1134-4948-01	Tredobricka.....	Seal washer		
7	1				1137-0807-01	L-koppling	L-Coupling		
8	1				084-459-02	Temperaturgivare.....	Temp. Sensor.....		
9	1				1135-2936-02	Magnetplugg.....	Magnet plug		
10	1				1137-0224-02	Hydraulslang.....	Hydraulic tube.....		
11	1				085-520-01	Slangklämma	Hose clamp.....		
12	1				1134-7152-02	Hydraulslang.....	Hydraulic tube.....		
13	1				9578-0031-01	Slangklämma	Hose clamp.....		
14	1				1137-0636-01	Hydraulslang.....	Hydraulic tube.....		
15	1				1137-0594-01	Hydraulrör	Hydraulic pipe.....		
16	1				1137-0633-02	Hydraulslang.....	Hydraulic tube.....		

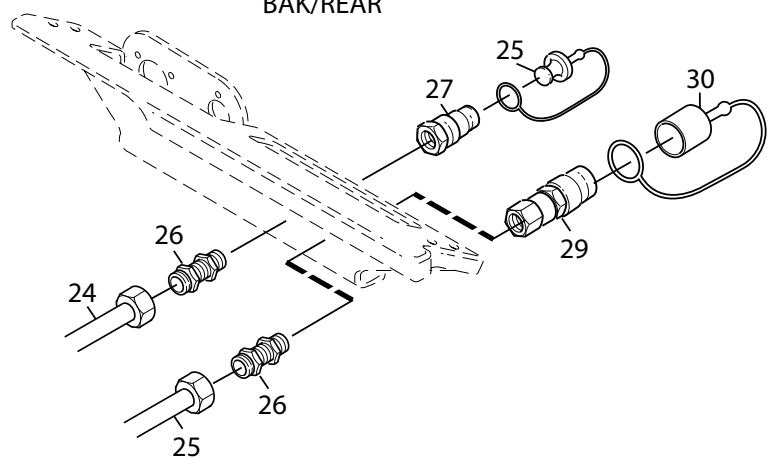


Utgåva Issue		Bildnr Picture No		TITAN PTO		PTO		Sida Page	
2013-11		Q-025A						54	
Pos. Fig.	Antal/Quantity				Art nr Part No	Benämning	Description	Sats Kit	Anmärkning Notes
	7462								
1	1			1135-2517-01	Hydrostatpump	Hydraulic pump		PTO	
1A	1			1139-0006-01	Kil	Key			
2	2			9997-1035-16	Skruv	Screw			
3	2			9699-0035-02	Bricka	Washer			
4	2			9747-1031-02	Mutter	Nut			
5	2			9997-1225-16	Skruv	Screw			
6	1			1137-0560-01	Konsol	Bracket			
7	1			9550-0008-03	Dämpare	Vibration damper			
8	2			9696-0056-02	Bricka	Washer			
9	2			9747-0831-02	Mutter	Nut			
10	1			1135-2579-01	Arm	Lever			
11	1			1137-0573-01	Slangnippel	Tube coupling			
12	1			1135-3272-01	Vinkelkoppling	Angle coupling			
13	1			085-520-01	Slangklämma	Hose clamp			
14	1			1134-7152-02	Hydraulslang	Hydraulic tube			
15	1			1137-0218-16	Hydraulslang	Hydraulic tube			
16	3			1134-7161-01	Adapter	Hydraulic coupling			
17	1			1134-7127-02	Hydraulventil	Hydraulic valve			
17A	1			1139-2088-02	Elventil inkl magnet	Electric valve w magnet			
17B	1			1139-2089-01	Tryckbegr. Ventil	Relief valve		10 bar	
17C	1			1139-2090-01	Tryckbegr. Ventil	Relief valve		220 bar	
18	1			1137-0218-14	Hydraulslang	Hydraulic tube			
19	1			1137-0218-13	Hydraulslang	Hydraulic tube			
20	1			084-691-01	Adapter	Hydraulic coupling			
21	1			1137-0633-02	Hydraulslang	Hydraulic tube			
25	1			1137-0556-01	Fäste PTO	Bracket PTO			
26	2			9959-0816-16	Skruv	Screw			
27	2			9959-0816-16	Skruv	Screw			
28	2			9739-0831-22	Mutter	Nut			
30	1			1134-7225-01	Kablage PTO	Harness PTO			

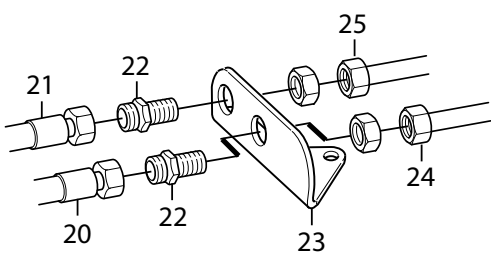
FRAM/FRONT



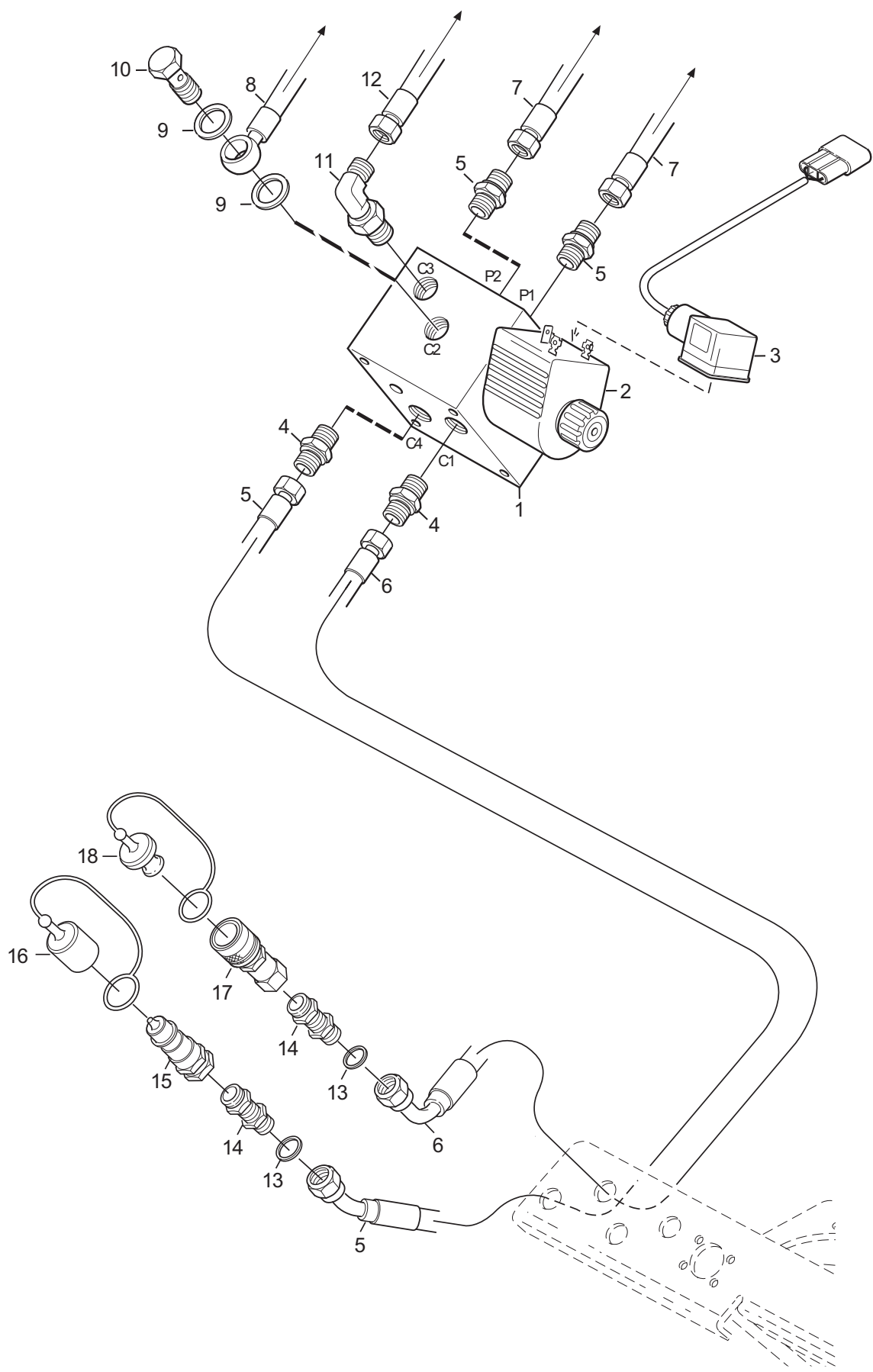
BAK/REAR



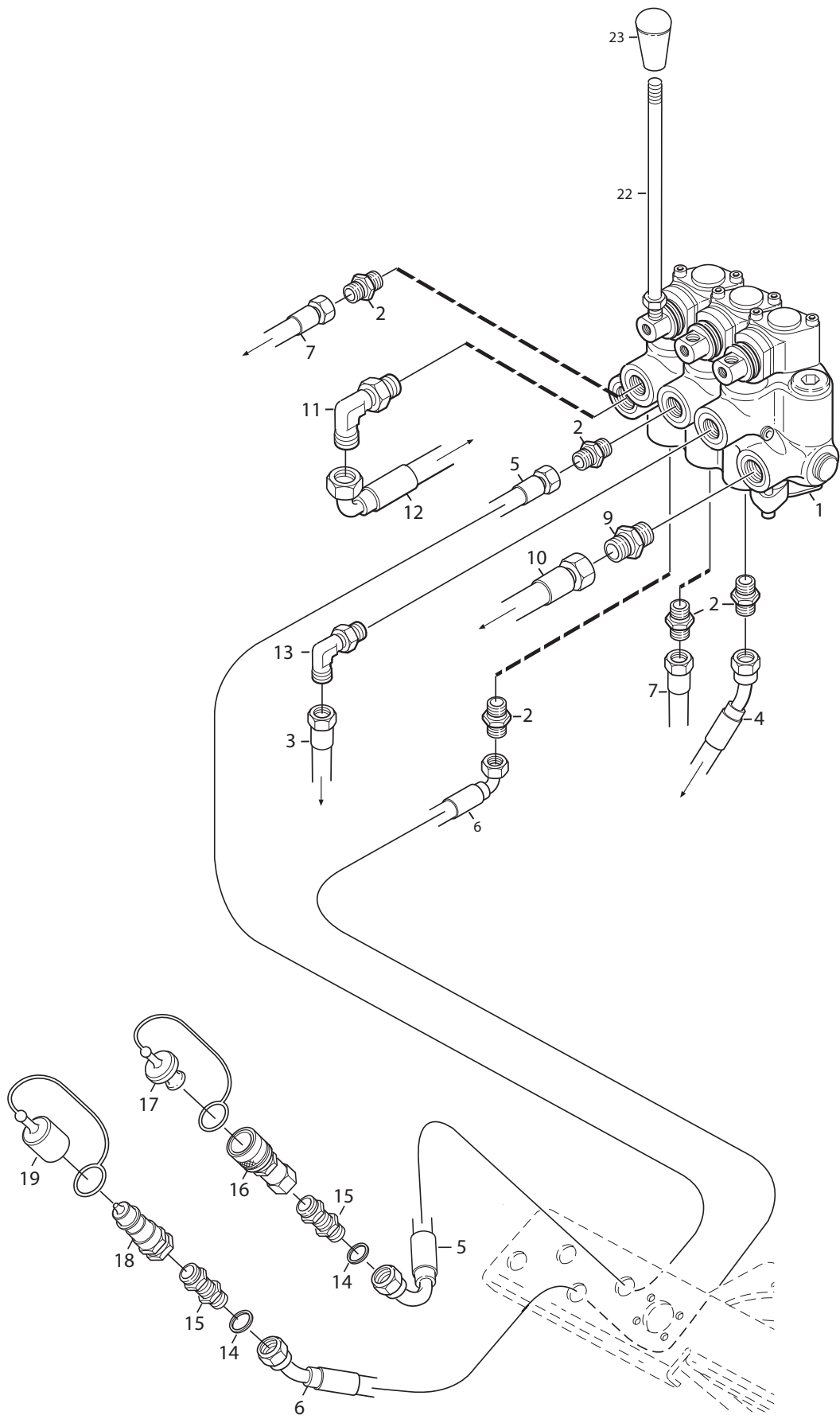
BAK/FRONT



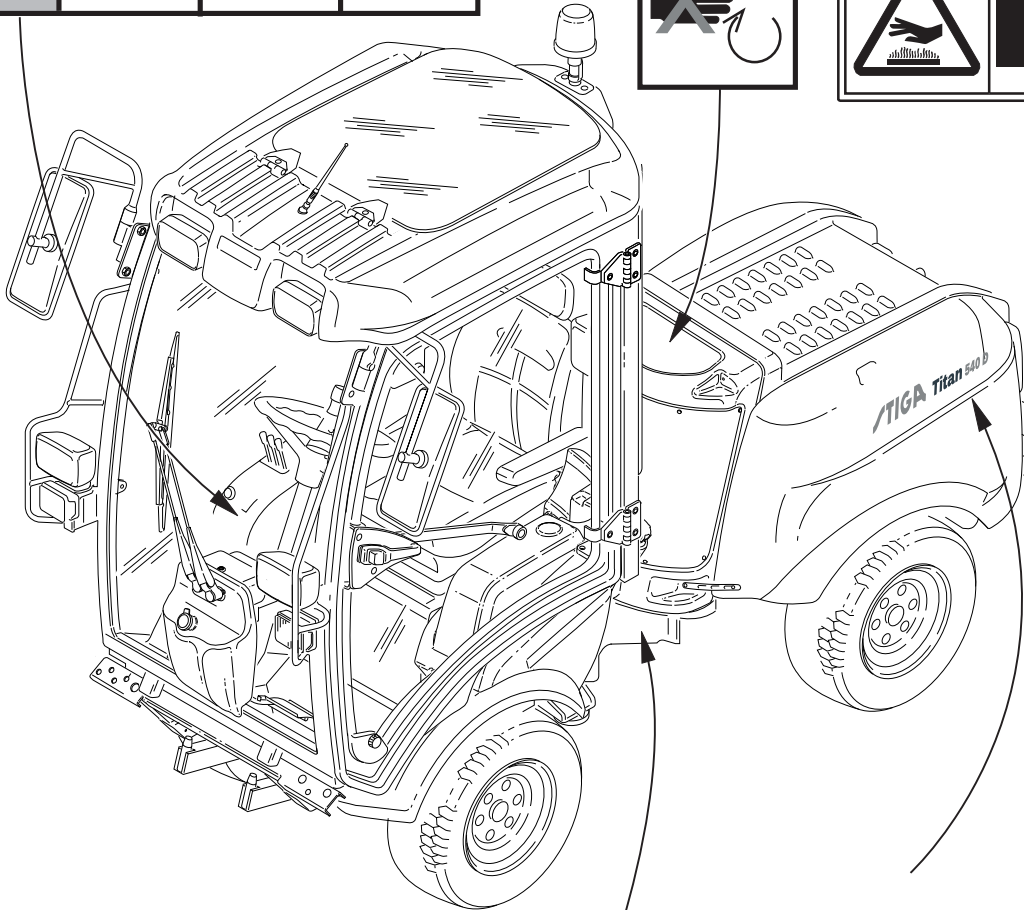
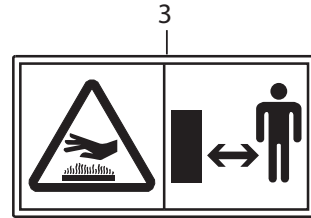
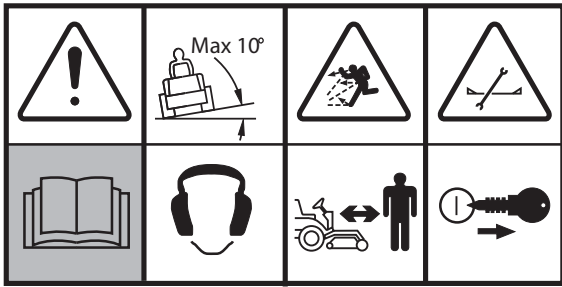
Utgåva Issue 2015-11		Bildnr Picture No Q-026		TITAN PTO OCH REDSKAPSKONTROLL			PTO AND IMPLEMENT CONTROL		Sida Page 54
Pos. Fig.	Antal/Quantity				Art nr Part No	Benämning	Description	Sats Kit	Anmärkning Notes
	7462								
1	2				1134-7180-01	Skottgenomgång	Hydraulic coupling.....		
2	2				1134-4948-03	Tredobricka.....	Seal washer		
3	1				1134-7182-01	Snabbkoppling-hona	Quick coupling-female.....		
4	1				1134-7181-01	Snabbkoppling-hane	Quick coupling-male.....		
5	1				1134-7184-01	Plastpropp	Plastic plug		
6	1				1134-7185-01	Plasthätta.....	Plastic cap		
7	1				1137-0218-14	Hydraulslang.....	Hydraulic tube.....		
8	1				1137-0218-13	Hydraulslang.....	Hydraulic tube.....		
9	1				1134-7175-01	Dammskydd.....	Dust protection.....		
10	1				1134-6042-01	Snabbkoppling-hane	Quick coupling-male.....		
11	1				1134-7296-01	Skottgenomgång	Hydraulic coupling.....		
12	1				1134-4948-01	Tredobricka.....	Seal washer		
13	1				1137-0232-03	Hydraulslang.....	Hydraulic tube.....		
20	1				1137-0631-01	Hydraulslang.....	Hydraulic tube.....		
21	1				1137-0184-06	Hydraulslang.....	Hydraulic tube.....		
22	2				1137-0774-01	Skottgenomgång	Hydraulic coupling.....		
23	1				1137-0562-01	Fäste.....	Bracket		
24	1				1137-0595-01	Hydraulrör	Hydraulic pipe.....		
25	1				1137-0596-01	Hydraulrör	Hydraulic pipe.....		
26	2				1137-0773-01	Skottgenomgång	Hydraulic coupling.....		
27	1				1134-6042-01	Snabbkoppling-hane	Quick coupling-male.....		
28	1				1134-7175-01	Dammskydd.....	Dust protection.....		
29	1				1134-7172-01	Snabbkoppling-hona	Quick coupling-female.....		
30	1				1134-7173-01	Dammskydd.....	Dust protection.....		



Utgåva Issue		Bildnr Picture No		TITAN VÄLJARVENTIL SELECTOR VALVE			Sida Page		
2013-11		Q-027					58		
Pos. Fig.	Antal/Quantity				Art nr Part No	Benämning	Description	Sats Kit	Anmärkning Notes
	7462								
1	1				1135-2538-01	Väljarventil	Selector valve.....		
2	1				1139-2097-01	Magnetventil.....	Magnet valve.....		
3	1				1137-0903-01	Kablage.....	Harness.....		
4	4				1134-7165-01	Adapter	Hydraulic coupling.....		
5	1				1137-0186-04	Hydraulslang.....	Hydraulic tube.....		
6	1				1137-0186-05	Hydraulslang.....	Hydraulic tube.....		
7	2				1137-0185-20	Hydraulslang.....	Hydraulic tube.....		
8	1				1137-0631-01	Hydraulslang.....	Hydraulic tube.....		
9	2				1134-4948-01	Tredobricka.....	Seal washer		
10	1				1135-2704-01	Banjoskruv.....	Banjo bolt.....		
11	1				1135-2703-01	Vinkelkoppling	Angle coupling.....		
12	1				1137-0184-06	Hydraulslang.....	Hydraulic tube.....		
13	2				1134-4948-01	Tredobricka.....	Seal washer		
14	2				1134-7296-01	Skottgenomgång	Hydraulic coupling.....		
15	1				1134-7172-01	Snabbkoppling-hona	Quick coupling-female.....		
16	1				1134-7173-01	Dammskydd.....	Dust protection.....		
17	1				1134-6042-01	Snabbkoppling-hane	Quick coupling-male.....		
18	1				1134-7175-01	Dammskydd.....	Dust protection.....		



Utgåva Issue 2015-11		Bildnr Picture No Q-028		TITAN HANDSPAKSVENTIL HYDRAULIC VALVE			Sida Page 58		
Pos. Fig.	Antal/Quantity				Art nr Part No	Benämning	Description	Sats Kit	Anmärkning Notes
	7462								
1	1				1137-0641-01	Handspaksventil	Hydraulic valve.....		
2	4				1134-7165-01	Adapter	Hydraulic coupling.....		
3	1				1137-0195-15	Hydraulslang.....	Hydraulic tube.....		
4	1				1137-0196-09	Hydraulslang.....	Hydraulic tube.....		
5	1				1137-0186-06	Hydraulslang.....	Hydraulic tube.....		
6	1				1137-0187-04	Hydraulslang.....	Hydraulic tube.....		
7	2				1137-0185-20	Hydraulslang.....	Hydraulic tube.....		
9	1				1134-7156-01	Adapter	Hydraulic coupling.....		
10	1				1137-0196-05	Hydraulslang.....	Hydraulic tube.....		
11	1				1134-7073-01	Vinkeladapter.....	Angle coupling.....		
12	1				1137-0195-15	Hydraulslang.....	Hydraulic tube.....		
13	1				1135-2906-01	Vinkelstrypnippel	Angle coupling.....		
14	2				1134-4948-01	Tredobricka.....	Seal washer		
15	2				1134-7296-01	Skottgenomgång	Hydraulic coupling.....		
16	1				1134-7172-01	Snabbkoppling-hona	Quick coupling-female.....		
17	1				1134-7173-01	Dammskydd.....	Dust protection.....		
18	1				1134-6042-01	Snabbkoppling-hane	Quick coupling-male.....		
19	1				1134-7175-01	Dammskydd.....	Dust protection.....		



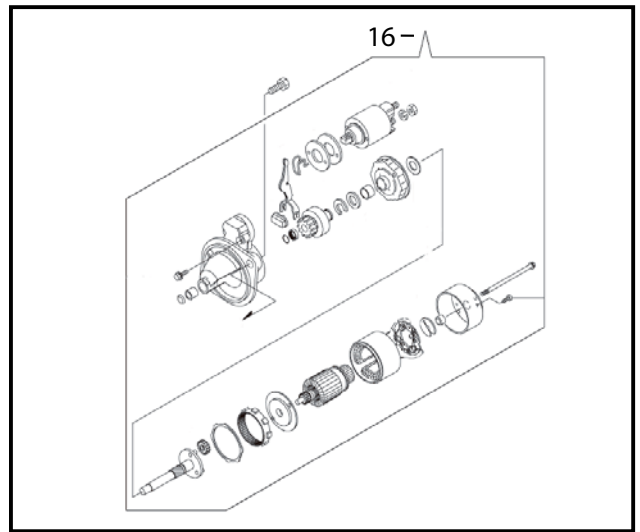
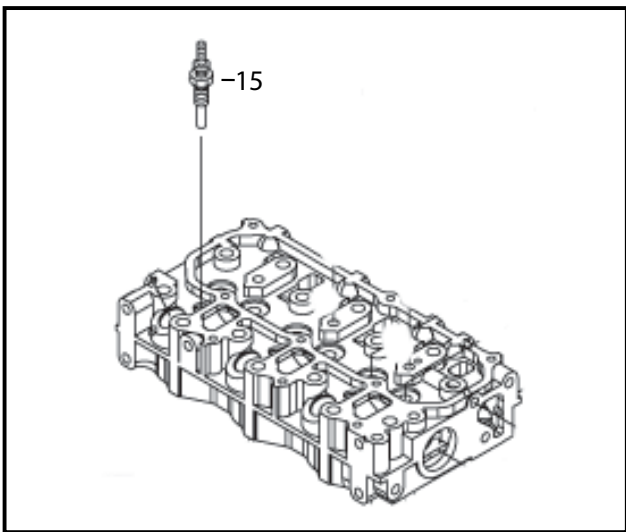
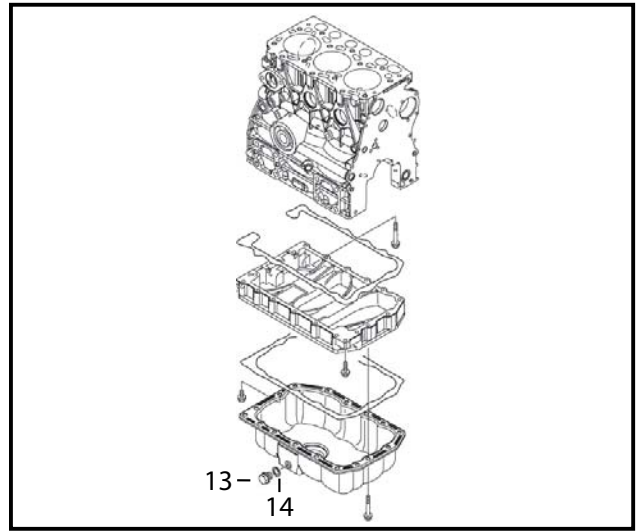
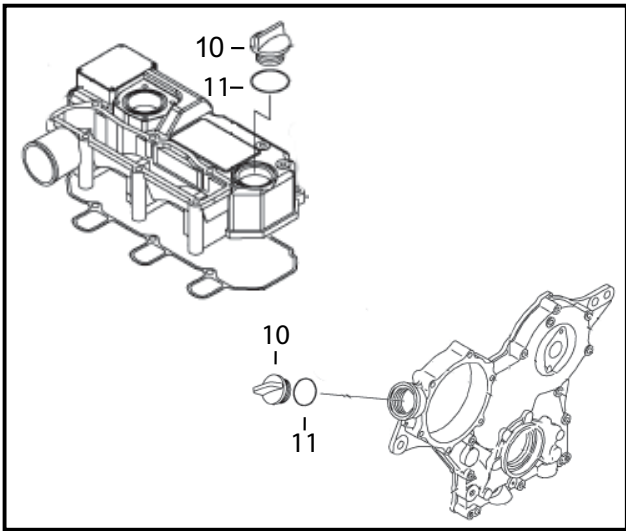
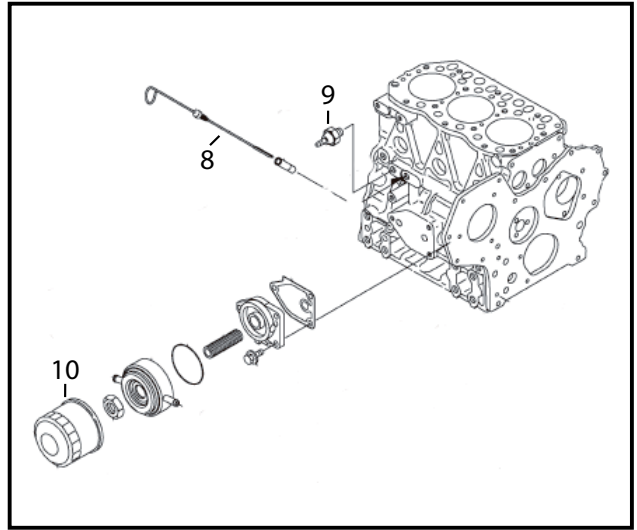
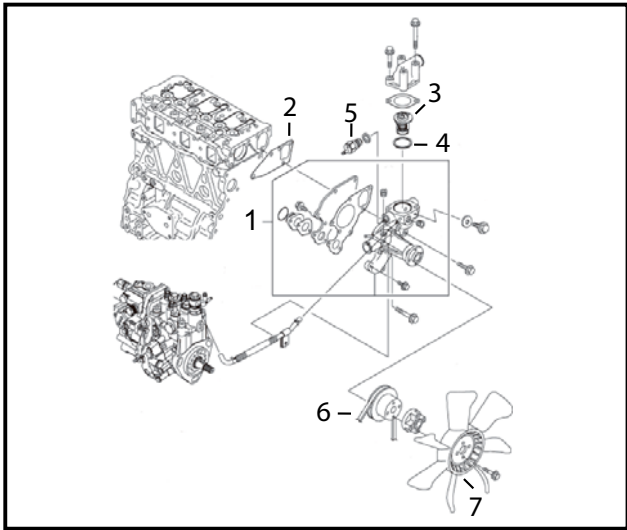
STIGA Titan 740 DCR



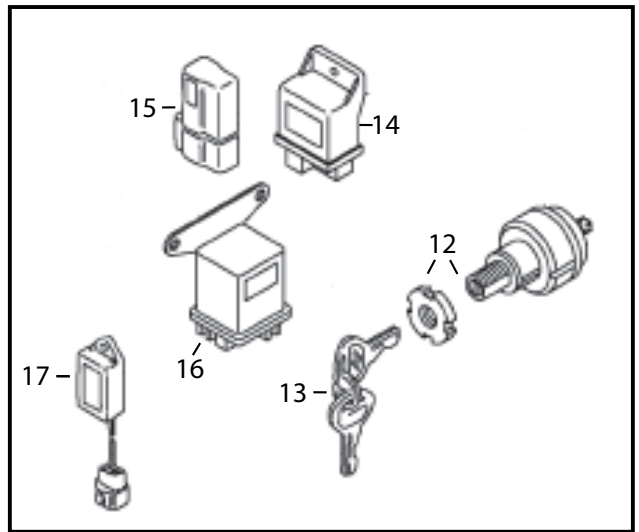
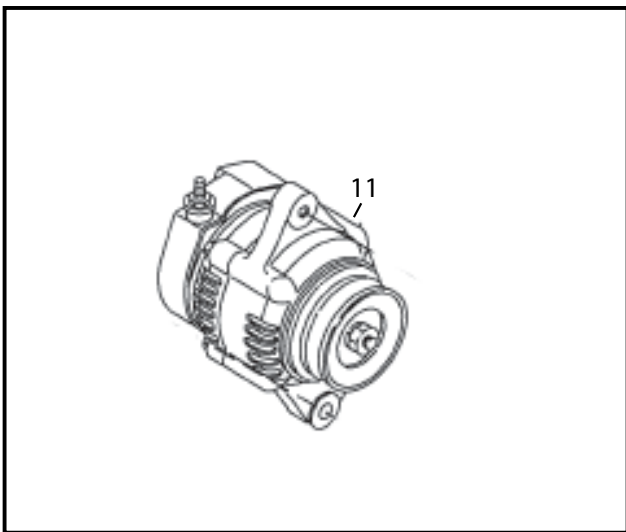
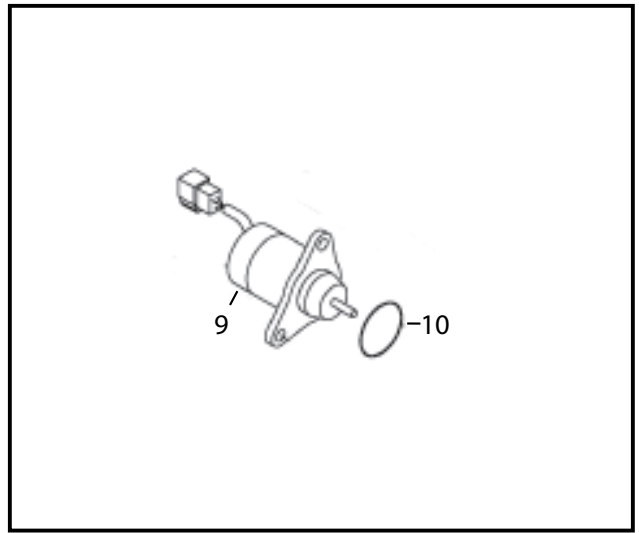
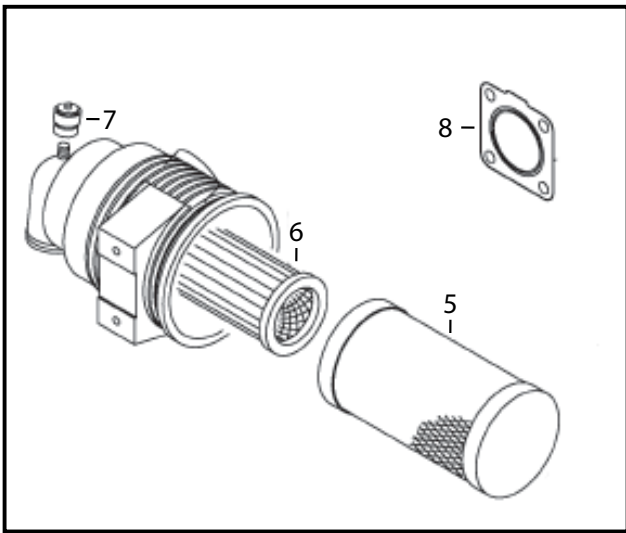
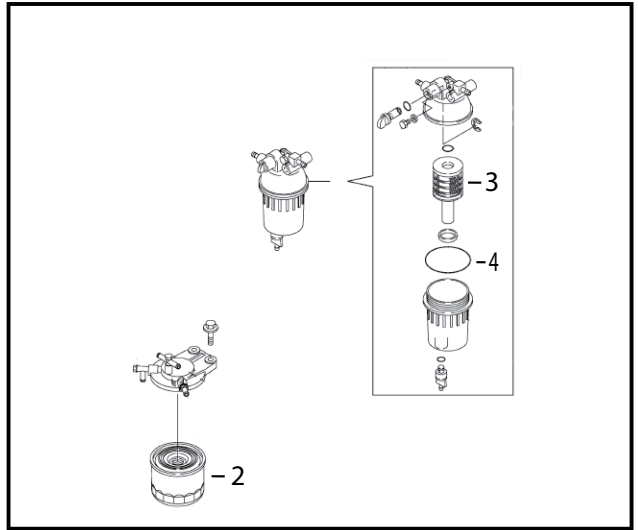
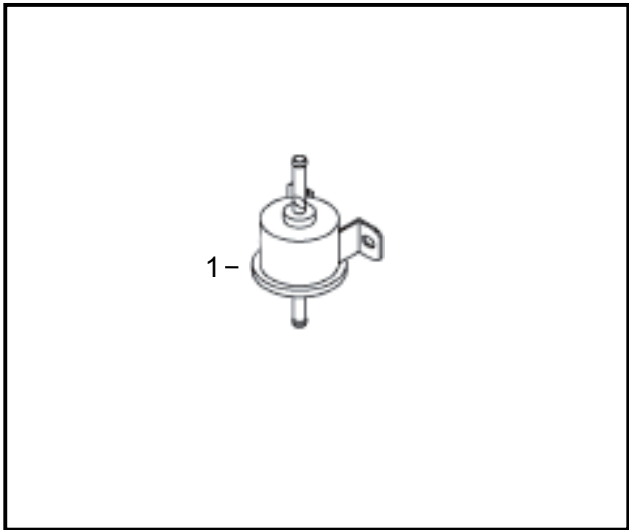
5

4,5

Utgåva Issue		Bildnr Picture No		TITAN DEKALER			LABELS		Sida Page	
2015-11		Q-042							60	
Pos. Fig.	Antal/Quantity				Art nr Part No	Benämning	Description	Sats Kit	Anmärkning Notes	
	7462									
1	1				9402-3769-01	Varningsdekal, allmän	Label, general warning.....			
2	1				9402-3773-01	Varningsdekal, fläkt & rem	Label, fan & belt warning..			
3	1				114364961/3	Varningsdekal, värme	Labelm heat warning.....			
4	2				114367494/2	Dekal, Stiga	Label, Stiga			
5	2				114368535/0	Huvdekal Titan 740DCR....	Hood label Titan 740 DCR			
6	1				081-131-01	Varningsdekal, klämrisk	Label, chrushing.....			

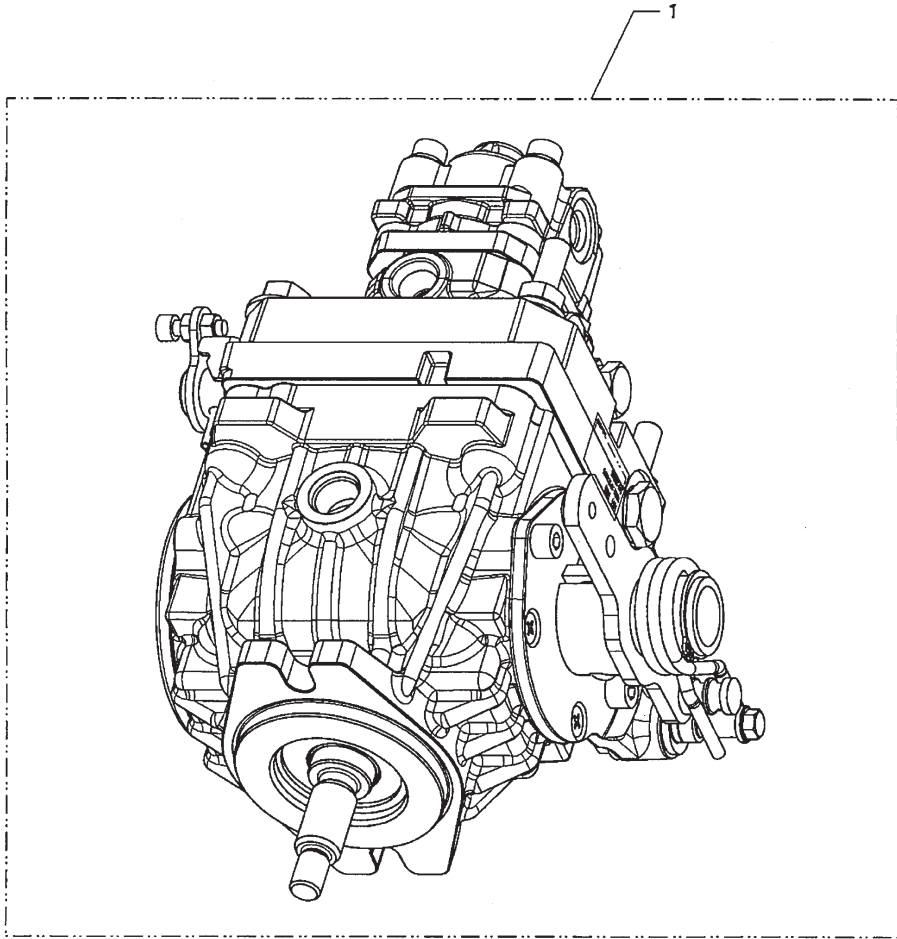


Utgåva Issue 2009-16		Bildnr Picture No 2746		YANMAR 3TNV82 TITAN 32		YANMAR 3TNV82 TITAN 32		Sida Page 62	
Pos. Fig.	Antal/Quantity				Art nr Part No	Benämning	Description	Sats Kit	Anmärkning Notes
1	1				1139-2626-01	Kylsystem	Cooling system.....		
2	1				1139-2641-01	Vattenpump.....	Water pump.....		
3	1				1139-2640-01	Packning	Gasket		
4	1				1139-2643-01	Termostat	Thermostat		
5	1				1139-2630-01	Packning	Gasket		
6	1				1139-2630-01	Vattentemp.givare.....	Water temp sensor.....		
7	1				1139-2642-01	Fläktrem.....	Fan belt.....		
					1139-2645-01	Fläkt.....	Fan.....		
8	1				1139-2625-01	Oljesystem	Oil system		
9	1				1139-2609-01	Oljesticka.....	Dipstick oil.....		
10	1				1139-2635-01	Oljetrycksgivare	Oil pressure switch.....		
					1139-2635-01	Oljefilter	Oil filter.....		
11	2				1139-2631-01	Lock oljepåfyllning	Cover oil filler.....		
12	2				1139-2648-01	Lock oljepåfyllning	Cover oil filler.....		
					1139-2648-01	O-ring	O-ring.....		
13	1				1139-2617-01	Ojedränring	Oil sump.....		
14	1				1139-2646-01	Avtappningsplugg	Drain plug		
					1139-2646-01	Bricka avtappningsplugg....	Washer drain plug		
15	1				1139-2633-01	Glödstift	Glow plug.....		
					1139-2633-01	Glödstift	Glow plug.....		
16	1				1139-2638-01	Startmotor	Starter		
					1139-2638-01	Startmotor	Starter		

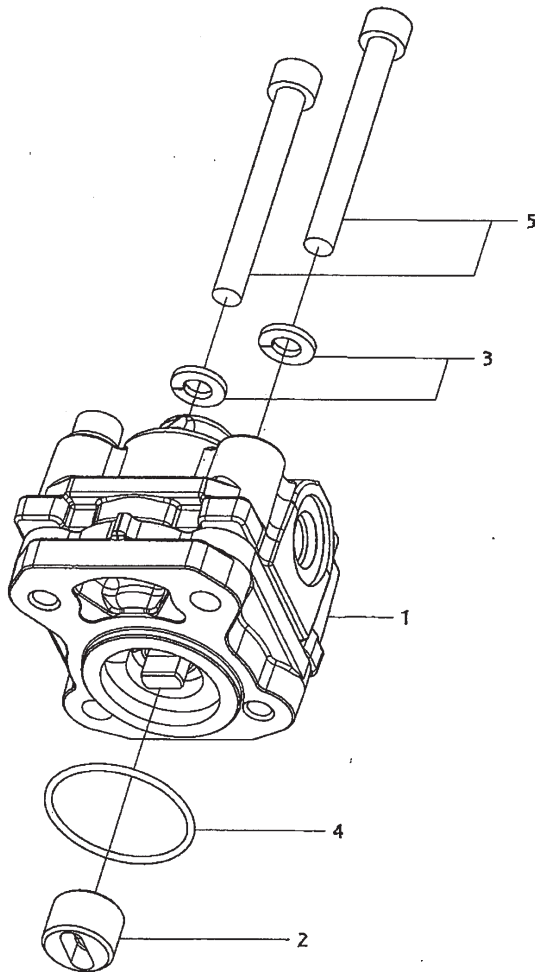


Utgåva Issue 2009-16		Bildnr Picture No 2747		YANMAR 3TNV82 TITAN 32		YANMAR 3TNV82 TITAN 32		Sida Page 64	
Pos. Fig.	Antal/Quantity				Art nr Part No	Benämning	Description	Sats Kit	Anmärkning Notes
1	1				1135-2745-01	Bränsleinsprutning..... Bränslepump.....	Fuel injektion Fuel feed pump		
2	1				1139-2627-01	Bränslefilter	Fuel filter.....		
3	1				1139-2637-01	Bränslefilter	Fuel filter.....		
4	1				1139-2637-01	Filter	Water separator filter.....		
					1139-2649-01	O-ring	O-ring		
5	1				1139-2506-01	Luftfilter	Luftfilter		
6	1				1139-2507-01	Luftfilter yttre	Luftfilter outer.....		
7	1				1139-2507-01	Luftfilter inre	Luftfilter inner.....		
8	1				1139-2632-01	Indikator	Indicator		
					1139-2611-01	Ljuddämparpackning	Muffler gasket		
9	1				1139-2618-01	Stopsolenoid	Solenoid stop.....		
10	1				1139-2618-01	Stopsolenoid	Solenoid stop.....		
					1139-2644-01	O-ring	O-ring		
11	1				1139-2616-01	Generator	Generator.....		
					1139-2616-01	Generator	Generator.....		
12	1				1135-2754-01	Generator	Generator.....		
13	1				1135-2754-01	Tändningslås.....	Start switch.....		
14	1				1139-2505-01	Startnyckel	Starter key		
15	1				1135-2753-01	Säkerhetsrelä.....	Relay-safety		
16	1				1135-2747-01	Diod	Diode.....		
17	1				1135-2748-01	Relä-bränsleventil.....	Relay-fuel valve.....		
					1135-2749-01	Timer	Timer		

A



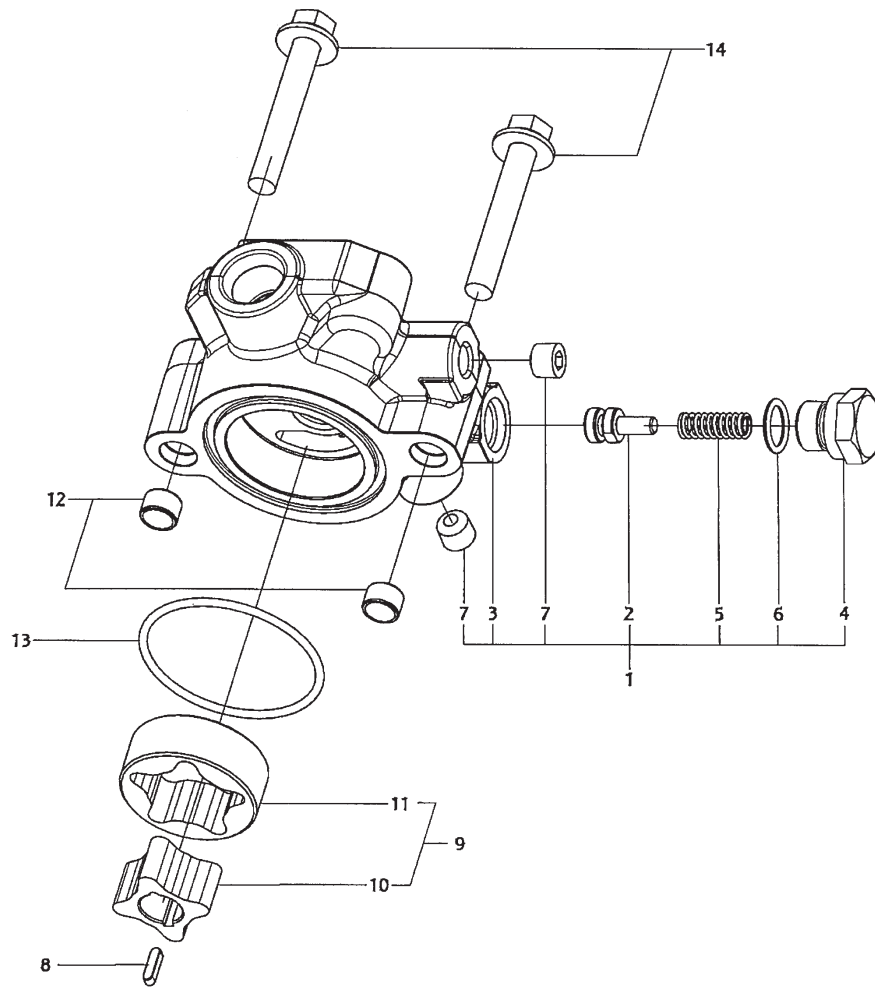
B



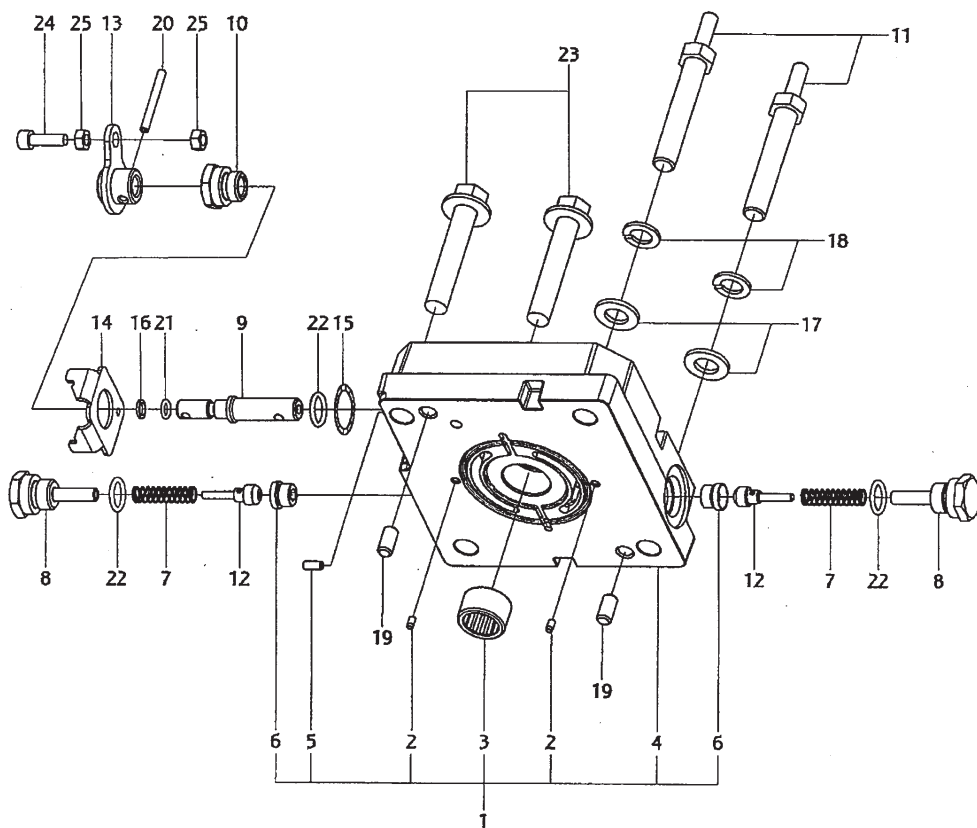


Utgåva Issue		Bildnr Picture No		KANZAKI HYDRAULPUMP KPS-23ALPH PUMP KPL-DREVPUMP		KANZAKI HYDRAULIC PUMP KPS-23ALPH PUMP UNIT-GEAR PUMP		Sida Page	
2015-11		BL1052						2	
Pos. Fig.	Antal/Quantity				Art nr Part No	Benämning	Description	Sats Kit	Anmärkning Notes
	KPS -23 ALPH								
X A01	1				1137-1128-01	Hydraulpump.....	Hydraulic pump		KPS-23ALPH 8x85
X B01	1				1139-1754-01	Pump.....	Pump		
B02	1				1139-1539-01	Koppling.....	Coupling.....		
B03	2				1139-1573-01	Bricka	Washer.....		
B04	1				1139-1581-01	Packning	Packing.....		
B05	2				1139-1755-01	Skruv.....	Bolt.....		

A

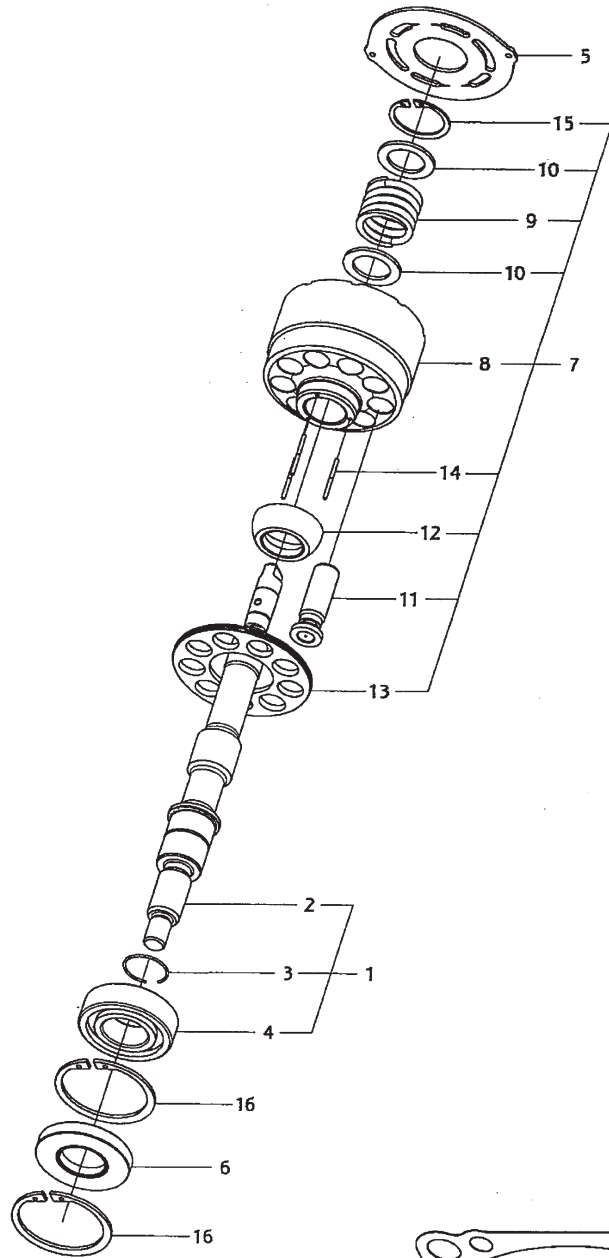


B

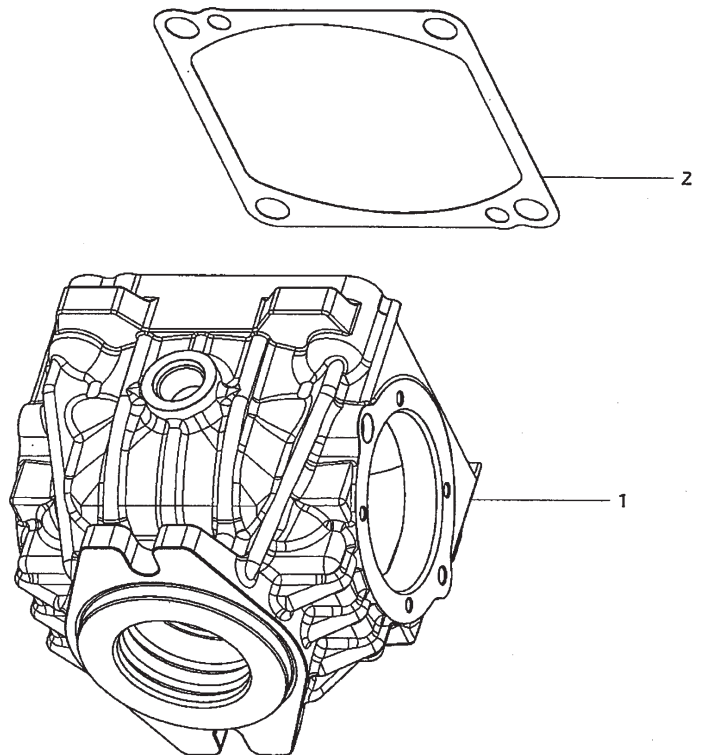


Utgåva Issue 2015-11		Bildnr Picture No BL1053		KANZAKI HYDRAULPUMP KPS-23ALPH MATARPUMP-CENTRUMHUS		KANZAKI HYDRAULIC PUMP KPS-23ALPH CHARGE PUMP-CENT CASE		Sida Page 4	
Pos. Fig.	Antal/Quantity				Art nr Part No	Benämning	Description	Sats Kit	Anmärkning Notes
	KPS -23 ALPH								
A01	1				1139-1709-01	Pumphus A kpl	Pump body A assy		Inkl. pos 2-7
A02	1				1139-1571-01	• Ventil.....	• Relief valve		
A03	1				1139-1710-01	• Pumphus A	• Pump body A		
A04	1				1139-1546-01	• Plugg.....	• Plug		
A05	1				1139-1570-01	• Fjäder.....	• Spring		
A06	1				1139-1168-01	• Packning	• Packing.....		
A07	2				1139-1107-01	• Plugg.....	• Plug		
A08	1				1139-1693-01	Kil	Key		
A09	1				1139-1694-01	Rotor kpl (6 cc/rev)	Rotor set (6 cc/rev).....		Inkl. pos 10-11
A12	2				1139-1166-01	Tapp	Pin		
A13	1				1139-1683-01	Packning	Packing.....		
A14	2				1139-1715-01	Bult	Bolt.....		
B01	1				1139-1706-01	Centrumhus kpl	Center case assy		Inkl. pos 2-6
B02	2				1139-1058-01	• Stift	• Knock pin		
B05	1				1139-1394-01	• Stift	• Pin		
B07	2				1139-1547-01	Fjäder.....	Spring (suction).....		
B08	2				1139-1548-01	Plugg.....	Check plug		
B09	1				1139-1549-01	Axel	Bypass pin.....		
B10	1				1139-1371-01	Adapter	By-pass adapter.....		
B11	2				1135-3987-01	Bult	Bolt.....		M12x70-M12x25
B12	2				1139-1368-01	Ventil.....	Check valve F		
B13	1				1139-1372-01	By-pass arm.....	By-pass lever.....		
B14	1				1139-1373-01	Plåt	By-pass plate		
B15	1				1139-1522-01	Vågbricka	Wave washer		
B16	1				1139-1387-01	Ring	Back-up ring.....		
B17	2				1139-1102-01	Bricka	Washer.....		
B18	2				1139-1679-01	Bricka	Washer.....		
B19	2				1139-1496-01	Pinne.....	Parallell pin		
B20	1				1139-1395-01	Stift	Pin		
B21	1				1139-1112-01	O-ring	O-ring.....		
B22	3				1139-1115-01	O-ring	O-ring.....		
B23	2				1139-1687-01	Bult	Bolt.....		
B24	1				1139-1585-01	Skruv.....	Bolt.....		
B25	2				1139-0247-01	Mutter	Nut.....		

A

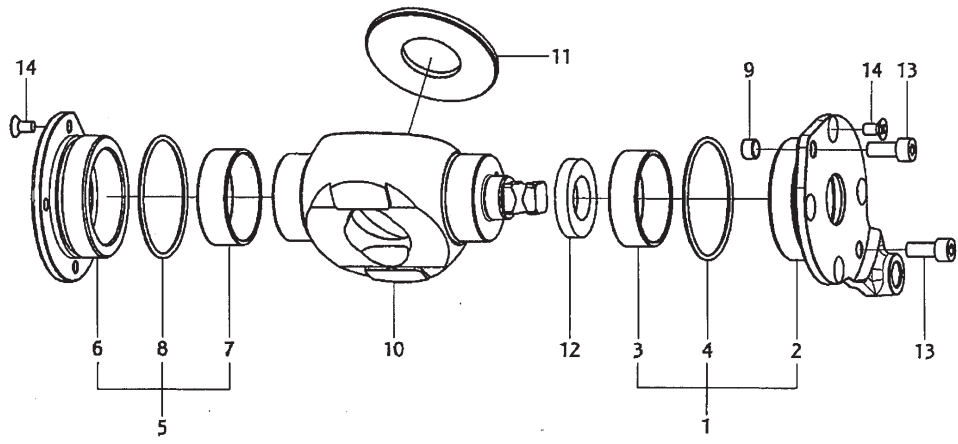


B

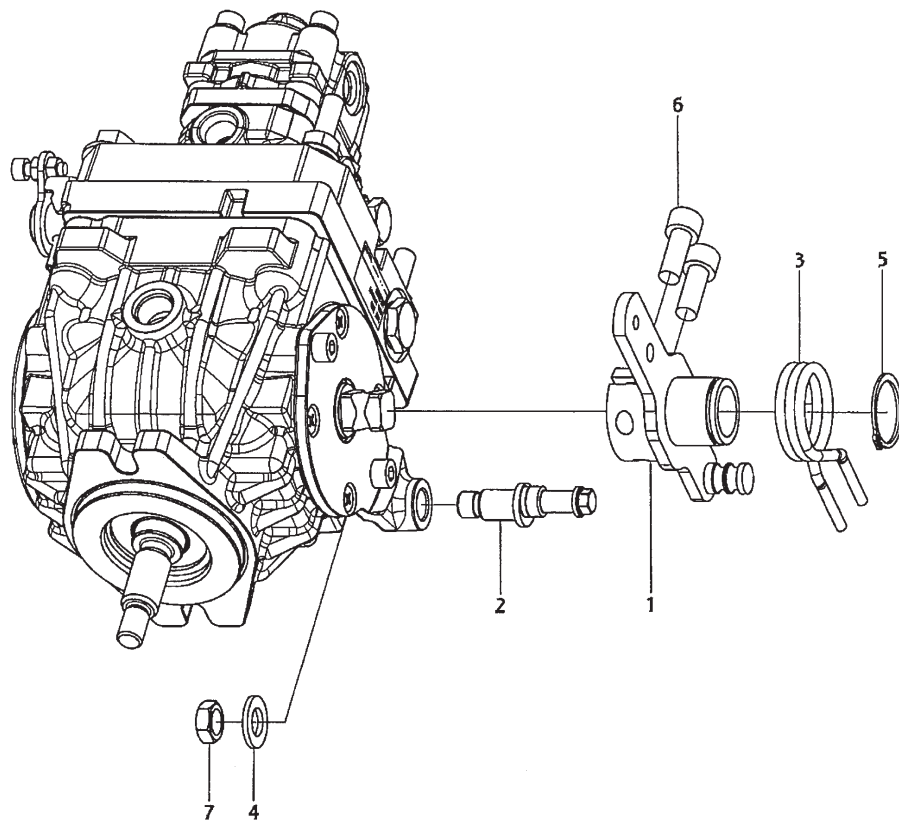


Utgåva Issue		Bildnr Picture No		KANZAKI HYDRAULPUMP KPS-23ALPH PUMP-HUS		KANZAKI HYDRAULIC PUMP KPS-23ALPH PUMP ASSY-HOUSING		Sida Page	
2015-72		BL1022						6	
Pos. Fig.	Antal/Quantity				Art nr Part No	Benämning	Description	Sats Kit	Anmärkning Notes
	KPS -23 ALPH								
A01	1				1139-1707-01	Pumpaxel kpl	Pump shaft assy.....		Inkl. pos 2-4
A02	1				1139-1708-01	• Pumpaxel	• Pump shaft.....		
A03	1				1139-1653-01	• Ring	• Ring.....		
A04	1				1139-1680-01	• Kullager	• Ball bearing		
A05	1				1139-1670-01	Ventilplatta.....	Valve plate.....		
A06	1				1139-1551-01	Tätningring.....	Oil seal		
A07	1				1139-1620-01	Cylinderblock kpl	Cylinder block assy.....		Inkl. pos 8-15
A16	2				1139-1576-01	Låsring.....	Ring		
B01	1				1139-1673-01	Hus.....	Housing		
B02	1				1139-1674-01	Packning	Packing.....		

A

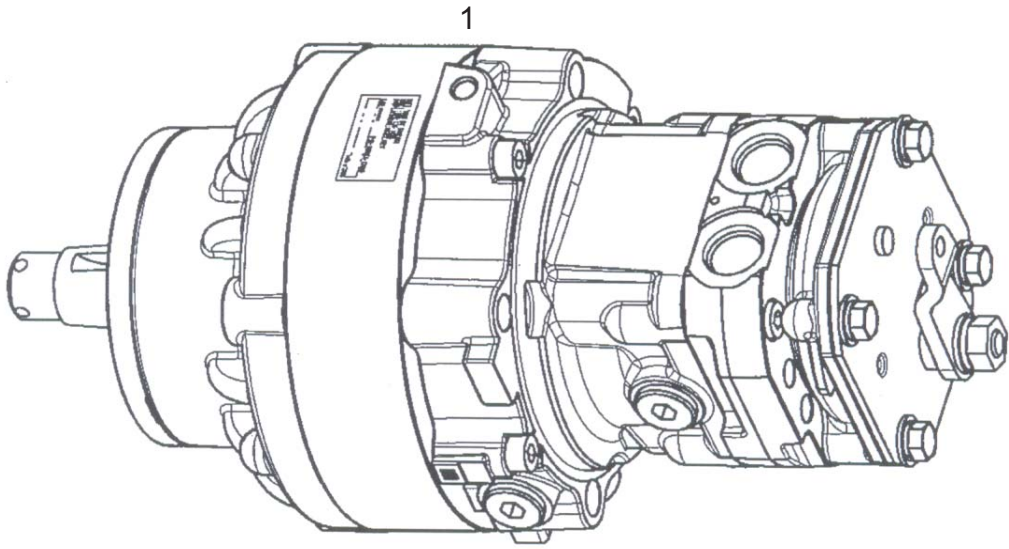


B

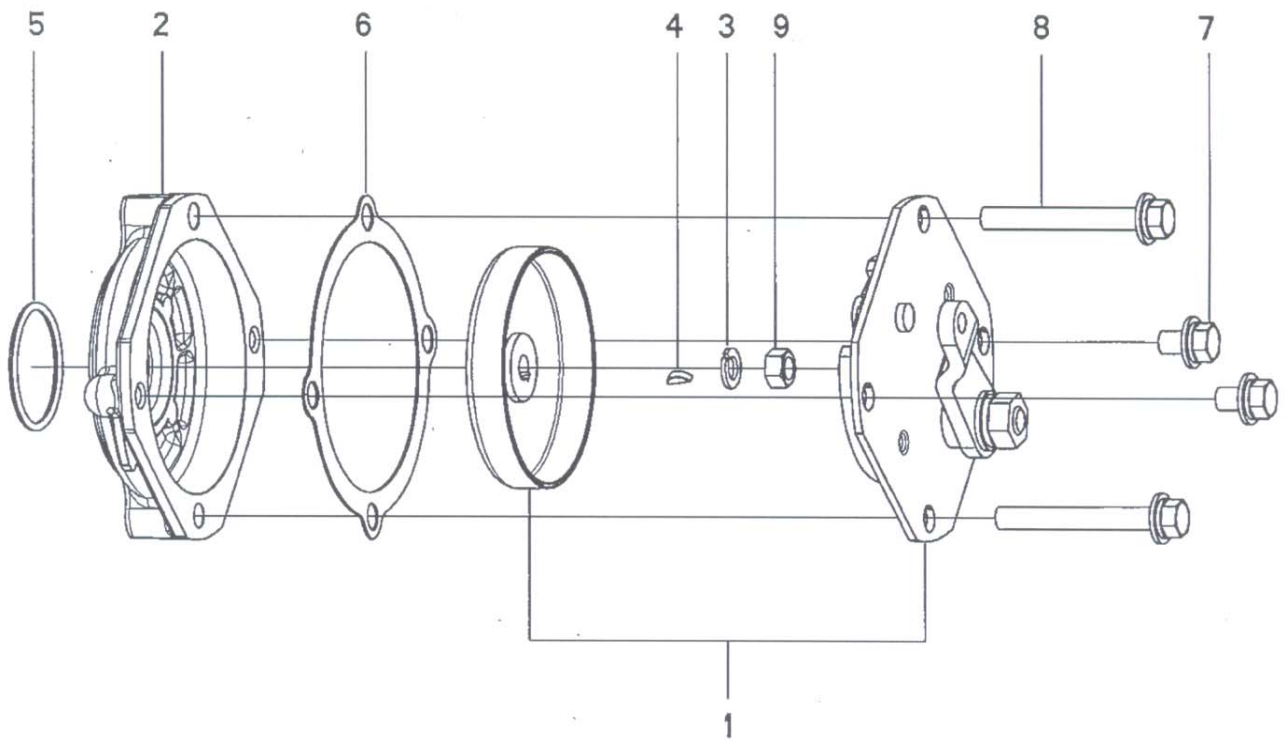


Utgåva Issue		Bildnr Picture No		KANZAKI HYDRAULPUMP KPS-23ALPH REGLAGE-NEUTRAL		KANZAKI HYDRAULIC PUMP KPS-23ALPH CONTROL-NEUTRAL		Sida Page	
2015-11		BL1051						8	
Pos. Fig.	Antal/Quantity				Art nr Part No	Benämning	Description	Sats Kit	Anmärkning Notes
	KPS -23 ALPH								
A01	1				1139-1711-01	Lock A kpl.....	Side cover A assy.....		Inkl. pos 2-4
A04	1				1139-1682-01	• Packning	• Packing.....		
A05	1				1139-1712-01	Lock B kpl.....	Side cover B assy.....		Inkl. pos 6-8
A08	1				1139-1682-01	• Packning	• Packing.....		
A09	1				1139-1166-01	Tapp	Pin		
A10	1				1139-1612-01	Platta	Plate.....		
A11	1				1139-1611-01	Tryckbricka.....	Thrust plate		
A12	1				1139-1613-01	Tätningring.....	Seal.....		
A13	2				1139-1586-01	Skruv.....	Bolt.....		
A14	8				1139-1692-01	Skruv.....	Bolt.....		
B01	1				1139-1565-01	Arm.....	Lever		
B02	1				1139-1555-01	Vridcentrum.....	Fulcrum		
B03	1				1135-3751-01	Returfjäder.....	Return spring.....		
B04	1				1139-1102-01	Bricka	Washer.....		
B05	1				1139-1574-01	Låsring.....	Ring.....		
B06	2				1139-1588-01	Skruv.....	Bolt.....		
B07	1				1139-1127-01	Mutter	Nut.....		

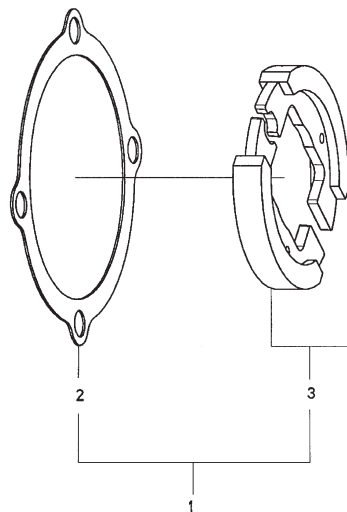
A



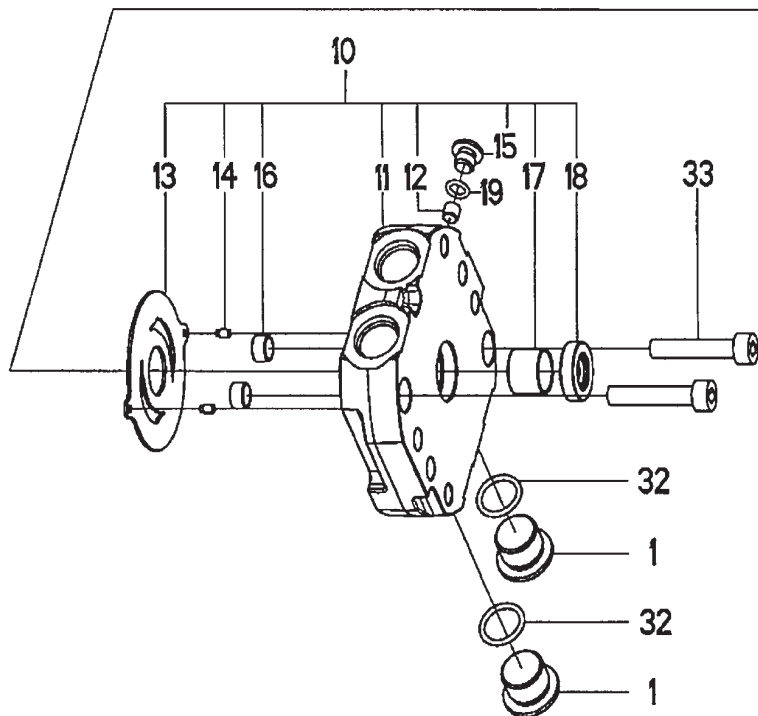
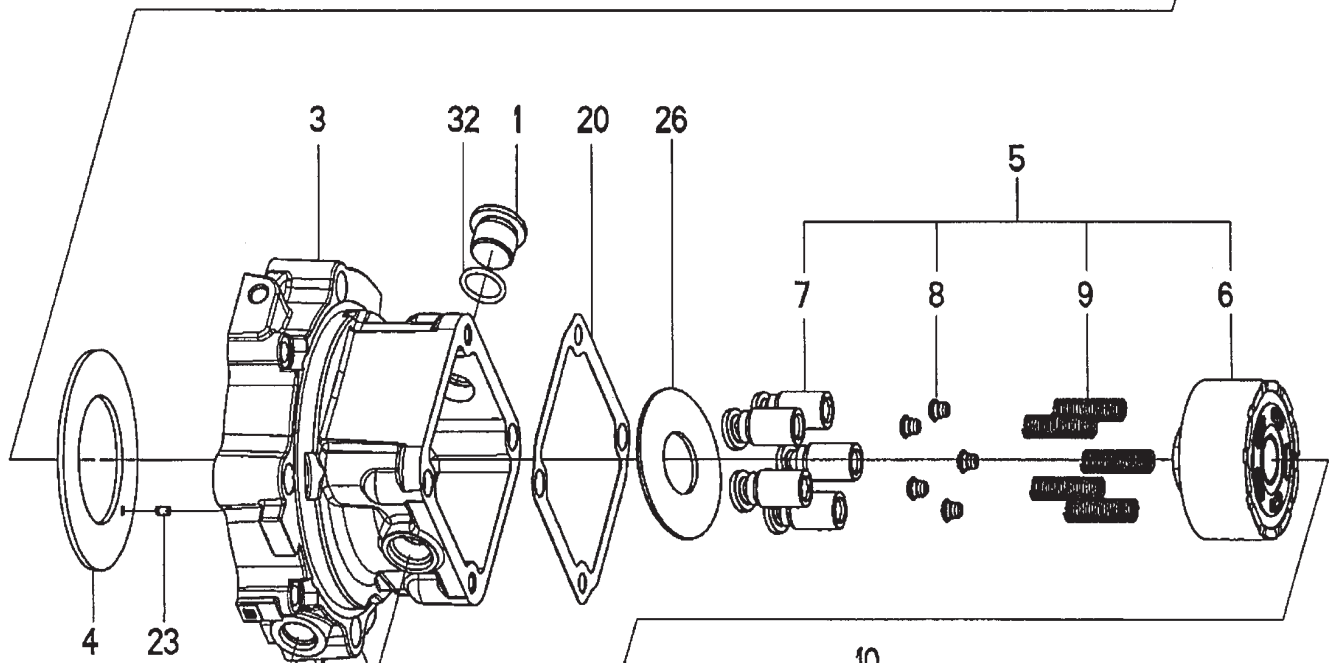
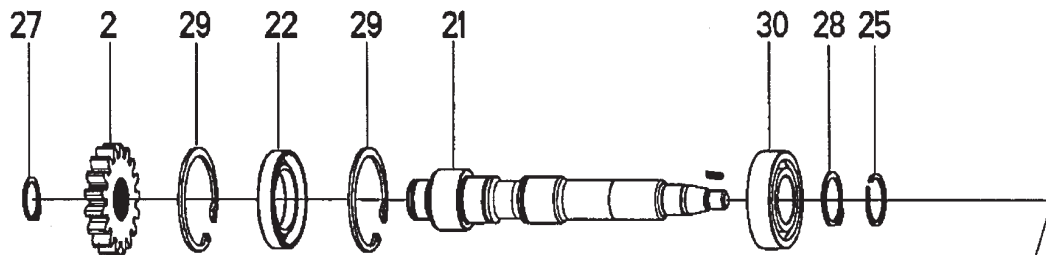
B



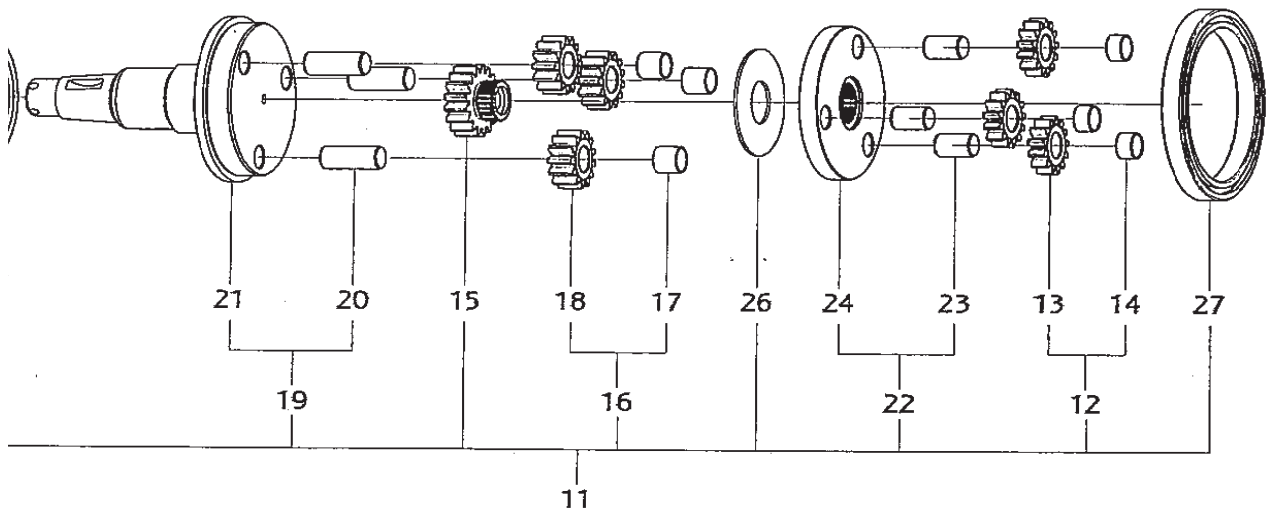
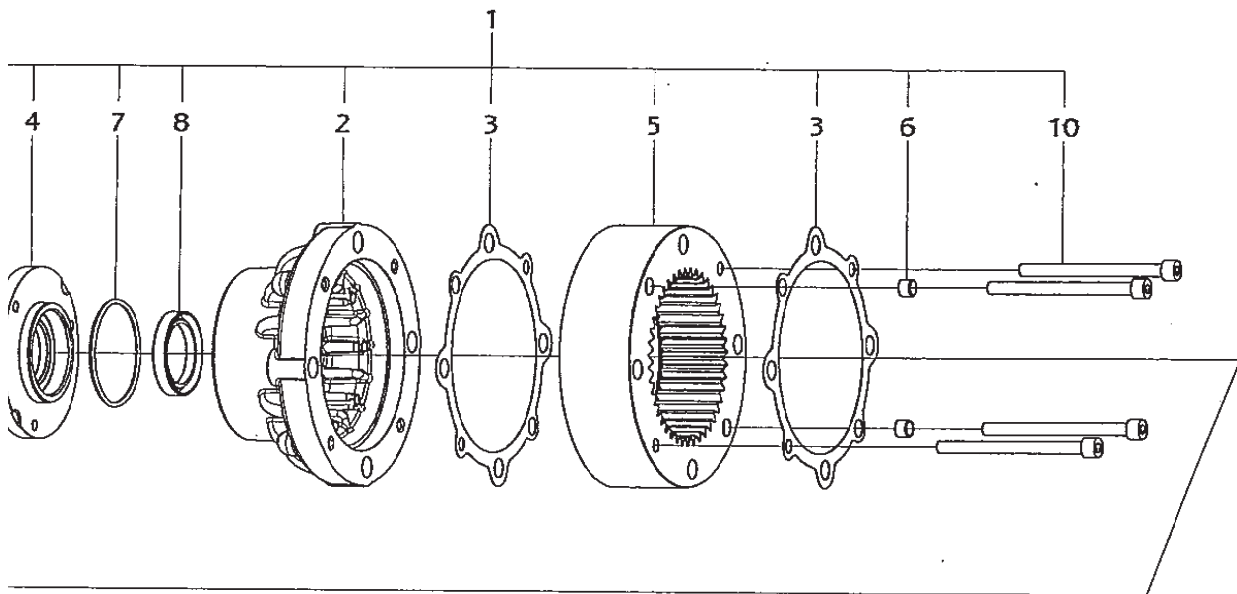
C



Utgåva Issue		Bildnr Picture No		KANZAKI HJULMOTOR KWM 13S-186G MOTOR KPL-BROMS		KANZAKI WHEEL ENGINE KWM 13S-186C MOTOR ASSY-BRAKE		Sida Page	
2015-72		BL1046						2	
Pos. Fig.	Antal/Quantity				Art nr Part No	Benämning	Description	Sats Kit	Anmärkning Notes
	KWM 13S- 186G								
X A01	1				1137-0960-01	Hydraulmotor	Hydraulic motor		KWM 13S-186G
B01	1				1139-1753-01	Broms kpl	Brake assy		
B02	1				1139-1650-01	Bromshus	Brake case		
B03	1				1139-1577-01	Bricka	Washer		
B04	1				1139-1578-01	Kil	Key		
B05	1				1139-1580-01	Packning	Packing		
B06	1				1139-1698-01	Packning	Packing		
B07	2				1139-1714-01	Bult	Bolt		
B08	2				1139-1538-01	Skruv	Bolt w/washer		
B09	1				1139-1589-01	Mutter	Nut		
X C01	1				1139-1705-01	Broms	Brake	Inkl. pos 2-3	
C02	1				1139-1698-01	• Packning	• Packing		

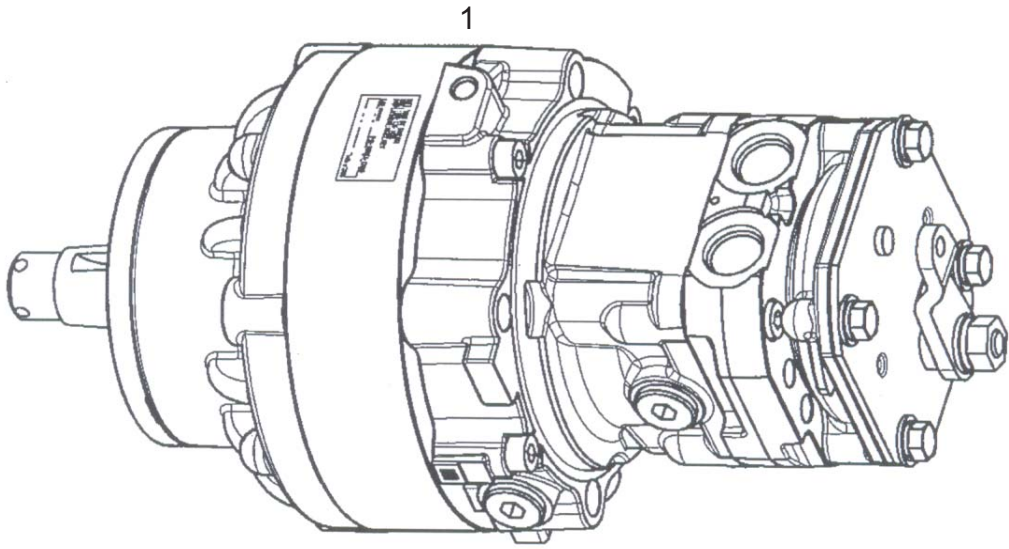


Utgåva Issue 2015-72		Bildnr Picture No BL1047		KANZAKI HJULMOTOR KWM 13S-186G MOTOR		KANZAKI WHEEL ENGINE KWM 13S-186G MOTOR		Sida Page 4	
Pos. Fig.	Antal/Quantity				Art nr Part No	Benämning	Description	Sats Kit	Anmärkning Notes
	KWM 13S- 186G								
1	4				1139-1569-01	Plugg 1/2"	Plug 1/2"		Inkl. pos 6-9 Inkl. pos 11-19
2	1				1139-1625-01	Drev	Sun gear		
3	1				1139-1702-01	Hus	Housing		
4	1				1139-1627-01	Platta	Plate		
5	1				1139-1628-01	Tryckblock kpl.	Plunger block assy		
10	1				1139-1704-01	Centrumhus kpl	Center case assy		
13	1				1139-1630-01	• Ventilplatta	• Valve plate		
14	2				1139-1058-01	• Stift	• Knock pin		
15	1				1139-1696-01	• Plugg 1/8"	• Plug 1/8"		
16	2				1139-1166-01	• Tapp	• Pin		
18	1				1139-1614-01	• Tätningsring	• Seal		
19	1				1139-1713-01	• Packning	• Packing		
20	1				1135-3981-01	Packning (GRC)	Packing (GRC)		
21	1				1139-1632-01	Axel	Shaft		
22	1				1139-1633-01	Tätningring	Oil seal		
23	1				1139-1058-01	Stift	Knock pin		
24	2				1139-1572-01	Plugg 3/8"	Plug 3/8"		
25	1				1139-1615-01	Hållare	Retainer		
26	1				1139-1616-01	Tryckbricka	Thrust plate		
27	1				1139-1278-01	Låsring 16	Ring 16		
28	1				1139-1678-01	Låsring 20	Ring 20		
29	2				1139-1444-01	Låsring 42	Ring 42		
30	1				1139-0233-01	Kullager	Ball bearing		
31	2				1139-1115-01	O-ring	O-ring		
32	4				1139-1579-01	Packning	Packing		
33	2				1139-1716-01	Bult	Bolt		

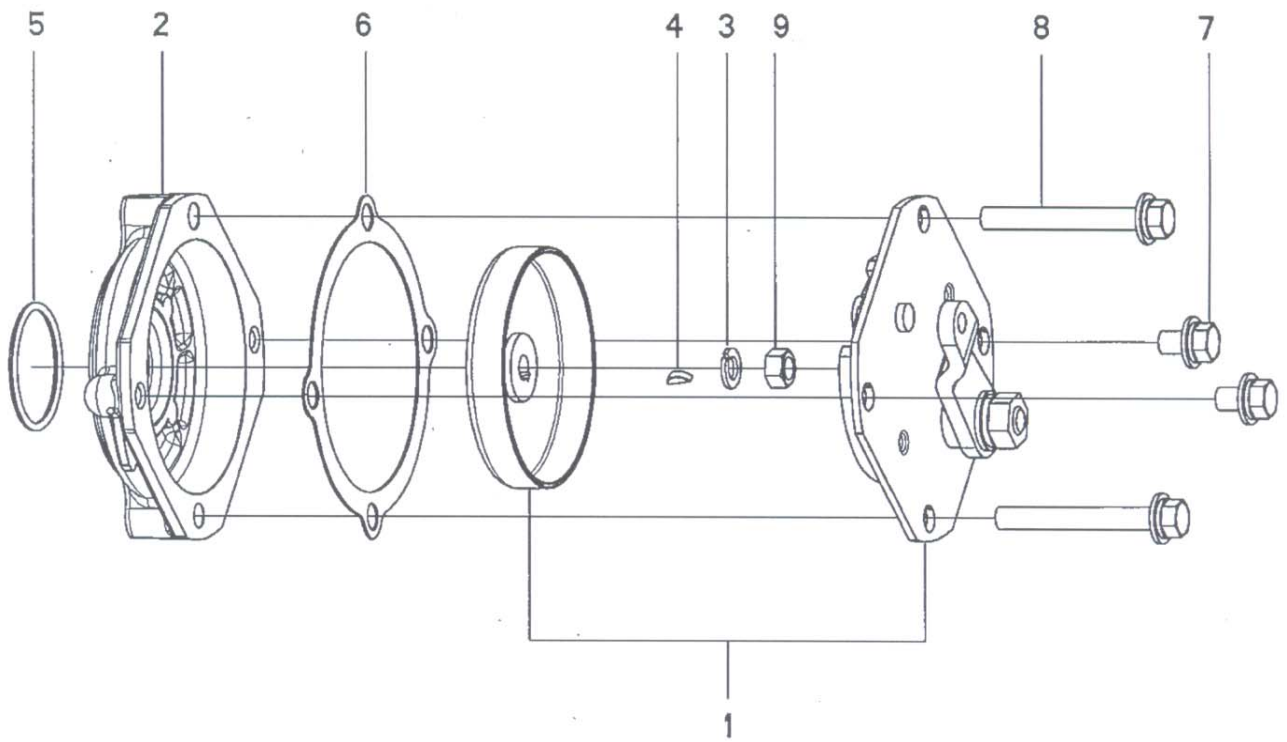


Utgåva Issue 2015-72		Bildnr Picture No BL1012		KANZAKI HJULMOTOR KWM 13S-186G AXEL KPL		KANZAKI WHEEL ENGINE KWM 13S-186C AXLE ASSY		Sida Page 6	
Pos. Fig.	Antal/Quantity				Art nr Part No	Benämning	Description	Sats Kit	Anmärkning Notes
	KWM 13S- 186G								
1	1				1139-1634-01	Axel kpl	Axle assy		Inkl. pos 2-10
2	1				1139-1635-01	• Axelhus	• Axle case		
3	2				1139-1636-01	• Packning	• Packing		
4	1				1139-1637-01	• Lock	• Seal cover		
5	1				1139-1697-01	• Kuggkrans	• Internal gear		
6	2				1139-1166-01	• Tapp	• Pin		
7	1				1139-1682-01	• Packning	• Packing		
8	1				1139-1684-01	• Tätningsring	• Seal		
9	3				1139-1688-01	• Skruv	• Bolt		
10	4				1139-1691-01	• Bult	• Bolt		
11	1				1139-1699-01	Axel kpl	Axle shaft assy		Inkl. pos 12-27
12	3				1139-1645-01	• Drev kpl	• Gear 1st assy		Inkl. pos 13-14
15	1				1139-1640-01	• Drev	• Sun gear 2nd		
16	3				1139-1701-01	• Drev kpl	• Gear 2nd assy		Inkl. pos 17-18
19	1				1139-1700-01	• Axel kpl	• Shaft assy		Inkl. pos 20-21
22	1				1139-1644-01	• Medbringare kpl	• Carrier assy		Inkl. pos 23-24
25	1				1139-1675-01	• Kullager	• Ball bearing		
26	1				1139-1641-01	• Platta	• Plate		
27	1				1139-1642-01	• Lager	• Bearing		

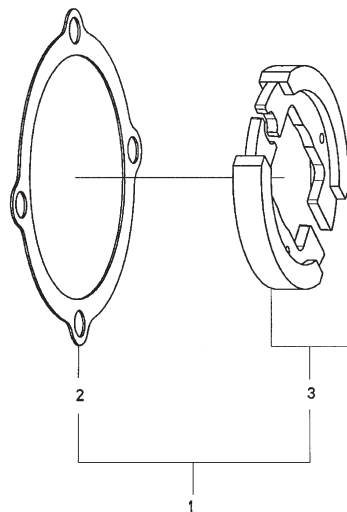
A



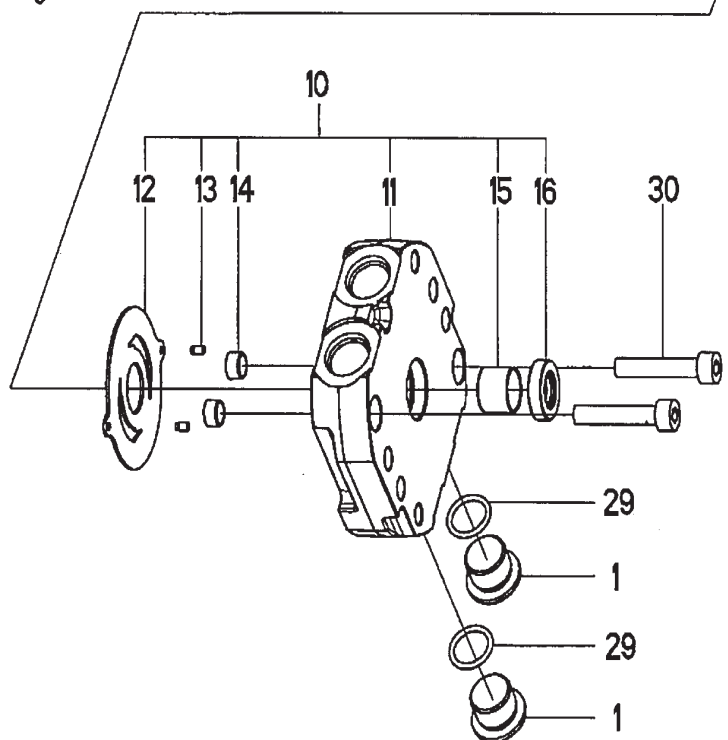
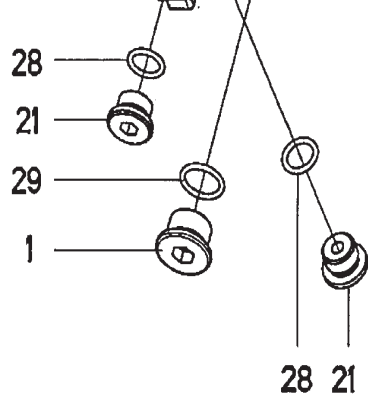
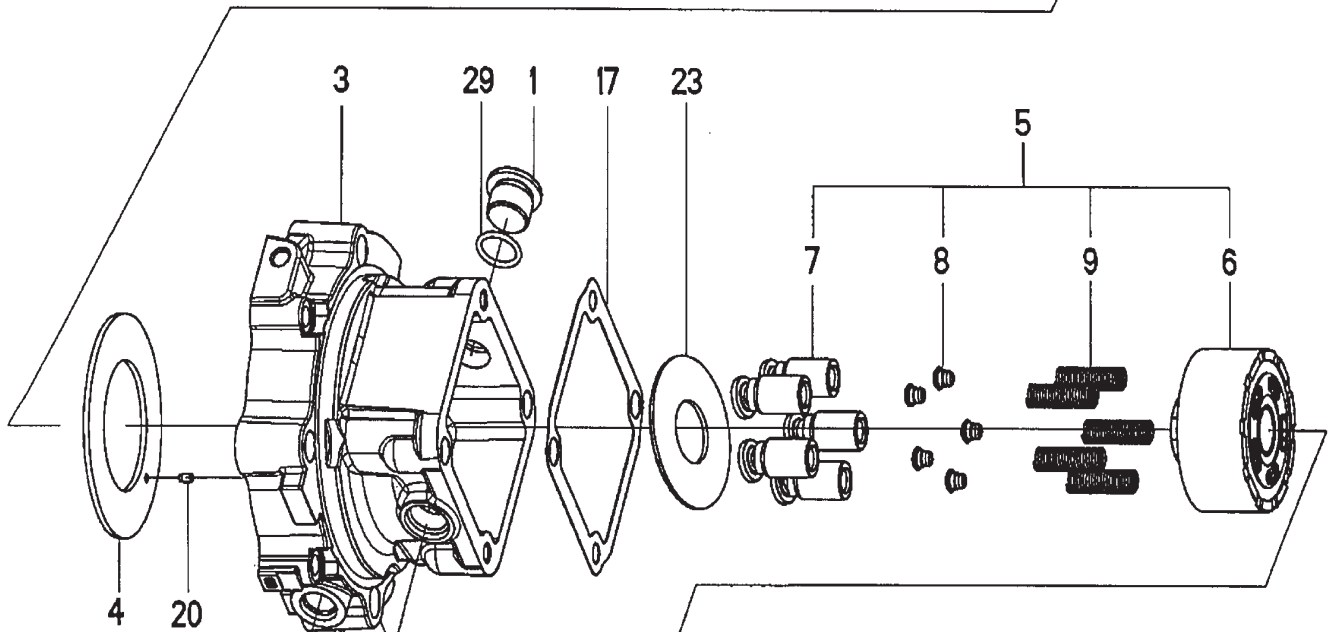
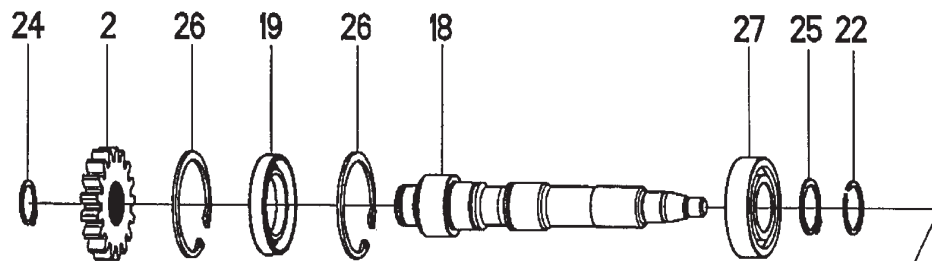
B



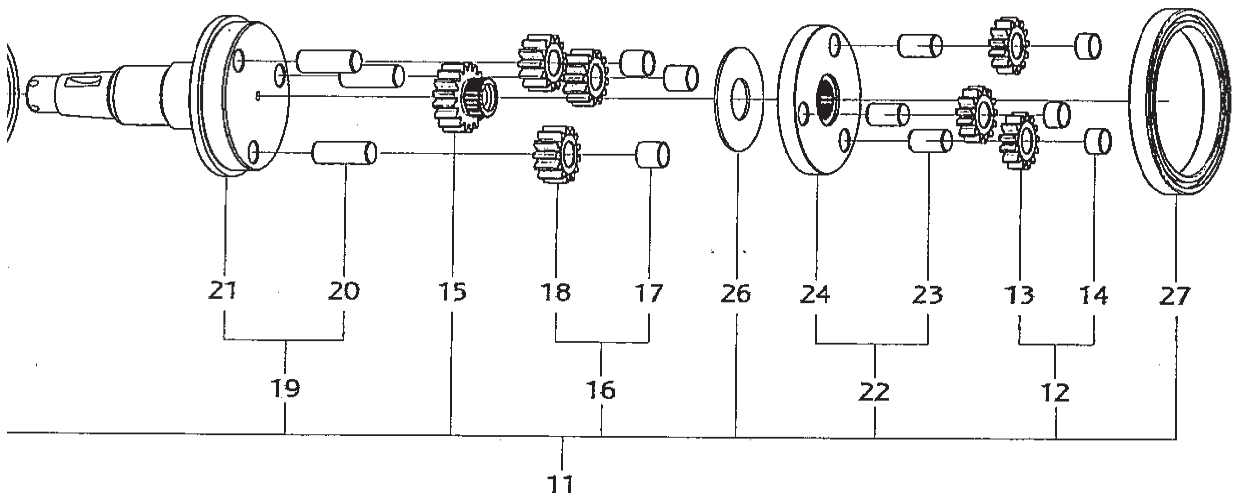
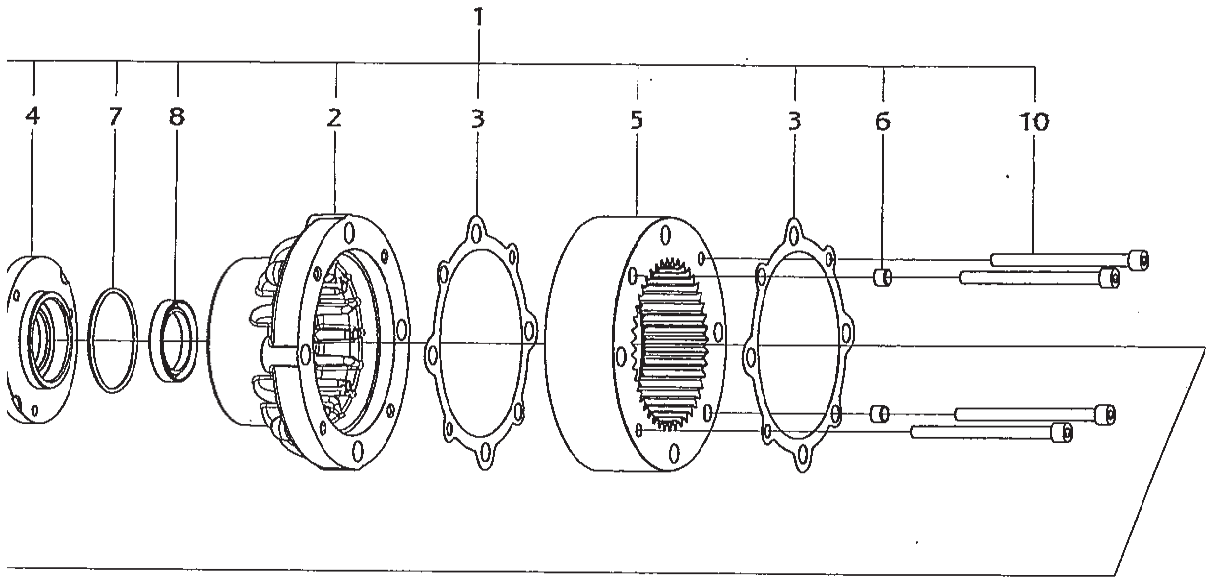
C



Utgåva Issue 2015-72		Bildnr Picture No BL1046		KANZAKI HJULMOTOR KWM 13S-186H MOTOR KPL-BROMS		KANZAKI WHEEL ENGINE KWM 13S-186H MOTOR ASSY-BRAKE		Sida Page 8	
Pos. Fig.	Antal/Quantity				Art nr Part No	Benämning	Description	Sats Kit	Anmärkning Notes
	KWM 13S- 186H								
X A01	1				1137-0961-01	Hydraulmotor	Hydraulic motor		KWM 13S-186D
B01	1				1139-1753-01	Broms kpl	Brake assy		
B02	1				1139-1650-01	Bromshus	Brake case		
B03	1				1139-1577-01	Bricka	Washer		
B04	1				1139-1578-01	Kil	Key		
B05	1				1139-1580-01	Packning	Packing		
B06	1				1139-1698-01	Packning	Packing		
B08	2				1139-1538-01	Skruv	Bolt w/washer		
B09	1				1139-1589-01	Mutter	Nut		
X C01	1				1139-1705-01	Broms	Brake		
C02	1				1139-1698-01	• Packning	• Packing		



Utgåva Issue 2010-72		Bildnr Picture No BL1048		KANZAKI HJULMOTOR KWM 13S-186H MOTOR		KANZAKI WHEEL ENGINE KWM 13S-186H MOTOR		Sida Page 10	
Pos. Fig.	Antal/Quantity				Art nr Part No	Benämning	Description	Sats Kit	Anmärkning Notes
	KWM 13S- 186D								
1	4				1139-1569-01	Plugg 1/2"	Plug 1/2"		Inkl. pos 6-9 Inkl. pos 11-16
2	1				1139-1625-01	Drev	Sun gear		
3	1				1139-1702-01	Hus	Housing		
4	1				1139-1627-01	Platta	Plate		
5	1				1139-1628-01	Tryckblock kpl.	Plunger block assy		
10	1				1139-1703-01	Centrumhus kpl	Center case assy		
12	1				1139-1630-01	• Ventilplatta	• Valve plate		
13	2				1139-1058-01	• Stift	• Knock pin		
14	2				1139-1166-01	• Tapp	• Pin		
16	1				1139-1614-01	• Tätningsring	• Seal		
17	1				1135-3981-01	Packning (GRC)	Packing (GRC)		
18	1				1139-1632-01	Axel	Shaft		
19	1				1139-1633-01	Tätningsring	Oil seal		
20	1				1139-1058-01	Stift	Knock pin		
21	2				1139-1572-01	Plugg 3/8"	Plug 3/8"		
22	1				1139-1615-01	Hållare	Retainer		
23	1				1139-1616-01	Tryckbricka	Thrust plate		
24	1				1139-1278-01	Låsring 16	Ring 16		
25	1				1139-1678-01	Låsring 20	Ring 20		
26	2				1139-1444-01	Låsring 42	Ring 42		
27	1				1139-0233-01	Kullager	Ball bearing		
28	2				1139-1115-01	O-ring	O-ring		
29	4				1139-1579-01	Packning	Packing		
30	2				1139-1716-01	Bult	Bolt		



Utgåva Issue 2015-72		Bildnr Picture No BL1012		KANZAKI HJULMOTOR KWM 13S-186H AXEL KPL		KANZAKI WHEEL ENGINE KWM 13S-186H AXLE ASSY		Sida Page 12	
Pos. Fig.	Antal/Quantity				Art nr Part No	Benämning	Description	Sats Kit	Anmärkning Notes
	KWM 13S- 186H								
1	1				1139-1634-01	Axel kpl	Axle assy		Inkl. pos 2-10
2	1				1139-1635-01	• Axelhus	• Axle case		
3	2				1139-1636-01	• Packning	• Packing		
4	1				1139-1637-01	• Lock	• Seal cover		
5	1				1139-1697-01	• Kuggkrans	• Internal gear		
6	2				1139-1166-01	• Tapp	• Pin		
7	1				1139-1682-01	• Packning	• Packing		
8	1				1139-1684-01	• Tätningsring	• Seal		
9	3				1139-1688-01	• Skruv	• Bolt		
10	4				1139-1691-01	• Bult	• Bolt		
11	1				1139-1699-01	Axel kpl	Axle shaft assy		Inkl. pos 12-27
12	3				1139-1645-01	• Drev kpl	• Gear 1st assy		Inkl. pos 13-14
15	1				1139-1640-01	• Drev	• Sun gear 2nd		
16	3				1139-1701-01	• Drev kpl	• Gear 2nd assy		Inkl. pos 17-18
19	1				1139-1700-01	• Axel kpl	• Shaft assy		Inkl. pos 20-21
22	1				1139-1644-01	• Medbringare kpl	• Carrier assy		Inkl. pos 23-24
25	1				1139-1675-01	• Kullager	• Ball bearing		
26	1				1139-1641-01	• Platta	• Plate		
27	1				1139-1642-01	• Lager	• Bearing		