



## **Reservdelskatalog Parts Catalogue**

# **78 Combi Multiclip**

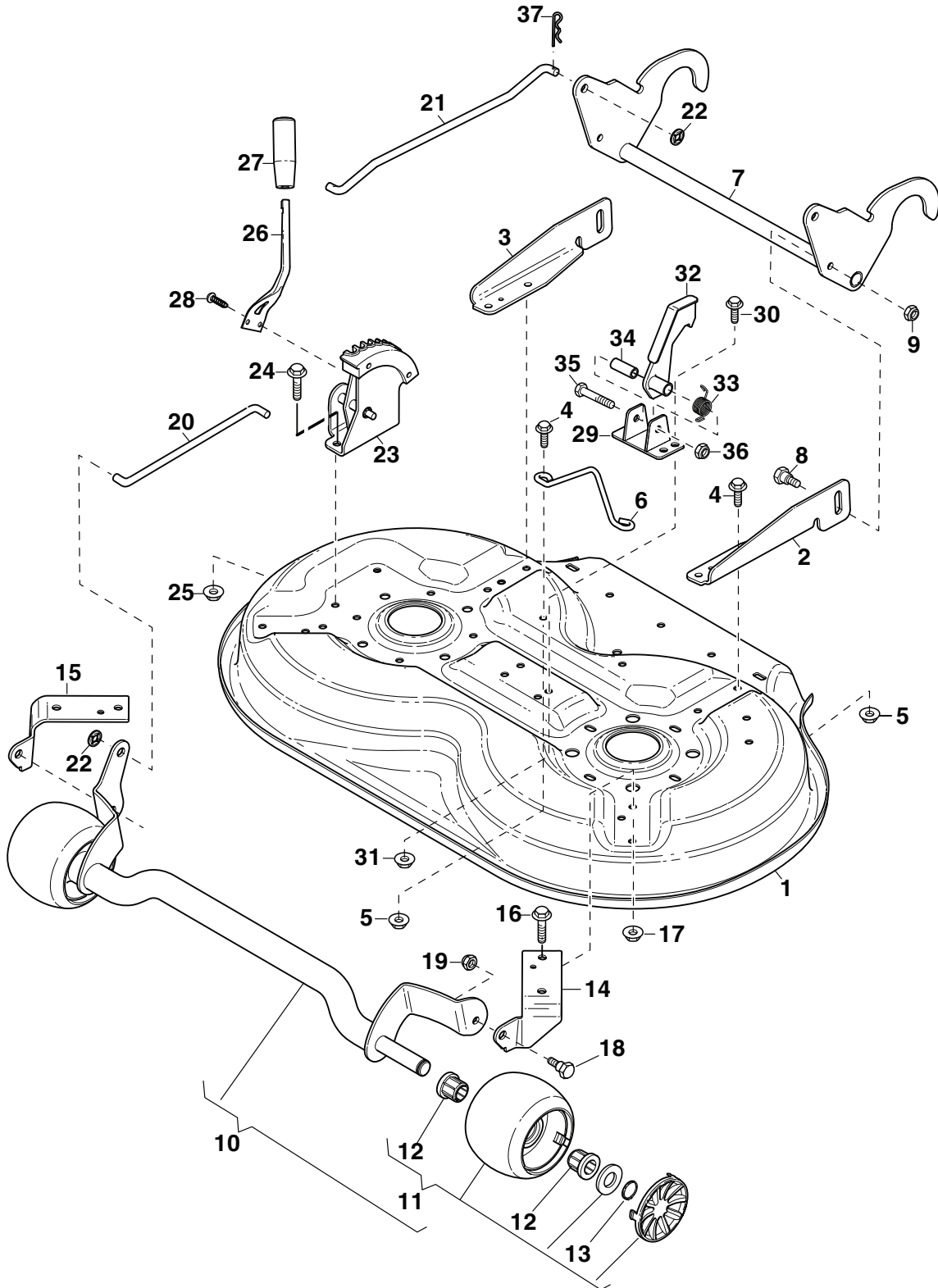
**13-5811-51 - Season 2015**

- Use GLOBAL GARDEN PRODUCT Genuine Spare Parts specified in the parts list for repair and/or replacement.
  - The contents described in the parts list may change due to improvement.
  - The drawings of the spare parts are only indicative and might not represent the part in question exactly.
  - The indications "right" - "left" - "front" - "rear" refer to the position of the operator when using the machine.
- When placing orders of parts for repair and/or replacement, make sure that the illustrated parts list is the one applying to the machine's year of manufacture, as shown on the identification plate attached to the machine.

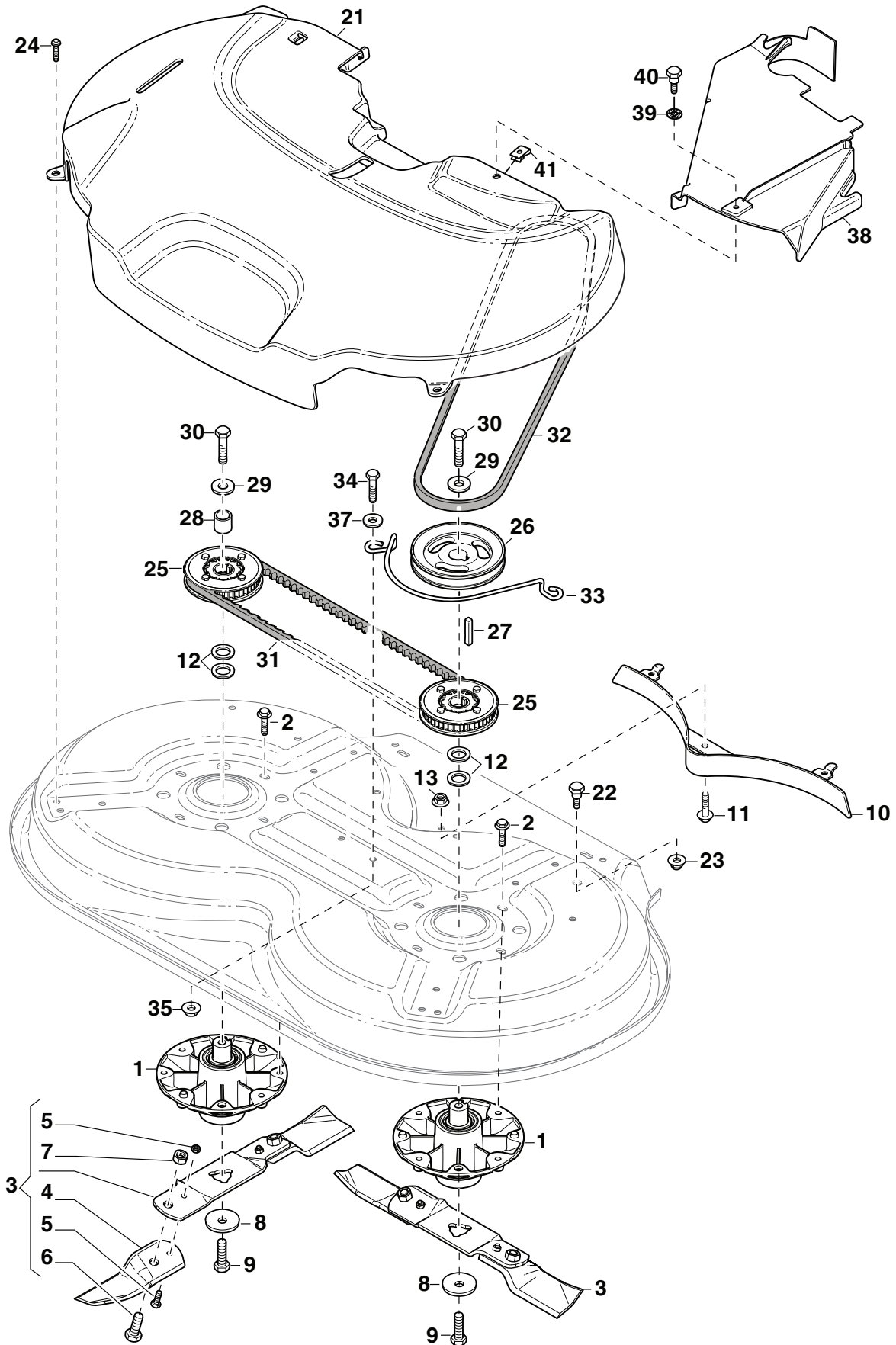
© Copyright 2014 Global Garden Products

All rights reserved. No part of this material may be reproduced or transmitted, in any form or by any means, electronic or mechanical, including photocopying, recording or by any information storage and retrieval system, without permission in writing from GLOBAL GARDEN PRODUCTS.

[www.stiga.com](http://www.stiga.com)



Utgåva Issue 1 - 2014		Ram		Frame	
Pos. Fig.	Antal Quantity	Art nr Part No	Benämning	Description	Anmärkning Notes
1	1	1137-0994-01	Kapa	Carter	Villa 320 Black
2	1	1137-0942-01	Stöd-Vä	Support, Left	
3	1	1137-0942-02	Stöd-Vä	Support, Left	
4	6	9959-0820-16	Skruv	Screw	
5	6	112154220/0	Mutter	Nut	
6	1	1137-0929-01	Stöd	Support	
7	1	1137-0943-01	Fäste	Bracket	
8	2	1134-0240-00	Skruv	Screw	
9	2	112155000/0	Mutter	Nut	
10	1	1134-6735-02	Frontrör	Front Tube Assy	
11	2	1134-9139-01	Stödhjulssats	Support Wheel Kit	
12	1	1134-9024-01	Lager (4 St)	Bearing	
13	1	9650-0020-04	Sparring Sga 20	Circlip	
14	1	1134-6594-01	Konsol-Vä	Bracket-Lh	
15	1	1134-6594-02	Konsol-Hö	Bracket-Rh	
16	4	9959-0820-16	Skruv	Screw	
17	4	112154220/0	Mutter	Nut	
18	2	1134-0240-00	Skruv	Screw	
19	2	112155000/0	Mutter	Nut	
20	1	1134-6599-01	Stag	Strut	
21	1	1137-0949-01	Stang	Rod	
22	3	112604903/0	Bricka	Washer	
23	1	1134-6755-01	Nivakonsol Kpl	Level Bracket Assy	
24	2	9959-0820-16	Skruv	Screw	
25	2	112154220/0	Mutter	Nut	
26	1	1111-2816-01	Spak	Lever, Height Adjustment	
27	1	9403-0063-01	Knopp	Lever Knob	
28	2	9893-0616-16	Skruv   Relä	Screw   Relay	
29	1	1137-1019-01	Fäste	Bracket	
30	2	9959-0820-16	Skruv	Screw	
31	2	112154220/0	Mutter	Nut	
32	1	1137-1022-01	Hake Tvättläge	Fastener	
33	1	1137-1025-01	Fajder	Spring	
34	1	1134-1565-16	Distans	Spacer	
35	1	112691400/0	Skruv	Screw	
36	1	112155000/0	Mutter	Nut	
37	1	9599-0054-02	SaxSprint	Split Pin	



Utgåva Issue 1 - 2014		Transmission Knivar		Transmission and Blades	
Pos. Fig.	Antal Quantity	Art nr Part No	Benämning	Description	Anmärkning Notes
1	2	1134-6613-02	Bearing box Kpl	Shaft Flange Assy	
2	8	9945-0825-16	Skruv	Screw	
3	1	1134-9129-01	Knivbalk Kpl	Blade Bar Ass.Y	Sats 2 st/ Kit of 2
4	1	1134-9130-01	Knivsats	Blade Kit	Sats 2 st/ Kit of 2
5	1	1134-9054-01	Brytbultsats	Shear Bolt Kit	
6	2	1134-6311-01	Bult	Bolt	
7	2	1134-6312-01	Mutter	Nut	
8	2	1134-6211-01	Bricka	Washer	
9	2	112794900/0	Skruv	Screw	
10	1	1134-6590-01	CombiPlugg Kpl (5-01)	Mulch Plug	Villa 320
11	1	9959-0820-16	Skruv	Screw	
12	4	1134-0341-01	Bricka	Washer	
13	1	112154220/0	Mutter	Nut	
21	1	1137-1014-01	Remskydd	Belt Cover	Gul/Yellow
22	1	1134-0240-00	Skruv	Screw	
23	1	112154220/0	Mutter	Nut	
24	3	9893-0616-16	Skruv   Relä	Screw   Relay	
25	1	1134-9137-01	Kuggremskiva	Toothed Belt Pulley	Sats 2 st/ Kit of 2
26	1	1137-0950-01	Remskiva	Belt Pulley	Villa 320
27	1	9600-0168-01	Kil	Key	
28	1	1134-5124-02	Distans	Spacer	
29	2	1134-5406-01	Bricka	Washer	
30	2	112691400/0	Skruv	Screw	
31	1	1134-9133-01	Kuggrem	Toothed Belt	Villa 320
32	1	1134-9169-01	Drivrem	Drive Belt	Villa 320
33	1	1134-7017-01	Remstyrning	Belt Guide	Villa 320
34	2	9959-0820-16	Skruv	Screw	
35	2	112154220/0	Mutter	Nut	
37	4	112523060/0	Bricka	Washer	
38	1	1137-1016-01	Remskydd	Case	
39	1	9675-0016-02	Låsbricka starlock	Starlock	
40	1	1134-0240-00	Skruv	Screw	
41	1	1134-4620-02	Fjädermutter	Nut	

code	pos.	q.ty	page				
1111-2816-01	26	1	p. 3	112604903/0	22	3	p. 3
1134-0240-00	8	2	p. 3	112691400/0	30	2	p. 5
1134-0240-00	18	2	p. 3	112691400/0	35	1	p. 3
1134-0240-00	22	1	p. 5	112794900/0	9	2	p. 5
1134-0240-00	40	1	p. 5				
1134-0341-01	12	4	p. 5				
1134-1565-16	34	1	p. 3				
1134-4620-02	41	1	p. 5				
1134-5124-02	28	1	p. 5				
1134-5406-01	29	2	p. 5				
1134-6211-01	8	2	p. 5				
1134-6311-01	6	2	p. 5				
1134-6312-01	7	2	p. 5				
1134-6590-01	10	1	p. 5				
1134-6594-01	14	1	p. 3				
1134-6594-02	15	1	p. 3				
1134-6599-01	20	1	p. 3				
1134-6613-02	1	2	p. 5				
1134-6735-02	10	1	p. 3				
1134-6755-01	23	1	p. 3				
1134-7017-01	33	1	p. 5				
1134-9024-01	12	1	p. 3				
1134-9054-01	5	1	p. 5				
1134-9129-01	3	1	p. 5				
1134-9130-01	4	1	p. 5				
1134-9133-01	31	1	p. 5				
1134-9137-01	25	1	p. 5				
1134-9139-01	11	2	p. 3				
1134-9169-01	32	1	p. 5				
1137-0929-01	6	1	p. 3				
1137-0942-01	2	1	p. 3				
1137-0942-02	3	1	p. 3				
1137-0943-01	7	1	p. 3				
1137-0949-01	21	1	p. 3				
1137-0950-01	26	1	p. 5				
1137-0994-01	1	1	p. 3				
1137-1014-01	21	1	p. 5				
1137-1016-01	38	1	p. 5				
1137-1019-01	29	1	p. 3				
1137-1022-01	32	1	p. 3				
1137-1025-01	33	1	p. 3				
9403-0063-01	27	1	p. 3				
9599-0054-02	37	1	p. 3				
9600-0168-01	27	1	p. 5				
9650-0020-04	13	1	p. 3				
9675-0016-02	39	1	p. 5				
9893-0616-16	24	3	p. 5				
9893-0616-16	28	2	p. 3				
9945-0825-16	2	8	p. 5				
9959-0820-16	4	6	p. 3				
9959-0820-16	11	1	p. 5				
9959-0820-16	16	4	p. 3				
9959-0820-16	24	2	p. 3				
9959-0820-16	30	2	p. 3				
9959-0820-16	34	2	p. 5				
112154220/0	5	6	p. 3				
112154220/0	13	1	p. 5				
112154220/0	17	4	p. 3				
112154220/0	23	1	p. 5				
112154220/0	25	2	p. 3				
112154220/0	31	2	p. 3				
112154220/0	35	2	p. 5				
112155000/0	9	2	p. 3				
112155000/0	19	2	p. 3				
112155000/0	36	1	p. 3				
112523060/0	37	4	p. 5				