



Reservdelskatalog Parts Catalogue

Villa FM (Black line)

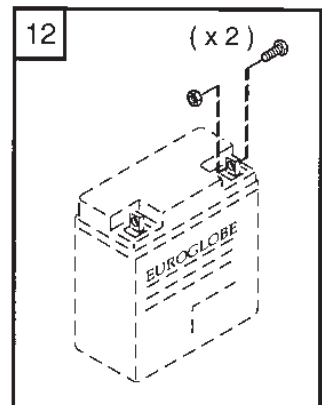
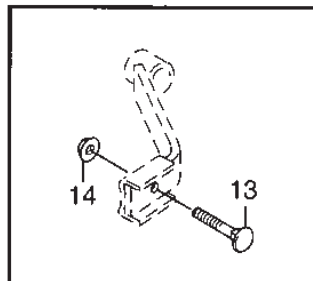
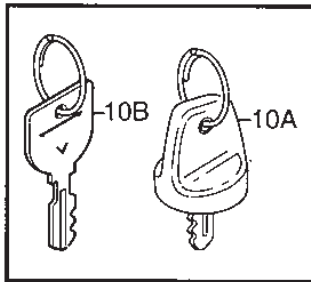
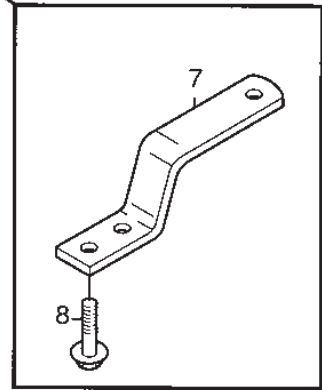
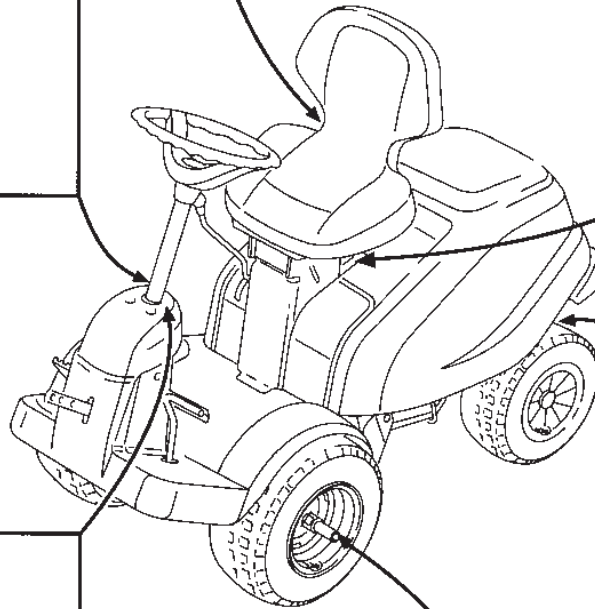
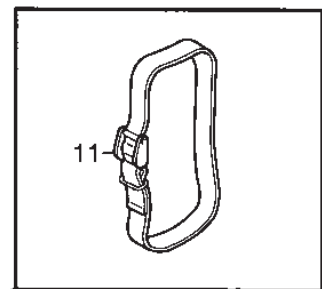
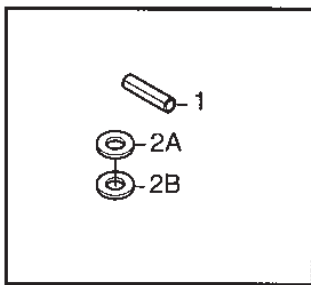
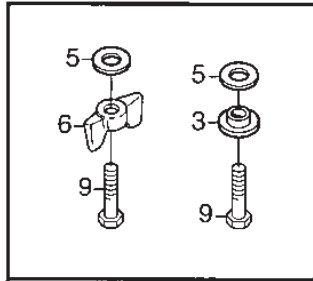
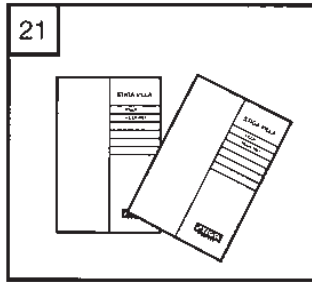
13-2733-20 - Season 2014

- Use GLOBAL GARDEN PRODUCT Genuine Spare Parts specified in the parts list for repair and/or replacement.
 - The contents described in the parts list may change due to improvement.
 - The drawings of the spare parts are only indicative and might not represent the part in question exactly.
 - The indications "right" - "left" - "front" - "rear" refer to the position of the operator when using the machine.
- When placing orders of parts for repair and/or replacement, make sure that the illustrated parts list is the one applying to the machine's year of manufacture, as shown on the identification plate attached to the machine.

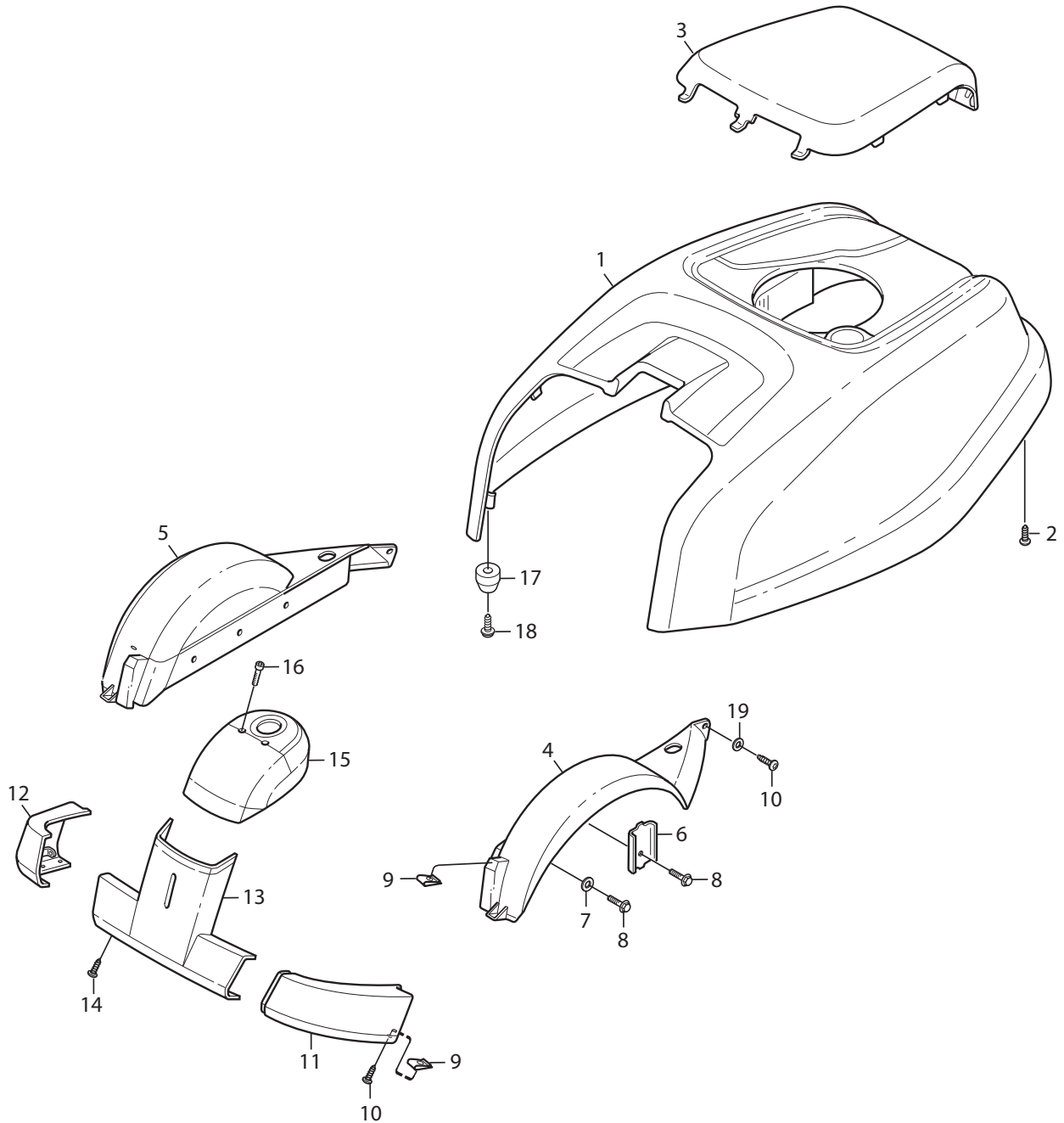
© Copyright 2014 Global Garden Products

All rights reserved. No part of this material may be reproduced or transmitted, in any form or by any means, electronic or mechanical, including photocopying, recording or by any information storage and retrieval system, without permission in writing from GLOBAL GARDEN PRODUCTS.

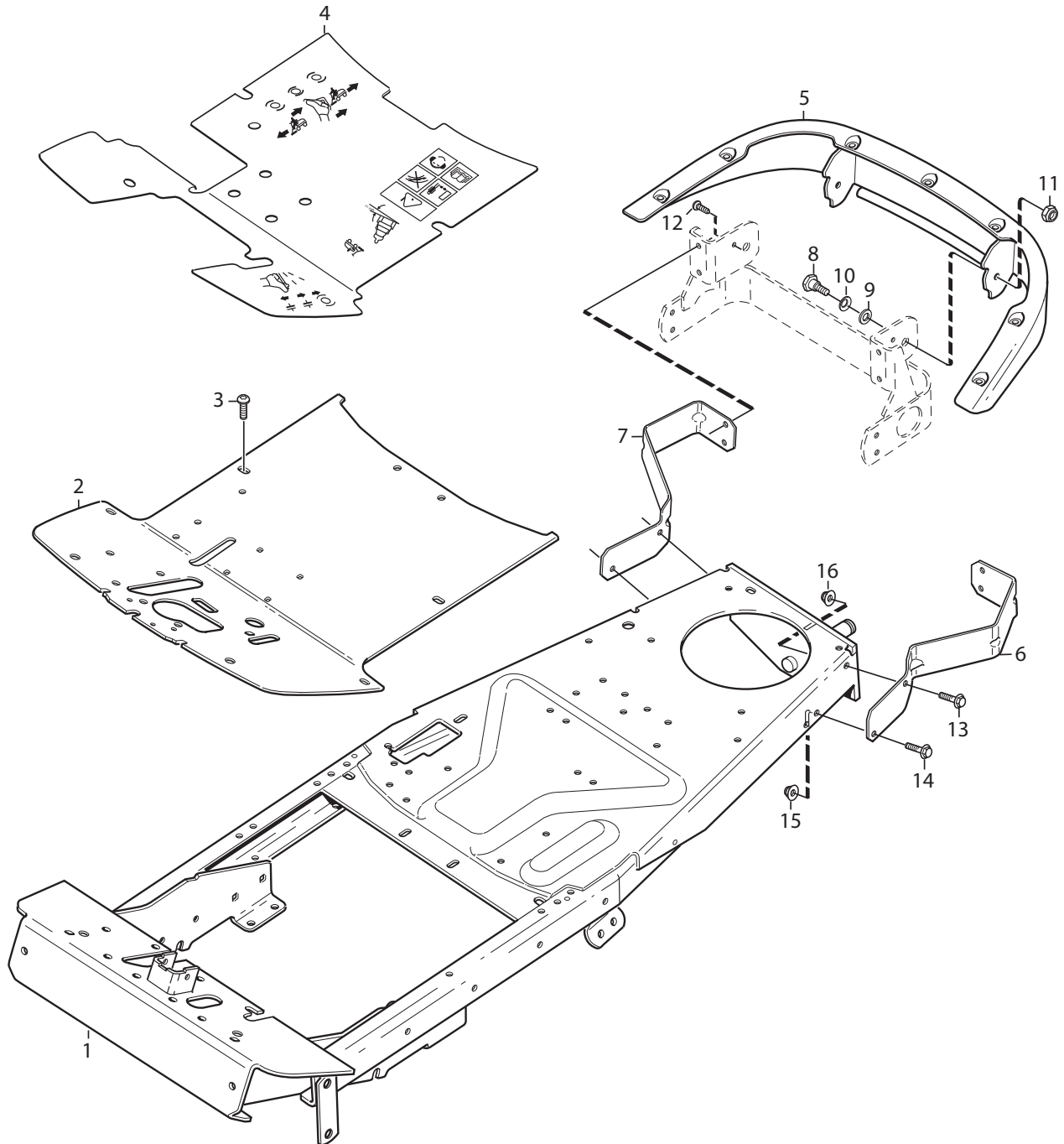
www.stiga.com



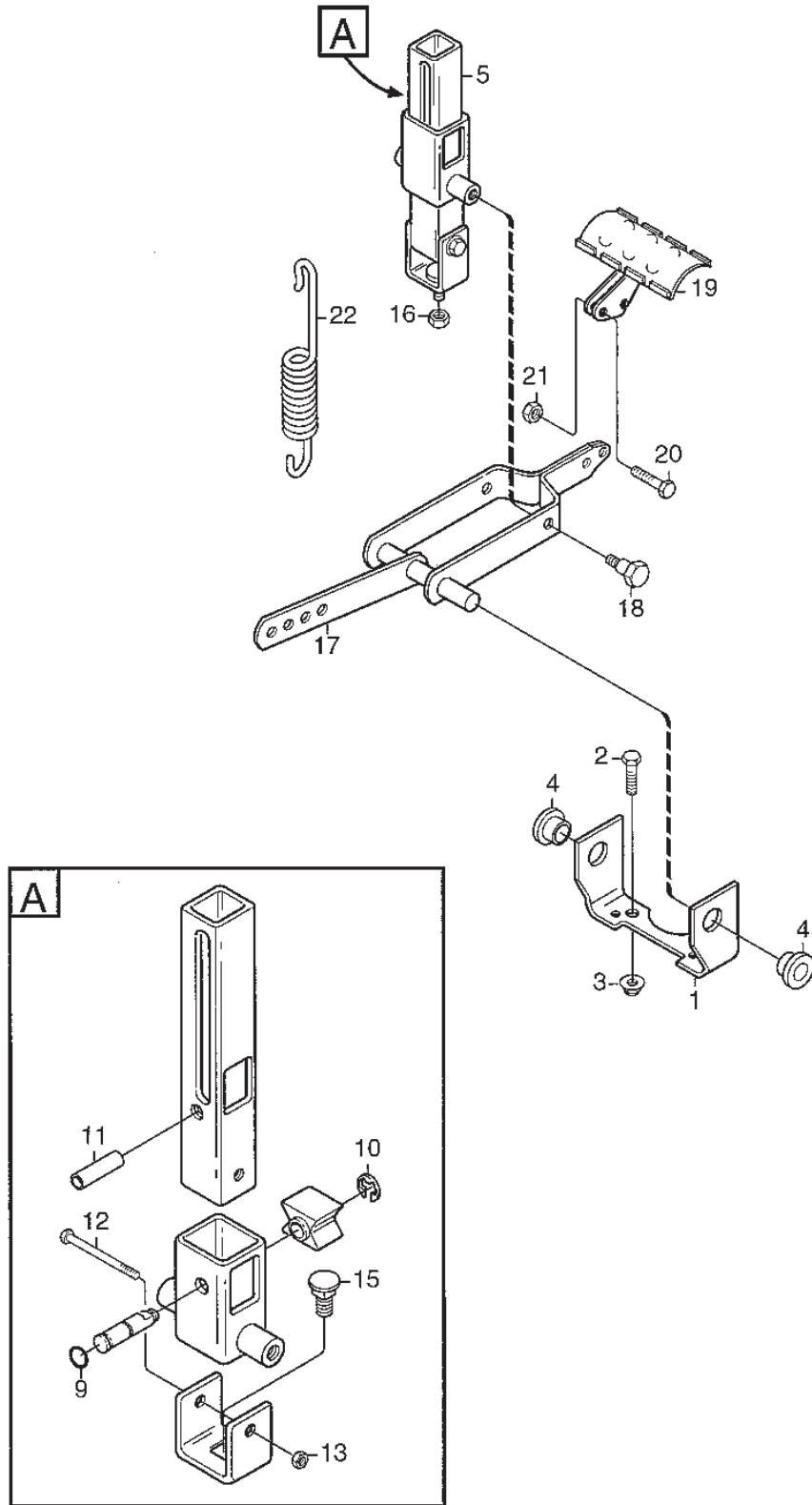
| Utgåva Issue 43 - 2014 | | Monteringsdetaljer Assembly parts | | | |
|------------------------------|-------------------|--------------------------------------|-------------|---------------|---------------------|
| Pos. Fig. | Antal Quantity | Art nr Part No | Benämning | Description | Anmärkning Notes |
| 21 | 1 | 8211-0960-90 | Garantikort | Warranty Card | |



| Utgåva Issue 43 - 2014 | | Kaross Body Work | | | |
|------------------------------|-------------------|---------------------|--------------------------|-------------------------|---------------------|
| Pos. Fig. | Antal Quantity | Art nr Part No | Benämning | Description | Anmärkning Notes |
| 1 | 1 | 1134-5283-02 | Motorhuv Gul | Engine Hood Yellow | |
| 2 | 7 | 9838-9530-12 | Skruv | Screw | |
| 3 | 1 | 1134-5284-02 | Motorlucka-Grå7-14 | Engine Cover-Grey | Grey |
| 3 | 1 | 1134-5284-03 | Motorlucka (Svart) | Engine Cover (Black) | Black |
| 4 | 1 | 1134-5307-01 | Stötfångare, fram-hö | Mud Guard-Lh (Grey) | Grey |
| 4 | 1 | 1134-5307-03 | Skärm-Vä (Svart) 5-01 | Mud Guard-Lh (Black) | Black |
| 5 | 1 | 1134-5307-02 | Skärm-Hö (Grå) 7-14 | Mud Guard-Rh (Grey) | Grey |
| 5 | 1 | 1134-5307-04 | Skärm-Hö (Svart) 5-01 | Mud Guard-Rh (Black) | Black |
| 6 | 2 | 1137-0088-01 | Stödplåt | Support Plate | |
| 7 | 4 | 9699-0056-02 | Bricka | Washer | |
| 8 | 6 | 9945-0816-16 | Skruv | Screw | |
| 9 | 4 | 1134-4176-01 | Clips | Clips | |
| 10 | 4 | 9893-0616-16 | Relä Skruv | Relay Screw | |
| 11 | 1 | 1134-5306-01 | Stötfångare Front-Vä Grå | Bumper Front-Lh (Grey) | Grey |
| 11 | 1 | 1134-5306-03 | Stötfångare, fram-vä | Bumper Front-Lh (Black) | Black |
| 12 | 1 | 1134-5306-02 | Stötfångare Front-Hö Grå | Bumper Front-Rh (Grey) | Grey |
| 12 | 1 | 1134-5306-04 | Stötfångare, fram-vä | Bumper Front-Rh (Black) | Black |
| 13 | 1 | 1134-5305-01 | Front Nedre Gul | Lower Hood Yellow | |
| 14 | 6 | 9893-0616-16 | Relä Skruv | Relay Screw | |
| 15 | 1 | 1134-5304-01 | Front Övre (Gul) 1-00 | Front Upper (Yellow) | |
| 16 | 2 | 9946-0525-16 | Skruv | Screw | |
| 17 | 2 | 1134-4790-02 | Styrning | Hood Guide (Black) | |
| 18 | 2 | 9838-9530-12 | Skruv | Screw | |
| 19 | 2 | 9699-0060-02 | Bricka | Washer | |
| 99 | 1 | 1134-6426-01 | Dekal | Label | Villa 12 |

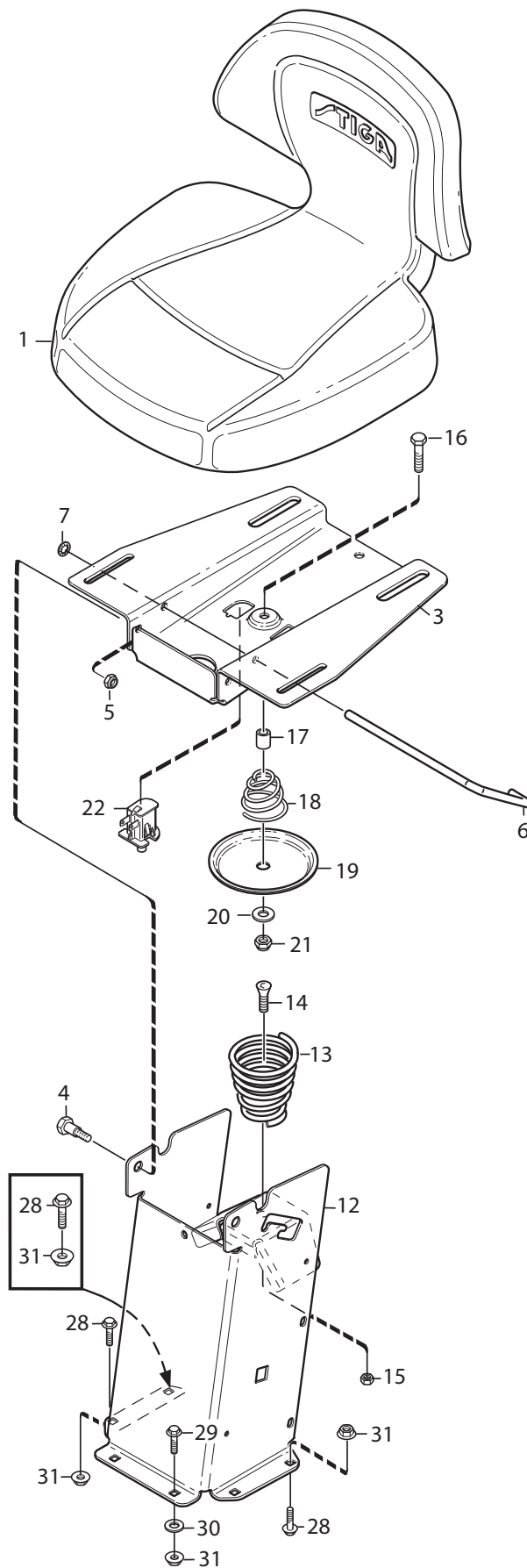


| Utgåva Issue 43 - 2014 | | Ram Frame | | | |
|------------------------------|-------------------|-------------------|--------------------|---------------------|---------------------|
| Pos. Fig. | Antal Quantity | Art nr Part No | Benämning | Description | Anmärkning Notes |
| 1 | 1 | 1134-6635-01 | Ram Kpl (5-01) | Frame | |
| 2 | 1 | 1134-5293-02 | Durk | Floor Plate | Black line |
| 2 | 1 | 1134-5293-01 | Durk (Grå) 7-14 | Floor Plate (Grey) | |
| 3 | 2 | 9893-0616-16 | Relä Skruv | Relay Screw | |
| 4 | 1 | 1134-5338-02 | Durkmatta | Floor Mat | |
| 4 | 1 | 1134-5338-03 | Durkmatta-Manuell | Floor Mat-Manual | |
| 5 | 1 | 1134-5453-03 | Stötfångare-bakre | Rear Bumper (Grey) | Grey |
| 5 | 1 | 1134-5453-01 | Stötfångare-bakre | Rear Bumper (Black) | Black line |
| 6 | 1 | 1134-6630-01 | Stag-Vä (5-01) | Attachment-Lh | |
| 7 | 1 | 1134-6630-02 | Stag-Hö (5-01) | Attachment-Rh | |
| 8 | 2 | 1134-0240-00 | Skruv | Screw | |
| 9 | 2 | 1134-4242-01 | Distansbricka | Washer | |
| 10 | 2 | 9694-0001-00 | Bricka | Washer | |
| 11 | 2 | 9747-0831-02 | Mutter Låsmutter | Nut | |
| 12 | 2 | 9943-0516-16 | Skruv | Screw | |
| 13 | 2 | 9959-0820-16 | Skruv | Screw | L = 20 mm |
| 14 | 2 | 9959-0825-16 | Skruv | Screw | L = 25 mm |
| 15 | 1 | 9739-0831-22 | Mutter | Nut | |
| 16 | 3 | 9739-0831-22 | Mutter | Nut | |

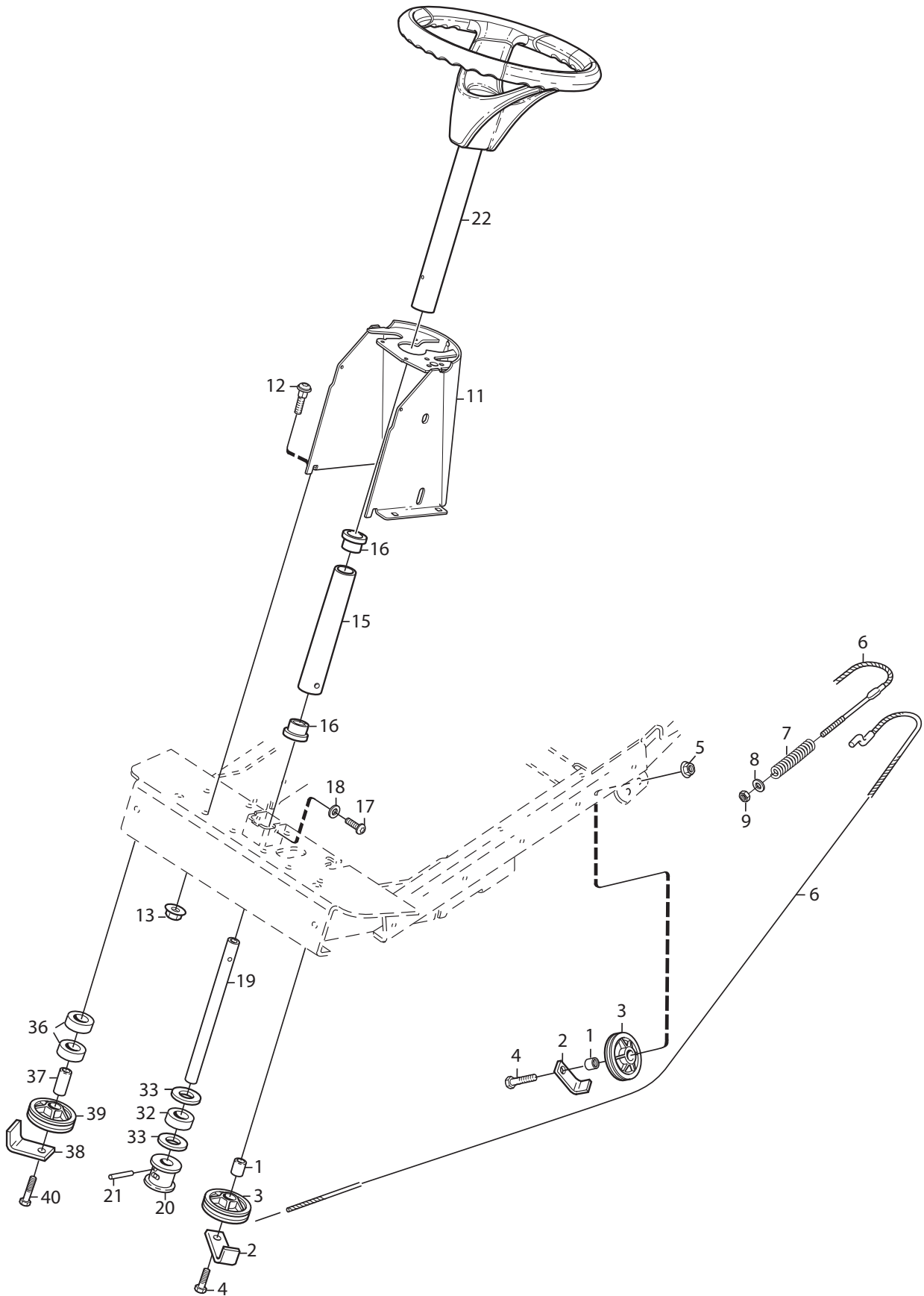




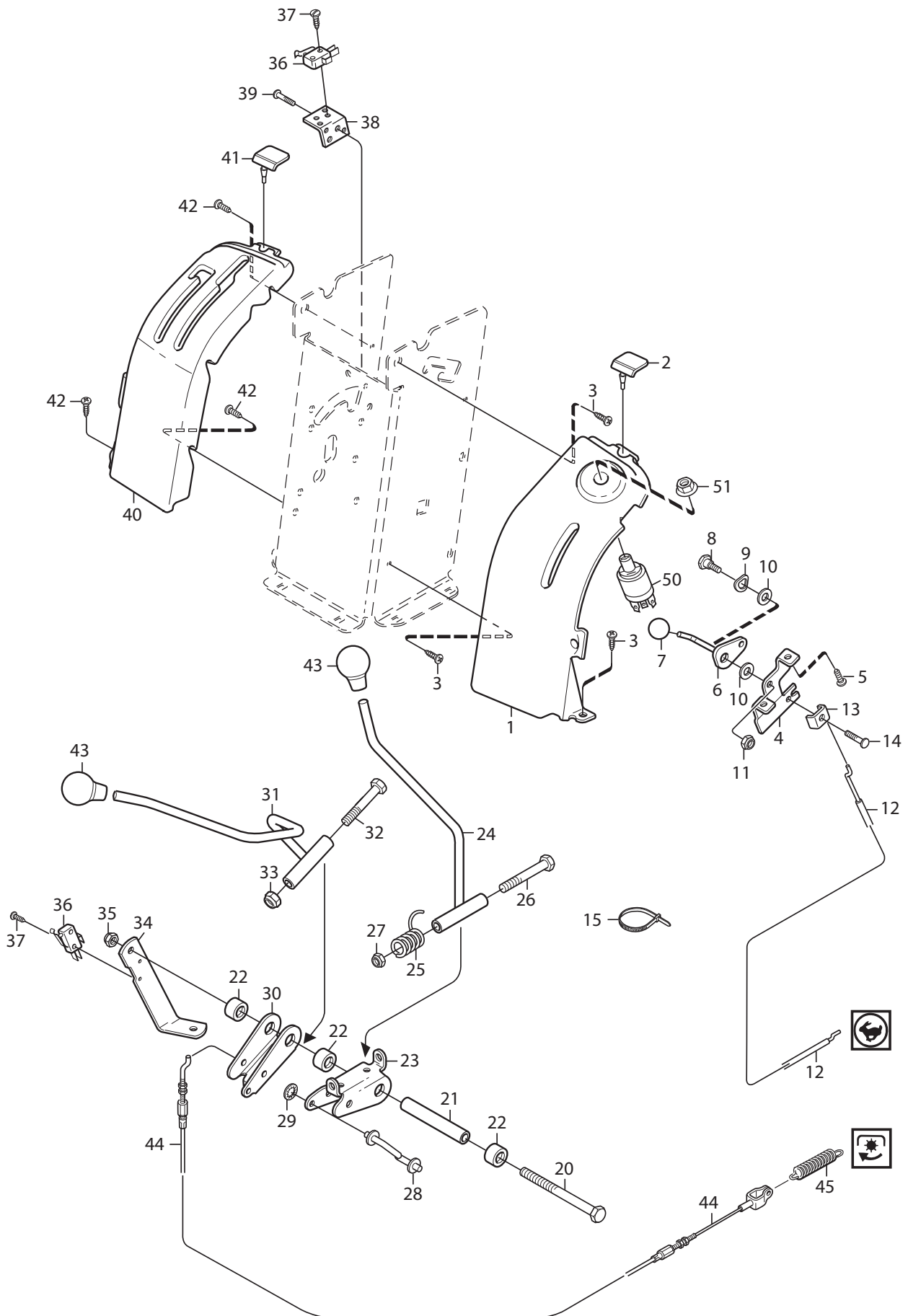
| Utgåva Issue 43 - 2014 | | Pedallyft Pedal lift | | | |
|------------------------------|-------------------|-------------------------|-----------|-------------|---------------------|
| Pos. Fig. | Antal Quantity | Art nr Part No | Benämning | Description | Anmärkning Notes |
| | | | | | |



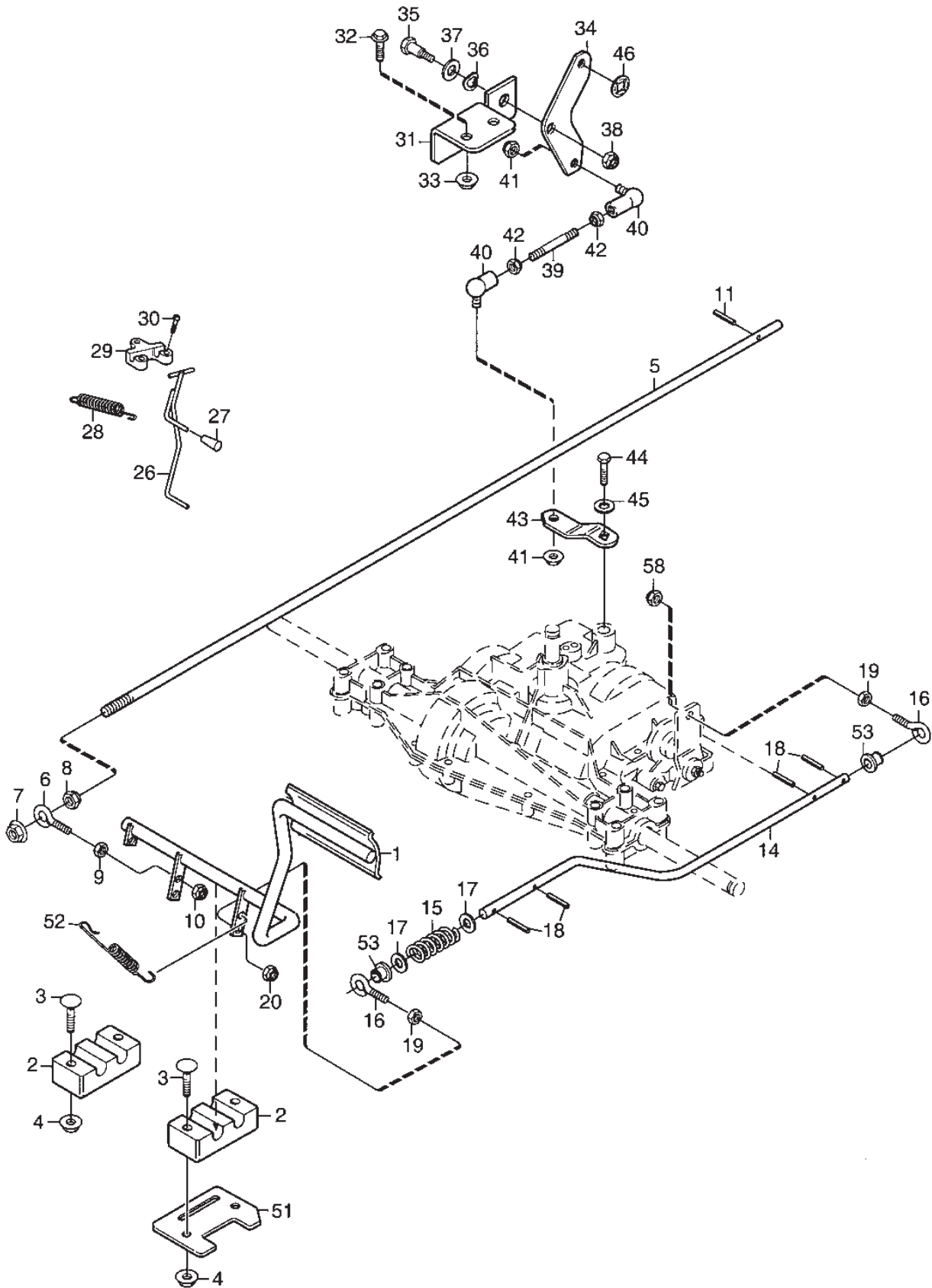
| Utgåva Issue 43 - 2014 | | Seat | | | |
|------------------------------|-------------------|-------------------|-----------------------------|-----------------------|---------------------|
| Pos. Fig. | Antal Quantity | Art nr Part No | Benämning | Description | Anmärkning Notes |
| 1 | 1 | 1134-5534-01 | Fjäder | Spring | Black line |
| 1 | 1 | 1134-5506-01 | Sits "Stiga" | Seat Stiga | |
| 3 | 1 | 1134-5301-01 | Sitsplatta | Upper Seat Bracket | |
| 4 | 2 | 1134-0240-00 | Skruv | Screw | |
| 5 | 2 | 9747-0831-02 | Mutter Låsmutter | Nut | |
| 6 | 1 | 1134-5454-01 | Spärr | Catch | |
| 7 | 1 | 9675-0012-02 | Starlock | Locking washer | |
| 12 | 1 | 1134-5296-05 | Sitskonsol Kpl (Svart) 5-01 | Seat Bracket (Black) | Black line |
| 12 | 1 | 1134-5296-04 | Sitskonsol Kpl (Gul) 1-00 | Seat Bracket (Yellow) | |
| 13 | 1 | 1134-4256-01 | Fjäder | Spring | |
| 14 | 1 | 9924-1235-19 | Skruv | Screw | |
| 15 | 1 | 9747-1231-02 | Mutter | Nut | |
| 16 | 1 | 9997-0840-12 | Skruv | Screw | |
| 17 | 1 | 1134-1565-06 | Distans | Spacer | |
| 18 | 1 | 1134-5302-01 | Fjäder | Spring | |
| 19 | 1 | 1134-5299-01 | Tryckplatta | Push Plate | |
| 20 | 1 | 9699-0090-02 | Bricka | Washer | |
| 21 | 1 | 9747-0831-02 | Mutter Låsmutter | Nut | |
| 22 | 1 | 1134-3156-02 | Brytare (grå) | Switch | |
| 28 | 4 | 9959-0820-16 | Skruv | Screw | L = 20 mm |
| 29 | 2 | 9959-0825-16 | Skruv | Screw | L = 25 mm |
| 30 | 2 | 9699-0056-02 | Bricka | Washer | |
| 31 | 6 | 9739-0831-22 | Mutter | Nut | |



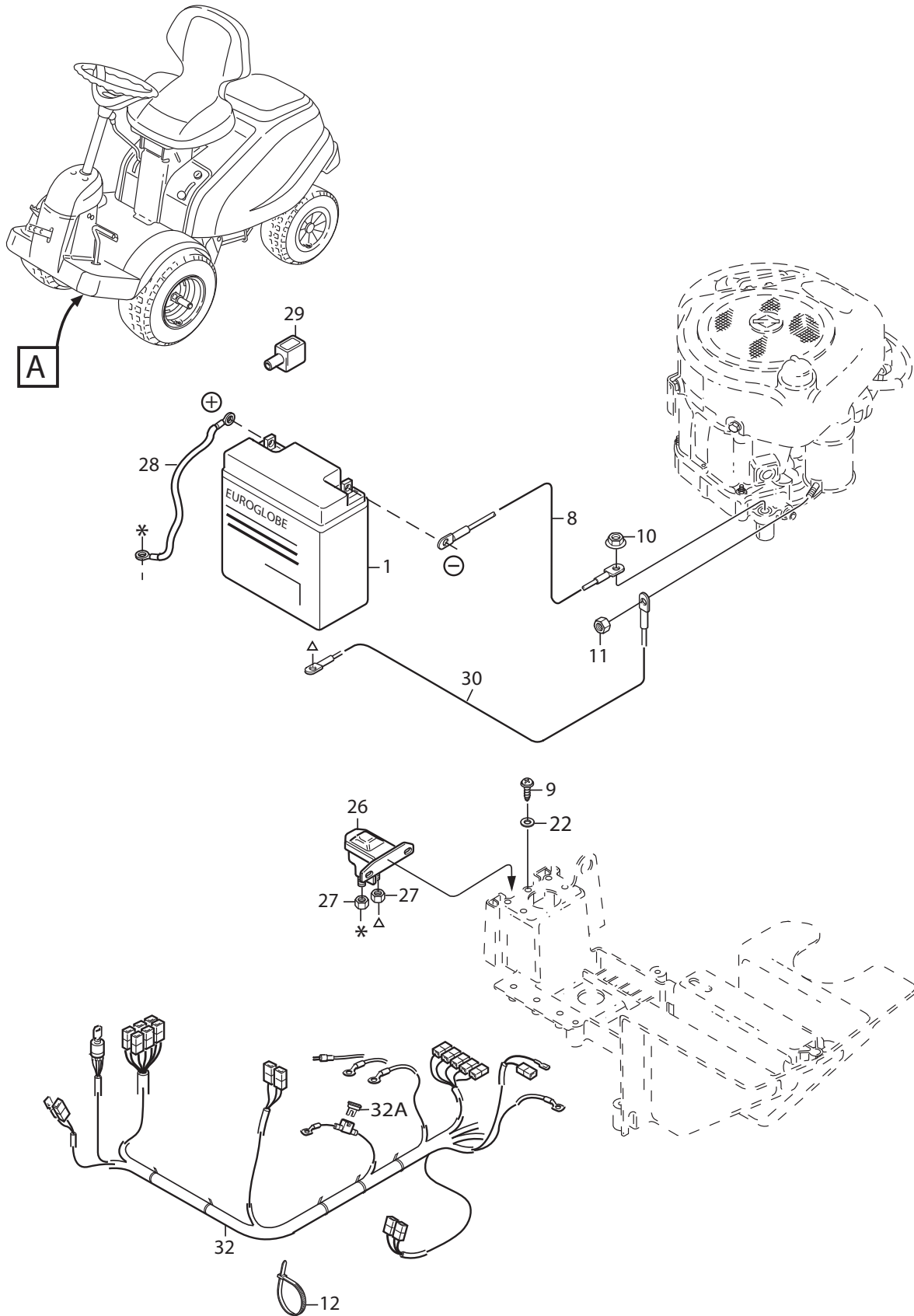
| Utgåva Issue 43 - 2014 | | Styrning Steering | | | |
|------------------------------|-------------------|----------------------|---------------------------|-------------------------|---------------------|
| Pos. Fig. | Antal Quantity | Art nr Part No | Benämning | Description | Anmärkning Notes |
| 1 | 3 | 1134-0041-01 | Bussning | Bushing | |
| 2 | 3 | 1134-0046-00 | Wireklämma | Wire Clamp | |
| 3 | 1 | 1134-9025-01 | Linhjul | Steering Pulley | Sats 2 st/kit of 2 |
| 4 | 3 | 9997-1040-16 | Skruv | Screw | L = 40 mm |
| 5 | 2 | 9739-1031-22 | Mutter | Nut | |
| 6 | 1 | 1134-9154-01 | Styrwire | Steering Cable | |
| 7 | 1 | 1134-1310-01 | Fjäder | Spring | |
| 8 | 1 | 9699-0056-02 | Bricka | Washer | |
| 9 | 1 | 9747-0831-02 | Mutter Låsmutter | Nut | |
| 11 | 1 | 1134-5349-03 | Styrkonsol Kpl (Grå) 7-14 | Steering Console (Grey) | |
| 12 | 4 | 9897-0820-16 | Skruv | Screw | |
| 13 | 4 | 9739-0831-22 | Mutter | Nut | |
| 15 | 1 | 1134-1305-05 | Rattrör Nedre | Steering Column, Lower | |
| 16 | 2 | 1134-1901-01 | Lager | Bearing | |
| 17 | 2 | 9893-0616-16 | Relä Skruv | Relay Screw | |
| 18 | 2 | 9699-0060-02 | Bricka | Washer | |
| 19 | 1 | 1134-5495-01 | Rattstång | Steering Rod | |
| 20 | 1 | 1134-1933-01 | Linhjul | Steering Pulley | |
| 21 | 1 | 9595-0262-00 | Spännstift | Locating Pin | |
| 22 | 1 | 1134-5496-01 | Ratt | Steering Wheel | |
| 32 | 1 | 1134-3047-01 | Distans | Spacer | |
| 33 | 2 | 9699-0104-02 | Bricka | Washer | |
| 36 | 2 | 1134-3047-01 | Distans | Spacer | |
| 37 | 1 | 1134-0041-05 | Bussning | Bushing | |
| 38 | 1 | 1134-0046-00 | Wireklämma | Wire Clamp | |
| 39 | 1 | 1134-9025-01 | Linhjul | Steering Pulley | Sats 2 st/kit of 2 |
| 40 | 1 | 9997-1060-12 | Skruv | Screw | |



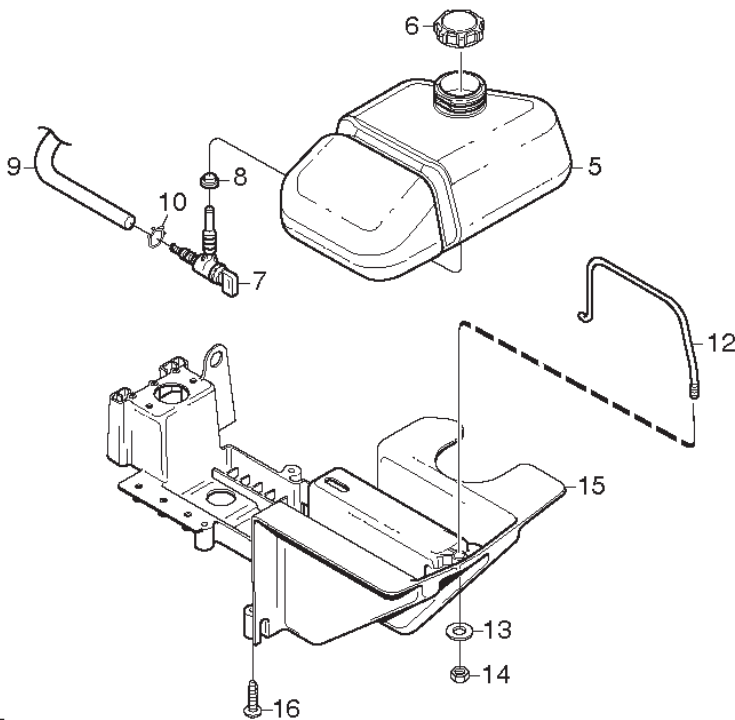
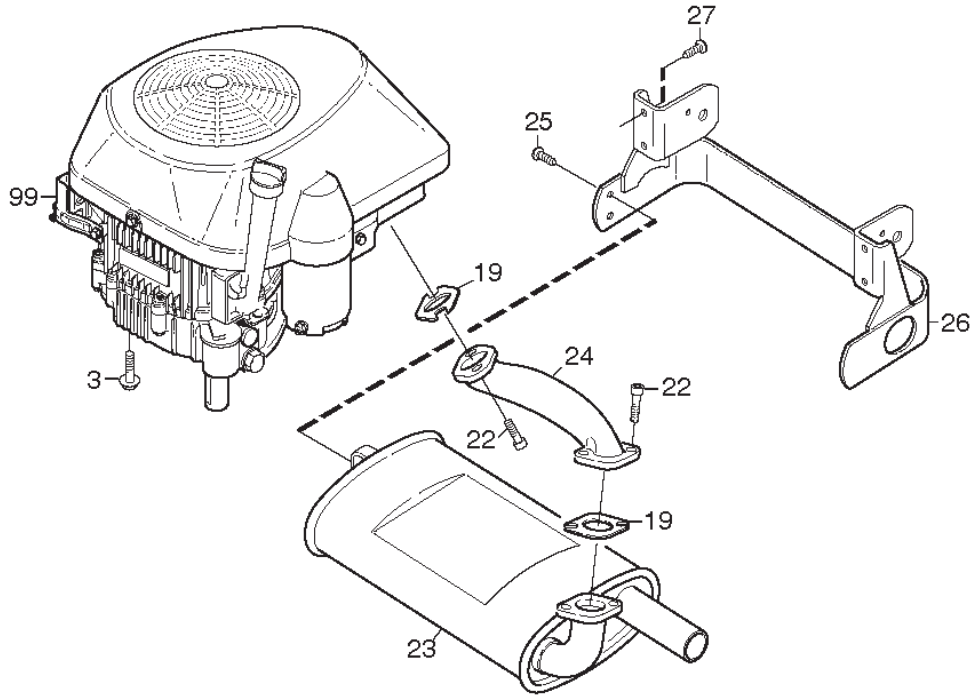
| Utgåva Issue 43 - 2014 | | Handreglage Hand controls | | | |
|------------------------------|-------------------|------------------------------|-----------------------------|--------------------------|---------------------|
| Pos. Fig. | Antal Quantity | Art nr Part No | Benämning | Description | Anmärkning Notes |
| 1 | 1 | 1134-5286-01 | Reglagepanel-Vä (Grå) | Dashboard-Lh (Grey) | Grey |
| 1 | 1 | 1134-5286-02 | Reglagepanel-Vä (Svart) | Dashboard-Lh (Black) | Black |
| 2 | 2 | 1134-5531-01 | Dämpare | Absorber | |
| 3 | 3 | 9893-0616-16 | Relä Skruv | Relay Screw | |
| 4 | 1 | 1134-5357-01 | Fäste | Bracket | |
| 5 | 2 | 9838-9516-12 | Skruv | Screw | |
| 6 | 1 | 1134-4077-01 | Gasreglage | Throttle Cable | |
| 7 | 1 | 1134-4078-01 | Knopp | Knob | |
| 8 | 1 | 1134-0240-00 | Skruv | Screw | |
| 9 | 1 | 9694-0001-00 | Bricka | Washer | |
| 10 | 2 | 1134-4242-01 | Distansbricka | Washer | |
| 11 | 1 | 9747-0831-02 | Mutter Låsmutter | Nut | |
| 12 | 1 | 1134-1597-13 | Gasreglage | Throttle Cable | |
| 13 | 1 | 9500-9991-00 | Kabelklämma | Wire Clamp | |
| 14 | 1 | 9943-0516-16 | Skruv | Screw | |
| 15 | 1 | 9579-0003-00 | Buntband | Cable Holder | |
| 20 | 1 | 9997-0812-02 | Skruv | Screw | |
| 21 | 1 | 1134-5274-02 | Distans | Spacer | |
| 22 | 3 | 1134-3047-01 | Distans | Spacer | |
| 23 | 1 | 1134-5271-01 | Reglagefäste | Control Bracket | |
| 24 | 1 | 1134-5275-01 | Växelspak Kpl | Gearshift Lever | |
| 25 | 1 | 1134-5535-01 | Fjäder | Spring | |
| 26 | 1 | 9997-0890-12 | Skruv | Screw | |
| 27 | 1 | 9747-0831-02 | Mutter Låsmutter | Nut | |
| 28 | 1 | 1134-5268-01 | Stång | Shifter Rod | |
| 29 | 1 | 9675-0009-02 | Starlockbricka | Starlock | |
| 30 | 1 | 1134-5271-01 | Reglagefäste | Control Bracket | |
| 31 | 1 | 1134-5276-01 | Reglagespak Kpl | Control Lever | |
| 32 | 1 | 9997-0890-12 | Skruv | Screw | |
| 33 | 1 | 9747-0831-02 | Mutter Låsmutter | Nut | |
| 34 | 1 | 1134-5356-01 | Reaktionsstag | Strut | |
| 35 | 1 | 9747-0831-02 | Mutter Låsmutter | Nut | |
| 36 | 2 | 9400-0360-01 | Mikrobrytare | Microswitch | |
| 37 | 4 | 9840-7716-16 | Skruv | Screw | |
| 38 | 1 | 1134-5358-01 | Brytarfäste | Switch Bracket | |
| 39 | 2 | 9943-0516-16 | Skruv | Screw | |
| 40 | 1 | 1134-5285-01 | Reglagepanel Man-Hö (Grå) | Dashboard Man-Rh (Grey) | |
| 40 | 1 | 1134-5285-03 | Reglagepanel Man-Hö (Svart) | Dashboard Man-Rh (Black) | |
| 41 | 2 | 1134-5531-01 | Dämpare | Absorber | |
| 42 | 4 | 9893-0616-16 | Relä Skruv | Relay Screw | |
| 43 | 2 | 1134-2551-01 | Knopp | Knob | |
| 44 | 1 | 1134-3573-06 | Kraftuttagwire | Pto Cable | |
| 45 | 1 | 1134-1242-02 | Fjäder | Spring | |
| 50 | 1 | 1134-4093-01 | Tändningslås | Ignition Switch | |
| 51 | 1 | 1134-4749-01 | Mutter | Nut | |



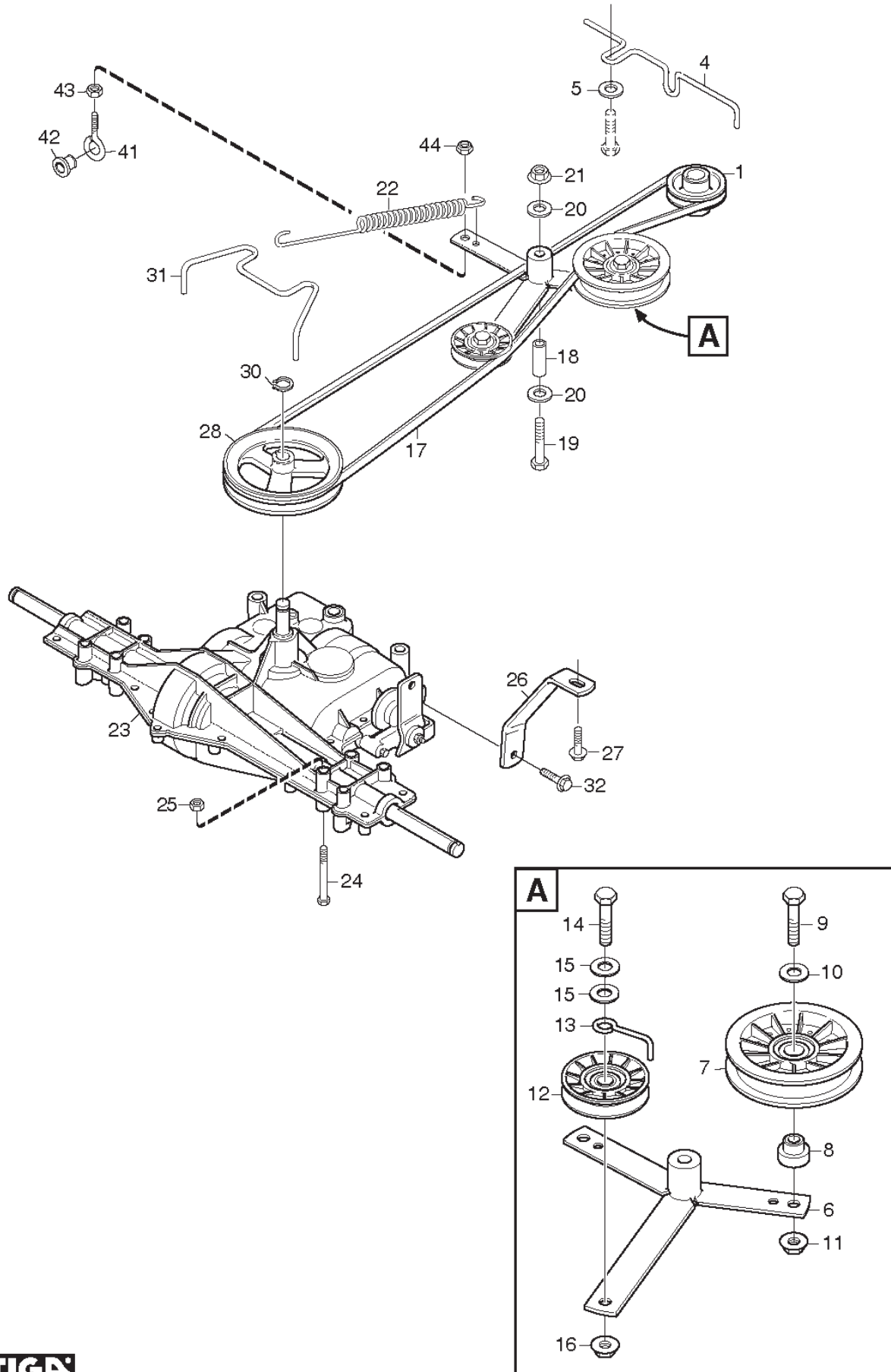
| Utgåva Issue 43 - 2014 | | Fotreglage Foot controls | | | |
|------------------------------|-------------------|-----------------------------|-----------|-------------|---------------------|
| Pos. Fig. | Antal Quantity | Art nr Part No | Benämning | Description | Anmärkning Notes |
| | | | | | |



| Utgåva Issue 43 - 2014 | | Elsystem Electric system | | | |
|------------------------------|-------------------|-----------------------------|-----------------------|--------------------|---------------------|
| Pos. Fig. | Antal Quantity | Art nr Part No | Benämning | Description | Anmärkning Notes |
| 1 | 1 | 1134-4804-01 | Batteri | Battery | |
| 8 | 1 | 1134-2042-02 | Batterikabel | Battery Cable | L = 350 mm |
| 9 | 1 | 9838-9516-12 | Skruv | Screw | |
| 10 | 1 | 9747-0831-02 | Mutter Låsmutter | Nut | |
| 11 | 1 | 9739-0631-22 | Mutter Strålkastare | Nut Working lamp | M6 |
| 11 | 1 | 9795-3531-02 | Mutter | Nut | 1/4 UNC |
| 12 | 3 | 9579-0003-00 | Buntband | Cable Holder | |
| 22 | 1 | 9699-0060-02 | Bricka | Washer | |
| 26 | 1 | 1134-2962-01 | Solenoid Kpl Service | Solenoid | |
| 27 | 2 | 9794-5131-02 | Mutter | Nut | |
| 28 | 1 | 1134-0234-02 | Batterikabel (+) | Battery Cable (+) | L = 395 mm |
| 29 | 1 | 1134-2310-01 | Batteriskydd | Guard Cap (+) | |
| 30 | 1 | 1134-4702-02 | Kabel (+) | Cable | L = 480 mm |
| 32 | 1 | 1134-3496-06 | Säkring (20A) | Fuse (20A) | 20A |
| 32 | 1 | 1134-7218-01 | Kabelhärva | Wiring harness | |

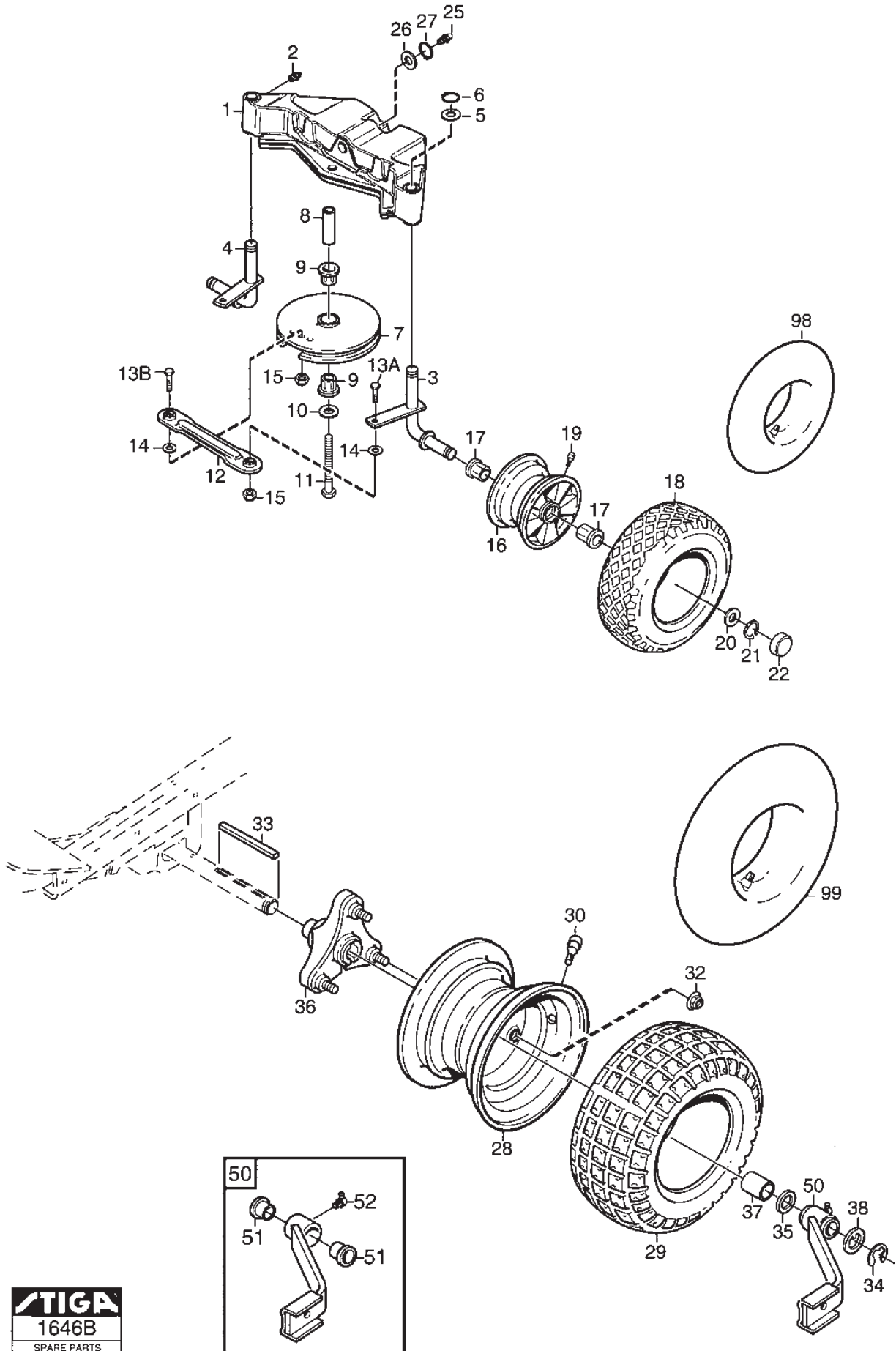


| Utgåva Issue 43 - 2014 | | Motor Engine | | | |
|------------------------------|-------------------|-------------------|-------------|------------------|---------------------|
| Pos. Fig. | Antal Quantity | Art nr Part No | Benämning | Description | Anmärkning Notes |
| 9 | 1 | 1134-2975-18 | Bensinslang | Fuel Tube | L = 260 mm |
| 9 | 1 | 1134-2975-10 | Bensinslang | Fuel Tube | L = 210 mm |
| 19 | 2 | 1134-0433-00 | Packning | Gasket | |
| 22 | 2 | 1134-4930-01 | Skruv | Screw | |
| 22 | 4 | 1134-4930-01 | Skruv | Screw | |
| 99 | 1 | 118550439/0 | Motor Kpl | Engine Assembled | GGP WM 12,5 |





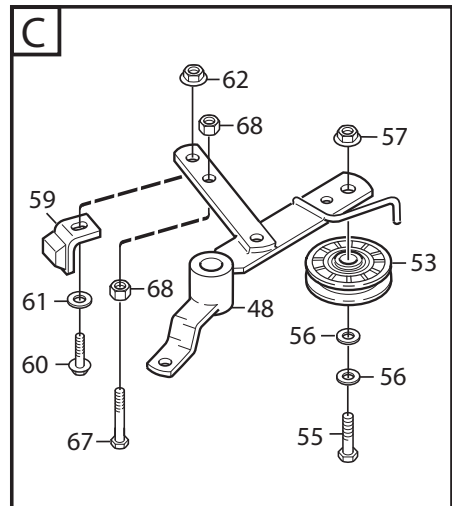
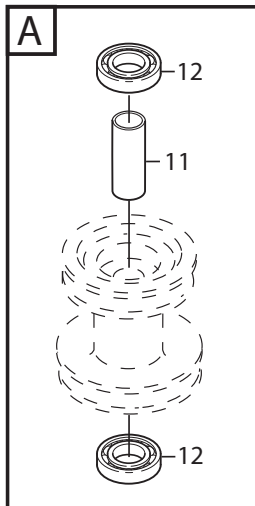
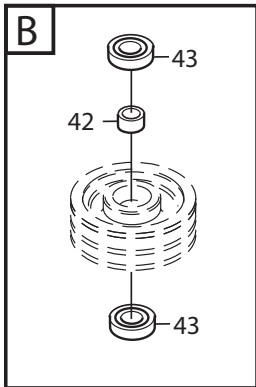
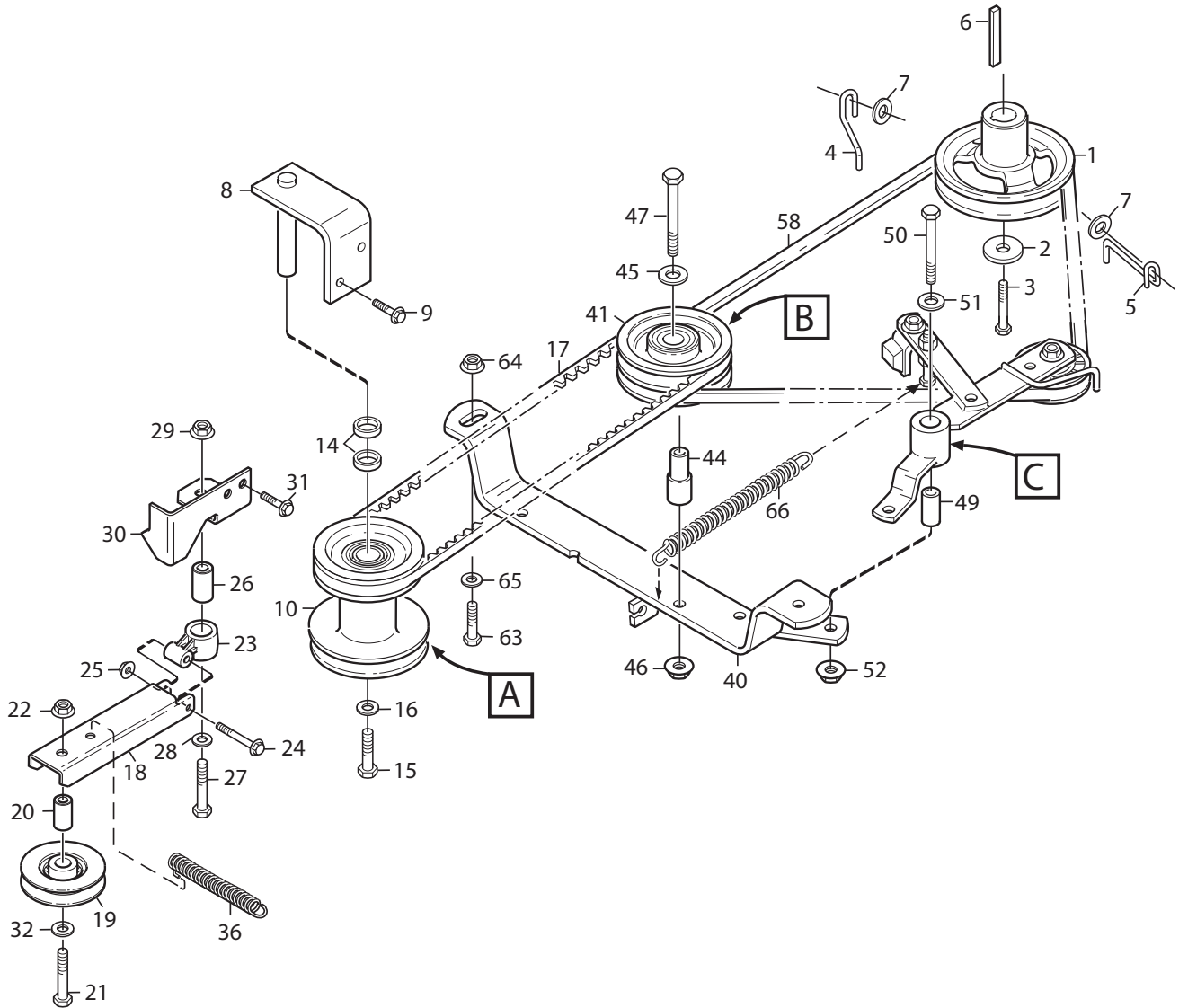
| Utgåva Issue 43 - 2014 | | Transmission | | | |
|------------------------------|-------------------|-------------------|-----------|-------------|---------------------|
| Pos. Fig. | Antal Quantity | Art nr Part No | Benämning | Description | Anmärkning Notes |
| | | | | | |



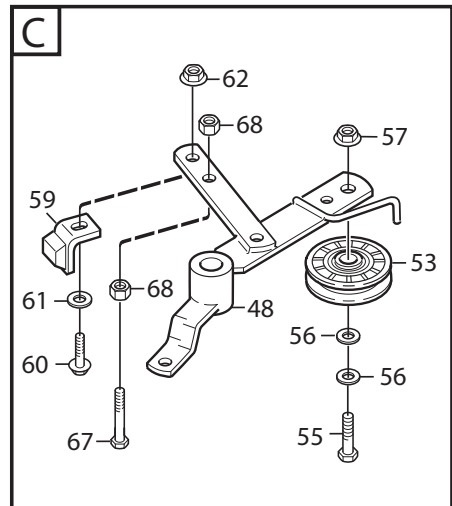
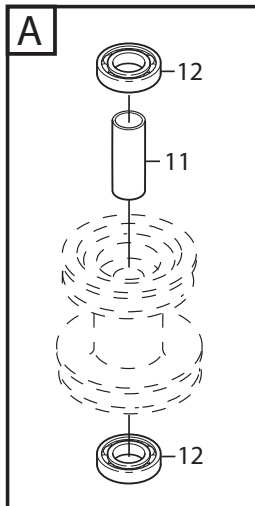
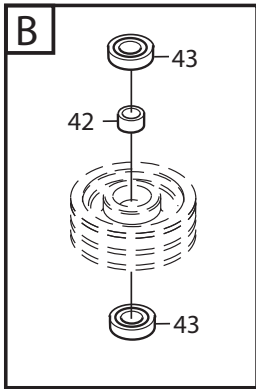
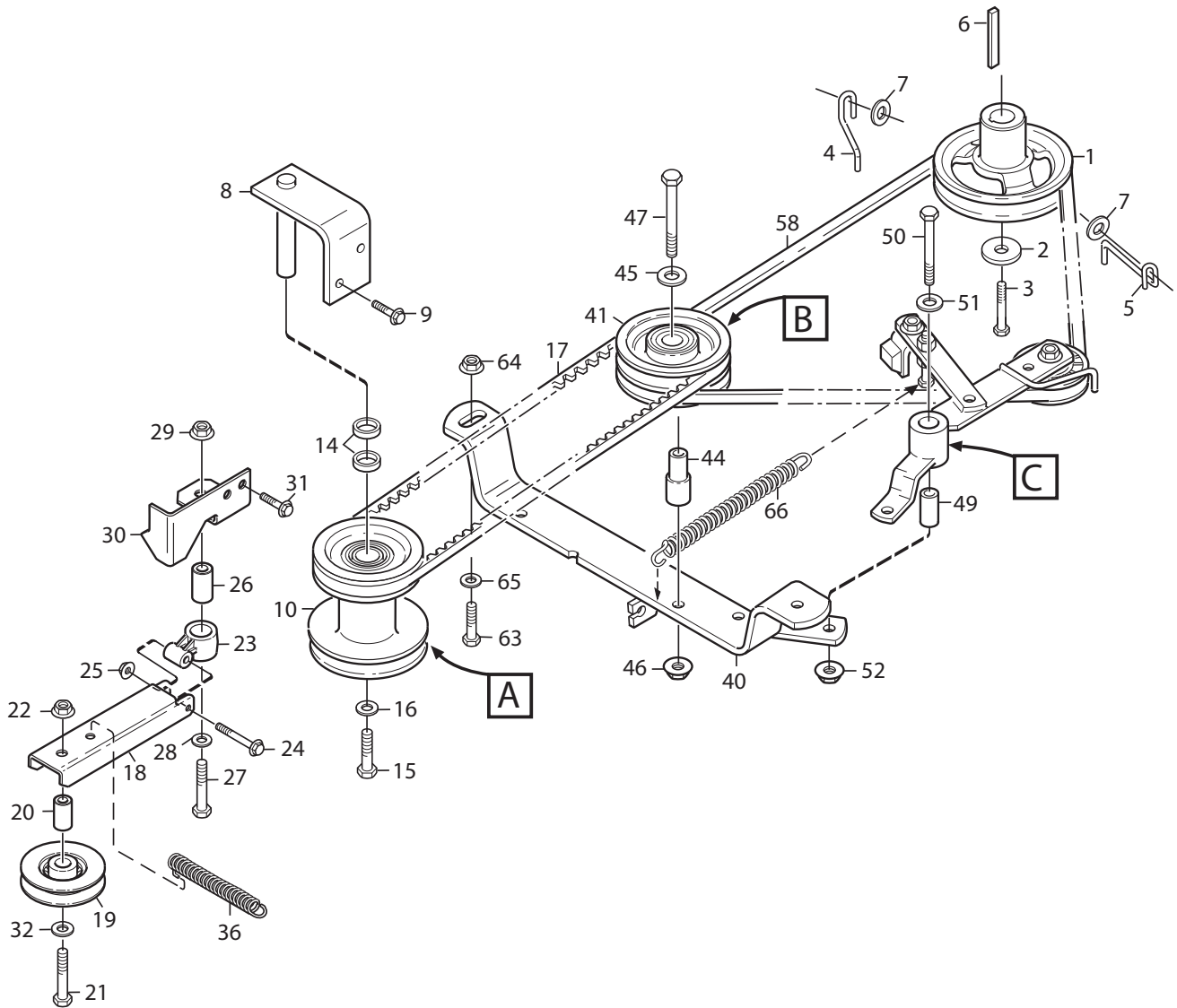
STIGA
1646B
SPARE PARTS



| Utgåva Issue 43 - 2014 | | Hjul Wheels | | | |
|------------------------------|-------------------|-------------------|-----------|-------------|---------------------|
| Pos. Fig. | Antal Quantity | Art nr Part No | Benämning | Description | Anmärkning Notes |
| | | | | | |



| Utgåva Issue 43 - 2014 | | Kraftuttag Power take-off | | | |
|------------------------------|-------------------|------------------------------|----------------------------|--------------------------|---------------------|
| Pos. Fig. | Antal Quantity | Art nr Part No | Benämning | Description | Anmärkning Notes |
| 1 | 1 | 1137-0081-01 | Motorremskiva | Engine Pulley | |
| 2 | 1 | 1134-5017-01 | Bricka | Washer | |
| 3 | 1 | 9987-5332-16 | Skruv | Screw | |
| 4 | 1 | 1134-5058-01 | Remstyrning | Belt Guide | |
| 5 | 1 | 1134-5057-01 | Remstyrning | Belt Guide | |
| 6 | 1 | 9600-0251-01 | Kil | Key | "L = 2 1/2" " |
| 7 | 2 | 9699-0056-02 | Bricka | Washer | |
| 8 | 1 | 1134-4650-01 | Monteringsbygel5-01 H40 | Pulley Bracket | |
| 9 | 2 | 9945-0816-16 | Skruv | Screw | |
| 10 | 1 | 1137-0003-01 | Mellanremskiva Smst | Intermediate Belt Pulley | Inkl. pos 11-12 |
| 11 | 1 | 1134-0051-12 | Distans | Spacer | |
| 12 | 2 | 9549-0019-00 | Kullager | Ball Bearing | |
| 14 | 2 | 1134-0052-00 | Distans | Spacer | |
| 15 | 1 | 9997-1040-16 | Skruv | Screw | |
| 16 | 1 | 9699-0035-02 | Bricka | Washer | |
| 17 | 1 | 1134-9079-01 | Drivrem | Drive Belt | 9585-0139-01 |
| 18 | 1 | 1134-5231-01 | Spännarm 5-01 F24 | Tension Arm | |
| 19 | 1 | 1134-6329-01 | Spännrulle Kpl | Tension Roller Assy | |
| 20 | 1 | 1134-4619-01 | Distans | Spacer | |
| 21 | 1 | 9997-1060-12 | Skruv | Screw | |
| 22 | 1 | 9747-1031-02 | Mutter Låsmutter | Nut | |
| 23 | 1 | 1134-6314-01 | Spännarmsfäste | Tension Arm Attachment | |
| 24 | 1 | 9997-0640-12 | Skruv | Screw | |
| 25 | 1 | 9747-0631-02 | Mutter Låsmutter | Nut | |
| 26 | 1 | 1134-4619-01 | Distans | Spacer | |
| 27 | 1 | 9930-1050-12 | Skruv | Screw | |
| 28 | 1 | 9699-0035-02 | Bricka | Washer | |
| 29 | 1 | 9747-1031-02 | Mutter Låsmutter | Nut | |
| 30 | 1 | 1134-4708-02 | Fäste | Bracket | |
| 31 | 2 | 9945-0816-16 | Skruv | Screw | |
| 32 | 1 | 9699-0035-02 | Bricka | Washer | |
| 36 | 1 | 1131-1507-00 | Fjäder | Spring | |
| 40 | 1 | 1134-5037-01 | Bygel Kpl (Svart) 5-01 F15 | Mounting Bracket (Black) | |
| 41 | 1 | 1137-0004-01 | Centrumremskiva Smst | Centre Pulley Assy | Inkl. pos 42-43 |
| 42 | 1 | 1134-0051-09 | Distans | Spacer | |
| 43 | 2 | 9549-0019-00 | Kullager | Ball Bearing | |
| 44 | 1 | 1134-1839-02 | Mellanaxel | Shaft | |
| 45 | 1 | 9699-0035-02 | Bricka | Washer | |
| 46 | 1 | 9739-1031-22 | Mutter | Nut | |
| 47 | 1 | 9997-1070-12 | Skruv | Screw | |
| 48 | 1 | 1137-0144-01 | Kopplingsarm Kpl | Tension Arm Assy | |
| 49 | 1 | 1134-1565-10 | Distans | Spacer | |
| 50 | 1 | 9997-0860-12 | Skruv | Screw | |
| 51 | 1 | 9699-0056-02 | Bricka | Washer | |
| 52 | 1 | 9739-0831-22 | Mutter | Nut | |
| 53 | 1 | 1134-9027-02 | Spännrulle (Grå) | Tension Roller (Grey) | |
| 55 | 1 | 9997-1035-16 | Skruv | Screw | |
| 56 | 2 | 9699-0035-02 | Bricka | Washer | |
| 57 | 1 | 9739-1031-22 | Mutter | Nut | |



| Utgåva Issue 43 - 2014 | | Kraftuttag Power take-off | | | |
|------------------------------|-------------------|------------------------------|--------------------|-------------|---------------------|
| Pos. Fig. | Antal Quantity | Art nr Part No | Benämning | Description | Anmärkning Notes |
| 58 | 1 | 1134-9146-01 | Kilrem | V-Belt | 9585-0204-01 |
| 59 | 1 | 1134-4164-03 | Bromsklots | Brake Pad | |
| 60 | 1 | 9959-0820-16 | Skruv | Screw | |
| 61 | 1 | 9699-0090-02 | Bricka | Washer | |
| 62 | 1 | 9747-0831-02 | Mutter Låsmutter | Nut | |
| 63 | 2 | 9959-0820-16 | Skruv | Screw | |
| 64 | 2 | 9739-0831-22 | Mutter | Nut | |
| 65 | 1 | 9699-0056-02 | Bricka | Washer | |
| 66 | 1 | 1131-1506-00 | Fjäder | Spring | |
| 67 | 1 | 9997-0860-12 | Skruv | Screw | |
| 68 | 2 | 9739-0831-22 | Mutter | Nut | |

| code | pos. | q.ty | page |
|--------------|-------------|-------------|-------------|
| 9945-0816-16 | 8 | 6 | p. 5 |
| 9945-0816-16 | 9 | 2 | p. 27 |
| 9945-0816-16 | 31 | 2 | p. 27 |
| 9946-0525-16 | 16 | 2 | p. 5 |
| 9959-0820-16 | 13 | 2 | p. 7 |
| 9959-0820-16 | 28 | 4 | p. 11 |
| 9959-0820-16 | 60 | 1 | p. 29 |
| 9959-0820-16 | 63 | 2 | p. 29 |
| 9959-0825-16 | 14 | 2 | p. 7 |
| 9959-0825-16 | 29 | 2 | p. 11 |
| 9987-5332-16 | 3 | 1 | p. 27 |
| 9997-0640-12 | 24 | 1 | p. 27 |
| 9997-0812-02 | 20 | 1 | p. 15 |
| 9997-0840-12 | 16 | 1 | p. 11 |
| 9997-0860-12 | 50 | 1 | p. 27 |
| 9997-0860-12 | 67 | 1 | p. 29 |
| 9997-0890-12 | 26 | 1 | p. 15 |
| 9997-0890-12 | 32 | 1 | p. 15 |
| 9997-1035-16 | 55 | 1 | p. 27 |
| 9997-1040-16 | 4 | 3 | p. 13 |
| 9997-1040-16 | 15 | 1 | p. 27 |
| 9997-1060-12 | 21 | 1 | p. 27 |
| 9997-1060-12 | 40 | 1 | p. 13 |
| 9997-1070-12 | 47 | 1 | p. 27 |
| 118550439/0 | 99 | 1 | p. 21 |