



## **Reservdelskatalog Parts Catalogue**

# **Park Compact 16**

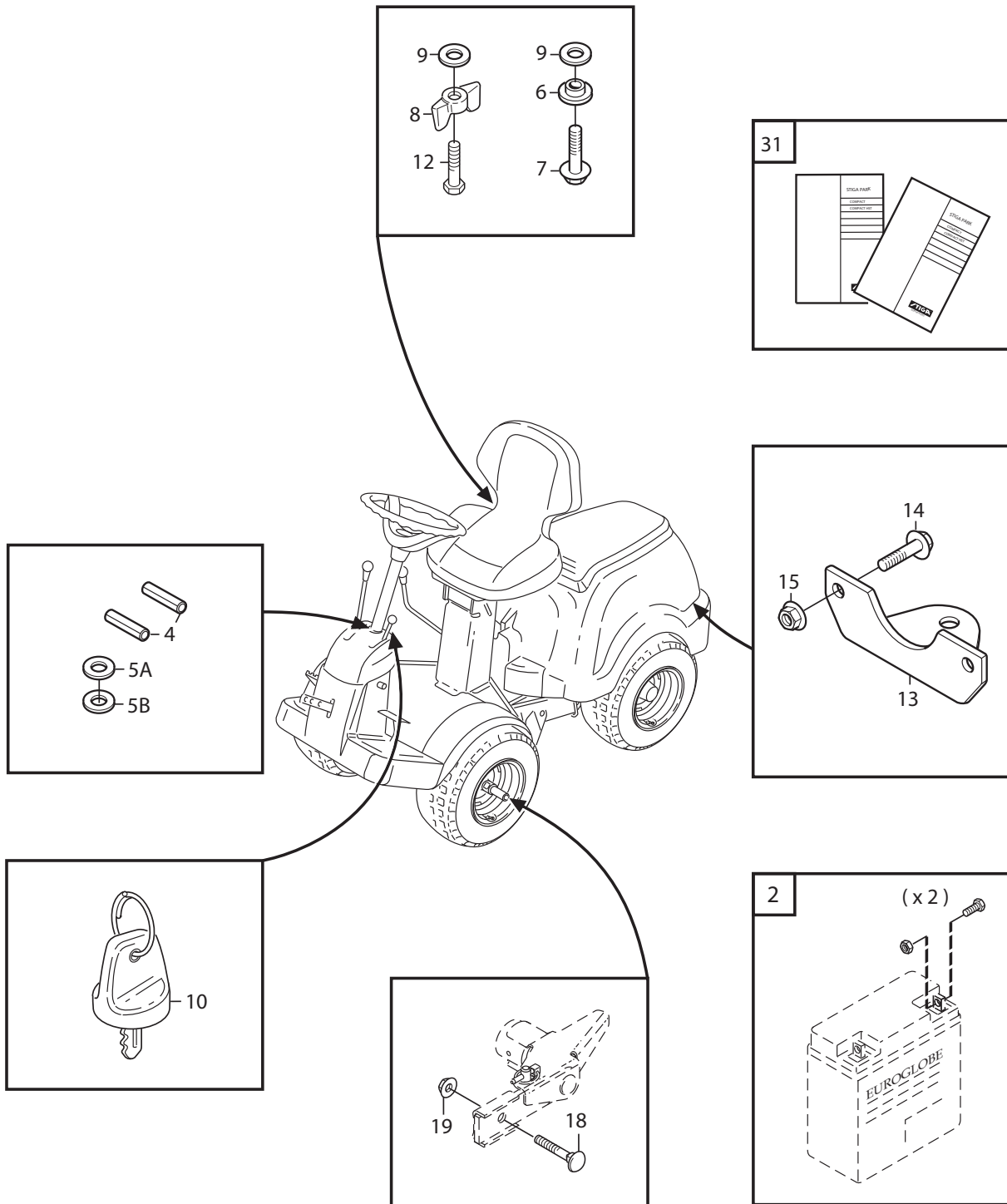
**13-6103-22 - Season 2014**

- Use GLOBAL GARDEN PRODUCT Genuine Spare Parts specified in the parts list for repair and/or replacement.
  - The contents described in the parts list may change due to improvement.
  - The drawings of the spare parts are only indicative and might not represent the part in question exactly.
  - The indications "right" - "left" - "front" - "rear" refer to the position of the operator when using the machine.
- When placing orders of parts for repair and/or replacement, make sure that the illustrated parts list is the one applying to the machine's year of manufacture, as shown on the identification plate attached to the machine.

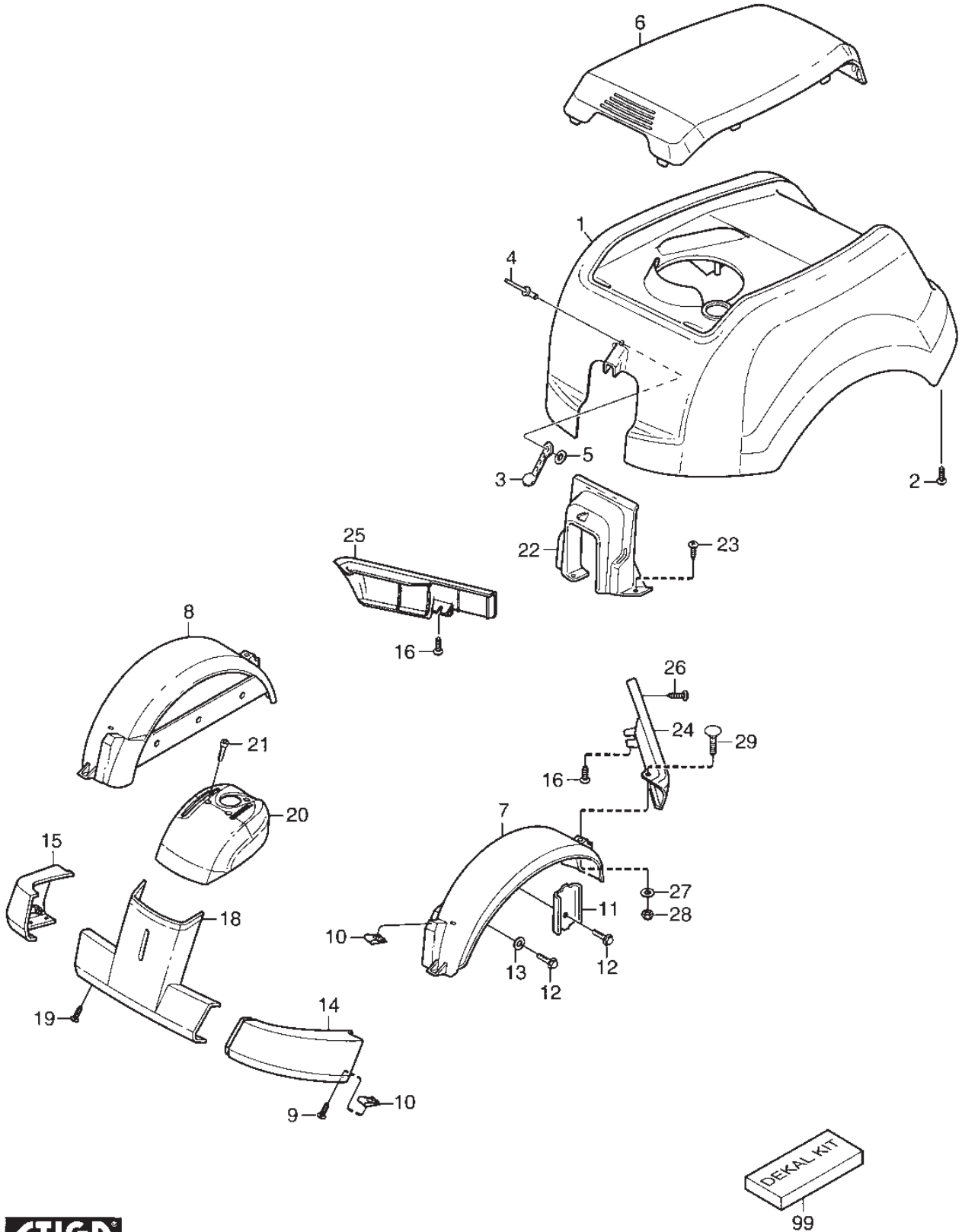
© Copyright 2014 Global Garden Products

All rights reserved. No part of this material may be reproduced or transmitted, in any form or by any means, electronic or mechanical, including photocopying, recording or by any information storage and retrieval system, without permission in writing from GLOBAL GARDEN PRODUCTS.

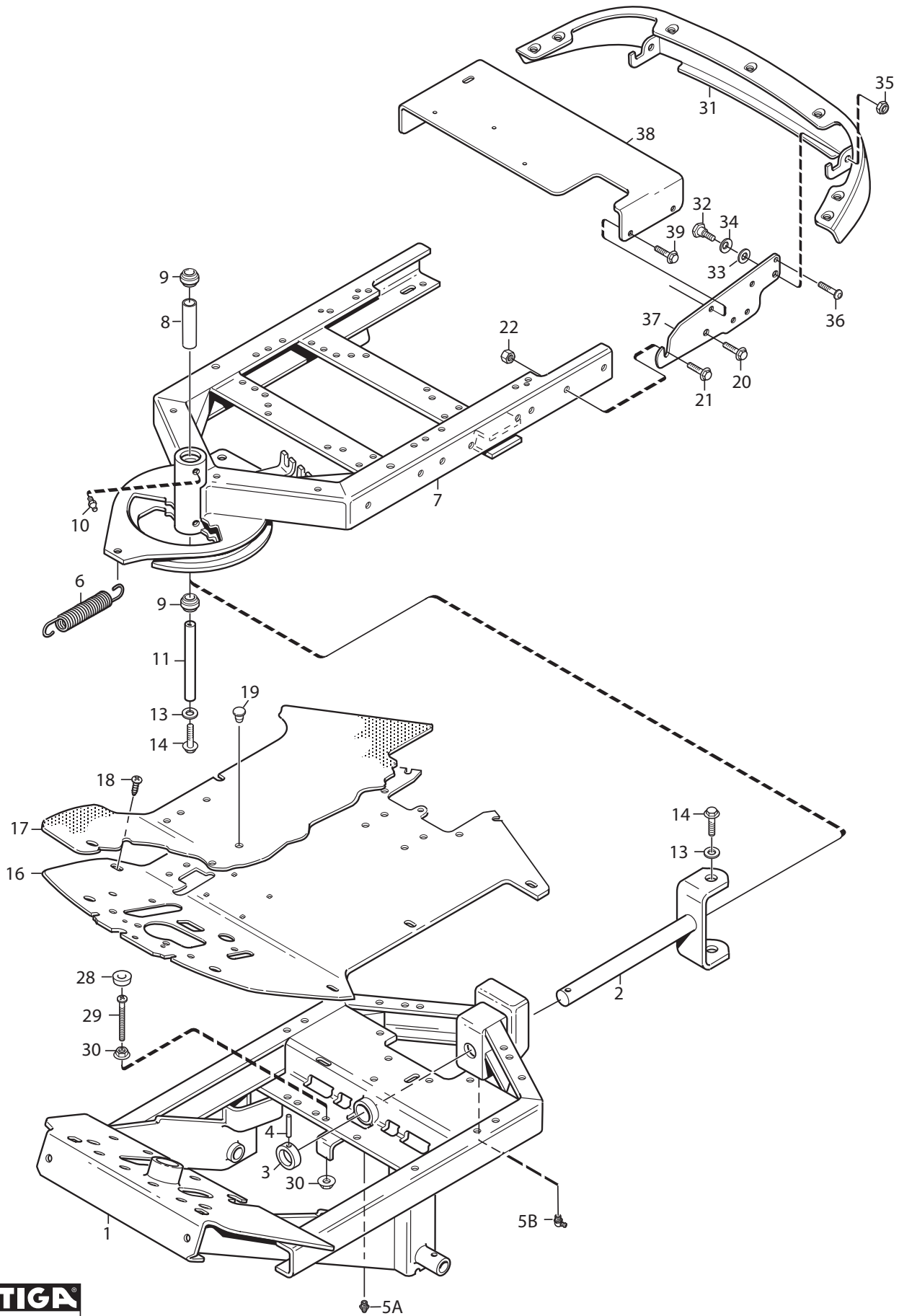
[www.stiga.com](http://www.stiga.com)



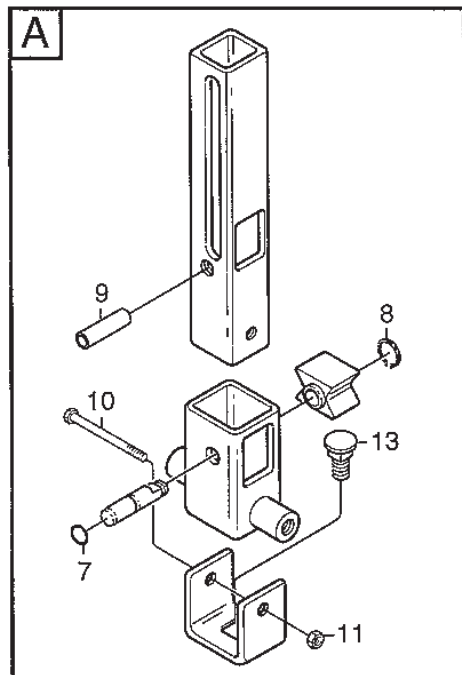
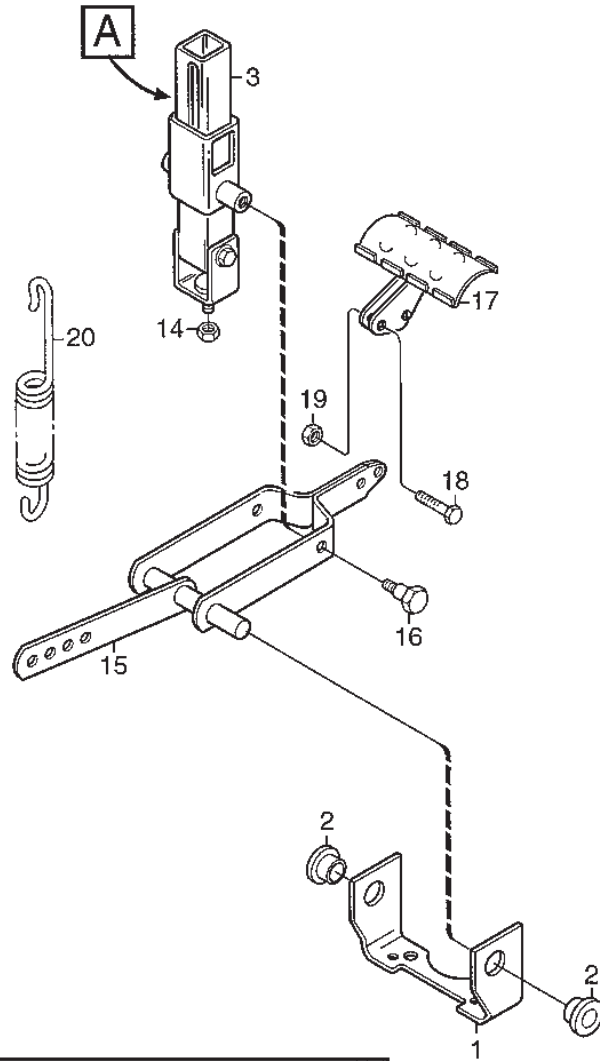
| Utgåva<br>Issue<br>43 - 2014 |                   | Monteringsdetaljer<br>Assembly parts |                       |                    |                     |
|------------------------------|-------------------|--------------------------------------|-----------------------|--------------------|---------------------|
| Pos.<br>Fig.                 | Antal<br>Quantity | Art nr<br>Part No                    | Benämning             | Description        | Anmärkning<br>Notes |
| 2                            | 1                 | 1134-6113-01                         | Skruv                 | Screw              |                     |
| 4                            | 2                 | 9595-0262-00                         | Spännstift            | Locating Pin       |                     |
| 5                            | 1                 | 9699-0114-02                         | Bricka                | Washer             | 1.0 mm              |
| 5                            | 1                 | 9699-0103-02                         | Bricka                | Washer             | 0.5 mm              |
| 6                            | 2                 | 1134-4185-01                         | Ansatsbricka          | Flange Washer      |                     |
| 7                            | 2                 | 9959-0820-16                         | Skruv                 | Screw              |                     |
| 8                            | 2                 | 1134-4481-01                         | Vingmutter            | Wing Nut           |                     |
| 9                            | 4                 | 9699-0056-02                         | Bricka                | Washer             |                     |
| 10                           | 2                 | 1134-4734-01                         | Tändningsnyckel       | Ignition Key       |                     |
| 12                           | 2                 | 9997-0820-16                         | Skruv                 | Screw              |                     |
| 13                           | 1                 | 1134-5512-01                         | Dragplåt5-01          | Towing Plate       |                     |
| 14                           | 2                 | 9959-0820-16                         | Skruv                 | Screw              |                     |
| 15                           | 2                 | 9739-0831-22                         | Mutter                | Nut                |                     |
| 18                           | 2                 | 9898-1035-16                         | Skruv                 | Screw              |                     |
| 19                           | 2                 | 9739-1031-22                         | Mutter                | Nut                |                     |
| 31                           | 1                 | 8211-0701-91                         | Säkerhetsföreskrifter | Safety Regulations |                     |
| 31                           | 1                 | 8211-0901-90                         | Servicebok            | Service Book       |                     |
| 31                           | 1                 | 8211-0960-90                         | Garantikort           | Warranty Card      |                     |



| Utgåva<br>Issue<br>43 - 2014 |                   | Kaross<br>Body work |                          |                          |                     |
|------------------------------|-------------------|---------------------|--------------------------|--------------------------|---------------------|
| Pos.<br>Fig.                 | Antal<br>Quantity | Art nr<br>Part No   | Benämning                | Description              | Anmärkning<br>Notes |
| 1                            | 1                 | 1134-5263-02        | Motorhuv Gul             | Engine Hood Yellow       |                     |
| 2                            | 7                 | 9838-9530-12        | Skruv                    | Screw                    |                     |
| 3                            | 1                 | 1134-9028-01        | Gummistropp (3 St)       | Rubber Strap (3 Pcs)     | Sats 3 st/kit of 3  |
| 4                            | 1                 | 9632-0516-00        | Popnit 9.5               | Pop Rivet                |                     |
| 5                            | 1                 | 9699-0120-02        | Bricka                   | Washer                   |                     |
| 6                            | 1                 | 1134-5264-01        | Motorlucka (Grå) 7-14    | Engine Cover (Grey) 7-14 |                     |
| 7                            | 1                 | 1134-5308-01        | Skärm-Vä (Grå) 7-14      | Mudguard-Lh (Grey) 7-14  |                     |
| 8                            | 1                 | 1134-5308-02        | Skärm-Hö (Grå) 7-14      | Mudguard-Rh (Grey) 7-14  |                     |
| 9                            | 4                 | 9893-0616-16        | Relä   Skruv             | Relay   Screw            |                     |
| 10                           | 4                 | 1134-4176-01        | Clips                    | Clips                    |                     |
| 11                           | 2                 | 1134-0225-00        | Stödplåt                 | Support Plate            |                     |
| 12                           | 6                 | 9945-0816-16        | Skruv                    | Screw                    |                     |
| 13                           | 4                 | 9699-0056-02        | Bricka                   | Washer                   |                     |
| 14                           | 1                 | 1134-5306-01        | Stötfångare Front-Vä Grå | Bumper Front-Lh (Grey)   |                     |
| 15                           | 1                 | 1134-5306-02        | Stötfångare Front-Hö Grå | Bumper Front-Rh (Grey)   |                     |
| 16                           | 2                 | 9893-0616-16        | Relä   Skruv             | Relay   Screw            |                     |
| 18                           | 1                 | 1134-5305-01        | Front Nedre Gul          | Lower Hood Yellow        |                     |
| 19                           | 2                 | 9893-0616-16        | Relä   Skruv             | Relay   Screw            |                     |
| 20                           | 1                 | 1134-5320-02        | Front-Övre Hst Gul       | Front Cover Yellow       |                     |
| 21                           | 2                 | 9946-0525-16        | Skruv                    | Screw                    |                     |
| 22                           | 1                 | 1134-6241-01        | Huvstöd (Svart) 5-01     | Hood Support             |                     |
| 23                           | 3                 | 9893-0616-16        | Relä   Skruv             | Relay   Screw            |                     |
| 24                           | 1                 | 1134-3970-05        | Kantlist-Vä (Grå) 7-14   | Moulding-Left (Grey)     |                     |
| 25                           | 1                 | 1134-3970-02        | Kantlist-Hö (Grå) 7-14   | Moulding Right-Grey      |                     |
| 26                           | 2                 | 9893-0616-16        | Relä   Skruv             | Relay   Screw            |                     |
| 27                           | 2                 | 9699-0060-02        | Bricka                   | Washer                   |                     |
| 28                           | 2                 | 9747-0631-02        | Mutter   Låsmutter       | Nut                      |                     |
| 29                           | 2                 | 9897-0616-16        | Skruv                    | Screw                    |                     |
| 99                           | 1                 | 1134-6440-02        | Dekal                    | Label                    |                     |

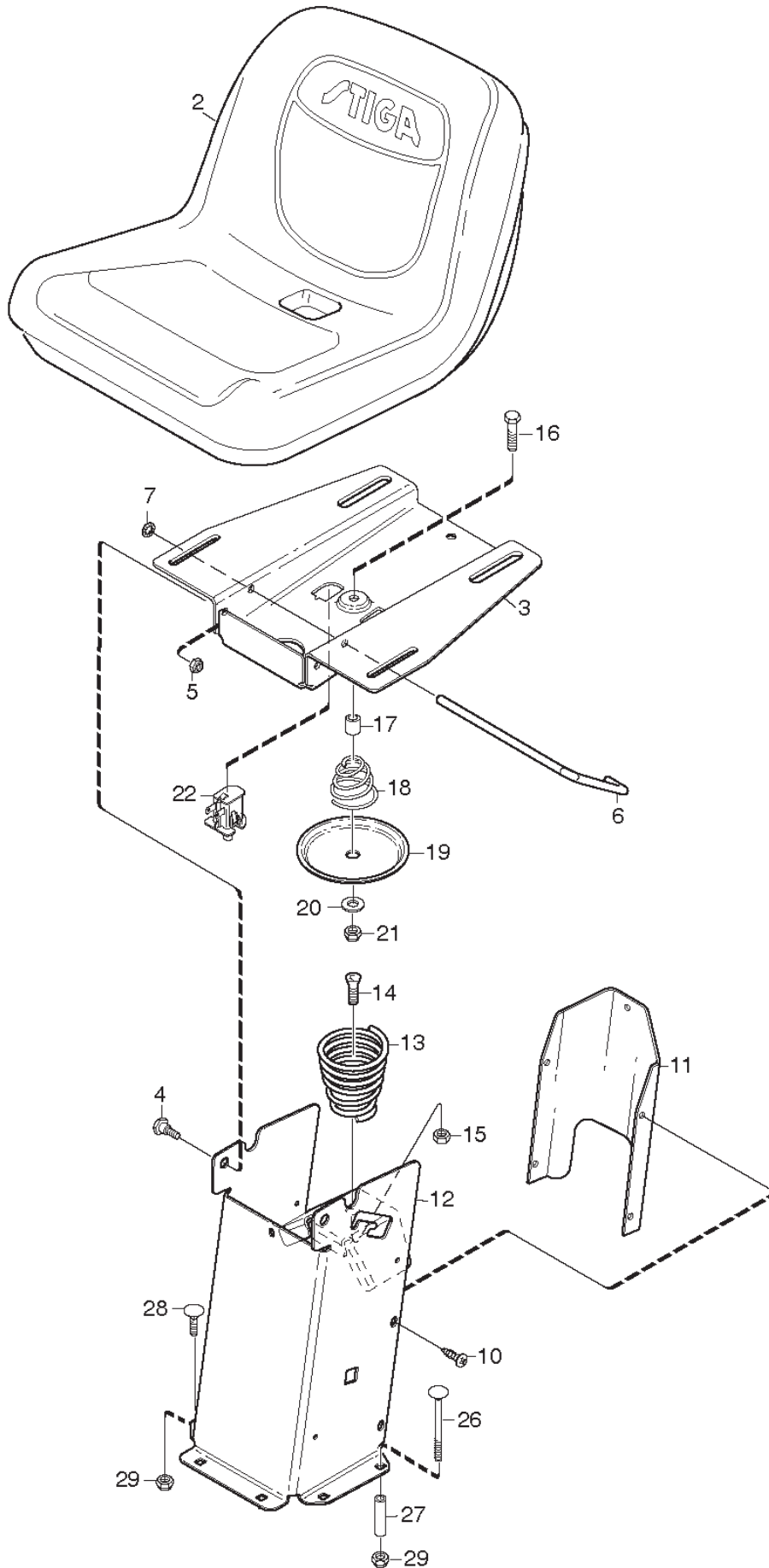


| Utgåva<br>Issue<br>43 - 2014 |                   | Ram               | Frame                        |                       |                           |
|------------------------------|-------------------|-------------------|------------------------------|-----------------------|---------------------------|
| Pos.<br>Fig.                 | Antal<br>Quantity | Art nr<br>Part No | Benämning                    | Description           | Anmärkning<br>Notes       |
| 1                            | 1                 | 1137-0182-01      | Ram-Främre Kpl               | Frame Front           | Inkl. pos 2-5             |
| 1                            | 1                 | 1137-0388-01      | Ram-Främre (2Wd) 5-01        | Frame-Front (2Wd)     | " France; Inkl. pos 2-5 " |
| 2                            | 1                 | 1134-3963-02      | Midjegaffel Service 5-01 H10 | Fork                  |                           |
| 3                            | 1                 | 1134-0031-00      | Ledaxelstopp                 | Pivot Shaft Stop      |                           |
| 4                            | 1                 | 9595-0262-00      | Spännstift                   | Locating Pin          |                           |
| 5                            | 1                 | 9501-0500-00      | Smörjkopp Kort Rak           | Grease Dispenser      | Rak/straight              |
| 5                            | 1                 | 9501-0504-01      | Smörjnippel                  | Grease Nipple M6 90   | 90                        |
| 6                            | 1                 | 1134-2171-01      | Fjäder                       | Spring                |                           |
| 7                            | 1                 | 1134-6466-01      | Ram-Bakre Kpl (5-01)         | Frame-Rear Assy       |                           |
| 8                            | 1                 | 1134-5705-01      | Distans                      | Spacer                |                           |
| 9                            | 2                 | 9547-0001-00      | Ledlager Ge17Es              | Bearing               |                           |
| 10                           | 2                 | 9501-0500-00      | Smörjkopp Kort Rak           | Grease Dispenser      |                           |
| 11                           | 1                 | 1134-5988-01      | Centrumaxel                  | Centre Shaft          |                           |
| 13                           | 2                 | 9699-0035-02      | Bricka                       | Washer                |                           |
| 14                           | 2                 | 9959-1025-16      | Skruv                        | Screw                 |                           |
| 16                           | 1                 | 1134-6586-01      | Durk (5-01)                  | Floor Plate           |                           |
| 17                           | 1                 | 1134-6372-04      | Durkmatta                    | Floor Mat Hst         |                           |
| 18                           | 2                 | 9893-0616-16      | Relä   Skruv                 | Relay   Screw         |                           |
| 19                           | 2                 | 9403-0048-70      | Täckpropp lkpt 13-6,5S       | Cover Plug            |                           |
| 20                           | 2                 | 9945-0816-16      | Skruv                        | Screw                 |                           |
| 21                           | 2                 | 9959-0820-16      | Skruv                        | Screw                 |                           |
| 22                           | 2                 | 9739-0831-22      | Mutter                       | Nut                   |                           |
| 28                           | 1                 | 1134-4975-01      | Gummibuffert                 | Rubber Buffer         |                           |
| 29                           | 1                 | 9950-0570-12      | Skruv                        | Screw                 |                           |
| 30                           | 2                 | 9739-0531-22      | Mutter                       | Nut                   |                           |
| 31                           | 1                 | 1134-5337-02      | Stötfångare-bakre, grå       | Bumper Assy-Rear Grey |                           |
| 32                           | 2                 | 1134-0240-00      | Skruv                        | Screw                 |                           |
| 33                           | 2                 | 1134-4242-01      | Distansbricka                | Washer                |                           |
| 34                           | 2                 | 9665-0002-00      | Bricka                       | Washer                |                           |
| 35                           | 2                 | 9747-0831-02      | Mutter   Låsmutter           | Nut                   |                           |
| 36                           | 2                 | 9943-0516-16      | Skruv                        | Screw                 |                           |
| 37                           | 2                 | 1134-5345-01      | Batterihållare               | Battery Holder        |                           |
| 38                           | 1                 | 1134-5344-01      | Batterihylla                 | Battery Shelf         |                           |
| 39                           | 4                 | 9945-0816-16      | Skruv                        | Screw                 |                           |

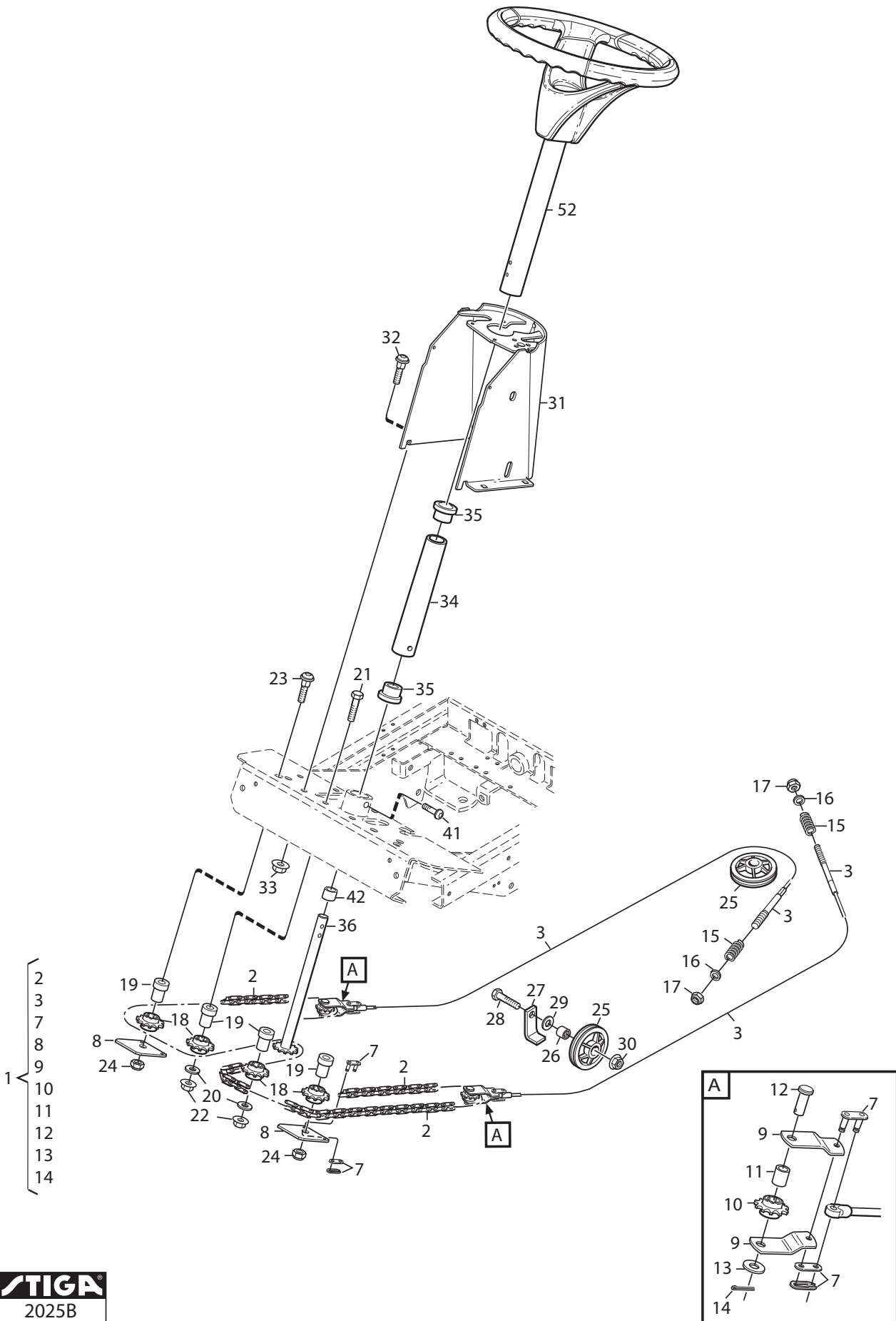




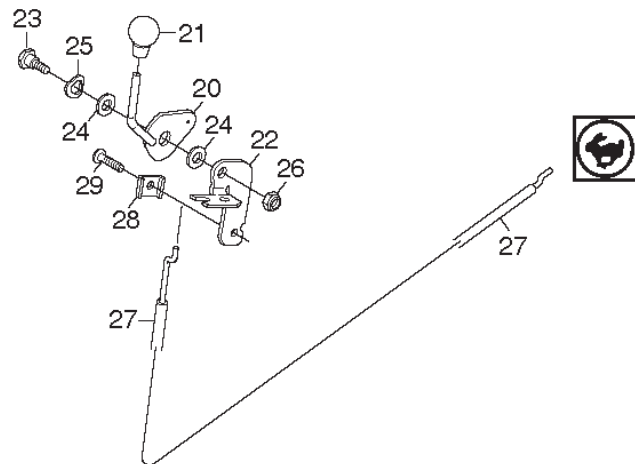
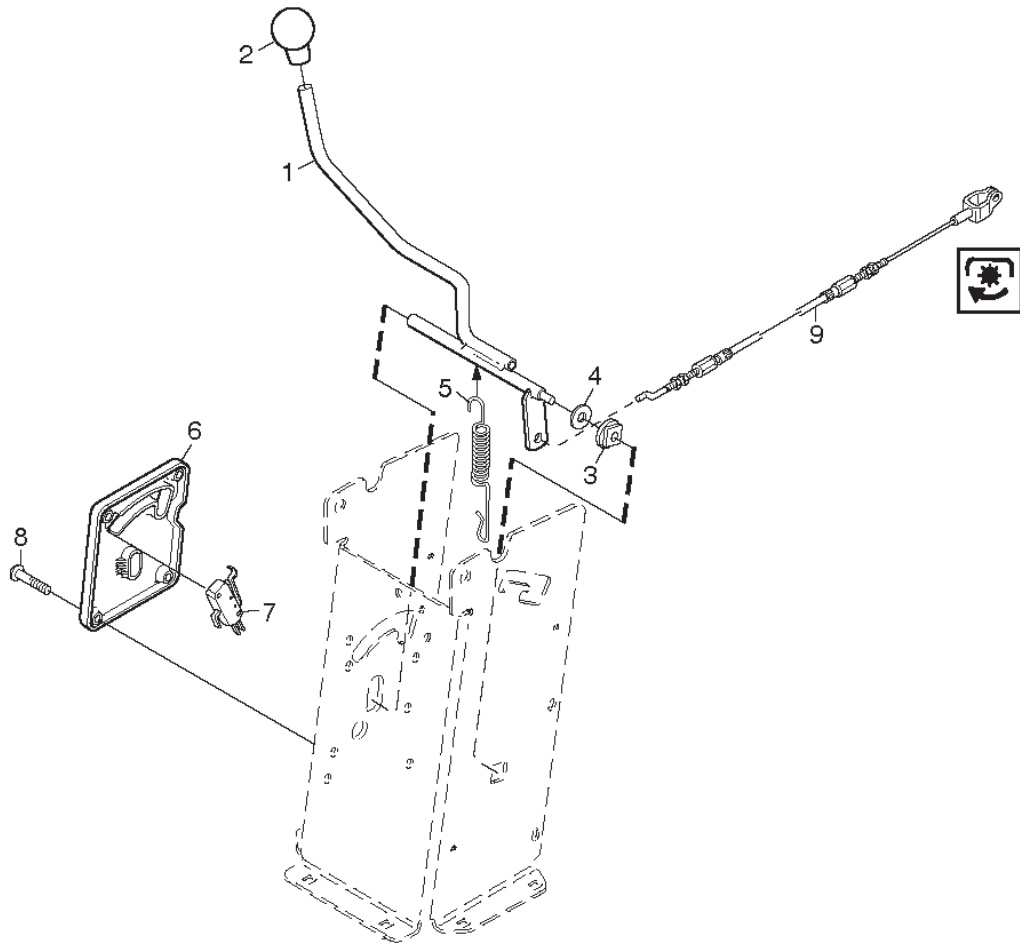
| Utgåva<br>Issue<br>43 - 2014 |                   | Pedallyft<br>Pedal lift |                       |                    |                     |
|------------------------------|-------------------|-------------------------|-----------------------|--------------------|---------------------|
| Pos.<br>Fig.                 | Antal<br>Quantity | Art nr<br>Part No       | Benämning             | Description        | Anmärkning<br>Notes |
| 1                            | 1                 | 1134-4117-01            | Fäste                 | Bracket            |                     |
| 2                            | 2                 | 1134-2684-01            | Lager                 | Bearing            |                     |
| 3                            | 1                 | 1134-4945-01            | Lyftspärr kpl         | Lift Catch Assy    |                     |
| 7                            | 1                 | 9404-0027-01            | O-ring                | O-ring             |                     |
| 8                            | 1                 | 9650-0039-04            | Spårring Sga 8        | Lock Ring          |                     |
| 9                            | 1                 | 9595-0276-01            | Spiralspännstift 8*24 | Locating Pin       |                     |
| 10                           | 1                 | 9997-0640-12            | Skruv                 | Screw              |                     |
| 11                           | 1                 | 9747-0631-02            | Mutter   Låsmutter    | Nut                |                     |
| 13                           | 1                 | 9897-0820-16            | Skruv                 | Screw              |                     |
| 14                           | 1                 | 9747-0831-02            | Mutter   Låsmutter    | Nut                |                     |
| 15                           | 1                 | 1134-4860-01            | Lyftgaffel            | Lift Fork          |                     |
| 16                           | 2                 | 1134-0240-00            | Skruv                 | Screw              |                     |
| 17                           | 1                 | 1134-4938-01            | Lyftpedal             | Lift Pedal         |                     |
| 18                           | 2                 | 9997-0625-16            | Skruv                 | Screw              |                     |
| 19                           | 2                 | 9739-0631-22            | Mutter   Strålkastare | Nut   Working lamp |                     |
| 20                           | 1                 | 4231-0013-00            | Fjäder                | Spring             |                     |



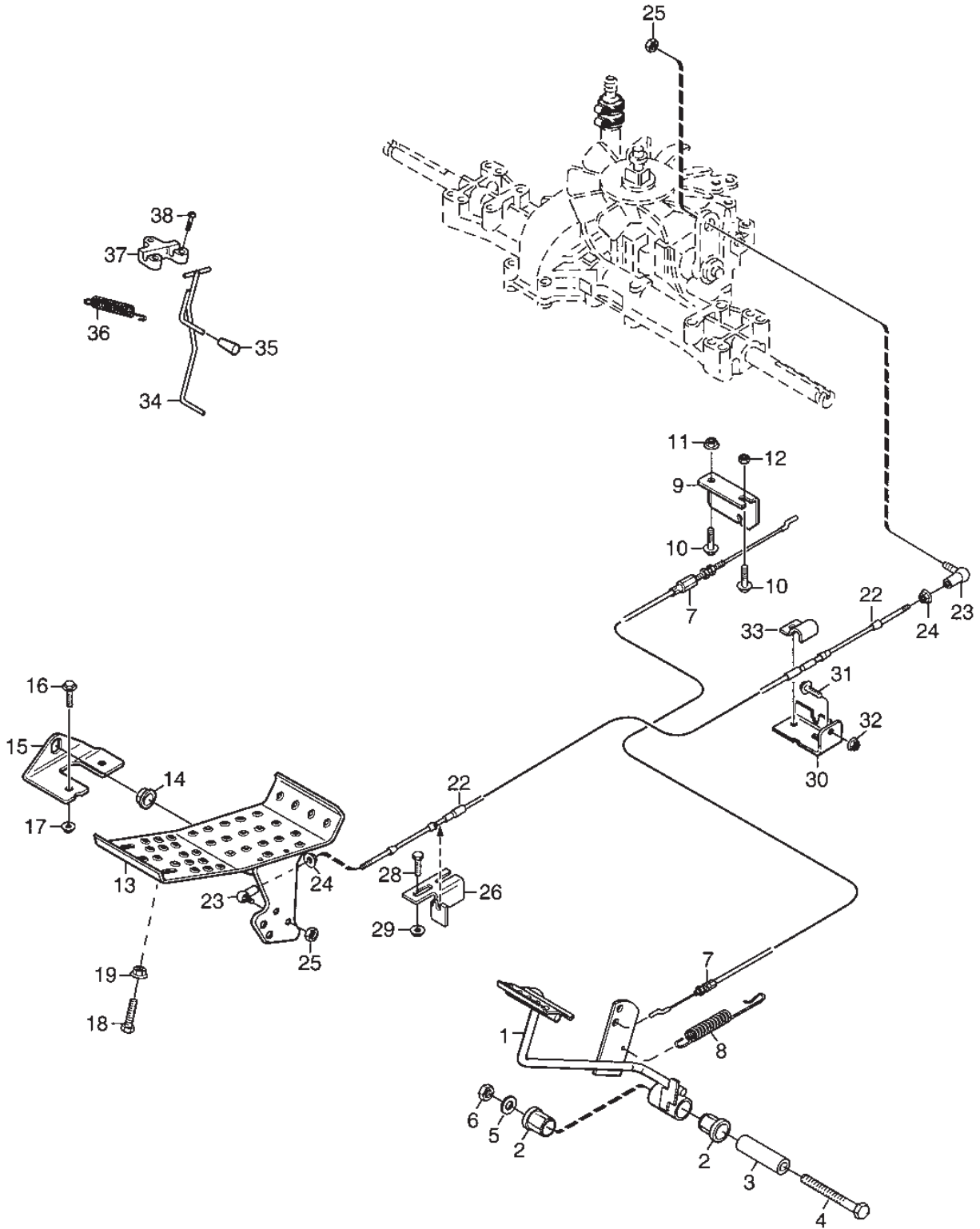
| Utgåva<br>Issue<br>43 - 2014 |                   | Sits              | Seat                      |                       |                     |
|------------------------------|-------------------|-------------------|---------------------------|-----------------------|---------------------|
| Pos.<br>Fig.                 | Antal<br>Quantity | Art nr<br>Part No | Benämning                 | Description           | Anmärkning<br>Notes |
| 2                            | 1                 | 1134-6444-01      | Sits (Xb 150) Stiga       | Seat                  |                     |
| 3                            | 1                 | 1134-5301-01      | Sitsplatta                | Upper Seat Bracket    |                     |
| 4                            | 2                 | 1134-0240-00      | Skruv                     | Screw                 |                     |
| 5                            | 2                 | 9747-0831-02      | Mutter   Låsmutter        | Nut                   |                     |
| 6                            | 1                 | 1134-5454-01      | Spärr                     | Catch                 |                     |
| 7                            | 1                 | 9675-0012-02      | Starlock                  | Locking washer        |                     |
| 10                           | 4                 | 9893-0616-16      | Relä   Skruv              | Relay   Screw         |                     |
| 11                           | 1                 | 1134-5300-01      | Bakstycke Gul             | Rear Plate, Yellow    |                     |
| 12                           | 1                 | 1134-5296-04      | Sitskonsol Kpl (Gul) 1-00 | Seat Bracket (Yellow) |                     |
| 13                           | 1                 | 1134-4256-01      | Fjäder                    | Spring                |                     |
| 14                           | 1                 | 9924-1235-19      | Skruv                     | Screw                 |                     |
| 15                           | 1                 | 9747-1231-02      | Mutter                    | Nut                   |                     |
| 16                           | 1                 | 9997-0840-16      | Skruv                     | Screw                 |                     |
| 17                           | 1                 | 1134-1565-06      | Distans                   | Spacer                |                     |
| 18                           | 1                 | 1134-5302-01      | Fjäder                    | Spring                |                     |
| 19                           | 1                 | 1134-5299-01      | Tryckplatta               | Push Plate            |                     |
| 20                           | 1                 | 9699-0090-02      | Bricka                    | Washer                |                     |
| 21                           | 1                 | 9747-0831-02      | Mutter   Låsmutter        | Nut                   |                     |
| 22                           | 1                 | 1134-3156-02      | Brytare (grå)             | Switch                |                     |
| 26                           | 2                 | 9897-0880-12      | Skruv                     | Screw                 | L = 80 mm           |
| 27                           | 2                 | 1134-1565-08      | Distans                   | Spacer                |                     |
| 28                           | 4                 | 9897-0820-16      | Skruv                     | Screw                 | L = 20 mm           |
| 29                           | 6                 | 9747-0831-02      | Mutter   Låsmutter        | Nut                   |                     |



| Utgåva<br>Issue<br>43 - 2014 |                   | Styrning<br>Steering |                           |                                |                     |
|------------------------------|-------------------|----------------------|---------------------------|--------------------------------|---------------------|
| Pos.<br>Fig.                 | Antal<br>Quantity | Art nr<br>Part No    | Benämning                 | Description                    | Anmärkning<br>Notes |
| 1                            | 1                 | 1134-6380-02         | Styrkedja                 | Steering Chain Assy            | Inkl. pos 2-14      |
| 2                            | 1                 | 1134-6374-10         | Kedja                     | Chain                          | 129 länk            |
| 3                            | 1                 | 1134-9099-01         | Styrwire                  | Steering Wire                  | Sats vä+hö/kit L+R  |
| 7                            | 4                 | 1134-2824-02         | Kedjelås Fz               | Chain Lock                     |                     |
| 8                            | 2                 | 1134-5652-01         | Fäste                     | Attachment                     |                     |
| 9                            | 4                 | 1134-5651-01         | Fäste                     | Bracket                        |                     |
| 10                           | 2                 | 1134-2816-01         | Kedjehjul                 | Sprocket                       |                     |
| 11                           | 2                 | 1134-0041-02         | Bussning                  | Bushing                        |                     |
| 12                           | 2                 | 1134-4817-01         | Stift                     | Pin                            |                     |
| 13                           | 2                 | 9699-0035-02         | Bricka                    | Washer                         |                     |
| 14                           | 2                 | 9599-0054-02         | SaxSprint                 | Split Pin                      |                     |
| 15                           | 2                 | 1134-3817-01         | Fjäder                    | Spring                         |                     |
| 16                           | 2                 | 9699-0090-02         | Bricka                    | Washer                         |                     |
| 17                           | 2                 | 9747-0831-02         | Mutter   Låsmutter        | Nut                            |                     |
| 18                           | 4                 | 1134-2816-01         | Kedjehjul                 | Sprocket                       |                     |
| 19                           | 4                 | 1134-5653-01         | Distans                   | Spacer                         |                     |
| 20                           | 2                 | 9699-0035-02         | Bricka                    | Washer                         |                     |
| 21                           | 2                 | 9997-1060-12         | Skruv                     | Screw                          |                     |
| 22                           | 2                 | 9739-1031-22         | Mutter                    | Nut                            |                     |
| 23                           | 2                 | 9897-1060-12         | Skruv                     | Screw                          |                     |
| 24                           | 2                 | 9731-1031-22         | Mutter                    | Nut                            |                     |
| 25                           | 2                 | 1134-9025-01         | Linhjul                   | Steering Pulley                | Sats 2 st/kit of 2  |
| 26                           | 2                 | 1134-0041-01         | Bussning                  | Bushing                        |                     |
| 27                           | 2                 | 1134-0046-00         | Wireklämma                | Wire Clamp                     |                     |
| 28                           | 2                 | 9997-1040-16         | Skruv                     | Screw                          |                     |
| 29                           | 2                 | 9699-0035-02         | Bricka                    | Washer                         |                     |
| 30                           | 2                 | 9739-1031-22         | Mutter                    | Nut                            |                     |
| 31                           | 1                 | 1134-5349-01         | Styrkonsol Kpl (Gul) 1-00 | Steering Console (Yellow) 1-00 |                     |
| 32                           | 4                 | 9897-0820-16         | Skruv                     | Screw                          |                     |
| 33                           | 4                 | 9739-0831-22         | Mutter                    | Nut                            |                     |
| 34                           | 1                 | 1134-1305-05         | Rattrör Nedre             | Steering Column, Lower         |                     |
| 35                           | 2                 | 1134-1901-01         | Lager                     | Bearing                        |                     |
| 36                           | 1                 | 1137-0079-04         | Rattstång Kpl             | Steering Rod Assy              |                     |
| 41                           | 2                 | 9893-0616-16         | Relä   Skruv              | Relay   Screw                  |                     |
| 42                           | 1                 | 1134-2837-03         | Distans                   | Spacer                         |                     |
| 52                           | 1                 | 1134-5496-03         | Ratt                      | Steering Wheel                 |                     |

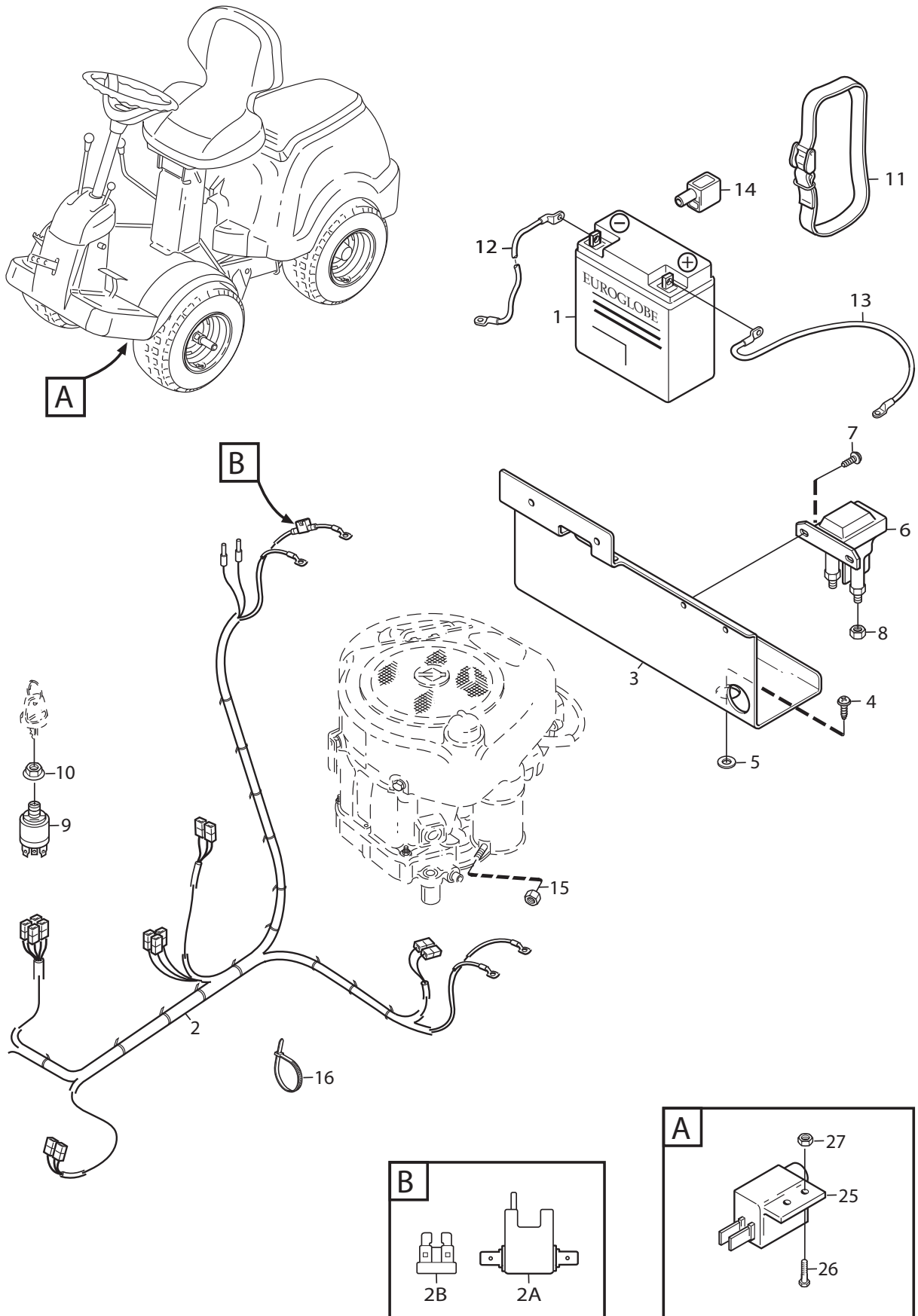


| Utgåva<br>Issue<br>43 - 2014 |                   | Handreglage<br>Hand controls |                    |                        |                     |
|------------------------------|-------------------|------------------------------|--------------------|------------------------|---------------------|
| Pos.<br>Fig.                 | Antal<br>Quantity | Art nr<br>Part No            | Benämning          | Description            | Anmärkning<br>Notes |
| 1                            | 1                 | 1134-6301-01                 | Aggregatsspak5-01  | Engage Lever           |                     |
| 2                            | 1                 | 1134-2551-01                 | Knopp              | Knob                   |                     |
| 3                            | 1                 | 1134-3790-02                 | Lager              | Bearing                |                     |
| 4                            | 1                 | 9699-0090-02                 | Bricka             | Washer                 |                     |
| 5                            | 1                 | 4231-0013-00                 | Fjäder             | Spring                 |                     |
| 6                            | 1                 | 1134-5368-01                 | Panel              | Dashboard              |                     |
| 7                            | 1                 | 9400-0312-01                 | Mikrobrytare       | Microswitch            |                     |
| 8                            | 4                 | 9946-0525-16                 | Skruv              | Screw                  |                     |
| 9                            | 1                 | 1134-3573-05                 | Reglagewire        | Control Cable          |                     |
| 20                           | 1                 | 1134-5465-01                 | Gasreglage         | Throttle Control Lever |                     |
| 21                           | 1                 | 1134-4078-01                 | Knopp              | Knob                   |                     |
| 22                           | 1                 | 1134-5464-01                 | Fäste              | Bracket                |                     |
| 23                           | 1                 | 1134-0240-00                 | Skruv              | Screw                  |                     |
| 24                           | 2                 | 1134-4242-01                 | Distansbricka      | Washer                 |                     |
| 25                           | 1                 | 9694-0001-00                 | Bricka             | Washer                 |                     |
| 26                           | 1                 | 9747-0831-02                 | Mutter   Låsmutter | Nut                    |                     |
| 27                           | 1                 | 1134-4197-03                 | Gasreglage         | Throttle Cable         |                     |
| 28                           | 1                 | 9500-9991-00                 | Kabelklämma        | Wire Clamp             |                     |
| 29                           | 1                 | 9943-0516-16                 | Skruv              | Screw                  |                     |

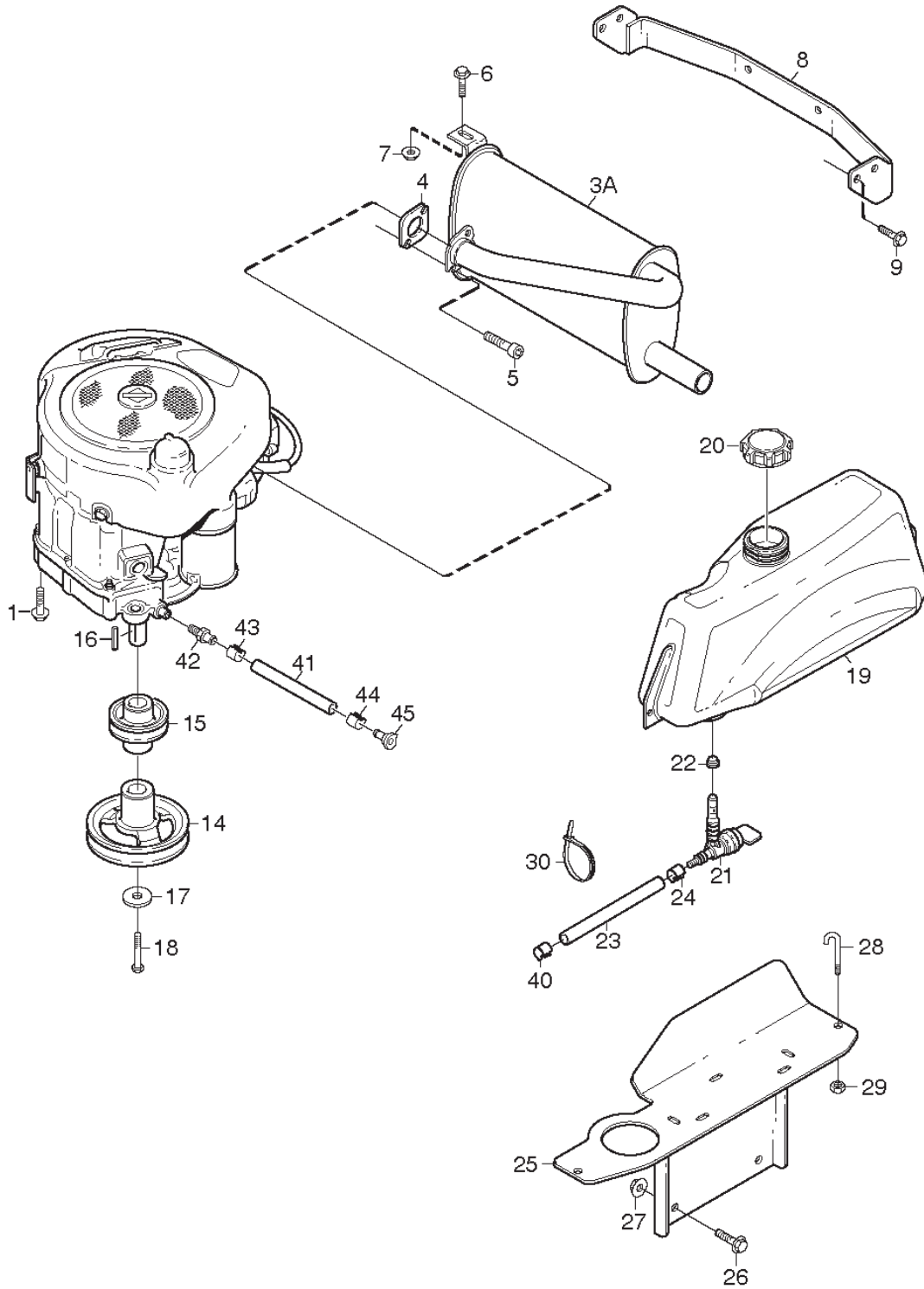




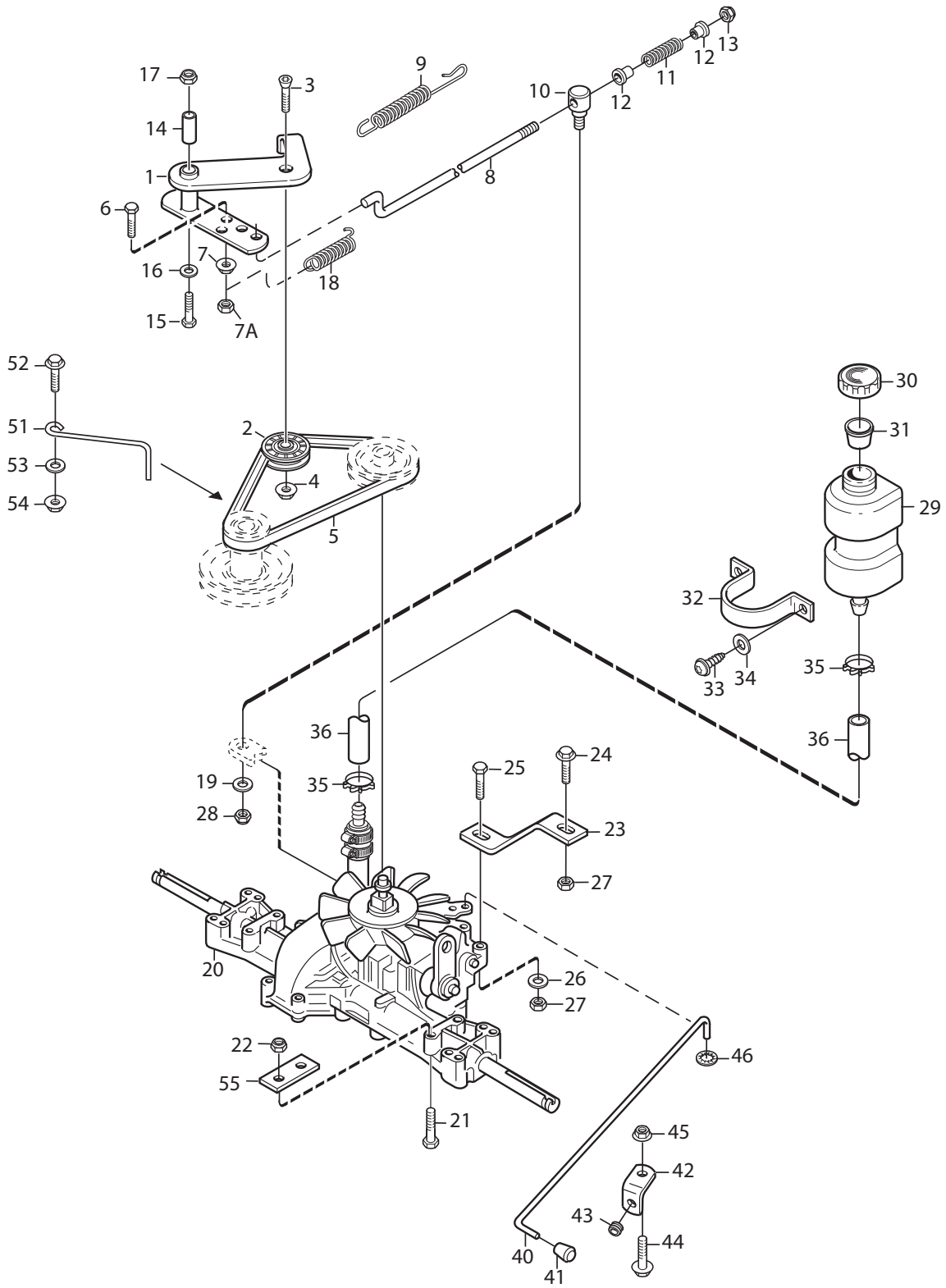
| Utgåva<br>Issue<br>43 - 2014 |                   | Fotreglage        |                            | Foot controls        |                     |
|------------------------------|-------------------|-------------------|----------------------------|----------------------|---------------------|
| Pos.<br>Fig.                 | Antal<br>Quantity | Art nr<br>Part No | Benämning                  | Description          | Anmärkning<br>Notes |
| 1                            | 1                 | 1134-5655-01      | Kopplingspedal Kpl         | Clutch Pedal         |                     |
| 2                            | 1                 | 1134-9024-01      | Lager (4 St)               | Bearing              | Sats 4 st/kit of 4  |
| 3                            | 1                 | 1134-5677-02      | Distans                    | Spacer               |                     |
| 4                            | 1                 | 9997-1070-12      | Skruv                      | Screw                |                     |
| 5                            | 1                 | 9699-0030-02      | Bricka                     | Washer               |                     |
| 6                            | 1                 | 9739-1031-22      | Mutter                     | Nut                  |                     |
| 7                            | 1                 | 1134-6005-01      | Reglagewire                | Control Cable        |                     |
| 8                            | 1                 | 4231-0013-00      | Fjäder                     | Spring               |                     |
| 9                            | 1                 | 1134-3906-01      | Vajerfäste 24              | Cabel Holder         |                     |
| 9                            | 1                 | 1134-6467-01      | Wirefäste                  | Cable Holder         |                     |
| 10                           | 2                 | 9959-0820-16      | Skruv                      | Screw                |                     |
| 11                           | 1                 | 9739-0831-22      | Mutter                     | Nut                  |                     |
| 12                           | 1                 | 9747-0831-02      | Mutter   Låsmutter         | Nut                  |                     |
| 13                           | 1                 | 1134-6353-01      | Drivpedal                  | Drive Pedal          |                     |
| 14                           | 2                 | 1134-6313-01      | Lager                      | Bearing              |                     |
| 15                           | 2                 | 1134-2700-01      | Fäste                      | Bracket              |                     |
| 16                           | 2                 | 9959-0820-16      | Skruv                      | Screw                |                     |
| 17                           | 2                 | 9739-0831-22      | Mutter                     | Nut                  |                     |
| 18                           | 1                 | 9997-0835-16      | Skruv                      | Screw                |                     |
| 19                           | 1                 | 9739-0831-22      | Mutter                     | Nut                  |                     |
| 22                           | 1                 | 1134-2766-05      | Reglagevajer               | Speed Control Cable  |                     |
| 23                           | 2                 | 9570-0001-00      | Vinkellänk As8 Din 71802M5 | Elbow Link           |                     |
| 24                           | 2                 | 9739-0531-22      | Mutter                     | Nut                  |                     |
| 25                           | 2                 | 9747-0531-02      | Mutter                     | Nut                  |                     |
| 26                           | 1                 | 1134-6317-01      | Wirefäste                  | Wire Bracket         |                     |
| 28                           | 2                 | 9959-0620-16      | Skruv                      | Screw                |                     |
| 29                           | 2                 | 9739-0631-22      | Mutter   Strålkastare      | Nut   Working lamp   |                     |
| 30                           | 1                 | 1134-3395-01      | Fäste 24 (5-01)            | Attachment           |                     |
| 31                           | 2                 | 9959-0820-16      | Skruv                      | Screw                |                     |
| 32                           | 2                 | 9739-0831-22      | Mutter                     | Nut                  |                     |
| 33                           | 1                 | 1134-2021-01      | Växelwirefäste             | Clamp                |                     |
| 34                           | 1                 | 1134-5353-01      | Bromsstång                 | Brake Rod            |                     |
| 35                           | 1                 | 1134-2786-01      | Knopp                      | Knob                 |                     |
| 36                           | 1                 | 1131-1497-01      | Fjäder                     | Brake Spring         |                     |
| 37                           | 1                 | 1134-4002-01      | Fäste                      | Brake Rod Attachment |                     |
| 38                           | 3                 | 9838-9516-12      | Skruv                      | Screw                |                     |



| Utgåva<br>Issue<br>43 - 2014 |                   | Elsystem          | Electric system                     |                                      |                     |
|------------------------------|-------------------|-------------------|-------------------------------------|--------------------------------------|---------------------|
| Pos.<br>Fig.                 | Antal<br>Quantity | Art nr<br>Part No | Benämning                           | Description                          | Anmärkning<br>Notes |
| 1                            | 1                 | 1134-4804-01      | Batteri                             | Battery                              |                     |
| 2                            | 1                 | 9400-0327-01      | Säkringshållare Inkl 20A Säkring    | Fuse Holder Incl Fuse                | Inkl. pos 2B        |
| 2                            | 1                 | 1134-3496-06      | Säkring (20A)                       | Fuse (20A)                           | 20A                 |
| 2                            | 1                 | 1134-5769-01      | Kablage   Kablage (Park kplact Hst) | Harness   Harness (Park Compact Hst) |                     |
| 2                            | 1                 | 1137-0455-01      | Kablage                             | Harness                              |                     |
| 3                            | 1                 | 1134-5343-01      | Batterikonsol                       | Battery Bracket                      |                     |
| 4                            | 3                 | 9852-8013-16      | Skruv                               | Screw                                |                     |
| 5                            | 2                 | 9699-0060-02      | Bricka                              | Washer                               |                     |
| 6                            | 1                 | 1134-2962-01      | Solenoid Kpl Service                | Solenoid                             | Inkl. pos 8         |
| 7                            | 2                 | 9852-8013-16      | Skruv                               | Screw                                |                     |
| 8                            | 2                 | 9794-5131-02      | Mutter                              | Nut                                  |                     |
| 9                            | 1                 | 1134-4093-01      | Tändningslås                        | Ignition Switch                      |                     |
| 10                           | 1                 | 1134-4749-01      | Mutter                              | Nut                                  |                     |
| 11                           | 1                 | 1134-5245-01      | Batterirem                          | Battery Strap                        |                     |
| 12                           | 1                 | 1134-2167-01      | Elkabel                             | Cable                                |                     |
| 12                           | 1                 | 1134-2167-02      | Kabel (Minus)                       | Cable (-)                            |                     |
| 13                           | 1                 | 1134-0234-02      | Batterikabel (+)                    | Battery Cable (+)                    |                     |
| 14                           | 1                 | 1134-2310-01      | Batteriskydd                        | Guard Cap (+)                        |                     |
| 15                           | 1                 | 9795-3531-02      | Mutter                              | Nut                                  | 1/4" UNC            |
| 16                           | 15                | 9579-0003-00      | Buntband                            | Cable Holder                         |                     |
| 25                           | 1                 | 1134-3399-02      | Brytare                             | Switch                               |                     |
| 26                           | 2                 | 9997-0520-16      | Skruv                               | Screw                                |                     |
| 27                           | 2                 | 9747-0531-02      | Mutter                              | Nut                                  |                     |
| 28                           | 1                 | 1134-6454-01      | Jordplåt                            | Ground Plate                         | Silent              |
| 29                           | 2                 | 9959-0612-16      | Skruv                               | Screw                                | Silent              |
| 30                           | 2                 | 9739-0631-22      | Mutter   Strålkastare               | Nut   Working lamp                   | Silent              |
| 32                           | 1                 | 1137-0441-01      | Fäste                               | Supporto                             | Silent              |
| 33                           | 2                 | 9945-0816-16      | Skruv                               | Screw                                | Silent              |



| Utgåva<br>Issue<br>43 - 2014 |                   | Motor             | Engine                    |                     |                     |
|------------------------------|-------------------|-------------------|---------------------------|---------------------|---------------------|
| Pos.<br>Fig.                 | Antal<br>Quantity | Art nr<br>Part No | Benämning                 | Description         | Anmärkning<br>Notes |
| 1                            | 4                 | 9955-3725-16      | Skruv                     | Screw               | 3/8" UNC x 25 mm    |
| 3                            | 1                 | 1134-7784-01      | Ljuddämpare Kpl           | Muffler Assy        |                     |
| 4                            | 1                 | 1134-0433-00      | Packning                  | Gasket              |                     |
| 5                            | 2                 | 1134-4930-01      | Skruv                     | Screw               |                     |
| 6                            | 1                 | 9959-0820-16      | Skruv                     | Screw               |                     |
| 7                            | 1                 | 9739-0831-22      | Mutter                    | Nut                 |                     |
| 8                            | 1                 | 1134-5390-01      | Dragkroksbalk             | Tow Bar Bracket     |                     |
| 9                            | 4                 | 9945-0816-16      | Skruv                     | Screw               |                     |
| 14                           | 1                 | 1134-6419-01      | Motorremskiva             | Engine Pulley       |                     |
| 15                           | 1                 | 1134-6137-01      | Motorremskiva             | Engine Belt Pulley  |                     |
| 16                           | 1                 | 9600-0251-01      | Kil                       | Key                 | L = 2 1/2"          |
| 17                           | 1                 | 1134-5017-01      | Bricka                    | Washer              |                     |
| 18                           | 1                 | 9987-5332-16      | Skruv                     | Screw               |                     |
| 19                           | 1                 | 1134-6618-01      | Bränsletank               | Fuel Tank           |                     |
| 20                           | 1                 | 1134-5532-01      | Tanklock                  | Fuel Tank Cap       |                     |
| 21                           | 1                 | 1134-3224-01      | Bensinkran                | Fuel Shut-Off Valve |                     |
| 22                           | 1                 | 1134-3225-01      | Gummibussning             | Grommet             |                     |
| 23                           | 1                 | 1134-2975-01      | Bensinslang               | Fuel Tube           | L = 520 mm          |
| 24                           | 1                 | 9578-0023-02      | Slangklämma D12*8 (Svart) | Hose Clamp          |                     |
| 25                           | 1                 | 1134-6627-01      | Tankfäste                 | Fuel Tank Bracket   |                     |
| 26                           | 2                 | 9959-0820-16      | Skruv                     | Screw               |                     |
| 27                           | 2                 | 9739-0831-22      | Mutter                    | Nut                 |                     |
| 28                           | 2                 | 1134-5346-01      | Tankbygel                 | Fuel Tank Loop      |                     |
| 29                           | 2                 | 9747-0631-02      | Mutter   Låsmutter        | Nut                 |                     |
| 30                           | 1                 | 9579-0003-00      | Buntband                  | Cable Holder        |                     |
| 40                           | 1                 | 9578-0023-02      | Slangklämma D12*8 (Svart) | Hose Clamp          |                     |
| 41                           | 1                 | 1134-5827-01      | Oljeavtappning Kpl        | Oil Drain Assy      | Pos 42-45 incl.     |
| 42                           | 1                 | 1134-5825-01      | Nippel                    | Nipple              |                     |
| 43                           | 1                 | 9578-0023-04      | Slangklämma 15*8 (Vit)    | Hose Clamp          |                     |
| 44                           | 1                 | 1134-3499-02      | Slangklämma               | Hose Clamp          |                     |
| 45                           | 1                 | 1134-5826-01      | Plugg                     | Plug                |                     |

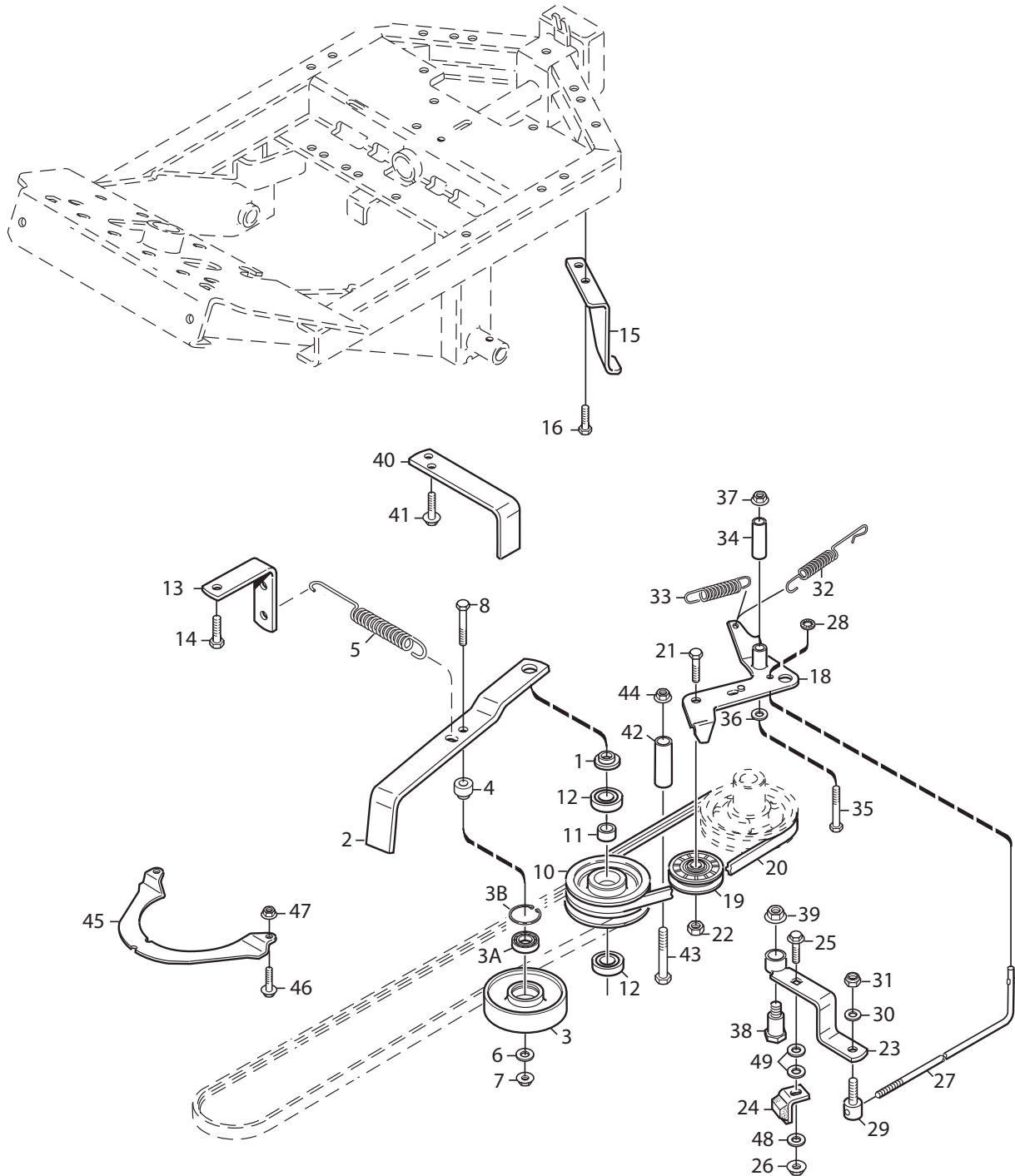


| Utgåva<br>Issue<br>43 - 2014 |                   | Transmission      |                        | Tranmssion         |                     |
|------------------------------|-------------------|-------------------|------------------------|--------------------|---------------------|
| Pos.<br>Fig.                 | Antal<br>Quantity | Art nr<br>Part No | Benämning              | Description        | Anmärkning<br>Notes |
| 1                            | 1                 | 1134-4000-02      | Spännarm Kpl 15        | Tension Arm        |                     |
| 2                            | 1                 | 1134-3459-01      | Spännrulle             | Tension Roller     |                     |
| 3                            | 1                 | 9924-1035-16      | Skruv                  | Screw              |                     |
| 4                            | 1                 | 9799-1031-02      | Mutter                 | Nut                |                     |
| 5                            | 1                 | 1134-9058-01      | Kilrem                 | V-Belt             | 9585-0091-01        |
| 6                            | 1                 | 9997-0625-16      | Skruv                  | Screw              |                     |
| 7                            | 1                 | 9739-0631-22      | Mutter   Strålkastare  | Nut   Working lamp |                     |
| 7                            | 1                 | 9747-0631-02      | Mutter   Låsmutter     | Nut                |                     |
| 8                            | 1                 | 1134-3377-02      | Reglagestång           | Control Rod        |                     |
| 9                            | 1                 | 4231-0013-00      | Fjäder                 | Spring             |                     |
| 10                           | 1                 | 1134-4171-01      | Ledtapp                | Pivot Pin          |                     |
| 11                           | 1                 | 1134-4183-01      | Fjäder                 | Spring             |                     |
| 12                           | 2                 | 1134-3456-01      | Bussning               | Bushing            |                     |
| 13                           | 1                 | 9747-0631-02      | Mutter   Låsmutter     | Nut                |                     |
| 14                           | 1                 | 1134-1565-08      | Distans                | Spacer             |                     |
| 15                           | 1                 | 9997-0870-16      | Skruv                  | Screw              |                     |
| 16                           | 1                 | 9699-0056-02      | Bricka                 | Washer             |                     |
| 17                           | 1                 | 9747-0831-02      | Mutter   Låsmutter     | Nut                |                     |
| 18                           | 1                 | 1134-6414-01      | Fjäder                 | Spring             |                     |
| 19                           | 1                 | 9699-0060-02      | Bricka                 | Washer             |                     |
| 20                           | 1                 | 1137-0123-01      | Transaxel K46Ci        | Transaxle K46Ci    | Kanzaki K46Ci       |
| 21                           | 4                 | 9960-0860-12      | Skruv                  | Screw              |                     |
| 22                           | 4                 | 9747-0831-02      | Mutter   Låsmutter     | Nut                |                     |
| 23                           | 1                 | 1134-3913-01      | Reaktionsstag 5-01 F24 | Strut              |                     |
| 24                           | 1                 | 9959-0825-16      | Skruv                  | Screw              |                     |
| 25                           | 1                 | 9997-0845-12      | Skruv                  | Screw              |                     |
| 26                           | 1                 | 9699-0090-02      | Bricka                 | Washer             |                     |
| 27                           | 2                 | 9747-0831-02      | Mutter   Låsmutter     | Nut                |                     |
| 28                           | 1                 | 9747-0631-02      | Mutter   Låsmutter     | Nut                |                     |
| 29                           | 1                 | 1134-2765-02      | Oljetank               | Oil Tank           |                     |
| 30                           | 1                 | 1134-2777-02      | Tanklock               | Filler Cap         |                     |
| 31                           | 1                 | 1134-3734-01      | Plugg (Service)        | Vent Plug          |                     |
| 32                           | 1                 | 1134-2778-01      | Fästband5-01           | Band               |                     |
| 33                           | 2                 | 9852-8013-16      | Skruv                  | Screw              |                     |
| 34                           | 2                 | 9699-0099-02      | Bricka                 | Washer             |                     |
| 35                           | 2                 | 9578-0035-01      |                        |                    | 14,6-17,8           |
| 36                           | 1                 | 1134-2779-12      |                        |                    | L = 205 mm          |
| 36                           | 1                 | 1134-2779-07      | Rör                    | Tube               | L = 140 mm          |
| 40                           | 1                 | 1134-4015-01      | Dragstång              | Pull Rod           |                     |
| 41                           | 1                 | 1134-4014-01      | Plastknopp             | Knob               |                     |
| 42                           | 1                 | 1134-4713-01      | Vinkelfäste            | Angle Bracket      |                     |
| 43                           | 1                 | 1134-2790-01      | Kabelgenomföring       | Cable Protection   |                     |
| 44                           | 1                 | 9959-0820-16      | Skruv                  | Screw              |                     |
| 45                           | 1                 | 9739-0831-22      | Mutter                 | Nut                |                     |
| 46                           | 1                 | 9675-0009-02      | Starlockbricka         | Starlock           |                     |
| 51                           | 1                 | 1134-3289-02      | Remstyrning            | Belt Guide         |                     |
| 52                           | 1                 | 9959-0820-16      | Skruv                  | Screw              |                     |
| 53                           | 1                 | 9699-0056-02      | Bricka                 | Washer             |                     |
| 54                           | 1                 | 9739-0831-22      | Mutter                 | Nut                |                     |





| Utgåva<br>Issue<br>43 - 2014 |                   | Transmission<br>Tranmssion |             |              |                     |
|------------------------------|-------------------|----------------------------|-------------|--------------|---------------------|
| Pos.<br>Fig.                 | Antal<br>Quantity | Art nr<br>Part No          | Benämning   | Description  | Anmärkning<br>Notes |
| 55                           | 2                 | 1134-3376-01               | Distansplåt | Spacer Plate | Silent              |



| Utgåva<br>Issue<br>43 - 2014 |                   | Kraftuttag<br>Power take-off |                       |                       |                     |
|------------------------------|-------------------|------------------------------|-----------------------|-----------------------|---------------------|
| Pos.<br>Fig.                 | Antal<br>Quantity | Art nr<br>Part No            | Benämning             | Description           | Anmärkning<br>Notes |
| 1                            | 1                 | 1134-5548-01                 | Distans               | Spacer                | Inkl. pos 3A-3B     |
| 2                            | 1                 | 1134-5109-01                 | Spännhjul sarm        | Tension Wheel Arm     |                     |
| 3                            | 1                 | 1137-0128-01                 | Spännhjul Kpl         | Tension Roller Assy   |                     |
| 3                            | 1                 | 9549-0019-00                 | Kullager              | Ball Bearing          |                     |
| 3                            | 1                 | 9651-0040-04                 | Spårring Sgh 40       | Circlip               |                     |
| 4                            | 1                 | 1134-1888-04                 | Distans               | Spacer                |                     |
| 5                            | 1                 | 1134-5111-01                 | Fjäder                | Spring                |                     |
| 6                            | 1                 | 9699-0056-02                 | Bricka                | Washer                |                     |
| 7                            | 1                 | 9739-0831-22                 | Mutter                | Nut                   | Inkl. pos 11-12     |
| 8                            | 1                 | 9997-0855-12                 | Skruv                 | Screw                 |                     |
| 10                           | 1                 | 1137-0004-01                 | Centrumremskiva Smst  | Centre Pulley Assy    |                     |
| 11                           | 1                 | 1134-0051-09                 | Distans               | Spacer                |                     |
| 12                           | 2                 | 9549-0019-00                 | Kullager              | Ball Bearing          |                     |
| 13                           | 1                 | 1134-5112-01                 | Fjäder                | Spring                |                     |
| 14                           | 2                 | 9945-0816-16                 | Skruv                 | Screw                 |                     |
| 15                           | 1                 | 1134-5110-01                 | Hake                  | Hook                  |                     |
| 16                           | 2                 | 9893-0616-16                 | Relä   Skruv          | Relay   Screw         |                     |
| 18                           | 1                 | 1134-2018-02                 | Spännarm Kpl          | Tension Arm           | 9585-0129-01        |
| 19                           | 1                 | 1134-9027-02                 | Spännrulle (Grå)      | Tension Roller (Grey) |                     |
| 20                           | 1                 | 1134-9071-01                 | Kilrem                | V-Belt                |                     |
| 21                           | 1                 | 9997-1030-16                 | Skruv                 | Screw                 |                     |
| 22                           | 1                 | 9799-1031-02                 | Mutter                | Nut                   |                     |
| 23                           | 1                 | 1134-4111-01                 | Bromsarm Kpl          | Brake Arm             |                     |
| 24                           | 1                 | 1134-4164-03                 | Bromsklots            | Brake Pad             |                     |
| 25                           | 1                 | 9897-0825-16                 | Skruv                 | Screw                 |                     |
| 26                           | 1                 | 9747-0831-02                 | Mutter   Låsmutter    | Nut                   |                     |
| 27                           | 1                 | 1134-4162-01                 | Bromsstång            | Brake Rod             |                     |
| 28                           | 1                 | 9675-0008-02                 | Starlockbricka        | Starlock              |                     |
| 29                           | 1                 | 1134-4170-01                 | Nippel                | Nippel                |                     |
| 30                           | 1                 | 9699-0025-02                 | Bricka                | Washer                |                     |
| 31                           | 1                 | 9747-0631-02                 | Mutter   Låsmutter    | Nut                   |                     |
| 32                           | 1                 | 4231-0013-00                 | Fjäder                | Spring                |                     |
| 33                           | 1                 | 1134-4231-01                 | Fjäder                | Brake Spring          |                     |
| 34                           | 1                 | 1134-1565-10                 | Distans               | Spacer                |                     |
| 35                           | 1                 | 9997-0860-12                 | Skruv                 | Screw                 |                     |
| 36                           | 1                 | 9699-0056-02                 | Bricka                | Washer                |                     |
| 37                           | 1                 | 9739-0831-22                 | Mutter                | Nut                   |                     |
| 38                           | 1                 | 1134-4163-01                 | Ansattsskruv          | Shoulder Bolt         |                     |
| 39                           | 1                 | 9731-1031-22                 | Mutter                | Nut                   |                     |
| 40                           | 1                 | 1134-3958-01                 | Remstyrning           | Belt Guide            |                     |
| 41                           | 2                 | 9893-0616-16                 | Relä   Skruv          | Relay   Screw         |                     |
| 42                           | 1                 | 1134-0041-03                 | Bussning              | Bushing               |                     |
| 43                           | 1                 | 9997-1070-12                 | Skruv                 | Screw                 |                     |
| 44                           | 1                 | 9739-1031-22                 | Mutter                | Nut                   |                     |
| 45                           | 1                 | 1134-3654-01                 | Fingerskydd 5-01 24   | Guard                 |                     |
| 46                           | 2                 | 9959-0612-16                 | Skruv                 | Screw                 |                     |
| 47                           | 2                 | 9739-0631-22                 | Mutter   Strålkastare | Nut   Working lamp    |                     |
| 48                           | 1                 | 9699-0090-02                 | Bricka                | Washer                |                     |
| 49                           | 2                 | 9699-0035-02                 | Bricka                | Washer                |                     |



| code         | pos. | q.ty | page  |              |    |   |       |              |    |   |       |  |
|--------------|------|------|-------|--------------|----|---|-------|--------------|----|---|-------|--|
| 9549-0019-00 | 12   | 2    | p. 27 | 9739-0831-22 | 45 | 1 | p. 23 | 9946-0525-16 | 21 | 2 | p. 5  |  |
| 9570-0001-00 | 23   | 2    | p. 17 | 9739-0831-22 | 54 | 1 | p. 23 | 9950-0570-12 | 29 | 1 | p. 7  |  |
| 9578-0023-02 | 24   | 1    | p. 21 | 9739-1031-22 | 6  | 1 | p. 17 | 9955-3725-16 | 1  | 4 | p. 21 |  |
| 9578-0023-02 | 40   | 1    | p. 21 | 9739-1031-22 | 19 | 2 | p. 3  | 9959-0612-16 | 29 | 2 | p. 19 |  |
| 9578-0023-04 | 43   | 1    | p. 21 | 9739-1031-22 | 22 | 2 | p. 13 | 9959-0612-16 | 46 | 2 | p. 27 |  |
| 9578-0035-01 | 35   | 2    | p. 23 | 9739-1031-22 | 30 | 2 | p. 13 | 9959-0620-16 | 28 | 2 | p. 17 |  |
| 9579-0003-00 | 16   | 15   | p. 19 | 9739-1031-22 | 44 | 1 | p. 27 | 9959-0820-16 | 6  | 1 | p. 21 |  |
| 9579-0003-00 | 30   | 1    | p. 21 | 9747-0531-02 | 25 | 2 | p. 17 | 9959-0820-16 | 7  | 2 | p. 3  |  |
| 9595-0262-00 | 4    | 1    | p. 7  | 9747-0531-02 | 27 | 2 | p. 19 | 9959-0820-16 | 10 | 2 | p. 17 |  |
| 9595-0262-00 | 4    | 2    | p. 3  | 9747-0631-02 | 7  | 1 | p. 23 | 9959-0820-16 | 14 | 2 | p. 3  |  |
| 9595-0276-01 | 9    | 1    | p. 9  | 9747-0631-02 | 11 | 1 | p. 9  | 9959-0820-16 | 16 | 2 | p. 17 |  |
| 9599-0054-02 | 14   | 2    | p. 13 | 9747-0631-02 | 13 | 1 | p. 23 | 9959-0820-16 | 21 | 2 | p. 7  |  |
| 9600-0251-01 | 16   | 1    | p. 21 | 9747-0631-02 | 28 | 1 | p. 23 | 9959-0820-16 | 26 | 2 | p. 21 |  |
| 9632-0516-00 | 4    | 1    | p. 5  | 9747-0631-02 | 28 | 2 | p. 5  | 9959-0820-16 | 31 | 2 | p. 17 |  |
| 9650-0039-04 | 8    | 1    | p. 9  | 9747-0631-02 | 29 | 2 | p. 21 | 9959-0820-16 | 44 | 1 | p. 23 |  |
| 9651-0040-04 | 3    | 1    | p. 27 | 9747-0631-02 | 31 | 1 | p. 27 | 9959-0820-16 | 52 | 1 | p. 23 |  |
| 9665-0002-00 | 34   | 2    | p. 7  | 9747-0831-02 | 5  | 2 | p. 11 | 9959-0825-16 | 24 | 1 | p. 23 |  |
| 9675-0008-02 | 28   | 1    | p. 27 | 9747-0831-02 | 12 | 1 | p. 17 | 9959-1025-16 | 14 | 2 | p. 7  |  |
| 9675-0009-02 | 46   | 1    | p. 23 | 9747-0831-02 | 14 | 1 | p. 9  | 9960-0860-12 | 21 | 4 | p. 23 |  |
| 9675-0012-02 | 7    | 1    | p. 11 | 9747-0831-02 | 17 | 1 | p. 23 | 9987-5332-16 | 18 | 1 | p. 21 |  |
| 9694-0001-00 | 25   | 1    | p. 15 | 9747-0831-02 | 17 | 2 | p. 13 | 9997-0520-16 | 26 | 2 | p. 19 |  |
| 9699-0025-02 | 30   | 1    | p. 27 | 9747-0831-02 | 21 | 1 | p. 11 | 9997-0625-16 | 6  | 1 | p. 23 |  |
| 9699-0030-02 | 5    | 1    | p. 17 | 9747-0831-02 | 22 | 4 | p. 23 | 9997-0625-16 | 18 | 2 | p. 9  |  |
| 9699-0035-02 | 13   | 2    | p. 7  | 9747-0831-02 | 26 | 1 | p. 15 | 9997-0640-12 | 10 | 1 | p. 9  |  |
| 9699-0035-02 | 13   | 2    | p. 13 | 9747-0831-02 | 26 | 1 | p. 27 | 9997-0820-16 | 12 | 2 | p. 3  |  |
| 9699-0035-02 | 20   | 2    | p. 13 | 9747-0831-02 | 27 | 2 | p. 23 | 9997-0835-16 | 18 | 1 | p. 17 |  |
| 9699-0035-02 | 29   | 2    | p. 13 | 9747-0831-02 | 29 | 6 | p. 11 | 9997-0840-16 | 16 | 1 | p. 11 |  |
| 9699-0035-02 | 49   | 2    | p. 27 | 9747-0831-02 | 35 | 2 | p. 7  | 9997-0845-12 | 25 | 1 | p. 23 |  |
| 9699-0056-02 | 6    | 1    | p. 27 | 9747-1231-02 | 15 | 1 | p. 11 | 9997-0855-12 | 8  | 1 | p. 27 |  |
| 9699-0056-02 | 9    | 4    | p. 3  | 9794-5131-02 | 8  | 2 | p. 19 | 9997-0860-12 | 35 | 1 | p. 27 |  |
| 9699-0056-02 | 13   | 4    | p. 5  | 9795-3531-02 | 15 | 1 | p. 19 | 9997-0870-16 | 15 | 1 | p. 23 |  |
| 9699-0056-02 | 16   | 1    | p. 23 | 9799-1031-02 | 4  | 1 | p. 23 | 9997-1030-16 | 21 | 1 | p. 27 |  |
| 9699-0056-02 | 36   | 1    | p. 27 | 9799-1031-02 | 22 | 1 | p. 27 | 9997-1040-16 | 28 | 2 | p. 13 |  |
| 9699-0056-02 | 53   | 1    | p. 23 | 9838-9516-12 | 38 | 3 | p. 17 | 9997-1060-12 | 21 | 2 | p. 13 |  |
| 9699-0060-02 | 5    | 2    | p. 19 | 9838-9530-12 | 2  | 7 | p. 5  | 9997-1070-12 | 4  | 1 | p. 17 |  |
| 9699-0060-02 | 19   | 1    | p. 23 | 9852-8013-16 | 4  | 3 | p. 19 | 9997-1070-12 | 43 | 1 | p. 27 |  |
| 9699-0060-02 | 27   | 2    | p. 5  | 9852-8013-16 | 7  | 2 | p. 19 |              |    |   |       |  |
| 9699-0090-02 | 4    | 1    | p. 15 | 9852-8013-16 | 33 | 2 | p. 23 |              |    |   |       |  |
| 9699-0090-02 | 16   | 2    | p. 13 | 9893-0616-16 | 9  | 4 | p. 5  |              |    |   |       |  |
| 9699-0090-02 | 20   | 1    | p. 11 | 9893-0616-16 | 10 | 4 | p. 11 |              |    |   |       |  |
| 9699-0090-02 | 26   | 1    | p. 23 | 9893-0616-16 | 16 | 2 | p. 5  |              |    |   |       |  |
| 9699-0090-02 | 48   | 1    | p. 27 | 9893-0616-16 | 16 | 2 | p. 27 |              |    |   |       |  |
| 9699-0099-02 | 34   | 2    | p. 23 | 9893-0616-16 | 18 | 2 | p. 7  |              |    |   |       |  |
| 9699-0103-02 | 5    | 1    | p. 3  | 9893-0616-16 | 19 | 2 | p. 5  |              |    |   |       |  |
| 9699-0114-02 | 5    | 1    | p. 3  | 9893-0616-16 | 23 | 3 | p. 5  |              |    |   |       |  |
| 9699-0120-02 | 5    | 1    | p. 5  | 9893-0616-16 | 26 | 2 | p. 5  |              |    |   |       |  |
| 9731-1031-22 | 24   | 2    | p. 13 | 9893-0616-16 | 41 | 2 | p. 13 |              |    |   |       |  |
| 9731-1031-22 | 39   | 1    | p. 27 | 9893-0616-16 | 41 | 2 | p. 27 |              |    |   |       |  |
| 9739-0531-22 | 24   | 2    | p. 17 | 9897-0616-16 | 29 | 2 | p. 5  |              |    |   |       |  |
| 9739-0531-22 | 30   | 2    | p. 7  | 9897-0820-16 | 13 | 1 | p. 9  |              |    |   |       |  |
| 9739-0631-22 | 7    | 1    | p. 23 | 9897-0820-16 | 28 | 4 | p. 11 |              |    |   |       |  |
| 9739-0631-22 | 19   | 2    | p. 9  | 9897-0820-16 | 32 | 4 | p. 13 |              |    |   |       |  |
| 9739-0631-22 | 29   | 2    | p. 17 | 9897-0825-16 | 25 | 1 | p. 27 |              |    |   |       |  |
| 9739-0631-22 | 30   | 2    | p. 19 | 9897-0880-12 | 26 | 2 | p. 11 |              |    |   |       |  |
| 9739-0631-22 | 47   | 2    | p. 27 | 9897-1060-12 | 23 | 2 | p. 13 |              |    |   |       |  |
| 9739-0831-22 | 7    | 1    | p. 21 | 9898-1035-16 | 18 | 2 | p. 3  |              |    |   |       |  |
| 9739-0831-22 | 7    | 1    | p. 27 | 9924-1035-16 | 3  | 1 | p. 23 |              |    |   |       |  |
| 9739-0831-22 | 11   | 1    | p. 17 | 9924-1235-19 | 14 | 1 | p. 11 |              |    |   |       |  |
| 9739-0831-22 | 15   | 2    | p. 3  | 9943-0516-16 | 29 | 1 | p. 15 |              |    |   |       |  |
| 9739-0831-22 | 17   | 2    | p. 17 | 9943-0516-16 | 36 | 2 | p. 7  |              |    |   |       |  |
| 9739-0831-22 | 19   | 1    | p. 17 | 9945-0816-16 | 9  | 4 | p. 21 |              |    |   |       |  |
| 9739-0831-22 | 22   | 2    | p. 7  | 9945-0816-16 | 12 | 6 | p. 5  |              |    |   |       |  |
| 9739-0831-22 | 27   | 2    | p. 21 | 9945-0816-16 | 14 | 2 | p. 27 |              |    |   |       |  |
| 9739-0831-22 | 32   | 2    | p. 17 | 9945-0816-16 | 20 | 2 | p. 7  |              |    |   |       |  |
| 9739-0831-22 | 33   | 4    | p. 13 | 9945-0816-16 | 33 | 2 | p. 19 |              |    |   |       |  |
| 9739-0831-22 | 37   | 1    | p. 27 | 9945-0816-16 | 39 | 4 | p. 7  |              |    |   |       |  |
|              |      |      |       | 9946-0525-16 | 8  | 4 | p. 15 |              |    |   |       |  |