



Reservdelskatalog Parts Catalogue

Park 540 DPX

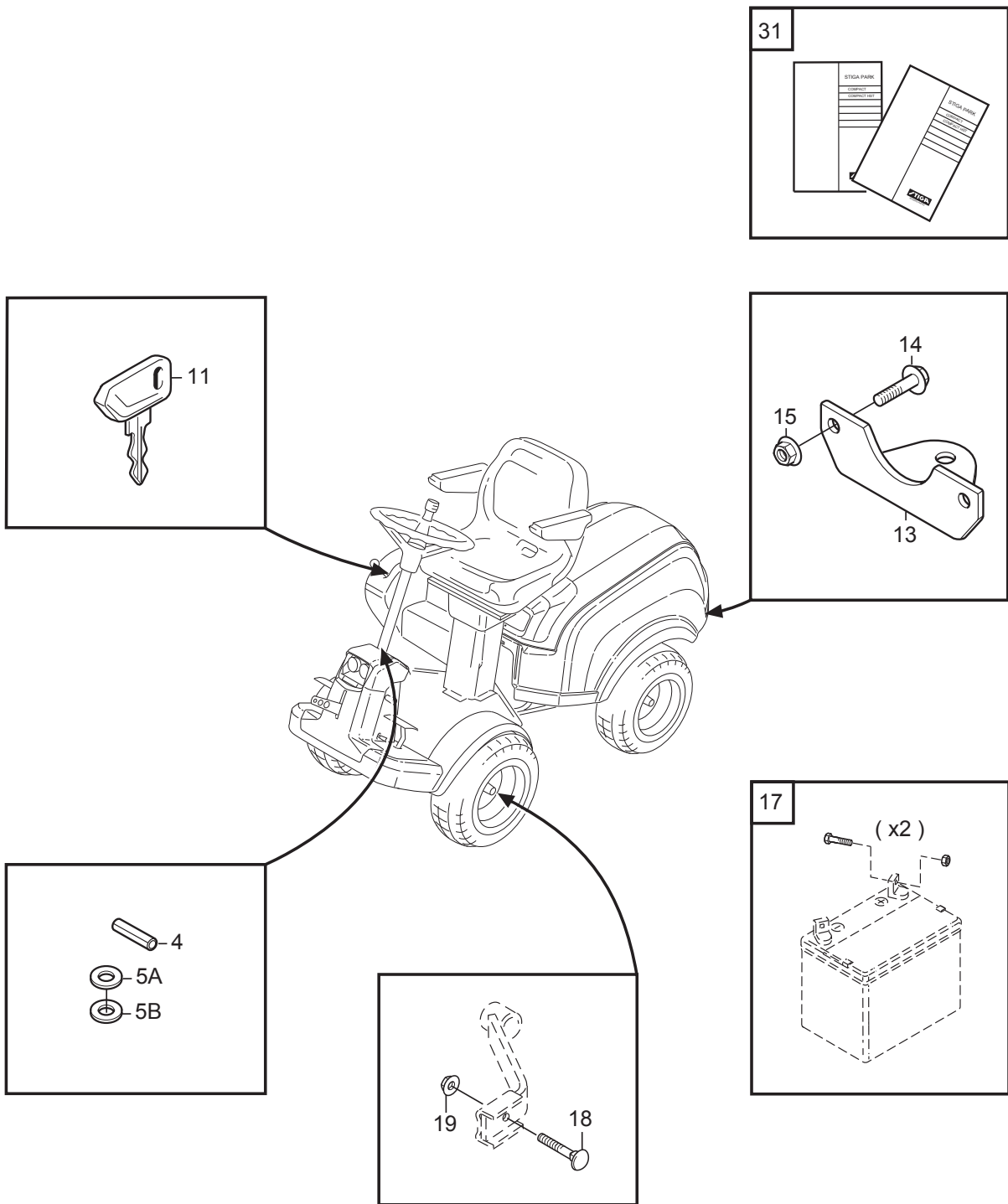
13-6319-31 - Season 2014

- Use GLOBAL GARDEN PRODUCT Genuine Spare Parts specified in the parts list for repair and/or replacement.
 - The contents described in the parts list may change due to improvement.
 - The drawings of the spare parts are only indicative and might not represent the part in question exactly.
 - The indications "right" - "left" - "front" - "rear" refer to the position of the operator when using the machine.
- When placing orders of parts for repair and/or replacement, make sure that the illustrated parts list is the one applying to the machine's year of manufacture, as shown on the identification plate attached to the machine.

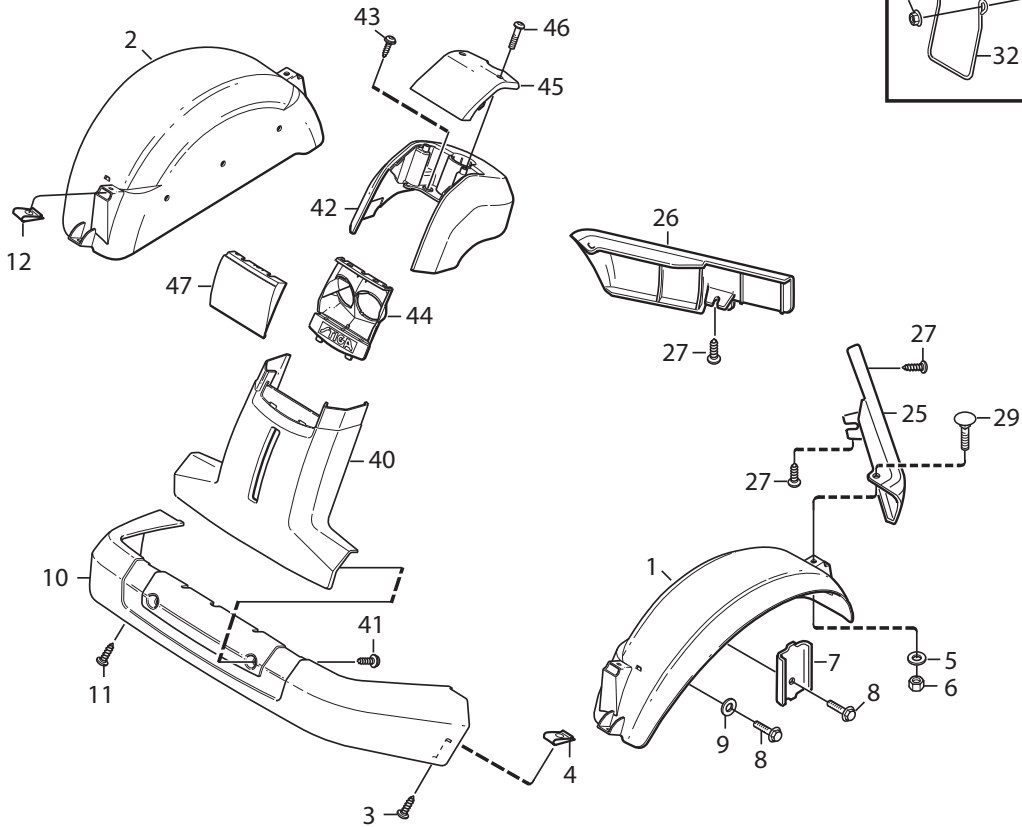
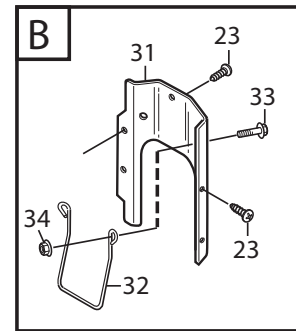
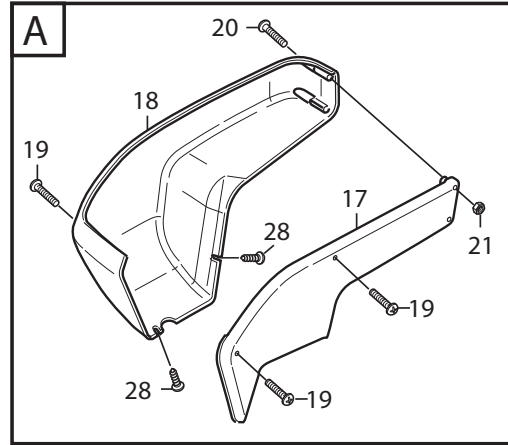
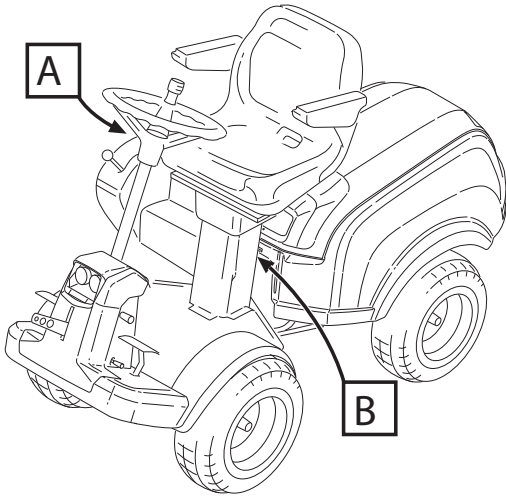
© Copyright 2014 Global Garden Products

All rights reserved. No part of this material may be reproduced or transmitted, in any form or by any means, electronic or mechanical, including photocopying, recording or by any information storage and retrieval system, without permission in writing from GLOBAL GARDEN PRODUCTS.

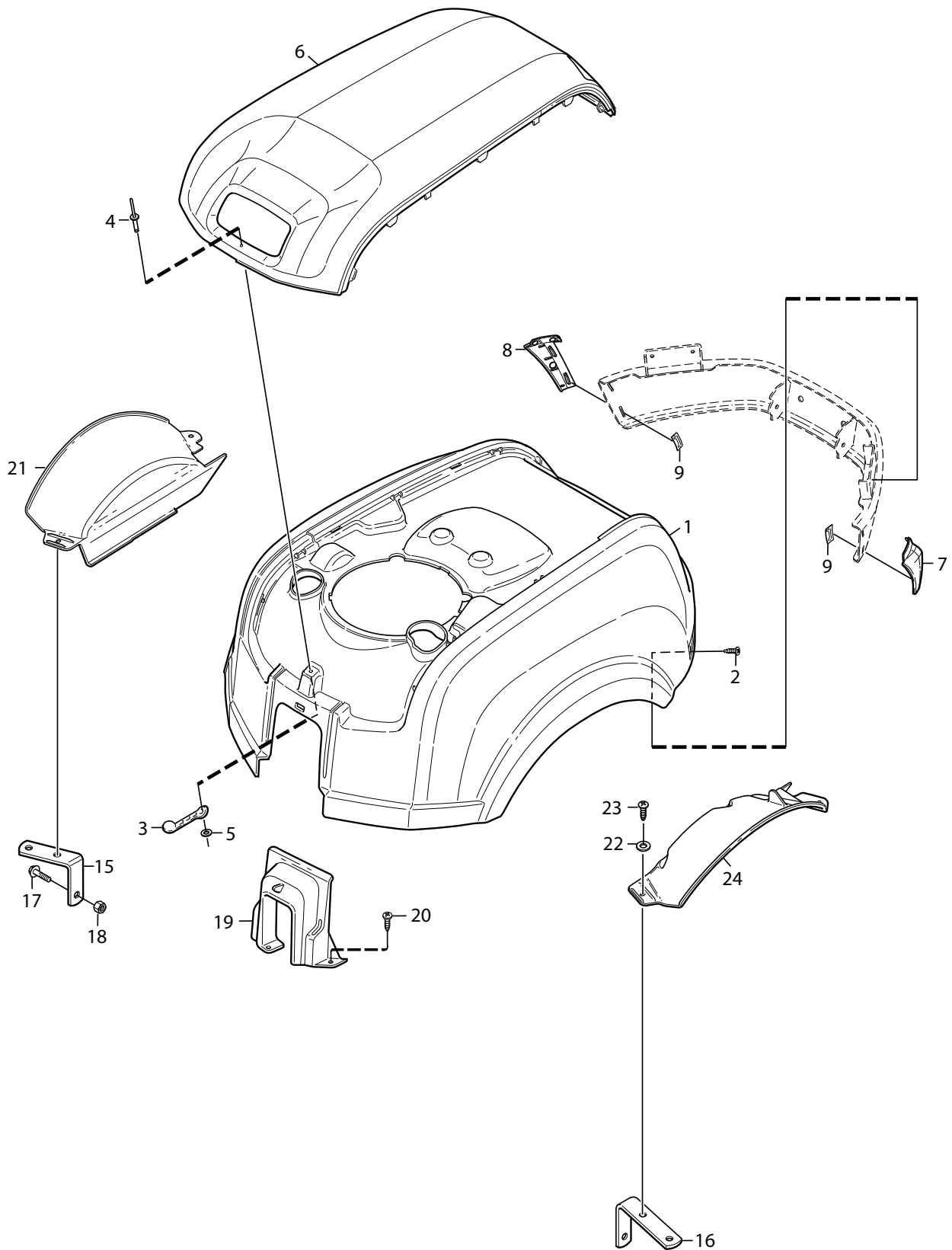
www.stiga.com



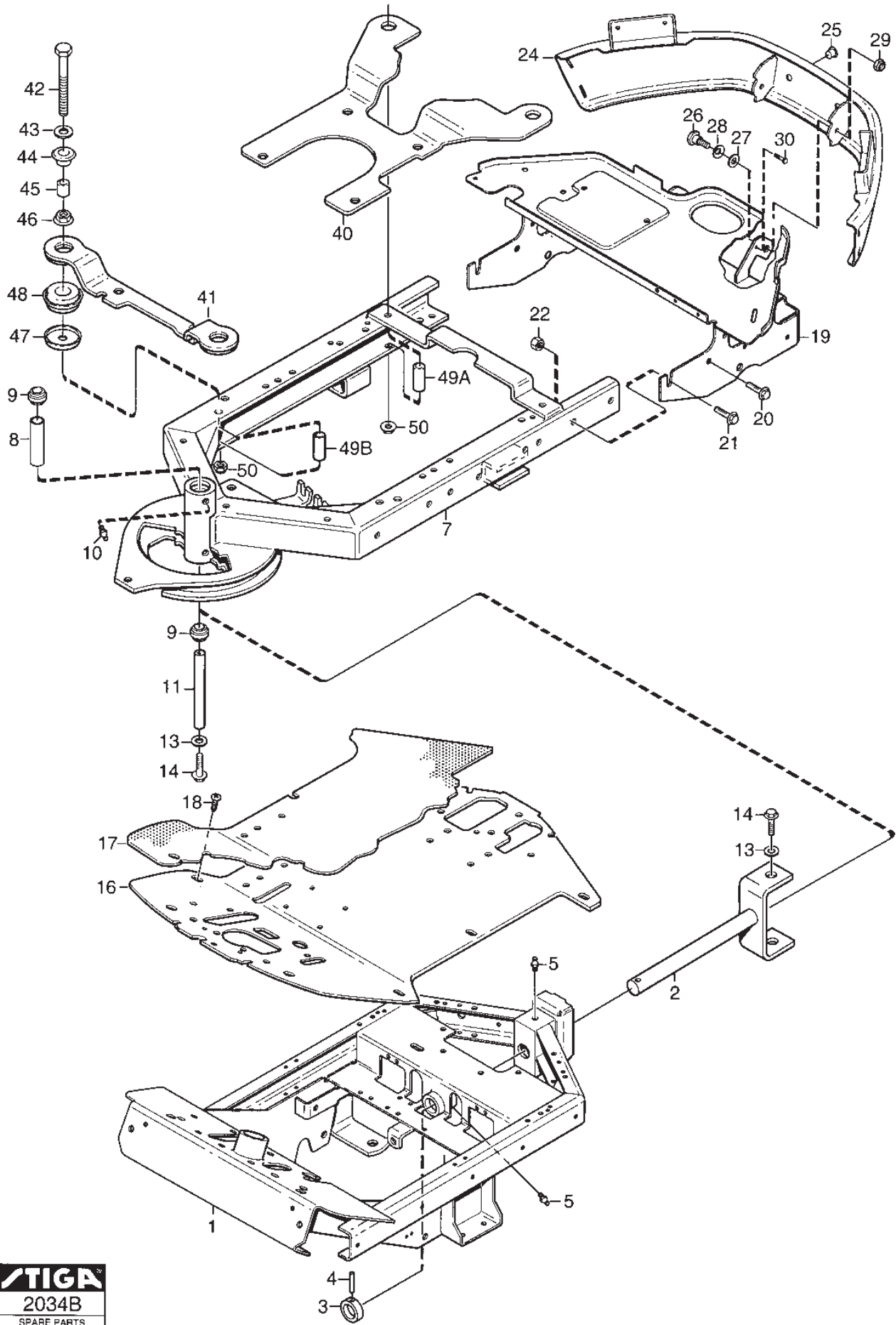
Utgåva Issue 43 - 2014		Monteringsdetaljer Assembly parts			
Pos. Fig.	Antal Quantity	Art nr Part No	Benämning	Description	Anmärkning Notes
4	2	9595-0262-00	Spännstift	Locating Pin	
5	1	9699-0103-02	Bricka	Washer	0.5 mm
5	1	9699-0114-02	Bricka	Washer	1.0 mm
11	2	118210027/0	Kil	Key	
13	1	1134-5512-01	Dragplåt5-01	Towing Plate	
14	2	9959-0820-16	Skruv	Screw	
15	2	9739-0831-22	Mutter	Nut	
17	1	1134-6113-02	Skruv	Screw	
18	2	9898-1035-16	Skruv	Screw	
19	2	9739-1031-22	Mutter	Nut	
31					as PDF



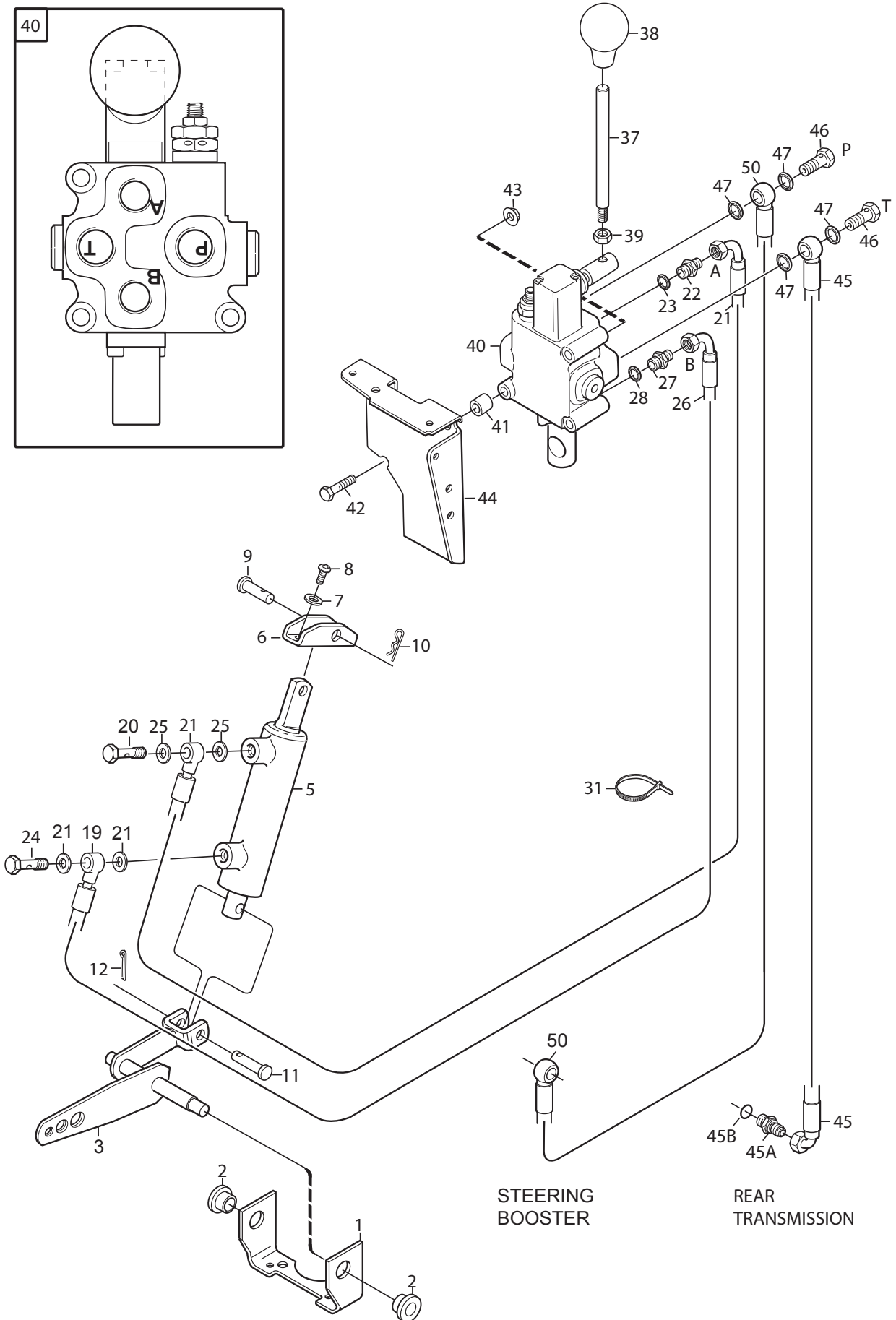
Utgåva Issue 43 - 2014		Kaross Body work			
Pos. Fig.	Antal Quantity	Art nr Part No	Benämning	Description	Anmärkning Notes
1	1	1137-0048-01	Framskärm-Vä	Mud Guard, Front-Lh	
2	1	1137-0048-02	Framskärm-Hö	Mud Guard, Front-Rh	
3	2	9893-0616-16	Relä Skruv	Relay Screw	
4	2	1134-4176-01	Clips	Clips	
5	2	9699-0060-02	Bricka	Washer	
6	2	9747-0631-02	Mutter Låsmutter	Nut	
7	2	1137-0088-01	Stödplåt	Support Plate	
8	6	9945-0816-16	Skruv	Screw	
9	4	9699-0056-02	Bricka	Washer	
10	1	1137-0049-01	Stötfångare-Fram	Front Bumper	
11	6	9893-0616-16	Relä Skruv	Relay Screw	
12	2	1134-4176-01	Clips	Clips	
17	1	1134-4360-01	Kåpa-Inre (1-00)	Cover-Inner	
18	1	1134-3979-01	Kåpa Yttre1-00	Cover-Outer	
19	3	9946-0525-16	Skruv	Screw	
20	2	9950-0570-12	Skruv	Screw	
21	2	9747-0531-02	Mutter	Nut	
23	4	9893-0616-16	Relä Skruv	Relay Screw	
25	1	1134-3970-05	Kantlist-Vä (Grå) 7-14	Moulding-Left (Grey)	
26	1	1134-3970-02	Kantlist-Hö (Grå) 7-14	Moulding Right-Grey	
27	4	9893-0616-16	Relä Skruv	Relay Screw	
28	2	9840-8013-16	Skruv	Screw	
29	2	9897-0616-16	Skruv	Screw	
31	1	1134-6461-01	Bakstycke 1-00	Rear Plate	
32	1	1134-6460-01	Skyddsbygel	Protective Loop	
33	2	9959-0820-16	Skruv	Screw	
34	2	9739-0831-22	Mutter	Nut	
40	1	1137-0050-01	Frontkåpa-Nedre	Front Panel-Lower	
41	2	9838-9516-12	Skruv	Screw	
42	1	1137-0051-01	Frontkåpa-Övre	Front Panel-Upper	
43	2	9946-0525-16	Skruv	Screw	
44	1	1137-0052-01	Lamphållare	Lamp Holder	
45	1	1137-0053-01	Toppkåpa	Top Panel	
46	2	9838-9516-12	Skruv	Screw	
47	1	1137-0054-01	Lampglas	Lamp Glass	



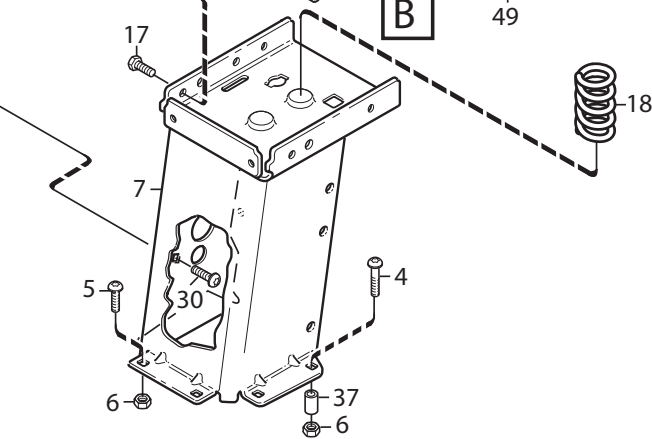
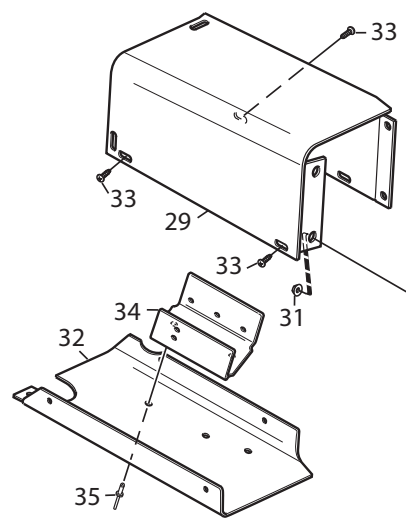
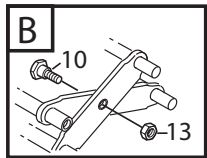
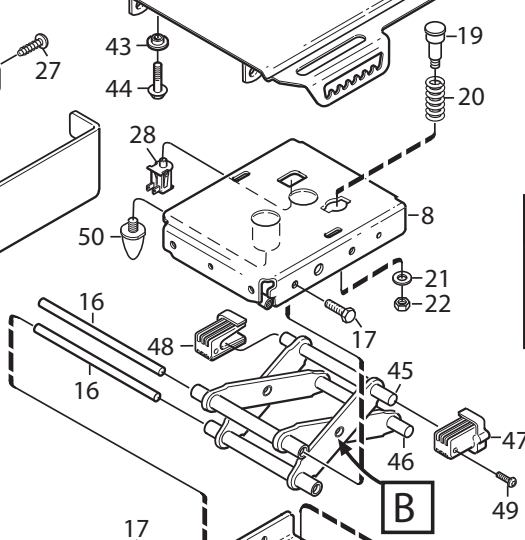
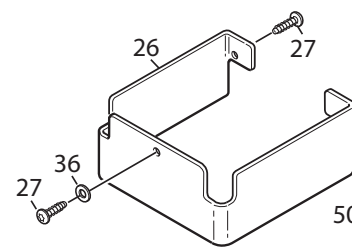
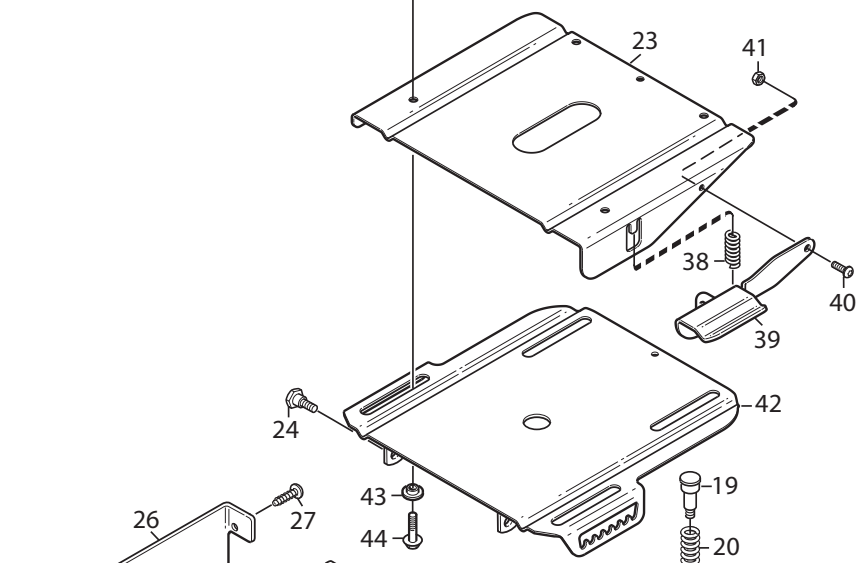
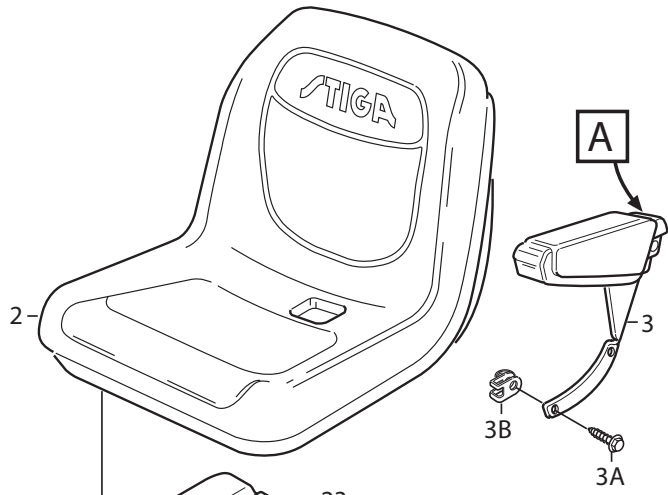
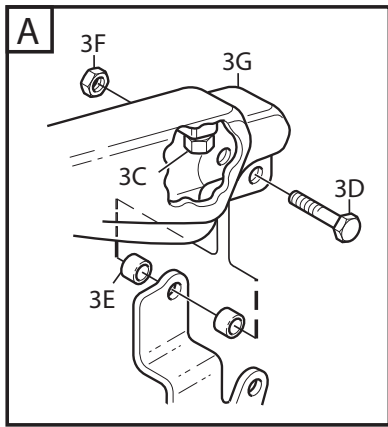
Utgåva Issue 43 - 2014		Kaross Body work			
Pos. Fig.	Antal Quantity	Art nr Part No	Benämning	Description	Anmärkning Notes
1	1	1134-6025-01	Motorhuv(1-00)	Engine Hood	
2	4	9893-0616-16	Relä Skruv	Relay Screw	
3	1	1134-9028-01	Gummistropp (3 St)	Rubber Strap (3 Pcs)	Sats 3 st/kit of 3
4	1	9632-0513-00	Popnit 3,2X20	Pop Rivet	
5	1	9699-0120-02	Bricka	Washer	
6	1	1134-6026-01	Motorlucka (7-14)	Engine Cover	
7	1	1134-6027-01	Ändavslut Stötfångare-Vä	Bumper End-Lh	
8	1	1134-6027-02	Ändavslut Stötfångare-Hö	Bumper End-Rh	
9	4	1134-6310-01	Clips	Clip	
15	1	1134-4012-03	Stöd-Hö	Support, Right	
16	1	1134-4012-04	Stöd-Vä	Support, Left	
17	1	9959-0820-16	Skruv	Screw	
18	1	9739-0831-22	Mutter	Nut	
19	1	1134-6241-01	Huvstöd (Svart) 5-01	Hood Support	
20	3	9893-0616-16	Relä Skruv	Relay Screw	
21	1	1134-4800-01	Innerskärm-Hö (Park)	Inner Mud Guard-Rh (Park)	
22	4	9699-0060-02	Bricka	Washer	
23	4	9893-0616-16	Relä Skruv	Relay Screw	
24	1	1134-4801-01	Innerskärm-Vä (Park)	Inner Mud Guard-Lh (Park)	
30	3	1137-0020-01	Distans	Spacer	
31	3	9997-0535-16	Skruv	Screw	
32	3	9739-0531-22	Mutter	Nut	
33	3	9699-0099-02	Bricka	Washer	
34	3	9747-0531-02	Mutter	Nut	



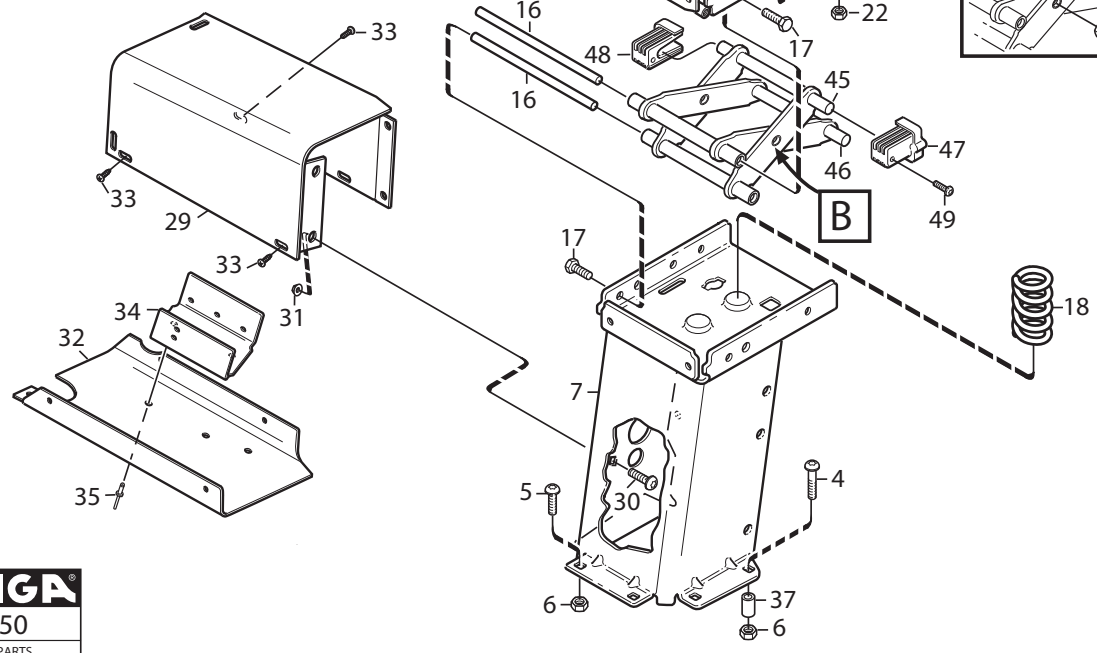
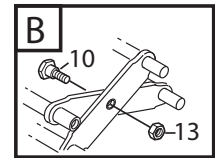
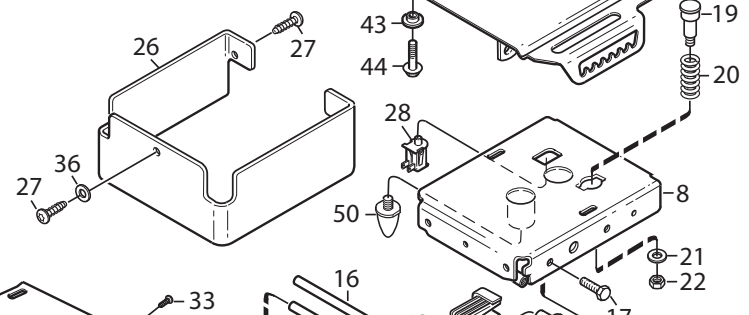
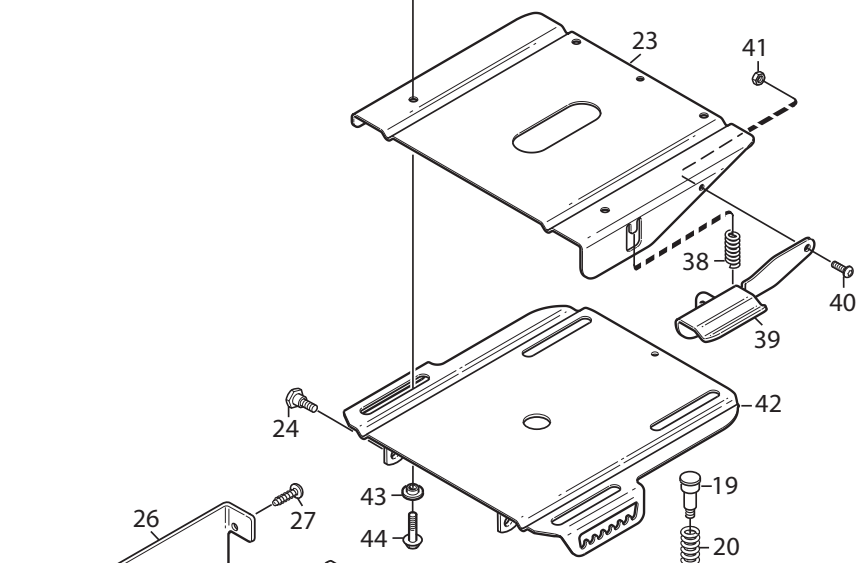
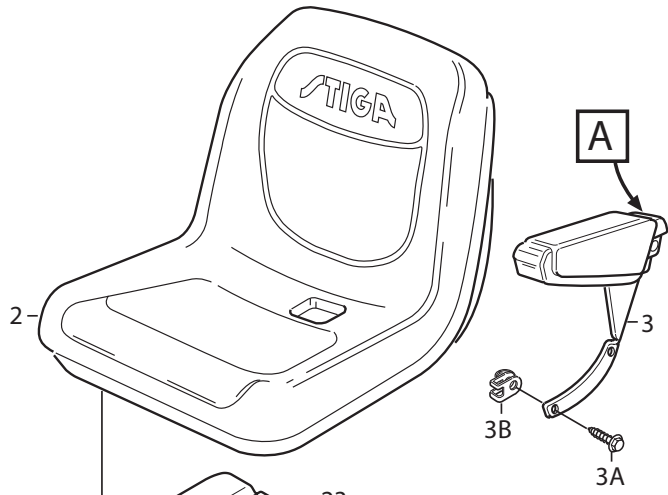
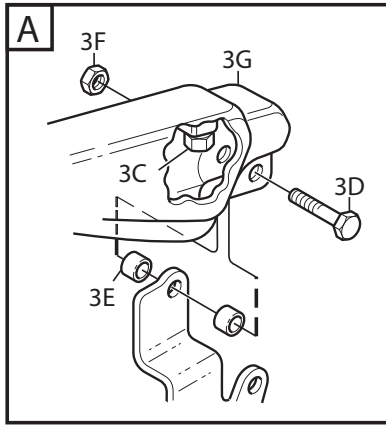
Utgåva Issue 43 - 2014		Ram		Frame	
Pos. Fig.	Antal Quantity	Art nr Part No	Benämning	Description	Anmärkning Notes
1	1	1134-5656-02	Ram-Främre 5-01	Frame-Front	
2	1	1134-3963-02	Midjegaffel Service 5-01 H10	Fork	
3	1	1134-0031-00	Ledaxelstopp	Pivot Shaft Stop	
4	1	9595-0262-00	Spännstift	Locating Pin	
5	2	9501-0500-00	Smörjkopp Kort Rak	Grease Dispenser	
7	1	1134-6046-01	Ram-Bakre (Park Diesel) 5-01	Frame-Rear (Park Diesel)	
8	1	1134-5705-01	Distans	Spacer	
9	2	9547-0001-00	Ledlager Ge17Es	Bearing	
10	2	9501-0500-00	Smörjkopp Kort Rak	Grease Dispenser	
11	1	1134-5988-01	Centrumaxel	Centre Shaft	
13	2	9699-0035-02	Bricka	Washer	
14	2	9959-1025-16	Skruv	Screw	
16	1	1134-6586-01	Durk (5-01)	Floor Plate	
17	1	1134-6372-04	Durkmatta	Floor Mat Hst	
18	2	9893-0616-16	Relä Skruv	Relay Screw	
19	1	1134-5944-01	Tankhylla Kpl. 5-01	Tank Shelf Assy	
20	2	9945-0816-16	Skruv	Screw	
21	2	9959-0820-16	Skruv	Screw	
22	2	9739-0831-22	Mutter	Nut	
24	1	1134-5676-01	Stötfångare	Rear Bumper	
25	2	1134-4100-01	Täckpropp	Plug	
26	2	1134-0240-00	Skruv	Screw	
27	2	1134-4242-01	Distansbricka	Washer	
28	2	9665-0002-00	Bricka	Washer	
29	2	9747-0831-02	Mutter Låsmutter	Nut	
30	2	9943-0516-16	Skruv	Screw	
40	1	1134-6037-01	Motorstag Kpl 5-01	Engine Bracket	
41	1	1134-4918-01	Engine Fäste	Engine Support	
42	4	9997-1011-06	Skruv	Screw	
43	4	9699-0030-02	Bricka	Washer	
44	4	1111-2453-01	Bricka	Isolation Washer	
45	4	1134-4919-01	Distans	Spacer	
46	4	9739-1031-22	Mutter	Nut	
47	4	1134-4915-01	Stödkopp	Support Cup	
48	4	1134-4920-01	Dämpelement	Vibration Absorber	
49	2	1134-0041-03	Bussning	Bushing	L = 55 mm
49	2	1134-6887-01	Hylsa	Collar	L = 51,2 mm
50	4	9731-1031-22	Mutter	Nut	



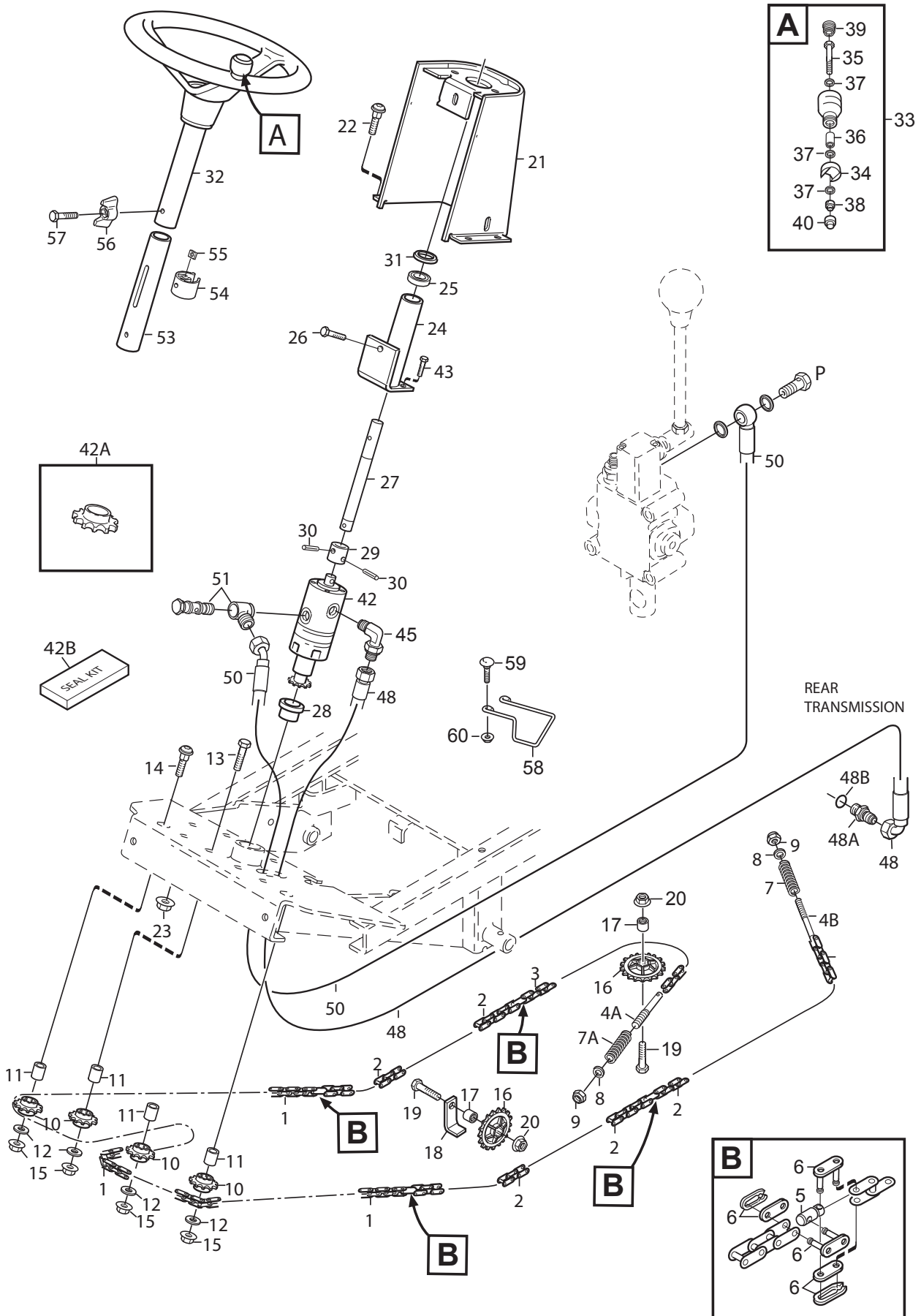
Utgåva Issue 43 - 2014		Hydraullyft		Hydraulic lift	
Pos. Fig.	Antal Quantity	Art nr Part No	Benämning	Description	Anmärkning Notes
1	1	1134-4117-01	Fäste	Bracket	
2	2	1134-2684-01	Lager	Bearing	
3	1	1137-0039-01	Lyftarm Kpl (Grå) 7-14	Lift Arm Assy	
5	1	1137-0071-01	Hydraulcylinder	Hydraulic Cylinder	
6	1	1134-4815-01	Cylinderfäste	Cylinder Bracket	
8	2	9893-0616-16	Relä Skruv	Relay Screw	
9	1	1134-4816-01	Stift	Pin	Ø 10 x 29
10	1	9598-0002-02	Fjaderpinne	Spring Pin	
11	1	1134-4817-01	Stift	Pin	Ø 10 x 34
12	1	9599-0054-02	SaxSprint	Split Pin	
21	2	1137-0193-01	Hydraulslang 90-Banjo 3/16"	Hydraulic Hose	
22	1	1134-4824-01	Adapter	Adapter	1/4" x 1/8"
23	1	1134-4948-01	Bricka	Washer	1/4"
24	1	1134-4826-01	Banjoskruv (R1/8")	Banjo Bolt	
25	2	1134-4947-01	Bricka	Washer	
27	1	1134-4824-01	Adapter	Adapter	1/4" x 1/8"
28	1	1134-4948-01	Bricka	Washer	1/4"
31	4	9579-0003-00	Buntband	Cable Holder	
37	1	1134-6345-01	Spak	Lever	
38	1	1134-2551-01	Knopp	Knob	
39	1	9739-0831-22	Mutter	Nut	
40	1	1134-7743-01	Handspaksventil	Hand Operated Valve	Inkl. pos 37
41	2	1134-6364-01	Distans	Spacer	
42	2	9997-0660-12	Skruv	Screw	
43	2	9739-0631-22	Mutter Strålkastare	Nut Working lamp	
44	1	1134-6328-01	Frontfäste 5-01	Panel Bracket-Front	
45	1	1134-4282-01	Hydraulnippel	Hydraulic Nipple	9/16" x 9/16"
45	1	9404-0028-01	O-Ring 11,89 X 1,98	O-ring	
45	1	1137-0214-04	Rör	Tube	
46	2	1134-6323-01	Banjoskruv 3/8"	Banjo Bolt 3/8	3/8"
47	4	1134-4948-02	Bricka	Washer	3/8"
50	1	1137-0216-01	Hydraulslang	Hydraulic Hose	



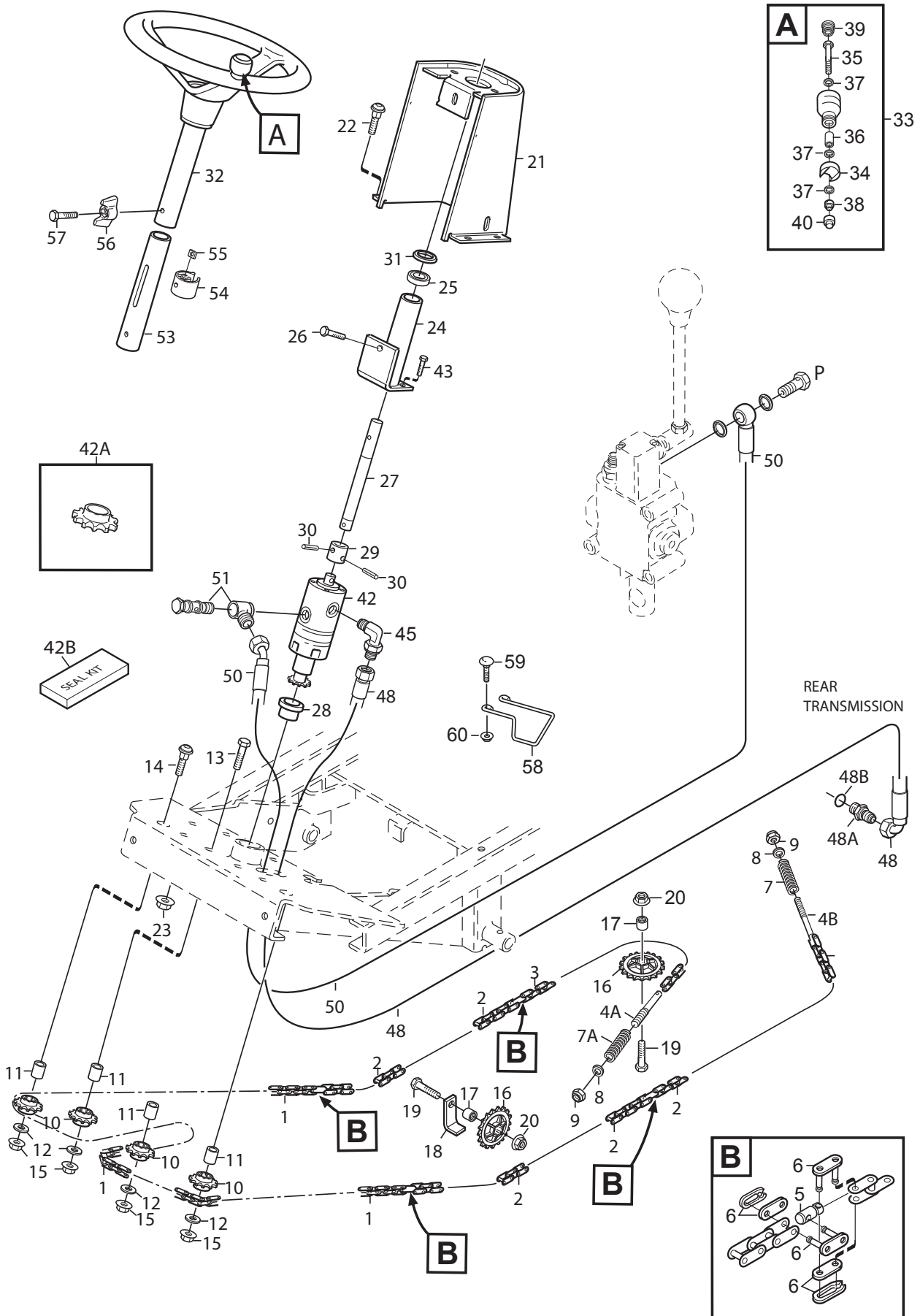
Utgåva Issue 43 - 2014		Sits		Seat	
Pos. Fig.	Antal Quantity	Art nr Part No	Benämning	Description	Anmärkning Notes
2	1	1134-7830-01	Sits (Milsco 180)	Seat	
3	1	1134-7831-01	Armstöd Kpl Arm-Rest Assy	Arm Rests Arm-Rest Assy	
3	6	1139-0010-01	Skruv	Screw	
3	6	1139-0011-01	Mutter	Nut	
3	2	9988-3713-16	Skruv	Screw	
3	2	9997-1045-12	Skruv	Screw	
3	4	1134-5094-01	Distans	Spacer	
3	2	9747-1031-02	Mutter Låsmutter	Nut	
3	2	1134-5879-01	Armstödsdyna	Arm Rest Pad	
4	2	9897-0880-12	Skruv	Screw	L = 80 mm
5	4	9897-0820-16	Skruv	Screw	L = 20 mm
6	6	9747-0831-02	Mutter Låsmutter	Nut	
7	1	1137-0057-01	Sitskonsol Kpl	Seat Bracket Assy	
8	1	1137-0058-01	Övre Platta Kpl	Upper Plate Assy	
10	2	1134-0240-00	Skruv	Screw	
13	2	9747-0831-02	Mutter Låsmutter	Nut	
16	2	1137-0060-01	Axel	Shaft	
17	4	9958-0820-16	Skruv	Screw	
18	2	1134-4160-01	Fjäder	Spring	
19	1	1134-4153-01	TryckSprint	Push Pin	
20	1	1134-4159-01	Fjäder	Spring	
21	1	9699-0056-02	Bricka	Washer	
22	1	9747-0831-02	Mutter Låsmutter	Nut	
23	1	1134-6090-01	Glidplatta-Övre 5-01	Slide Plate-Upper	
24	2	1134-0240-00	Skruv	Screw	
26	1	1137-0038-01	Lock	Cover	
27	3	9838-9516-12	Skruv	Screw	
28	1	1134-3156-01	Brytare	Switch	
29	1	1134-3990-01	Armsvep Kpl 041-00	Attachment-Side Panel	
30	2	9897-0820-16	Skruv	Screw	
31	2	9739-0831-22	Mutter	Nut	
32	1	1134-4130-01	Undre Lock (1-00)	Cover Lower	
33	4	9840-8013-16	Skruv	Screw	
34	1	1134-4135-01	Relähållare 24	Relay Holder	
35	2	9632-0522-00	Popnit 4X9,5	Pop Rivet	
36	1	9699-0087-02	Bricka	Washer	
37	2	1134-1565-08	Distans	Spacer	
38	1	1134-3262-01	Fjäder	Spring	
39	1	1134-6073-01	Handtag Kpl 5-01	Handle Assy	
40	1	9893-0616-16	Relä Skruv	Relay Screw	
41	1	9747-0631-02	Mutter Låsmutter	Nut	
42	1	1137-0055-01	Glidplatta-Undre Kpl	Slide Plate-Lower Assy	
43	4	1134-6078-01	Bricka	Flange Washer	
44	4	9959-0820-16	Skruv	Screw	
45	1	1137-0031-01	Länk Smst A	Link Assy A	
46	1	1137-0032-01	Länk Smst B	Link Assy B	
47	2	1137-0033-01	Kloss	Block	
48	2	1137-0033-02	Kloss	Block	
49	4	9838-9516-12	Skruv	Screw	



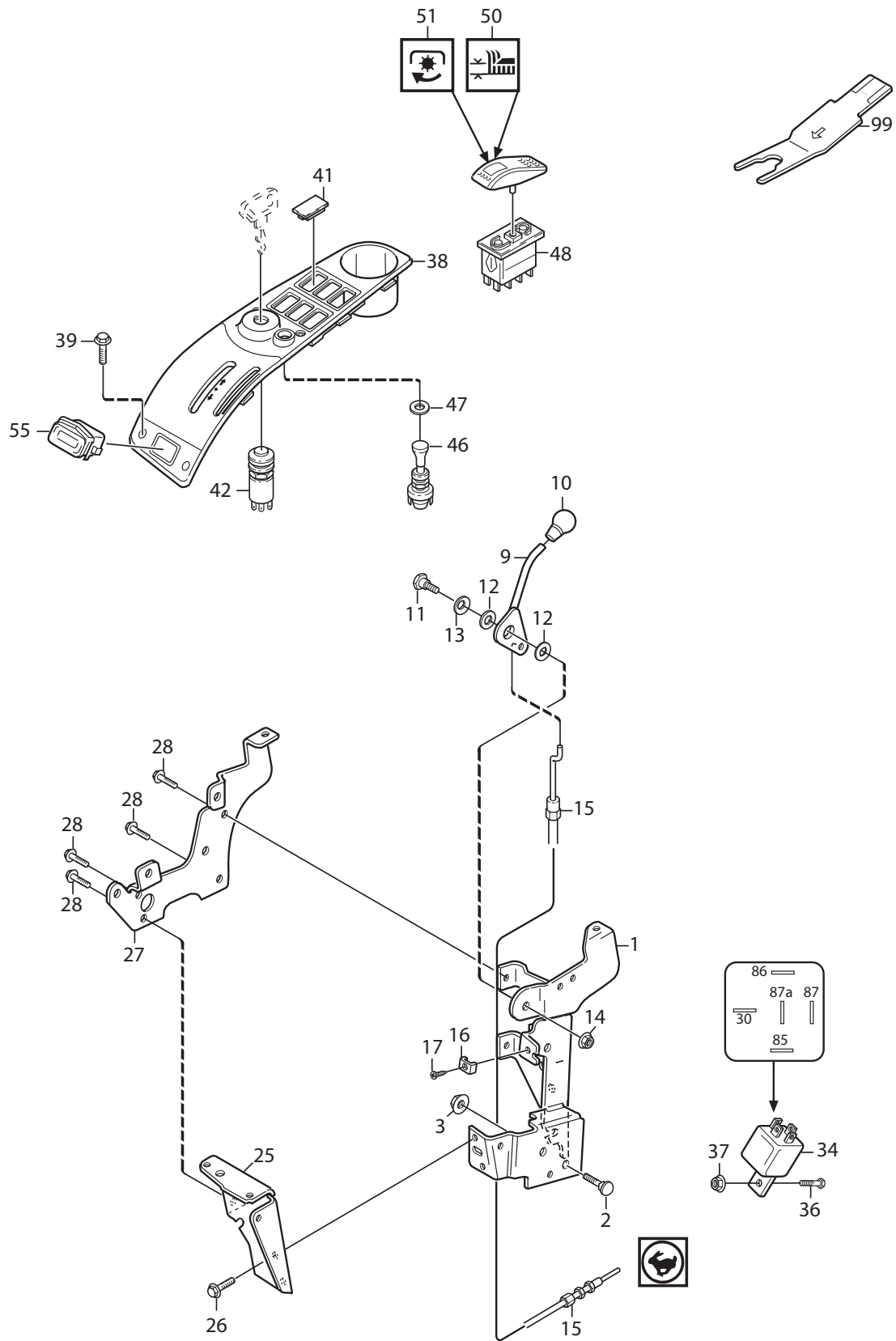
Utgåva Issue 43 - 2014		Sits Seat			
Pos. Fig.	Antal Quantity	Art nr Part No	Benämning	Description	Anmärkning Notes
50	1	1137-0064-01	Dämpare	Rubber Cone	



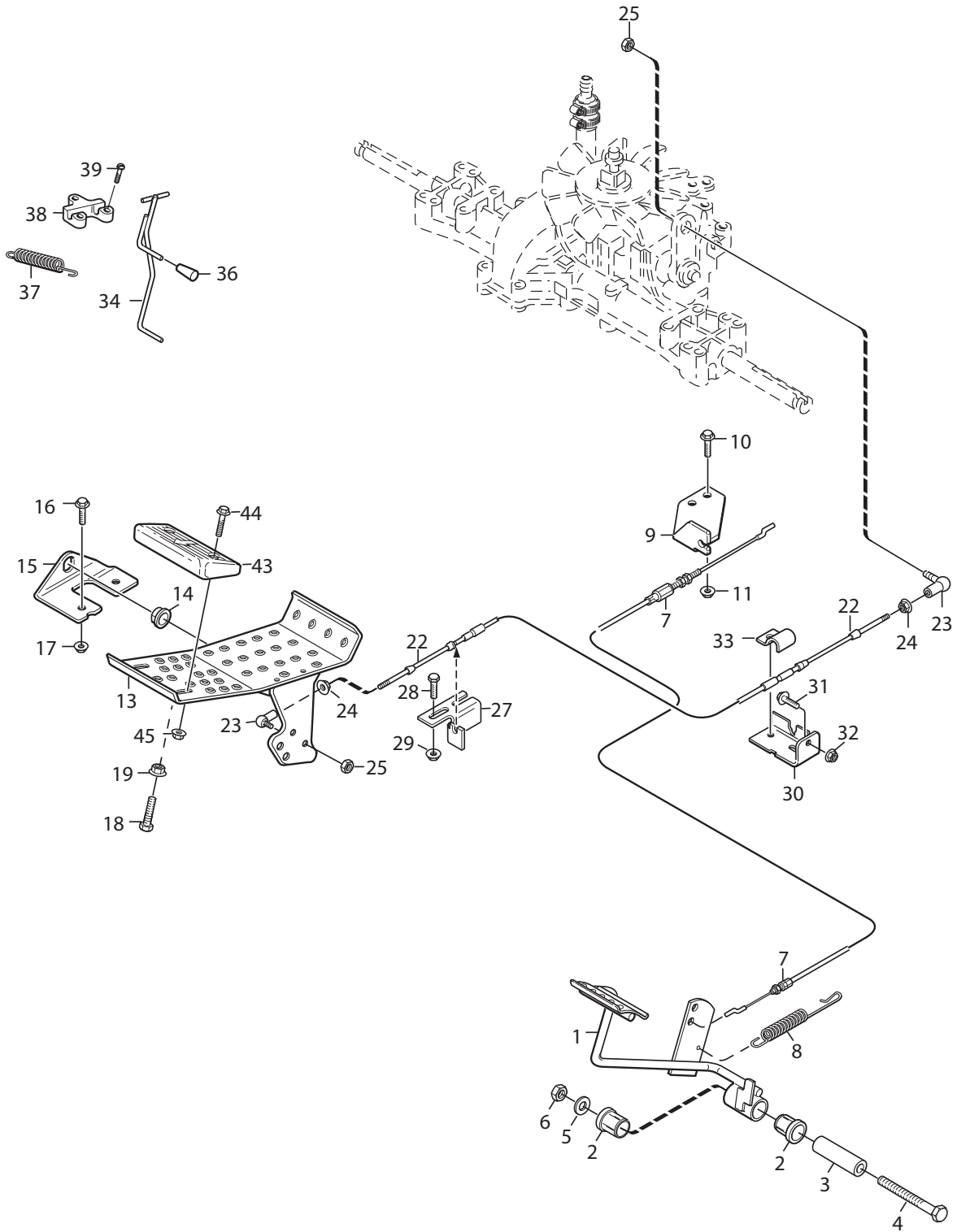
Utgåva Issue 43 - 2014		Styrning Steering			
Pos. Fig.	Antal Quantity	Art nr Part No	Benämning	Description	Anmärkning Notes
1	1	1134-6374-06	Kedja	Chain	83 länk
2	3	1134-6374-02	Kedja	Chain	41 länk
3	1	1134-6374-04	Kedja	Chain	45 länk
4	1	1134-3550-02	Ändnippel (L90)	End Nipple	L = 90 mm
4	1	1134-3550-01	Ändnippel (L110)	End Nipple	L = 110 mm
5	4	1134-3565-01	Skarvnippel	Connection Nipple	
6	10	1134-2824-02	Kedjelås Fz	Chain Lock	
7	1	1134-3817-01	Fjäder	Spring	L = 58 mm
7	1	1134-3817-02	Fjäder	Spring	L = 33 mm
8	2	9699-0090-02	Bricka	Washer	
9	2	9747-0831-02	Mutter Låsmutter	Nut	
10	4	1134-2816-01	Kedjehjul	Sprocket	
11	4	1134-0041-02	Bussning	Bushing	
12	4	9699-0035-02	Bricka	Washer	
13	2	9997-1050-16	Skruv	Screw	
14	2	9897-1040-12	Skruv	Screw	
15	4	9739-1031-22	Mutter	Nut	
16	3	1134-3547-01	Kedjehjul	Sprocket	
17	3	1134-0041-01	Bussning	Bushing	
18	2	1134-0046-00	Wireklämma	Wire Clamp	
19	3	9997-1030-16	Skruv	Screw	
20	3	9739-1031-22	Mutter	Nut	
21	1	1137-0066-01	Rattstång Skydd	Steering Column Cover	
22	4	9897-0820-16	Skruv	Screw	
23	4	9739-0831-22	Mutter	Nut	
24	1	1137-0044-01	Rattrör Nedre Kpl	Steering Column Assy	
25	1	9549-0017-00	Kullager	Ball Bearing	
26	1	9945-0816-16	Skruv	Screw	
27	1	1137-0045-01	Rattstång	Steering Rod	
28	1	1134-4114-01	Bussning	Bushing	
29	1	1134-4118-01	Koppling	Coupling	
30	2	9595-0256-01	Spännstift 6X28 Typ N Iso 8750	Locating Pin	
31	1	9695-0011-00	Bricka	Washer	
32	1	1134-5173-02	Ratt Kpl	Steering Wheel	
33	1	1134-3769-01	Styrknopp Kpl Service	Steering Wheel Button Kit	
34	1	1134-3752-01	Knoppfäste	Knob Holder	
35	1	9997-0870-16	Skruv	Screw	
36	1	1134-1565-06	Distans	Spacer	
37	3	9699-0090-02	Bricka	Washer	
38	1	9747-0831-02	Mutter Låsmutter	Nut	
39	1	9403-0043-70	Plugg	Plug	
40	1	9403-0113-00	Ringmutter	Ring Nut	
42	1	1139-2074-01	Rep.Sats-Momentförstärkare	Seal Kit-Steering Booster	
42	1	1139-2106-01	Drev (F Momentförstärkare)	Pinion (Steering Booster)	
42	1	1137-0446-01	Momentförstärkare	Steering Booster	
43	3	9939-0612-16	Skruv	Screw	
45	1	1134-7073-01	Vinkeladapter	Hydraulic Coupling 90	
48	1	1134-4282-01	Hydraulnippel	Hydraulic Nipple	9/16" x 9/16"
48	1	9404-0028-01	O-Ring 11,89 X 1,98	O-ring	



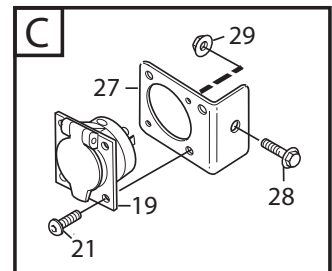
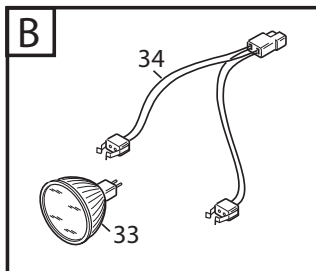
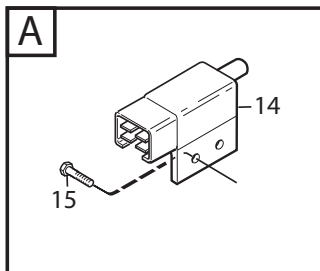
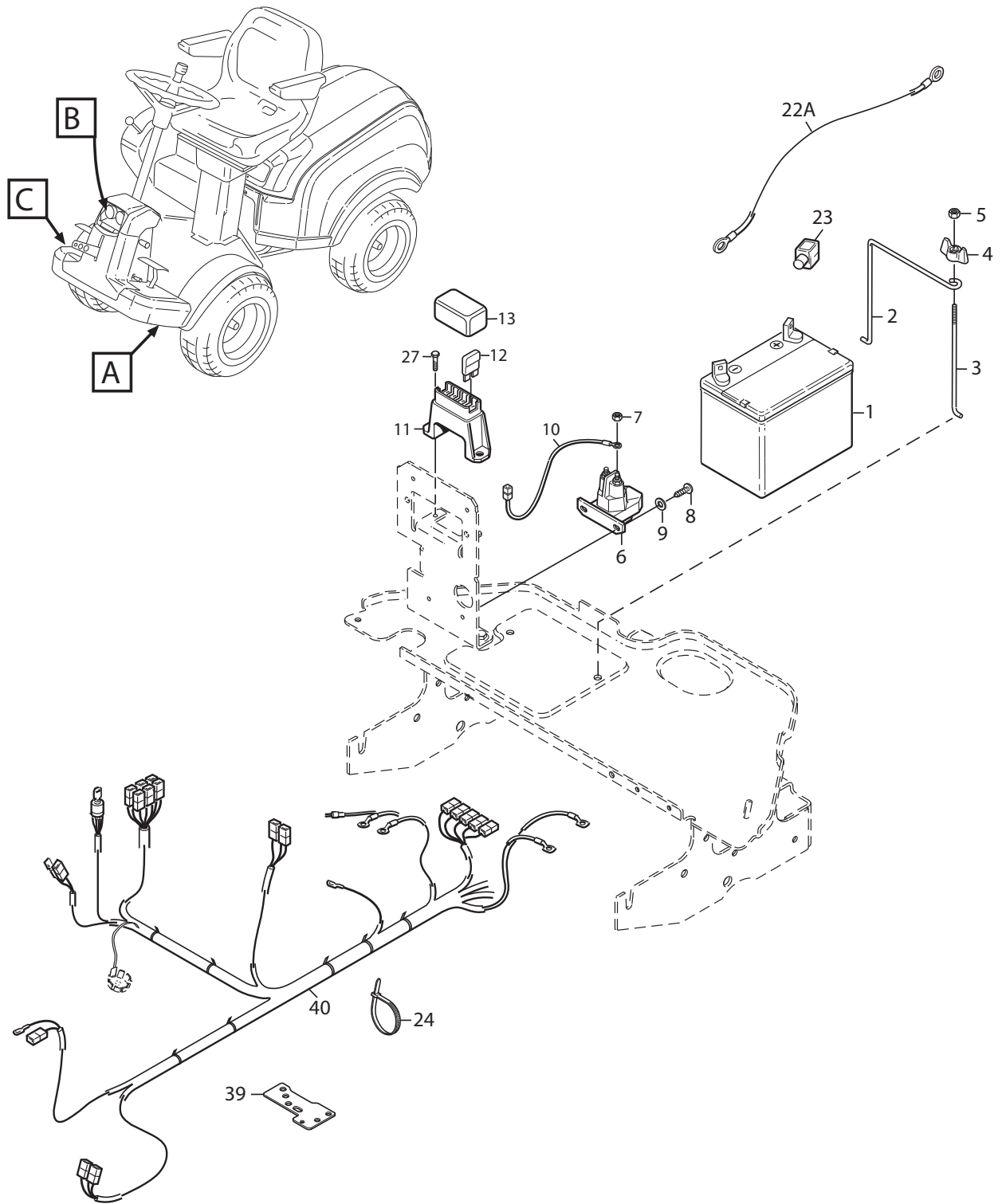
Utgåva Issue 43 - 2014		Styrning Steering			
Pos. Fig.	Antal Quantity	Art nr Part No	Benämning	Description	Anmärkning Notes
48	1	1137-0195-01	Hydraulslang	Hydraulic Hose	
50	1	1137-0216-01	Hydraulslang	Hydraulic Hose	
51	2	1134-6323-01	Banjoskruv 3/8"	Banjo Bolt 3/8	
53	1	1137-0070-01	Rattrör-Inre	Steering Tube-Inner Assy	
54	1	1134-5177-01	Slid	Slide	
55	1	9710-0631-12	Låsmutter	Nut	
56	1	1134-4481-02	Vingmutter	Wing Nut	
57	1	9997-0630-12	Skruv	Screw	
58	1	1137-0112-01	Bygel	Guide	
59	2	9897-0616-16	Skruv	Screw	
60	2	9739-0631-22	Mutter Strålkastare	Nut Working lamp	
70	1	1134-6379-02	Styrkedja	Steering Chain Assy	



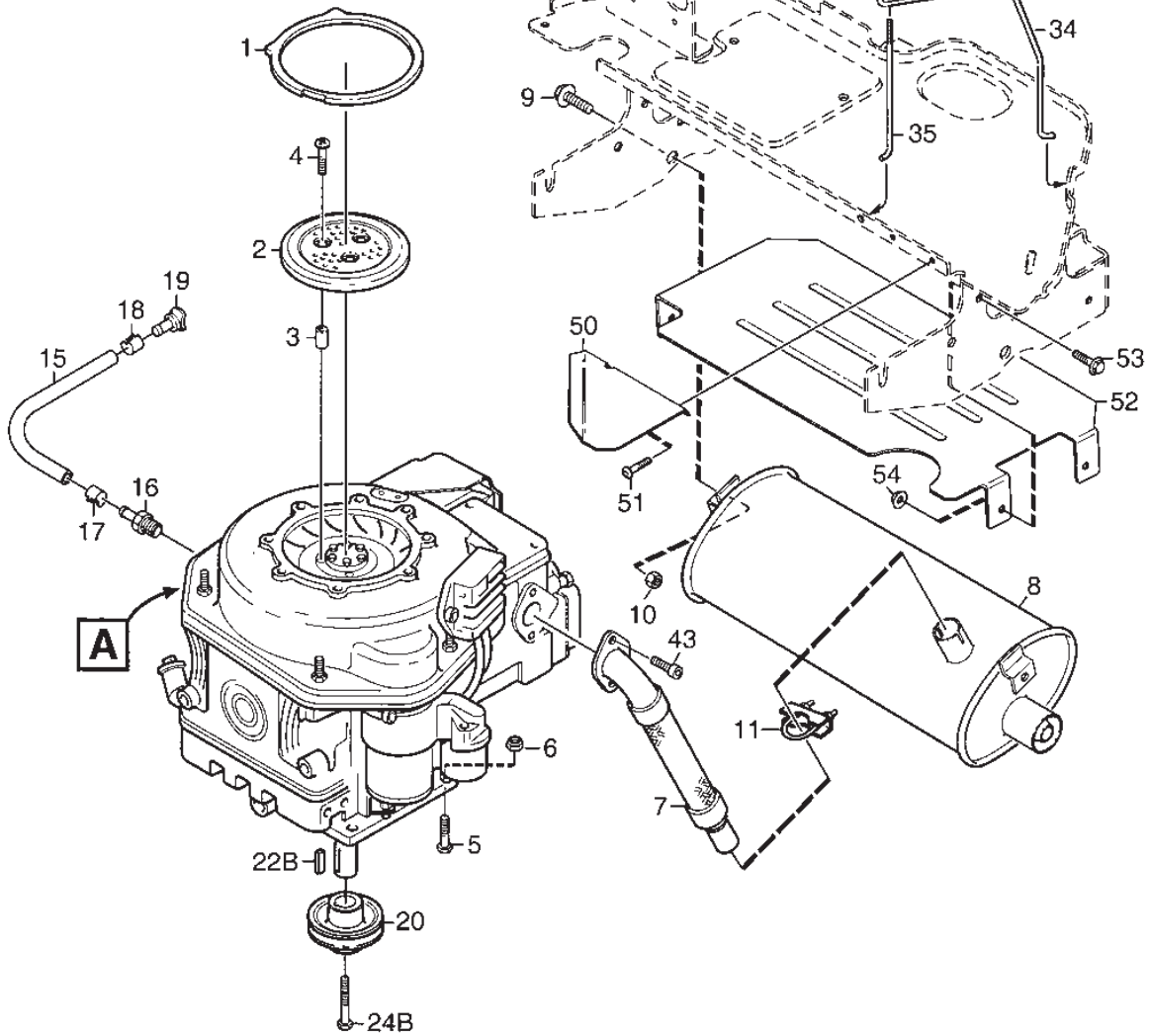
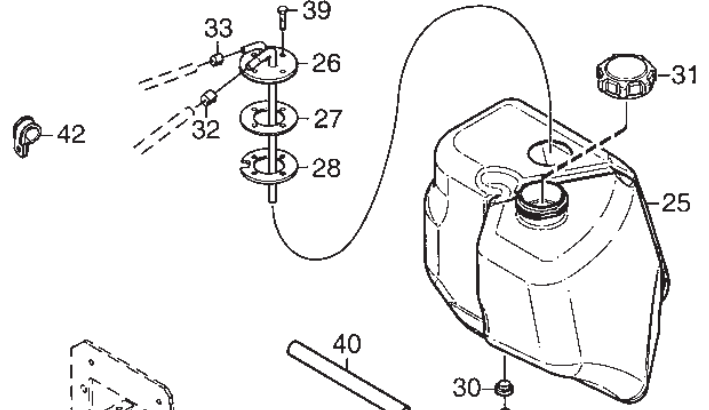
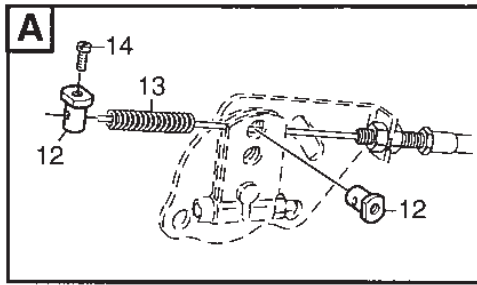
Utgåva Issue 43 - 2014		Handreglage		Hand controls	
Pos. Fig.	Antal Quantity	Art nr Part No	Benämning	Description	Anmärkning Notes
1	1	1134-6324-01	Vinkelhållare Kpl	Panel Bracket Assy	
2	2	9897-0820-16	Skruv	Screw	
3	2	9739-0831-22	Mutter	Nut	
9	1	1134-4077-02	Arm	Lever	
10	1	1134-4078-01	Knopp	Knob	
11	1	1134-0240-00	Skruv	Screw	
12	2	1134-4242-01	Distansbricka	Washer	
13	1	9665-0002-00	Bricka	Washer	
14	1	9747-0831-02	Mutter Låsmutter	Nut	
15	1	1134-4923-01	Gasreglage	Throttle Cable	
16	1	9500-9991-00	Kabelklämma	Wire Clamp	
17	1	9943-0516-16	Skruv	Screw	
25	1	1134-6328-01	Frontfäste 5-01	Panel Bracket-Front	
26	2	9893-0616-16	Relä Skruv	Relay Screw	
27	1	1134-6327-01	Frontplåt5-01	Front Plate	
28	4	9893-0616-16	Relä Skruv	Relay Screw	
34	1	1134-2871-03	Relä	Relay	
35	1	1134-2871-01	Relä Relä	Relay	
36	2	9997-0512-16	Skruv	Screw	
37	2	9739-0531-22	Mutter	Nut	
38	1	1134-6096-09	Panel	Dashboard	
39	4	9946-0525-16	Skruv	Screw	
41	4	1134-4129-01	Täckbricka	Cover	
42	1	118450079/0	Brytare	Switch	
46	1	9400-0296-01	Brytare	Switch	
47	2	9699-0090-02	Bricka	Washer	
48	2	9400-0282-01	Brytare (Med Diod)	Switch	
50	1	9400-0280-03	Vippa Höjdinst	Switch Cover-Height Adjust	
51	1	9400-0280-01	Vippa Pto	Switch Cover-Pto	
55	1	1134-6097-02	Timräknare	Hour Meter	
99	1	9400-0290-01	Verktyg F.Vippa	Tool	Tillbehör/Accessory



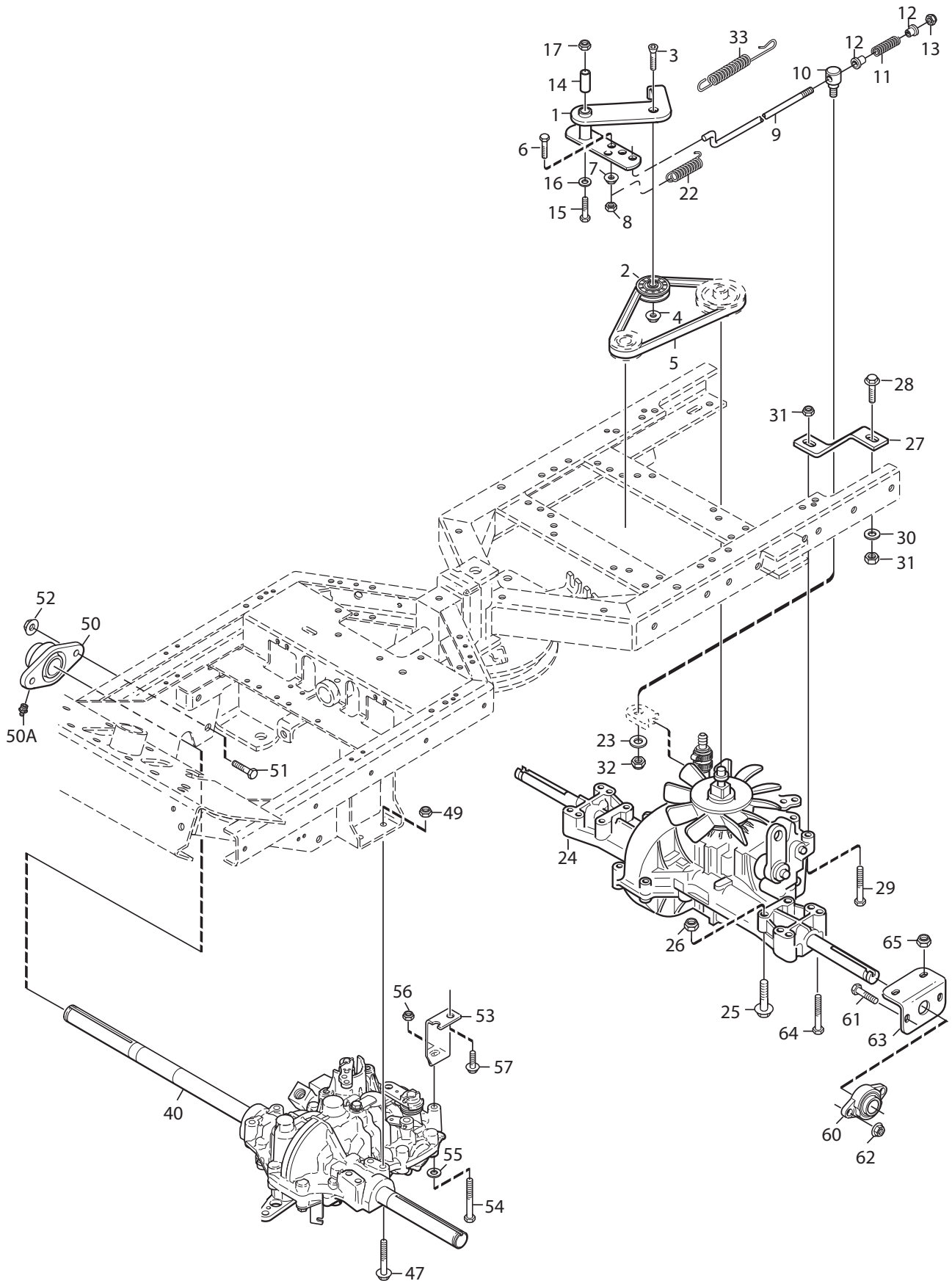
Utgåva Issue 43 - 2014		Fotreglage Foot controls			
Pos. Fig.	Antal Quantity	Art nr Part No	Benämning	Description	Anmärkning Notes
1	1	1134-5655-01	Kopplingspedal Kpl	Clutch Pedal	
2	1	1134-9024-01	Lager (4 St)	Bearing	Sats 4 st/kit of 4
3	1	1134-5677-02	Distans	Spacer	
4	1	9997-1070-12	Skruv	Screw	
5	1	9699-0030-02	Bricka	Washer	
6	1	9739-1031-22	Mutter	Nut	
7	1	1134-6005-01	Reglagewire	Control Cable	
8	1	4231-0013-00	Fjäder	Spring	
9	1	1134-6052-01	Wirefäste 5-01	Wire Bracket	
10	2	9959-0820-16	Skruv	Screw	
11	1	9739-0831-22	Mutter	Nut	
13	1	1134-6353-01	Drivpedal	Drive Pedal	
14	2	1134-6313-01	Lager	Bearing	
15	2	1134-2700-01	Fäste	Bracket	
16	2	9959-0820-16	Skruv	Screw	
17	2	9739-0831-22	Mutter	Nut	
18	1	9997-0835-16	Skruv	Screw	
19	1	9739-0831-22	Mutter	Nut	
22	1	1134-2766-05	Reglagevajer	Speed Control Cable	
23	2	9570-0001-00	Vinkellänk As8 Din 71802M5	Elbow Link	
24	2	9739-0531-22	Mutter	Nut	
25	2	9747-0531-02	Mutter	Nut	
27	1	1134-6317-01	Wirefäste	Wire Bracket	
28	2	9959-0620-16	Skruv	Screw	
29	2	9739-0631-22	Mutter Strålkastare	Nut Working lamp	
30	1	1134-3395-01	Fäste 24 (5-01)	Attachment	
31	2	9959-0820-16	Skruv	Screw	
32	2	9739-0831-22	Mutter	Nut	
33	1	1134-2021-01	Växelwirefäste	Clamp	
34	1	1134-5353-01	Bromsstång	Brake Rod	
36	1	1134-2786-01	Knopp	Knob	
37	1	1131-1497-01	Fjäder	Brake Spring	
38	1	1134-4002-01	Fäste	Brake Rod Attachment	
39	3	9838-9516-12	Skruv	Screw	
43	2	1134-6340-02	Fotstöd (5-01)	Foot Rest	
44	4	9959-0620-16	Skruv	Screw	
45	4	9739-0631-22	Mutter Strålkastare	Nut Working lamp	



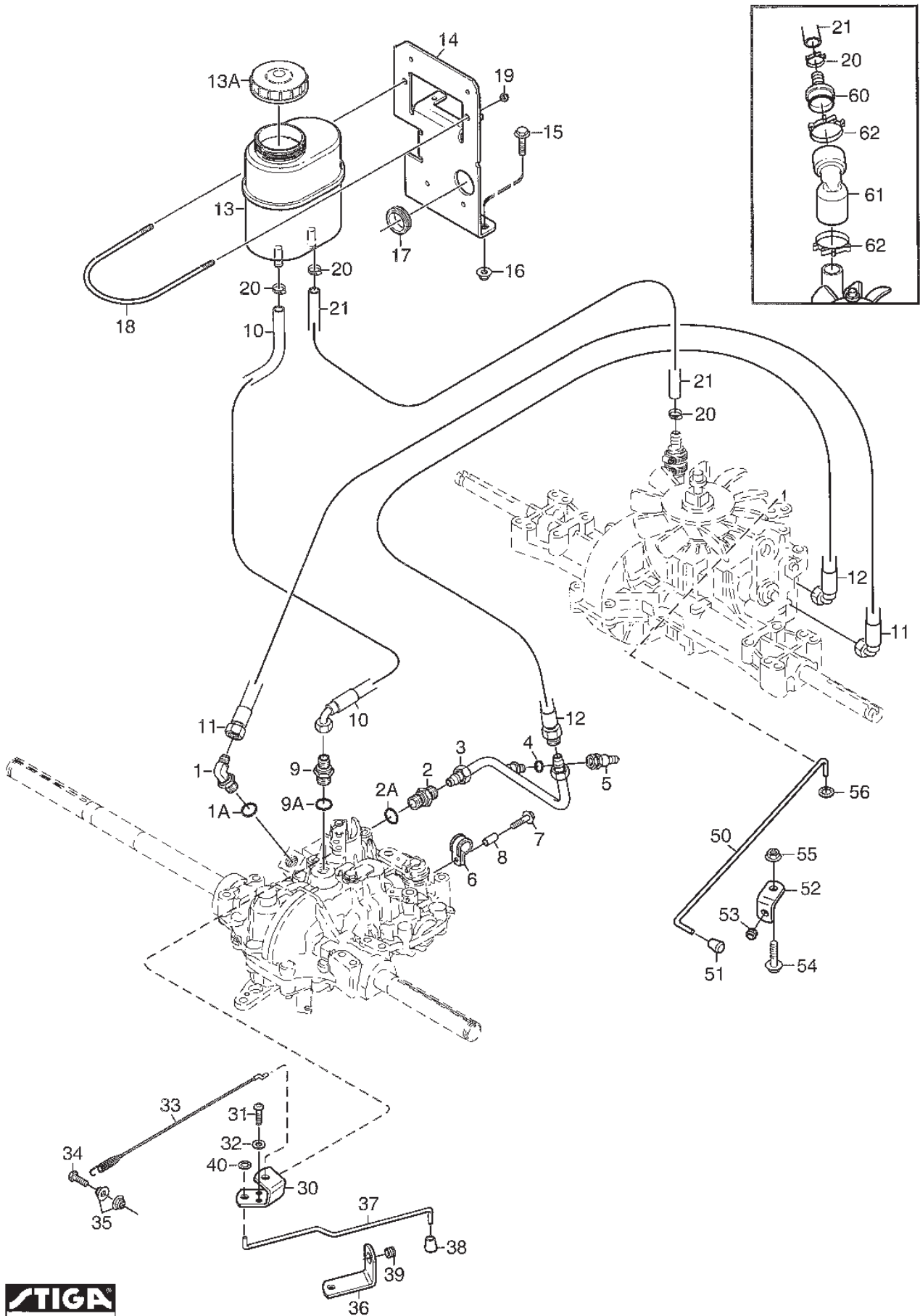
Utgåva Issue 43 - 2014		Elsystem Electric system			
Pos. Fig.	Antal Quantity	Art nr Part No	Benämning	Description	Anmärkning Notes
1	1	1134-5751-01	Batteri	Battery	
2	1	1134-5994-01	Batteribyggel	Battery Loop	
3	1	1134-5995-01	Batteribyggel	Battery Loop	
4	1	1134-4481-02	Vingmutter	Wing Nut	
5	1	9747-0631-02	Mutter Låsmutter	Nut	
6	1	1134-2962-01	Solenoid Kpl Service	Solenoid	Inkl. pos 7
7	2	9794-5131-02	Mutter	Nut	
8	2	9852-8013-16	Skruv	Screw	
9	2	9699-0060-02	Bricka	Washer	
10	1	1134-4970-02	Kabel	Cable	
11	1	1134-3491-01	Säkringshållare	Fuse Holder	
12	1	1134-3496-07	Säkring (30A Grön)	Fuse (30A)	30A
12	1	1134-3496-06	Säkring (20A)	Fuse (20A)	20A
12	1	1134-3496-01	Säkring (10A)	Fuse (10A)	10A
13	1	1134-3631-01	Lock (5-01)	Cover-Fuse Holder	
14	1	1134-3399-02	Brytare	Switch	
15	2	9943-0516-16	Skruv	Screw	
19	1	1134-7535-01	Honkontakt	Female Connector	
21	2	9840-7716-16	Skruv	Screw	
22	1	1134-0234-02	Batterikabel (+)	Battery Cable (+)	
23	1	1134-2310-01	Batteriskydd	Guard Cap (+)	
24	2	9579-0018-01	Buntband L390	Cable	L=390
24	5	9579-0003-00	Buntband	Cable Holder	
27	1	1137-0075-01	Fäste	Attachment 2010	
28	1	9959-0820-16	Skruv	Screw	
29	1	9739-0831-22	Mutter	Nut	
33	2	9400-0358-01	Led-Lampa	Led-Lamp	
34	1	1134-7505-01	Kabelhärva	Wiring harness	Vanguard
39	1	1134-6454-01	Jordplåt	Ground Plate	
40	1	1137-0027-01	Kablage (Honda)	Harness	Honda
40	1	1134-6441-01	Kabelhärva	Wiring harness	B&S



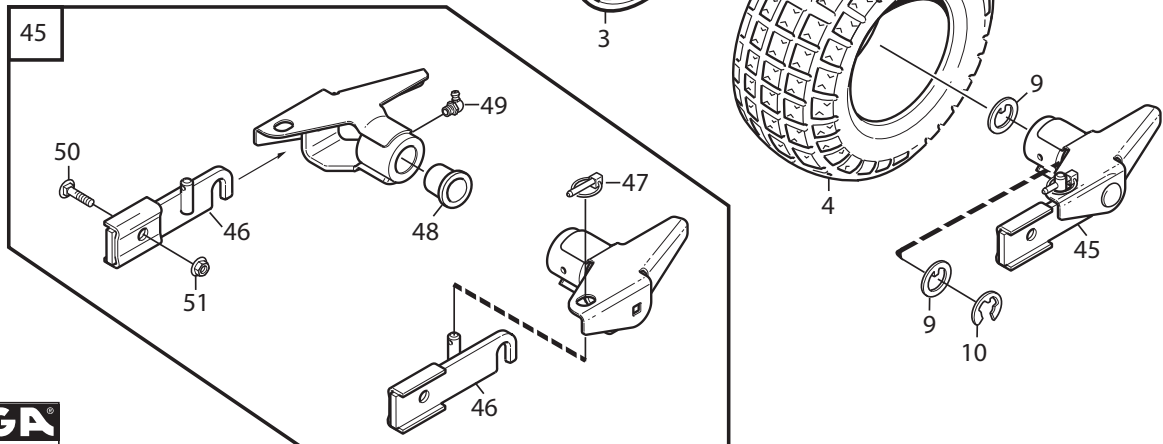
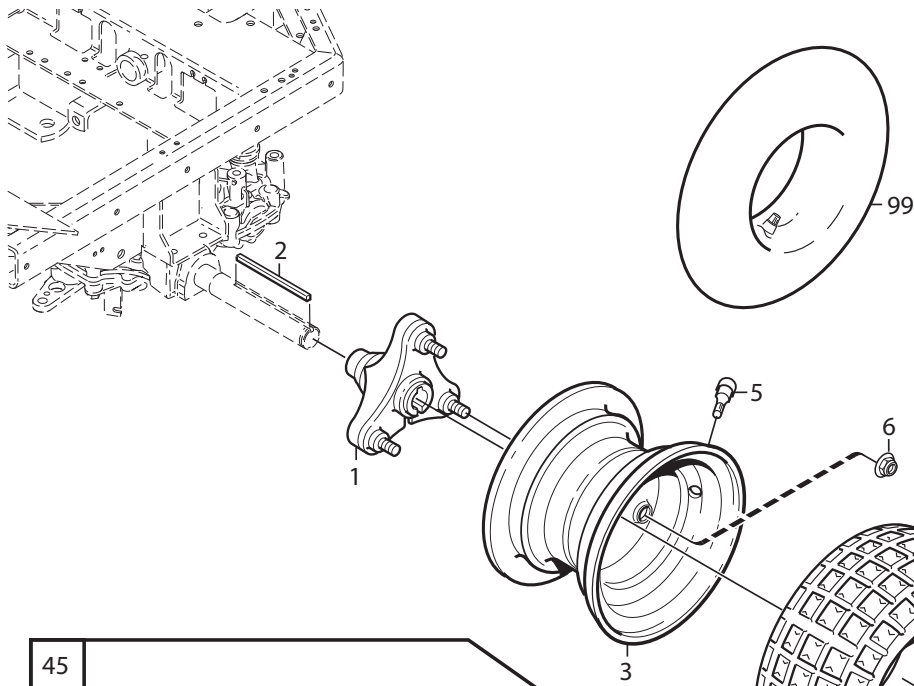
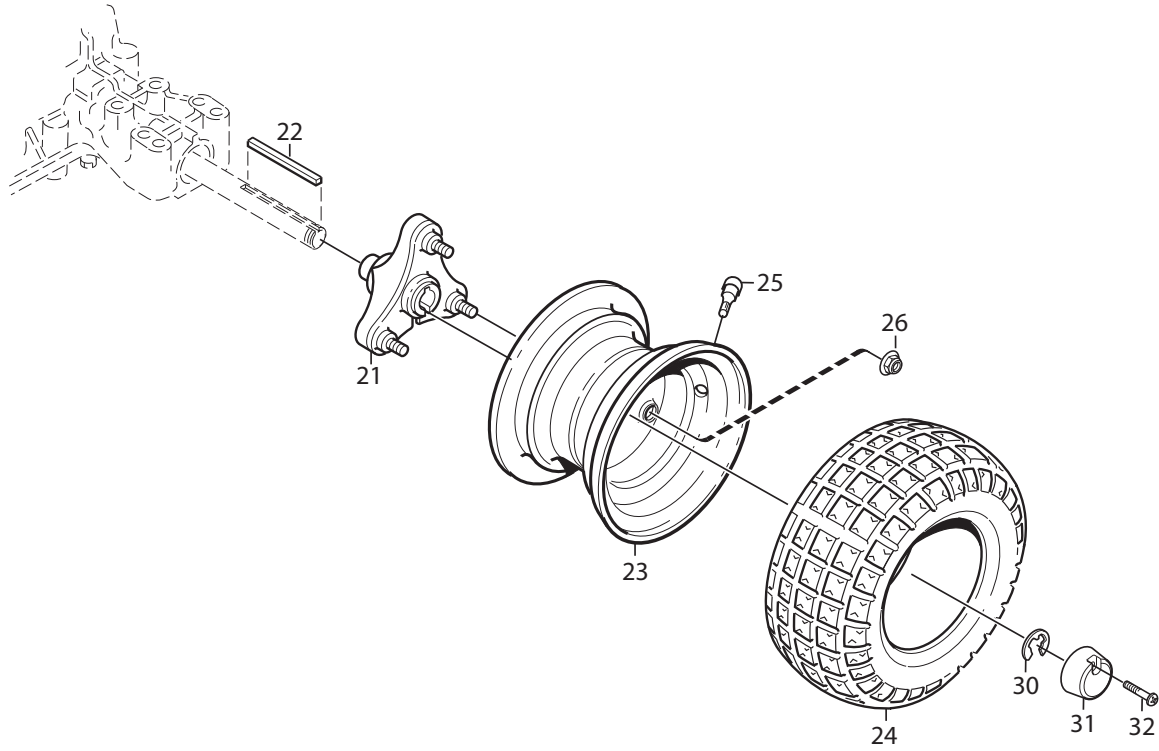
Utgåva Issue 43 - 2014		Motor	Engine		
Pos. Fig.	Antal Quantity	Art nr Part No	Benämning	Description	Anmärkning Notes
1	1	1134-6463-01	Tätningring	Seal Ring	
2	1	1134-4962-01	Fläktskydd	Fan Cover	
3	3	1134-4963-01	Distans	Spacer	
4	3	9948-0630-16	Skruv	Screw	
5	4	9997-1050-16	Skruv	Screw	
6	4	9731-1031-22	Mutter	Nut	
7	1	1134-6012-01	Grenrör Kpl (Hatz)	Exhaust Pipe	
8	1	1134-6024-01	Ljuddämpare Kpl	Muffler Assy	
9	2	9959-0820-16	Skruv	Screw	
10	2	9739-0831-22	Mutter	Nut	
11	1	9578-0011-01	Rörklämma 38	Tube Clamp	
12	2	1134-6118-01	Skruvnippel	Cable Nipple	
13	1	1134-6126-01	Fjäder	Spring	
14	1	9997-0412-16	Skruv	Screw	
15	1	1134-5827-04	Oljeavtappning Kpl	Oil Drain Assy	Inkl. pos 16 - 19
16	1	1134-5825-01	Nippel	Nipple	
17	1	9578-0023-04	Slangklämma 15*8 (Vit)	Hose Clamp	
18	1	1134-3499-02	Slangklämma	Hose Clamp	
19	1	1134-5826-01	Plugg	Plug	
20	1	1134-6139-01	Motorremskiva	Engine Belt Pulley	
22	1	9600-0251-00	Kil	Key	L = 3/4"
24	1	9987-5364-12	Skruv	Screw	L = 64 mm
25	1	1134-5938-02	Bränsletank	Fuel Tank	
26	1	1134-6130-01	Bränslegennomföring	Fuel Connection	
27	1	1134-6136-01	Packning	Sealing	
28	1	1134-6134-01	Fläns	Flange	
29	1	1134-3224-01	Bensinkran	Fuel Shut-Off Valve	
30	1	1134-3225-01	Gummibussning	Grommet	
31	1	1134-5532-01	Tanklock	Fuel Tank Cap	
32	1	9578-0023-02	Slangklämma D12*8 (Svart)	Hose Clamp	
33	1	9578-0023-07	Slangklämma 10.5/7	Hose Clamp	
34	1	1134-5942-01	Tankbygel	Tank Loop	
35	1	1134-5996-01	Tankbygel	Tank Loop	
36	1	1134-4481-02	Vingmutter	Wing Nut	
37	1	9747-0631-02	Mutter Låsmutter	Nut	
38	1	9959-0820-16	Skruv	Screw	
39	4	9997-0625-16	Skruv	Screw	
40	1	1134-2975-15	Bensinslang	Fuel Tube	Cut to desired lenght
41	1	9578-0023-02	Slangklämma D12*8 (Svart)	Hose Clamp	
42	1	1134-0994-02	Rörklammer	Tube Clamp	
43	2	9939-0820-16	Skruv	Screw	
50	1	1134-6234-01	Deflektor	Heat Deflector	
51	2	9943-0516-16	Skruv	Screw	
52	1	1134-6251-01	Deflektor	Heat Deflector	
53	4	9959-0612-16	Skruv	Screw	
54	4	9739-0631-22	Mutter Strålkastare	Nut Working lamp	



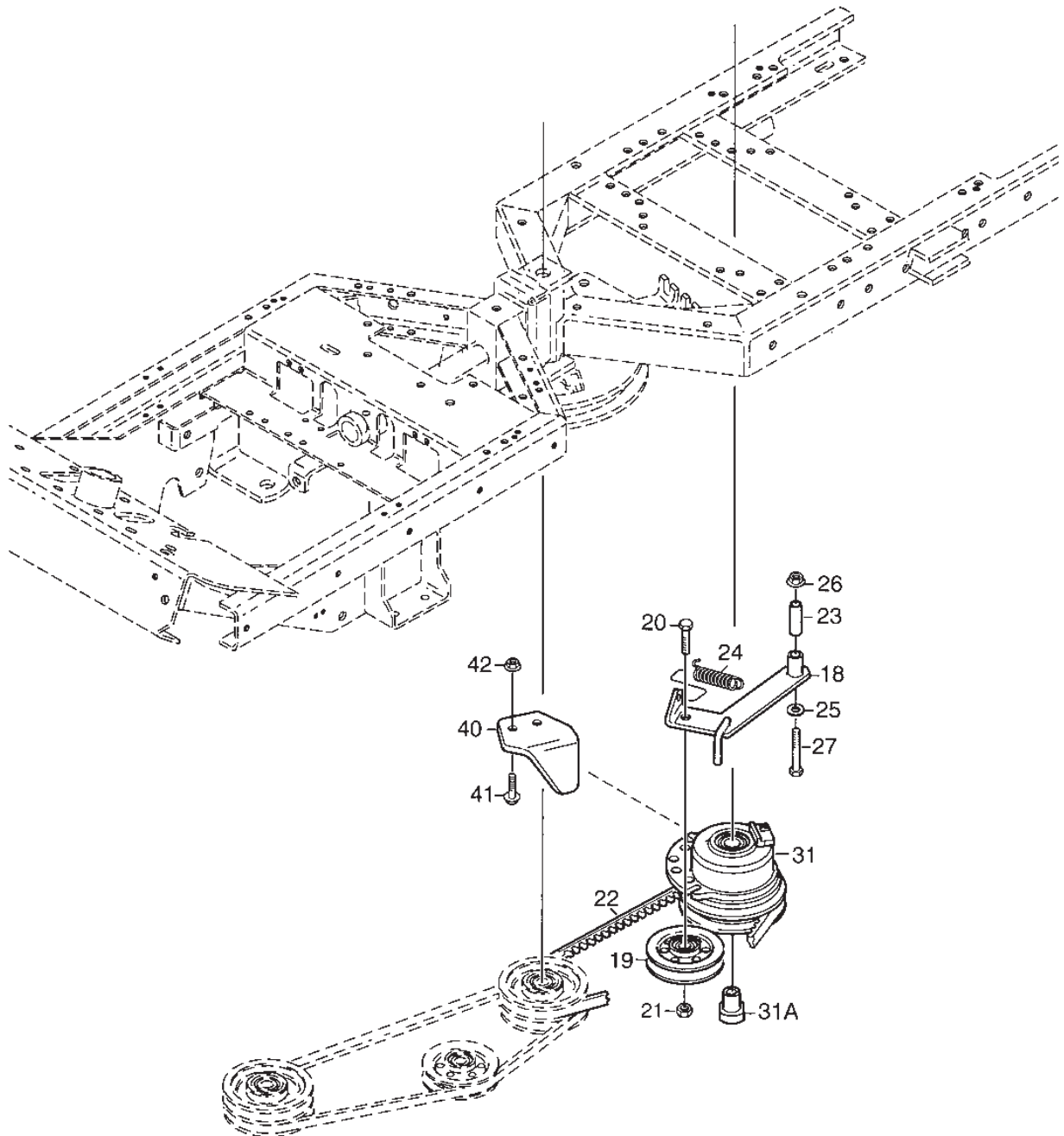
Utgåva Issue 43 - 2014		Transmission			
Pos. Fig.	Antal Quantity	Art nr Part No	Benämning	Description	Anmärkning Notes
1	1	1134-4000-02	Spännarm Kpl 15	Tension Arm	
2	1	1134-3459-01	Spännrulle	Tension Roller	
3	1	9924-1035-16	Skruv	Screw	
4	1	9799-1031-02	Mutter	Nut	
5	1	1134-9058-01	Kilrem	V-Belt	
6	1	9997-0625-16	Skruv	Screw	
7	1	9739-0631-22	Mutter Strålkastare	Nut Working lamp	
8	1	9747-0631-02	Mutter Låsmutter	Nut	
9	1	1134-3377-02	Reglagestång	Control Rod	
10	1	1134-4171-01	Ledtapp	Pivot Pin	
11	1	1134-4183-01	Fjäder	Spring	
12	2	1134-3456-01	Bussning	Bushing	
13	1	9747-0631-02	Mutter Låsmutter	Nut	
14	1	1134-1565-08	Distans	Spacer	
15	1	9997-0870-16	Skruv	Screw	
16	1	9699-0056-02	Bricka	Washer	
17	1	9747-0831-02	Mutter Låsmutter	Nut	
22	1	1134-6414-01	Fjäder	Spring	
23	1	9699-0060-02	Bricka	Washer	
24	1	1137-0125-01	Transaxel K574F	Transaxle K574F	Kanzaki K574F 4-port
25	4	9960-0860-12	Skruv	Screw	
26	4	9747-0831-02	Mutter Låsmutter	Nut	
27	1	1134-3913-01	Reaktionsstag 5-01 F24	Strut	
28	1	9959-0825-16	Skruv	Screw	
29	1	9997-0845-12	Skruv	Screw	
30	1	9699-0090-02	Bricka	Washer	
31	2	9747-0831-02	Mutter Låsmutter	Nut	
32	1	9747-0631-02	Mutter Låsmutter	Nut	
33	1	4231-0013-00	Fjäder	Spring	
40	1	1134-6029-01	Motoraxel-Främre (Ktm10M)	Front Motor Unit (Ktm10M)	Kanzaki KTM 10M
47	2	9960-0860-12	Skruv	Screw	
49	2	9747-0831-02	Mutter Låsmutter	Nut	
50	1	1134-5703-01	Flänslagerenhet	Flange Bearing Unit	
50	1	9501-0500-00	Smörjkopp Kort Rak	Grease Dispenser	
51	2	9997-1040-16	Skruv	Screw	
52	2	9731-1031-22	Mutter	Nut	
53	1	1134-5670-01	Reaktionsstag 5-01	Strut	
54	1	9997-0880-16	Skruv	Screw	
55	1	9699-0090-02	Bricka	Washer	
56	1	9747-0831-02	Mutter Låsmutter	Nut	
57	2	9945-0816-16	Skruv	Screw	
60	2	1137-1122-01	Flänslagerenhet	Flange Bearing Unit	
61	4	112793301/0	Skruv	Screw	
62	4	112154220/0	Mutter	Nut	
63	2	1137-1123-01	Fäste	Bracket	
64	4	9960-0860-12	Skruv	Screw	
65	4	112155000/0	Mutter	Nut	



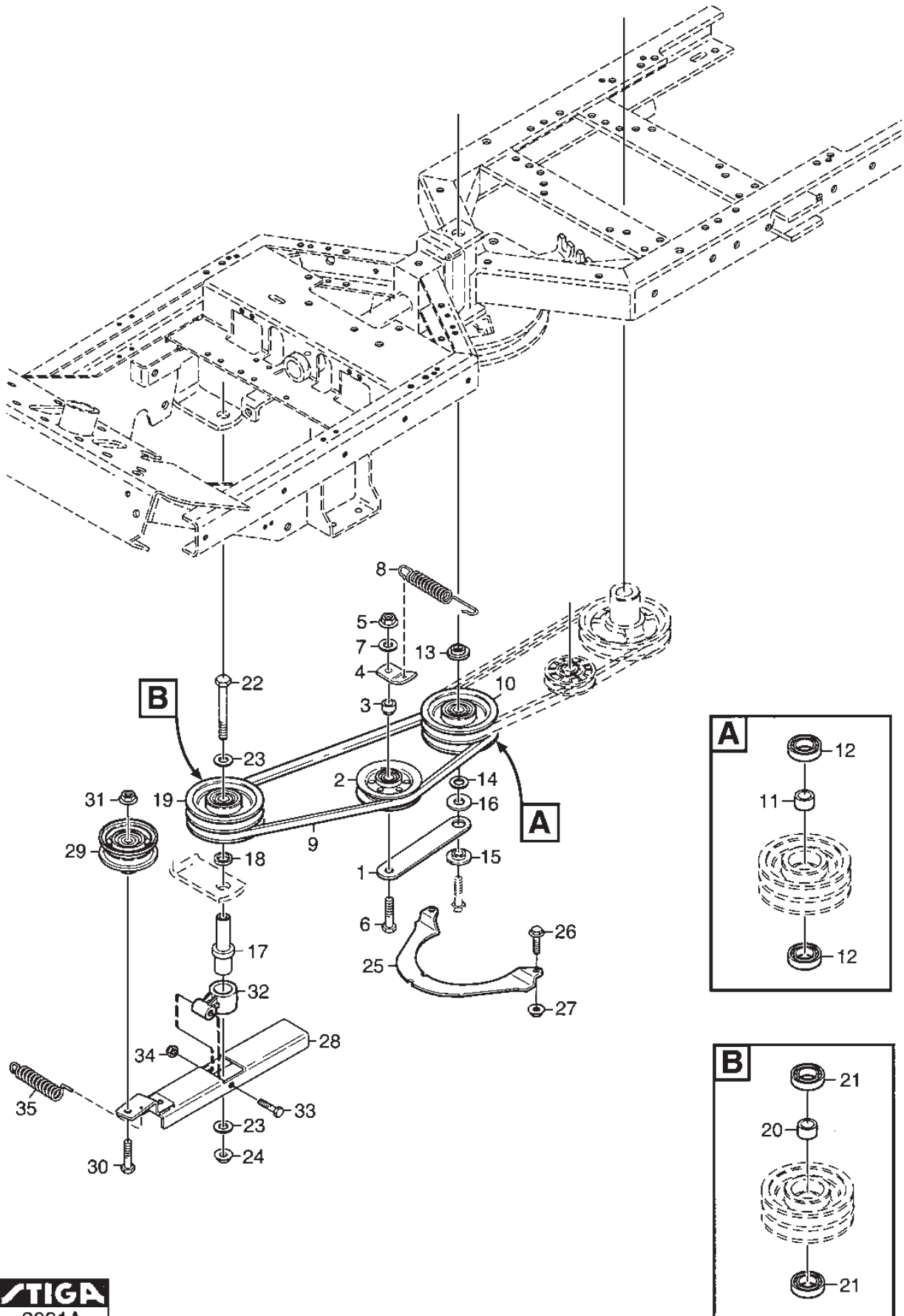
Utgåva Issue 43 - 2014		Transmission			
Pos. Fig.	Antal Quantity	Art nr Part No	Benämning	Description	Anmärkning Notes



Utgåva Issue 43 - 2014		Hjul	Wheels		
Pos. Fig.	Antal Quantity	Art nr Part No	Benämning	Description	Anmärkning Notes
1	2	1134-4844-03	Hjulnav Kpl	Wheel Hub Assy	
2	2	1134-3383-02	Kil	Key	
3	2	1134-4558-01	Fälg	Rim	
4	2	9545-0116-00	Däck	Tyre	16 x 7.50 - 8
5	2	9545-0500-00	Ventil	Valve Assy.	
6	6	9731-1031-22	Mutter	Nut	
9	4	1134-5797-01	Bricka	Washer	
10	2	9653-0002-04	Spärryttare	Lock Ring	
21	2	1134-4844-02	Hjulnav Kpl	Wheel Hub Assy	
22	2	1134-2471-01	Kil	Key	
23	2	1134-4558-01	Fälg	Rim	
24	2	9545-0116-00	Däck	Tyre	16 x 7.50 - 8
25	2	9545-0500-00	Ventil	Valve Assy.	
26	6	9731-1031-22	Mutter	Nut	
30	2	9653-0001-04	Spärryttare Rs	Lock Ring	
31	2	1134-4796-01	Navkapsel	Hub Cap	
32	2	9947-0540-19	Skruv	Screw	
45	1	13-0993-61	Rac Snabbfäste 4Wd Park	Rac Quick Connection 4Wd	Inkl. pos 9,10,46-51
46	1	1134-7465-01	Sats-Fästen (Vä+Hö Inkl Skruv)	Attachment Kit	Inkl. pos 50-51
47	2	1137-0077-01	Låssprint	Locking Pin	
48	4	1134-5686-01	Bussning	Bearing	
49	2	9501-0502-00	Smörjnippel	Grease Joint	
50	2	9898-1035-16	Skruv	Screw	
51	2	9739-1031-22	Mutter	Nut	
99	1	9545-0203-00	Innerslang	Inner Tube	Reservdel/spare part



Utgåva Issue 43 - 2014		Kraftuttag Power take-off			
Pos. Fig.	Antal Quantity	Art nr Part No	Benämning	Description	Anmärkning Notes
18	1	1134-3658-02	Spännarm Kpl 5-01	Tension Arm	
19	1	1134-3663-01	Remskiva	Tension Wheel	
20	1	9997-1040-16	Skruv	Screw	
21	1	9739-1031-22	Mutter	Nut	
22	1	1134-9047-01	Kilrem	V-Belt	= 9585-0088-00
23	1	1134-1565-10	Distans	Spacer	
24	1	1134-3379-01	Fjäder	Spring	
25	1	9699-0056-02	Bricka	Washer	
26	1	9739-0831-22	Mutter	Nut	
27	1	9997-0860-16	Skruv	Screw	
31	1	1134-3638-01	Magnetkoppling	Electric Pto-Clutch	
31	1	1134-5016-01	Bussning	Bushing	
40	1	1134-4924-01	Momentstag 5-01 F24	Strut	
41	1	9959-1025-16	Skruv	Screw	
42	1	9739-1031-22	Mutter	Nut	



Utgåva Issue 43 - 2014		Kraftuttag Power take-off			
Pos. Fig.	Antal Quantity	Art nr Part No	Benämning	Description	Anmärkning Notes
1	1	1134-1730-01	Spännhjulsarm	Tensioning Wheel Arm	
2	1	1134-3663-01	Remskiva	Tension Wheel	
3	1	1134-1888-05	Distans	Spacer	
4	1	1134-1893-01	Fjäder	Spring	
5	1	9739-1031-22	Mutter	Nut	
6	1	9997-1060-12	Skruv	Screw	
7	1	9699-0035-02	Bricka	Washer	
8	1	1134-5713-01	Fjäder	Spring	
9	1	1134-9098-01	Drivrem	Drive Belt	= 9585-0148-01
10	1	1134-1769-03	Centrumremskiva Smst	Centre Belt Pulley	
11	1	1134-0051-09	Distans	Spacer	
12	2	9549-0019-00	Kullager	Ball Bearing	
13	1	1134-5548-01	Distans	Spacer	
14	1	9699-0035-02	Bricka	Washer	
15	1	1134-0222-00	Bricka	Washer	
16	1	9699-0109-02	Bricka	Washer	
17	1	1134-5663-01	Axel	Shaft	
18	1	1134-0052-00	Distans	Spacer	
19	1	1134-1769-03	Centrumremskiva Smst	Centre Belt Pulley	
20	1	1134-0051-09	Distans	Spacer	
21	2	9549-0019-00	Kullager	Ball Bearing	
22	1	9997-1011-06	Skruv	Screw	
23	2	9699-0030-02	Bricka	Washer	
24	1	9739-1031-22	Mutter	Nut	
25	1	1134-3654-01	Fingerskydd 5-01 24	Guard	
26	2	9959-0612-16	Skruv	Screw	
27	2	9739-0631-22	Mutter Strålkastare	Nut Working lamp	
28	1	1134-5660-01	Spännarm Kpl 5-01	Tension Arm Assy	
29	1	1134-5823-01	Spännrulle Kpl	Tension Roller Assy	
30	1	9997-1050-16	Skruv	Screw	
31	1	9739-1031-22	Mutter	Nut	
32	1	1134-6314-01	Spännarmsfäste	Tension Arm Attachment	
33	1	9997-0645-12	Skruv	Screw	
34	1	9747-0631-02	Mutter Låsmutter	Nut	
35	1	1134-5824-01	Fjäder	Spring	

code	pos.	q.ty	page								
			p. 31	1134-3658-02	18	1	p. 35	1134-5016-01	31	1	p. 35
			p. 33	1134-3663-01	2	1	p. 37	1134-5094-01	3	4	p. 13
13-0993-61	45	1	p. 33	1134-3663-01	19	1	p. 35	1134-5173-02	32	1	p. 17
	31		p. 3	1134-3752-01	34	1	p. 17	1134-5177-01	54	1	p. 19
1111-2453-01	44	4	p. 9	1134-3769-01	33	1	p. 17	1134-5353-01	34	1	p. 23
1131-1497-01	37	1	p. 23	1134-3817-01	7	1	p. 17	1134-5512-01	13	1	p. 3
1134-0031-00	3	1	p. 9	1134-3817-02	7	1	p. 17	1134-5532-01	31	1	p. 27
1134-0041-01	17	3	p. 17	1134-3913-01	27	1	p. 29	1134-5548-01	13	1	p. 37
1134-0041-02	11	4	p. 17	1134-3963-02	2	1	p. 9	1134-5655-01	1	1	p. 23
1134-0041-03	49	2	p. 9	1134-3970-02	26	1	p. 5	1134-5656-02	1	1	p. 9
1134-0046-00	18	2	p. 17	1134-3970-05	25	1	p. 5	1134-5660-01	28	1	p. 37
1134-0051-09	11	1	p. 37	1134-3979-01	18	1	p. 5	1134-5663-01	17	1	p. 37
1134-0051-09	20	1	p. 37	1134-3990-01	29	1	p. 13	1134-5670-01	53	1	p. 29
1134-0052-00	18	1	p. 37	1134-4000-02	1	1	p. 29	1134-5676-01	24	1	p. 9
1134-0222-00	15	1	p. 37	1134-4002-01	38	1	p. 23	1134-5677-02	3	1	p. 23
1134-0234-02	22	1	p. 25	1134-4012-03	15	1	p. 7	1134-5686-01	48	4	p. 33
1134-0240-00	10	2	p. 13	1134-4012-04	16	1	p. 7	1134-5703-01	50	1	p. 29
1134-0240-00	11	1	p. 21	1134-4077-02	9	1	p. 21	1134-5705-01	8	1	p. 9
1134-0240-00	24	2	p. 13	1134-4078-01	10	1	p. 21	1134-5713-01	8	1	p. 37
1134-0240-00	26	2	p. 9	1134-4100-01	25	2	p. 9	1134-5751-01	1	1	p. 25
1134-0994-02	42	1	p. 27	1134-4114-01	28	1	p. 17	1134-5797-01	9	4	p. 33
1134-1565-06	36	1	p. 17	1134-4117-01	1	1	p. 11	1134-5823-01	29	1	p. 37
1134-1565-08	14	1	p. 29	1134-4118-01	29	1	p. 17	1134-5824-01	35	1	p. 37
1134-1565-08	37	2	p. 13	1134-4129-01	41	4	p. 21	1134-5825-01	16	1	p. 27
1134-1565-10	23	1	p. 35	1134-4130-01	32	1	p. 13	1134-5826-01	19	1	p. 27
1134-1730-01	1	1	p. 37	1134-4135-01	34	1	p. 13	1134-5827-04	15	1	p. 27
1134-1769-03	10	1	p. 37	1134-4153-01	19	1	p. 13	1134-5879-01	3	2	p. 13
1134-1769-03	19	1	p. 37	1134-4159-01	20	1	p. 13	1134-5938-02	25	1	p. 27
1134-1888-05	3	1	p. 37	1134-4160-01	18	2	p. 13	1134-5942-01	34	1	p. 27
1134-1893-01	4	1	p. 37	1134-4171-01	10	1	p. 29	1134-5944-01	19	1	p. 9
1134-2021-01	33	1	p. 23	1134-4176-01	4	2	p. 5	1134-5988-01	11	1	p. 9
1134-2310-01	23	1	p. 25	1134-4176-01	12	2	p. 5	1134-5994-01	2	1	p. 25
1134-2471-01	22	2	p. 33	1134-4183-01	11	1	p. 29	1134-5995-01	3	1	p. 25
1134-2551-01	38	1	p. 11	1134-4242-01	12	2	p. 21	1134-5996-01	35	1	p. 27
1134-2684-01	2	2	p. 11	1134-4242-01	27	2	p. 9	1134-6005-01	7	1	p. 23
1134-2700-01	15	2	p. 23	1134-4282-01	45	1	p. 11	1134-6012-01	7	1	p. 27
1134-2766-05	22	1	p. 23	1134-4282-01	48	1	p. 17	1134-6024-01	8	1	p. 27
1134-2786-01	36	1	p. 23	1134-4360-01	17	1	p. 5	1134-6025-01	1	1	p. 7
1134-2816-01	10	4	p. 17	1134-4481-02	4	1	p. 25	1134-6026-01	6	1	p. 7
1134-2824-02	6	10	p. 17	1134-4481-02	36	1	p. 27	1134-6027-01	7	1	p. 7
1134-2871-01	35	1	p. 21	1134-4481-02	56	1	p. 19	1134-6027-02	8	1	p. 7
1134-2871-03	34	1	p. 21	1134-4558-01	3	2	p. 33	1134-6029-01	40	1	p. 29
1134-2962-01	6	1	p. 25	1134-4558-01	23	2	p. 33	1134-6037-01	40	1	p. 9
1134-2975-15	40	1	p. 27	1134-4796-01	31	2	p. 33	1134-6046-01	7	1	p. 9
1134-3156-01	28	1	p. 13	1134-4800-01	21	1	p. 7	1134-6052-01	9	1	p. 23
1134-3224-01	29	1	p. 27	1134-4801-01	24	1	p. 7	1134-6073-01	39	1	p. 13
1134-3225-01	30	1	p. 27	1134-4815-01	6	1	p. 11	1134-6078-01	43	4	p. 13
1134-3262-01	38	1	p. 13	1134-4816-01	9	1	p. 11	1134-6090-01	23	1	p. 13
1134-3377-02	9	1	p. 29	1134-4817-01	11	1	p. 11	1134-6096-09	38	1	p. 21
1134-3379-01	24	1	p. 35	1134-4824-01	22	1	p. 11	1134-6097-02	55	1	p. 21
1134-3383-02	2	2	p. 33	1134-4824-01	27	1	p. 11	1134-6113-02	17	1	p. 3
1134-3395-01	30	1	p. 23	1134-4826-01	24	1	p. 11	1134-6118-01	12	2	p. 27
1134-3399-02	14	1	p. 25	1134-4844-02	21	2	p. 33	1134-6126-01	13	1	p. 27
1134-3456-01	12	2	p. 29	1134-4844-03	1	2	p. 33	1134-6130-01	26	1	p. 27
1134-3459-01	2	1	p. 29	1134-4915-01	47	4	p. 9	1134-6134-01	28	1	p. 27
1134-3491-01	11	1	p. 25	1134-4918-01	41	1	p. 9	1134-6136-01	27	1	p. 27
1134-3496-01	12	1	p. 25	1134-4919-01	45	4	p. 9	1134-6139-01	20	1	p. 27
1134-3496-06	12	1	p. 25	1134-4920-01	48	4	p. 9	1134-6234-01	50	1	p. 27
1134-3496-07	12	1	p. 25	1134-4923-01	15	1	p. 21	1134-6241-01	19	1	p. 7
1134-3499-02	18	1	p. 27	1134-4924-01	40	1	p. 35	1134-6251-01	52	1	p. 27
1134-3547-01	16	3	p. 17	1134-4947-01	25	2	p. 11	1134-6310-01	9	4	p. 7
1134-3550-01	4	1	p. 17	1134-4948-01	23	1	p. 11	1134-6313-01	14	2	p. 23
1134-3550-02	4	1	p. 17	1134-4948-01	28	1	p. 11	1134-6314-01	32	1	p. 37
1134-3565-01	5	4	p. 17	1134-4948-02	47	4	p. 11	1134-6317-01	27	1	p. 23
1134-3631-01	13	1	p. 25	1134-4962-01	2	1	p. 27	1134-6323-01	46	2	p. 11
1134-3638-01	31	1	p. 35	1134-4963-01	3	3	p. 27	1134-6323-01	51	2	p. 19
1134-3654-01	25	1	p. 37	1134-4970-02	10	1	p. 25	1134-6324-01	1	1	p. 21

code	pos.	q.ty	page				
9747-0631-02	37	1	p. 27	9959-0612-16	26	2	p. 37
9747-0631-02	41	1	p. 13	9959-0612-16	53	4	p. 27
9747-0831-02	6	6	p. 13	9959-0620-16	28	2	p. 23
9747-0831-02	9	2	p. 17	9959-0620-16	44	4	p. 23
9747-0831-02	13	2	p. 13	9959-0820-16	9	2	p. 27
9747-0831-02	14	1	p. 21	9959-0820-16	10	2	p. 23
9747-0831-02	17	1	p. 29	9959-0820-16	14	2	p. 3
9747-0831-02	22	1	p. 13	9959-0820-16	16	2	p. 23
9747-0831-02	26	4	p. 29	9959-0820-16	17	1	p. 7
9747-0831-02	29	2	p. 9	9959-0820-16	21	2	p. 9
9747-0831-02	31	2	p. 29	9959-0820-16	28	1	p. 25
9747-0831-02	38	1	p. 17	9959-0820-16	31	2	p. 23
9747-0831-02	49	2	p. 29	9959-0820-16	33	2	p. 5
9747-0831-02	56	1	p. 29	9959-0820-16	38	1	p. 27
9747-1031-02	3	2	p. 13	9959-0820-16	44	4	p. 13
9794-5131-02	7	2	p. 25	9959-0825-16	28	1	p. 29
9799-1031-02	4	1	p. 29	9959-1025-16	14	2	p. 9
9838-9516-12	27	3	p. 13	9959-1025-16	41	1	p. 35
9838-9516-12	39	3	p. 23	9960-0860-12	25	4	p. 29
9838-9516-12	41	2	p. 5	9960-0860-12	47	2	p. 29
9838-9516-12	46	2	p. 5	9960-0860-12	64	4	p. 29
9838-9516-12	49	4	p. 13	9987-5364-12	24	1	p. 27
9840-7716-16	21	2	p. 25	9988-3713-16	3	2	p. 13
9840-8013-16	28	2	p. 5	9997-0412-16	14	1	p. 27
9840-8013-16	33	4	p. 13	9997-0512-16	36	2	p. 21
9852-8013-16	8	2	p. 25	9997-0535-16	31	3	p. 7
9893-0616-16	2	4	p. 7	9997-0625-16	6	1	p. 29
9893-0616-16	3	2	p. 5	9997-0625-16	39	4	p. 27
9893-0616-16	8	2	p. 11	9997-0630-12	57	1	p. 19
9893-0616-16	11	6	p. 5	9997-0645-12	33	1	p. 37
9893-0616-16	18	2	p. 9	9997-0660-12	42	2	p. 11
9893-0616-16	20	3	p. 7	9997-0835-16	18	1	p. 23
9893-0616-16	23	4	p. 5	9997-0845-12	29	1	p. 29
9893-0616-16	23	4	p. 7	9997-0860-16	27	1	p. 35
9893-0616-16	26	2	p. 21	9997-0870-16	15	1	p. 29
9893-0616-16	27	4	p. 5	9997-0870-16	35	1	p. 17
9893-0616-16	28	4	p. 21	9997-0880-16	54	1	p. 29
9893-0616-16	40	1	p. 13	9997-1011-06	22	1	p. 37
9897-0616-16	29	2	p. 5	9997-1011-06	42	4	p. 9
9897-0616-16	59	2	p. 19	9997-1030-16	19	3	p. 17
9897-0820-16	2	2	p. 21	9997-1040-16	20	1	p. 35
9897-0820-16	5	4	p. 13	9997-1040-16	51	2	p. 29
9897-0820-16	22	4	p. 17	9997-1045-12	3	2	p. 13
9897-0820-16	30	2	p. 13	9997-1050-16	5	4	p. 27
9897-0880-12	4	2	p. 13	9997-1050-16	13	2	p. 17
9897-1040-12	14	2	p. 17	9997-1050-16	30	1	p. 37
9898-1035-16	18	2	p. 3	9997-1060-12	6	1	p. 37
9898-1035-16	50	2	p. 33	9997-1070-12	4	1	p. 23
9924-1035-16	3	1	p. 29	112154220/0	62	4	p. 29
9939-0612-16	43	3	p. 17	112155000/0	65	4	p. 29
9939-0820-16	43	2	p. 27	112793301/0	61	4	p. 29
9943-0516-16	15	2	p. 25	118210027/0	11	2	p. 3
9943-0516-16	17	1	p. 21	118450079/0	42	1	p. 21
9943-0516-16	30	2	p. 9				
9943-0516-16	51	2	p. 27				
9945-0816-16	8	6	p. 5				
9945-0816-16	20	2	p. 9				
9945-0816-16	26	1	p. 17				
9945-0816-16	57	2	p. 29				
9946-0525-16	19	3	p. 5				
9946-0525-16	39	4	p. 21				
9946-0525-16	43	2	p. 5				
9947-0540-19	32	2	p. 33				
9948-0630-16	4	3	p. 27				
9950-0570-12	20	2	p. 5				
9958-0820-16	17	4	p. 13				