



www.stiga.com

Illustrated Parts List

for model:

Deck 100 Combi 3

13-2977-31

Deck 100 Combi 3 (electric)

13-2978-31

- Use GLOBAL GARDEN PRODUCT genuine spare parts specified in the parts list for repair and/or replacement.
- Then contents described in the parts list may change due to improvement.
- The drawings of the spare part are only indicative and might not represent the part in question exactly.
- The indications "right" - "left" - "front" - "rear" refer to the position of the operator when using the machine.
- When placing orders of parts for repair and/or replacement, make sure that the illustrated parts list is the one applying to the machine's year of manufacture, as shown on the identification plate attached to the machine.

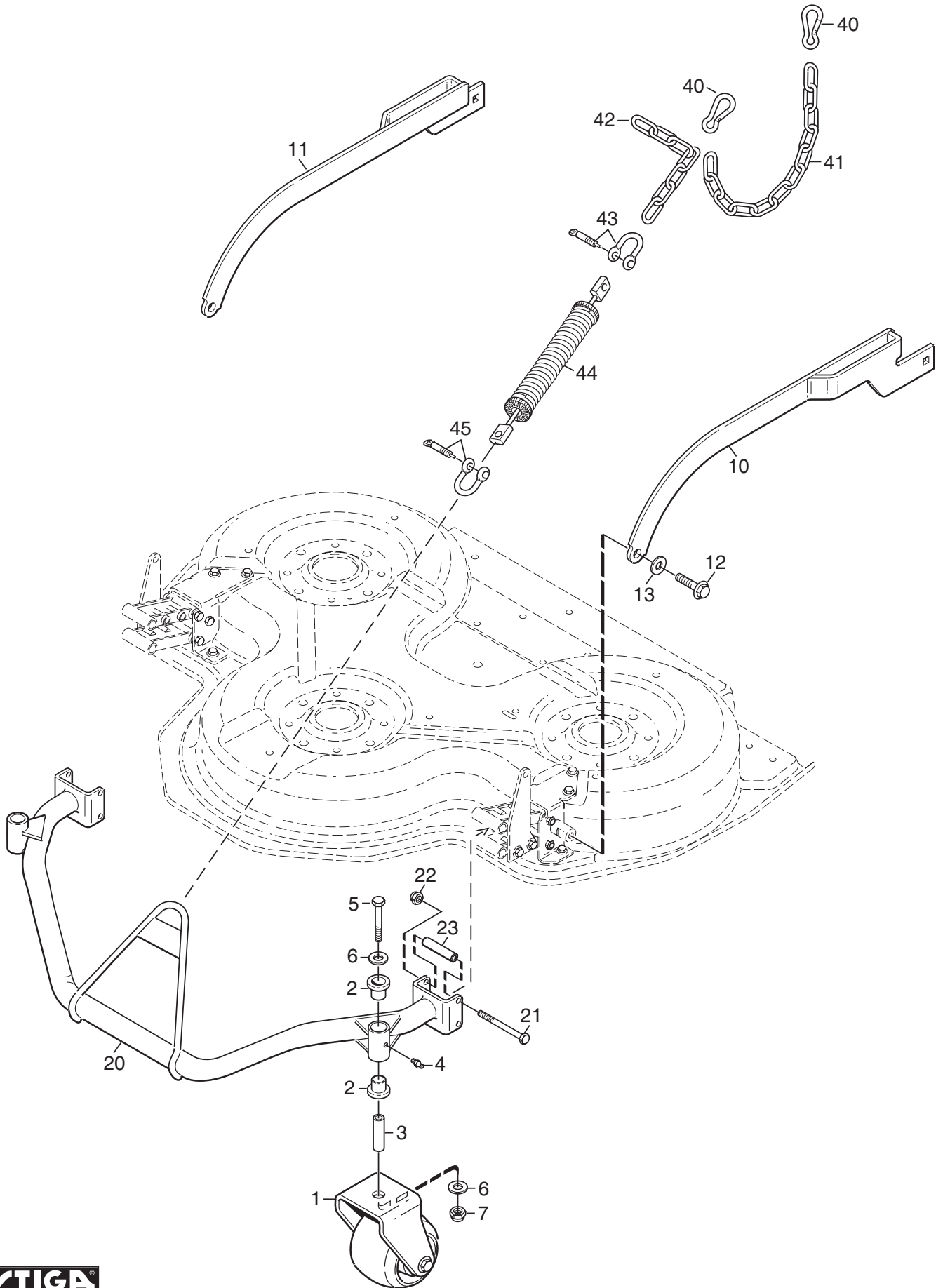
© Copyright 2014 Global Garden Products

All content is subject to copyright by Global Garden Products and may not be reproduced in whole or in part by any means, electronic or otherwise, without prior written approval.

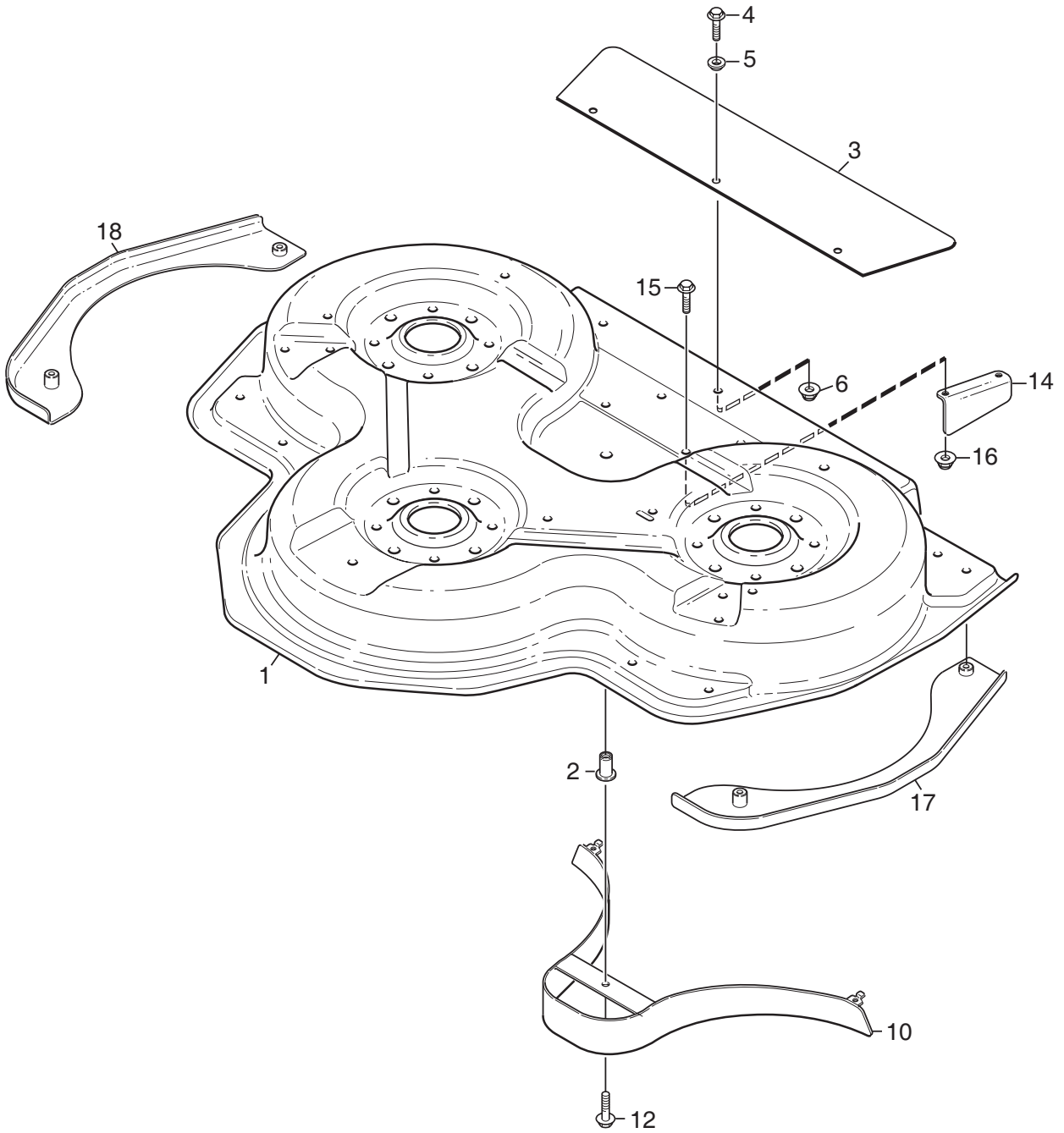
THIS INFORMATION IS NOT INTENDED FOR SALE OR RESALE, AND THIS NOTICE MUST REMAIN ON ALL COPIES.

www.ggp-group.com

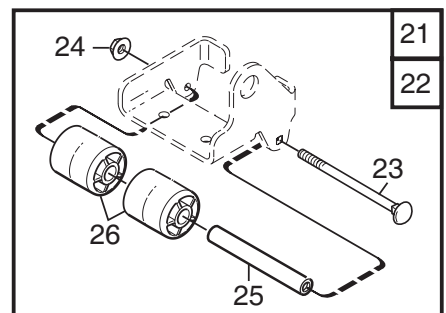
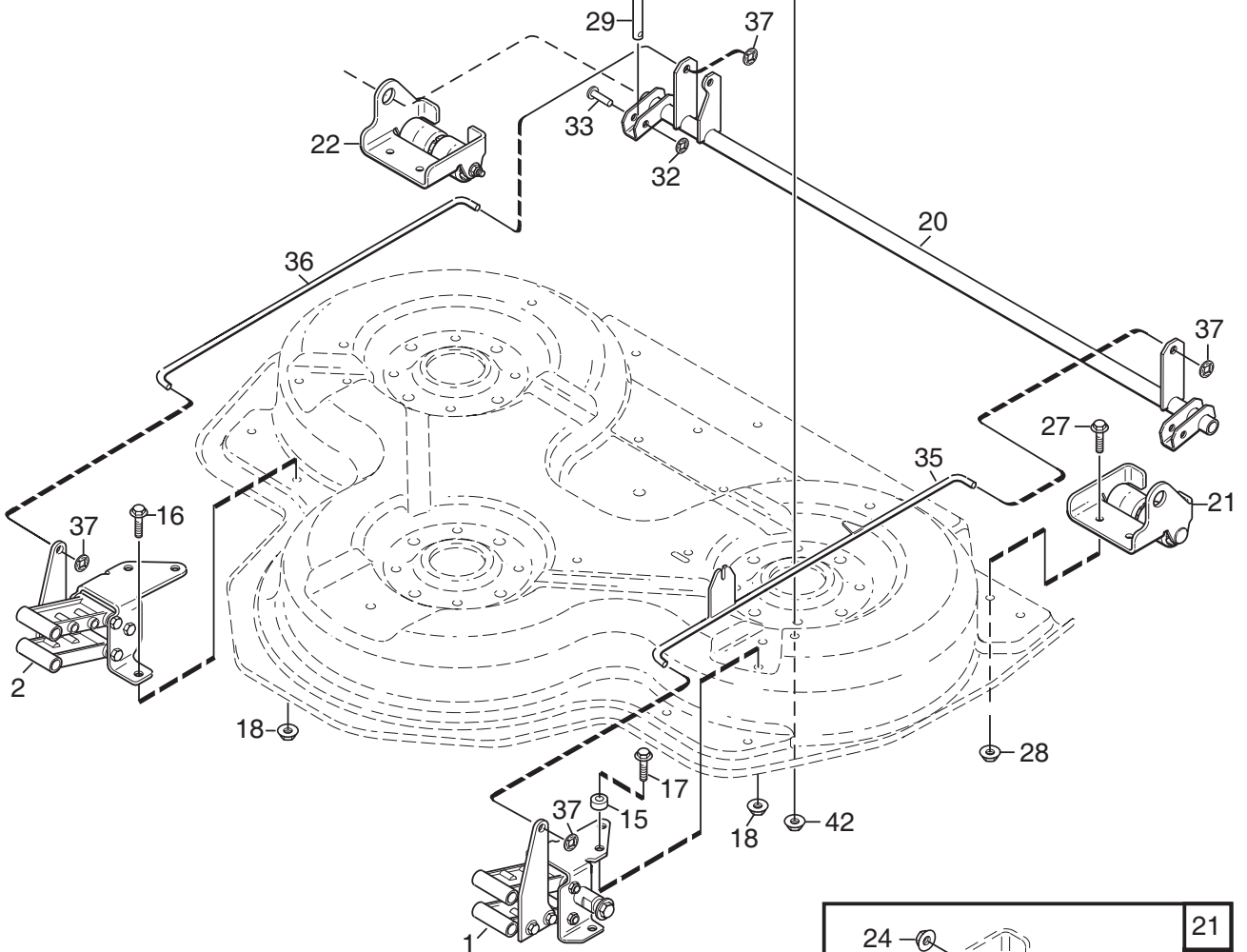
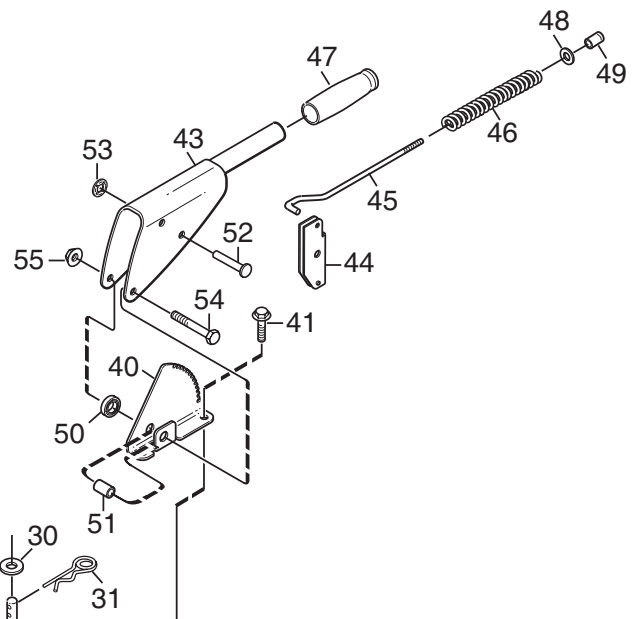
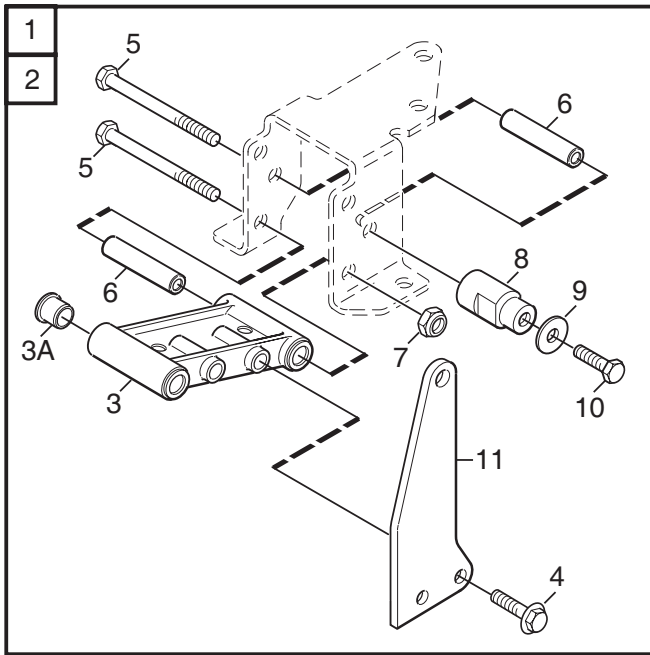




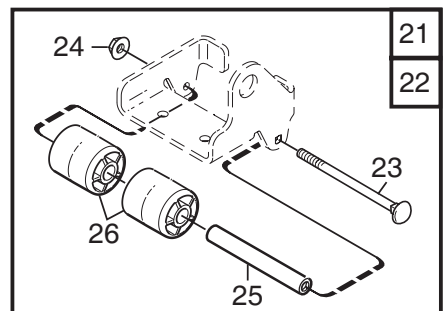
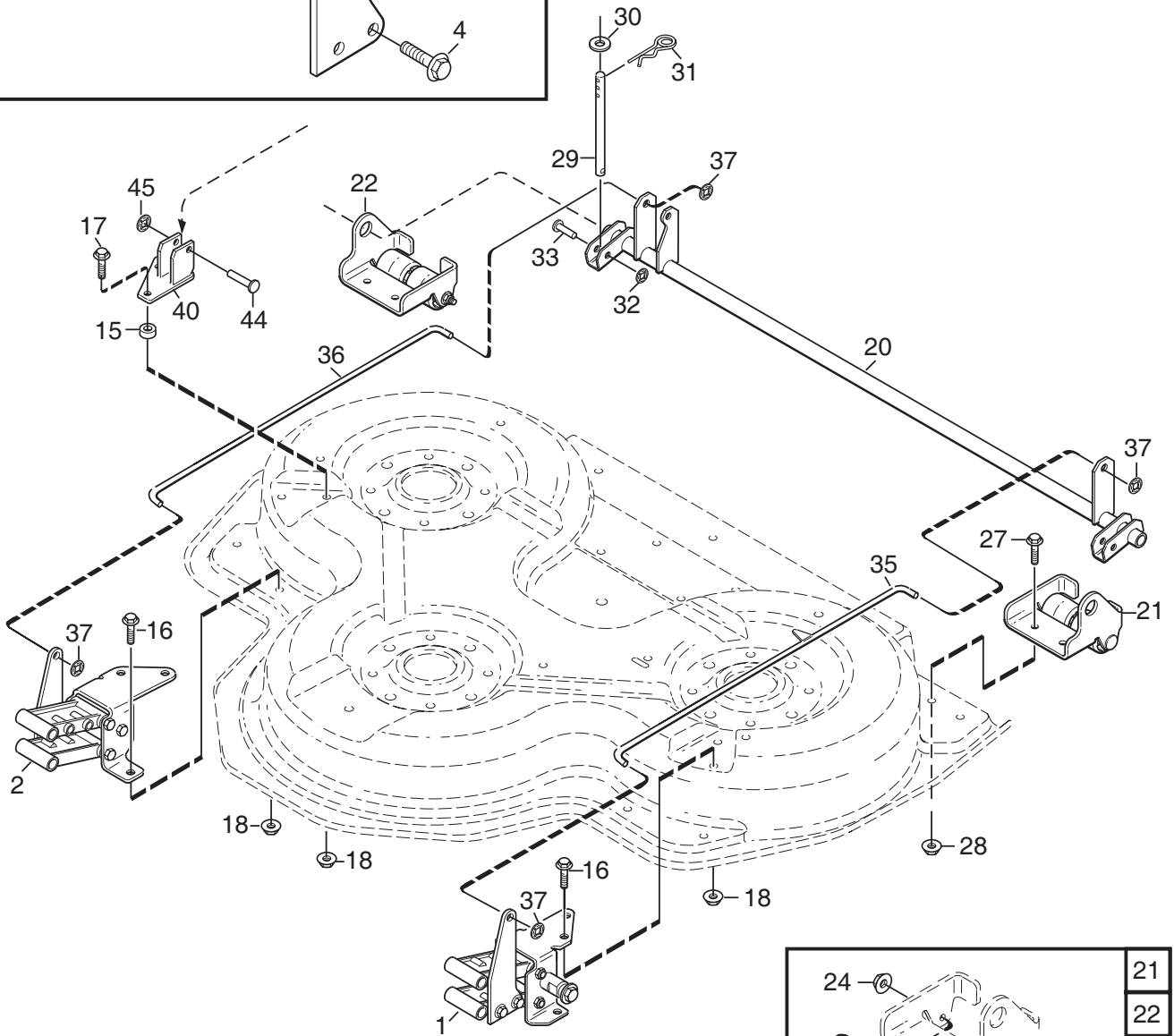
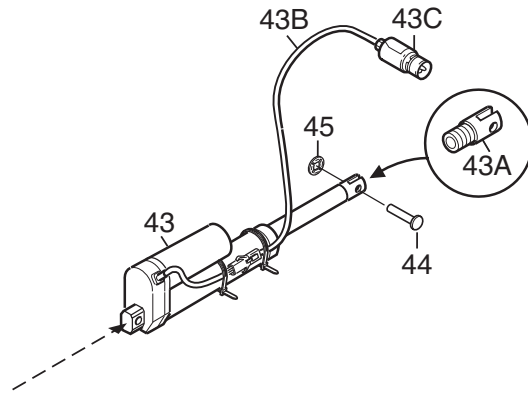
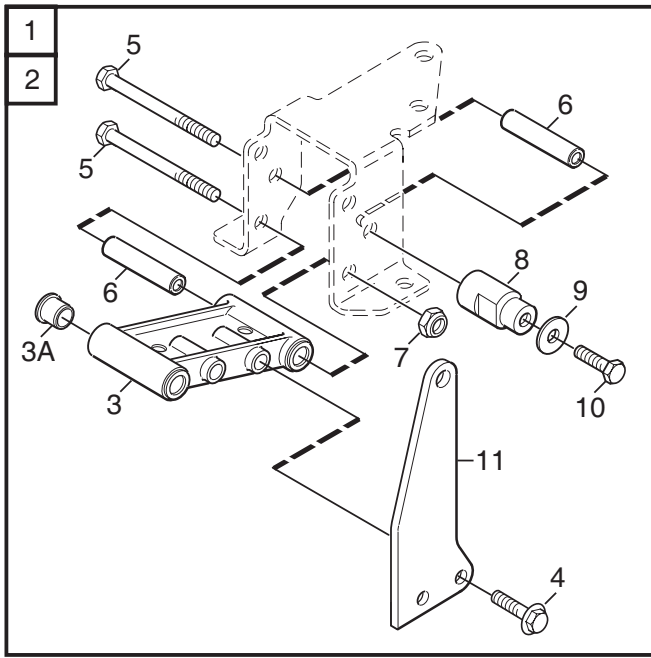
Utgåva Issue 2011-11		Bildnr Picture No 2760		PARK KLIPPAGGREGAT 100 COMBI 3 RAM		PARK MOWER DECK 100 COMBI 3 FRAME		Sida Page 204	
Pos. Fig.	Antal/Quantity				Art nr Part No	Benämning	Description	Sats Kit	Anmärkning Notes
	2977 2978 -31								
	1	2			1134-5884-01	Pivothjul	Pivot wheel		
	2	1			1134-9026-01	Lagerbussning.....	Bearing bush kit.....		Sats 4 st/kit of 4
	3	2			1134-5677-01	Distans	Spacer.....		
	4	2			9501-0500-00	Smörjnippel.....	Grease joint.....		
	5	2			9997-1090-12	Skruv	Screw.....		
	6	4			9699-0030-02	Planbricka.....	Flat washer.....		
	7	2			9747-1031-02	Låsmutter	Lock nut		
X	10	1			1137-0166-01	Aggregatsarm- vä	Mower deck arm- LH.....		
X	11	1			1137-0166-02	Aggregatsarm- hö.....	Mower deck arm- RH.....		
	12	2			9959-0816-16	Skruv	Screw.....		
	13	2			9699-0056-02	Planbricka.....	Flat washer.....		
X	20	1			1137-0141-01	Frontrör	Front tube		
	21	4			9997-0880-16	Skruv	Screw		
	22	4			9747-0831-02	Mutter.....	Lock nut		
X	23	4			1137-0151-01	Axel	Axle.....		
	40	2			1134-5528-01	Karbinhake.....	Snap hook.....		
	41	1			1134-6368-03	Kedja	Chain.....		12 links
	42	1			1134-6368-02	Kedja	Chain.....		7 links
	43	1			1134-2629-01	Lyftlänk.....	Lift link		
	44	1			1134-6365-02	Lyftfjäder	Lift spring		
	45	1			1134-2629-01	Lyftlänk.....	Lift link		



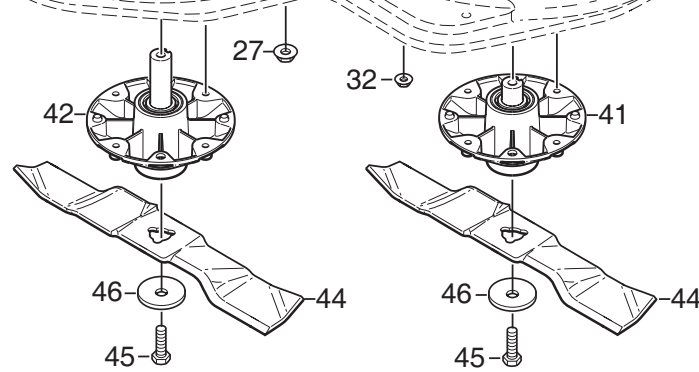
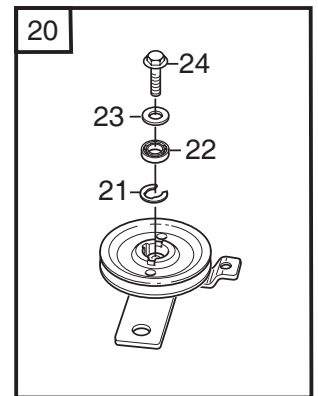
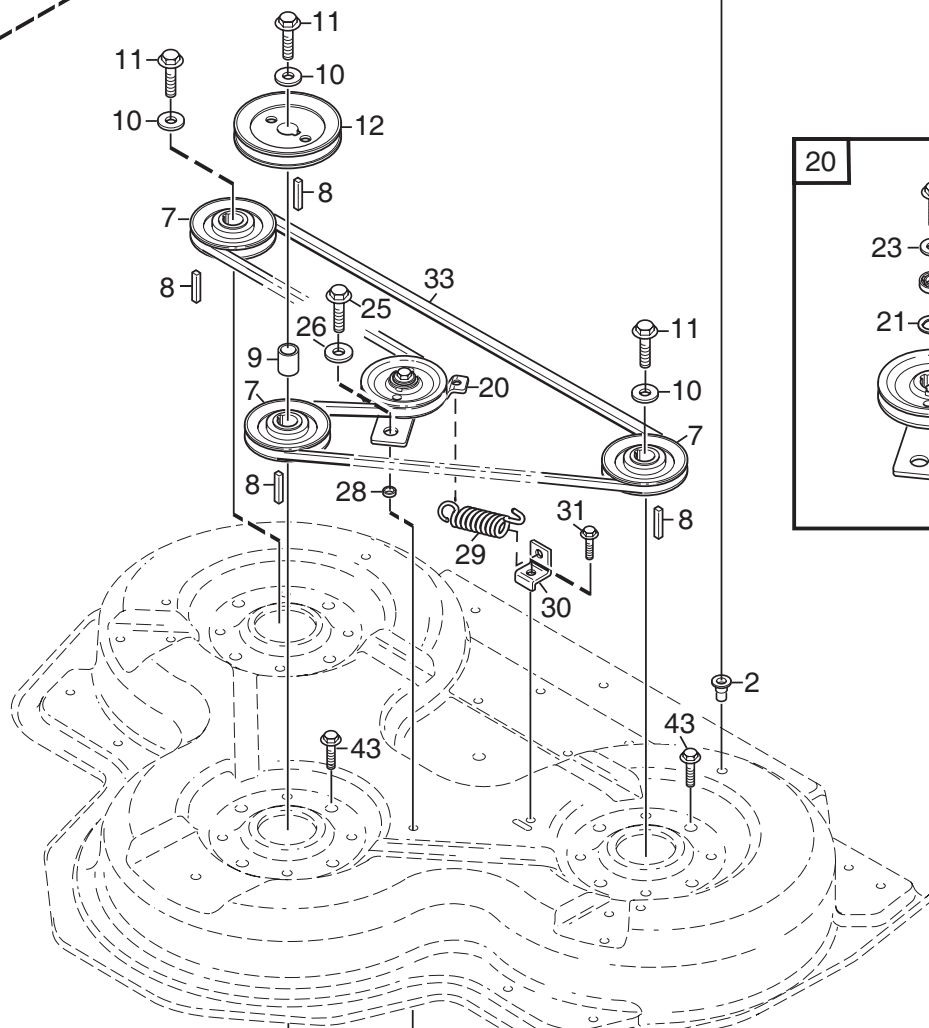
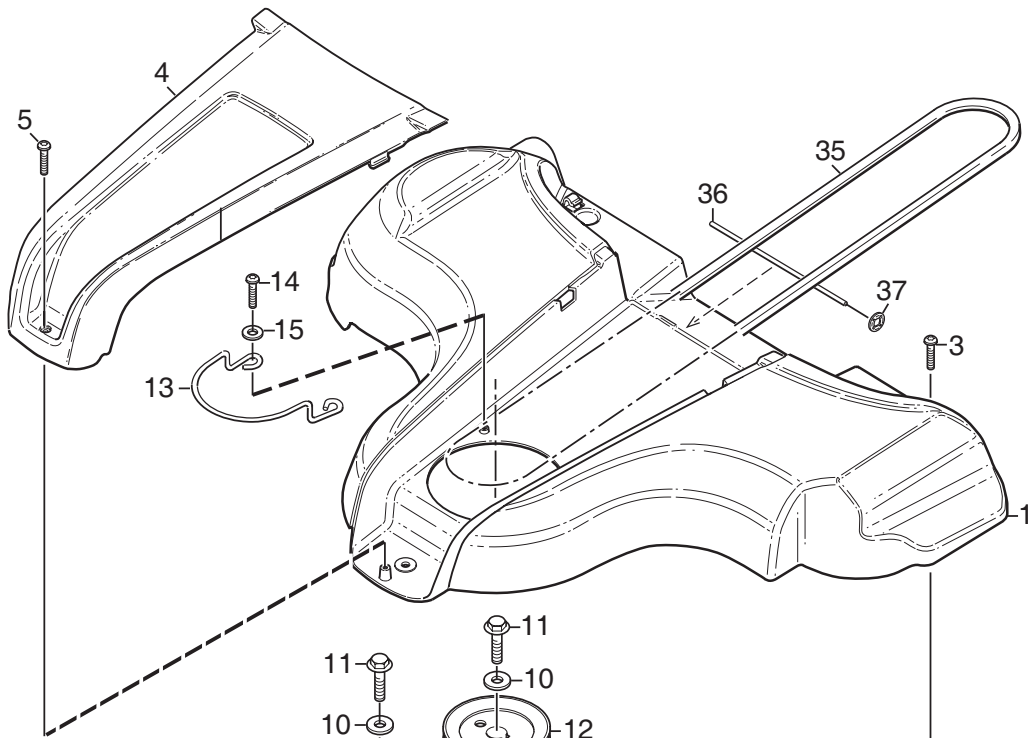
Utgåva Issue 2011-11		Bildnr Picture No 2759		PARK KLIPPAGGREGAT 100 COMBI 3 KÅPA		PARK MOWER DECK 100 COMBI 3 CASING		Sida Page 206	
Pos. Fig.	Antal/Quantity				Art nr Part No	Benämning	Description	Sats Kit	Anmärkning Notes
	2977 2978 -31								
X	1	1			1137-0140-01	Kåpa	Mower deck casing		Inkl. pos 2
	2	1			1134-5595-01	• Nitmutter	• Riveting nut		
	3	1			1134-6281-03	Gummiskydd	Rubber guard		
	4	3			9959-0816-16	Skruv	Screw		
	5	3			1134-4185-01	Ansatsbricka	Flange washer		
	6	3			9739-0831-22	Mutter	Nut		
X	10	1			1137-0163-01	Mulcherplugg	Mulching plug		
	12	1			9959-0816-16	Skruv	Screw		
X	14	2			1137-0244-01	Ledskena	Guide plate		
	15	4			9945-0825-16	Skruv	Screw		
	16	4			9739-0831-22	Mutter	Nut		
X	17	1			1137-0245-01	Slitskydd- vä	Wear plate- LH		
X	18	1			1137-0245-02	Slitskydd- hö	Wear plate- RH		
	99	1			1134-5594-02	Dekalsats	Label kit		



Utgåva Issue 2011-11		Bildnr Picture No 2761		PARK KLIPPAGGREGAT 100 COMBI 3 REGLAGE		PARK MOWER DECK 100 COMBI 3 CONTROLS		Sida Page 208	
Pos. Fig.	Antal/Quantity				Art nr Part No	Benämning	Description	Sats Kit	Anmärkning Notes
	2977 -31								
X	1	1			1137-0201-01	Länksystem- vä.....	Linkage- LH		Inkl. pos 3 - 11 Inkl. pos 3 - 11 Inkl. pos 3A Sats 8 st/kit of 8
X	2	1			1137-0201-02	Länksystem- hö	Linkage- RH		
X	3	2			1137-0199-01	• Länkkarm	• Slewing bracket.....		
X	3A	1			1134-9155-01	•• Bussning	•• Bushing		
	4	2			9997-0820-16	• Skruv	• Screw		
	5	3			9997-0880-16	• Skruv	• Screw		
X	6	3			1137-0151-01	• Axel.....	• Axle		
	7	2			9747-0831-02	• Mutter	• Lock nut		
X	8	1			1137-0154-01	• Distans	• Spacer		
	9	1			9699-0056-02	• Planbricka	• Flat washer		
	10	1			9997-0820-16	• Skruv	• Screw		
X	11	1			1137-0200-01	• Pivotplatta.....	• Pivot plate		
X	15	1			1137-0155-01	Distans	Spacer		
	16	8			9959-0816-16	Skruv	Screw		
	17	1			9997-0840-12	Skruv	Screw		
	18	9			9739-0831-22	Mutter	Nut		
	20	1			1134-6197-01	Bakaxel- gul	Rear axle- yellow		
	21	1			1134-6282-01	Rulle- vä, m- fäste	Roller- LH, w/bracket	Inkl. pos 22 - 26 Inkl. pos 22 - 26	
	22	1			1134-6282-02	Rulle- hö, m- fäste	Roller- RH, w/bracket.....		
	23	1			9897-0813-02	• Skruv	• Screw		
	24	1			9739-0831-22	• Mutter.....	• Nut		
	25	1			1134-4318-01	• Hylsa	• Wheel axle.....		
	26	1			1134-9126-01	• Rulle	• Roller	Sats 2 st/kit of 2	
	27	4			9959-0816-16	Skruv	Screw		
	28	4			9739-0831-22	Mutter	Nut		
	29	2			1134-6198-01	Pinne	Stud		
	30	2			9699-0104-02	Bricka	Washer		
	31	2			9598-2001-02	Låsnål	Spring pin		
	32	2			9675-0012-02	Starlock	Locking washer		
	33	2			9646-0098-22	Nit.....	Rivet		
X	35	1			1137-0159-01	Tryckstång	Push rod		
X	36	1			1137-0160-01	Tryckstång	Push rod		
	37	4			9675-0015-02	Starlock	Lock washer		
X	40	1			1137-0259-01	Höjdinst.segment	Height adj. quadrant.....		
	41	1			9959-0816-16	Skruv	Screw		
	42	1			9739-0831-22	Mutter	Nut		
	43	1			1134-6244-01	Höjdinst.spak- grå	Height adj.lever- grey		
	44	1			1134-6254-01	Spärr	Catch		
	45	1			1134-5444-01	Tryckstång	Push rod		
	46	1			1134-5445-01	Fjäder	Spring		
	47	1			1134-5503-01	Handtag	Handle		
	48	1			9699-0087-02	Planbricka	Flat washer		
	49	1			1134-3051-01	Spärrknapp	Locking knob		
	50	1			1134-6286-03	Distans	Spacer		
	51	1			1134-1565-16	Distans	Spacer		
	52	2			9646-0105-22	Nit.....	Rivet		
	53	2			9672-0006-02	Starlock	Lock washer		
	54	1			9997-0850-12	Skruv	Screw		
	55	1			9747-0831-02	Mutter	Lock nut		



Utgåva Issue 2011- 11		Bildnr Picture No 2762		PARK KLIPPAGGREGAT 100 COMBI 3 EL.REGLAGE		PARK MOWER DECK 100 COMBI 3 EL.CONTROLS		Sida Page 210	
Pos. Fig.	Antal/Quantity				Art nr Part No	Benämning	Description	Sats Kit	Anmärkning Notes
	2978 -31								
X	1	1			1137-0201-01	Länksystem- vä.....	Linkage- LH		Inkl. pos 3 - 11 Inkl. pos 3 - 11 Inkl. pos 3A Sats 8 st/kit of 8
X	2	1			1137-0201-02	Länksystem- hö	Linkage- RH		
X	3	2			1137-0199-01	• Länkkarm	• Slewing bracket.....		
X	3A	1			1134-9155-01	•• Bussning	•• Bushing		
	4	2			9997-0820-16	• Skruv	• Screw		
	5	3			9997-0880-16	• Skruv	• Screw		
X	6	3			1137-0151-01	• Axel.....	• Axle		
	7	2			9747-0831-02	• Mutter	• Lock nut		
X	8	1			1137-0154-01	• Distans	• Spacer		
	9	1			9699-0056-02	• Planbricka	• Flat washer		
	10	1			9997-0820-16	• Skruv	• Screw		
X	11	1			1137-0200-01	• Pivotplatta.....	• Pivot plate		
X	15	1			1137-0155-01	Distans	Spacer		
	16	8			9959-0816-16	Skruv	Screw		
	17	1			9997-0840-12	Skruv	Screw		
	18	9			9739-0831-22	Mutter.....	Nut		
	20	1			1134-6197-01	Bakaxel- gul	Rear axle- yellow		
	21	1			1134-6282-01	Rulle- vä, m- fäste	Roller- LH, w/bracket	Inkl. pos 22 - 26 Inkl. pos 22 - 26	
	22	1			1134-6282-02	Rulle- hö, m.fäste	Roller- RH, w/bracket.....		
	23	1			9897-0813-02	• Skruv	• Screw		
	24	1			9739-0831-22	• Mutter.....	• Nut		
	25	1			1134-4318-01	• Hylsa.....	• Wheel axle.....		
	26	1			1134-9126-01	• Rulle	• Roller	Sats 2 st/kit of 2	
	27	4			9959-0816-16	Skruv	Screw		
	28	4			9739-0831-22	Mutter.....	Nut		
	29	2			1134-6198-01	Pinne	Stud		
	30	2			9699-0104-02	Bricka	Washer.....		
	31	2			9598-2001-02	Låsnål.....	Spring pin		
	32	2			9675-0012-02	Starlock	Locking washer		
	33	2			9646-0098-22	Nit.....	Rivet.....		
X	35	1			1137-0162-01	Tryckstång	Push rod		
X	36	1			1137-0160-01	Tryckstång	Push rod		
	37	4			9675-0015-02	Starlock	Lock washer		
X	40	1			1137-0168-01	Fäste	Bracket		
	43	1			1134-6417-01	Ställdon	Actuator		
	43A	1			1134-6373-01	• Kolvstångsända	• Rod end	L = 490 mm	
	43B	1			1134-6418-02	• Kabel.....	• Cable		
	43C	1			1134-6182-01	•• Hankontakt.....	•• Male terminal		
	44	2			9646-0098-22	Nit.....	Rivet.....		
	45	2			9675-0012-02	Starlock	Locking washer		



Utgåva Issue		Bildnr Picture No		PARK KLIPPAGGREGAT 100 COMBI 3 TRANSMISSION		PARK MOWER DECK 100 COMBI 3 TRANSMISSION		Sida Page	
2011-11		2758						212	
Pos. Fig.	Antal/Quantity				Art nr Part No	Benämning	Description	Sats Kit	Anmärkning Notes
	2977	2978	-31						
X	1	1			1137-0156-01	Transmissionskåpa	Transmission casing		
	2	3			1134-5595-01	• Nitmutter	• Riveting nut		
	3	3			9945-0825-16	Skruv	Screw		
X	4	1			1137-0157-01	Täckkåpa	Cover		
	5	1			9838-9516-12	Skruv	Screw		
X	7	3			1137-0015-01	Remskiva	Belt pulley		
	8	4			9600-0171-01	Plattkil	Flat key		
	9	1			1134-5400-03	Distans	Spacer		
	10	3			1134-5406-01	Bricka	Washer		
	11	3			9997-1060-12	Skruv	Screw		
X	12	1			1137-0016-01	Remskiva	Belt pulley		Ø = 140 mm
X	13	1			1137-0158-01	Remstyrning	Belt guide		
	14	2			9838-9516-12	Skruv	Screw		
	15	2			9699-0087-02	Planbricka	Flat washer		
	20	1			1134-7611-01	Spännrulle kpl.	Tension roller assy		Inkl. pos 21 - 24
	21	1			9651-0035-04	• Låsring	• Lock ring		
X	22	1			9549-0061-01	• Kullager	• Ball bearing		
	23	1			9699-0056-02	• Planbricka	• Flat washer		
	24	1			9945-0816-16	• Skruv	• Screw		
	25	1			9959-0816-16	Skruv	Screw		
	26	1			9699-0109-02	Planbricka	Flat washer		
	27	1			9739-0831-22	Mutter	Nut		
	28	1			1134-7618-01	Distans	Spacer		
	29	1			1134-0327-00	Kåpfjäder	Spring		
	30	1			1134-5415-01	Fjäderfäste	Spring attachment		
	31	1			9959-0816-16	Skruv	Screw		
	32	1			9739-0831-22	Mutter	Nut		
	33	1			1134-9066-01	Drivrem	Drive belt		= 9585-0125-01
X	35	1			1134-9156-01	Drivrem (2WD)	Drive belt (2WD)		= 9585-0205-01
X	35	1			1134-9157-01	Drivrem (4WD)	Drive belt (4WD)		= 9585-0206-01
X	36	1			1137-0171-01	Stång	Rod		
	37	2			9675-0009-02	Starlock	Starlock		
	41	2			1134-5831-01	Lagerbox kpl.	Bearing box assy		
	42	1			1134-5831-02	Lagerbox kpl.	Bearing box assy		
	43	12			9945-0825-16	Skruv	Screw		
X	44	1			1134-9158-01	Knivsats	Blade kit		Sats 3 st/kit of 3
	45	3			9997-1060-12	Skruv	Screw		
	46	3			1134-6211-01	Knivbricka	Blade washer		