

Genuine Spare Parts

www.stiga.com

TITAN

includes:

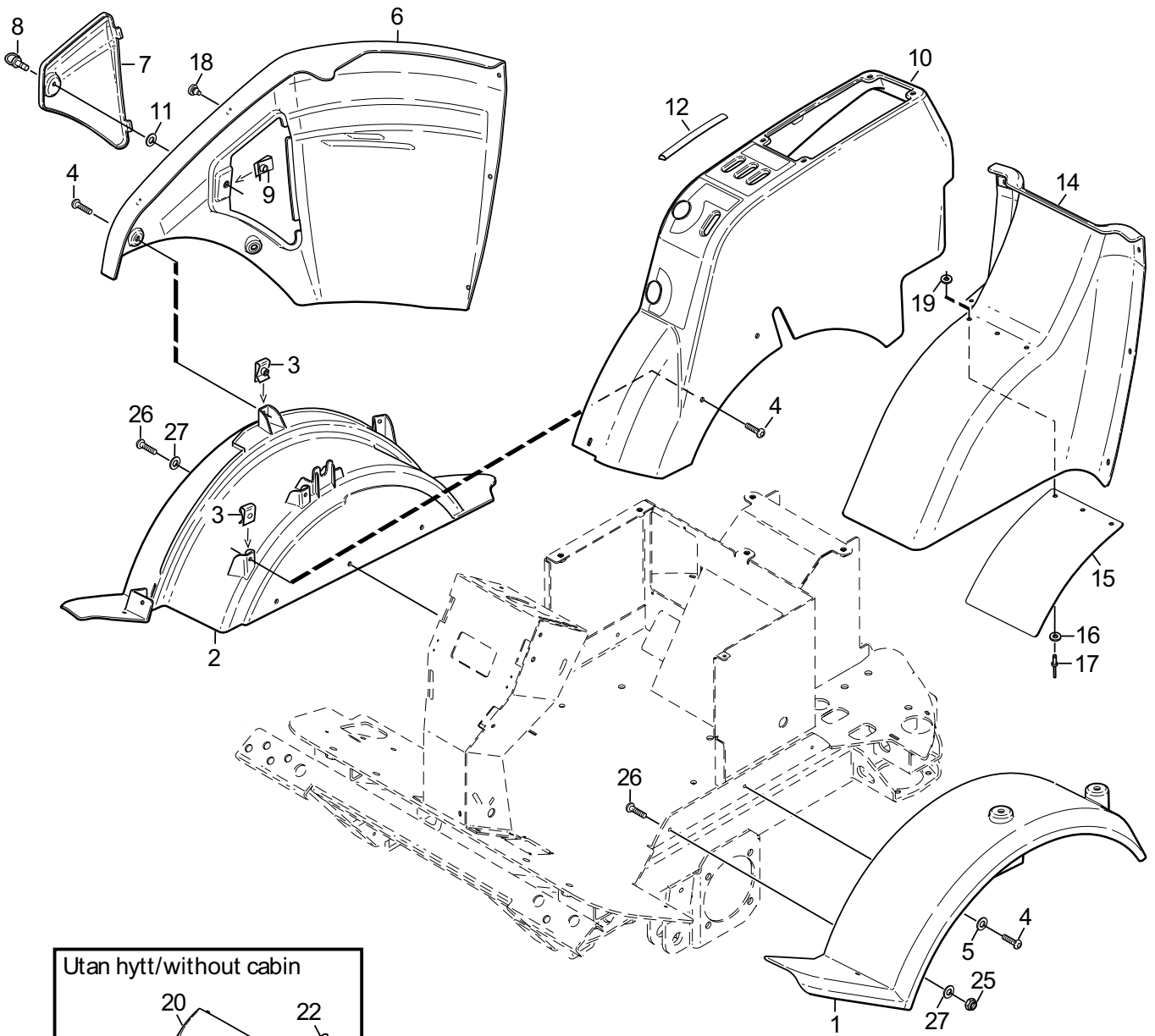
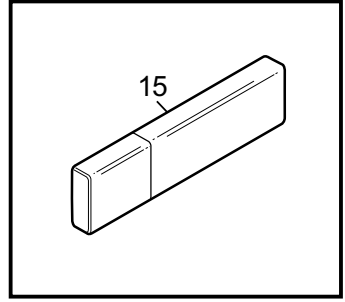
Titan 540 D
Titan 740 D
Titan 740 DC
Titan 740 DCR

- Use GLOBAL GARDEN PRODUCT Genuine Spare Parts specified in the parts list for repair and/or replacement.
- The contents described in the parts list may change due to improvement.
- The drawings of the spare parts are only indicative and might not represent the part in question exactly.
- The indications "right" - "left" - "front" - "rear" refer to the position of the operator when using the machine.
- When placing orders of parts for repair and/or replacement, make sure that the illustrated parts list is the one applying to the machine's year of manufacture, as shown on the identification plate attached to the machine.

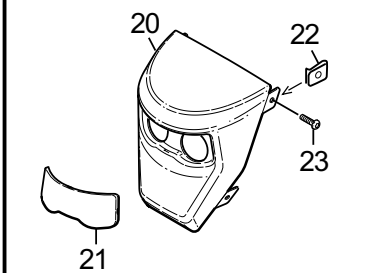
COPYRIGHT by GLOBAL GARDEN PRODUCTS

All rights reserved. No part of this material may be reproduced or transmitted, in any form or by any means, electronic or mechanical, including photocopying, recording or by any information storage and retrieval system, without permission in writing from GLOBAL GARDEN PRODUCTS.

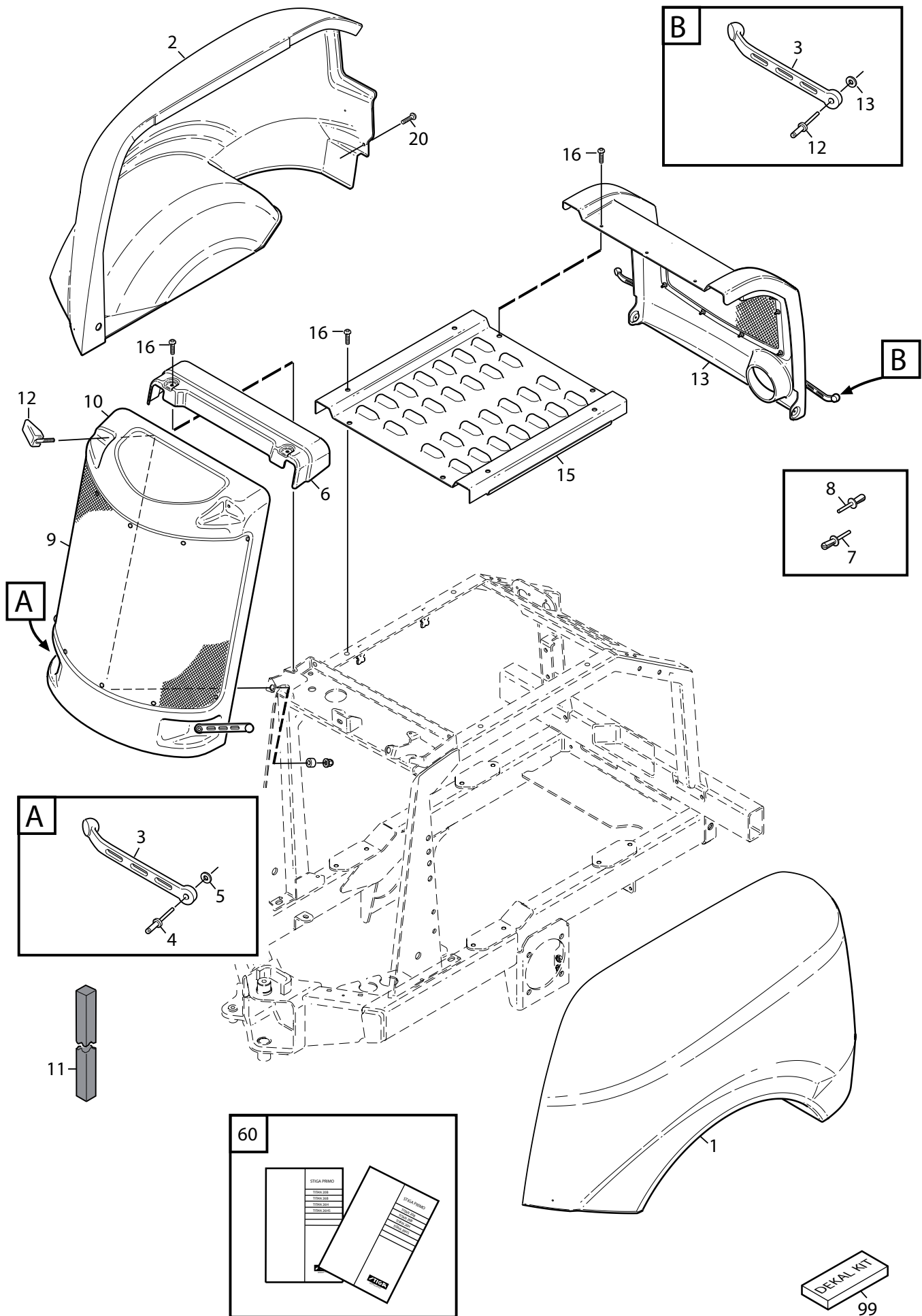




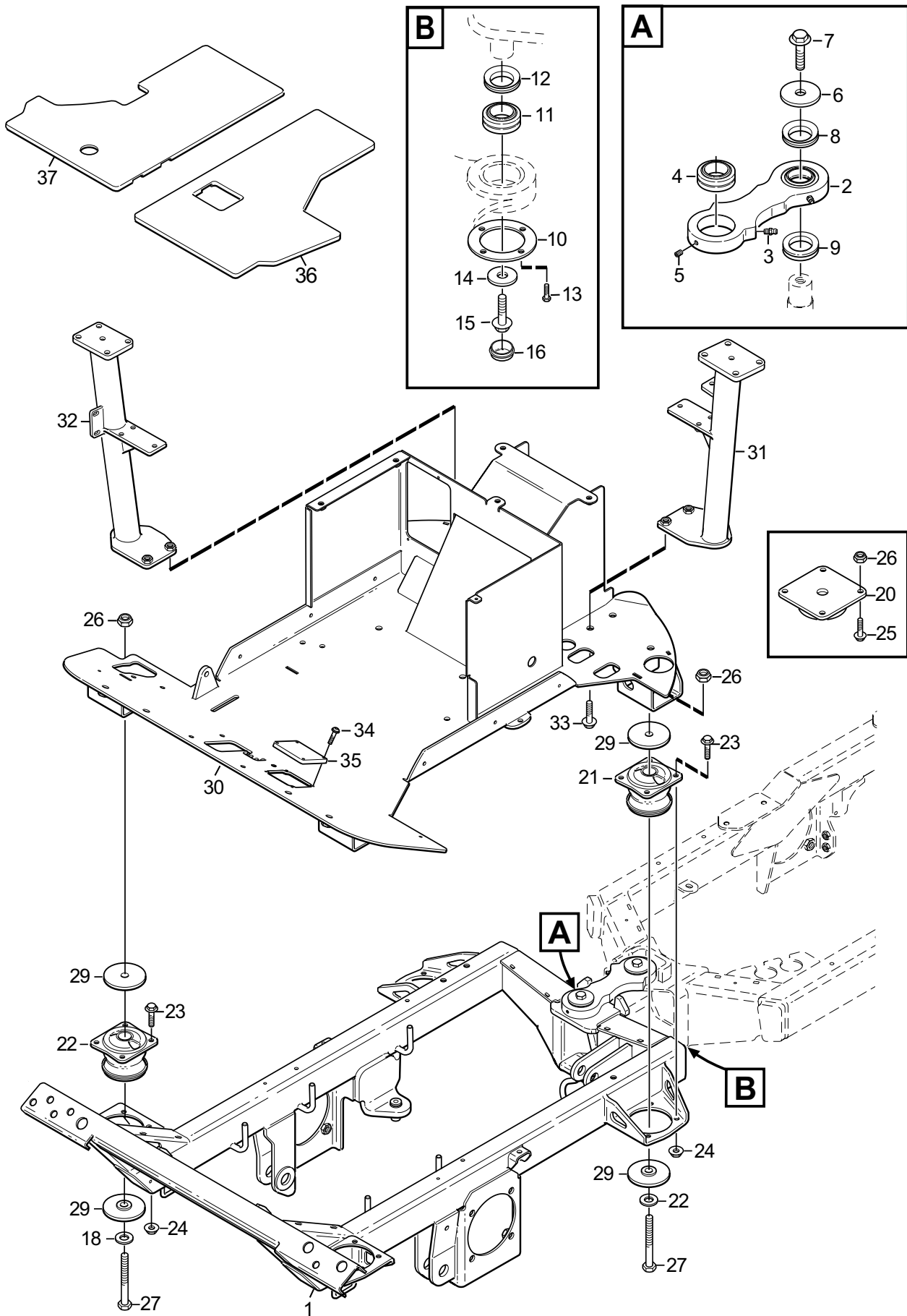
Utan hytt/without cabin



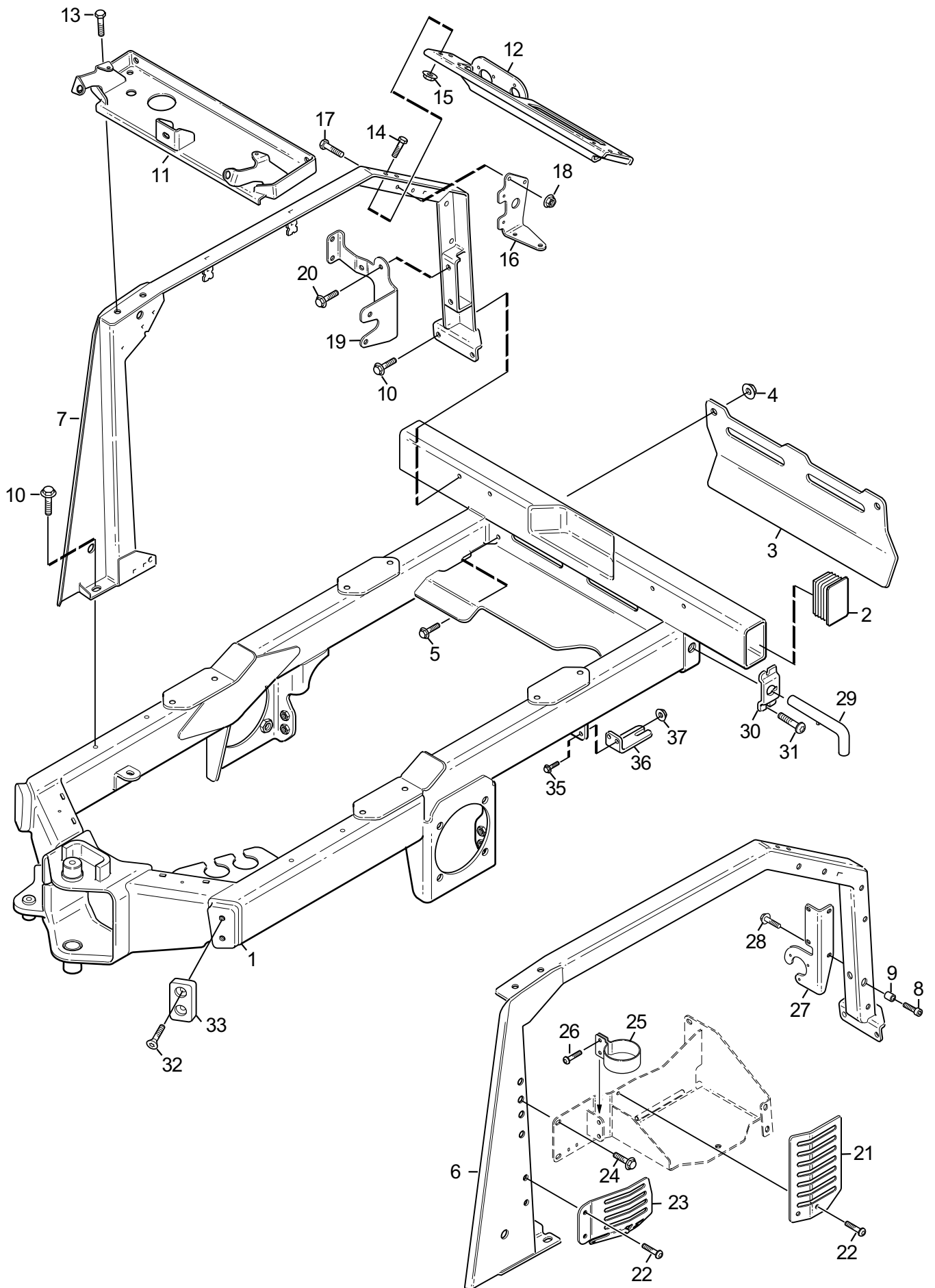
Utgåva Issue 2013-11		Bildnr Picture No Q-001		TITAN KAROSS-FRAM BODY WORK-FRONT			Sida Page 2		
Pos. Fig.	Antal/Quantity				Art nr Part No	Benämning	Description	Sats Kit	Anmärkning Notes
	7454	7460	7461	7462					
1	1	1	1	1	1135-3559-01	Framskärm-vä.....	Mudguard front-LH		
2	1	1	1	1	1135-3560-01	Framskärm-hö.....	Mudguard front-RH		
3	8	8	8	8	1134-4176-01	Clips.....	Clips		
4	15	15	15	15	9893-0616-16	Skruv.....	Screw.....		
5	6	6	6	6	9699-0060-02	Bricka	Washer.....		
6	1	1	1	1	1135-2502-01	Sidopanel.....	Side panel.....		
7	1	1	1	1	1135-2504-01	Inspektionslucka	Inspection cover		
8	1	1	1	1	1137-0453-01	Vridtapp	Fastener		
9	1	1	1	1	1137-0452-01	Clips.....	Clips		
10	1	1	1	1	1135-3565-04	Reglagepanel	Control panel.....		
11	1	1	1	1	1137-0454-01	Bricka	Washer.....		
12	0,35	0,35	0,35	0,35	084-237-01	Tätninglist	Seal strip.....		
13	2	2	2	2	084-305-01	Gummiplugg.....	Rubber plug.....		
14	1	1	1	1	1135-2505-01	Kåpa-bakre	Cover-rear		
15	1	1	1	1	1135-3495-01	Gummiduk.....	Rubber cloth.....		
16	6	6	6	6	9699-0120-02	Bricka	Washer.....		
17	3	3	3	3	9632-0516-00	Popnit.....	Pop rivet.....		
18	1	1	1	1	1137-0850-01	Varningstriangel.....	Warning triangle.....		
20	1	1			1135-2506-01	Frontkåpa.....	Front panel		w/o cabin/utan hytt
21	1	1			1135-2507-01	Frontglas	Front glass		w/o cabin/utan hytt
22	4	4			1134-4176-01	Clips.....	Clips		w/o cabin/utan hytt
23	4	4			9893-0616-16	Skruv.....	Screw.....		w/o cabin/utan hytt
24	2	2	2	2	9959-0620-16	Skruv.....	Screw.....		
25	2	2	2	2	9997-0631-02	Mutter	Nut.....		
26	2	2	2	2	9959-0820-16	Skruv.....	Screw.....		
27	2	2	2	2	9699-0056-02	Bricka	Washer.....		



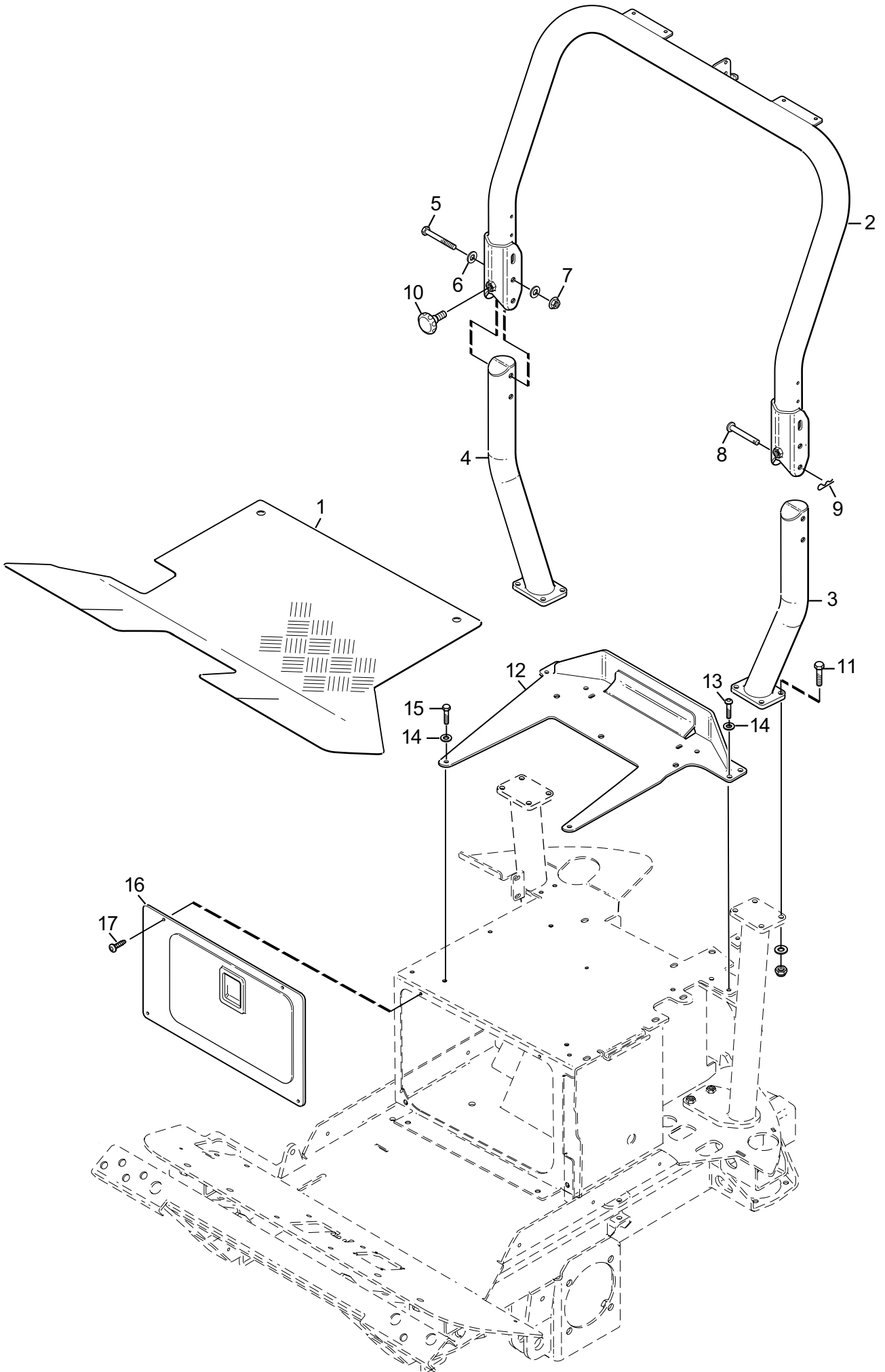
Utgåva Issue 2013-11		Bildnr Picture No Q-002		TITAN KAROSS-BAK BODY WORK-REAR			Sida Page 4		
Pos. Fig.	Antal/Quantity				Art nr Part No	Benämning	Description	Sats Kit	Anmärkning Notes
	7454	7460	7461	7462					
1	1	1	1		1137-0715-01	Huvsida-vä.....	Hood cover-LH.....		
1	1	1		1	1137-0715-02	Huvsida-vä.....	Hood cover-LH.....		
2	1	1	1		1337-0716-01	Huvsida-hö.....	Hood cover-RH.....		
2				1	1337-0716-02	Huvsida-hö.....	Hood cover-RH.....		
3	4	4	4	4	1134-2143-01	Gummistropp.....	Rubber loop.....		
4	4	4	4	4	9632-0513-00	Popnit.....	Pop rivet.....		3,2 x 20
5	4	4	4	4	9699-0120-02	Bricka.....	Washer.....		
6	1	1	1	1	1137-0645-01	Huv övre.....	Hood upper.....		
7	26	26	26	26	085-044-01	Plastnit.....	Plastic rivet.....		
8	26	26	26	26	9699-0002-02	Bricka.....	Washer.....		
9	1	1	1	1	1137-0643-01	Nät-främre.....	Net-front.....		
10	1	1	1	1	1137-0644-01	Huv-främre.....	Hood-front.....		
11	0,6	0,6	0,6	0,6	084-237-01	Tätninglist.....	Seal strip.....		
12	2	2	2	2	1135-3779-01	Huvlås kpl.....	Hood lock kit.....		
13	1	1	1	1	1137-0647-01	Huv-bakre.....	Hood-rear.....		
14	1	1	1	1	1137-0648-01	Nät-bakre.....	Net-rear.....		
15	1	1	1	1	1137-0659-01	Huvlock.....	Hood cover.....		
16	10	10	10	10	9893-0616-16	Skruv.....	Screw.....		
60	1	1	1	1		Bruksanvisning.....	Owners manual.....		As PDF
90	1	1	1	1		Dekal kit.....	Label kit.....		



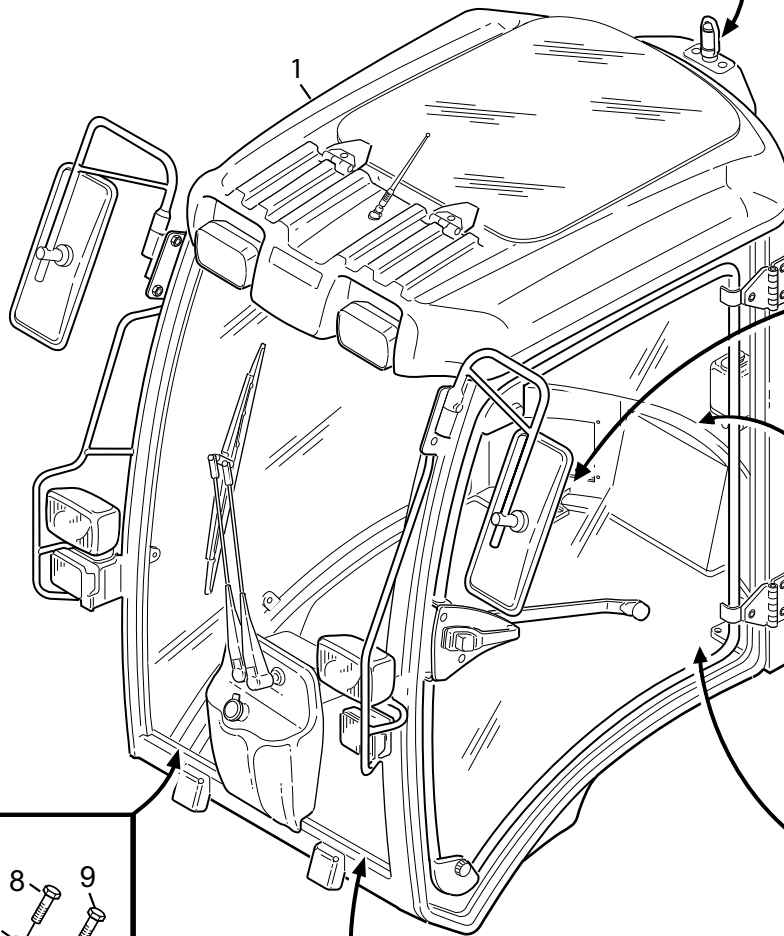
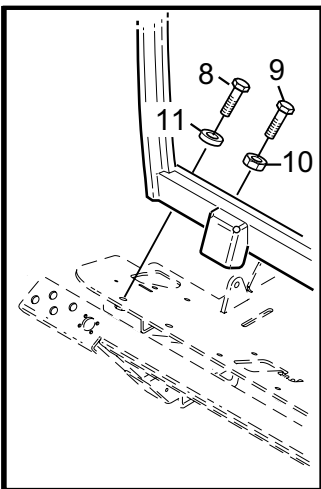
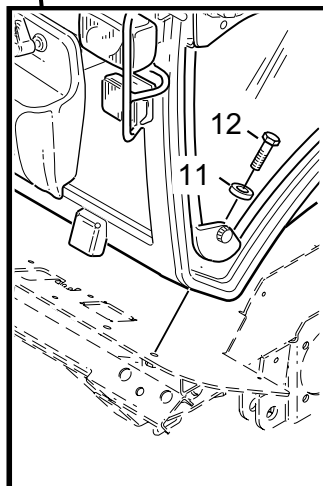
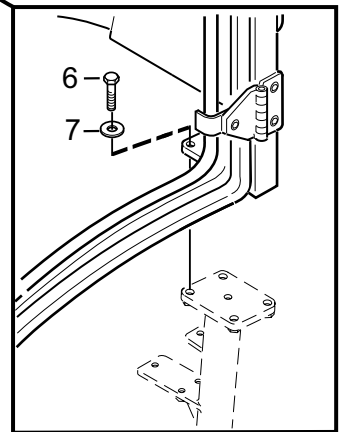
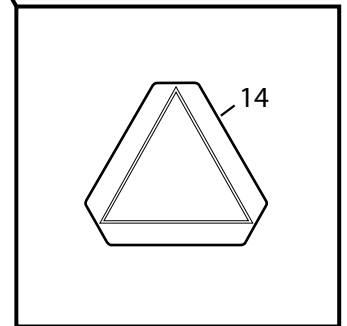
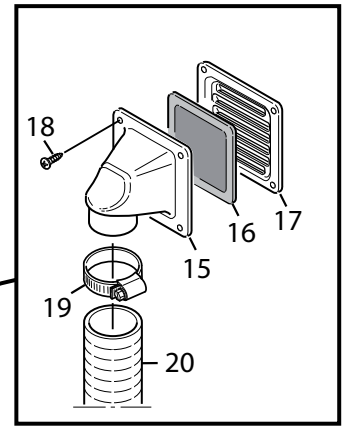
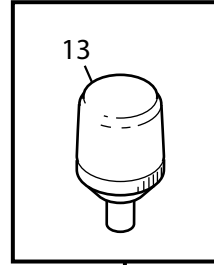
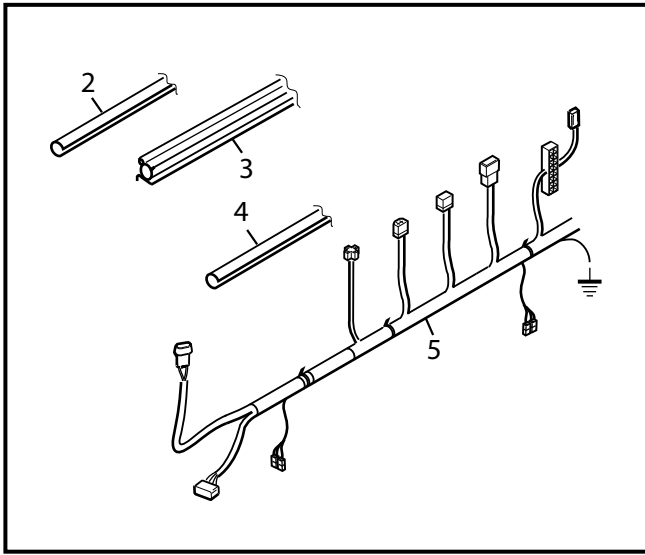
Utgåva Issue 2013-11		Bildnr Picture No Q-003		TITAN RAM-FRÄMRE FRAME-FRONT				Sida Page 6	
Pos. Fig.	Antal/Quantity				Art nr Part No	Benämning	Description	Sats Kit	Anmärkning Notes
	7454	7460	7461	7462					
1	1	1	1	1	1137-0459-01	Ram-främre.....	Frame-front		
2	1	1	1	1	1135-3018-01	Länk kpl.....	Link assy		Incl. 3-5
3	2	2	2	2	9501-0500-00	Smörjnippel	Grease joint		
4	2	2	2	2	9547-0006-01	Ledlager.....	Bearing		
5	2	2	2	2	9907-0610-16	Stoppskruv.....	Stop screw		
6	2	2	2	2	1134-4008-01	Bricka	Washer		V-ring
7	2	2	2	2	9959-1025-16	Skruv.....	Screw		
8	2	2	2	2	9402-0204-01	V-ring	V-ring		
9	2	2	2	2	9402-0203-01	V-ring	V-ring		
10	1	1	1	1	1135-4009-01	Låsbricka	Lock washer		
11	1	1	1	1	9547-0007-01	Ledlager.....	Bearing		
12	1	1	1	1	9402-0202-01	V-ring	V-ring		
13	4	4	4	4	9939-0820-16	Skruv.....	Screw		
14	1	1	1	1	1135-4010-01	Bricka	Washer		
15	1	1	1	1	9991-1024-19	Skruv.....	Screw		
16	1	1	1	1	1135-4007-01	Lock	Cover		
20	4	4			1137-0605-01	Distans bottenplatta	Spacer floor plate		w/o cabin
21			2	2	084-301-01	Hyttjämpare-bak	Cabin damper-rear		
22			2	2	084-302-01	Hyttjämpare-fram	Cabin damper-front		
23	16	16	16	16	9959-1025-16	Skruv.....	Screw		
24	16	16	16	16	9739-1031-22	Mutter	Nut		
25	4	4			081-384-01	Skruv.....	Screw		w/o cabin
26	4	4	4	4	9747-1631-02	Mutter	Nut		
27			4	4	082-202-01	Skruv.....	Screw		
28			4	4	9699-0123-02	Bricka	Washer		
29			4	4	084-303-01	Bricka	Washer		
30	1	1			1137-0548-01	Bottenplåt	Floor plate		
31	1	1	1	1	1137-0543-01	Infästning-vä.....	Attachment-LH		
32	1	1	1	1	1137-0544-01	Infästning-hö.....	Attachment-RH		
33	6	6	6	6	9959-1225-16	Skruv.....	Screw		
34	1	1	1	1	1135-3604-01	Siktönster.....	Aim window		
35	4	4	4	4	9943-0516-16	Skruv.....	Screw		
36	1	1	1	1	1137-0700-01	Durkmatta-vä.....	Floor mat-LH		With cabin
37	1	1	1	1	1137-0701-01	Durkmatta-hö.....	Floor mat-RH		With cabin



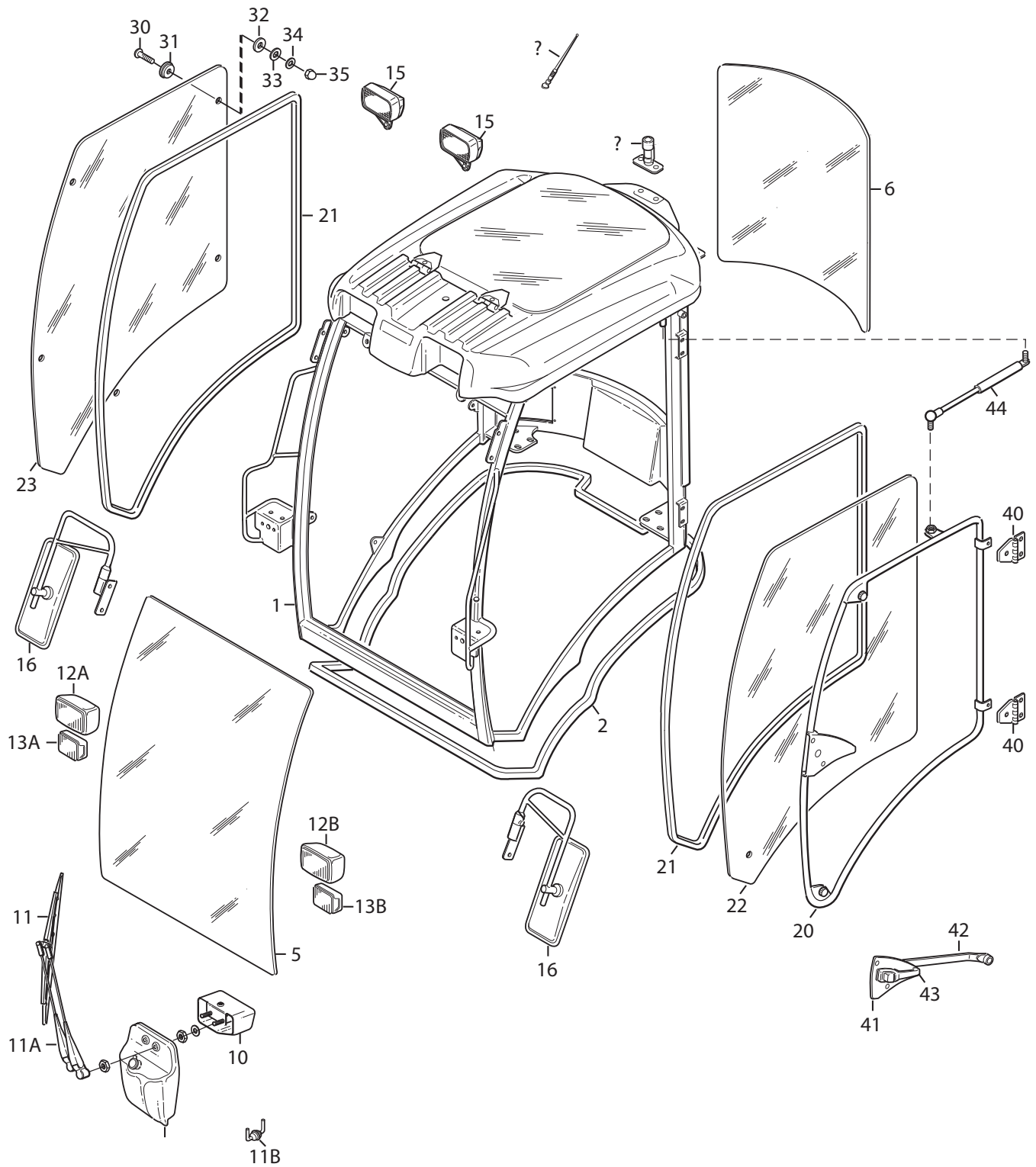
Utgåva Issue 2013-11		Bildnr Picture No Q-004		TITAN RAM-BAKRE				FRAME-REAR		Sida Page 8	
Pos. Fig.	Antal/Quantity				Art nr Part No	Benämning	Description	Sats Kit	Anmärkning Notes		
	7454	7460	7461	7462							
1	1	1	1	1	1137-0460-01	Ram-bakre	Frame-rear				
2	2	2	2	2	9403-0058-01	Ändavslut	End cap				
3	1	1	1	1	1137-0553-01	Värmskydd	Heat guard				
4	2	2	2	2	9739-0831-22	Mutter	Nut				
5	2	2	2	2	9959-0816-16	Skruv	Screw				
6	1	1	1	1	1137-0490-01	Lastram-vä	Load frame-LH				
7	1	1	1	1	1137-0489-01	Lastram-hö	Load frame-RH				
8	4	4	4	4	9939-1020-16	Skruv	Screw				
9	4	4	4	4	1134-0041-10	Distans	Spacer				
10	8	8	8	8	9959-1025-16	Skruv	Screw				
11	1	1	1	1	1137-0501-01	Tvärbalk-främre	Cross member-front				
12	1	1	1	1	1137-0508-01	Tvärbalk-bakre	Cross member-rear				
22	2	2	2	2	9893-0816-16	Skruv	Screw				
23	1	1	1	1	1137-0551-01	Remskydd	Belt protection		Generator		
29	2	2	2	2	1134-7525-01	Låssprint	Locking pin				
30	2	2	2	2	1134-7523-01	Låshållare	Bracket				
31	4	4	4	4	9943-0612-16	Skruv	Screw				
32	4	4	4	4	9924-0820-16	Skruv	Screw				
33	2	2	2	2	1135-3188-01	Styrstopp	Steering limit				
35	4	4	4	4	9959-0820-16	Skruv	Screw				
36	2	2	2	2	1137-0591-01	Ljuddämparfäste	Bracket, muffler				
37	4	4	4	4	9739-0831-22	Mutter	Nut				



Utgåva Issue 2013-11		Bildnr Picture No Q-005		TITAN RAM-ROPS		FRAME-ROPS		Sida Page 10	
Pos. Fig.	Antal/Quantity				Art nr Part No	Benämning	Description	Sats Kit	Anmärkning Notes
	7454	7460	7461	7462					
1	1	1			1135-2527-02	Durkmatta	Floor mat		
2	1	1			1137-0583-01	Övre del	Upper part		
3	1	1			1137-0586-01	Fäste-vä	Bracket-LH		
4	1	1			1137-0587-01	Fäste-hö	Bracket-RH		
5	2	2			9997-1290-12	Skruv	Screw		
6	4	4			081-670-01	Bricka	Washer		
7	2	2			9747-1231-02	Mutter	Nut		
8	2	2			1134-7565-01	Cylindrisk bult	Bolt		
9	2	2			9598-0002-02	Fjäderpinne	Spring pin		
10	2	2			1134-7561-01	Lås ratt	Locking knob		
11	8	8			9939-1030-16	Skruv	Screw		
12	1	1			1137-0696-01	Förstärkning	Reinforcement		
13	3	3			9959-1025-16	Skruv	Screw		
14	4	4			9699-0030-02	Bricka	Washer		
15	1	1			9997-1050-16	Skruv	Screw		

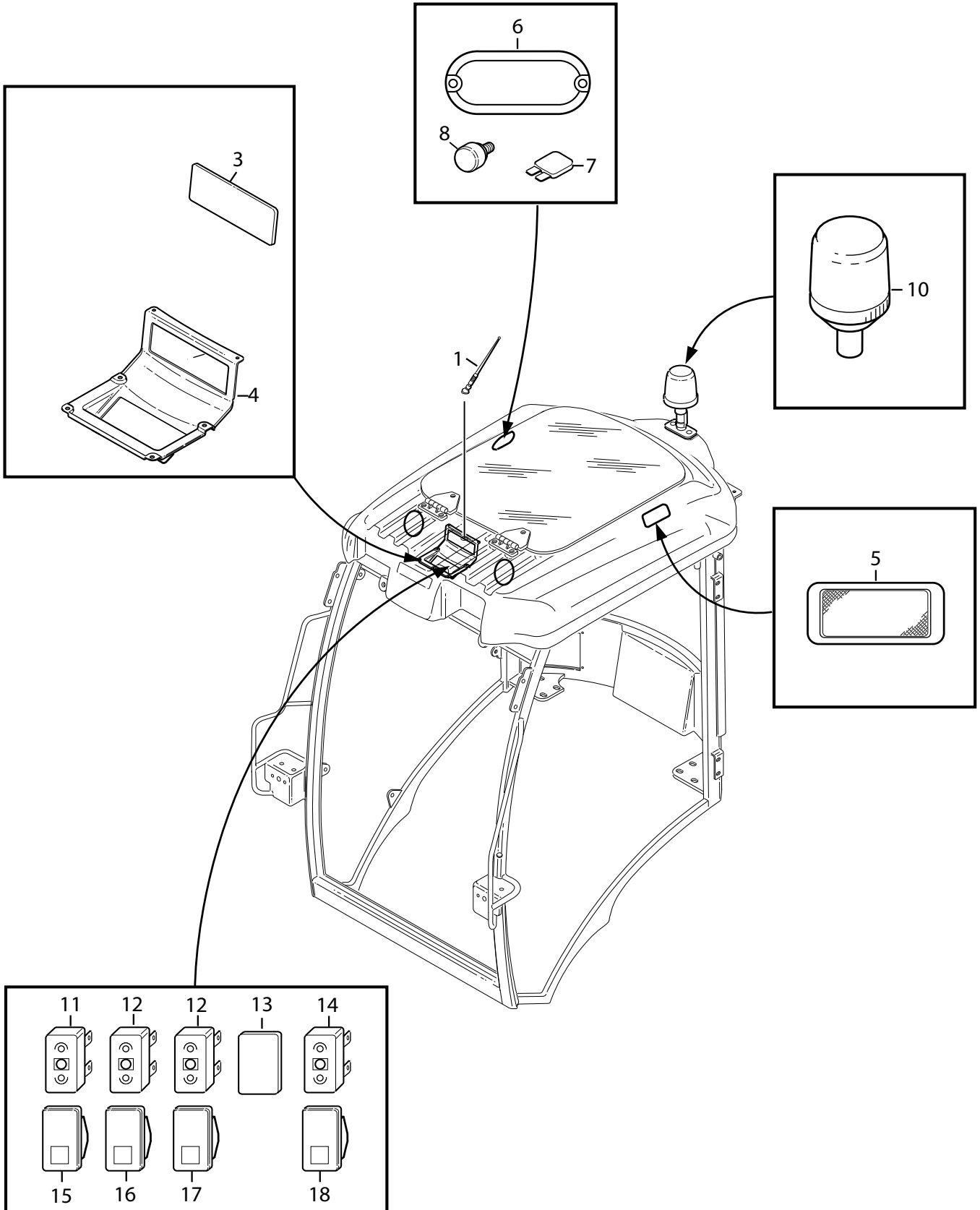


Utgåva Issue 2013-11		Bildnr Picture No Q-006		TITAN HYTT CABIN			Sida Page 12		
Pos. Fig.	Antal/Quantity				Art nr Part No	Benämning	Description	Sats Kit	Anmärkning Notes
	7454	7460	7461	7462					
1			1	1	1137-0734-01	Hytt kpl.....	Cabin assy		Finished product
2			1	1	1135-3967-01	Tätninglist	Seal strip.....		
3			2	2	1135-3768-01	Tätninglist	Seal strip.....		
4			0,75	0,75	084-237-01	Tätninglist	Seal strip.....		
5			1	1	1319-1115-01	Kablage hytt.....	Harness cabin		
6			8	8	9997-1035-16	Skruv.....	Screw.....		
7			8	8	084-232-01	Bricka	Washer.....		
8			1	1	9997-1030-16	Skruv.....	Screw.....		
9			1	1	9997-1040-16	Skruv.....	Screw.....		
10			1	1	9739-1031-22	Mutter	Nut.....		
11			4	4	9699-0035-02	Bricka	Washer.....		
12			2	2	9997-1035-16	Skruv.....	Screw.....		
13				1	082-688-01	Roterande varningsljus	Beacon.....		
14			1	1	13-7962-11	LGF dekal.....	SMW label		
15			1	1	1319-1169-01	Luftintag	Air intake		
16			1	1	1319-1171-01	Luftfilter	Air filter		
17			1	1	1319-1170-01	Filterfäste.....	Filter grid		
18			8	8	9893-0616-16	Skruv.....	Screw.....		
19			2	2	085-018-01	Slangklämma	Hose clamp.....		
20			1	1	1135-2954-01	Slang	Hose		

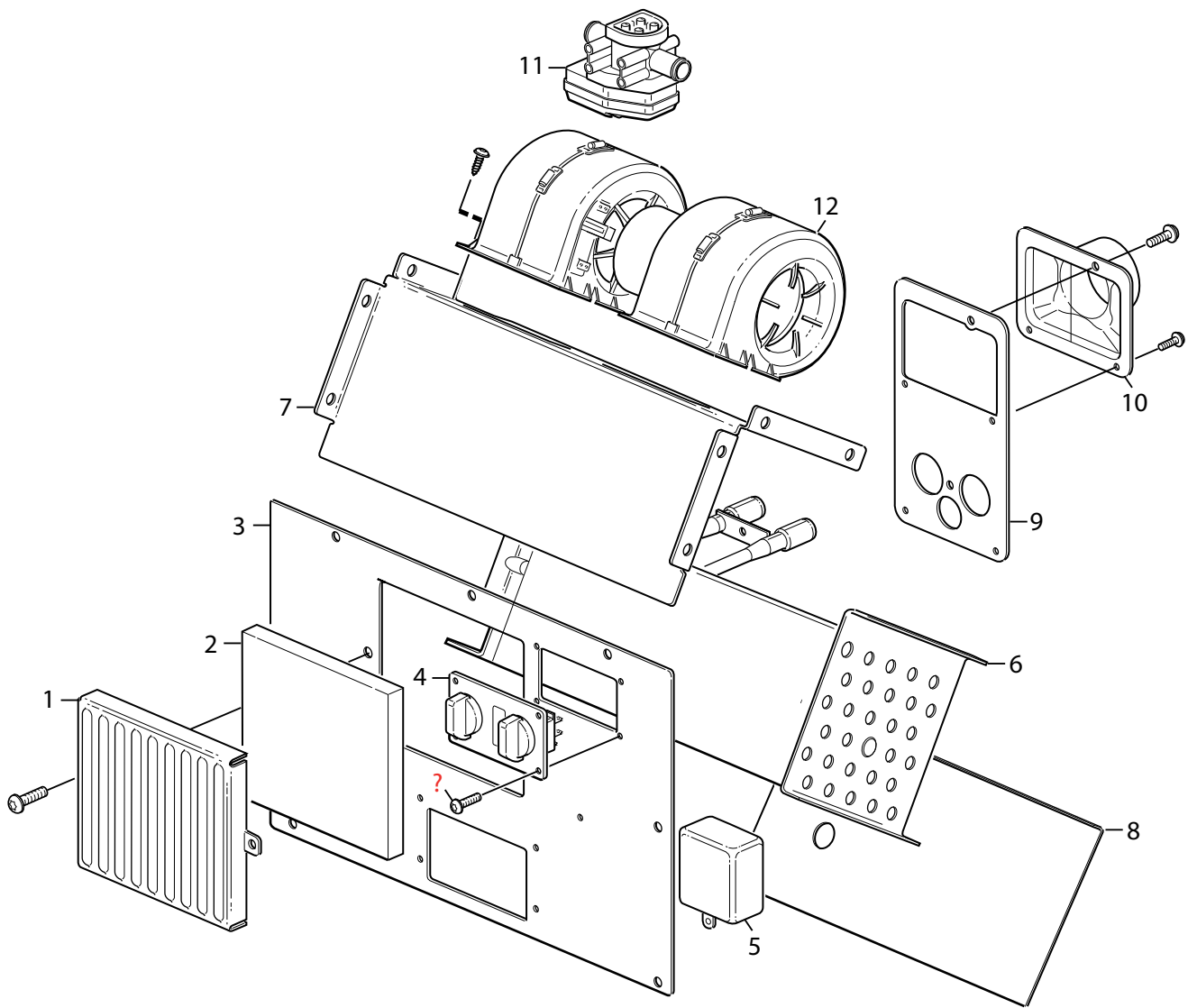


HYTT 2

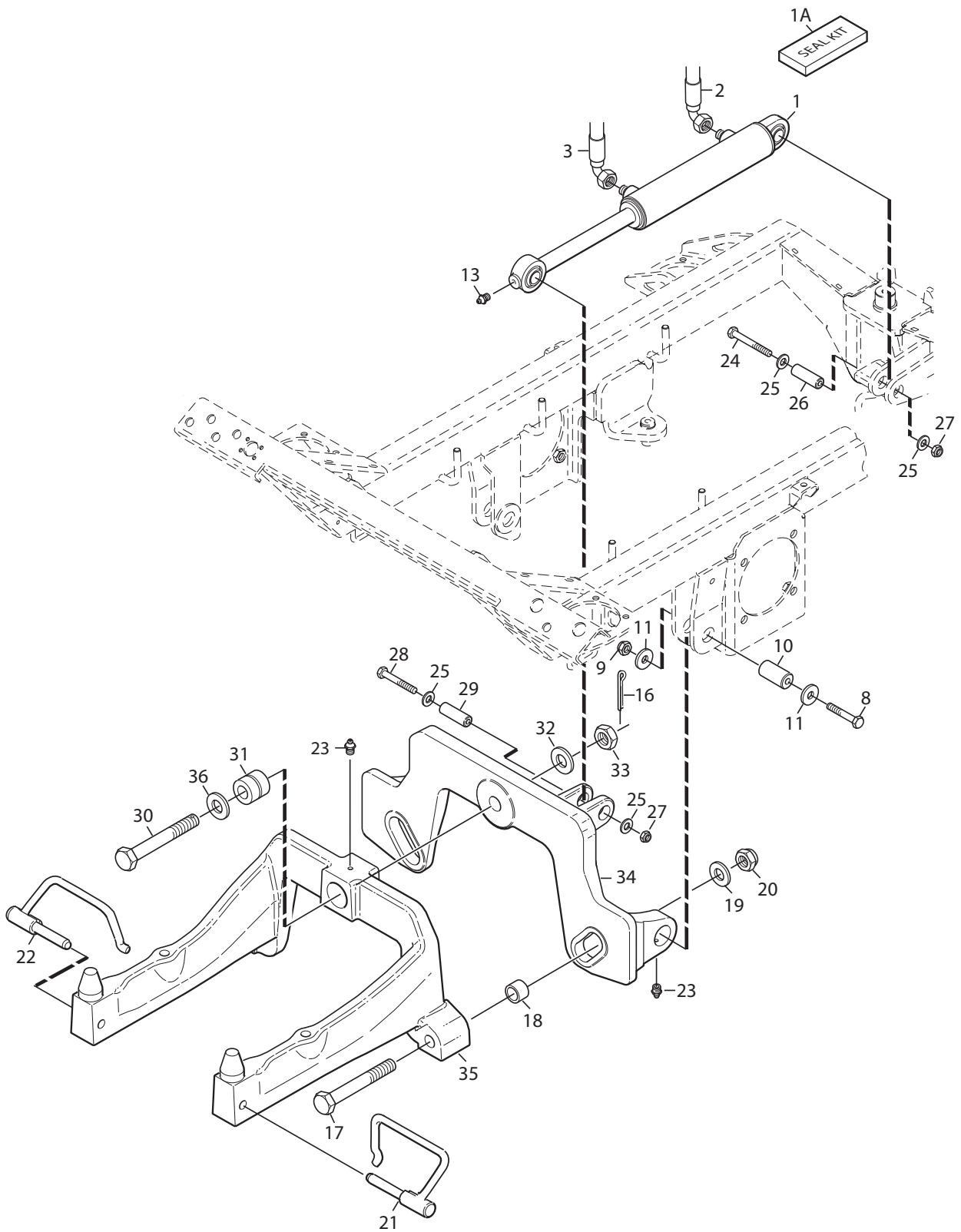
Utgåva Issue		Bildnr Picture No		TITAN HYTT			CABIN		Sida Page	
2013-11		Q-030							14	
Pos. Fig.	Antal/Quantity				Art nr Part No	Benämning	Description	Sats Kit	Anmärkning Notes	
	7454	7460	7461	7462						
1			1	1	1137-0734-01	Hytt kpl.....	Cabin assy.....			
2			1	1	1319-1189-01	Tätning.....	Cabin support seal.....			
3			1	1	1319-1172-01	Tak.....	Roof.....			
4			1	1	1319-1174-01	Ruta-övre.....	Upper glass.....			
5			1	1	1319-1134-01	Vindruta.....	Windscreen.....			
6			1	1	1319-1137-01	Bakruta.....	Rear glass.....			
10			1	1	1319-1168-01	Kåpa.....	Cover.....			
11			1	1	1319-1152-01	Torkarblad.....	Wiper blade.....			
11A			1	1	1319-1151-01	Torkarm.....	Wiper arm.....			
12			1	1	1319-1150-01	Torkarmotor.....	Wiper engine.....			
13			1	1	1319-1149-01	Motorfäste.....	Bracket.....			
14			1	1	1319-1190-01	Vattenbehållare.....	Water tank assy.....			
15			1	1	083-504-01	Brytare.....	Switch.....			
16			2	2	1319-1125-01	Backspegel.....	Mirror.....			
17A			1	1	1319-1123-01	Spegelarm-RH.....	Mirror arm-RH.....			
17B			1	1	1319-1124-01	Spegelarm-LH.....	Mirror arm-LH.....			
18A			1	1	1319-1101-01	Strålkastare-RH.....	Head lamp-RH.....			
18B			1	1	1319-1102-01	Strålkastare-LH.....	Head lamp-LH.....			
18C			2	2		Lampa H4.12V.....	Light bulb.....		Buy locally	
18D			2	2		Lampa 12V 5-21W.....	Light bulb.....		Buy locally	
19			2	2	1319-1100-01	Blinkers.....	Direction light.....			
19A			2	2		Lampa 12V.21W.....	Light bulb.....		Buy locally	
20			2	2	1319-1121-01	Arbetslampa.....	Working light.....			
20A			2	2		Lampa H3.55W.....	Light bulb.....		Buy locally	
21			2	2	1319-1142-01	Tätninglist.....	Sealing strip.....		Meter	
22			1	1	1319-1180-01	Dörram.....	Door frame.....			
23			1	1	1319-1135-01	Dörrglas.....	Door glass.....			
24			1	1	1319-1136-01	Sidoglas.....	Side glass -right.....			
25			1	1	1319-1191-01	Tätninglist.....	Sealing strip.....			
26			1	1	1319-1127-01	Fäste-rot.varningsljus.....	Bracket-rot.lamp bracket.....			
27			1	1	1319-1176-01	Krokar.....	Hooks.....			
28			2	2	1319-1173-01	Gångjärn.....	Hinge.....			
29			1	1	1319-1175-01	Handtag.....	Handle.....			
30			1	1	083-509-01	Skruv.....	Screw.....			
31			1	1	1319-1158-01	Platta.....	Plate.....			
32			1	1	1319-1160-01	Gummipackning.....	Rubber gasket.....			
33			1	1	1319-1178-01	Packning.....	Gasket.....			
34			1	1	9699-0056-02	Bricka.....	Washer.....			
35			1	1	1319-1177-01	Mutterhatt.....	Cover nut.....			
36			1	1	9739-0831-02	Mutter.....	Nut.....			
37			1	1	1319-1132-01	Gasfjäder.....	Gas spring.....			
38			2	2	1319-1133-01	Gångjärn.....	Hinge.....			
39			1	1	9924-0840-01	Skruv.....	Screw.....			
40			1	1	1319-1148-01	Dörrlås.....	Door lock.....			
41			2	2	1319-1143-01	Dörrhandtag.....	Door handle.....		Med nyckel/With keys	
42			1	1	1319-1183-01	Packning.....	Gasket.....			
43			1	1	1319-1182-01	Gummipackning.....	Rubber gasket.....			
44			1	1	1319-1147-01	Skruvfäste.....	Bolt stricker.....			
45			1	1	1319-1181-01	Dörrfäste.....	Door strap.....			



Utgåva Issue 2013-11		Bildnr Picture No Q-031		TITAN HYTT CABIN			Sida Page 16		
Pos. Fig.	Antal/Quantity				Art nr Part No	Benämning	Description	Sats Kit	Anmärkning Notes
	7454	7460	7461	7462					
3			1	1	1319-1104-01	Lock arbetsbelysning	Cover work light		
4			1	1	1319-1192-01	Panel	Dashboard		
5			1	1	1319-1184-01	Innerbelysning	Inner light		
6			1	1	1319-1185-01	Kåpa	Cover		
8			2	2	1319-1186-02	Knopp	Knob		
10			1	1	082-688-01	Roterande varningsljus	Beacon		
11			1	1	1319-1111-01	Brytare-spolare	Switch-windscreen wash		
12			1	1	1319-1109-01	Brytare-rot.belysning	Switch-beacon		
12			1	1	1319-1109-01	Brytare-arb.belysning	Switch-worklamps		
13			1	1	1319-1103-01	Täckpropp	Cover		
14			1	1	1319-1110-01	Brytare-vindrutetorkare	Switch-wiper washer		
15			1	1	1319-1107-01	Vippa-spolare	Cover-windscreen wash		
16			1	1	1319-1108-01	Vippa-rot.varningsljus	Cover-beacon		
17			1	1	1319-1104-01	Vippa-arb.belysning	Cover-worklamps		
18			1	1	1319-1106-01	Vippa-vindrutetorkare	Cover-wiper washer		

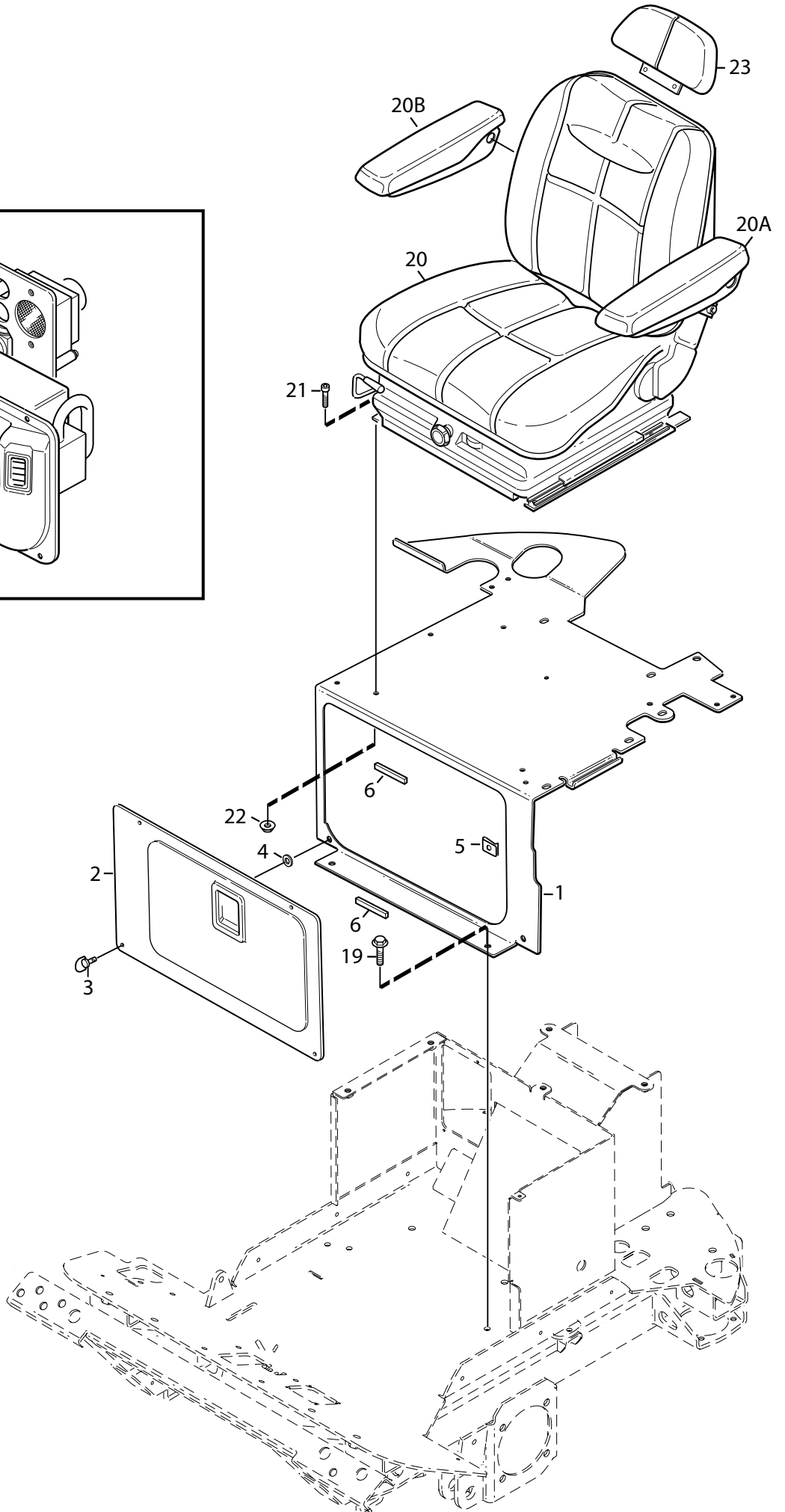
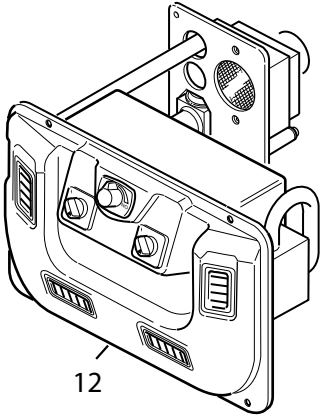


Utgåva Issue 2013-11		Bildnr Picture No Q-008		TITAN AC+VÄRME AC+HEAT			Sida Page 18		
Pos. Fig.	Antal/Quantity				Art nr Part No	Benämning	Description	Sats Kit	Anmärkning Notes
	7454	7460	7461	7462					
1				1	1139-0081-01	Filterstöd.....	REC Filter Support		
2				1	1139-0080-01	REC Filter.....	REC Filter		
3				1	1139-0079-01	Frontfäste.....	Front sheet.....		
4				1	1139-0078-01	Kontrollpanel.....	Control panel.....		
5				1	1139-0077-01	Temp.vakt.....	Electronic thermostwitch		
6				1	1139-0076-01	Värmare.....	Heater		
7				1	1139-0075-01	Fläkt stöd.....	Blower support sheet.....		
8				1	1139-0074-01	Bakre fäste.....	Rear sheet.....		
9				1	1139-0073-01	Fläns.....	Heater flange.....		
10				1	1139-0072-01	Luftintagkanal.....	Air inlet duct.....		
11				1	1139-0071-01	El. vattenventil.....	Electronic water valve.....		
12				1	1139-0070-01	Fläkt.....	Blower.....		

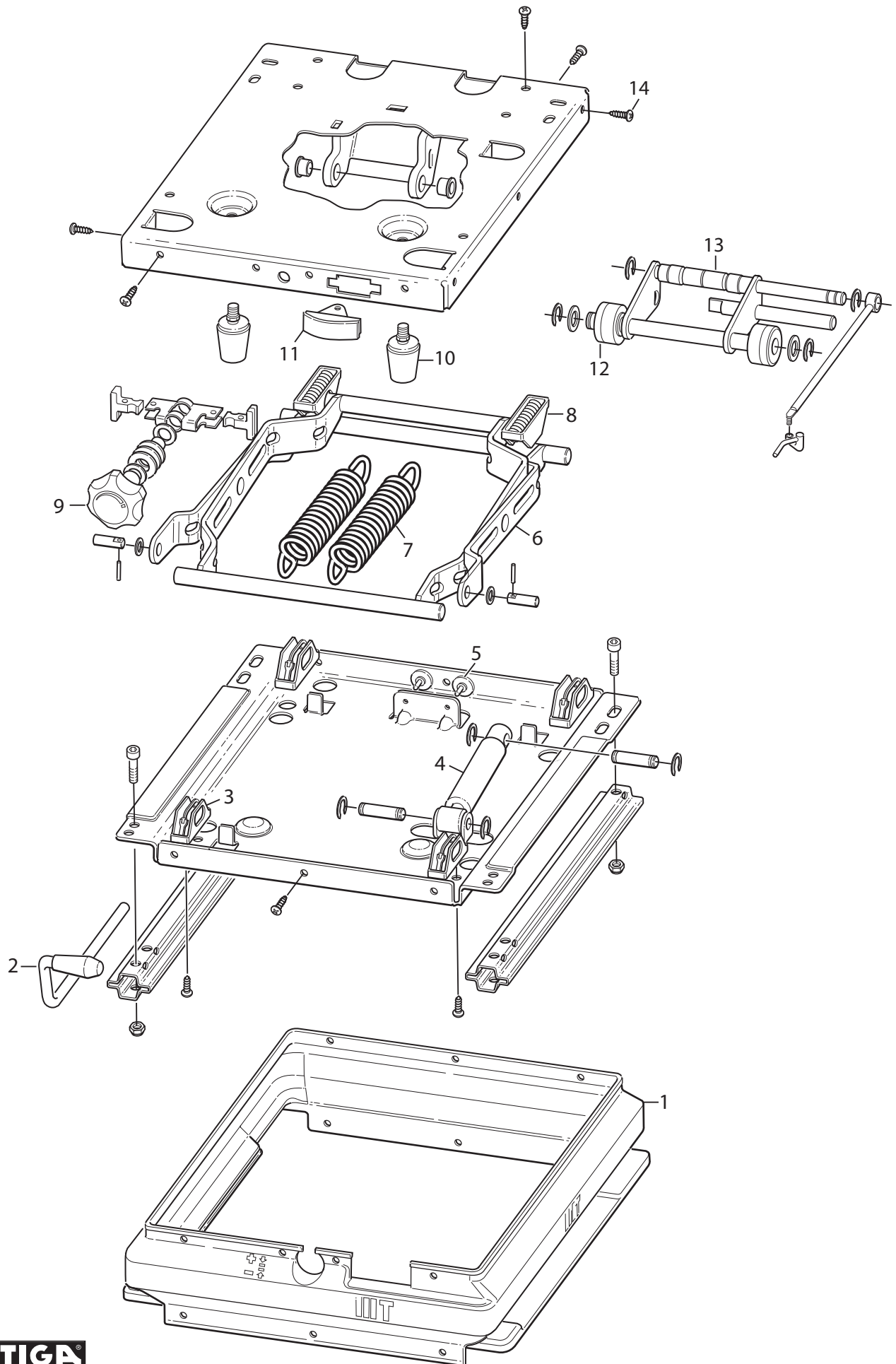


Utgåva Issue 2013-11		Bildnr Picture No Q-009		TITAN REDSKAPSLYFT LIFTING DEVICE				Sida Page 20	
Pos. Fig.	Antal/Quantity				Art nr Part No	Benämning	Description	Sats Kit	Anmärkning Notes
	7454	7460	7461	7462					
1	1	1	1	1	1134-6801-01	Lyftcylinder	Lift cylinder		Stroke = 120 mm
1A	1	1	1	1	1139-2083-01	Tätningssats	Seal kit		
1B	1	1	1	1	080-222-01	Smörjnippel	Grease joint		
2	1	1	1	1	1137-0186-09	Hydraulslang	Hydraulic tube		
3	1	1	1	1	1137-0185-21	Hydraulslang	Hydraulic tube		
8	2	2	2	2	9997-1070-12	Skruv	Screw		
9	2	2	2	2	9747-1031-02	Mutter	Nut		
10	2	2	2	2	1134-6991-01	Sprint	Pin		
11	4	4	4	4	1134-5406-01	Bricka	Washer		
16	1	1	1	1	9599-0101-02	Saxpinne	Cotter pin		
17	2	2	2	2	082-202-01	Skruv	Screw		
18	2	2	2	2	1134-3054-01	Ansatsbricka	Shoulder washer		
19	2	2	2	2	9690-0001-02	Bricka	Washer		
20	2	2	2	2	9747-1631-02	Mutter	Nut		
21	1	1	1	1	1134-7842-01	Låssprint-vä	Lock pin-LH		
22	1	1	1	1	1134-7842-02	Låssprint-vä	Lock pin-RH		
23	3	3	3	3	9501-0500-00	Smörjnippel	Grease joint		
24	1	1	1	1	9997-0860-12	Skruv	Screw		
25	4	4	4	4	9699-0056-02	Bricka	Washer		
26	1	1	1	1	1134-7557-01	Axel	Shaft		
27	2	2	2	2	9747-0831-02	Mutter	Nut		
28	1	1	1	1	9997-0870-16	Skruv	Screw		
29	1	1	1	1	1134-7557-02	Axel	Shaft		
30	1	1	1	1	1135-3306-01	Skruv	Screw		
31	1	1	1	1	1135-3055-01	Bussning	Bushing		
32	1	1	1	1	9690-0002-02	Bricka	Washer		
33	1	1	1	1	9747-2031-02	Mutter	Nut		
34	1	1	1	1	1135-4092-01	Bakstycke	Rear plate		
35	1	1	1	1	1135-3003-01	Redskapsfäste	Implement attachment		

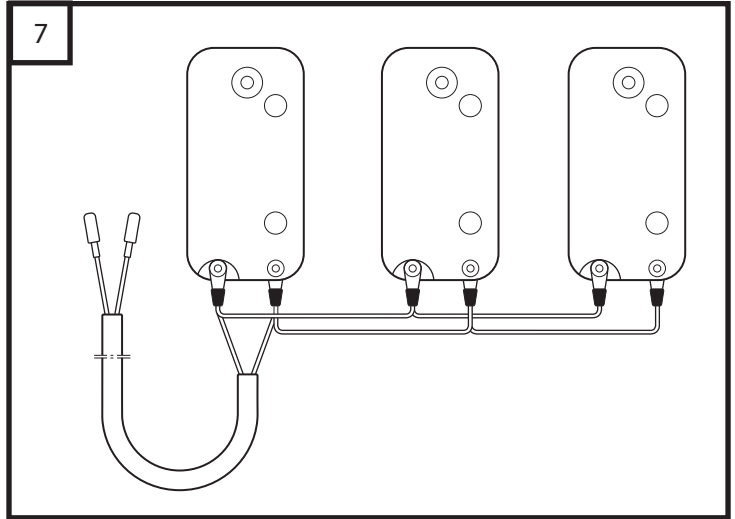
Värme+AC/heat+AC



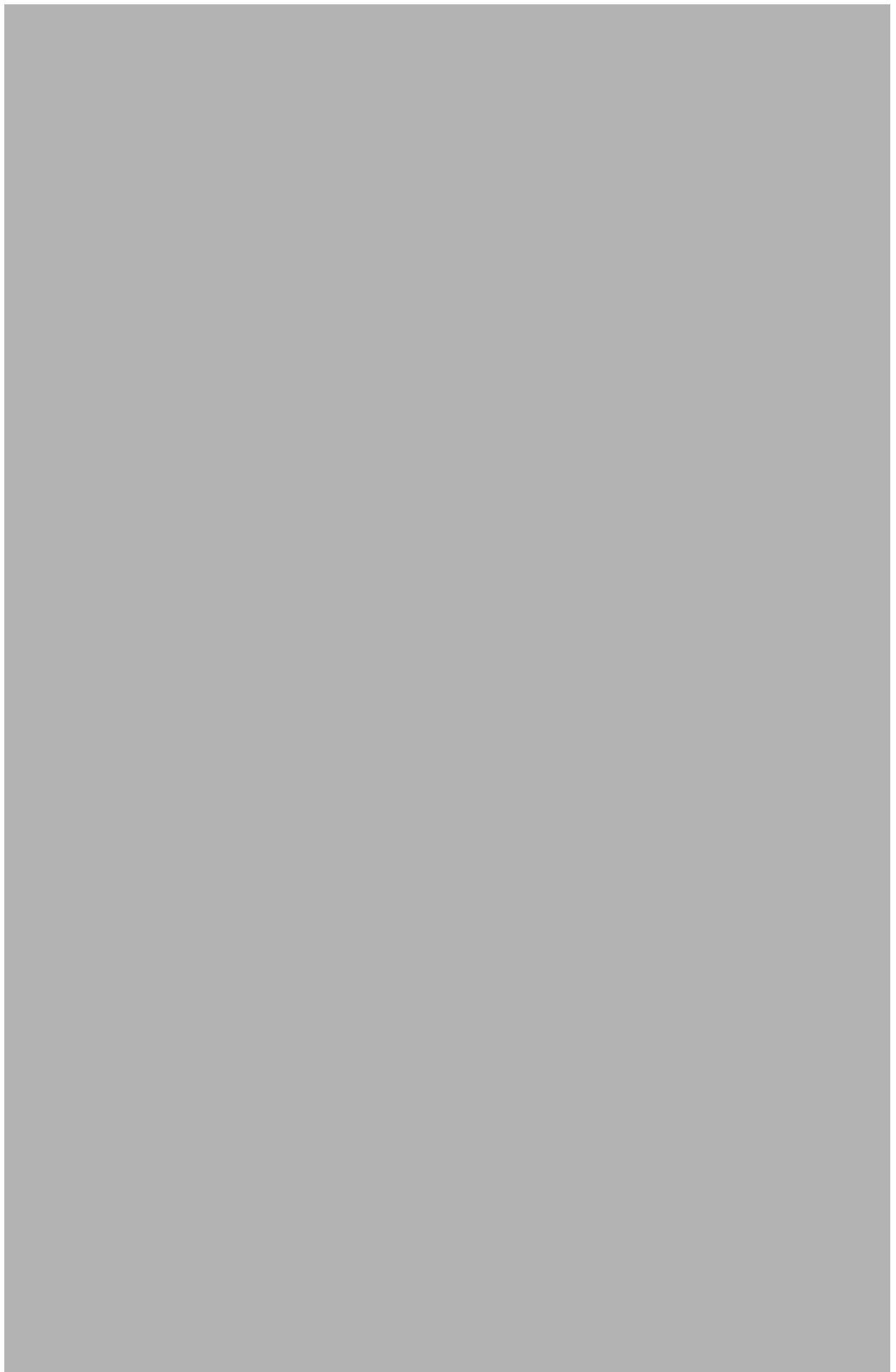
Utgåva Issue 2013-11		Bildnr Picture No Q-010		TITAN SITS		SEAT		Sida Page 22	
Pos. Fig.	Antal/Quantity				Art nr Part No	Benämning	Description	Sats Kit	Anmärkning Notes
	7454	7460	7461	7462					
1	1	1	1	1	1137-0691-01	AC-Låda	AC- Box		
2	1	1			1137-0727-01	Lucka	Shutter		
7	1	1			1137-0730-01	Klaflås	Door latch		
11			1		1137-0752-01	Värmeenhet	Heating system		
12				1	1137-0753-01	AC/Värmeenhet	AC/Heating system		
20	1	1	1	1	1134-7215-01	Sits	Seat		
20A	1	1	1	1	1134-7532-01	Armstöd-vä	Arm rest-LH		
20B	1	1	1	1	1134-7532-02	Armstöd-hö	Arm rest-RH		
21	4	4	4	4	9930-0820-16	Skruv	Screw		
22	4	4	4	4	9739-0831-22	Mutter	Nut		
23	1	1	1		1134-7258-01	Nackstöd	Neck support		



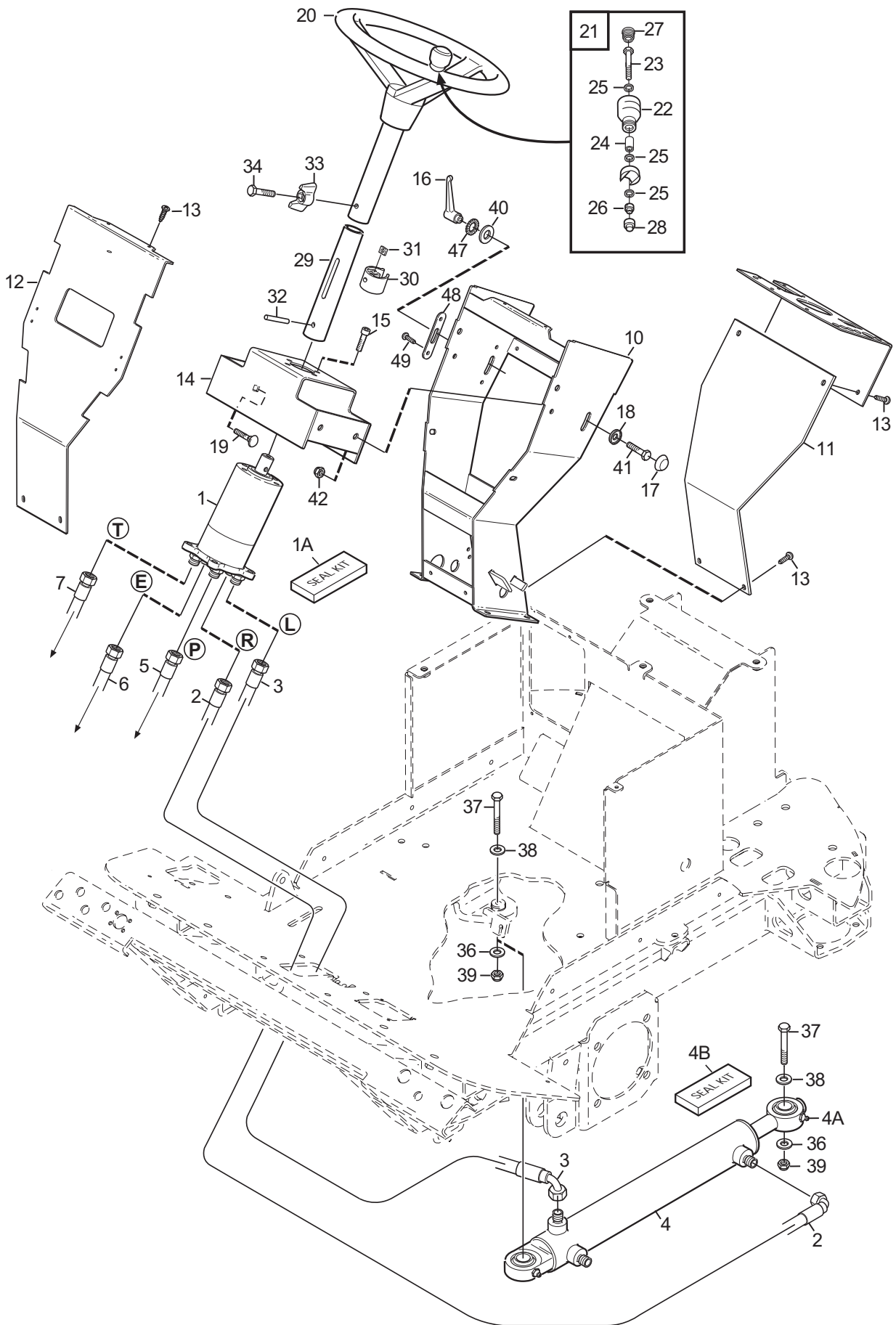
Utgåva Issue 2013-11		Bildnr Picture No Q-011		TITAN SITS		SEAT		Sida Page 24	
Pos. Fig.	Antal/Quantity				Art nr Part No	Benämning	Description	Sats Kit	Anmärkning Notes
	7454	7460	7461	7462					
1	1	1	1	1	1139-0033-01	Gummiskydd	Rubber cover		
2	1	1	1	1	1139-0031-01	Inställningsspak	Adjustment lever		
3	2	2	2	2	1139-0025-01	Pivofäste	Pivot bracket		
4	1	1	1	1	1139-0028-01	Sitsdämpare	Seat damper		
5	2	2	2	2	1139-0023-01	Fäste	Bracket		
6	1	1	1	1	1139-0032-01	Fjäderarm	Spring frame		
7	2	2	2	2	1139-0029-01	Fjäder	Spring		
8	4	4	4	4	1139-0026-01	Pivofäste	Pivot bracket		
9	1	1	1	1	1139-0034-01	Justerratt	Adjusting knob		
10	2	2	2	2	1139-0017-01	Gummidämpare	Rubber damper		
11	1	1	1	1	1139-0027-01	Lins	Lens		
12	2	2	2	2	1139-0022-01	Distans	Spacer		
13	2	2	2	2	1139-0024-01	Axel	Shaft		
14	19	19	19	19	1139-0030-01	Skruv	Screw		
15	1	1	1	1	1139-0069-01	Ledskena	Bracket		



Utgåva Issue 2013-11		Bildnr Picture No Q-011A		TITAN SITS		SEAT		Sida Page 26	
Pos. Fig.	Antal/Quantity				Art nr Part No	Benämning	Description	Sats Kit	Anmärkning Notes
	7454	7460	7461	7462					
1	1	1	1	1	1139-0021-01	Beslag-vä	Bracket-LH		
2	1	1	1	1	1139-0019-01	Justerratt	Adjustment knob		
3	3	3	3	3	1139-0018-01	Plugg	Plug		
4	1	1	1	1	1139-0020-01	Beslag-hö	Bracket-RH		
5	1	1	1	1	1139-0036-01	Sitsdyna	Bottom seat		
6	1	1	1	1	1139-0035-01	Ryggstöd	Back rest		
7	1	1	1	1	1139-0037-01	Sitsbrytare	Seat switch		

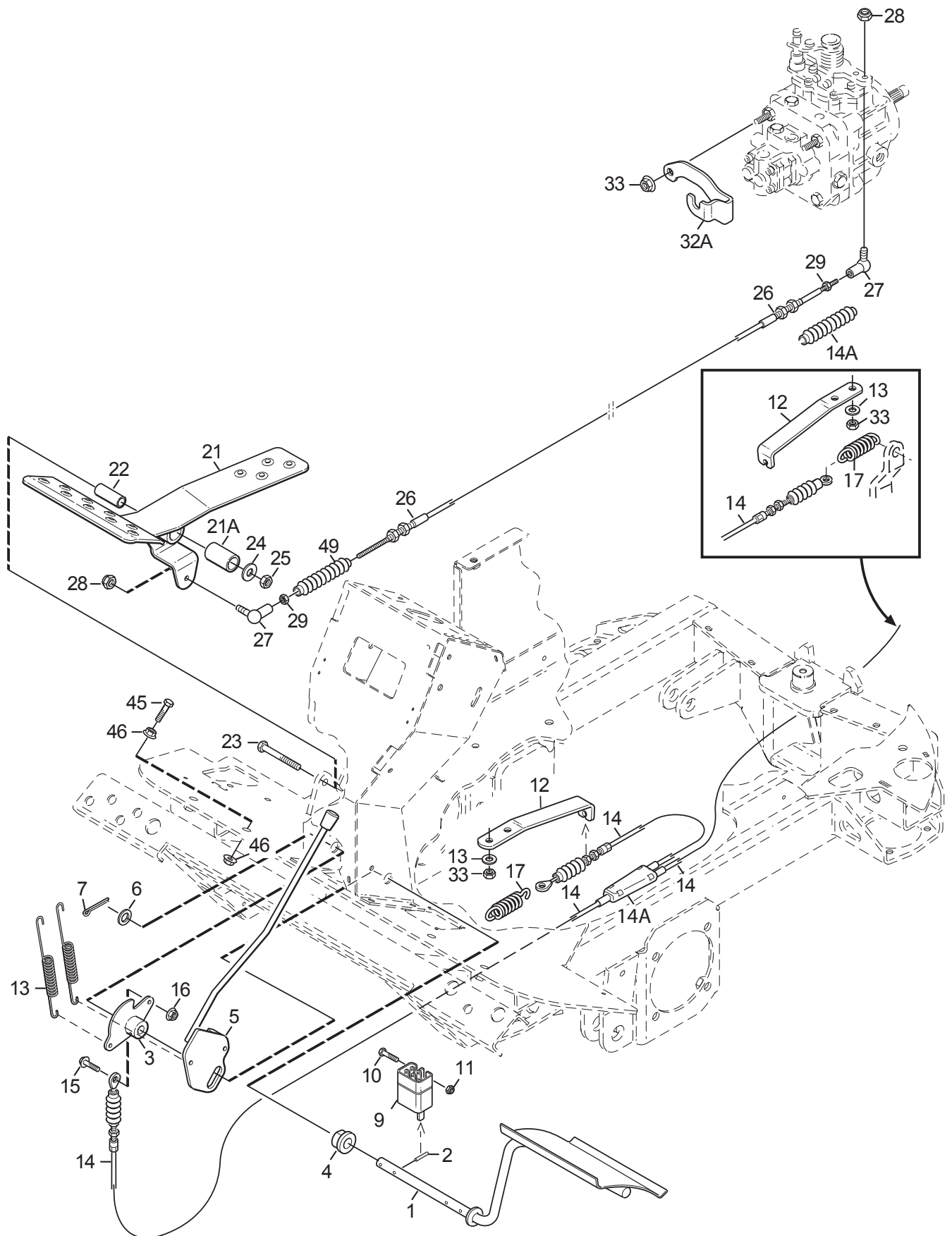


Utgåva Issue 2013-11		Bildnr Picture No Q-012		TITAN SÄKERHETSBJÄLTA		SEAT BELT		Sida Page 28	
Pos. Fig.	Antal/Quantity				Art nr Part No	Benämning	Description	Sats Kit	Anmärkning Notes
	7454	7460	7461	7462					
1	1	1	1	1	1134-7604-01	Säkerhetsbälte.....	Seat belt.....		
2	1	1	1	1	1135-3538-01	Fästplåt	Bracket		
3	2	2	2	2	9997-1040-12	Skruv.....	Screw.....		
4	2	2	2	2	1139-0038-01	Mutterhatt	Nut cover.....		
5	2	2	2	2	1139-0039-01	Distans	Spacer.....		
6	2	2	2	2	9699-0035-02	Bricka	Distans.....		
7	2	2	2	2	9798-1031-02	Mutter	Nut		
8	1	1	1	1	9997-1020-16	Skruv.....	Screw.....		
9	1	1	1	1	9997-0620-16	Skruv.....	Screw.....		
10	1	1	1	1	9739-1031-22	Mutter	Nut		
11	1	1	1	1	9739-0631-22	Mutter	Nut		

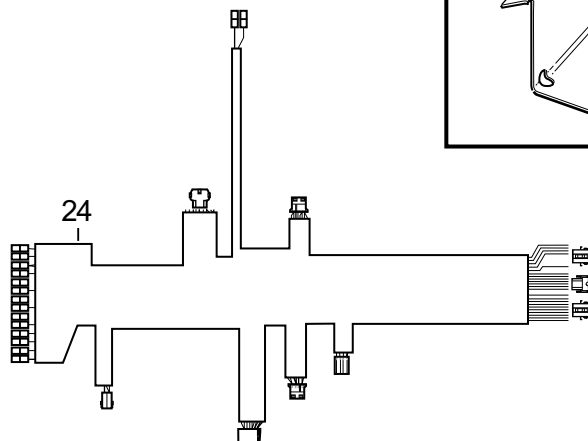
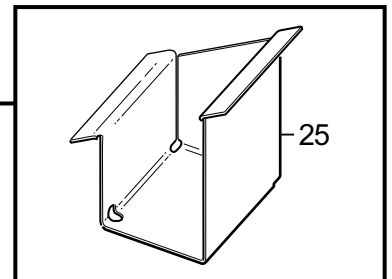
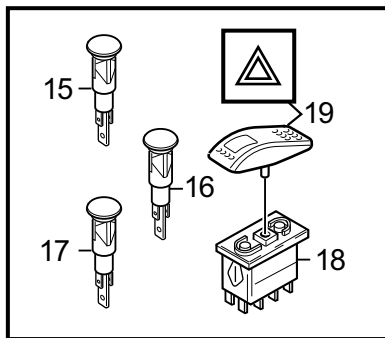
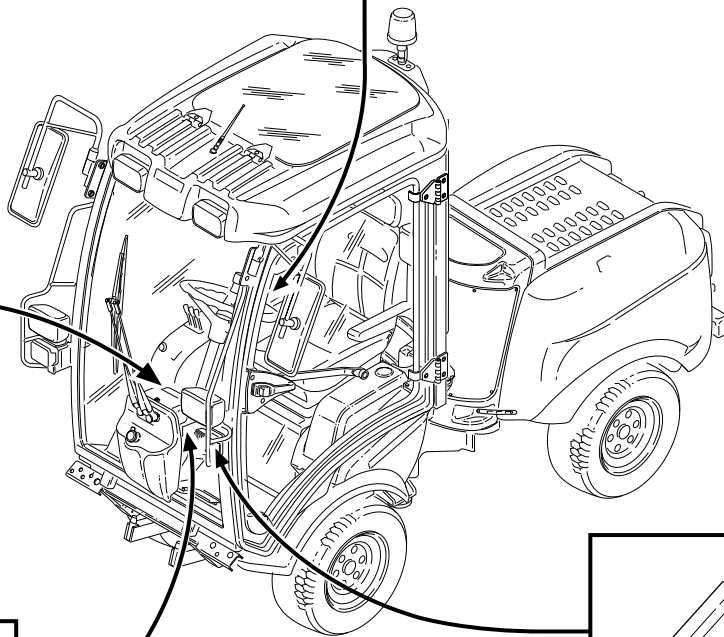
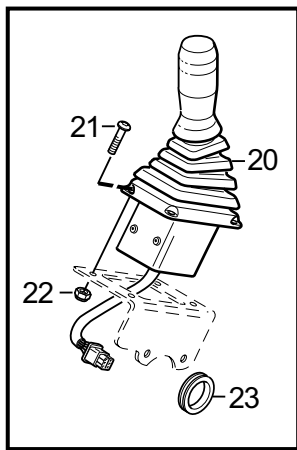
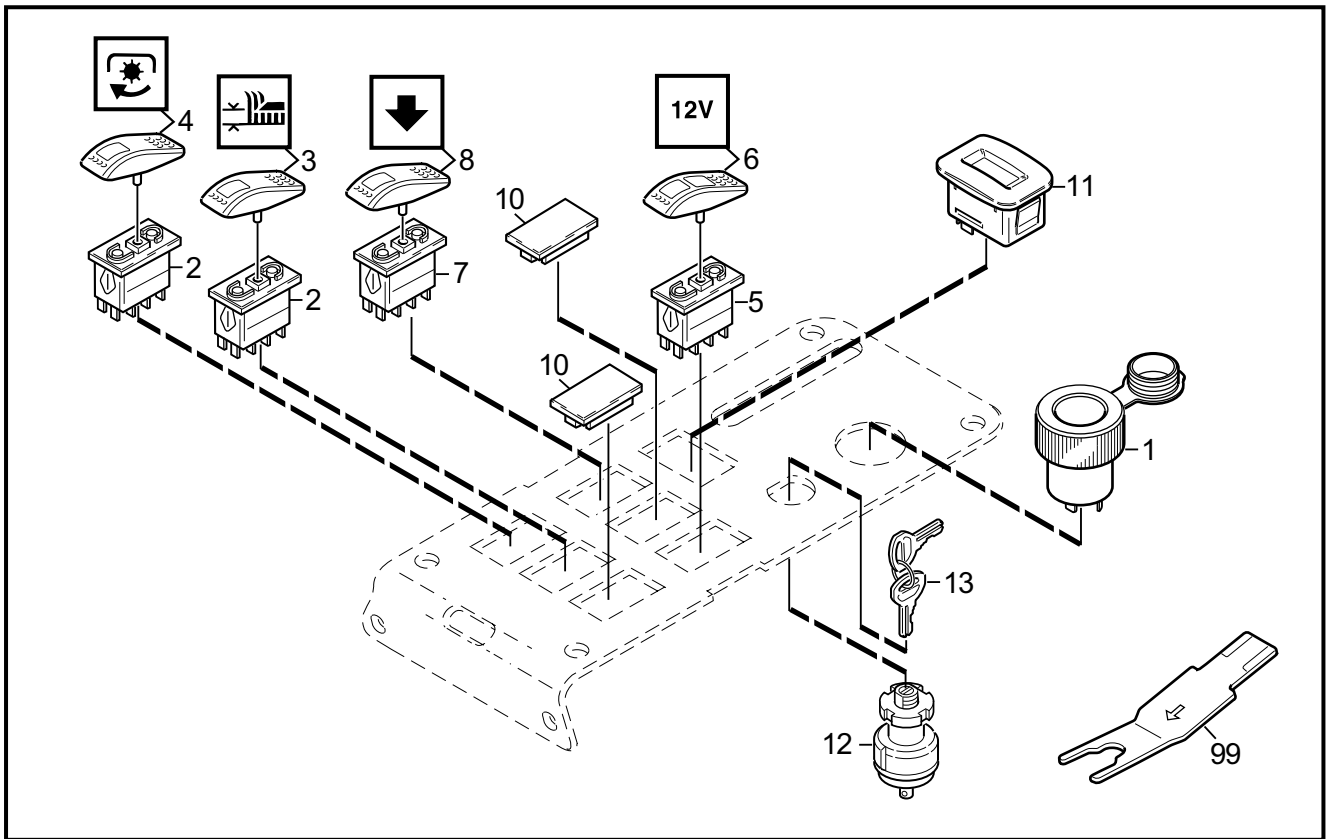


Utgåva Issue 2013-11		Bildnr Picture No Q-013		TITAN STYRNING		STEERING		Sida Page 30	
Pos. Fig.	Antal/Quantity				Art nr Part No	Benämning	Description	Sats Kit	Anmärkning Notes
	7454	7460	7461	7462					
1	1	1	1	1	1134-7214-01	Styrervo	Steering booster.....		
1A	1	1	1	1	1139-2081-01	Tätningssats	Seal kit		
2	1	1	1	1	1137-0185-13	Hydraulslang	Hydraulic tube.....		
3	1	1	1	1	1137-0186-08	Hydraulslang	Hydraulic tube.....		
4	1	1	1	1	1135-2808-01	Styr cylinder	Steering cylinder		
4A	1	1	1	1	9501-0500-00	Smörjnippel	Grease joint		
4B	1	1	1	1	1139-2083-01	Tätningssats	Seal kit		
5	1	1	1	1	1137-0195-03	Hydraulslang	Hydraulic tube.....		
6	1	1	1	1	1137-0196-05	Hydraulslang	Hydraulic tube.....		
7	1	1	1	1	1137-0196-02	Hydraulslang	Hydraulic tube.....		
10	1	1	1	1	1137-0667-01	Styrkonsol.....	Steering bracket.....		
11	1	1	1	1	1134-7198-01	Bakstycke	Rear plate		
12	1	1			1137-0670-01	Plåt, främre	Front plate		
12			1	1	1137-0670-02	Plåt, främre	Front plate		
13	8	8	8	8	9893-0616-16	Skruv.....	Screw.....		
14	1	1	1	1	1134-6995-01	Fäste-styrervo.....	Bracket		
15	4	4	4	4	9959-0816-16	Skruv.....	Screw.....		
16	1	1	1	1	1134-7123-01	Låsspak	Locking lever		
17	3	3	3	3	9403-0053-01	Hatt	Cover cap		
18	3	3	3	3	9400-0052-01	Hattbricka	Cap ring		
19	1	1	1	1	9897-0820-16	Skruv.....	Screw.....		
20	1	1	1	1	1134-5173-02	Ratt kpl	Steering wheel assy.....		
21	1	1	1	1	1134-3769-01	Styrknopp kpl	Steering knob		
22	1	1	1	1	1134-3752-01	Knoppfäste.....	Knob holder		
23	1	1	1	1	9997-0870-16	Skruv.....	Screw.....		
24	1	1	1	1	1134-1565-06	Distans	Spacer		
25	3	3	3	3	9699-0090-02	Bricka	Washer.....		
26	1	1	1	1	9747-0831-02	Mutter	Nut.....		
27	1	1	1	1	9403-0043-70	Ändplugg	End plug		
28	1	1	1	1	9403-0113-00	Mutterhatt	Nut cap		
29	1	1	1	1	1134-5216-01	Rattrör inre.....	Steering tube-inner.....		
30	1	1	1	1	1134-5177-01	Slid.....	Slide		
31	1	1	1	1	9710-0631-12	Fyrkantmutter	Square nut		
32	1	1	1	1	9595-0258-01	Spännstift.....	Locating pin		
33	1	1	1	1	1134-4481-02	Vingmutter	Wing nut.....		
34	1	1	1	1	9997-0630-12	Skruv.....	Screw.....		
36	2	2	2	2	9690-0003-02	Bricka	Washer.....		
37	2	2	2	2	9997-0860-12	Skruv.....	Screw.....		
38	2	2	2	2	9699-0056-02	Bricka	Washer.....		
39	2	2	2	2	9747-0831-02	Mutter	Nut.....		
40	1	1	1	1	9699-0090-02	Bricka	Washer.....		
41	3	3	3	3	9959-0816-16	Skruv.....	Screw.....		
42	3	3	3	3	9739-0831-22	Mutter	Nut.....		
47	1	1	1	1	081-470-01	Låsbricka	Lock washer		
48	1	1	1	1	1135-2514-01	Slitplåt.....	Wear plate		
49	1	1	1	1	9893-0616-16	Skruv.....	Screw.....		
51	1	1	1	1		Konsol.....	Bracket		
52	4	4	4	4	9893-0616-16	Skruv.....	Screw.....		

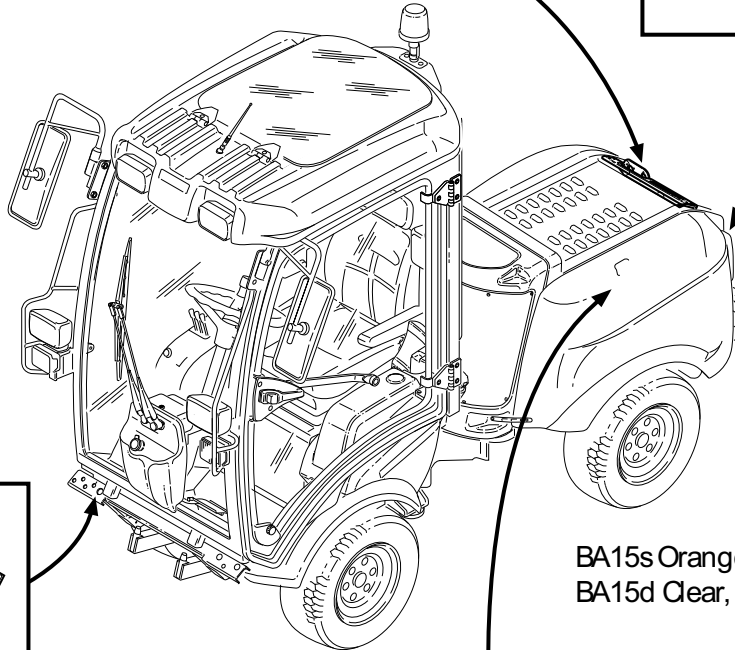
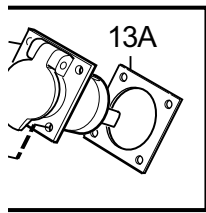
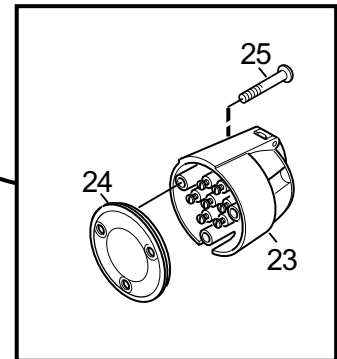
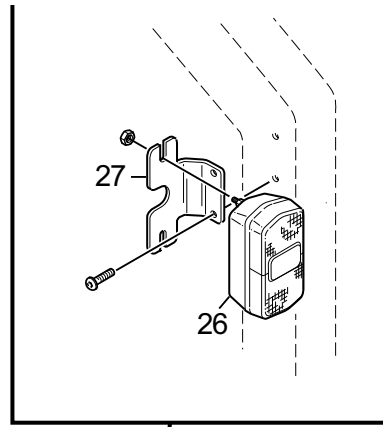
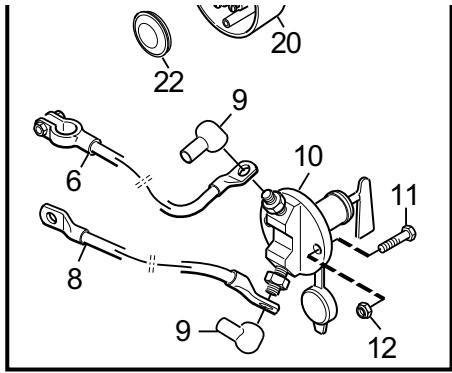
Utgåva Issue 2013-11		Bildnr Picture No Q-014		TITAN HANDREGLAGE HAND CONTROLS			Sida Page 32		
Pos. Fig.	Antal/Quantity				Art nr Part No	Benämning	Description	Sats Kit	Anmärkning Notes
	7454	7460	7461	7462					
1	1	1	1	1	1135-2577-01	Reglagefäste	Control attachment.....		
2	4	4	4	4	9959-0820-16	Skruv.....	Screw.....		
3	4	4	4	4	9699-0056-02	Bricka	Washer.....		
4	4	4	4	4	9739-0831-22	Mutter	Nut.....		
5	5	5	5	5	1135-3614-01	Samlingsplatta	Collecting plate		
6	4	4	4	4	9893-0616-16	Skruv.....	Screw.....		
7	1	1	1	1	1137-0698-01	Instrumentpanel	Control panel.....		
8	2	2	2	2	9959-0616-16	Skruv.....	Screw.....		
9	1	1	1	1	1134-7257-01	Gasreglage	Throttle control		
9A	1	1	1	1	1135-3948-01	Gummibälg	Rubber protection.....		
10	3	3	3	3	9946-0525-16	Skruv.....	Screw.....		
11	1	1	1	1	9747-0531-02	Mutter	Nut.....		
12	2	2	2	2	9747-0631-01	Mutter	Nut.....		
13	1	1	1	1	1135-3616-01	Reläkonsol	Relay bracket		
14	1	1	1	1	1137-0641-01	Handspaksventil	Hydraulic valve		
15	2	2	2	2	9997-0645-12	Skruv.....	Screw.....		
16	2	2	2	2	9739-0631-02	Mutter	Mutter.....		
17	1	1	1	1	1134-7474-01	Brytarhållare.....	Switch bracket.....		
18	1	1	1	1	1135-3127-01	Brytararm.....	Switch lever		
19	2	2	2	2	9997-0416-16	Skruv.....	Screw.....		
20	1	1	1	1	9652-0007-04	Spårryttare	Circlip		
21	3	3	3	3	9946-0525-16	Skruv.....	Screw.....		
22	3	3	3	3	1135-2497-01	Spak	Lever		
23	3	3	3	3	1135-2498-01	Knopp	Lever		
30	1	1	1	1	9400-0360-01	Microbrytare	Micro switch		
31	2	2	2	2	9840-7716-16	Skruv.....	Screw.....		
40	1	1	1	1	1137-0563-01	Gaswirefäste	Bracket		
41	2	2	2	2	9959-0616-16	Skruv.....	Screw.....		



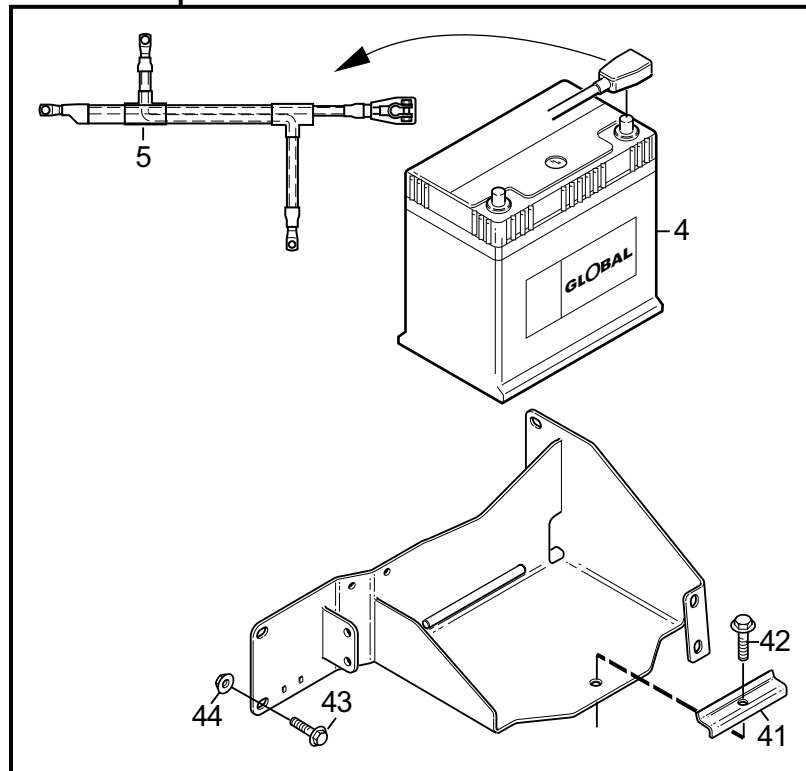
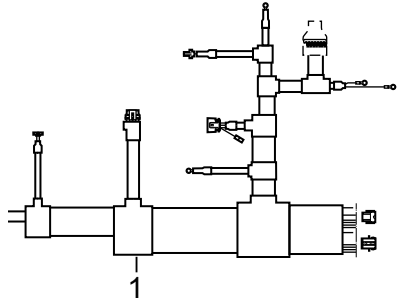
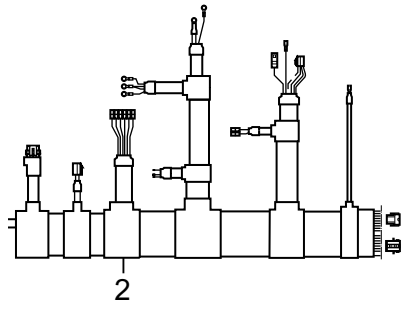
Utgåva Issue 2013-11		Bildnr Picture No Q-015		TITAN FOTREGLAGE FOOT CONTROLS			Sida Page 34		
Pos. Fig.	Antal/Quantity				Art nr Part No	Benämning	Description	Sats Kit	Anmärkning Notes
	7454	7460	7461	7462					
1	1	1	1	1	1134-7267-03	Bromspedal.....	Brake pedal		
2	3	3	3	3	9595-0210-00	Spännstift.....	Locating pin		
3	1	1	1	1	1137-0706-01	Bromsarm.....	Brake lever		
4	2	2	2	2	1134-6313-01	Lager.....	Bearing.....		
5	1	1	1	1	1137-0702-01	Bromsspärr.....	Brake lock.....		
6	1	1	1	1	9699-0036-02	Bricka.....	Washer.....		
7	1	1	1	1	9599-0080-02	Saxpinne.....	Cotter pin.....		
8	2	2	2	2	1134-7401-01	Fjäder.....	Spring.....		
9	1	1	1	1	1134-3999-01	Brytare.....	Switch.....		
10	2	2	2	2	9997-0520-16	Skruv.....	Screw.....		
11	2	2	2	2	9747-0531-02	Mutter.....	Nut.....		
12	4	4	4	4	1137-0589-01	Bromswirefäste.....	Brake cable bracket.....		
13	8	8	8	8	9930-0816-16	Skruv.....	Screw.....		
14	2	2	2	2	1134-3696-01	Bromswire.....	Brake cable.....		
14A	2	2	2	2	1135-3948-01	Gummibälga.....	Rubber protection.....		
15	1	1	1	1	9997-0525-16	Skruv.....	Screw.....		
16	1	1	1	1	9747-0531-02	Mutter.....	Nut.....		
17	4	4	4	4	1134-7321-01	Dragfjäder.....	Spring.....		
21	1	1	1	1	1134-7216-02	Fartpedal.....	Drive pedal.....		
21A	1	1	1	1	9548-0027-01	Glidlager.....	Bearing.....		
22	1	1	1	1	1134-7217-01	Distans.....	Spacer.....		
23	1	1	1	1	999-1050-12	Skruv.....	Screw.....		
24	1	1	1	1	9699-0030-02	Bricka.....	Washer.....		
25	1	1	1	1	1134-4775-01	Mutter.....	Nut.....		
26	1	1	1	1	1134-7054-03	Reglagekabel.....	Control cable.....		Inkl. pos 29
27	2	2	2	2	9570-0004-00	Vinkellänk.....	Elbow link.....		
28	2	2	2	2	9747-0631-02	Mutter.....	Nut.....		
29	2	2	2	2	9739-0631-22	Mutter.....	Nut.....		
32	1	1	1	1	1137-0564-01	Fäste.....	Bracket.....		
33	2	2	2	2	9747-1231-02	Mutter.....	Nut.....		



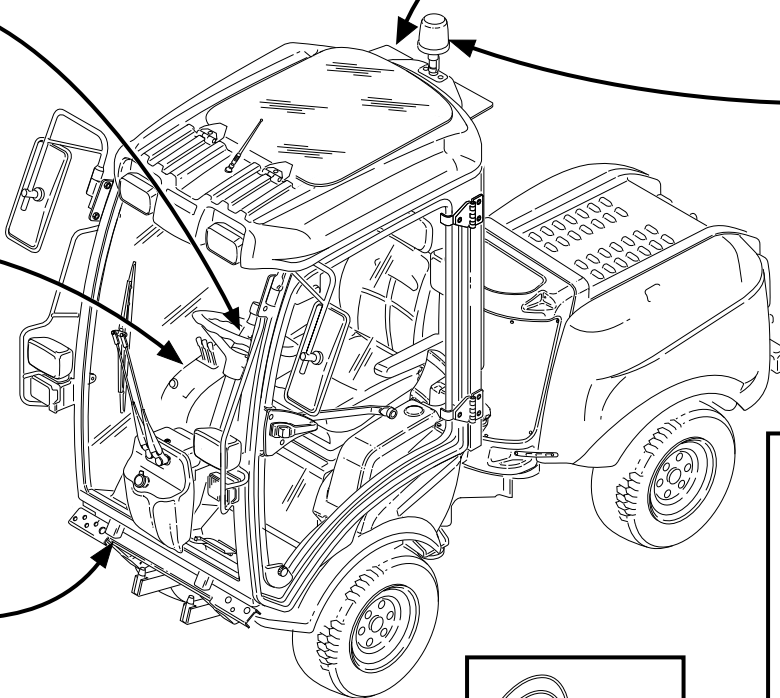
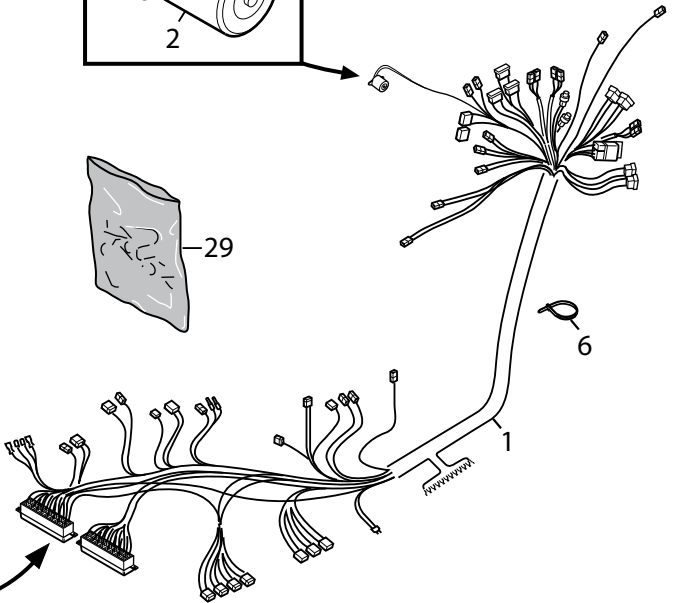
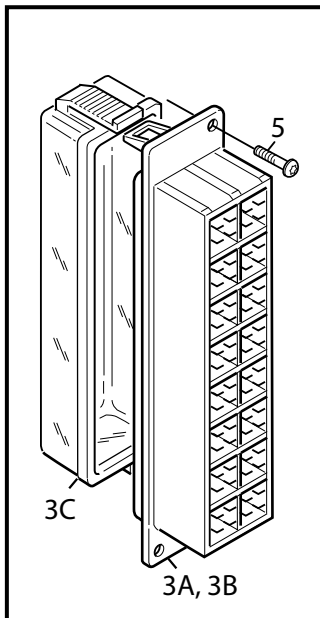
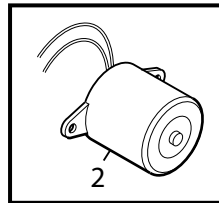
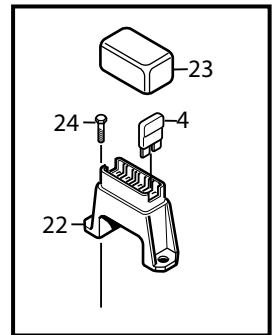
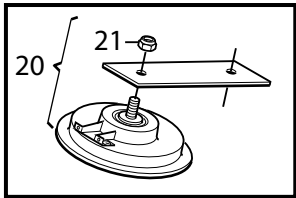
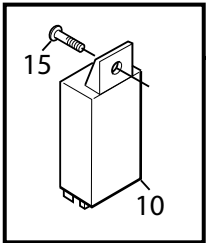
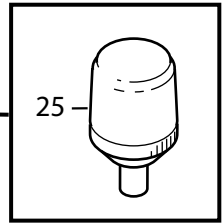
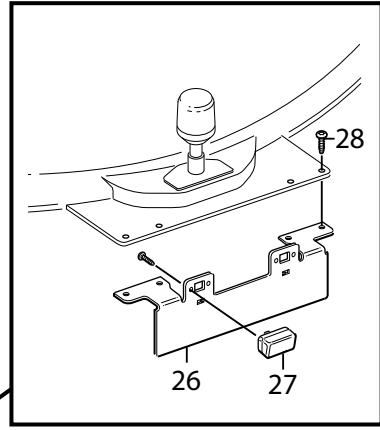
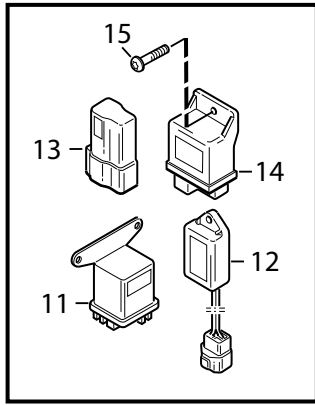
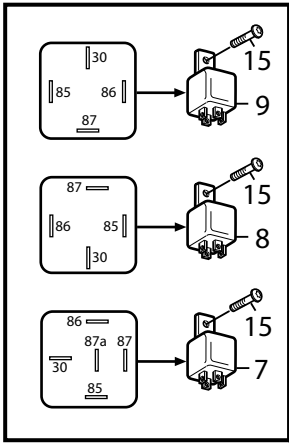
Utgåva Issue 2013-11		Bildnr Picture No Q-016		TITAN ELSYSTEM 1			ELECTRICAL SYSTEM 1		Sida Page 36	
Pos. Fig.	Antal/Quantity				Art nr Part No	Benämning	Description	Sats Kit	Anmärkning Notes	
	7454	7460	7461	7462						
1	1	1	1	1	9400-0317-02	Eluttag.....	Socket.....			
2	2	2	2	2	9400-0282-01	Brytare	Switch			
3	1	1	1	1	9400-0280-03	Vippa.....	Switch cover.....		Höjd.inst/Height. adjust	
4	1	1	1	1	9400-0343-01	Vippa.....	Switch cover.....		PTO	
5	1	1	1	1	9400-0321-01	Brytare	Switch			
6	1	1	1	1	9400-0322-01	Vippa.....	Switch cover.....		12V	
7	1	1	1	1	9400-0283-01	Brytare	Switch			
8	1	1	1	1	9400-0280-08	Vippa.....	Switch cover.....		V.ventil/Selector valve	
10	2	2	2	2	1134-4129-01	Täckbricka.....	Cover.....			
11	1	1	1	1	1134-6097-02	Timräknare.....	Hour meter			
12	1	1	1	1	1135-2754-01	Tändningslås.....	Ignition key		Incl. Keys	
13	1	1	1	1	1135-2505-01	Startnyckel	Starter key			
15	3	3	3	3	9400-0320-01	Kontrollampa-röd	Pilot lamp-red.....			
16	2	2	2	2	9400-0346-01	Kontrollampa-blink röd.....	Pilot lamp-flashing red.....			
17				1	9400-0320-03	Kontrollampa-grön	Pilot lamp-green.....			
18				1	9400-0345-01	Brytare	Switch		Varningsblinkers/hazard	
19				1	9400-0343-02	Vippa.....	Switch cover.....		Varningsblinkers/hazard	
20				1	9400-0336-01	Ljuskontrollarm	Light control switch			
21				4	9997-0416-16	Skruv.....	Screw.....			
22				4	9747-0421-02	Mutter	Nut.....			
23				1	9400-0340-01	Kabelgenomföring.....	Grommet			
24	1	1	1	1	1137-0817-01	Kablage	Kablage		Styrkonsol/Steering bracket	
25	1	1	1	1	1137-0697-01	Förvaringslåda	Box			



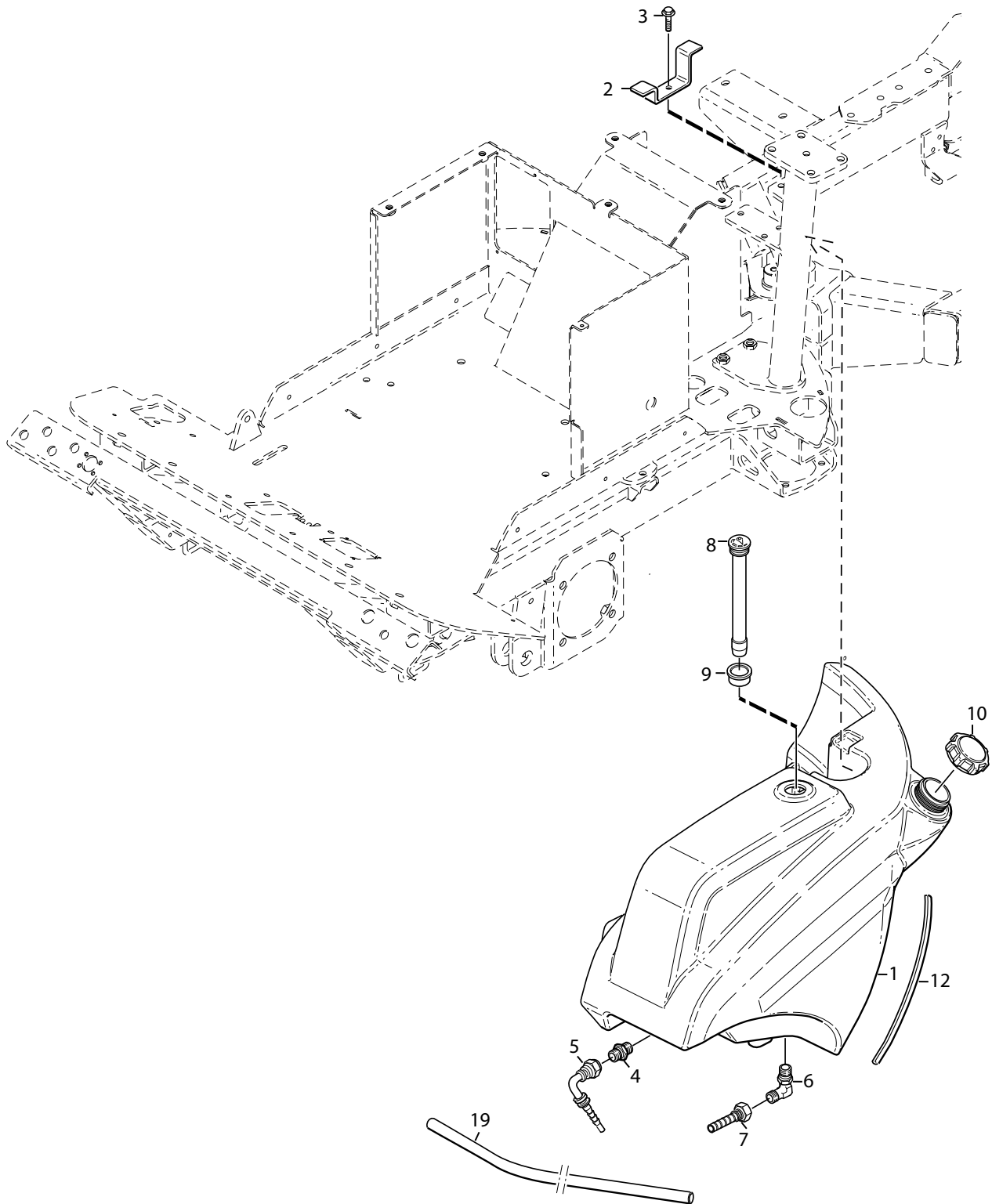
BA15s Orange, 12V, 21W
 BA15d Clear, 12V, 5/21W



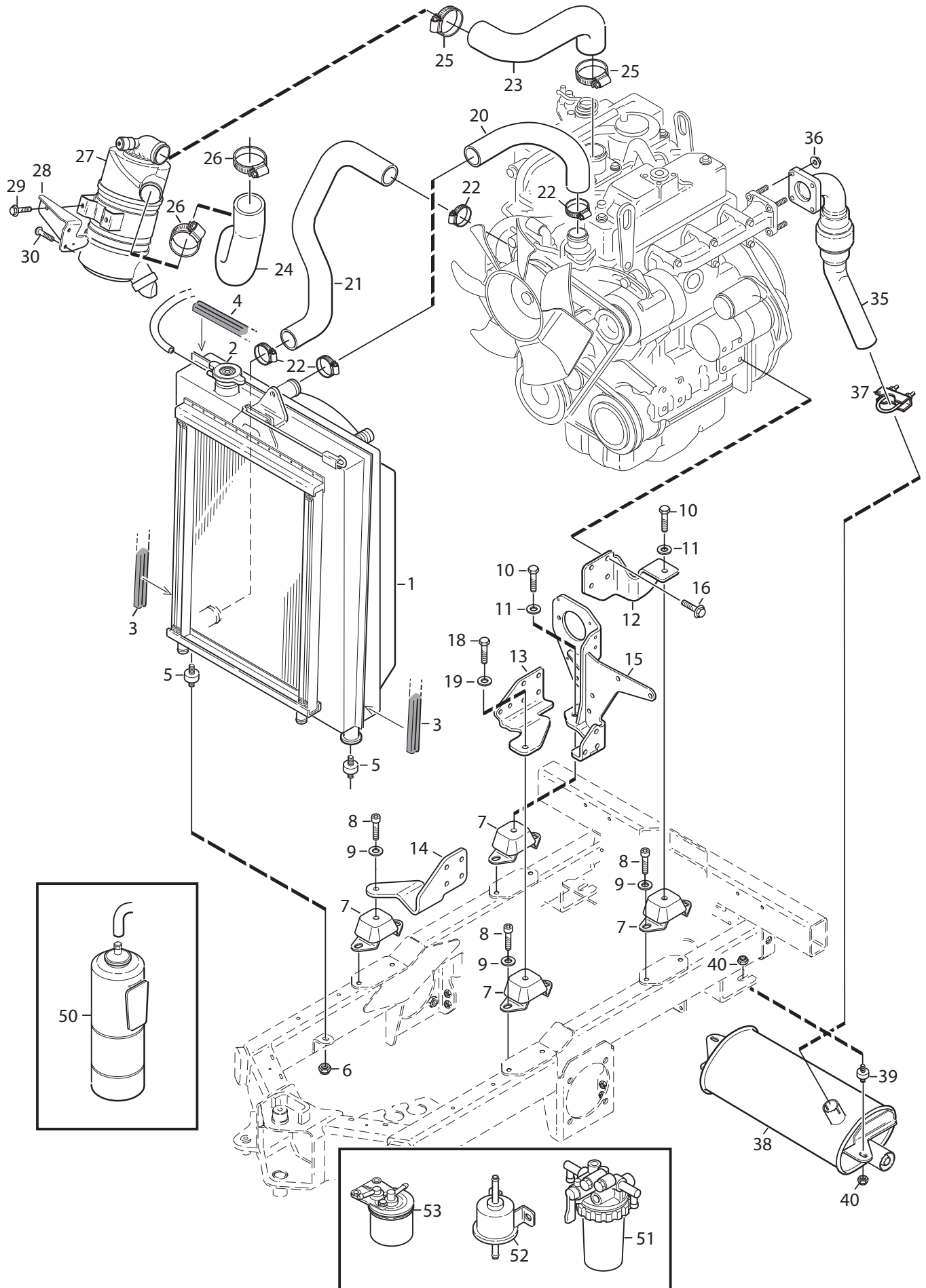
Utgåva Issue 2013-11		Bildnr Picture No Q-017		TITAN ELSYSTEM 2		ELECTRICAL SYSTEM 2		Sida Page 38	
Pos. Fig.	Antal/Quantity				Art nr Part No	Benämning	Description	Sats Kit	Anmärkning Notes
	7454	7460	7461	7462					
1	1	1	1	1	1137-0661-01	Kablage bak-vä.....	Harness rear-LH.....		
2	1	1	1	1	1137-0662-01	Kablage bak-hö.....	Harness rear-RH.....		
4	1	1	1	1	1134-7203-01	Batteri	Battery		
5	1	1	1	1	1137-0663-01	Batterikablage +	Battery Harness +.....		
6	1	1	1	1	1134-7237-02	Kabel -	Cable -		
9	2	2	2	2	085-0274-01	Polskydd	Insulator		
10	1	1	1	1	9400-0316-01	Huvudströmbrytare.....	Main switch.....		
11	2	2	2	2	9959-0616-16	Skruv.....	Screw.....		
12	2	2	2	2	9739-0631-22	Mutter	Nut.....		
13	1	1	1	1	1134-7535-01	Honkontakt	Female terminal		
13A	1	1	1	1	1134-6318-01	Tätning.....	Seal.....		
14	2	2	2	2	9840-7716-16	Skruv.....	Screw.....		
20	1	1	1	1	9400-0347-01	Stickdosa.....	Socket.....		
21	3	3	3	3	9947-0540-19	Skruv.....	Screw.....		
22	1	1	1	1	9403-0056-01	Membrangenomföring.....	Grommet		
23	1	1	1	1	084-036-01	Stickdosa.....	Socket.....		
24	1	1	1	1	084-464-01	Kabelgenomföring.....	Grommet		
25	3	3	3	3	9946-0525-16	Skruv.....	Screw.....		
26				2	9400-0382-01	Baklampa.....	Rear lamp		
27				2	1137-0726-01	Fäste baklampa	Bracket		
28				4	9893-0616-16	Skruv.....	Screw.....		
40	1	1	1	1	1137-0509-01	Batterihållare	Battery holder.....		
41	1	1	1	1	1134-6943-01	Batteriklämma	Battery clamp.....		
42	1	1	1	1	9959-0820-16	Skruv.....	Screw.....		
43	4	4	4	4	9959-0816-16	Skruv.....	Screw.....		
44	4	4	4	4	9747-0831-02	Mutter	Nut.....		



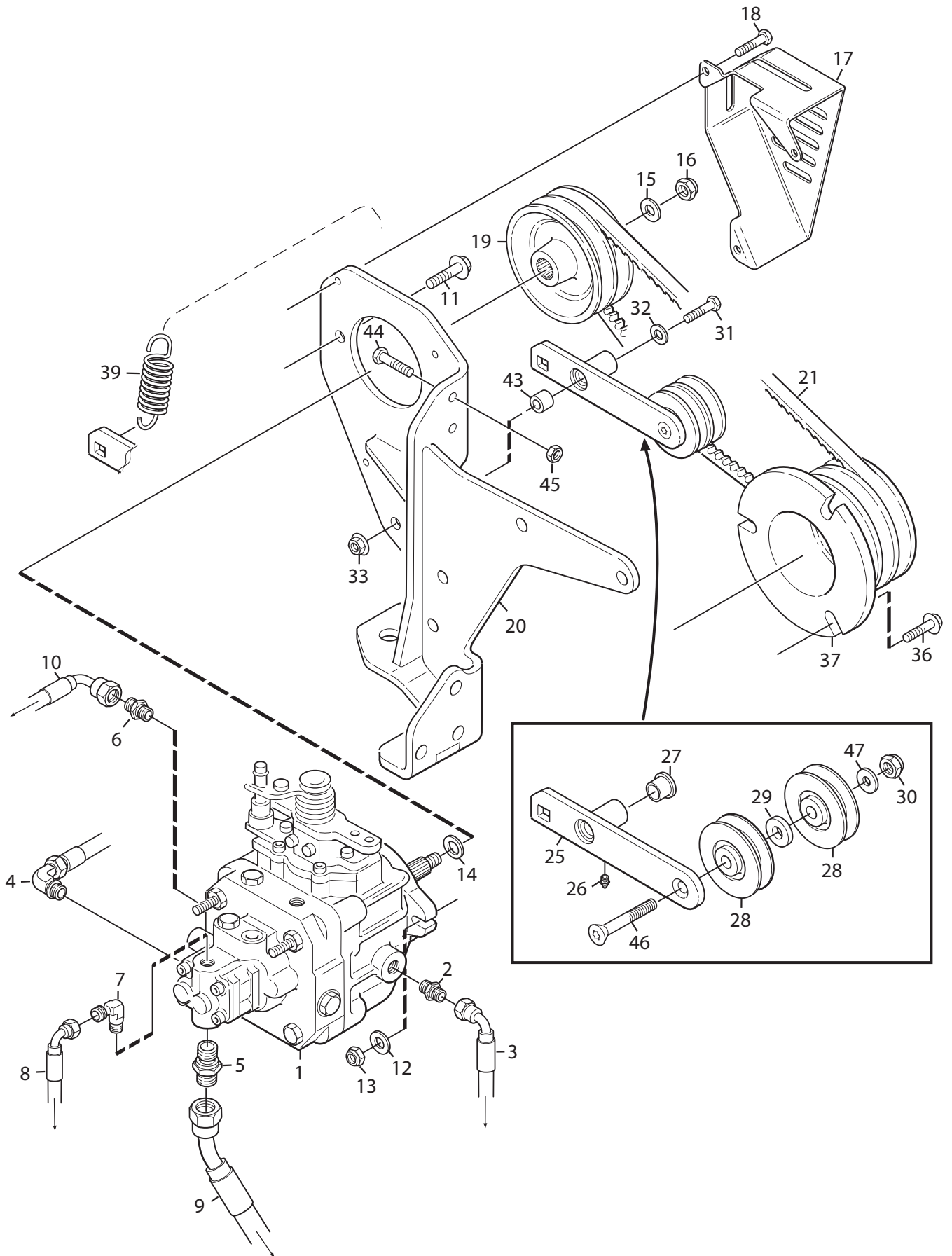
Utgåva Issue 2013-11		Bildnr Picture No Q-018				TITAN ELSYSTEM 3		ELECTRICAL SYSTEM 3		Sida Page 40	
Pos. Fig.	Antal/Quantity				Art nr Part No	Benämning	Description	Sats Kit	Anmärkning Notes		
	7454	7460	7461	7462							
1	1	1	1	1	1137-0660-01	Kablage kpl.....	Cable harness				
2	1	1	1	1	1134-7530-01	Summer.....	Beeper				
3A	1	1	1	1	9400-0342-01	Säkringshållare	Fuse holder		Svart/Black Grön/Green		
3B	1	1	1	1	9400-0342-02	Säkringshållare	Fuse holder				
3C	2	2	2	2	9400-0350-01	Lock för säkringshållare....	Cover for fuse holder				
4	1	1	1	1	1134-3496-08	Säkring	Fuse		40A		
4	4	4	4	4	1134-3496-07	Säkring	Fuse		30A		
4	3	3	3	3	1134-3496-04	Säkring	Fuse		20A		
4	4	4	4	4	1134-3496-01	Säkring	Fuse		10A		
5	7	7	7	7	9943-0516-01	Skruv.....	Screw.....				
6	5	5	5	5	9579-0003-00	Buntband.....	Cable holder				
7	1	1	1	1	1134-2871-03	Relä.....	Relay				
8	1	1	1	1	1135-2748-01	Relä.....	Relay				
9	1	1	1	1	1134-2871-01	Relä.....	Relay				
10	1	1	1	1	9400-0337-01	Blinkersrelä.....	Flashing relay.....				
11	1	1	1	1	1134-2748-01	Relä-bränsleventil	Relay-flash valve				
12	1	1	1	1	1135-2749-01	Timer	Timer				
13	1	1	1	1	1135-2747-01	Diod.....	Diode.....				
14	1	1	1	1	1135-2753-01	Kontrollenhet.....	Control unit				
15	12	12	12	12	9893-0616-16	Skruv.....	Screw.....				
20	1	1	1	1	082-564-01	Signalhorn.....	Horn				
21	1	1	1	1	9747-0631-02	Mutter	Nut.....				
22	1	1	1	1	1134-3491-01	Säkringshållare	Fuse holder				
23	1	1	1	1	1134-3631-01	Lock för säkringshållare	Cover for fuse holder				
24	2	2	2	2	9943-0516-01	Skruv.....	Screw.....				
25	1	1	1	1	082-688-01	Roterande varningsljus	Beacon.....				
26				1	1137-0709-01	Hållare	Bracket				
27				1	9400-0332-01	Skyltbelysningslampa.....	Reg.plate lamp				
28				4	9849-7819-01	Skruv.....	Screw.....				
29				1	1137-0922-01	Tillbehörspåse	Assembly bag.....		Reg plate		



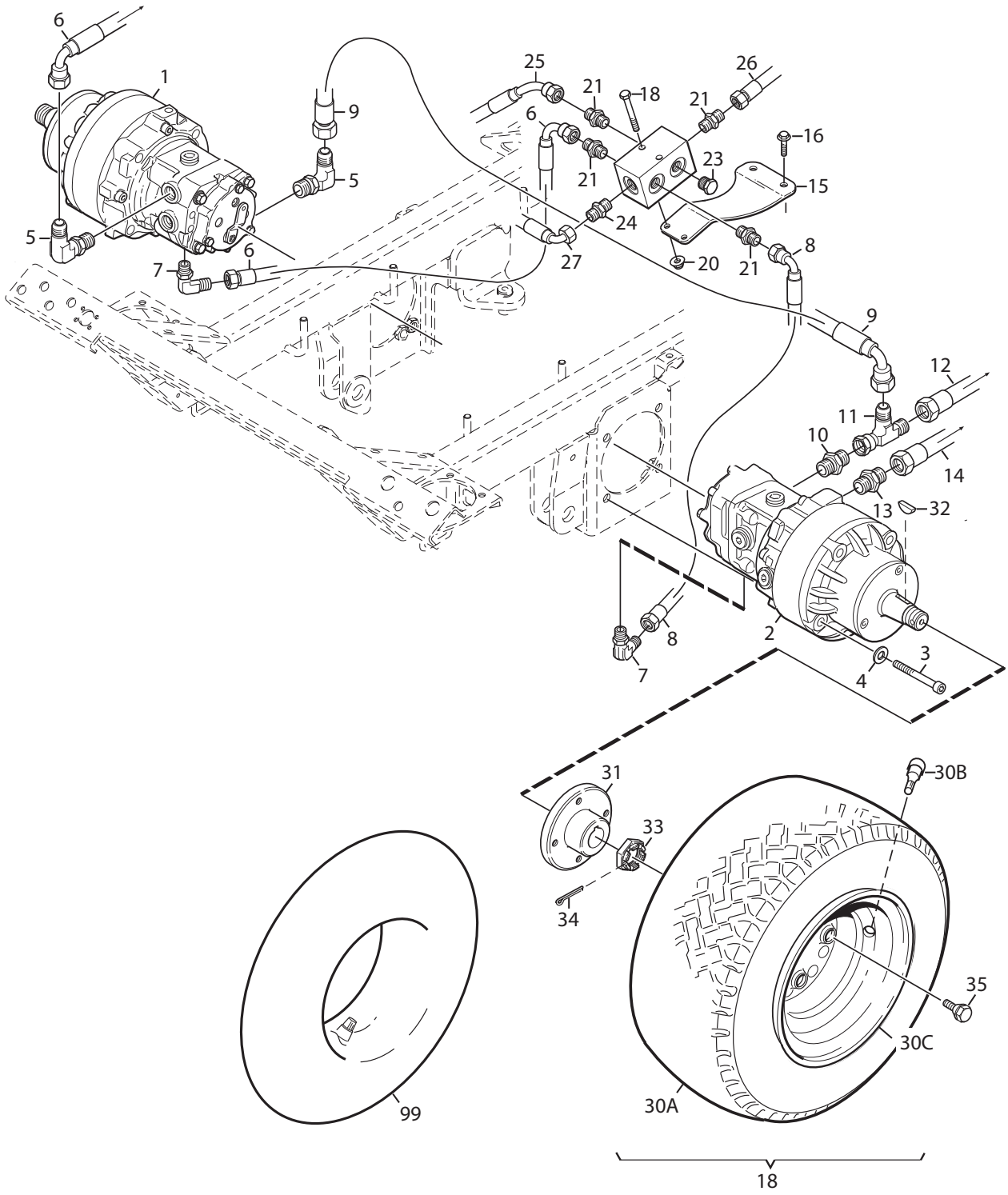
Utgåva Issue 2013-11		Bildnr Picture No Q-019		TITAN BRÄNSLETANK		FUEL TANK		Sida Page 42	
Pos. Fig.	Antal/Quantity				Art nr Part No	Benämning	Description	Sats Kit	Anmärkning Notes
	7454	7460	7461	7462					
1	1	1	1	1	1137-0656-01	Bränsletank	Fuel tank.....		
2	1	1	1	1	1135-2522-01	Tankbygel	Tank clamp.....		
3	1	1	1	1	9945-0816-16	Skruv.....	Screw.....		
4	1	1	1	1	1134-4282-01	Hydraulnippel	Nipple.....		
5	1	1	1	1	1135-2796-01	Slangstolpe	Tube coupling		
6	1	1	1	1	082-675-01	Adapter	Tube coupling		
7	1	1	1	1	1135-3670-01	Slangstolpe	Tube coupling		
8	1	1	1	1	1135-2526-01	Bränslenivågivare	Fuel level indicator		
9	1	1	1	1	1135-2528-01	Gummimanschett.....	Rubber sleeve.....		
10	1	1	1	1	1135-3447-01	Tanklock	Fuel cap		
12	1	1	1	1	1135-3768-02	Tätningslist	Seal strip.....		
19	0,81	0,81	0,81	0,81	9505-0002-01	Bränsleslang	Fuel line		Quantity per meter
19	2,16	2,16	2,16	2,16	9505-0002-02	Bränsleslang	Fuel line		Quantity per meter
19	0,95	0,95	0,95	0,95	9505-0002-03	Bränsleslang	Fuel line		Quantity per meter
20	10	10	10	10	9578-0023-02	Slangklämma	Hose clamp.....		Not illustrated



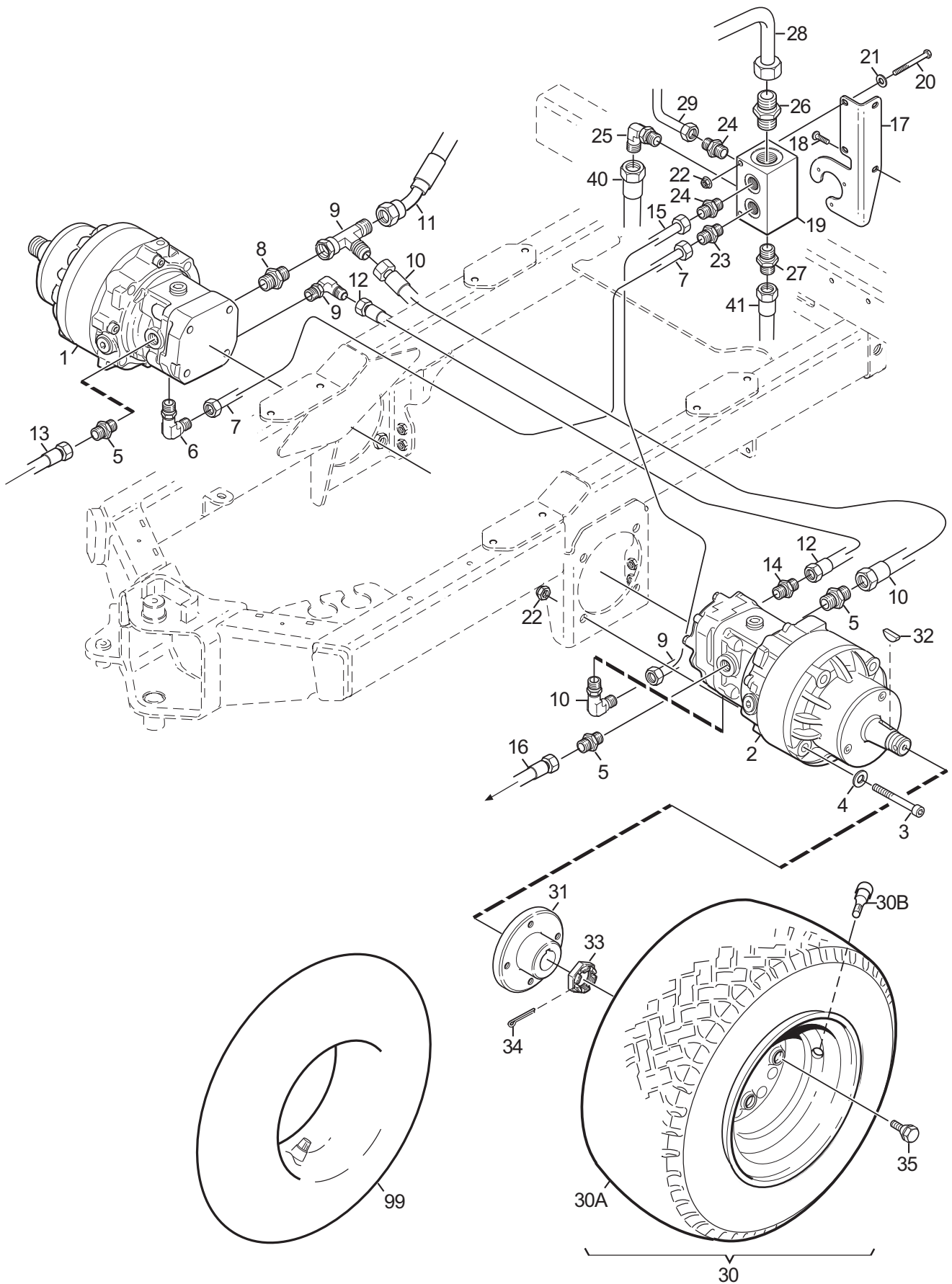
Utgåva Issue 2013-11		Bildnr Picture No Q-020				TITAN MOTOR			ENGINE		Sida Page 44
Pos. Fig.	Antal/Quantity				Art nr Part No	Benämning	Description	Sats Kit	Anmärkning Notes		
	7454	7460	7461	7462							
1	1	1	1	1	1137-0690-01	Kylare	Cooler.....				
2	1	1	1	1	1139-2122-01	Lock	Cover.....				
3	2	2	2	2	084-312-01	Tätninglist	Seal strip.....				
4	1	1	1	1	084-239-01	Tätninglist	Seal strip.....				
5	2	2	2	2	9550-0008-03	Vibrationsdämpare.....	Vibration damper				
6	4	4	4	4	9747-0831-22	Mutter	Nut.....				
7	4	4	4	4	1134-7210-01	Motorkudde	Engine cushion.....				
8	8	8	8	8	9939-1020-16	Skruv.....	Screw.....				
9	8	8	8	8	9699-0035-02	Bricka	Washer.....				
10	4	4	4	4	9997-1230-16	Skruv.....	Screw.....				
11	4	4	4	4	9699-0036-02	Bricka	Washer.....				
12	1	1	1	1	1137-0512-01	Motorfäste.....	Engine bracket				
13	1	1	1	1	1137-0514-01	Motorfäste.....	Engine bracket				
14	1	1	1	1	1137-0513-01	Motorfäste.....	Engine bracket				
15	12	12	12	12	1137-0517-01	Fäste HST pump	Bracket HST pump				
16	16	16	16	16	9959-1225-16	Skruv.....	Screw.....				
20	1	1	1	1	1137-0565-01	Kylarslang.....	Cooling hose				
21	1	1	1	1	1137-0566-01	Kylarslang.....	Cooling hose				
22	2	2	2	2	085-520-01	Slangklämma	Hose Clamp.....				
23	1	1	1	1	1137-0568-01	Insugningsslang	Air intake hose				
24	1	1	1	1	1134-7460-01	Slang	Hose				
25	2	2	2	2	087-510-01	Slangklämma	Hose Clamp.....				
26	2	2	2	2	085-018-01	Slangklämma	Hose Clamp.....				
27	1	1	1	1	1135-3961-01	Luftrenare kpl	Air cleaner assy.....				
27A	1	1	1	1	1139-2652-01	Luftfilter	Air filter				
27B	1	1	1	1	1139-2663-01	Indikator	Indicator				
28	1	1	1	1	1137-0558-01	Fäste.....	Bracket				
29	2	2	2	2	9959-0816-16	Skruv.....	Screw.....				
30	2	2	2	2	9997-0816-16	Skruv.....	Screw.....				
31	2	2	2	2	9739-0831-22	Mutter	Nut.....				
35	1				1137-0577-01	Avgasrör	Exhaust pipe.....				
35		1	1	1	1137-0578-01	Avgasrör	Exhaust pipe.....				
36	4	4	4	4	9739-0831-22	Mutter	Nut.....				
37	1	1	1	1	084-351-01	Rörklämma	Tube clamp.....				
38	1	1	1	1	1137-0576-01	Ljuddämpare.....	Muffler				
39	2	2	2	2	9550-0008-03	Vibrationsdämpare.....	Vibration damper				
40	4	4	4	4	9739-0831-22	Mutter	Nut.....				
50	1	1	1	1	1135-2751-01	Expansionskärl	Expansion tank.....				
51	1	1	1	1	1135-2818-01	Vattenavskiljare	Water separator				
52	1	1	1	1	1135-2745-01	Bränslepump.....	Fuel pump				



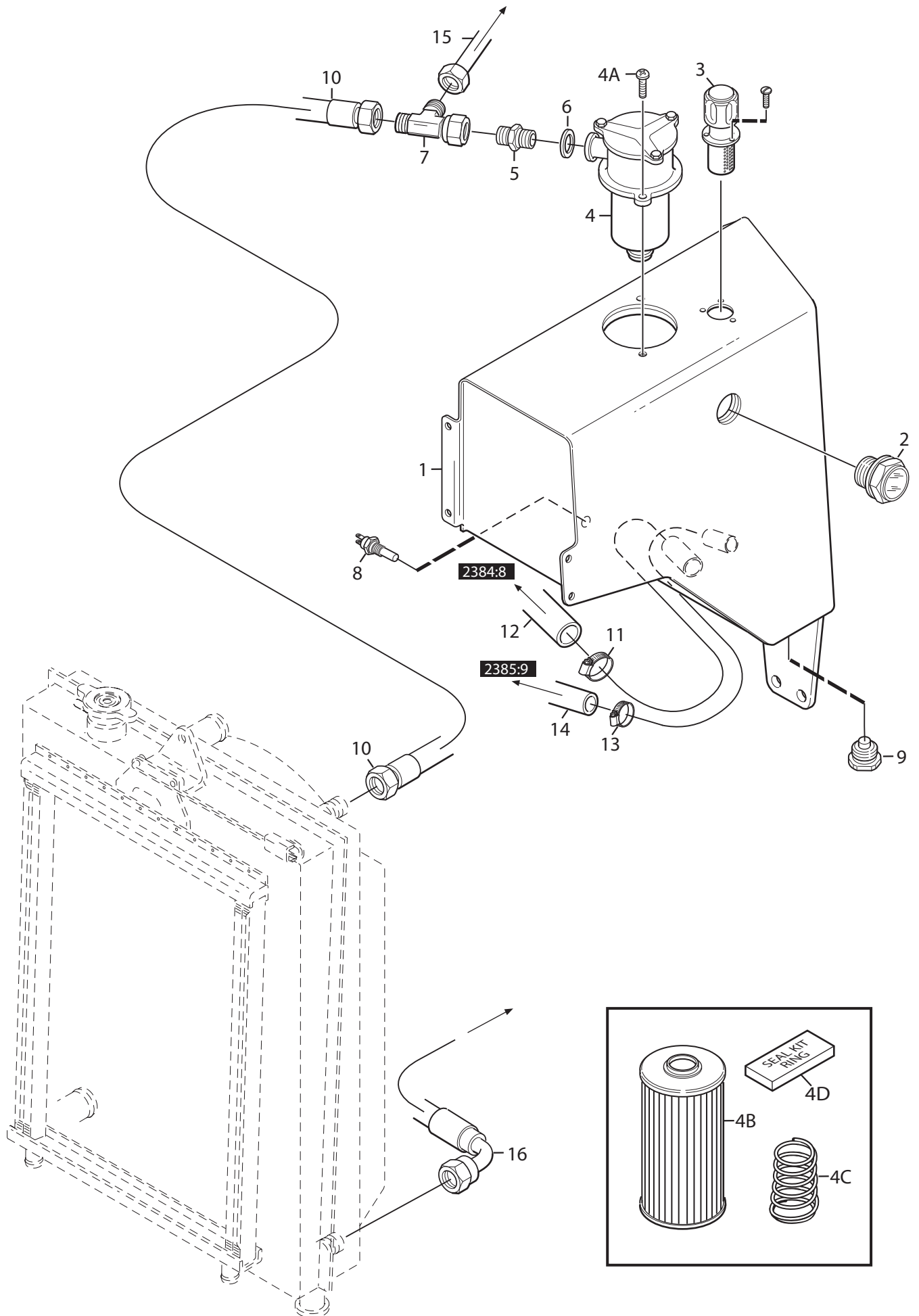
Utgåva Issue 2013-11		Bildnr Picture No Q-021		TITAN HYDROSTATPUMP		HYDRO PUMP		Sida Page 46	
Pos. Fig.	Antal/Quantity				Art nr Part No	Benämning	Description	Sats Kit	Anmärkning Notes
	7454	7460	7461	7462					
1	1	1	1	1	1137-0253-01	Hydraulpump.....	Hydraulic pump		KPS-23 ALPE
2	1	1	1	1	1134-5809-01	Adapter	Hydraulic coupling.....		
3	1	1	1	1	1137-0195-17	Hydraulslang.....	Hydraulic tube.....		
4	1	1	1	1	1137-0772-01	L-koppling	L-Coupling		
5	1	1	1	1	1134-7187-01	Adapter	Hydraulic coupling.....		
6	1	1	1	1	082-043-01	Adapter	Hydraulic coupling.....		
7	1	1	1	1	082-675-01	L-koppling	L-Coupling		
8	1	1	1	1	1137-0195-03	Hydraulslang.....	Hydraulic tube.....		
9	1	1	1	1	1137-0636-01	Hydraulslang.....	Hydraulic tube.....		
10	1	1	1	1	1137-0227-09	Hydraulslang.....	Hydraulic tube.....		
11	2	2	2	2	9997-1035-16	Skruv.....	Screw.....		
12	2	2	2	2	9699-0030-02	Bricka	Washer.....		
13	2	2	2	2	9747-1031-02	Mutter	Nut.....		
14	1	1	1	1	1137-0604-01	Remhjulsdistan.....	Spacer.....		
15	1	1	1	1	9699-0036-02	Bricka	Washer.....		
16	1	1	1	1	9747-1231-02	Mutter	Nut.....		
17	1	1	1	1	1137-0550-01	Remskydd.....	Belt guard.....		
18	3	3	3	3	9959-0616-16	Skruv.....	Screw.....		
19	1	1	1	1	1134-6968-01	Remskiva	Belt pulley.....		
20	1	1	1	1	1137-0517-01	Pumpfäste	Bracket.....		
21	2	2	2	2	1134-9143-01	Kilrem (sats 2 st)	V-belt (kit of 2 pcs)		
22	2	2	2	2	9959-1025-16	Skruv.....	Screw.....		
23	2	2	2	2	9959-0820-16	Skruv.....	Screw.....		
25	1	1	1	1	1137-0526-01	Spännarm.....	Tension arm.....		
26	1	1	1	1	9501-0500-01	Smörjnippel	Grease joint		
27	1	1	1	1	9544-0023-01	Glidlager	Bearing.....		
28	2	2	2	2	1134-6329-02	Spännrulle.....	Tension roller		
29	1	1	1	1	084-232-01	Bricka	Washer.....		
30	1	1	1	1	9747-1031-02	Mutter	Nut.....		
31	1	1	1	1	9997-1040-12	Skruv.....	Screw.....		
32	1	1	1	1	9699-0030-02	Bricka	Washer.....		
33	1	1	1	1	9747-1031-02	Mutter	Nut.....		
36	3	3	3	3	9997-1225-16	Skruv.....	Screw.....		
37	1				1135-2783-01	Motorremskiva	Engine pulley		
37		1	1	1	1135-2518-01	Motorremskiva	Engine pulley		
39	1	1	1	1	1137-0599-01	Dragjäder	Spring.....		
44	2	2	2	2	9997-1065-16	Skruv.....	Screw.....		
45	2	2	2	2	9747-1031-02	Mutter	Nut.....		
46	1	1	1	1	9939-1213-02	Skruv.....	Screw.....		



Utgåva Issue 2013-11		Bildnr Picture No Q-022		TITAN HJULMOTOR-FRAM		WHEEL ENGINES-FRONT		Sida Page 48	
Pos. Fig.	Antal/Quantity				Art nr Part No	Benämning	Description	Sats Kit	Anmärkning Notes
	7454	7460	7461	7462					
1	1	1	1	1	1137-0655-01	Hjulmotor	Wheel engine		(without orifice) (with orifice)
2	1	1	1	1	1137--0654-01	Hjulmotor	Wheel engine		
3	8	8	8	8	9939-1213-02	Skruv.....	Screw.....		
4	8	8	8	8	9699-0036-02	Bricka	Washer.....		
5	2	2	2	2	1137-0755-02	Adapter	Hydraulic coupling.....		
6	1	1	1	1	1137-0633-01	Hydraulslang.....	Hydraulic tube.....		
7	1	1	1	1	1137-0755-01	Adapter	Hydraulic coupling.....		
8	2	2	2	2	1137-0195-14	Hydraulslang.....	Hydraulic tube.....		
9	1	1	1	1	1137-0217-03	Hydraulslang.....	Hydraulic tube.....		
10	1	1	1	1	1137-0756-01	Adapter	Hydraulic coupling.....		
11	1	1	1	1	1137-0757-01	L-koppling	L-Coupling		
12	1	1	1	1	1137-0227-09	Hydraulslang.....	Hydraulic tube.....		
13	1	1	1	1	1137-0756-04	Adapter	Hydraulic coupling.....		
14	1	1	1	1	1137-0632-01	Hydraulslang.....	Hydraulic tube.....		
15	1	1	1	1	1137-0597-01	Fäste	Bracket		
16	2	2	2	2	9959-0816-16	Skruv.....	Screw.....		
17	1	1	1	1	1137-0575-01	Samlingsblock	Collecting block.....		
18	2	2	2	2	081-461-01	Skruv.....	Screw.....		
19	2	2	2	2	9699-0025-02	Bricka	Washer.....		
20	2	2	2	2	9739-0631-22	Mutter	Nut.....		
21	3	3	3	3	1134-7156-01	Adapter	Hydraulic coupling.....		
22	1	1	1	1	1134-7161-01	Adapter	Hydraulic coupling.....		
23	1	1	1	1	1134-7453-01	Plugg.....	Plug		
24	1	1	1	1	082-019-01	Adapter	Hydraulic coupling.....		
25	1	1	1	1	1137-0196-02	Hydraulslang.....	Hydraulic tube.....		
26	1	1	1	1	1137-0217-04	Hydraulslang.....	Hydraulic tube.....		
27	1	1	1	1	1137-0195-15	Hydraulslang.....	Hydraulic tube.....		
30	2	2	2	2	1134-7308-02	Hjul kpl 20".....	Wheel assy 20".....		
30A	2	2	2	2	9545-0127-02	Däck	Tyre		
30B	2	2	2	2	9545-0500-00	Ventil.....	Valve		
30C	2	2	2	2	1134-7309-01	Fälg	Rim.....		
31	2	2	2	2	1134-6971-01	Hjulnav	Hub.....		
32	2	2	2	2	1134-6996-01	Kil	Key.....		
33	2	2	2	2	9781-2431-32	Kronmutter	Nut.....		
34	2	2	2	2	9599-0101-02	Saxpinne	Cotter pin		
35	8	8	8	8	1134-7041-01	Hjulbult.....	Wheel bolt.....		
99	1	1	1	1	9545-0211-01	Innerslang	Inner tube		20" Only as spare part

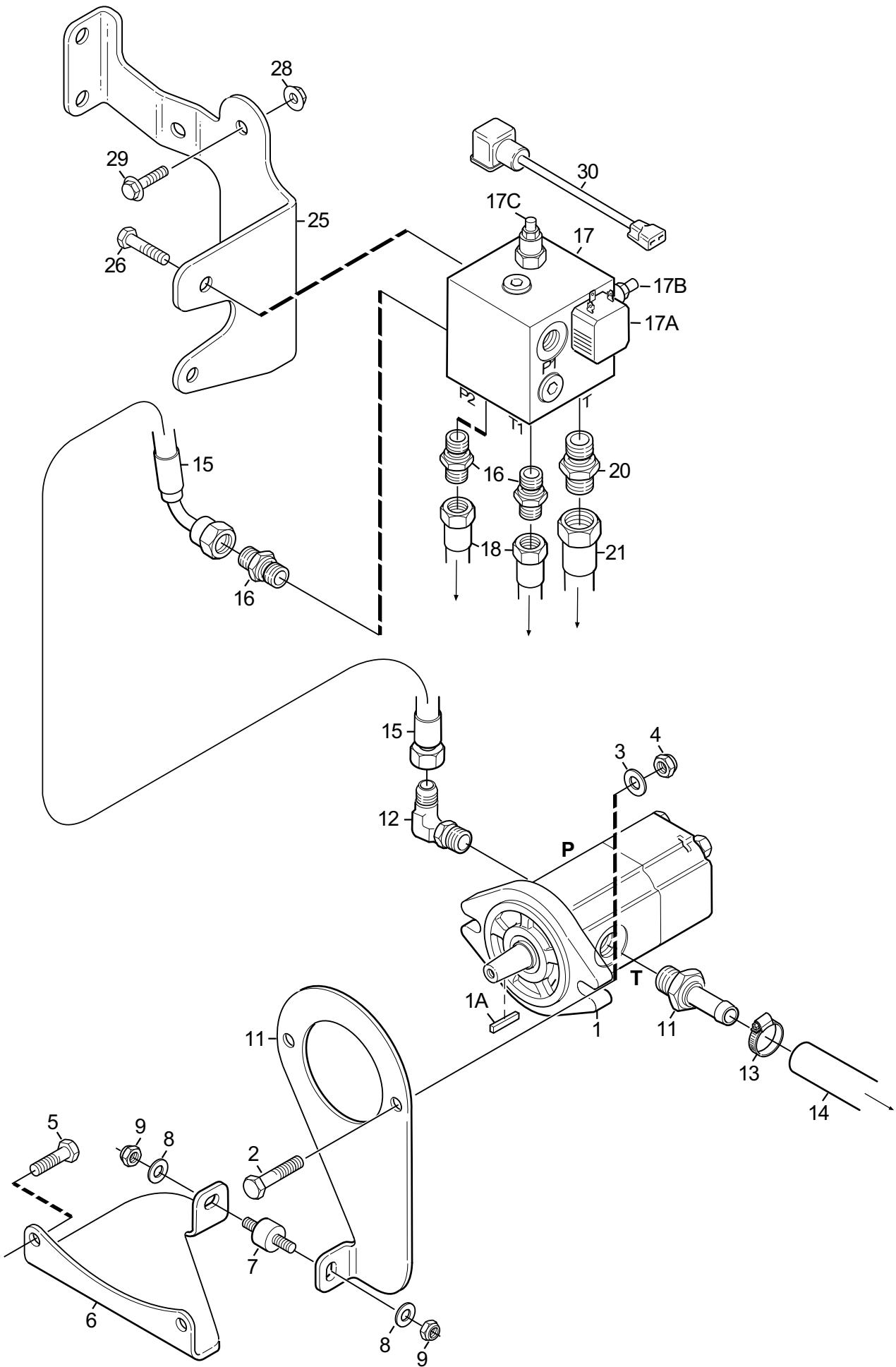


Utgåva Issue 2013-11		Bildnr Picture No Q-023		TITAN HJULMOTOR-BAK		WHEEL ENGINES-REAR		Sida Page 50	
Pos. Fig.	Antal/Quantity				Art nr Part No	Benämning	Description	Sats Kit	Anmärkning Notes
	7454	7460	7461	7462					
1	1	1	1	1	1137-0655-01	Hjulmotor	Wheel engine		(without orifice) (with orifice)
2	1	1	1	1	1137-0654-01	Hjulmotor	Wheel engine		
3	8	8	8	8	9939-1213-02	Skruv.....	Screw.....		
4	8	8	8	8	9699-0036-02	Bricka	Washer.....		
5	3	3	3	3	1137-0756-04	Adapter	Hydraulic coupling.....		
6	3	3	3	3	1137-0755-01	Adapter	Hydraulic coupling.....		
7	1	1	1	1	1137-0196-06	Hydraulslang.....	Hydraulic tube.....		
8	1	1	1	1	1137-0756-01	Adapter	Hydraulic coupling.....		
9	1	1	1	1	1137-0757-01	L-koppling	L-Coupling		
10	1	1	1	1	1137-0218-12	Hydraulslang.....	Hydraulic tube.....		
11	1	1	1	1	1137-0634-01	Hydraulslang.....	Hydraulic tube.....		
12	1	1	1	1	1137-0195-14	Hydraulslang.....	Hydraulic tube.....		
13	1	1	1	1	1137-0633-01	Hydraulslang.....	Hydraulic tube.....		
14	1	1	1	1	1137-0756-02	Adapter	Hydraulic coupling.....		
15	1	1	1	1	1137-0195-16	Hydraulslang.....	Hydraulic tube.....		
16	1	1	1	1	1137-0632-01	Hydraulslang.....	Hydraulic tube.....		
17	1	1	1	1	1137-0555-01	Fäste.....	Bracket		
18	2	2	2	2	9893-0616-16	Skruv.....	Screw.....		
19	1	1	1	1	1137-0574-01	Samlingsblock	Collecting block		
20	2	2	2	2	081-461-01	Skruv.....	Screw.....		
21	2	2	2	2	9699-0025-02	Bricka	Washer.....		
22	2	2	2	2	9739-0631-22	Mutter	Nut.....		
23	1	1	1	1	1134-7073-01	Vinkeladapter.....	Angle coupling.....		
24	2	2	2	2	1134-7156-01	Adapter	Hydraulic coupling.....		
25	1	1	1	1	084-343-01	Vinkeladapter.....	Angle coupling.....		
26	1	1	1	1	1137-0806-01	Adapter	Hydraulic coupling.....		
27	1	1	1	1	1134-7161-01	Adapter	Hydraulic coupling.....		
28	1	1	1	1	1137-0594-01	Hydraulrör	Hydraulic pipe.....		
29	1	1	1	1	1137-0232-03	Hydraulslang.....	Hydraulic tube.....		
30	2	2	2	2	1134-7308-02	Hjul kpl 20".....	Wheel assy 20".....		
30A	2	2	2	2	9545-0127-02	Däck.....	Tyre		
30B	2	2	2	2	9545-0500-00	Ventil.....	Valve		
30C	2	2	2	2	1134-7309-01	Fälg	Rim.....		
31	2	2	2	2	1134-6971-01	Hjulnav	Hub.....		
32	2	2	2	2	1134-6996-01	Kil	Key		
33	2	2	2	2	9781-2431-32	Kronmutter	Nut.....		
34	2	2	2	2	9599-0101-02	Saxpinne	Cotter pin		
35	8	8	8	8	1134-7041-01	Hjulbult.....	Wheel bolt.....		
40	1	1	1	1	1137-0195-17	Hydraulslang.....	Hydraulic tube.....		
41	1	1	1	1	1137-0217-04	Hydraulslang.....	Hydraulic tube.....		
99	1	1	1	1	9545-0211-01	Innerslang	Inner tube		20" Only as spare part



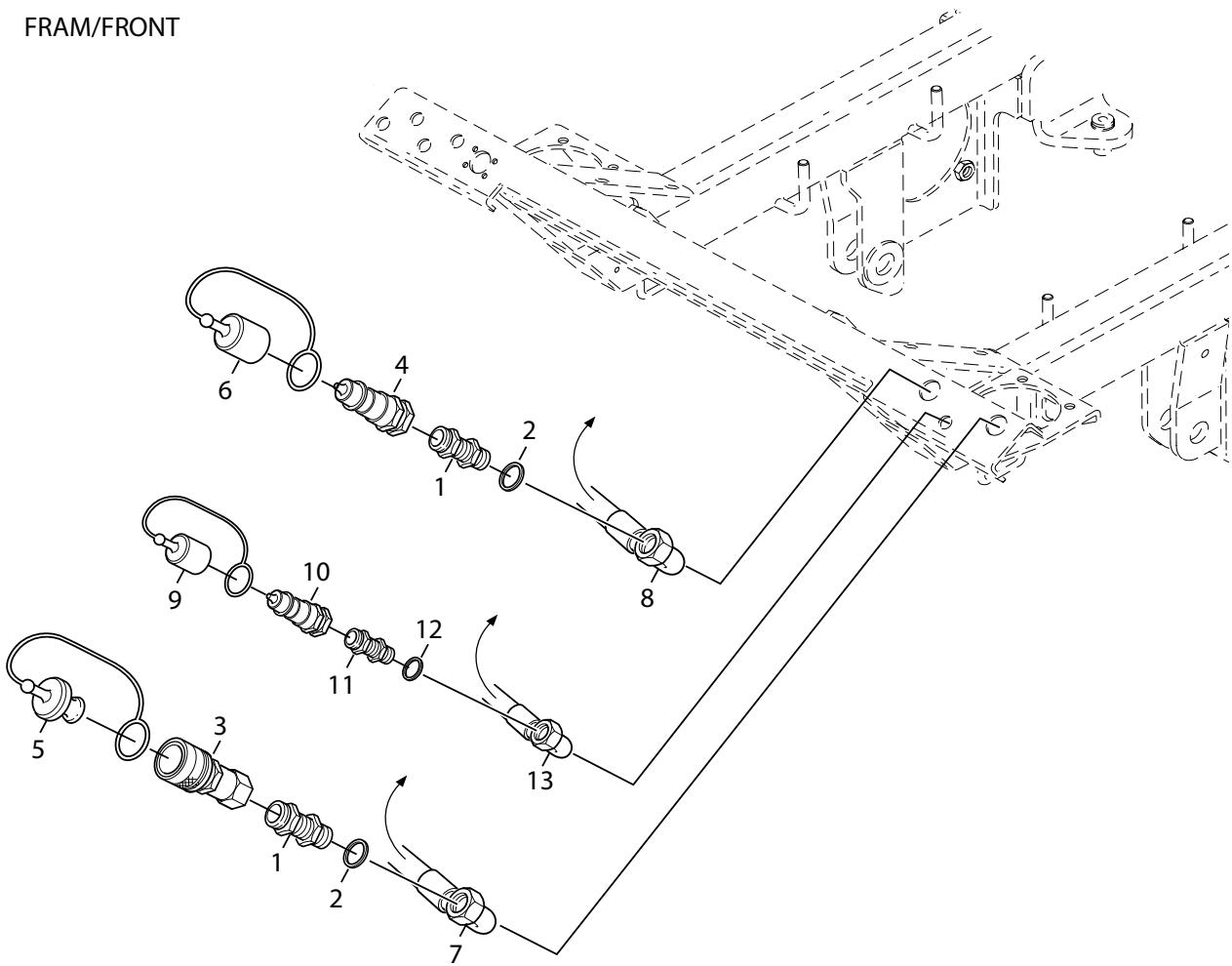
Utgåva Issue 2013-11		Bildnr Picture No Q-024		TITAN OLJETANK OIL TANK			Sida Page 52		
Pos. Fig.	Antal/Quantity				Art nr Part No	Benämning	Description	Sats Kit	Anmärkning Notes
	7454	7460	7461	7462					
1	1	1	1	1	1137-0485-01	Hydrauloljetank	Oil tank.....		
2	1	1	1	1	1137-7379-02	Nivåöga.....	Level eye.....		
3	1	1	1	1	1135-3965-01	Tankventilationsfilter	Tank ventilation.....		
4	1	1	1	1	084-297-01	Returöljefilter	Oil filter-return.....		
4A	2	2	2	2	9939-0820-16	Skruv.....	Screw.....		
4B	1	1	1	1	084-479-01	Filterinsats	Filter element		
4C	1	1	1	1	1139-2087-01	Fjäder.....	Spring.....		
4D	1	1	1	1	1139-2068-01	O-ringsats	Seal kit		
5	1	1	1	1	084-983-01	Adapter	Hydraulic coupling.....		
6	1	1	1	1	1134-4948-01	Tredobricka.....	Seal washer		
7	1	1	1	1	1137-0807-01	L-koppling	L-Coupling		
8	1	1	1	1	084-459-02	Temperaturgivare.....	Temp. Sensor.....		
9	1	1	1	1	1135-2936-02	Magnetplugg.....	Magnet plug		
10	1	1	1	1	1137-0224-02	Hydraulslang.....	Hydraulic tube.....		
11	1	1	1	1	085-520-01	Slangklämma	Hose clamp.....		
12	1	1	1	1	1134-7152-02	Hydraulslang.....	Hydraulic tube.....		
13	1	1	1	1	9578-0031-01	Slangklämma	Hose clamp.....		
14	1	1	1	1	1137-0636-01	Hydraulslang.....	Hydraulic tube.....		
15	1	1	1	1	1137-0594-01	Hydraulrör	Hydraulic pipe.....		
16	1	1	1	1	1137-0633-02	Hydraulslang.....	Hydraulic tube.....		

Not ill (10 my paper)
Not ill
Not ill

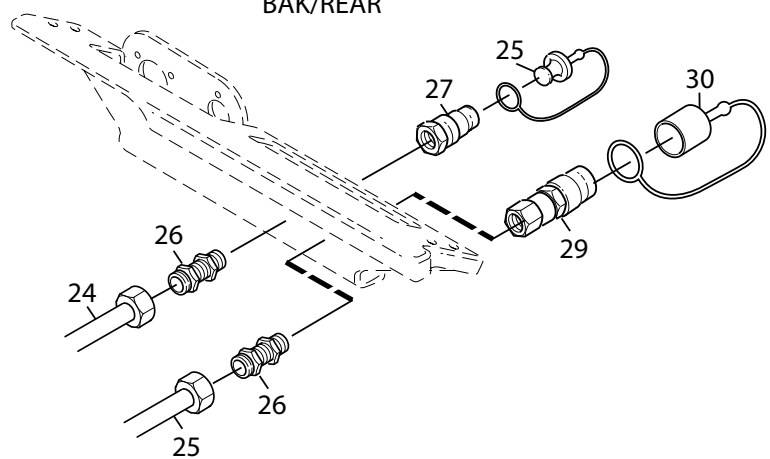


Utgåva Issue 2013-11		Bildnr Picture No Q-025		TITAN PTO			PTO		Sida Page 54	
Pos. Fig.	Antal/Quantity				Art nr Part No	Benämning	Description	Sats Kit	Anmärkning Notes	
	7454	7460	7461	7462						
1	1	1	1	1	1135-2517-01	Hydrostatpump	Hydraulic pump		PTO	
1A	1	1	1	1	1139-0006-01	Kil	Key			
2	2	2	2	2	9997-1035-16	Skruv	Screw			
3	2	2	2	2	9699-0035-02	Bricka	Washer			
4	2	2	2	2	9747-1031-02	Mutter	Nut			
5	2	2	2	2	9997-1225-16	Skruv	Screw			
6	1	1	1	1	1137-0560-01	Konsol	Bracket			
7	1	1	1	1	9550-0008-03	Dämpare	Vibration damper			
8	2	2	2	2	9696-0056-02	Bricka	Washer			
9	2	2	2	2	9747-0831-02	Mutter	Nut			
10	1	1	1	1	1135-2579-01	Arm	Lever			
11	1	1	1	1	1137-0573-01	Slangnippel	Tube coupling			
12	1	1	1	1	1135-3272-01	Vinkelkoppling	Angle coupling			
13	1	1	1	1	085-520-01	Slangklämma	Hose clamp			
14	1	1	1	1	1134-7152-02	Hydraulslang	Hydraulic tube			
15	1	1	1	1	1137-0218-16	Hydraulslang	Hydraulic tube			
16	3	3	3	3	1134-7161-01	Adapter	Hydraulic coupling			
17	1	1	1	1	1134-7127-01	Hydraulventil	Hydraulic valve			
17A	1	1	1	1	1139-2088-02	Elventil inkl magnet	Electric valve w magnet			
17B	1	1	1	1	1139-2089-01	Tryckbegr. Ventil	Relief valve	10 bar		
17C	1	1	1	1	1139-2090-01	Tryckbegr. Ventil	Relief valve	220 bar		
18	1	1	1	1	1137-0218-14	Hydraulslang	Hydraulic tube			
19	1	1	1	1	1137-0218-13	Hydraulslang	Hydraulic tube			
20	1	1	1	1	084-691-01	Adapter	Hydraulic coupling			
21	1	1	1	1	1137-0633-02	Hydraulslang	Hydraulic tube			
25	1	1	1	1	1137-0556-01	Fäste PTO	Bracket PTO			
26	2	2	2	2	9959-0816-16	Skruv	Screw			
27	2	2	2	2	9959-0816-16	Skruv	Screw			
28	2	2	2	2	9739-0831-22	Mutter	Nut			
30	1	1	1	1	1134-7225-01	Kablage PTO	Harness PTO			

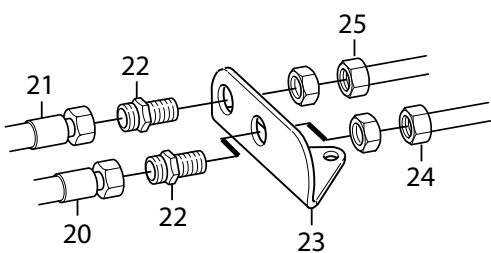
FRAM/FRONT



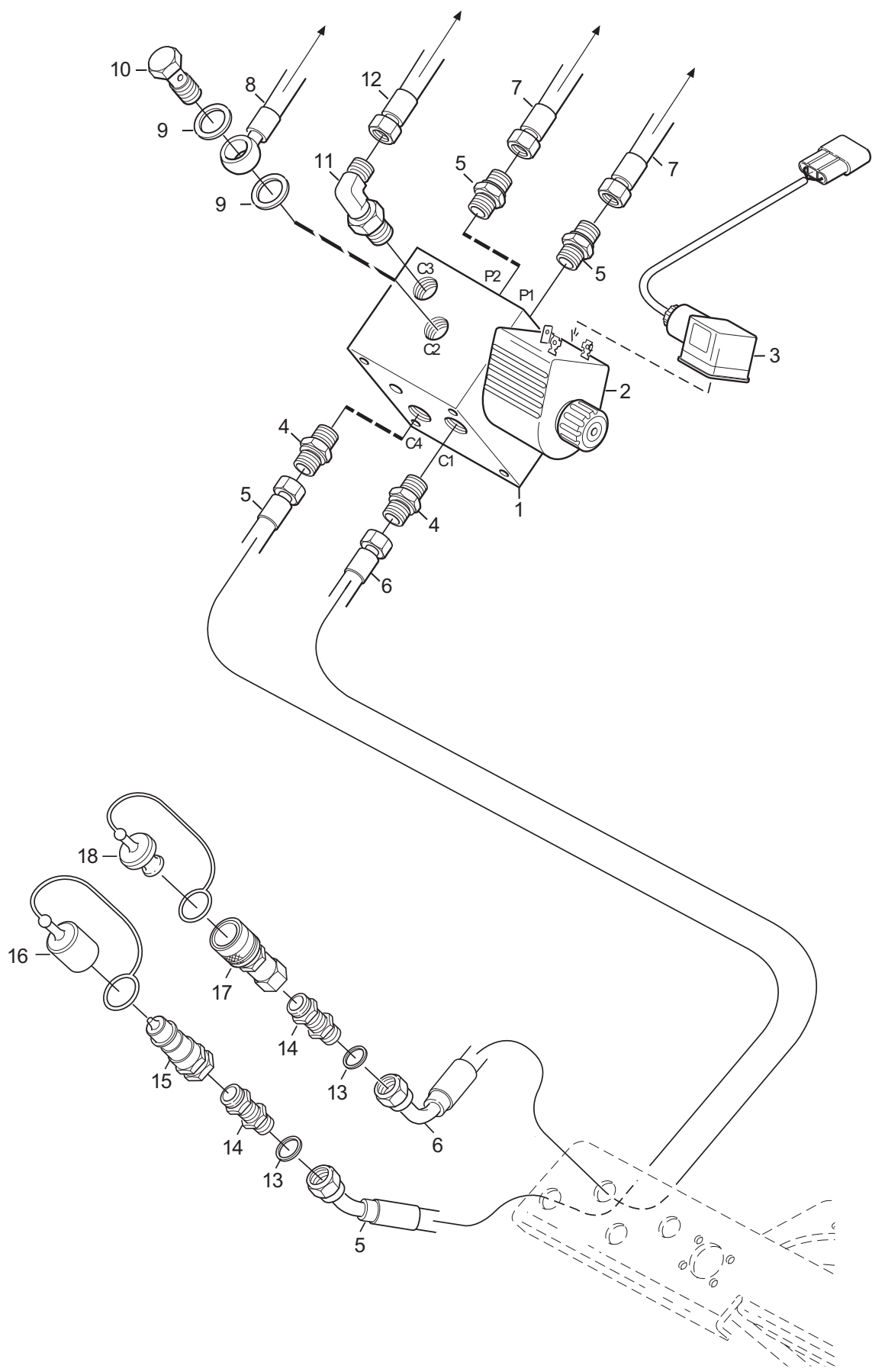
BAK/REAR



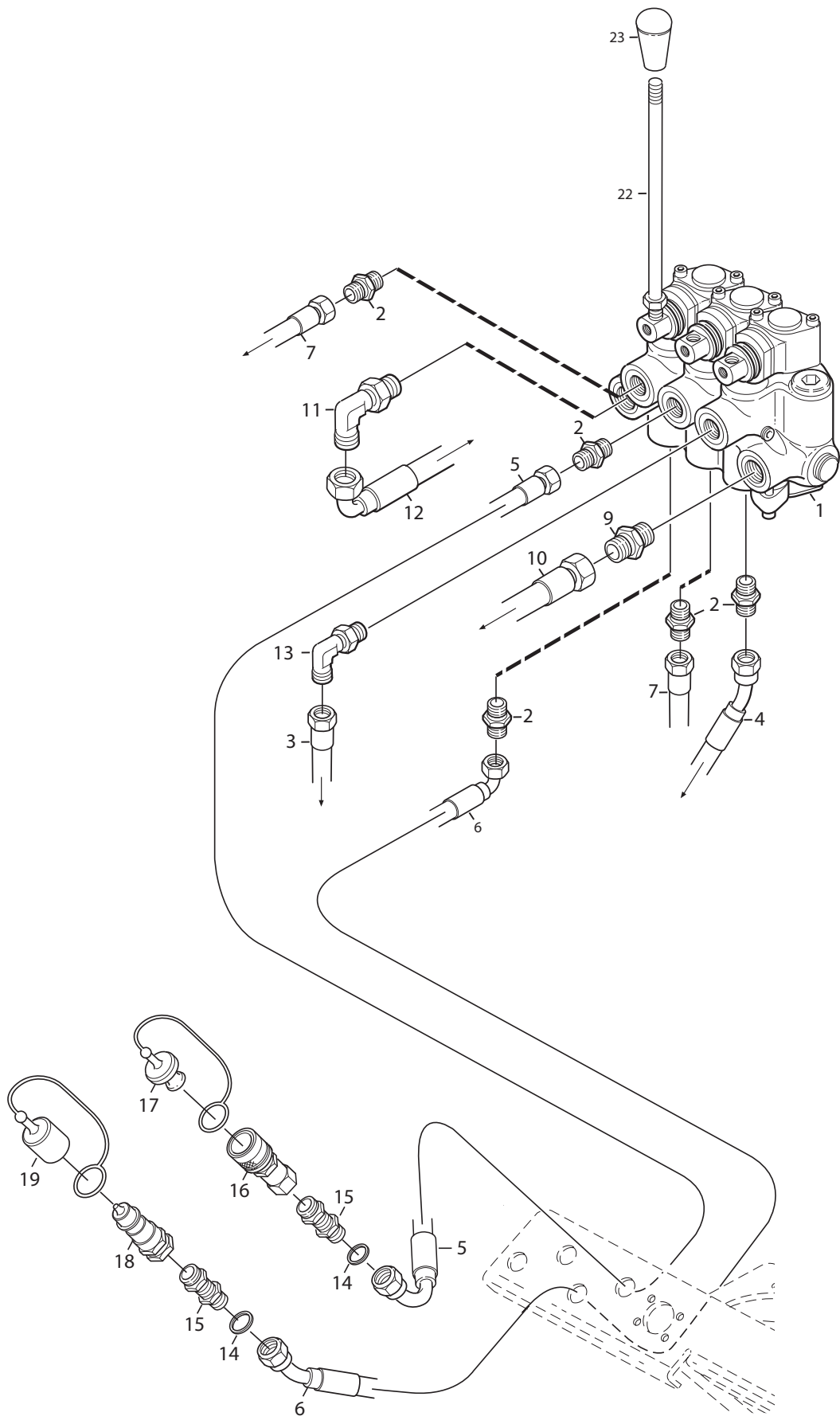
BAK/FRONT



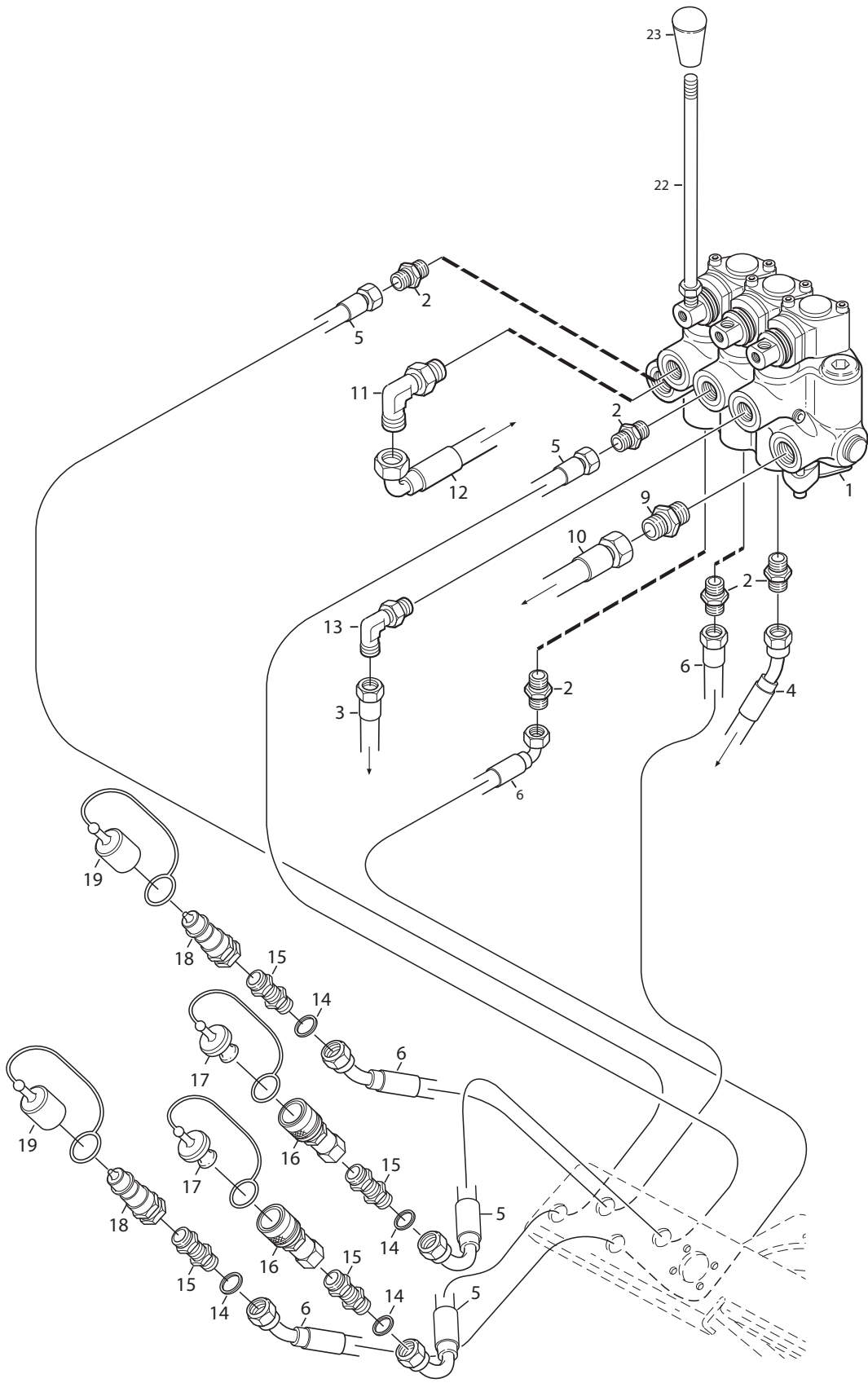
Utgåva Issue 2013-11		Bildnr Picture No Q-026				TITAN PTO OCH REDSKAPSKONTROLL		PTO AND IMPLEMENT CONTROL		Sida Page 56	
Pos. Fig.	Antal/Quantity				Art nr Part No	Benämning	Description	Sats Kit	Anmärkning Notes		
	7454	7460	7461	7462							
1	2	2	2	2	1134-7180-01	Skottgenomgång.....	Hydraulic coupling.....				
2	2	2	2	2	1134-4948-03	Tredobricka.....	Seal washer.....				
3	1	1	1	1	1134-7182-01	Snabbkoppling-hona.....	Quick coupling-female.....				
4	1	1	1	1	1134-7181-01	Snabbkoppling-hane.....	Quick coupling-male.....				
5	1	1	1	1	1134-7184-01	Plastpropp.....	Plastic plug.....				
6	1	1	1	1	1134-7185-01	Plasthätta.....	Plastic cap.....				
7	1	1	1	1	1137-0218-14	Hydraulslang.....	Hydraulic tube.....				
8	1	1	1	1	1137-0218-13	Hydraulslang.....	Hydraulic tube.....				
9	1	1	1	1	1134-7175-01	Dammskydd.....	Dust protection.....				
10	1	1	1	1	1134-6042-01	Snabbkoppling-hane.....	Quick coupling-male.....				
11	1	1	1	1	1134-7296-01	Skottgenomgång.....	Hydraulic coupling.....				
12	1	1	1	1	1134-4948-01	Tredobricka.....	Seal washer.....				
13	1	1	1	1	1137-0232-03	Hydraulslang.....	Hydraulic tube.....				
20	1	1	1	1	1137-0631-01	Hydraulslang.....	Hydraulic tube.....				
21	1	1	1	1	1137-0184-06	Hydraulslang.....	Hydraulic tube.....				
22	2	2	2	2	1137-0774-01	Skottgenomgång.....	Hydraulic coupling.....				
23	1	1	1	1	1137-0562-01	Fäste.....	Bracket.....				
24	1	1	1	1	1137-0595-01	Hydraulrör.....	Hydraulic pipe.....				
25	1	1	1	1	1137-0596-01	Hydraulrör.....	Hydraulic pipe.....				
26	2	2	2	2	1137-0773-01	Skottgenomgång.....	Hydraulic coupling.....				
27	1	1	1	1	1134-6042-01	Snabbkoppling-hane.....	Quick coupling-male.....				
28	1	1	1	1	1134-7175-01	Dammskydd.....	Dust protection.....				
29	1	1	1	1	1134-7172-01	Snabbkoppling-hona.....	Quick coupling-female.....				
30	1	1	1	1	1134-7173-01	Dammskydd.....	Dust protection.....				



Utgåva Issue 2013-11		Bildnr Picture No Q-027		TITAN VÄLJARVENTIL SELECTOR VALVE			Sida Page 58		
Pos. Fig.	Antal/Quantity				Art nr Part No	Benämning	Description	Sats Kit	Anmärkning Notes
	7454	7460	7461	7462					
1		1	1	1	1135-2538-01	Väljarventil	Selector valve		
2		1	1	1	1139-2097-01	Magnetventil	Magnet valve		
3		1	1	1	1137-0903-01	Kablage	Harness		
4		4	4	4	1134-7165-01	Adapter	Hydraulic coupling		
5		1	1	1	1137-0186-04	Hydraulslang	Hydraulic tube		
6		1	1	1	1137-0186-05	Hydraulslang	Hydraulic tube		
7		2	2	2	1137-0185-20	Hydraulslang	Hydraulic tube		
8		1	1	1	1137-0631-01	Hydraulslang	Hydraulic tube		
9		2	2	2	1134-4948-01	Tredobricka	Seal washer		
10		1	1	1	1135-2704-01	Banjoskruv	Banjo bolt		
11		1	1	1	1135-2703-01	Vinkelkoppling	Angle coupling		
12		1	1	1	1137-0184-06	Hydraulslang	Hydraulic tube		
13		2	2	2	1134-4948-01	Tredobricka	Seal washer		
14		2	2	2	1134-7296-01	Skottgenomgång	Hydraulic coupling		
15		1	1	1	1134-7172-01	Snabbkoppling-hona	Quick coupling-female		
16		1	1	1	1134-7173-01	Dammskydd	Dust protection		
17		1	1	1	1134-6042-01	Snabbkoppling-hane	Quick coupling-male		
18		1	1	1	1134-7175-01	Dammskydd	Dust protection		



Utgåva Issue 2013-11		Bildnr Picture No Q-028		TITAN HANDSPAKSVENTIL		HYDRAULIC VALVE		Sida Page 60	
Pos. Fig.	Antal/Quantity				Art nr Part No	Benämning	Description	Sats Kit	Anmärkning Notes
	7454	7460	7461	7462					
1		1	1	1	1137-0641-01	Handspaksventil	Hydraulic valve.....		
2		4	4	4	1134-7165-01	Adapter	Hydraulic coupling.....		
3		1	1	1	1137-0195-15	Hydraulslang.....	Hydraulic tube.....		
4		1	1	1	1137-0196-09	Hydraulslang.....	Hydraulic tube.....		
5		1	1	1	1137-0186-06	Hydraulslang.....	Hydraulic tube.....		
6		1	1	1	1137-0187-04	Hydraulslang.....	Hydraulic tube.....		
7		2	2	2	1137-0185-20	Hydraulslang.....	Hydraulic tube.....		
9		1	1	1	1134-7156-01	Adapter	Hydraulic coupling.....		
10		1	1	1	1137-0196-05	Hydraulslang.....	Hydraulic tube.....		
11		1	1	1	1134-7073-01	Vinkeladapter.....	Angle coupling.....		
12		1	1	1	1137-0195-15	Hydraulslang.....	Hydraulic tube.....		
13		1	1	1	1135-2906-01	Vinkelstrypnippel	Angle coupling.....		
14		2	2	2	1134-4948-01	Tredobricka.....	Seal washer		
15		2	2	2	1134-7296-01	Skottgenomgång	Hydraulic coupling.....		
16		1	1	1	1134-7172-01	Snabbkoppling-hona	Quick coupling-female.....		
17		1	1	1	1134-7173-01	Dammskydd.....	Dust protection.....		
18		1	1	1	1134-6042-01	Snabbkoppling-hane.....	Quick coupling-male.....		
19		1	1	1	1134-7175-01	Dammskydd.....	Dust protection.....		



Utgåva Issue 2013-11		Bildnr Picture No Q-029				TITAN HANDSPAKSVENTIL		HYDRAULIC VALVE		Sida Page 62	
Pos. Fig.	Antal/Quantity				Art nr Part No	Benämning	Description	Sats Kit	Anmärkning Notes		
	7454	7460	7461	7462							
1	1				1137-0641-01	Handspaksventil	Hydraulic valve.....				
2	4				1134-7165-01	Adapter	Hydraulic coupling.....				
3	1				1137-0195-15	Hydraulslang.....	Hydraulic tube.....				
4	1				1137-0196-09	Hydraulslang.....	Hydraulic tube.....				
5	2				1137-0186-06	Hydraulslang.....	Hydraulic tube.....				
6	2				1137-0187-04	Hydraulslang.....	Hydraulic tube.....				
9	1				1134-7156-01	Adapter	Hydraulic coupling.....				
10	1				1137-0196-05	Hydraulslang.....	Hydraulic tube.....				
11	1				1134-7073-01	Vinkeladapter.....	Angle coupling.....				
12	1				1137-0195-15	Hydraulslang.....	Hydraulic tube.....				
13	1				1135-2906-01	Vinkelstryppnippel	Angle coupling.....				
14	4				1134-4948-01	Tredobricka.....	Seal washer				
15	4				1134-7296-01	Skottgenomgång.....	Hydraulic coupling.....				
16	2				1134-7172-01	Snabbkoppling-hona	Quick coupling-female.....				
17	2				1134-7173-01	Dammskydd.....	Dust protection.....				
18	2				1134-6042-01	Snabbkoppling-hane.....	Quick coupling-male.....				
19	2				1134-7175-01	Dammskydd.....	Dust protection.....				