

# Genuine Spare Parts

www.stiga.com

## PARK Consumer High 4WD

includes:

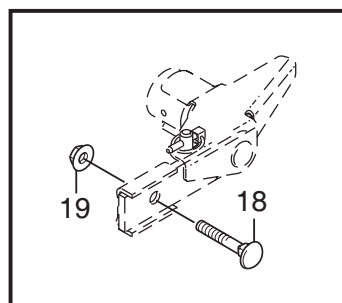
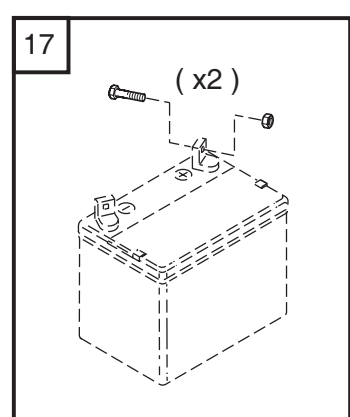
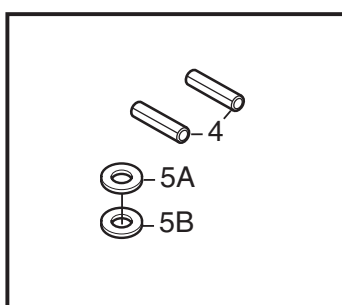
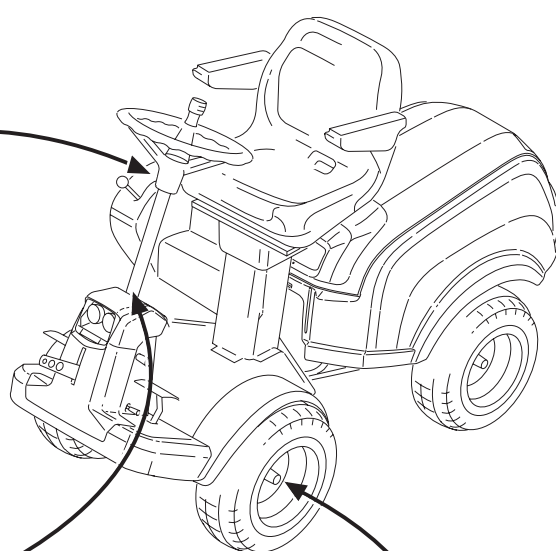
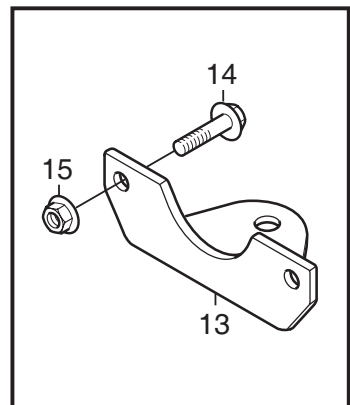
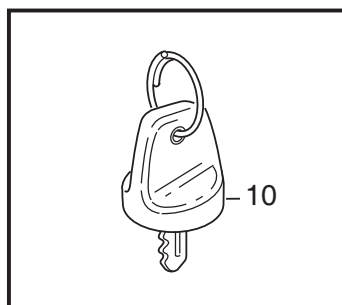
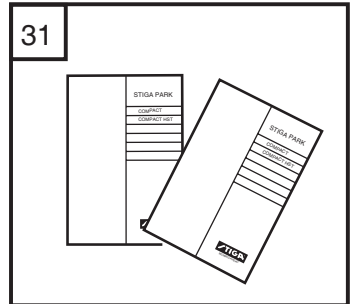
13-6377-11 Park Prestige  
13-6377-31 Park Prestige (FR)  
13-6375-73 Park Power 16 4WD  
13-6378-11 Park Residence  
13-6378-31 Park Residence (FR)  
13-6312-11 Park Royal  
13-6312-31 Park Royal (FR)  
13-6375-11 Park Power 4 WD

- Use GLOBAL GARDEN PRODUCT Genuine Spare Parts specified in the parts list for repair and/or replacement.
- The contents described in the parts list may change due to improvement.
- The drawings of the spare parts are only indicative and might not represent the part in question exactly.
- The indications "right" - "left" - "front" - "rear" refer to the position of the operator when using the machine.
- When placing orders of parts for repair and/or replacement, make sure that the illustrated parts list is the one applying to the machine's year of manufacture, as shown on the identification plate attached to the machine.

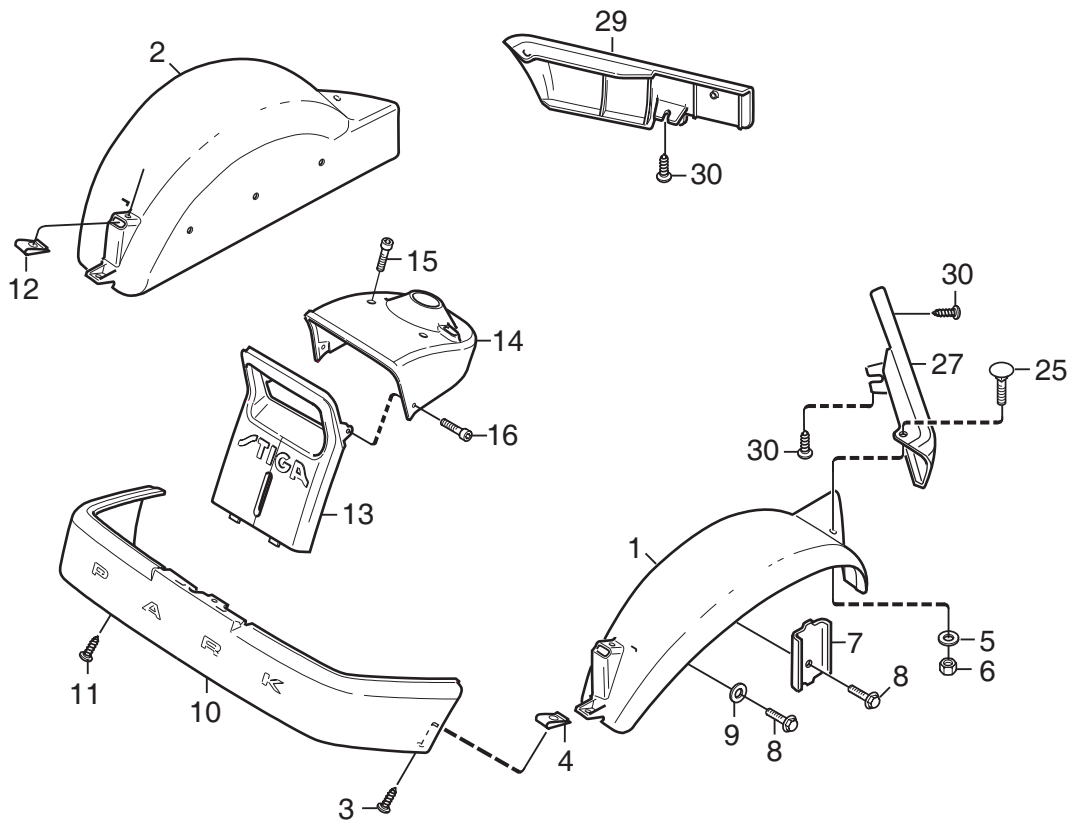
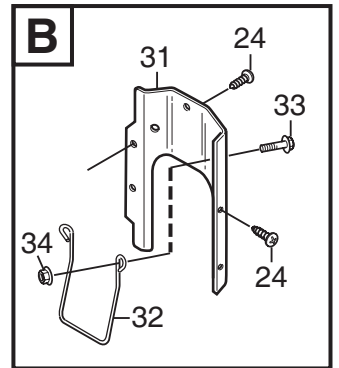
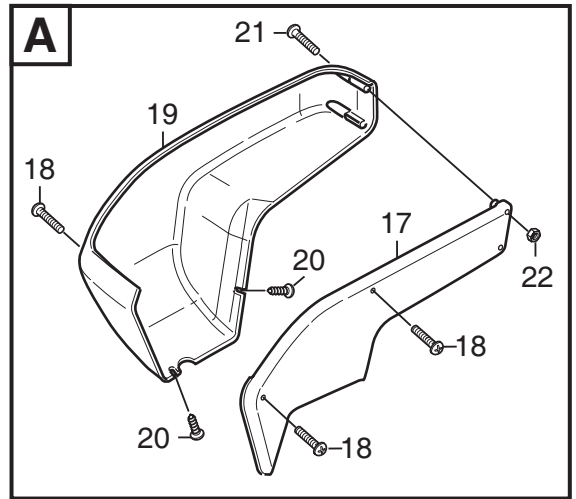
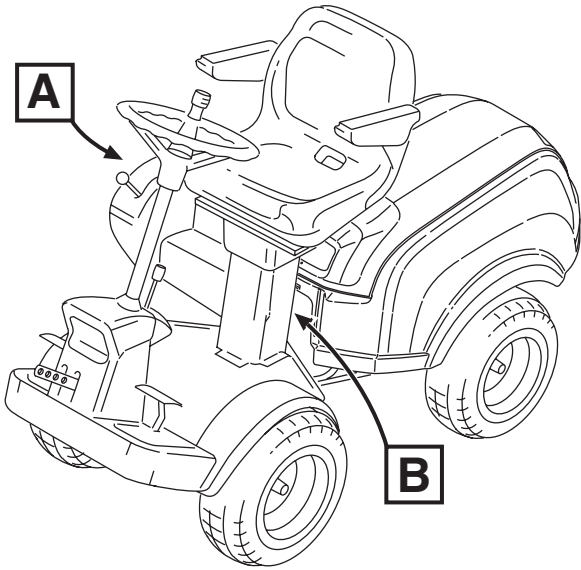
COPYRIGHT by GLOBAL GARDEN PRODUCTS

All rights reserved. No part of this material may be reproduced or transmitted, in any form or by any means, electronic or mechanical, including photocopying, recording or by any information storage and retrieval system, without permission in writing from GLOBAL GARDEN PRODUCTS.

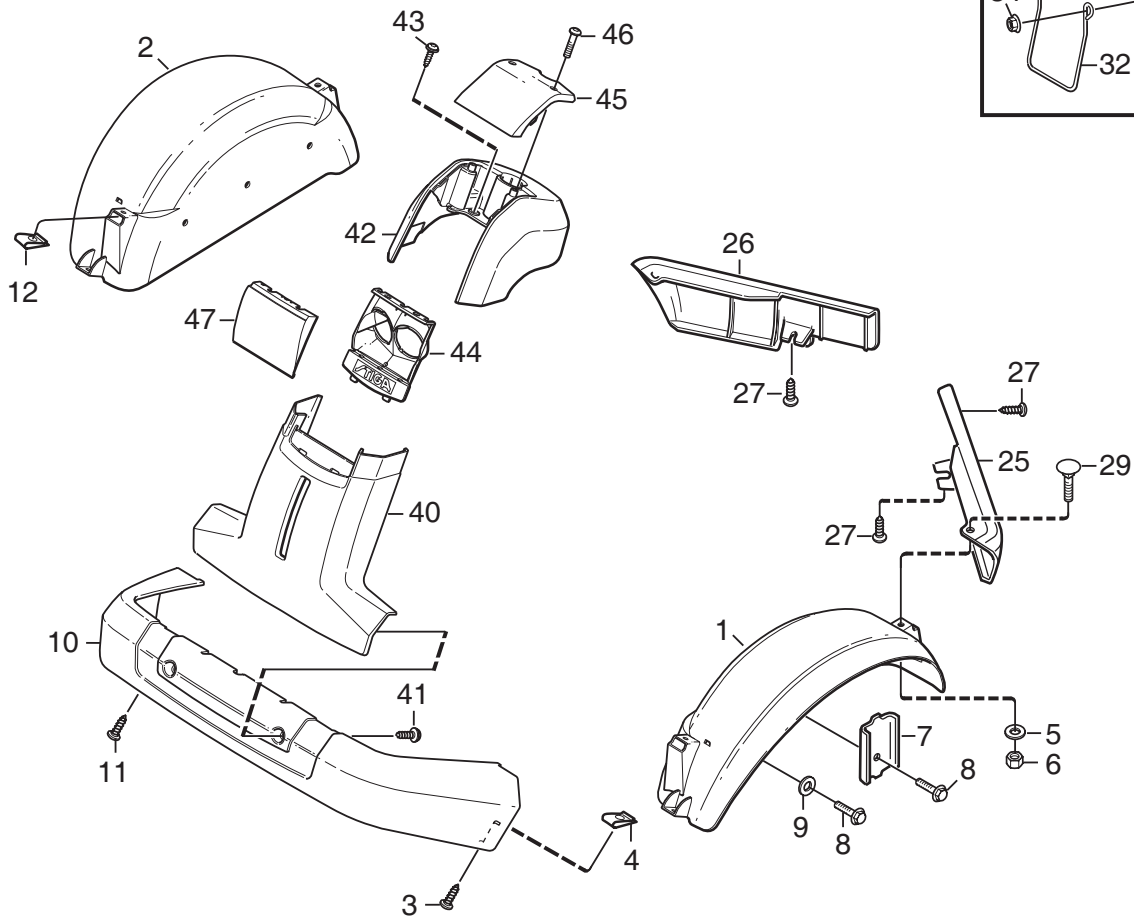
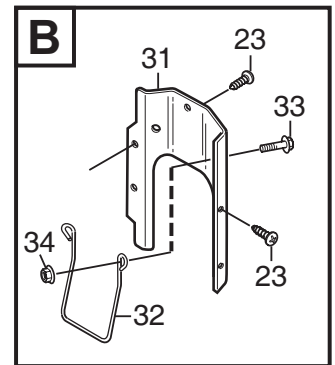
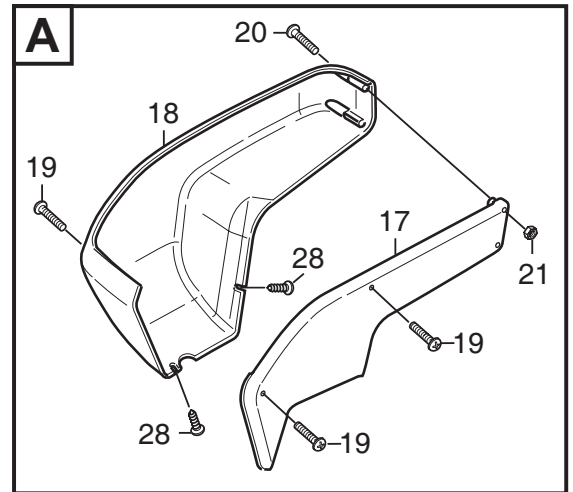
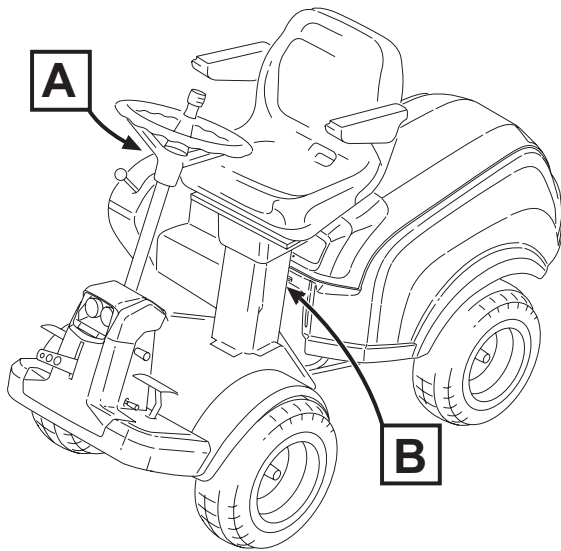




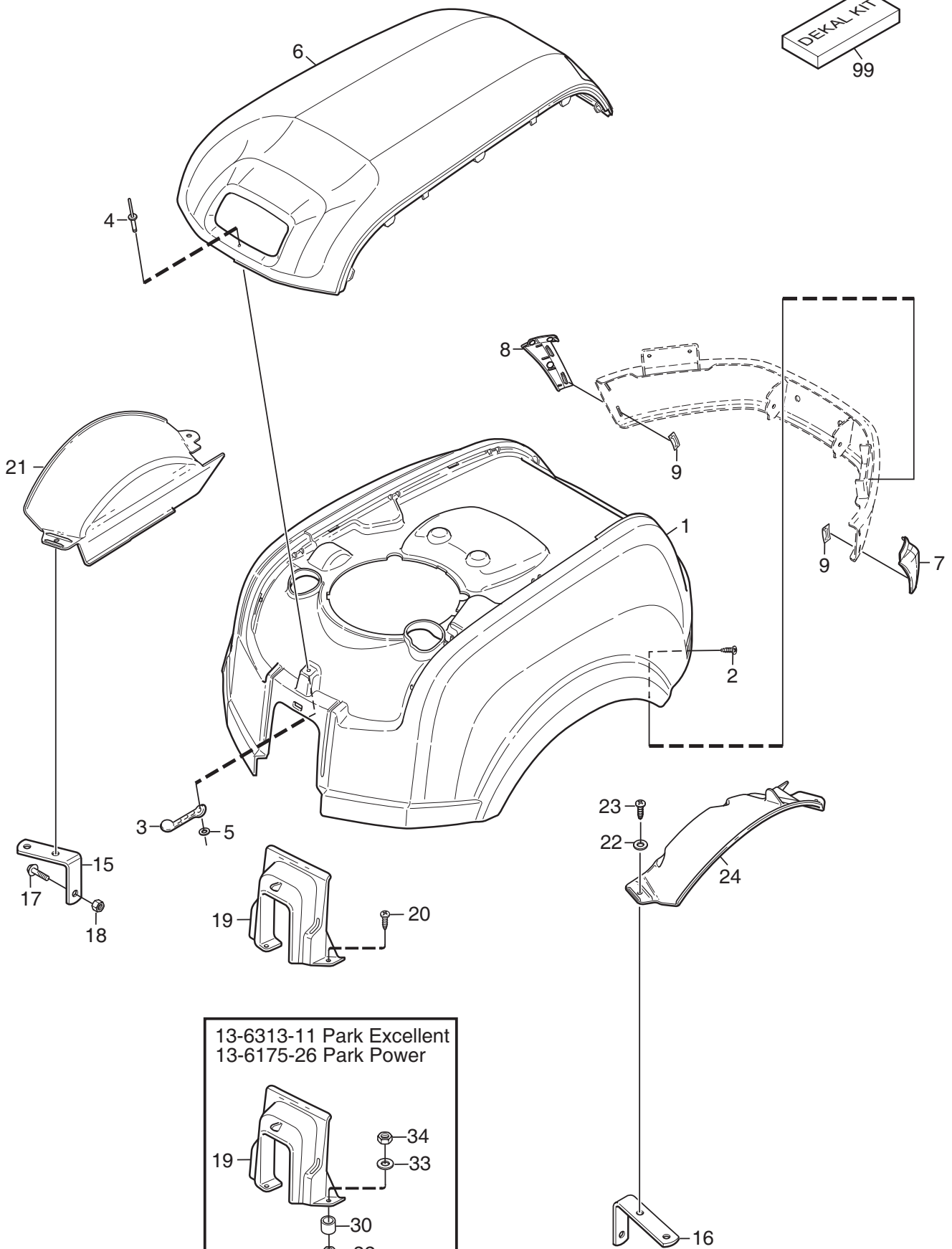
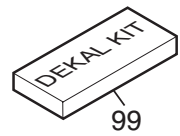
Utgåva Issue		Bildnr Picture No		PARK 4WD MONTERINGSDETALJER		PARK 4WD ASSEMBLY PARTS		Sida Page	
2011- 11		2014E						110	
Pos. Fig.	Antal/Quantity				Art nr Part No	Benämning	Description	Sats Kit	Anmärkning Notes
	6377 6378 6312	6377 6378 6312 FR	6175 -26						
4	2	2	2		9595-0262-00	Spännstift .....	Locating pin .....		
5A	1	1	1		9699-0103-02	Shims .....	Flat washer .....		0.5 mm
5B	1	1	1		9699-0114-02	Shims .....	Flat washer .....		1.0 mm
10	2	2	2		1134-4734-01	Tändningsnyckel.....	Ignition key .....		
13	1	1	1		1134-5512-01	Dragplåt.....	Towing plate.....		
14	2	2	2		9959-0820-16	Skruv.....	Screw.....		
15	2	2	2		9739-0831-22	Mutter.....	Nut .....		
17	1	1	1		1134-6113-02	Batteriskruvar .....	Battery screws .....		
18	2	2	2		9898-1035-16	Skruv.....	Screw.....		
19	2	2	2		9739-1031-22	Mutter.....	Nut .....		
X 31	1				8211-0003-11	Bruksanvisning .....	Owner's manual .....		
X 31			1		8211-0039-00	Bruksanvisning .....	Owner's manual .....		Park Power
X 31		1			8211-0052-10	Bruksanvisning .....	Owner's manual .....		France
X 31	1		1		8211-0604-10	Monteringsanvisning .....	Assy instructions .....		
X 31	1		1		8211-0701-10	Säkerhetsföreskrifter .....	Safety regulations .....		
X 31	1	1	1		8211-0901-10	Servicebok.....	Service book .....		
X 31	1	1	1		8211-0960-10	Garantikort.....	Warranty card .....		



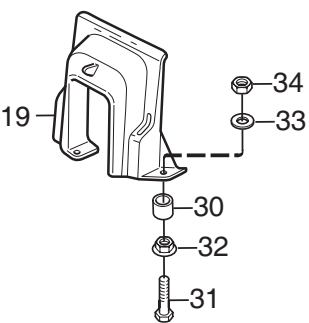
Utgåva Issue 2011-11		Bildnr Picture No 2015C		PARK 4WD POWER KAROSS-FRAM		PARK 4WD POWER BODY WORK-FRONT		Sida Page 112	
Pos. Fig.	Antal/Quantity				Art nr Part No	Benämning	Description	Sats Kit	Anmärkning Notes
	6175 -26								
1	1				1134-3943-01	Skärm- vä, gul .....	Mud guard- LH, yell.....		
2	1				1134-3943-02	Skärm- hö, gul .....	Mud guard- RH, yell. ....		
3	2				9893-0616-16	Skruv .....	Screw .....		
4	4				1134-4176-01	Clips .....	Clips .....		
5	2				9699-0060-02	Planbricka.....	Flat washer.....		
6	2				9747-0631-02	Låsmutter .....	Lock nut .....		
7	2				1137-0088-01	Stödplåt .....	Support plate .....		
8	6				9945-0816-16	Skruv .....	Screw .....		
9	4				9699-0056-02	Planbricka.....	Flat washer.....		
10	1				1134-4220-02	Stötfångare- grå.....	Bumper- grey .....		
11	6				9893-0616-16	Skruv .....	Screw .....		
12	2				1134-4176-01	Clips .....	Clips .....		
13	1				1134-4216-05	Frontdekor- gul .....	Front plate- yellow.....		
14	1				1134-3984-03	Frontdekor övre- gul .....	Front plate upper- yel .....		
15	2				9946-0525-16	Skruv .....	Screw .....		
16	2				9840-8013-16	Skruv .....	Screw .....		
17	1				1134-4360-01	Kåpa- inre .....	Cover- inner .....		
18	3				9946-0525-16	Skruv .....	Screw .....		
19	1				1134-3979-01	Kåpa- yttre .....	Cover- outer .....		
20	2				9840-8013-16	Skruv .....	Screw .....		
21	2				9950-0570-12	Skruv .....	Screw .....		
22	2				9747-0531-02	Mutter .....	Nut .....		
24	4				9893-0616-16	Skruv .....	Screw .....		
25	2				9897-0616-16	Vagnsbult .....	Carriage bolt .....		
27	1				1134-3970-05	Kantlist- vä, grå.....	Moulding- LH, grey .....		
29	1				1134-3970-02	Kantlist- hö, grå .....	Moulding- RH, grey .....		
30	4				9893-0616-16	Skruv .....	Screw .....		
31	1				1134-6461-01	Bakstycke .....	Rear plate.....		
32	1				1134-6460-01	Skyddsbygel .....	Protective loop .....		
33	2				9959-0820-16	Skruv .....	Screw .....		
34	2				9739-0831-22	Mutter.....	Nut .....		



Utgåva Issue 2011- 11		Bildnr Picture No 2820A		PARK 4WD PRESTIGE- RESIDENCE- ROYAL KAROSS- FRAM		PARK 4WD PRESTIGE- RESIDENCE- ROYAL BODY WORK- FRONT		Sida Page 114	
Pos. Fig.	Antal/Quantity				Art nr Part No	Benämning	Description	Sats Kit	Anmärkning Notes
	6377	6378	6312						
1	1				1137- 0048- 01	Skärm- vä, grå .....	Mud guard- LH, grey .....		
2	1				1137- 0048- 02	Skärm- hö, grå .....	Mud guard- RH, grey .....		
3	2				9893- 0616- 16	Skruv .....	Screw .....		
4	2				1134- 4176- 01	Clips .....	Clips .....		
5	2				9699- 0060- 02	Planbricka .....	Flat washer .....		
6	2				9747- 0631- 02	Låsmutter .....	Lock nut .....		
7	2				1137- 0088- 01	Stödplåt .....	Support plate .....		
8	6				9945- 0816- 16	Skruv .....	Screw .....		
9	4				9699- 0056- 02	Planbricka .....	Flat washer .....		
10	1				1137- 0049- 01	Stötfångare- grå .....	Bumper- grey .....		
11	6				9893- 0616- 16	Skruv .....	Screw .....		
12	2				1134- 4176- 01	Clips .....	Clips .....		
17	1				1134- 4360- 01	Kåpa- inre .....	Cover- inner .....		
18	1				1134- 3979- 01	Kåpa- yttre .....	Cover- outer .....		
19	3				9946- 0525- 16	Skruv .....	Screw .....		
20	2				9950- 0570- 12	Skruv .....	Screw .....		
21	2				9747- 0531- 02	Mutter .....	Nut .....		
23	4				9893- 0616- 16	Skruv .....	Screw .....		
25	1				1134- 3970- 05	Kantlist- vä, grå .....	Moulding- LH, grey .....		
26	1				1134- 3970- 02	Kantlist- hö, grå .....	Moulding- RH, grey .....		
27	4				9893- 0616- 16	Skruv .....	Screw .....		
28	2				9840- 8013- 16	Skruv .....	Screw .....		
29	2				9897- 0616- 16	Vagnsbult .....	Carriage bolt .....		
31	1				1134- 6461- 01	Bakstycke .....	Rear plate .....		
32	1				1134- 6460- 01	Skyddsbygel .....	Protective loop .....		
33	2				9959- 0820- 16	Skruv .....	Screw .....		
34	2				9739- 0831- 22	Mutter .....	Nut .....		
40	1				1137- 0050- 01	Frontkåpa- nedre .....	Front panel- lower .....		
41	2				9838- 9516- 12	Skruv .....	Screw .....		
42	1				1137- 0051- 01	Frontkåpa- övre .....	Front panel- upper .....		
43	2				9946- 0525- 16	Skruv .....	Screw .....		
44	1				1137- 0052- 01	Lamphållare .....	Lamp holder .....		
45	1				1137- 0053- 01	Toppkåpa .....	Top panel .....		
46	2				9838- 9516- 12	Skruv .....	Screw .....		
47	1				1137- 0054- 01	Lampglas .....	Lamp glass .....		

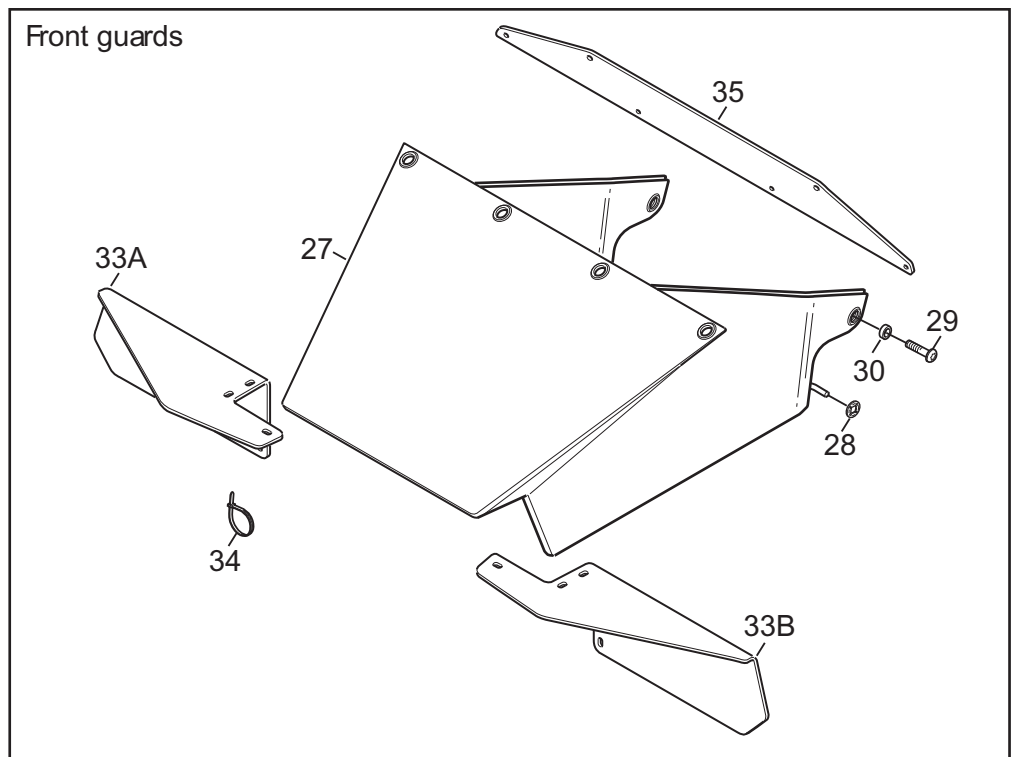
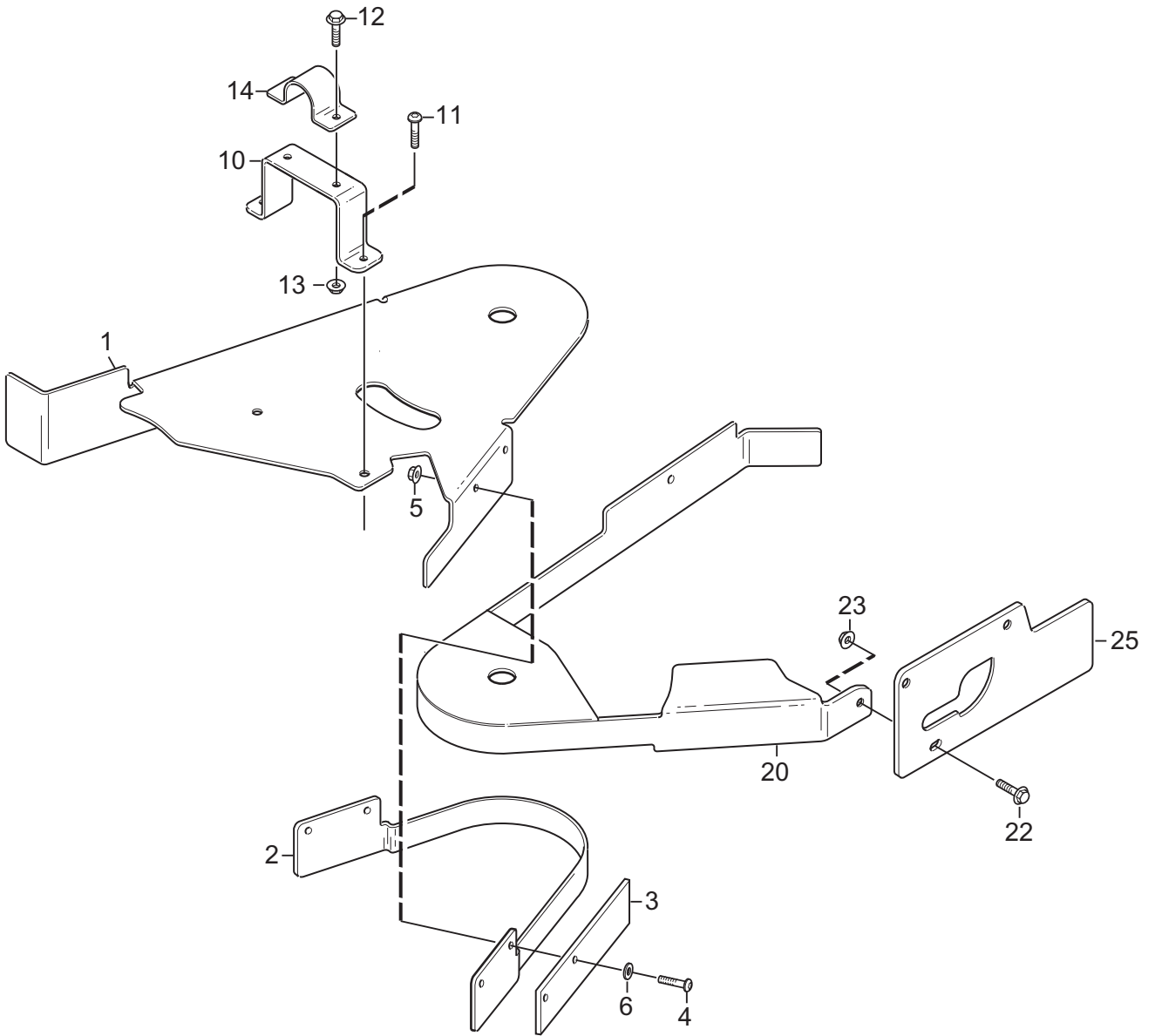


13-6313-11 Park Excellent  
13-6175-26 Park Power

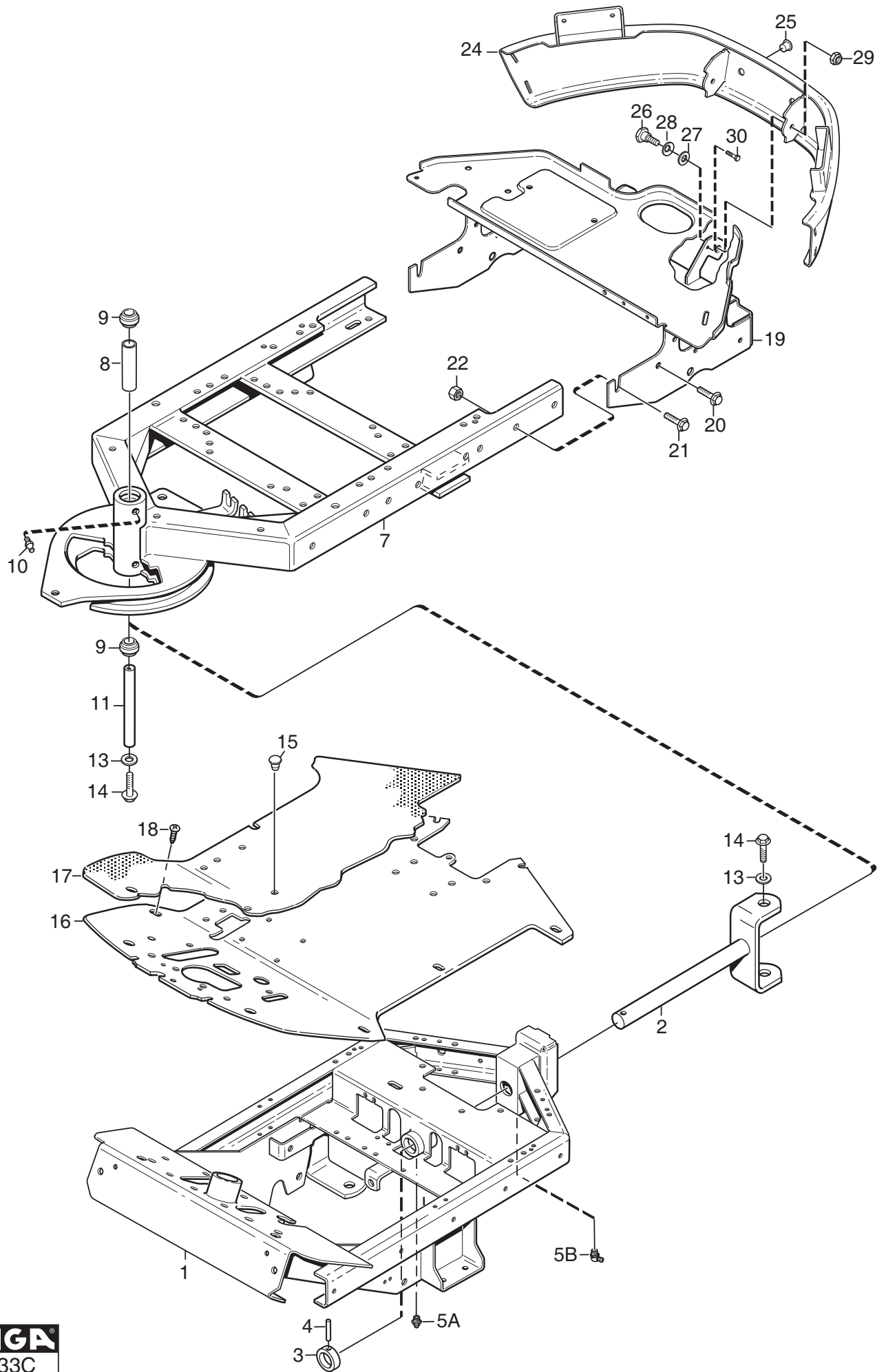




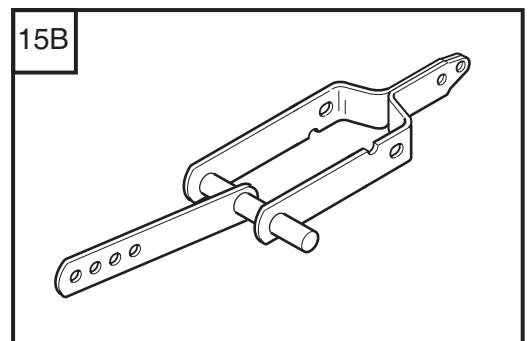
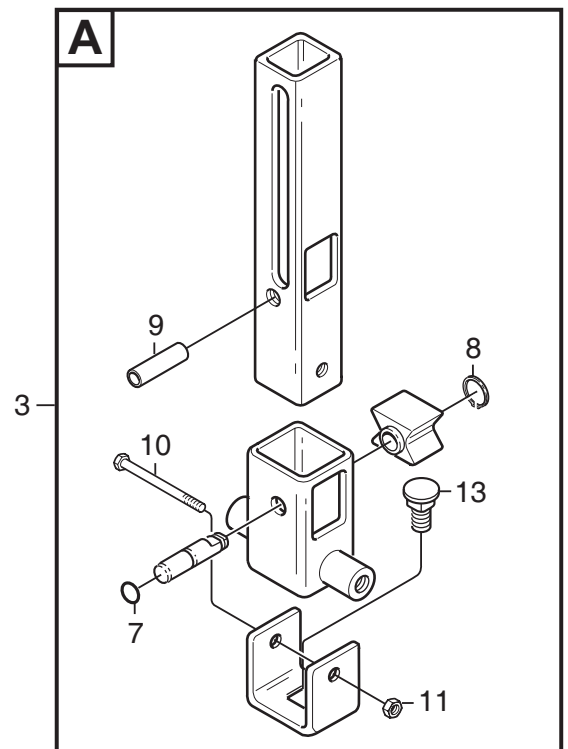
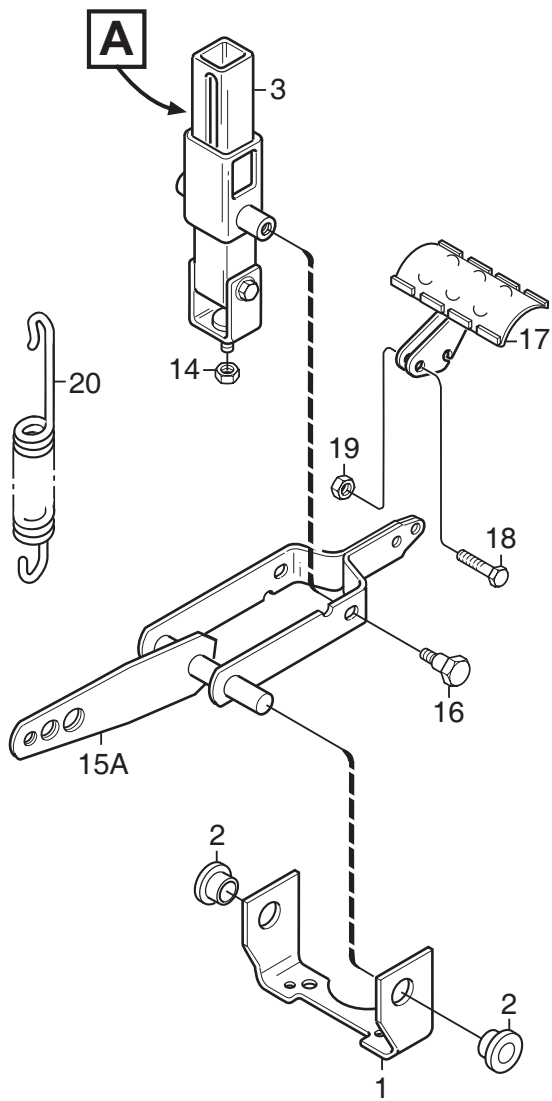
Utgåva Issue 2011-11		Bildnr Picture No 2016C		PARK 4WD KAROSS- BAK		PARK 4WD BODY WORK- REAR		Sida Page 116	
Pos. Fig.	Antal/Quantity				Art nr Part No	Benämning	Description	Sats Kit	Anmärkning Notes
	6377	6175 -26	6378	6312					
1	1	1	1	1	1134-6025-01	Motorhuv.....	Engine hood.....		
2	4	4	4	4	9893-0616-16	Skruv.....	Screw.....		
3	1	1	1	1	1134-9028-01	Gummistropp- sats.....	Rubber strap kit.....		Sats 3 st/kit of 3
4	1	1	1	1	9632-0513-00	Popnit.....	Pop rivet.....		
5	1	1	1	1	9699-0120-02	Bricka.....	Washer.....		
6	1	1	1	1	1134-6026-01	Motorlucka.....	Engine cover.....		
7	1	1	1	1	1134-6027-01	Ändavslut- vä.....	Bumper end- LH.....		
8	1	1	1	1	1134-6027-02	Ändavslut- hö.....	Bumper end- RH.....		
9	4	4	4	4	1134-6310-01	Clips.....	Clips.....		
15	1	1		1	1134-4012-03	Stödkonsol- hö.....	Support- RH.....		
16	1	1		1	1134-4012-04	Stödkonsol- vä.....	Support- LH.....		
17	1	1		1	9959-0820-16	Skruv.....	Screw.....		
18	1	1		1	9739-0831-22	Mutter.....	Nut.....		
19	1	1	1	1	1134-6241-01	Huvstöd.....	Hood support.....		
20	3		3	3	9893-0616-16	Skruv.....	Screw.....		
21	1	1		1	1134-4800-01	Innerskärm- hö.....	Inner mud guard- RH.....		
22	4	4		4	9699-0060-02	Planbricka.....	Flat washer.....		
23	4	4		4	9893-0616-16	Skruv.....	Screw.....		
24	1	1		1	1134-4801-01	Innerskärm- vä.....	Inner mud guard- LH.....		
30		3			1137-0020-01	Distans.....	Spacer.....		
31		3			9997-0535-16	Skruv.....	Screw.....		
32		3			9739-0531-22	Mutter.....	Nut.....		
33		3			9699-0099-02	Bricka.....	Washer.....		
34		3			9747-0531-02	Mutter.....	Nut.....		
99				1	1134-6443-02	Dekalsats.....	Decal kit.....		Royal
99		1			1134-6443-06	Dekalsats.....	Decal kit.....		Power
99	1				1134-6443-07	Dekalsats.....	Decal kit.....		Prestige
99			1		1134-6443-08	Dekalsats.....	Decal kit.....		Residence



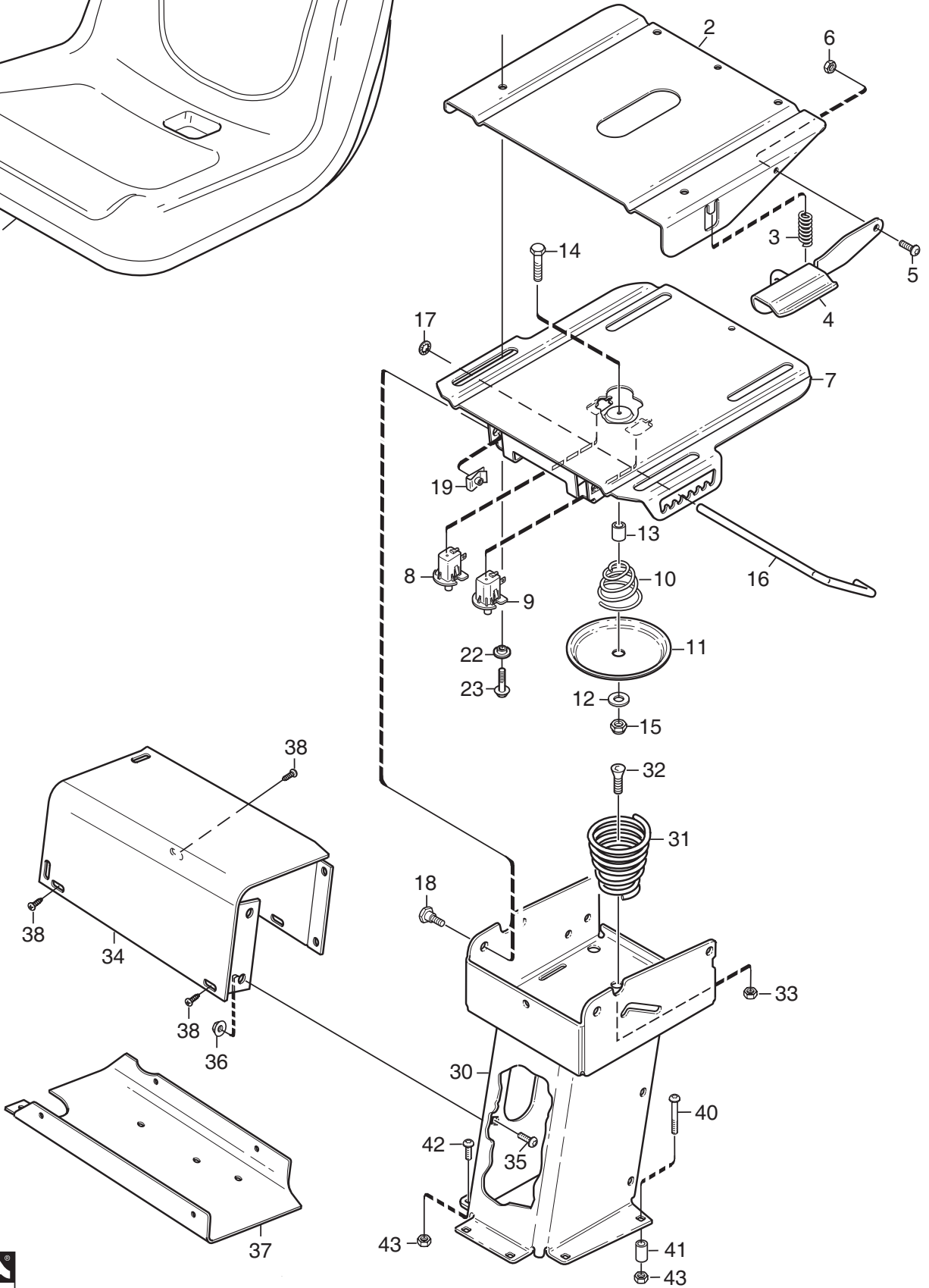
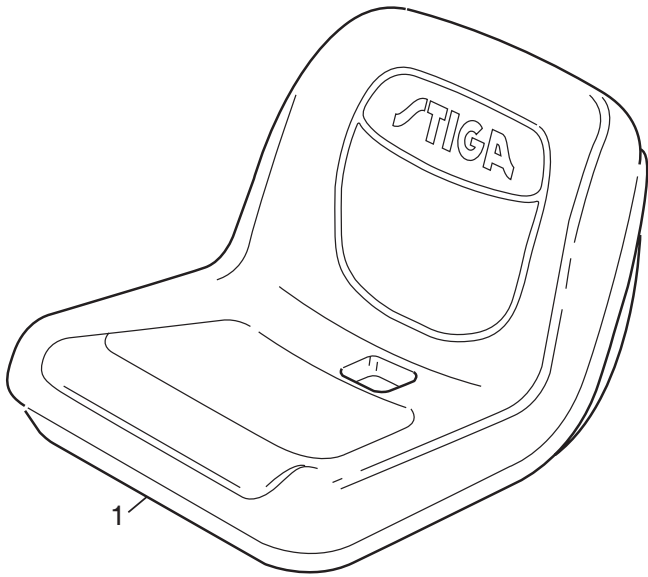
Utgåva Issue 2011- 11		Bildnr Picture No 2823		PARK 4WD KAROSS (Frankrike)		PARK 4WD BODY WORK (France)		Sida Page 118	
Pos. Fig.	Antal/Quantity				Art nr Part No	Benämning	Description	Sats Kit	Anmärkning Notes
	6377	6378	6312	FR					
X	1	1			1137-0352-01	Skydd .....	Protection .....		
X	2	1			1137-0354-01	Skydd .....	Protection .....		
X	3	2			1137-0355-01	Gummiduk.....	Rubber sheet.....		
	4	4			9893-0616-16	Skruv.....	Screw.....		
	5	4			9739-0631-22	Mutter.....	Nut.....		
	6	4			9699-0025-02	Planbricka.....	Washer.....		
X	10	1			1137-0356-01	Bygel .....	Loop.....		
	11	2			9893-0616-16	Skruv.....	Screw.....		
	12	2			9959-0620-16	Skruv.....	Screw.....		
	13	2			9739-0631-22	Mutter.....	Nut.....		
X	14	1			1137-0357-01	Överfall.....	Clamp.....		
X	20	1			1137-0391-01	Skydd .....	Protection .....		
	21	1			9893-0616-16	Skruv.....	Screw.....		
	22	1			9959-0620-16	Skruv.....	Screw.....		
	23	1			9739-0631-22	Mutter.....	Nut.....		
X	25	1			1137-0393-01	Skyddsplåt.....	Protection plate.....		
X	27	1			1137-0363-01	Skydd .....	Protection .....		
	28	2			9675-0009-02	Starlock.....	Starlock.....		
	29	6			9893-0616-16	Skruv.....	Screw.....		
	30	6			1134-5114-01	Distans .....	Spacer.....		
X	33A	1			1137-0366-01	Skydd- hö .....	Protection- RH .....		
X	33B	1			1137-0366-02	Skydd- vä.....	Protection- LH.....		
	34	8			9579-0003-00	Buntband.....	Cable holder.....		
X	35	1			1137-0414-01	Fäste.....	Bracket.....		



Utgåva Issue		Bildnr Picture No		PARK 4WD RAM		PARK 4WD FRAME		Sida Page	
2011-11		2033C						120	
Pos. Fig.	Antal/Quantity				Art nr Part No	Benämning	Description	Sats Kit	Anmärkning Notes
	6377 6175 -26	6378 6312	6377 6378 6312 FR						
X 1	1	1			1137-0100-01	Ram-främre .....	Frame-front .....		
2			1		1137-0390-01	Ram-främre .....	Frame-front .....		France
3	1	1	1		1134-3963-02	• Midjegaffel .....	• Clevis .....		
4	1	1	1		1134-0031-00	• Ledaxelstopp .....	• Pivot shaft stop .....		
5A	1	1	1		9595-0262-00	• Spännstift .....	• Locating pin .....		
5B	1	1	1		9501-0500-00	• Smörjnippel .....	• Grease joint .....		Rak/straight 90°
7	1	1	1		9501-0504-01	• Smörjnippel .....	• Grease joint .....		
8	1	1	1		1134-6466-01	Ram-bakre .....	Frame-rear .....		
9	2	2	2		1134-5705-01	• Distans .....	• Spacer .....		
10	2	2	2		9547-0001-00	• Ledlager .....	• Bearing .....		
11	1	1	1		9501-0500-00	• Smörjnippel .....	• Grease joint .....		
13	2	2	2		1134-5988-01	Centrumaxel .....	Centre shaft .....		
14	2	2	2		9699-0035-02	Planbricka .....	Flat washer .....		
15	2	2	2		9959-1025-16	Skruv .....	Screw .....		
16	2	1	1		9403-0048-70	Täckpropp .....	Plug .....		
17	1	1	1		1134-6586-01	Durk .....	Floor plate .....		
18	2	2	2		1134-6372-04	Durkmatta .....	Floor mat .....		
19	1	1	1		9893-0616-16	Skruv .....	Screw .....		
20	2	2	2		1134-5944-01	Tankhylla .....	Tank shelf .....		
21	2	2	2		9945-0816-16	Skruv .....	Screw .....		
22	2	2	2		9959-0820-16	Skruv .....	Screw .....		
24	1	1	1		9739-0831-22	Mutter .....	Nut .....		
25	2	2	2		1134-5676-01	Stötfångare .....	Bumper .....		
26	2	2	2		1134-4100-01	Täckpropp .....	Plug .....		
27	2	2	2		1134-0240-00	Ansatsskruv .....	Shoulder screw .....		
28	2	2	2		1134-4242-01	Distansbricka .....	Spacer washer .....		
29	2	2	2		9665-0002-00	Brickfjäder .....	Bowed washer .....		
30	2	2	2		9747-0831-02	Mutter .....	Lock nut .....		
					9943-0516-16	Skruv .....	Screw .....		

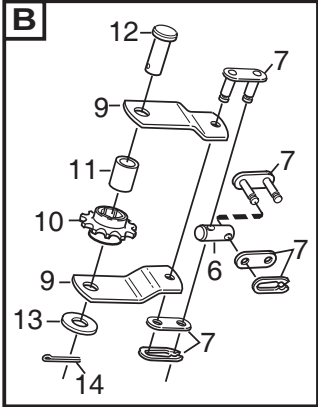
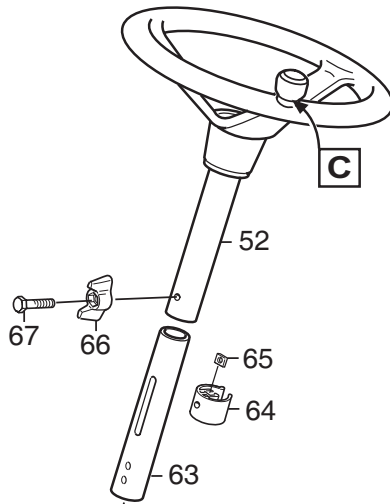
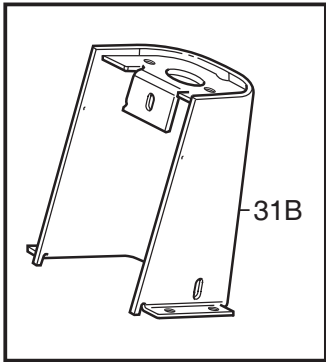
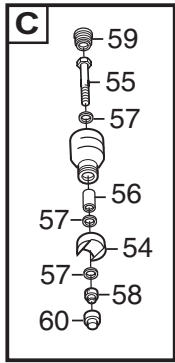


Utgåva Issue		Bildnr Picture No		PARK 4WD PEDALLYFT		PARK 4WD PEDAL LIFT		Sida Page	
2011-11		1023E						122	
Pos. Fig.	Antal/Quantity			Art nr Part No	Benämning	Description	Sats Kit	Anmärkning Notes	
	6377 6378 6312	6175 -26							
1	1	1		1134-4117-01	Fäste .....	Bracket .....			
2	2	2		1134-2684-01	Lager .....	Bearing .....			
3	1	1		1134-4945-01	Lyftspärr kpl .....	Lift catch assy .....			
7	1	1		9404-0027-01	• O-ring .....	• O-ring .....			
8	1	1		9650-0039-04	• Seegersäkring .....	• Lock ring .....			
9	1	1		9595-0276-01	• Spännstift .....	• Locating pin .....			
10	1	1		9997-0640-12	• Skruv .....	• Screw .....			
11	1	1		9747-0631-02	• Låsmutter .....	• Lock nut .....			
13	1	1		9897-0820-16	• Skruv .....	• Screw .....			
14	1	1		9747-0831-02	Mutter .....	Lock nut .....			
15A	1			1137-0109-01	Lyftarm .....	Lift arm .....			
15B		1		1134-4860-01	Lyftgaffel .....	Lift fork .....			
16	2	2		1134-0240-00	Ansattsskruv .....	Shoulder screw .....			
17	1	1		1134-4938-01	Lyftpedal .....	Lift pedal .....			
18	2	2		9997-0625-16	Skruv .....	Screw .....			
19	2	2		9739-0631-22	Mutter .....	Nut .....			
20	1	1		4231-0013-00	Fjäder .....	Spring .....			

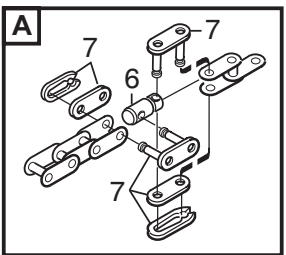
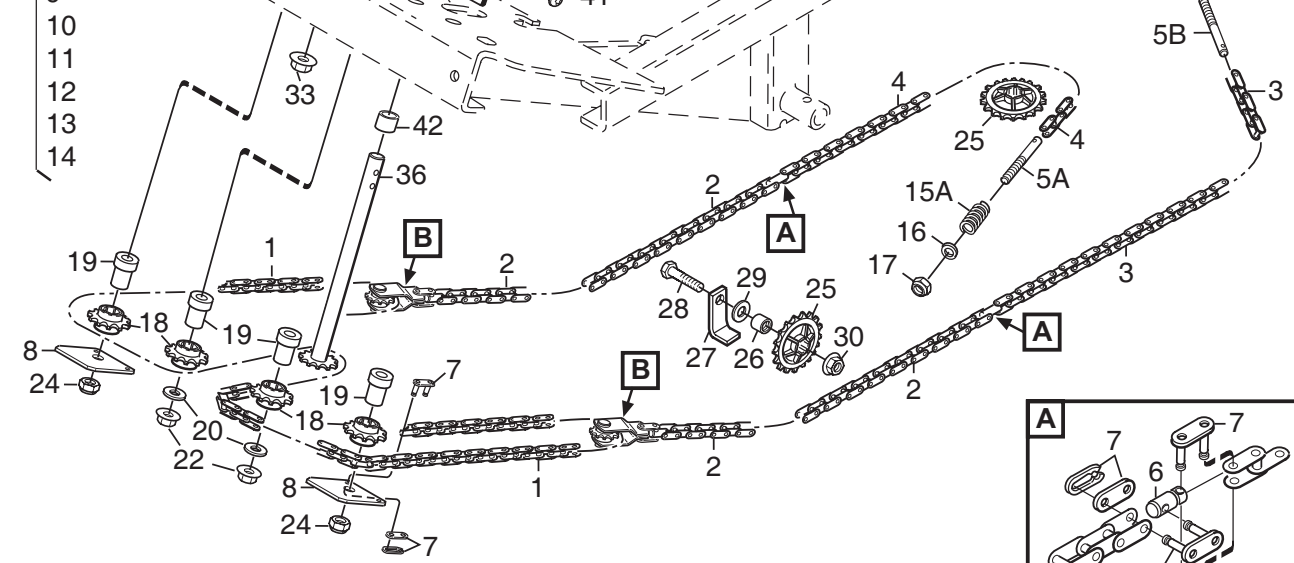
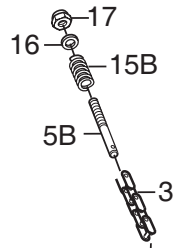
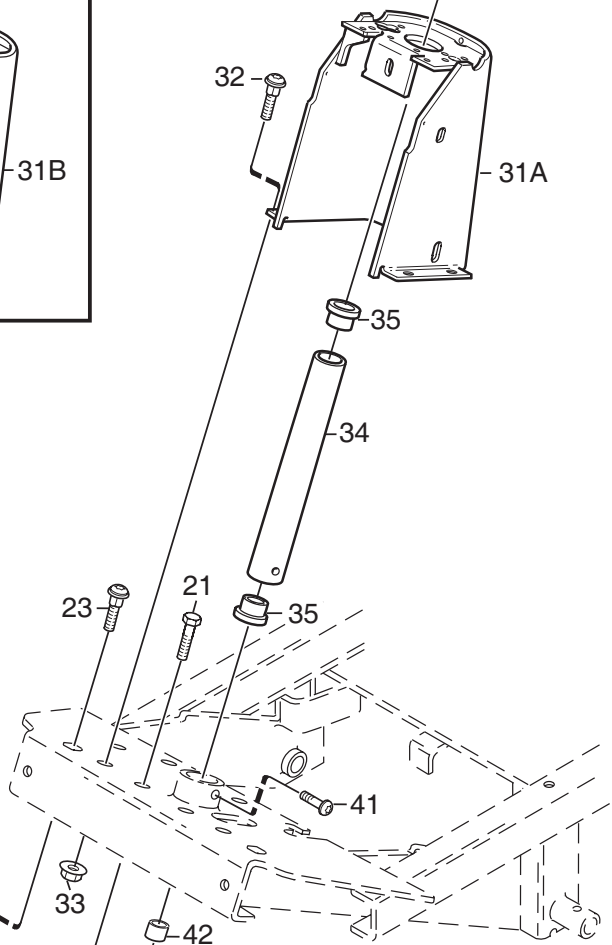




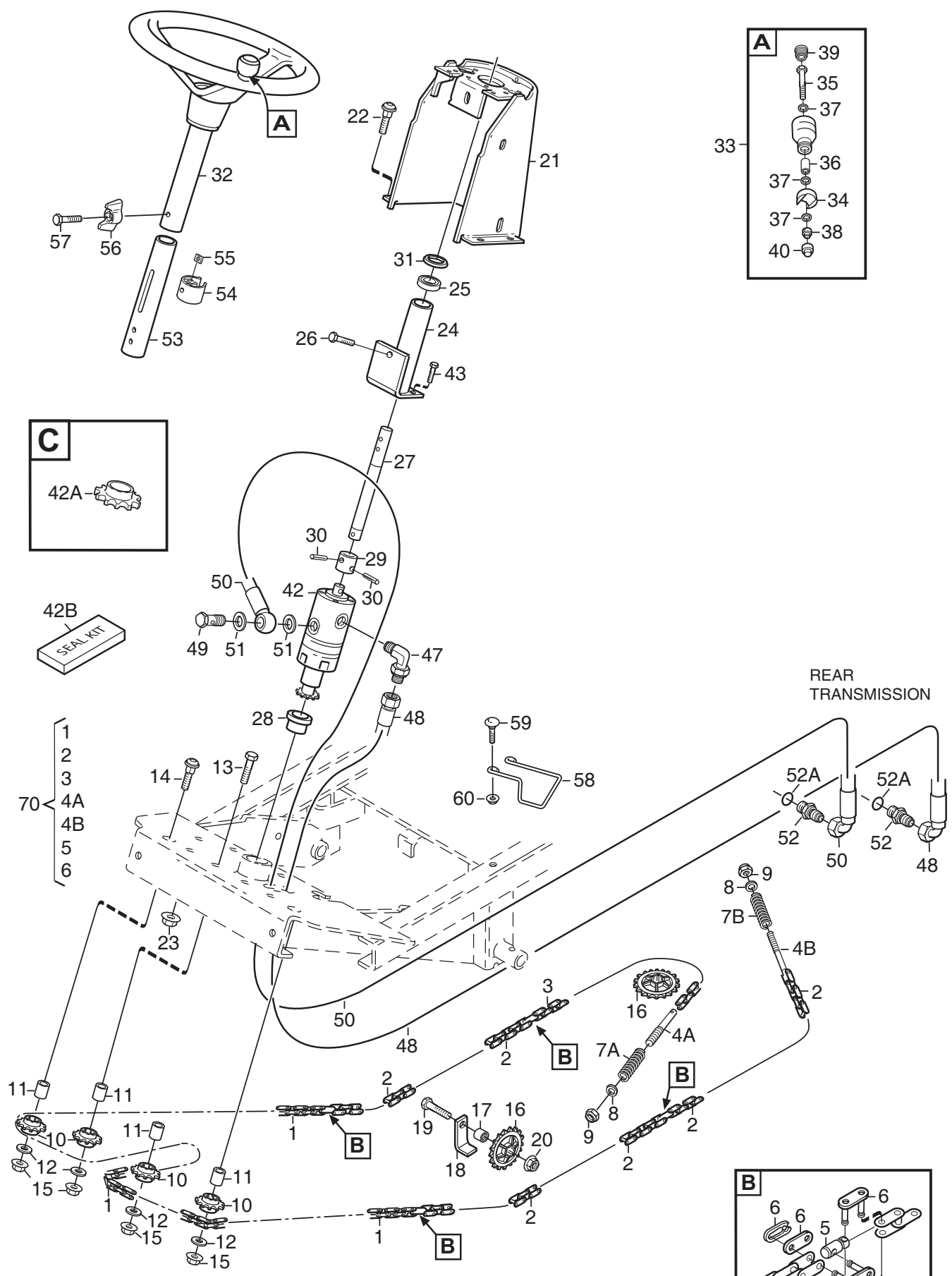
Utgåva Issue		Bildnr Picture No		PARK 4WD SITS		PARK 4WD SEAT		Sida Page	
2011- 11		2019B						124	
Pos. Fig.	Antal/Quantity			Art nr Part No	Benämning	Description	Sats Kit	Anmärkning Notes	
	6377 6378 6312	6175 -26							
1	1	1		1134-6444-01	Sits .....	Seat .....			
2	1	1		1134-6090-01	Glidplatta .....	Slide plate .....			
3	1	1		1134-3262-01	Tryckfjäder .....	Compression spring .....			
4	1	1		1134-6073-01	Handtag .....	Handle .....			
5	1	1		9893-0616-16	Skruv .....	Screw .....			
6	1	1		9747-0631-02	Låsmutter .....	Lock nut .....			
7	1	1		1134-6068-01	Glidplatta- undre .....	Slide plate-lower .....			
8	1	1		1134-3156-01	Brytare (svart) .....	Switch (black) .....			
9	1	1		1134-3156-02	Brytare (grå) .....	Switch (grey) .....			
10	1	1		1134-5302-01	Fjäder .....	Spring .....			
11	1	1		1134-5299-01	Tryckplatta .....	Push plate .....			
12	1	1		9699-0090-02	Planbricka .....	Flat washer .....			
13	1	1		1134-1565-06	Distans .....	Spacer .....			
14	1	1		9997-0840-12	Skruv .....	Screw .....			
15	1	1		9747-0831-02	Mutter .....	Lock nut .....			
16	1	1		1134-5179-01	Spärr .....	Catch .....			
17	1	1		9675-0012-02	Starlock .....	Locking washer .....			
18	2	2		1134-0240-00	Ansatsskruv .....	Shoulder screw .....			
19	2	2		1134-4620-02	Fjädermutter .....	Spring nut .....			
22	4	4		1134-6078-01	Ansatsbricka .....	Flange washer .....			
23	4	4		9959-0820-16	Skruv .....	Screw .....			
30	1	1		1134-5698-01	Sitskonsol .....	Seat bracket .....			
31	1	1		1134-4256-01	Sitsfjäder .....	Seat spring .....			
32	1	1		9924-1235-19	Skruv .....	Screw .....			
33	1	1		9747-1231-02	Låsmutter .....	Lock nut .....			
34	1	1		1134-3990-01	Armsvep .....	Attachment-side panel .....			
35	2	2		9897-0820-16	Skruv .....	Screw .....			
36	2	2		9739-0831-22	Mutter .....	Nut .....			
37	1	1		1134-4130-01	Lock- undre .....	Cover- lower .....			
38	4	4		9840-8013-16	Skruv .....	Screw .....			
40	2	2		9897-0880-12	Skruv .....	Screw .....			
41	2	2		1134-1565-08	Distans .....	Spacer .....			
42	4	4		9897-0820-16	Skruv .....	Screw .....			
43	6	6		9747-0831-02	Mutter .....	Lock nut .....			



- 1
- 2
- 3
- 4
- 5A
- 5B
- 6
- 7
- 8
- 9
- 10
- 11
- 12
- 13
- 14

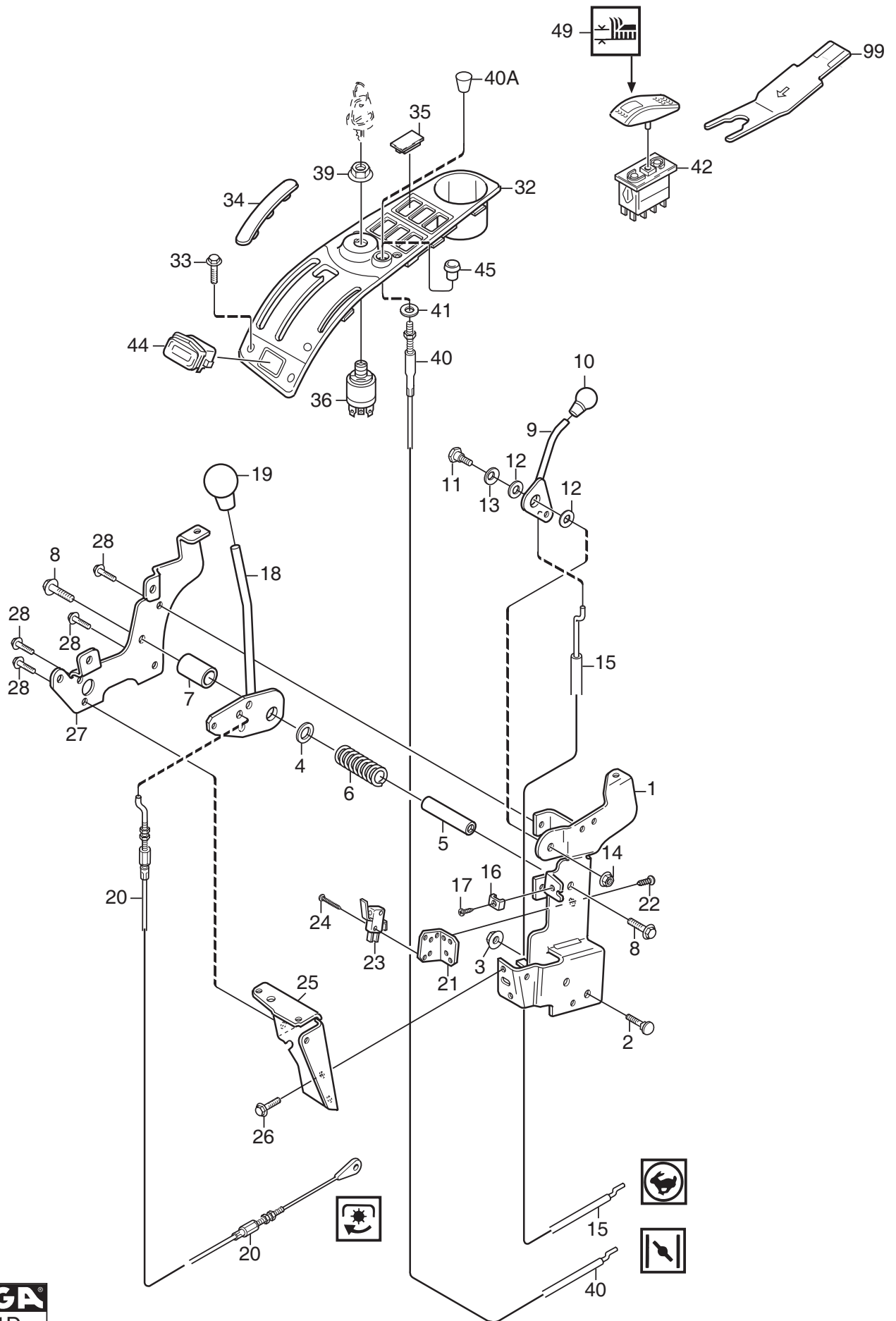


Utgåva Issue 2011-11		Bildnr Picture No 1787F		PARK 4WD PRESTIGE- POWER STYRNING		PARK 4WD PRESTIGE- POWER STEERING		Sida Page 126	
Pos. Fig.	Antal/Quantity				Art nr Part No	Benämning	Description	Sats Kit	Anmärkning Notes
	6377	6175 -26							
1	1	1			1134-6374-10	• Kedja.....	• Chain.....		129 länk
2	2	2			1134-6374-09	• Kedja.....	• Chain.....		35 länk
3	1	1			1134-6374-02	• Kedja.....	• Chain.....		41 länk
4	1	1			1134-6374-05	• Kedja.....	• Chain.....		47 länk
5A	1	1			1134-3550-01	• Ändnippel.....	• End nipple.....		L = 110 mm
5B	1	1			1134-3550-02	• Ändnippel.....	• End nipple.....		L = 90 mm
6	4	4			1134-3565-01	• Skarvnippel.....	• Connection nipple.....		
7	12	12			1134-2824-02	• Kedjelås.....	• Chain lock.....		
8	2	2			1134-5652-01	• Fäste.....	• Attachment.....		
9	4	4			1134-5651-01	• Bygel.....	• Bracket.....		
10	2	2			1134-2816-01	• Kedjehjul.....	• Sprocket.....		
11	2	2			1134-0041-02	• Linhjulshylsa.....	• Idler wheel bush.....		
12	2	2			1134-4817-01	• Kolvstångssprint.....	• Pin.....		
13	2	2			9699-0035-02	• Planbricka.....	• Flat washer.....		
14	2	2			9599-0054-02	• Saxpinne.....	• Cotter pin.....		
15A	1	1			1134-3817-01	Tryckfjäder.....	Compression spring.....		L = 58 mm
15B	1	1			1134-3817-02	Tryckfjäder.....	Compression spring.....		L = 33 mm
16	2	2			9699-0090-02	Planbricka.....	Flat washer.....		
17	2	2			9747-0831-02	Mutter.....	Lock nut.....		
18	4	4			1134-2816-01	Kedjehjul.....	Sprocket.....		
19	4	4			1134-5653-01	Distans.....	Spacer.....		
20	2	2			9699-0035-02	Planbricka.....	Flat washer.....		
21	2	2			9997-1060-12	Skruv.....	Screw.....		
22	2	2			9739-1031-22	Mutter.....	Nut.....		
23	2	2			9897-1060-12	Skruv.....	Screw.....		
24	2	2			9731-1031-22	Mutter.....	Nut.....		
25	3	3			1134-3547-01	Kedjehjul.....	Sprocket.....		
26	2	2			1134-0041-01	Linhjulshylsa.....	Bushing.....		
27	2	2			1134-0046-00	Linhållare.....	Wire clamp.....		
28	2	2			9997-1040-16	Skruv.....	Screw.....		
29	2	2			9699-0035-02	Planbricka.....	Flat washer.....		
30	2	2			9739-1031-22	Mutter.....	Nut.....		
31A	1				1137-0066-01	Styrkonsol.....	Steering bracket.....		
31B		1			1134-4120-04	Styrkonsol.....	Steering console.....		
32	4	4			9897-0820-16	Skruv.....	Screw.....		
33	4	4			9739-0831-22	Mutter.....	Nut.....		
34	1	1			1134-1305-03	Rattrör- nedre.....	Steering column- lower.....		
35	2	2			1134-1901-01	Lager.....	Bearing.....		
36	1	1			1137-0120-02	Rattstång.....	Steering rod.....		
41	2	2			9893-0616-16	Skruv.....	Screw.....		
42	1	1			1134-2837-03	Distans.....	Spacer.....		
52		1			1134-5173-01	Ratt.....	Steering wheel.....		
52	1				1134-5173-02	Ratt kpl.....	Steering wheel assy.....		
53	1				1134-3769-01	• Styrknopp kpl.....	• Steering wheel button.....		
54	1				1134-3752-01	• Knoppfäste.....	• Knob holder.....		
55	1				9997-0870-16	• Skruv.....	• Screw.....		
56	1				1134-1565-06	• Distans.....	• Spacer.....		
57	3				9699-0090-02	• Planbricka.....	• Flat washer.....		
58	1				9747-0831-02	• Mutter.....	• Lock nut.....		
59	1				9403-0043-70	• Plugg.....	• Plug.....		
60	1				9403-0113-00	• Mutterhatt.....	• Nut cap.....		
63	1	1			1137-0070-01	Rattrör- inre kpl.....	Steering tube- inner.....		
64	1	1			1134-5177-01	• Slid.....	• Slide.....		
65	1	1			9710-0631-12	• Fyrkantmutter.....	• Square nut.....		
66	1	1			1134-4481-02	Vingmutter.....	Wing nut.....		
67	1	1			9997-0630-12	Skruv.....	Screw.....		
X 70	1	1			1134-6380-03	Styrkedja kpl.....	Steering chain assy.....		Inkl. pos 1-14

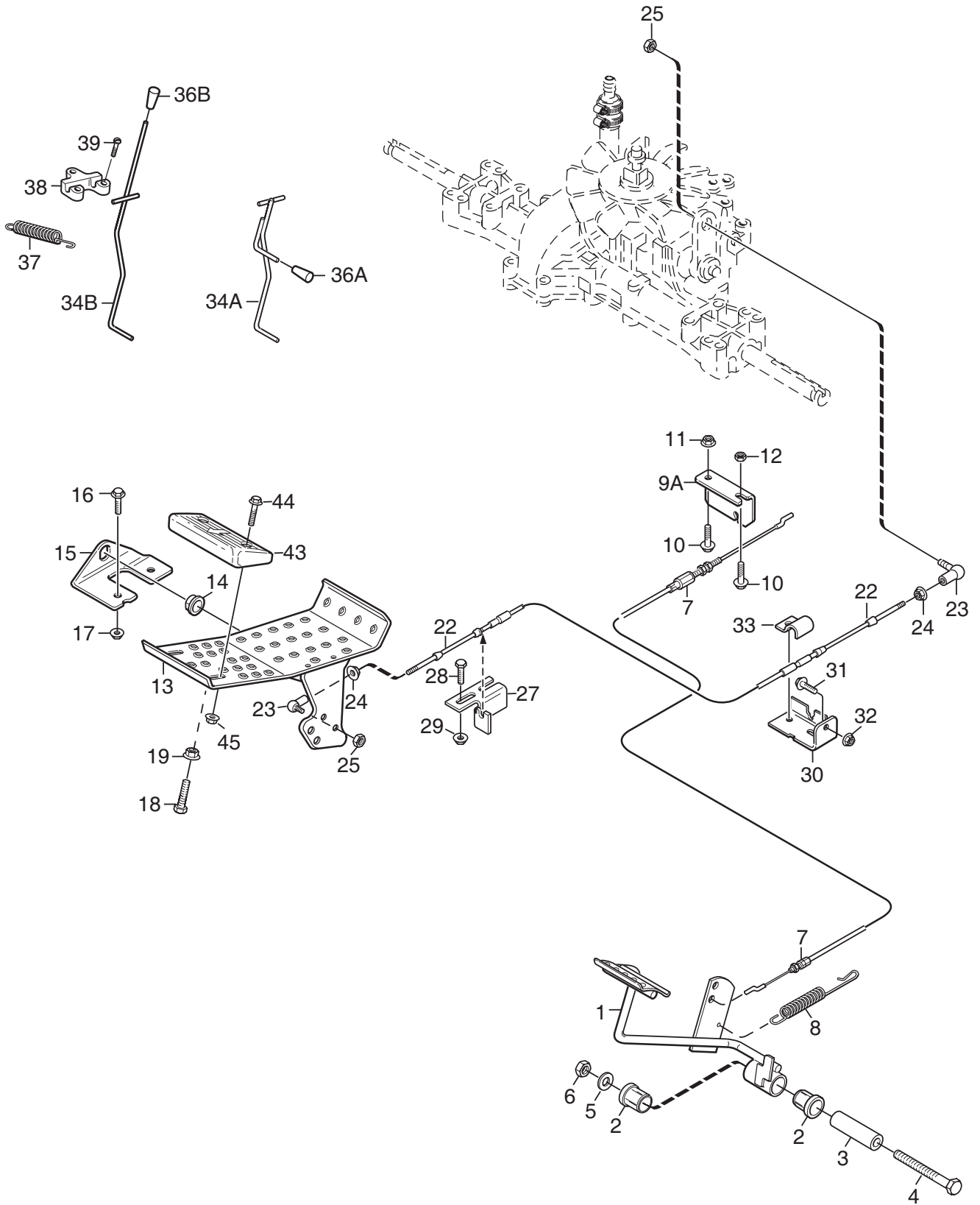


REAR TRANSMISSION

Utgåva Issue		Bildnr Picture No		PARK 4WD RESIDENCE- ROYAL STYRNING		PARK 4WD RESIDENCE- ROYAL STEERING		Sida Page	
2011- 11		2408C						128	
Pos. Fig.	Antal/Quantity				Art nr Part No	Benämning	Description	Sats Kit	Anmärkning Notes
	6378								
6312									
1	1				1134-6374-06	• Kedja.....	• Chain.....		83 länk
2	3				1134-6374-02	• Kedja.....	• Chain.....		41 länk
3	1				1134-6374-04	• Kedja.....	• Chain.....		45 länk
4A	1				1134-3550-01	• Ändnippel.....	• End nipple.....		L = 110 mm
4B	1				1134-3550-02	• Ändnippel.....	• End nipple.....		L = 90 mm
5	4				1134-3565-01	• Skarvnippel.....	• Connection nipple.....		
6	10				1134-2824-02	• Kedjelås.....	• Chain lock.....		
7A	1				1134-3817-01	Tryckfjäder.....	Compression spring.....		L = 58 mm
7B	1				1134-3817-02	Tryckfjäder.....	Compression spring.....		L = 33 mm
8	2				9699-0090-02	Planbricka.....	Flat washer.....		
9	2				9747-0831-02	Mutter.....	Lock nut.....		
10	4				1134-2816-01	Kedjehjul.....	Sprocket.....		
11	4				1134-0041-02	Linhjulshylsa.....	Idler wheel bush.....		
12	4				9699-0035-02	Planbricka.....	Flat washer.....		
13	2				9997-1050-16	Skruv.....	Screw.....		
14	2				9897-1040-12	Skruv.....	Screw.....		
15	4				9739-1031-22	Mutter.....	Nut.....		
16	3				1134-3547-01	Kedjehjul.....	Sprocket.....		
17	2				1134-0041-01	Linhjulshylsa.....	Bushing.....		
18	2				1134-0046-00	Linhållare.....	Wire clamp.....		
19	2				9997-1030-16	Skruv.....	Screw.....		
20	2				9739-1031-22	Mutter.....	Nut.....		
21	1				1137-0066-01	Styrkonsol.....	Steering bracket.....		
22	4				9897-0820-16	Skruv.....	Screw.....		
23	4				9739-0831-22	Mutter.....	Nut.....		
24	1				1137-0044-01	Rattrör- nedre.....	Steering tube- lower.....		
25	1				9549-0017-00	Kullager.....	Ball bearing.....		
26	1				9945-0816-16	Skruv.....	Screw.....		
27	1				1137-0045-01	Rattstång.....	Steering rod.....		
28	1				1134-4114-01	Bussning.....	Bushing.....		
29	1				1134-4118-01	Koppling.....	Coupling.....		
30	2				9595-0256-01	Spännstift.....	Pin.....		
31	1				9695-0011-00	Bricka.....	Washer.....		
32	1				1134-5173-02	Ratt kpl.....	Steering wheel assy.....		
33	1				1134-3769-01	• Styrknopp kpl.....	• Steering wheel button.....		
34	1				1134-3752-01	• Knoppfäste.....	• Knob holder.....		
35	1				9997-0870-16	• Skruv.....	• Screw.....		
36	1				1134-1565-06	• Distans.....	• Spacer.....		
37	3				9699-0090-02	• Planbricka.....	• Flat washer.....		
38	1				9747-0831-02	• Mutter.....	• Lock nut.....		
39	1				9403-0043-70	• Plugg.....	• Plug.....		
40	1				9403-0113-00	• Mutterhatt.....	• Nut cap.....		
42	1				1134-6420-01	Momentförstärkare.....	Steering booster.....		Inkl. pos 42A
X 42A	1				1139-2106-01	• Drev.....	• Pinion.....		
42B	1				1139-2074-01	Reparationssats.....	Seal kit.....		
43	3				9939-0612-16	Skruv.....	Screw.....		
47	1				1134-7073-01	Vinkeladapter.....	Hydraulic coupling.....		
X 48	1				1137-0195-02	Hydraulslang.....	Hydraulic tube.....		L = 1740 mm
49	1				1134-6323-01	Banjobult.....	Banjo bolt.....		
X 50	1				1137-0214-03	Hydraulslang.....	Hydraulic tube.....		L = 2050 mm
51	2				1134-4948-02	Tredobricka.....	Tredo washer.....		
52	2				1134-4282-01	Hydraulnippel.....	Hydraulic nipple.....		
52A	1				9404-0028-01	• O-ring.....	• O-ring.....		
53	1				1137-0070-01	Rattrör- inre kpl.....	Steering tube- inner.....		
54	1				1134-5177-01	• Slid.....	• Slide.....		
55	1				9710-0631-12	• Fyrkantmutter.....	• Square nut.....		
56	1				1134-4481-02	Vingmutter.....	Wing nut.....		
57	1				9997-0630-12	Skruv.....	Screw.....		
58	1				1137-0112-01	Bygel.....	Guide.....		
59	2				9897-0616-16	Vagnsbult.....	Carriage bolt.....		
60	2				9739-0631-22	Mutter.....	Nut.....		
X 70	1				1134-6379-02	Styrkedja kpl.....	Steering chain assy.....		Inkl. pos 1-6

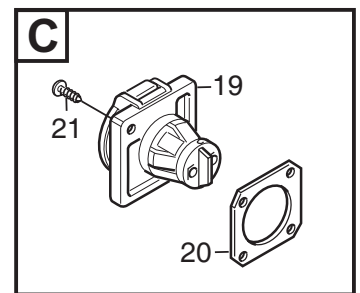
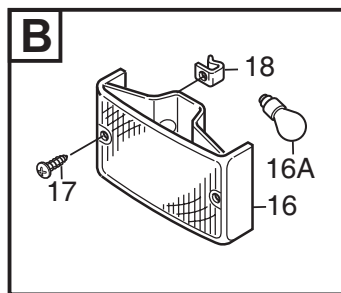
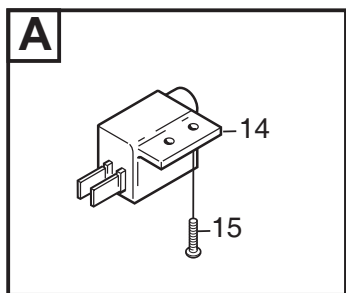
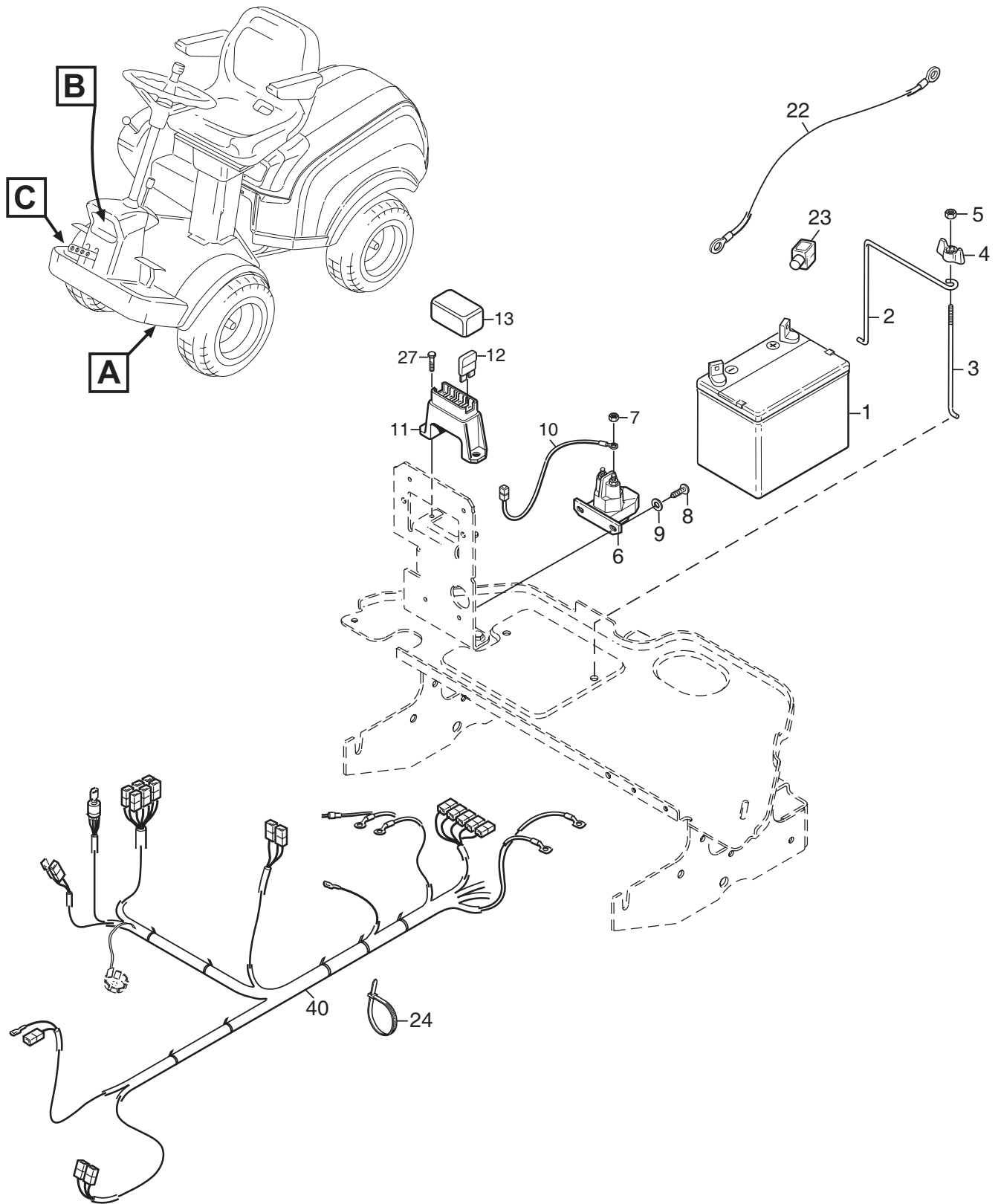


Utgåva Issue		Bildnr Picture No		PARK 4WD HANDREGLAGE		PARK 4WD HAND CONTROLS		Sida Page	
2011- 11		1991D						130	
Pos. Fig.	Antal/Quantity			Art nr Part No	Benämning	Description	Sats Kit	Anmärkning Notes	
	6377 6378	6312	6175 -26						
	1	1	1	1134-4156-01	Vinkelhållare .....	Panel bracket- inner .....			
	2	2	2	9897-0820-16	Skruv .....	Screw .....			
	3	2	2	9739-0831-22	Mutter .....	Nut .....			
	4	1	1	9695-0011-00	Bricka .....	Washer .....			
	5	1	1	1134-4065-01	Reglageaxel .....	Control shaft .....			
	6	1	1	1134-4079-01	Fjäder .....	Spring .....			
	7	1	1	1134-4080-03	Reglagehylsa .....	Control sleeve .....			
	8	2	2	9959-0820-16	Skruv .....	Screw .....			
	9	1	1	1134-4077-01	Gasreglage .....	Throttle control .....			
	10	1	1	1134-4078-01	Knopp .....	Knob .....			
	11	1	1	1134-0240-00	Ansatsskruv .....	Shoulder screw .....			
	12	2	2	1134-4242-01	Distansbricka .....	Spacer washer .....			
	13	1	1	9694-0001-00	Fjäderbricka .....	Washer .....			
	14	1	1	9747-0831-02	Mutter .....	Lock nut .....			
X	15	1	1	1137-0063-02	Gaswire .....	Throttle cable .....		L1= 925 mm	
X	15	1	1	1137-0063-03	Gaswire .....	Throttle cable .....		L1= 1413 mm	
	16	1	1	1137-0115-01	Överfall .....	Cable clamp .....			
	17	1	1	9943-0516-16	Skruv .....	Screw .....			
	18	1	1	1134-4072-01	Aggregatspak .....	Control lever .....			
	19	1	1	1134-2551-01	Reglageknopp .....	Knob .....			
	20	1	1	1134-3573-03	Wire .....	PTO cable .....			
	21	1	1	1134-5358-01	Brytarfäste .....	Switch bracket .....			
	22	2	2	9852-8013-16	Skruv .....	Screw .....			
	23	1	1	9400-0360-01	Mikrobrytare .....	Micro switch .....			
	24	2	2	9840-7716-16	Skruv .....	Screw .....		L = 16 mm	
	25	1	1	1134-6328-01	Frontfäste .....	Panel bracket- front .....			
	26	2	2	9893-0616-16	Skruv .....	Screw .....			
	27	1	1	1134-6327-01	Frontplåt .....	Front plate .....			
	28	4	4	9893-0616-16	Skruv .....	Screw .....			
	32		1	1134-6096-02	Kassett .....	Dashboard .....			
	32	1		1134-6096-05	Kassett .....	Dashboard .....			
	33	4	4	9946-0525-16	Skruv .....	Screw .....			
	34	1	1	1134-4154-01	Täckbricka .....	Cover .....			
	35	5	5	1134-4129-01	Täckbricka .....	Cover .....			
	36	1	1	1134-4093-01	Tändningslås .....	Ignition switch .....			
	39	1	1	1134-4749-01	Mutter .....	Nut .....			
	40		1	1134-2872-02	Chokereglage .....	Choke control .....			
X	40		1	1137-0062-03	Chokereglage .....	Choke control .....			
	40A		1	1134-4338-01	• Reglageknopp .....	• Control knob .....			
	41		1	9699-0090-02	Planbricka .....	Flat washer .....			
	42	1	1	9400-0282-01	Brytare m.diod .....	Switch w.diode .....			
X	44	1	1	1134-6097-02	Timräknare .....	Hour meter .....			
	45	1		1134-4100-01	Täckpropp .....	Plug .....			
	49	1	1	9400-0280-03	Vippa- höjdställning .....	Cover- height adjust .....			
	99	1	1	9400-0290-01	Verktyg f.vippa .....	Tool for cover .....		Tillbehör/Accessory	



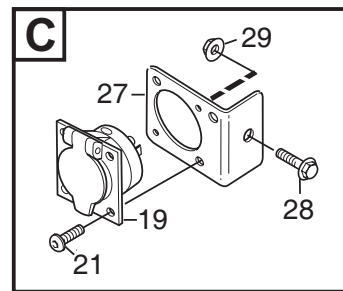
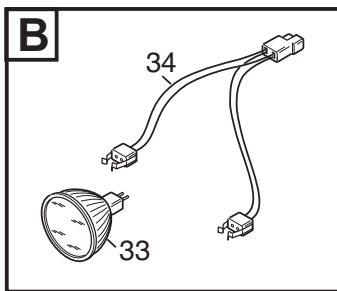
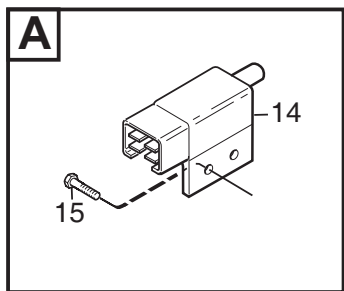
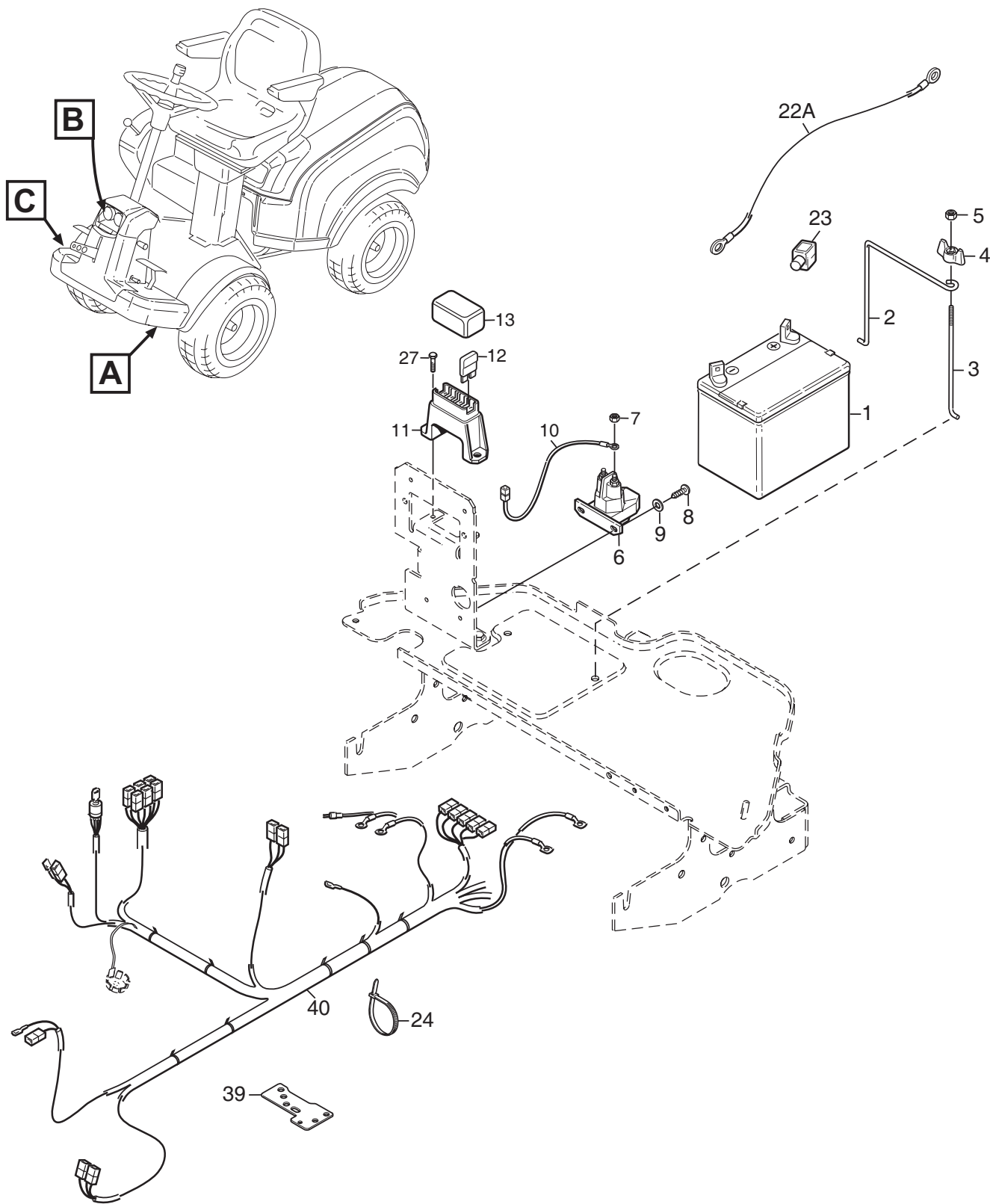


Utgåva Issue		Bildnr Picture No		PARK 4WD FOTREGLAGE		PARK 4WD FOOT CONTROLS		Sida Page	
2011-11		2206D						132	
Pos. Fig.	Antal/Quantity			Art nr Part No	Benämning	Description	Sats Kit	Anmärkning Notes	
	6377 6378 6312	6175 -26							
1	1	1		1134-5655-01	Broms/kopplingspedal.....	Brake/clutch pedal.....		Sats 4 st/kit of 4	
2	1	1		1134-9024-01	Lager.....	Bearing.....			
3	1	1		1134-5677-02	Distans.....	Spacer.....			
4	1	1		9997-1070-12	Skruv.....	Screw.....			
5	1	1		9699-0030-02	Planbricka.....	Flat washer.....			
6	1	1		9739-1031-22	Mutter.....	Nut.....			
7	1	1		1134-6005-01	Wire.....	Cable.....			
8	1	1		4231-0013-00	Fjäder.....	Spring.....			
9A	1	1		1134-6467-01	Wirefäste.....	Cable holder.....			
10	2	2		9959-0820-16	Skruv.....	Screw.....			
11	1	1		9739-0831-22	Mutter.....	Nut.....			
12	1	1		9747-0831-02	Mutter.....	Lock nut.....			
13	1	1		1134-6353-01	Drivpedal.....	Drive pedal.....			
14	2	2		1134-6313-01	Lager.....	Bearing.....			
15	2	2		1134-2700-01	Fäste.....	Bracket.....			
16	2	2		9959-0820-16	Skruv.....	Screw.....			
17	2	2		9739-0831-22	Mutter.....	Nut.....			
18	1	1		9997-0835-16	Skruv.....	Screw.....			
19	1	1		9739-0831-22	Mutter.....	Nut.....			
22	1	1		1134-2766-05	Reglagewire.....	Speed control cable.....			
23	2	2		9570-0001-00	Vinkellänk.....	Elbow link.....			
24	2	2		9739-0531-22	Mutter.....	Nut.....			
25	2	2		9747-0531-02	Mutter.....	Nut.....			
27	1	1		1134-6317-01	Wirefäste.....	Cable holder.....			
28	2	2		9959-0620-16	Skruv.....	Screw.....			
29	2	2		9739-0631-22	Mutter.....	Nut.....			
30	1	1		1134-3395-01	Fäste.....	Attachment.....			
31	2	2		9959-0820-16	Skruv.....	Screw.....			
32	2	2		9739-0831-22	Mutter.....	Nut.....			
33	1	1		1134-2021-01	Växelwirefäste.....	Clamp.....			
34A	1			1134-5353-01	Bromsstång.....	Brake rod.....			
34B		1		1134-5101-01	Bromsstång.....	Brake rod.....			
36A	1			1134-2786-01	Plastknopp.....	Plastic knob.....			
36B		1		1134-3808-01	Knopp.....	Knob.....			
37	1	1		1131-1497-01	Fjäder.....	Spring.....			
38	1	1		1134-4002-01	Fäste.....	Brake rod attachment.....			
39	3	3		9838-9516-12	Skruv.....	Screw.....			
43	2	2		1134-6340-02	Fotstöd.....	Foot rest.....			
44	4	4		9959-0620-16	Skruv.....	Screw.....			
45	4	4		9739-0631-22	Mutter.....	Nut.....			

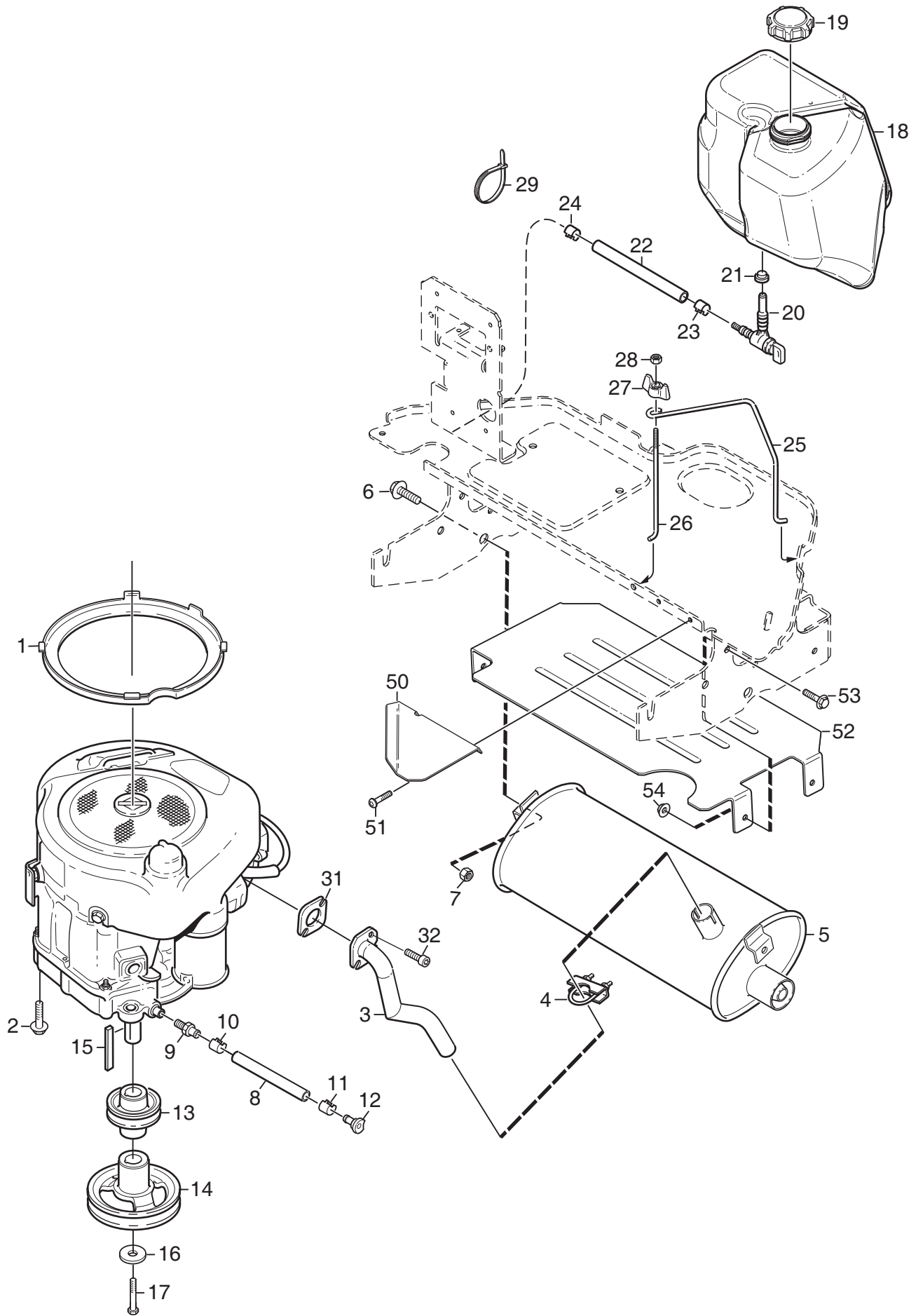


Utgåva Issue 2011- 11		Bildnr Picture No 2020G		PARK 4WD POWER ELUTRUSTNING		PARK 4WD POWER EL. EQUIPMENT		Sida Page 134	
Pos. Fig.	Antal/Quantity				Art nr Part No	Benämning	Description	Sats Kit	Anmärkning Notes
	6175 -26								
1	1				1134-5751-01	Batteri .....	Battery .....		
2	1				1134-5994-01	Batteribygel .....	Battery loop.....		
3	1				1134-5995-01	Batteribygel .....	Battery loop.....		
4	1				1134-4481-02	Vingmutter.....	Wing nut .....		
5	1				9747-0631-02	Låsmutter .....	Lock nut .....		
6	1				1134-2962-01	Solenoid kpl .....	Solenoid assy.....		Inkl. pos 7
7	2				9794-5131-02	• Mutter.....	• Nut .....		
8	2				9852-8013-16	Skruv .....	Screw .....		
9	2				9699-0060-02	Planbricka.....	Flat washer.....		
10	1				1134-4970-02	Kabel- röd .....	Cable- red.....		
11	1				1134-3491-01	Säkringshållare.....	Fuse holder .....		
12	1				1134-3496-01	Säkring .....	Fuse .....		10A
12	1				1134-3496-06	Säkring .....	Fuse .....		20A
12	1				1134-3496-07	Säkring .....	Fuse .....		30A
13	1				1134-3631-01	Lock- säkringsdosa.....	Cover- fuse holder.....		
14	1				1134-3399-02	Brytare.....	Switch .....		
15	2				9943-0516-16	Skruv .....	Screw .....		
16	1				1134-4172-01	Strålkastare kpl.....	Headlamp assy.....		
16A	1				9400-0293-01	• Glödlampa .....	• Bulb.....		12V - 21W
17	2				9849-7819-16	Skruv .....	Screw .....		
18	2				1134-4177-01	Clips .....	Clips .....		
19	1				1134-7535-01	Honkontakt .....	Female terminal.....		
20	1				1134-4052-01	Stödbricka .....	Support washer.....		
21	2				9840-7716-16	Skruv .....	Screw .....		
22	1				1134-0234-02	Batterikabel ( + ) .....	Battery cable ( + ).....		
23	1				1134-2310-01	Batteriskydd.....	Guard cap .....		
24	5				9579-0003-00	Buntband .....	Cable holder .....		
24	2				9579-0018-01	Buntband .....	Cable tie .....		L=390
27	2				9849-8006-16	Skruv .....	Screw .....		
40	1				1134-6441-01	Kablage.....	Harness.....		

X

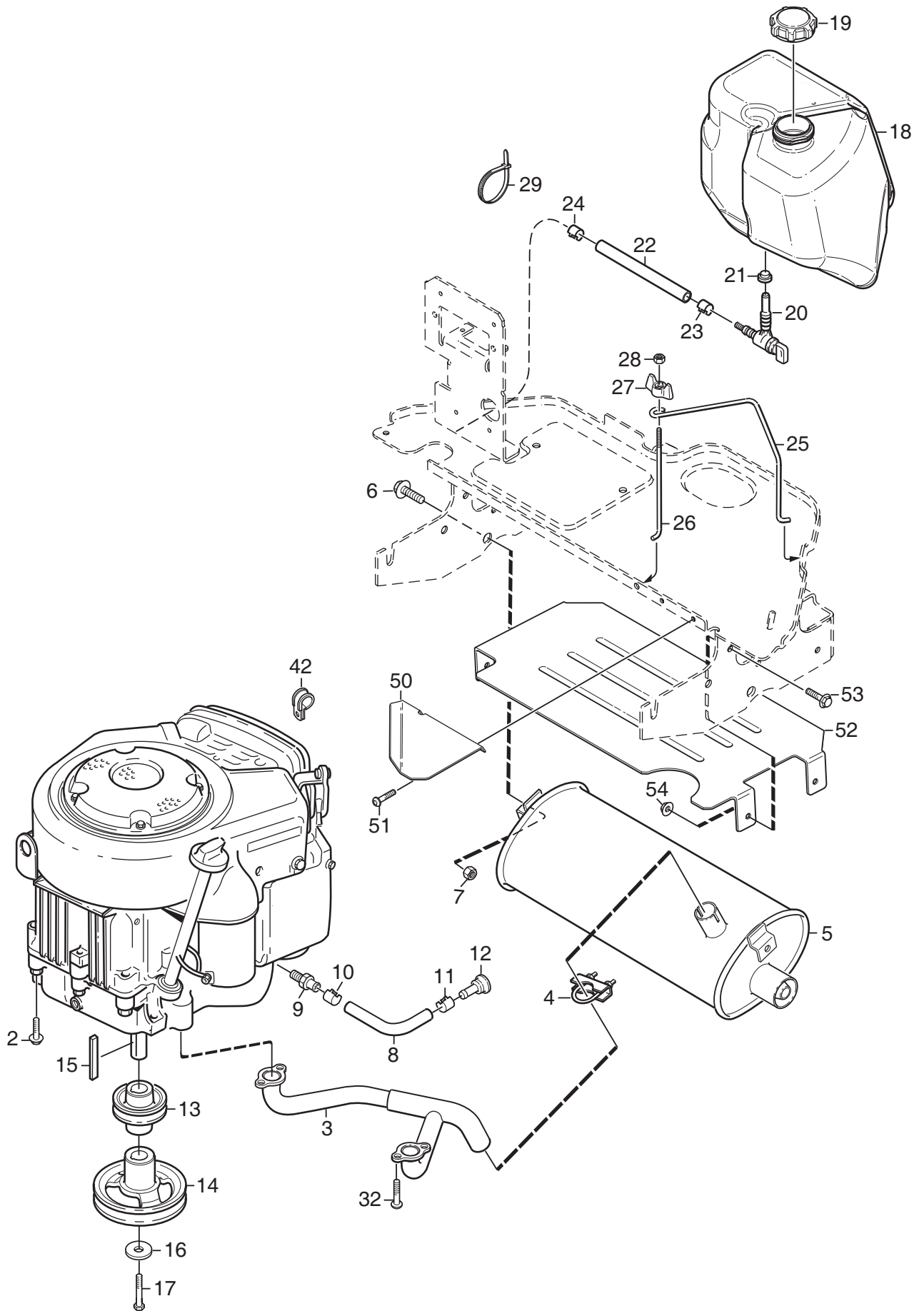


Utgåva Issue 2011- 11		Bildnr Picture No 2020I		PARK 4WD PRESTIGE- RESIDENCE- ROYAL ELUTRUSTNING		PARK 4WD PRESTIGE- RESIDENCE- ROYAL EL. EQUIPMENT		Sida Page 136	
Pos. Fig.	Antal/Quantity				Art nr Part No	Benämning	Description	Sats Kit	Anmärkning Notes
	6377 6378	6312							
1	1	1			1134-5751-01	Batteri .....	Battery .....		
2	1	1			1134-5994-01	Batteribygel .....	Battery loop.....		
3	1	1			1134-5995-01	Batteribygel .....	Battery loop.....		
4	1	1			1134-4481-02	Vingmutter.....	Wing nut .....		
5	1	1			9747-0631-02	Låsmutter .....	Lock nut .....		
6	1	1			1134-2962-01	Solenoid kpl .....	Solenoid assy.....		Inkl. pos 7
7	2	2			9794-5131-02	• Mutter.....	• Nut .....		
8	2	2			9852-8013-16	Skruv.....	Screw.....		
9	2	2			9699-0060-02	Planbricka.....	Flat washer.....		
10	1	1			1134-4970-02	Kabel- röd .....	Cable- red.....		
11	1	1			1134-3491-01	Säkringshållare.....	Fuse holder .....		
12	1	1			1134-3496-01	Säkring .....	Fuse .....		10A
12	1	1			1134-3496-06	Säkring .....	Fuse .....		20A
12	1	1			1134-3496-07	Säkring .....	Fuse .....		30A
13	1	1			1134-3631-01	Lock- säkringsdosa.....	Cover- fuse holder.....		
14	1	1			1134-3399-02	Brytare.....	Switch .....		
15	2	2			9943-0516-16	Skruv.....	Screw.....		
19	1	1			1134-7535-01	Honkontakt .....	Female terminal.....		
21	2	2			9840-7716-16	Skruv.....	Screw.....		
22 A	1	1			1134-0234-02	Batterikabel ( + ).....	Battery cable ( + ).....		
23	1	1			1134-2310-01	Batteriskydd.....	Guard cap .....		
24	5	5			9579-0003-00	Buntband .....	Cable holder .....		
X 24	2	2			9579-0018-01	Buntband .....	Cable tie .....		L=390
27	1	1			1137-0075-01	Fäste.....	Bracket .....		
28	1	1			9959-0820-16	Skruv.....	Screw.....		
29	1	1			9739-0831-22	Mutter.....	Nut .....		
33	2	2			9400-0358-01	LED- lampa .....	LED- lamp .....		
34	1	1			1134-7505-01	Kablage.....	Harness.....		
39		1			1134-6454-01	Jordplåt .....	Ground plate .....		
40	1				1134-6441-01	Kablage.....	Harness.....		B&S
40		1			1137-0027-01	Kablage.....	Harness.....		Honda



Utgåva Issue 2011- 11		Bildnr Picture No 2021		PARK 4WD PRESTIGE- RESIDENCE MOTOR (Briggs & Stratton)		PARK 4WD PRESTIGE- RESIDENCE ENGINE (Briggs & Stratton)		Sida Page 138	
Pos. Fig.	Antal/Quantity				Art nr Part No	Benämning	Description	Sats Kit	Anmärkning Notes
	6377								
1	1				1134-6116-02	Luffring.....	Air duct .....		
2	4				9955-3725-16	Skruv.....	Screw.....		
3	1				1134-6100-01	Grenrör.....	Exhaust pipe .....		
4	1				9578-0011-01	Klämma.....	Clamp.....		
5	1				1134-6024-01	Ljuddämpare .....	Muffler .....		
6	1				9959-0820-16	Skruv.....	Screw.....		
7	1				9739-0831-22	Mutter.....	Nut.....		
8	1				1134-5827-01	Oljeavtappning kpl.....	Oil drain assy .....		Inkl. pos 9 - 12
9	1				1134-5825-01	• Nippel.....	• Nipple.....		
10	1				9578-0023-04	• Slangklämma.....	• Hose clamp .....		
11	1				1134-3499-02	• Slangklämma.....	• Hose clamp .....		
12	1				1134-5826-01	• Plugg.....	• Plug.....		
13	1				1137-0007-01	Motorremskiva .....	Engine pulley.....		Ø = 85 mm
14	1				1137-0082-01	Motorremskiva .....	Engine pulley.....		Ø = 139 mm
15	1				9600-0251-01	Kil.....	Key.....		
16	1				1134-5017-01	Bricka.....	Washer.....		
17	1				9987-5332-16	Skruv.....	Screw .....		
18	1				1134-5938-01	Bränsletank.....	Fuel tank .....		
19	1				1134-5532-01	Tanklock .....	Fuel tank cap.....		
20	1				1134-3224-01	Bensinkran.....	Fuel shut-off valve .....		
21	1				1134-3225-01	Gummibussning.....	Grommet.....		
22	1,1				9505-0001-01	Bensinslang (meter) .....	Fuel line (metre).....		Per meter
23	1				9578-0023-02	Slangklämma.....	Hose clamp .....		
24	1				9578-0023-02	Slangklämma.....	Hose clamp .....		
25	1				1134-5942-01	Tankbygel .....	Tank loop .....		
26	1				1134-5996-01	Tankbygel .....	Tank loop .....		
27	1				1134-4481-02	Vingmutter.....	Wing nut .....		
28	1				9747-0631-02	Låsmutter .....	Lock nut.....		
29	1				9579-0003-00	Buntband.....	Cable holder.....		
30	1				9852-8013-16	Skruv.....	Screw.....		
31	1				1134-0433-00	Ljuddämparpackning.....	Muffler gasket.....		
32	2				1134-4930-01	Skruv.....	Screw.....		
50	1				1134-6234-01	Deflektor.....	Heat deflector.....		
51	2				9943-0516-16	Skruv.....	Screw.....		
52	1				1134-6251-01	Deflektor.....	Heat deflector.....		
53	4				9959-0612-16	Skruv.....	Screw.....		
54	4				9739-0631-22	Mutter.....	Nut.....		

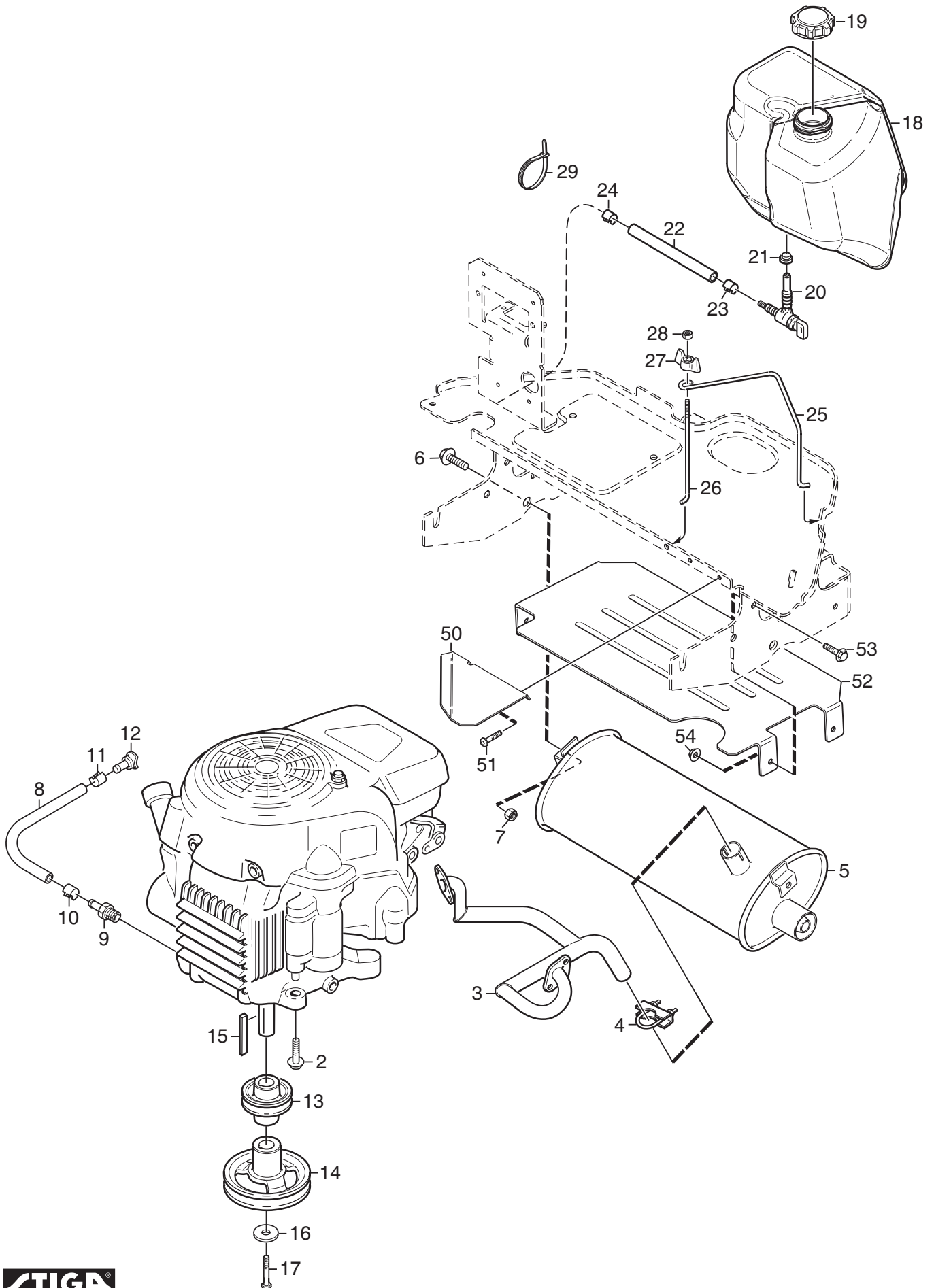
X  
X





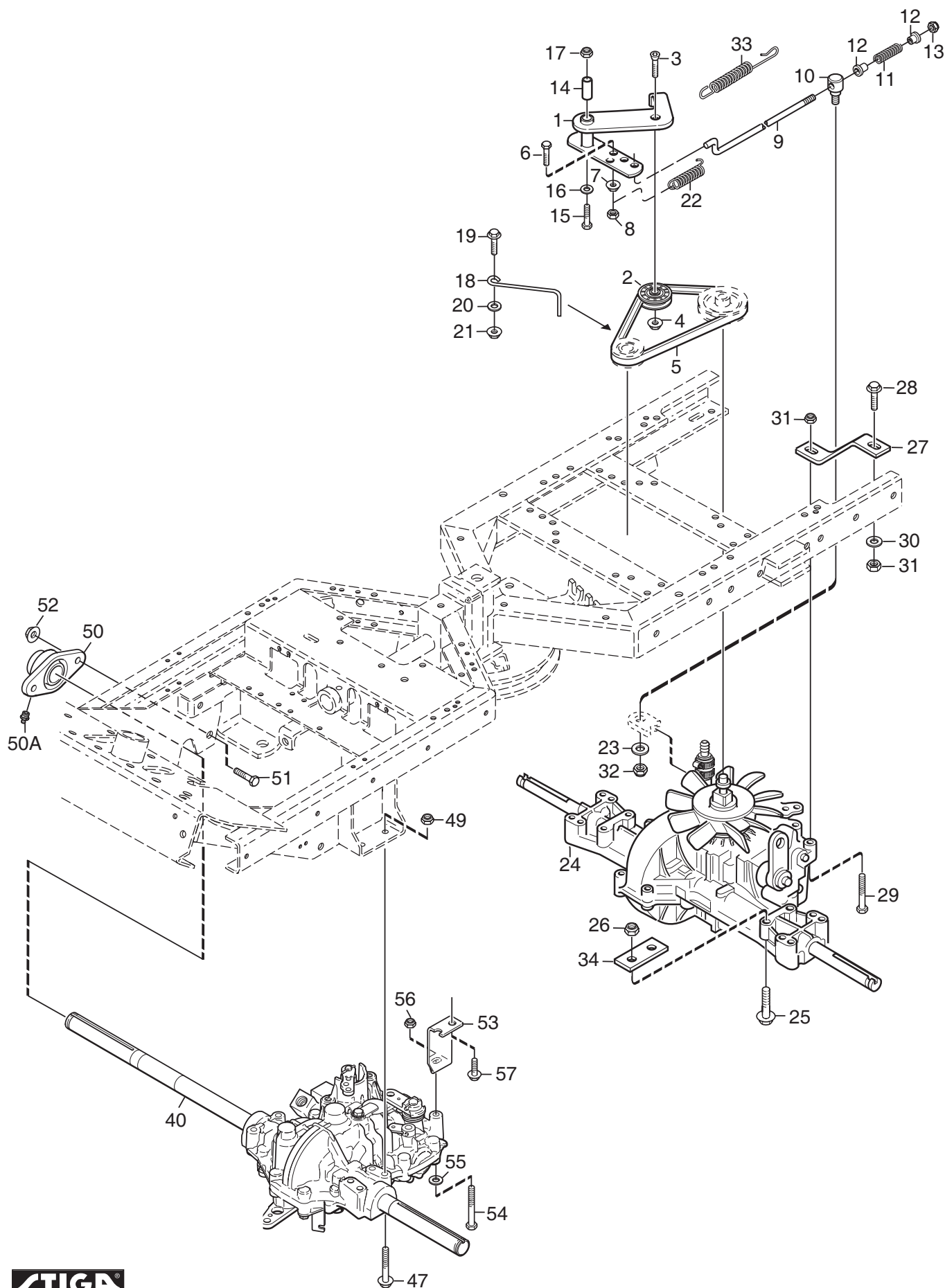
Utgåva Issue 2011- 11		Bildnr Picture No 2207C		PARK 4WD POWER MOTOR (Briggs & Stratton)		PARK 4WD POWER ENGINE (Briggs & Stratton)		Sida Page 140	
Pos. Fig.	Antal/Quantity				Art nr Part No	Benämning	Description	Sats Kit	Anmärkning Notes
	6175 -26								
2	4				9955-3725-16 Skruv.....	Screw.....			
3	1				1134-6339-01 Grenrör.....	Exhaust pipe.....			
4	1				9578-0011-01 Klämma.....	Clamp.....			
5	1				1134-6024-01 Ljuddämpare.....	Muffler.....			
6	1				9959-0820-16 Skruv.....	Screw.....			
7	1				9739-0831-22 Mutter.....	Nut.....			
8	1				1134-5827-04 Oljeavtappning kpl.....	Oil drain assy.....		Inkl. pos 9 - 12	
9	1				1134-5825-01 • Nippel.....	• Nipple.....			
10	1				9578-0023-04 • Slangklämma.....	• Hose clamp.....			
11	1				1134-3499-02 • Slangklämma.....	• Hose clamp.....			
12	1				1134-5826-01 • Plugg.....	• Plug.....			
13	1				1137-0007-01 Motorremskiva.....	Engine pulley.....		Ø = 85 mm	
14	1				1137-0082-01 Motorremskiva.....	Engine pulley.....		Ø = 139 mm	
15	1				9600-0251-01 Kil.....	Key.....			
16	1				1134-5017-01 Bricka.....	Washer.....			
17	1				9987-5332-16 Skruv.....	Screw.....			
18	1				1134-5938-01 Bränsletank.....	Fuel tank.....			
19	1				1134-5532-01 Tanklock.....	Fuel tank cap.....			
20	1				1134-3224-01 Bensinkran.....	Fuel shut-off valve.....			
21	1				1134-3225-01 Gummibussning.....	Grommet.....			
22	1,1				9505-0001-01 Bensinslang (meter).....	Fuel line (metre).....		Per meter	
23	1				9578-0023-02 Slangklämma.....	Hose clamp.....			
24	1				9578-0023-02 Slangklämma.....	Hose clamp.....			
25	1				1134-5942-01 Tankbygel.....	Tank loop.....			
26	1				1134-5996-01 Tankbygel.....	Tank loop.....			
27	1				1134-4481-02 Vingmutter.....	Wing nut.....			
28	1				9747-0631-02 Låsmutter.....	Lock nut.....			
29	1				9579-0003-00 Buntband.....	Cable holder.....			
30	1				9852-8013-16 Skruv.....	Screw.....			
32	4				9939-0820-16 Skruv.....	Screw.....			
42	1				1134-0994-02 Rörklammer.....	Tube clamp.....			
50	1				1134-6234-01 Deflektor.....	Heat deflector.....			
51	2				9943-0516-16 Skruv.....	Screw.....			
52	1				1134-6251-01 Deflektor.....	Heat deflector.....			
53	4				9959-0612-16 Skruv.....	Screw.....			
54	4				9739-0631-22 Mutter.....	Nut.....			

X  
X

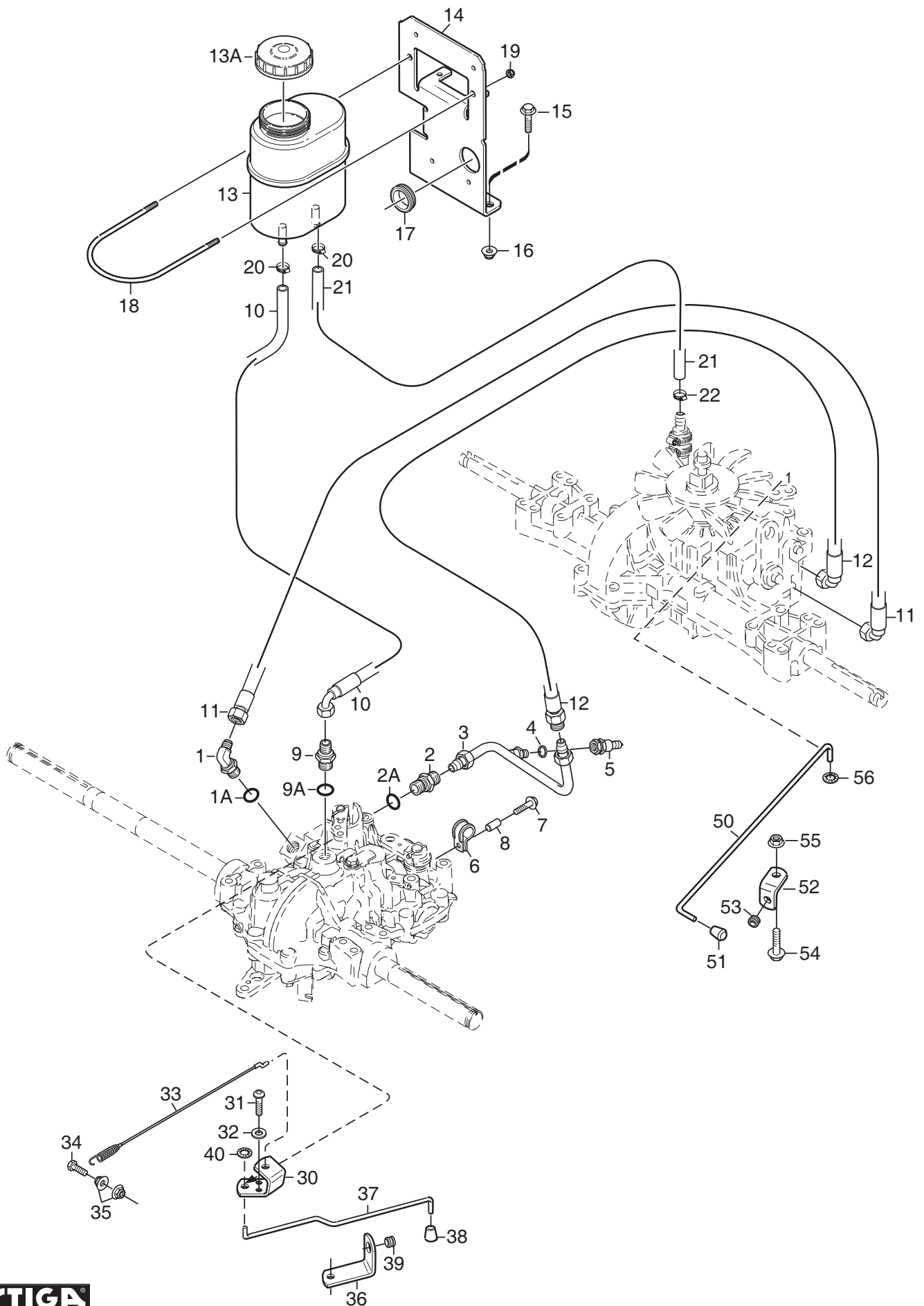


Utgåva Issue 2011- 11		Bildnr Picture No 2022		PARK 4WD ROYAL MOTOR (Honda)		PARK 4WD ROYAL ENGINE (Honda)		Sida Page 142	
Pos. Fig.	Antal/Quantity				Art nr Part No	Benämning	Description	Sats Kit	Anmärkning Notes
	6312								
2	4				9955-3725-16 Skruv.....	Screw.....			
3	1				1134-5947-01 Grenrör.....	Exhaust pipe.....			
4	1				9578-0011-01 Klämman.....	Clamp.....			
5	1				1134-6024-01 Ljuddämpare.....	Muffler.....			
6	1				9959-0820-16 Skruv.....	Screw.....			
7	1				9739-0831-22 Mutter.....	Nut.....			
8	1				1134-5827-01 Oljeavtappning kpl.....	Oil drain assy.....		Inkl. pos 9 - 12	
9	1				1134-5825-01 • Nippel.....	• Nipple.....			
10	1				9578-0023-04 • Slangklämman.....	• Hose clamp.....			
11	1				1134-3499-02 • Slangklämman.....	• Hose clamp.....			
12	1				1134-5826-01 • Plugg.....	• Plug.....			
13	1				1137-0007-01 Motorremskiva.....	Engine pulley.....		Ø = 85 mm	
14	1				1137-0082-01 Motorremskiva.....	Engine pulley.....		Ø = 139 mm	
15	1				9600-0251-01 Kil.....	Key.....			
16	1				1134-5017-01 Bricka.....	Washer.....			
17	1				9987-5332-16 Skruv.....	Screw.....			
18	1				1134-5938-01 Bränsletank.....	Fuel tank.....			
19	1				1134-5532-01 Tanklock.....	Fuel tank cap.....			
20	1				1134-3224-01 Bensinkran.....	Fuel shut-off valve.....			
21	1				1134-3225-01 Gummibussning.....	Grommet.....			
22	1,1				9505-0001-01 Bensinslang (meter).....	Fuel line (metre).....		Per meter	
23	1				9578-0023-02 Slangklämman.....	Hose clamp.....			
24	1				9578-0023-02 Slangklämman.....	Hose clamp.....			
25	1				1134-5942-01 Tankbygel.....	Tank loop.....			
26	1				1134-5996-01 Tankbygel.....	Tank loop.....			
27	1				1134-4481-02 Vingmutter.....	Wing nut.....			
28	1				9747-0631-02 Låsmutter.....	Lock nut.....			
29	1				9579-0003-00 Buntband.....	Cable holder.....			
30	1				9893-0616-16 Skruv.....	Screw.....			
50	1				1134-6234-01 Deflektor.....	Heat deflector.....			
51	2				9943-0516-16 Skruv.....	Screw.....			
52	1				1134-6251-01 Deflektor.....	Heat deflector.....			
53	4				9959-0612-16 Skruv.....	Screw.....			
54	4				9739-0631-22 Mutter.....	Nut.....			

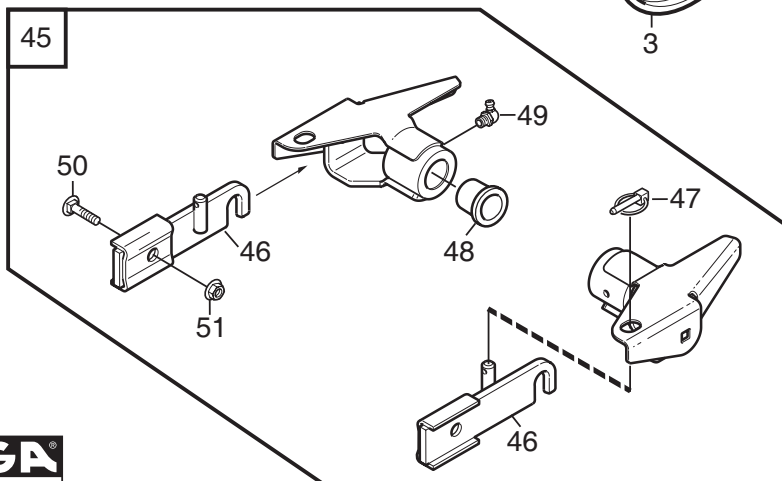
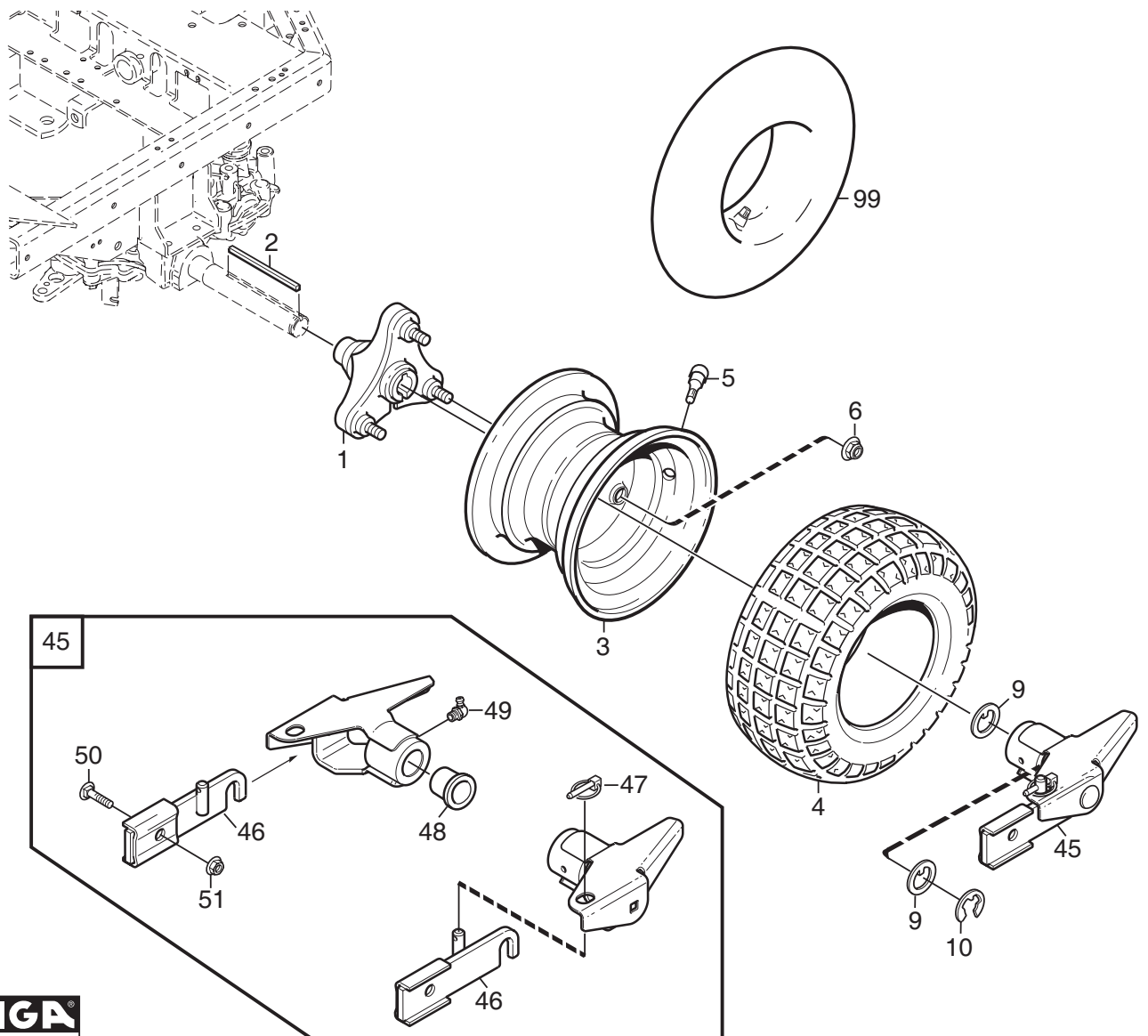
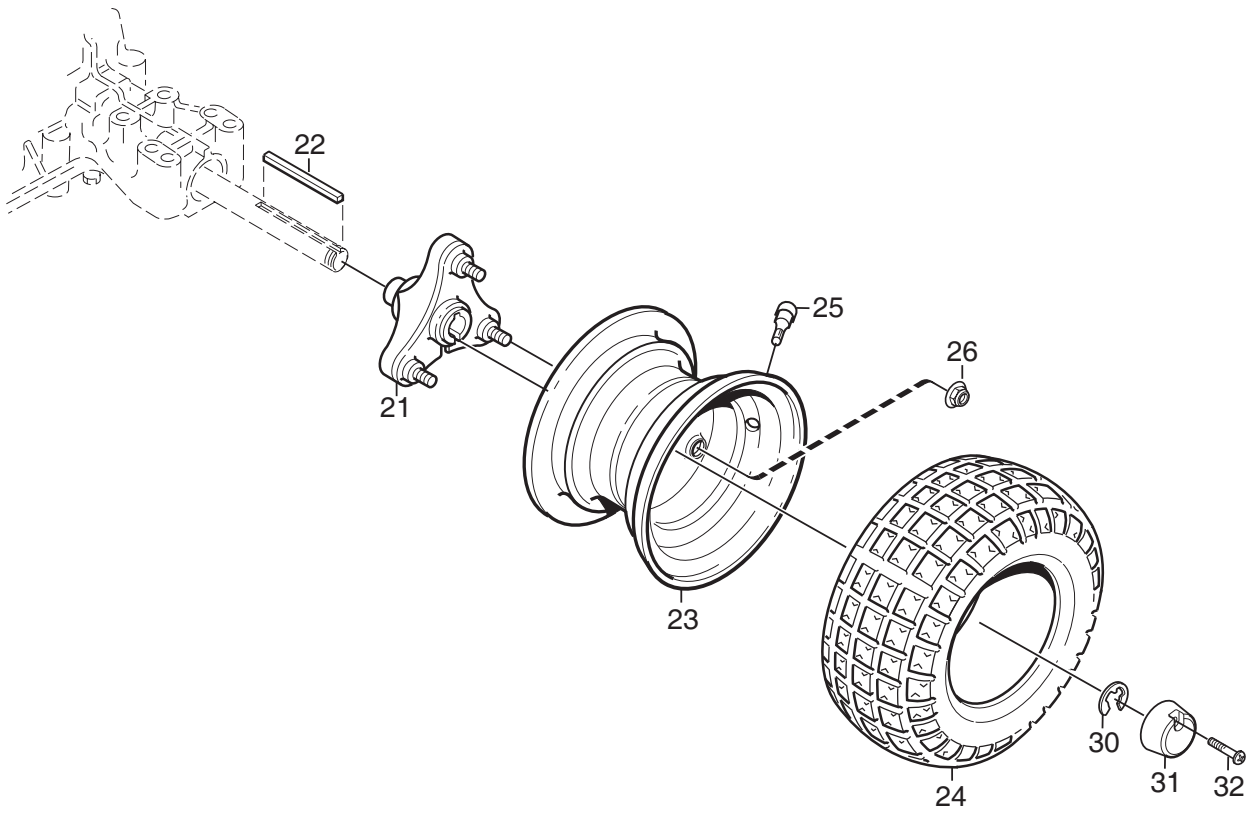
X  
X



Utgåva Issue		Bildnr Picture No		PARK 4WD TRANSMISSION (mek)		PARK 4WD TRANSMISSION (mech)		Sida Page	
2011- 11		2038B						144	
Pos. Fig.	Antal/Quantity			Art nr Part No	Benämning	Description	Sats Kit	Anmärkning Notes	
	6377	6378 6312	6175 -26						
1	1	1	1	1134-4000-02	Spännarm .....	Tension arm .....		= 9585-0091-01	
2	1	1	1	1134-3459-01	Spännrulle .....	Tension roller .....			
3	1	1	1	9924-1035-16	Skruv .....	Screw .....			
4	1	1	1	9799-1031-02	Mutter .....	Nut .....			
5	1	1	1	1134-9058-01	Drivrem .....	V- belt.....			
6	1	1	1	9997-0625-16	Skruv .....	Screw .....			
7	1	1	1	9739-0631-22	Mutter .....	Nut .....			
8	1	1	1	9747-0631-02	Låsmutter .....	Lock nut .....			
9	1	1	1	1134-3377-02	Reglagestång .....	Control rod.....			
10	1	1	1	1134-4171-01	Ledtapp .....	Pivot pin .....			
11	1	1	1	1134-4183-01	Tryckfjäder .....	Compression spring.....			
12	2	2	2	1134-3456-01	Bussning .....	Bushing.....			
13	1	1	1	9747-0631-02	Låsmutter .....	Lock nut .....			
14	1	1	1	1134-1565-08	Distans .....	Spacer .....			
15	1	1	1	9997-0870-16	Skruv .....	Screw .....			
16	1	1	1	9699-0056-02	Planbricka.....	Flat washer.....			
17	1	1	1	9747-0831-02	Mutter .....	Lock nut .....			
18	1	1	1	1134-3289-02	Remstyrning .....	Belt guide .....			
19	1	1	1	9959-0820-16	Skruv .....	Screw .....			
20	1	1	1	9699-0056-02	Planbricka.....	Flat washer.....			
21	1	1	1	9739-0831-22	Mutter .....	Nut .....			
22	1	1	1	1134-6414-01	Fjäder .....	Spring .....			
23	1	1	1	9699-0060-02	Planbricka.....	Flat washer.....			
24	1		1	1137-0124-01	Transaxel kpl.....	Transaxle assy.....	Kanzaki K574G 2- port Kanzaki K574F 4- port		
24		1		1137-0125-01	Transaxel kpl.....	Transaxle assy.....			
25	4	4	4	9960-0860-12	Skruv .....	Screw .....			
26	4	4	4	9747-0831-02	Mutter .....	Lock nut .....			
27	1	1	1	1134-3913-01	Reaktionsstag .....	Strut .....			
28	1	1	1	9959-0825-16	Skruv .....	Screw .....			
29	1	1	1	9997-0845-12	Skruv .....	Screw .....			
30	1	1	1	9699-0090-02	Planbricka.....	Flat washer.....			
31	2	2	2	9747-0831-02	Mutter .....	Lock nut .....			
32	1	1	1	9747-0631-02	Låsmutter .....	Lock nut .....			
33	1	1	1	4231-0013-00	Fjäder .....	Spring .....			
34			2	1134-3376-01	Mellanlägg .....	Spacer plate .....			
40	1	1	1	1134-6029-01	Motoraxel- fram .....	Transaxle- front .....	Kanzaki KTM 10M		
47	2	2	2	9960-0860-12	Skruv .....	Screw .....			
49	2	2	2	9747-0831-02	Mutter .....	Lock nut .....			
50	1	1	1	1134-5703-01	Flänslagerenhet .....	Flange bearing.....			
50A	1	1	1	9501-0500-00	• Smörjnippel .....	• Grease joint .....			
51	2	2	2	9997-1040-16	Skruv .....	Screw .....			
52	2	2	2	9731-1031-22	Mutter .....	Nut .....			
53	1	1	1	1134-5670-01	Reaktionsstag .....	Strut .....			
54	1	1	1	9997-0880-16	Skruv .....	Screw .....			
55	1	1	1	9699-0090-02	Planbricka.....	Flat washer.....			
56	1	1	1	9747-0831-02	Mutter .....	Lock nut .....			
57	2	2	2	9945-0816-16	Skruv .....	Screw .....			

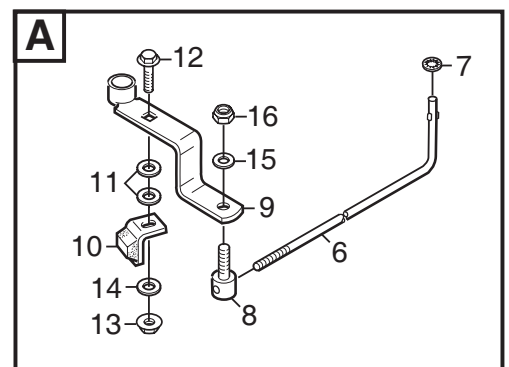
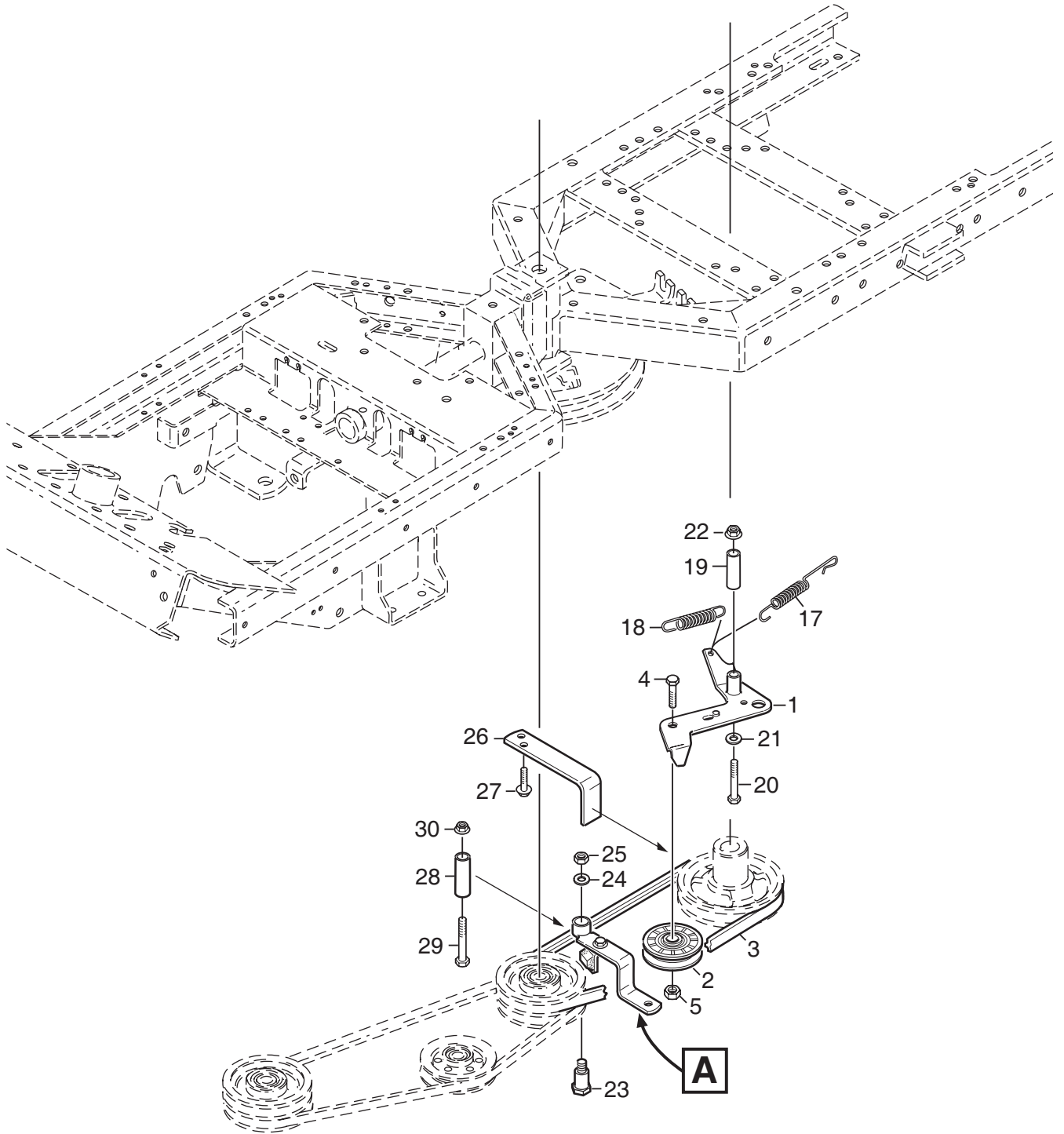


Utgåva Issue		Bildnr Picture No		PARK 4WD TRANSMISSION (hydr)		PARK 4WD TRANSMISSION (hydr)		Sida Page	
2011- 11		2039B						146	
Pos. Fig.	Antal/Quantity			Art nr Part No	Benämning	Description	Sats Kit	Anmärkning Notes	
	6377 6378 6312	6175 -26							
	1	1	1	1134-6044-01	Vinkeladapter .....	Angle coupling .....		3/4" x 9/16"	
	1A	1	1	9404-0029-01	• O-ring .....	• O-ring .....			
	2	1	1	1134-5875-01	Skäringskoppling .....	Hydraulic coupling .....		3/4"	
	2A	1	1	9404-0029-01	• O-ring .....	• O-ring .....			
	3	1	1	1134-6039-01	Hydraulrör .....	Hydraulic pipe .....			
	4	1	1	1134-4948-01	Tredobricka .....	Seal washer .....		1/4"	
	5	1	1	1134-6042-01	Snabbkoppling- hane .....	Quick coupling- male .....			
	6	1	1	9578-0028-01	Rörklammer .....	Tube clamp .....			
	7	1	1	9959-0825-16	Skruv .....	Screw .....			
	8	1	1	1134-1565-09	Distans .....	Spacer .....			
	9	1	1	1134-5809-01	Adapter .....	Hydraulic coupling .....		3/4" x 9/16"	
	9A	1	1	9404-0029-01	• O-ring .....	• O-ring .....			
X	10	1	1	1137-0215-04	Hydraulslang .....	Hydraulic tube .....		L = 1400 mm	
X	11	1	1	1137-0195-01	Hydraulslang .....	Hydraulic tube .....		L = 1275 mm	
X	12	1	1	1137-0212-01	Hydraulslang .....	Hydraulic tube .....		L = 1210 mm	
	13	1	1	1134-6011-01	Hydraultank .....	Hydraulic oil tank .....			
X	13A	1	1	1137-0272-01	• Tanklock .....	• Tank cap .....			
	14	1	1	1134-5941-01	Tankkonsol .....	Tank bracket .....			
	15	2	2	9959-0820-16	Skruv .....	Screw .....			
	16	2	2	9739-0831-22	Mutter .....	Nut .....			
	17	1	1	1134-3203-01	Kabelgenomföring .....	Grommet .....			
	18	1	1	1134-5943-01	Tankbygel .....	Tank loop .....			
	19	2	2	9747-0631-02	Låsmutter .....	Lock nut .....			
X	20	2	2	9578-0035-01	Slangklämma .....	Hose clamp .....		14,6-17,8	
	21	1	1	1134-2779-02	Slang .....	Tube .....		L = 260 mm	
	22	1	1	9578-0023-04	Slangklämma .....	Hose clamp .....		15*8	
	30	1	1	1134-6162-01	Fäste .....	Bracket .....			
	31	2	2	9939-0612-16	Skruv .....	Screw .....			
	32	2	2	9699-0025-02	Planbricka .....	Washer .....			
	33	1	1	1134-6163-01	Wire .....	Cable .....			
	34	1	1	9997-0835-12	Skruv .....	Screw .....			
	35	2	2	9739-0831-22	Mutter .....	Nut .....			
	36	1	1	1134-6084-01	Reglagekonsol .....	Control bracket .....			
	37	1	1	1134-6083-01	Reglagestång .....	Control rod .....			
	38	1	1	1134-4014-01	Plastknopp .....	Plastic button .....			
	39	1	1	1134-2790-01	Gummihylsa .....	Rubber grommet .....			
	40	1	1	9675-0009-02	Starlock .....	Starlock .....			
	50	1	1	1134-4015-01	Dragstång .....	Pull rod .....			
	51	1	1	1134-4014-01	Plastknopp .....	Plastic button .....			
	52	1	1	1134-4713-01	Vinkel .....	Bracket .....			
	53	1	1	1134-2790-01	Gummihylsa .....	Rubber grommet .....			
	54	1	1	9959-0820-16	Skruv .....	Screw .....			
	55	1	1	9739-0831-22	Mutter .....	Nut .....			
	56	1	1	9675-0009-02	Starlock .....	Starlock .....			

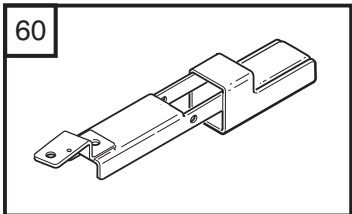
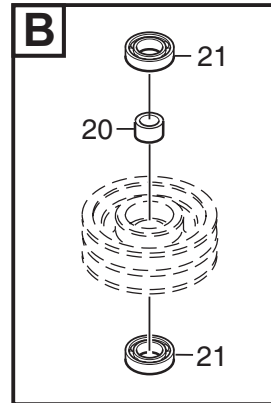
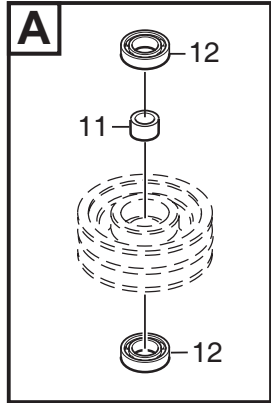
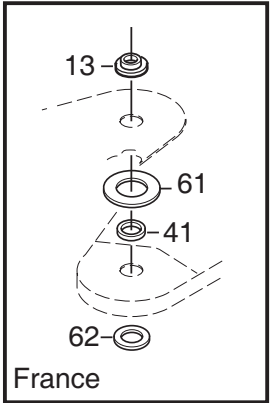
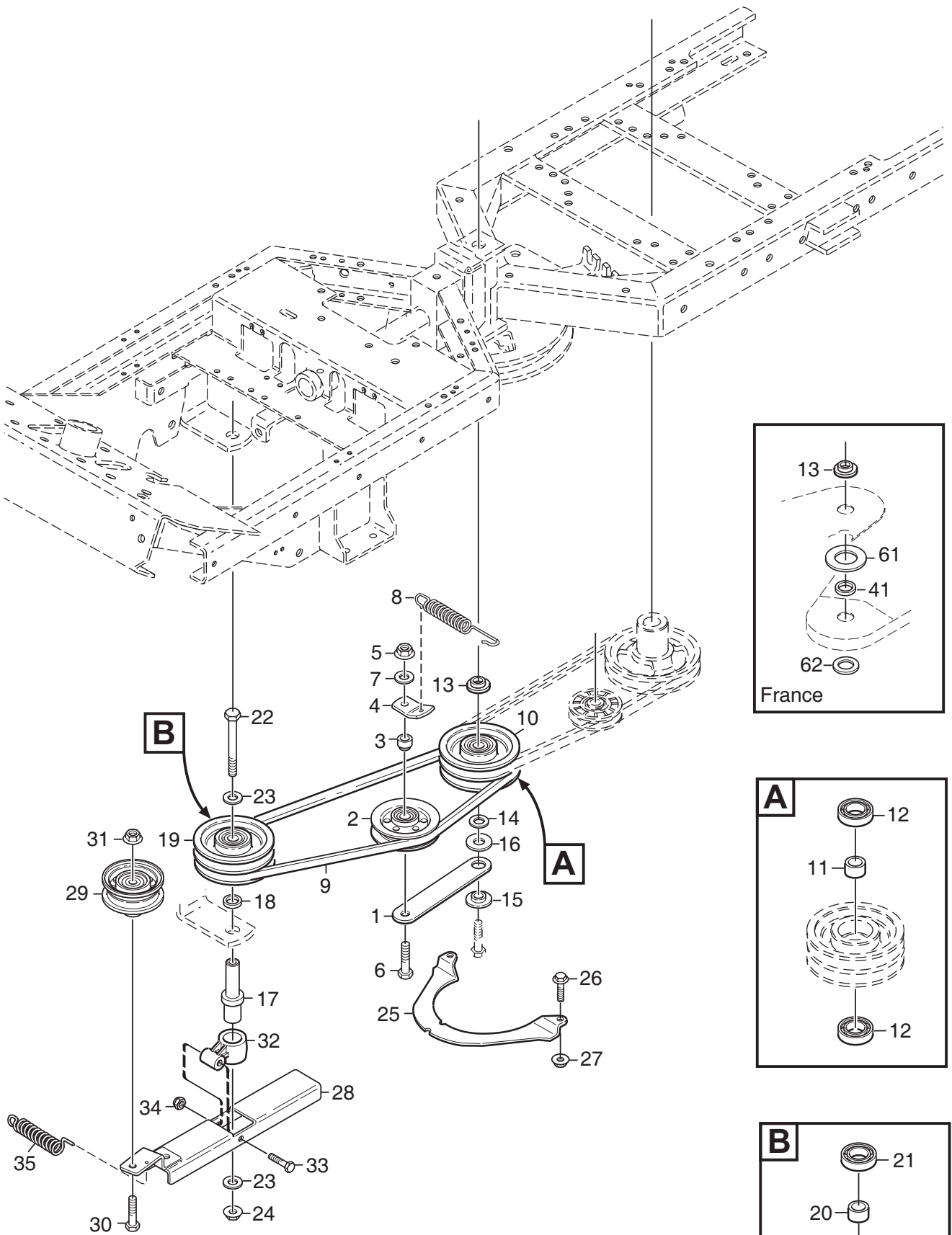




Utgåva Issue		Bildnr Picture No		PARK 4WD HJUL 16"		PARK 4WD WHEELS 16"		Sida Page	
2011- 11		2208C						148	
Pos. Fig.	Antal/Quantity			Art nr Part No	Benämning	Description	Sats Kit	Anmärkning Notes	
	6377 6378 6312	6175 -26							
1	2	2		1134-4844-03	Hjulnav .....	Wheel hub .....		16 x 7.50 - 8	
2	2	2		1134-3383-02	Kil .....	Key .....			
3	2	2		1134-4558-01	Fälg .....	Rim .....			
4	2	2		9545-0116-00	Däck .....	Tyre .....			
5	2	2		9545-0500-00	Ventil .....	Valve .....			
6	6	6		9731-1031-22	Mutter .....	Nut .....			
9	4	4		1134-5797-01	• Bricka .....	• Washer .....			
10	2	2		9653-0002-04	• Spårryttare .....	• Lock ring .....			
21	2	2		1134-4844-02	Hjulnav .....	Wheel hub .....			
22	2	2		1134-2471-01	Kil .....	Key .....			
23	2	2		1134-4558-01	Fälg .....	Rim .....			
24	2	2		9545-0116-00	Däck .....	Tyre .....	16 x 7.50 - 8		
25	2	2		9545-0500-00	Ventil .....	Valve .....			
26	6	6		9731-1031-22	Mutter .....	Nut .....			
30	2	2		9653-0001-04	Spårryttare .....	Lock ring .....			
31	2	2		1134-4796-01	Navkapsel .....	Hub cap .....			
32	2	2		9947-0540-19	Skruv .....	Screw .....			
45	1	1		13-0993-61	Snabbfäste kpl .....	Quick connections .....		Inkl. pos 9,10,46-51 Inkl. pos 50-51	
46	1	1		1134-7465-01	• Fästen kpl, vä+hö .....	• Attachment kit, LH+RH .....			
47	2	2		1137-0077-01	• Låssprint .....	• Locking pin .....			
48	4	4		1134-5686-01	• Lagerbussning .....	• Bearing bush .....			
49	2	2		9501-0502-00	• Smörjnippel .....	• Grease joint .....			
50	2	2		9898-1035-16	•• Skruv .....	•• Screw .....			
51	2	2		9739-1031-22	•• Mutter .....	•• Nut .....			
99				9545-0203-00	Innerslang .....	Inner tube .....	Reservdel/spare part		



Utgåva Issue		Bildnr Picture No		PARK 4WD KRAFTUTTAG 1		PARK 4WD POWER TAKE-OFF 1		Sida Page	
2011-11		2030						150	
Pos. Fig.	Antal/Quantity			Art nr Part No	Benämning	Description	Sats Kit	Anmärkning Notes	
	6377 6378 6312	6175 -26	6377 6378 6312 FR						
	1	1	1	1134-2018-02	Spännarm .....	Tension arm .....			
	2	1	1	1134-9027-02	Spännrulle- grå .....	Tension roller- grey .....			
	3	1	1	1134-9071-01	Drivrem .....	V- belt .....		= 9585-0129-01	
	4	1	1	9997-1030-16	Skruv .....	Screw .....			
	5	1	1	9799-1031-02	Mutter .....	Nut .....			
	6	1	1	1134-4162-01	Bromsstång .....	Brake rod .....		L = 240 mm	
X	6			1134-4162-02	Bromsstång .....	Brake rod .....		L = 226 mm, France	
	7	1	1	9675-0008-02	Starlock .....	Locking washer .....			
	8	1	1	1134-4170-01	Nippel .....	Nipple .....			
	9	1	1	1134-4111-01	Bromsarm .....	Brake arm .....			
	10	1	1	1134-4164-03	Bromsklots .....	Brake pad .....			
X	10			1137-0389-01	Bromsklots .....	Brake pad .....		France	
	11	2	2	9699-0035-02	Planbricka .....	Flat washer .....			
	12	1	1	9897-0825-16	Skruv .....	Screw .....			
	13	1	1	9747-0831-02	Mutter .....	Lock nut .....			
	14	1	1	9699-0090-02	Planbricka .....	Flat washer .....			
	15	1	1	9699-0025-02	Planbricka .....	Washer .....			
	16	1	1	9747-0631-02	Låsmutter .....	Lock nut .....			
	17	1	1	4231-0013-00	Fjäder .....	Spring .....			
	18	1	1	1134-4231-01	Dragfjäder .....	Spring .....			
	19	1	1	1134-1565-10	Distans .....	Spacer .....			
	20	1	1	9997-0860-12	Skruv .....	Screw .....			
	21	1	1	9699-0056-02	Planbricka .....	Flat washer .....			
	22	1	1	9739-0831-22	Mutter .....	Nut .....			
	23	1	1	1134-4163-01	Ansatsskruv .....	Shoulder bolt .....			
	24	1	1	9699-0035-02	Planbricka .....	Flat washer .....			
	25	1	1	9739-1031-22	Mutter .....	Nut .....			
	26	1	1	1134-3958-01	Remstyrning .....	Belt guide .....			
X	26			1134-3958-02	Remstyrning .....	Belt guide .....		France	
	27	2	2	9893-0616-16	Skruv .....	Screw .....			
	28	1	1	1134-0041-03	Hylsa .....	Collar .....			
	29	1	1	9997-1070-12	Skruv .....	Screw .....			
	30	1	1	9739-1031-22	Mutter .....	Nut .....			



Utgåva Issue		Bildnr Picture No		PARK 4WD KRAFTUTTAG 2		PARK 4WD POWER TAKE-OFF 2		Sida Page	
2011-11		2031B						152	
Pos. Fig.	Antal/Quantity			Art nr Part No	Benämning	Description	Sats Kit	Anmärkning Notes	
	6377 6378 6312	6175 -26	6377 6378 6312 FR						
1	1	1	1	1134-1730-01	Spännhjulssarm .....	Tension wheel arm .....			
2	1	1	1	1134-3663-01	Spännrulle .....	Tension wheel .....			
3	1	1	1	1134-1888-05	Distans .....	Spacer .....			
4	1	1	1	1134-1893-01	Fjäderfäste .....	Spring attachment .....			
5	1	1	1	9739-1031-22	Mutter .....	Nut .....			
6	1	1	1	9997-1060-12	Skruv .....	Screw .....			
7	1	1	1	9699-0035-02	Planbricka .....	Flat washer .....			
8	1	1	1	1134-5713-01	Dragfjäder .....	Spring .....			
9	1	1	1	1134-9098-01	Drivrem .....	V-belt .....			
10	1	1	1	1137-0004-01	Centrumremskiva kpl. ....	Centre pulley assy .....		= 9585-0148-01 Inkl. pos 11-12	
11	1	1	1	1134-0051-09	• Distans .....	• Spacer .....			
12	2	2	2	9549-0019-00	• Kullager .....	• Ball bearing .....			
13	1	1	1	1134-5548-01	Distans .....	Spacer .....			
14	1	1	1	9699-0035-02	Planbricka .....	Flat washer .....			
15	1	1	1	1134-0222-00	Bricka .....	Washer .....			
16	1	1	1	9699-0109-02	Planbricka .....	Flat washer .....			
17	1	1	1	1134-5663-01	Axel .....	Shaft .....			
18	1	1	1	1134-0052-00	Lagerdistans .....	Bearing spacer .....			
19	1	1	1	1137-0004-01	Centrumremskiva kpl. ....	Centre pulley assy .....		Inkl. pos 20-21	
20	1	1	1	1134-0051-09	• Distans .....	• Spacer .....			
21	2	2	2	9549-0019-00	• Kullager .....	• Ball bearing .....			
22	1	1	1	9997-1011-06	Skruv .....	Screw .....			
23	2	2	2	9699-0030-02	Planbricka .....	Flat washer .....			
24	1	1	1	9739-1031-22	Mutter .....	Nut .....			
25	1	1	1	1134-3654-01	Fingerskydd .....	Finger guard .....			
26	2	2	2	9959-0612-16	Skruv .....	Screw .....			
27	2	2	2	9739-0631-22	Mutter .....	Nut .....			
28	1	1	1	1134-5660-01	Spännarm .....	Tension arm .....			
29	1	1	1	1134-5823-01	Spännrulle .....	Tension roller .....			
30	1	1	1	9997-1050-16	Skruv .....	Screw .....			
31	1	1	1	9739-1031-22	Mutter .....	Nut .....			
32	1	1	1	1134-6314-01	Spännarmsfäste .....	Attachment .....			
33	1	1	1	9997-0645-12	Skruv .....	Screw .....			
34	1	1	1	9747-0631-02	Låsmutter .....	Lock nut .....			
35	1	1	1	1134-5824-01	Fjäder .....	Spring .....			
X 60			1	1137-0386-01	Spännarm .....	Tension arm .....		France	
X 61			1	1137-0353-01	Bricka (plast) .....	Washer (plastic) .....		26x50x2 mm	
62			1	9699-0104-02	Bricka .....	Washer .....		17x30x3 mm	