

Genuine Spare Parts

www.stiga.com

PARK Mower Deck 95 Combi Model Year 2011/2012

includes:

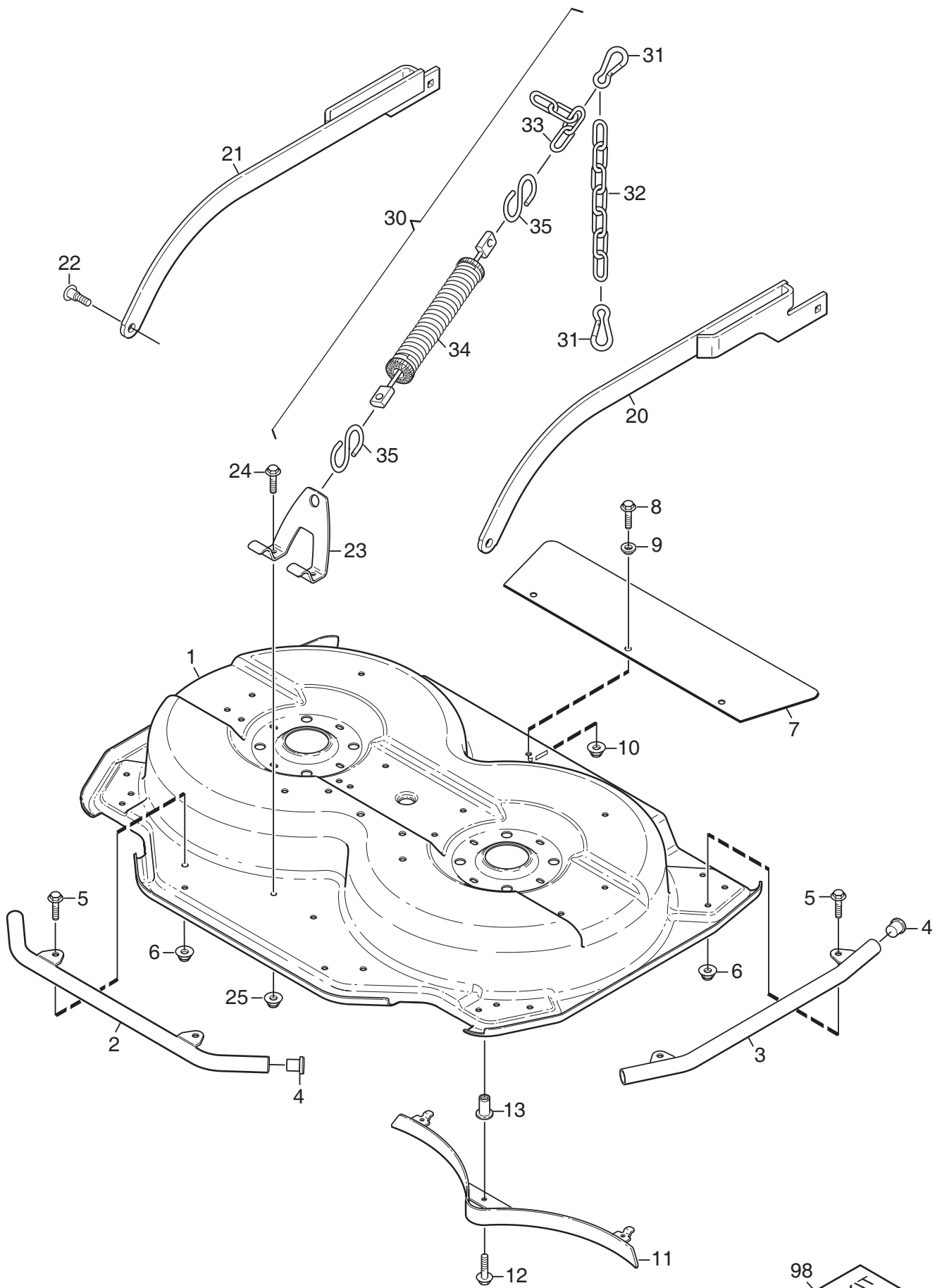
- 13-2964-34 Mower deck 95 Combi
- 13-2964-54 Mower deck 95 Combi
- 13-2967-34 Mower deck 95 Combi

- Use GLOBAL GARDEN PRODUCT Genuine Spare Parts specified in the parts list for repair and/or replacement.
- The contents described in the parts list may change due to improvement.
- The drawings of the spare parts are only indicative and might not represent the part in question exactly.
- The indications "right" - "left" - "front" - "rear" refer to the position of the operator when using the machine.
- When placing orders of parts for repair and/or replacement, make sure that the illustrated parts list is the one applying to the machine's year of manufacture, as shown on the identification plate attached to the machine.

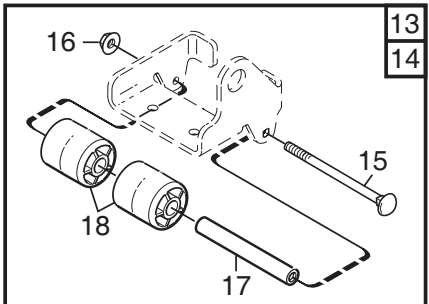
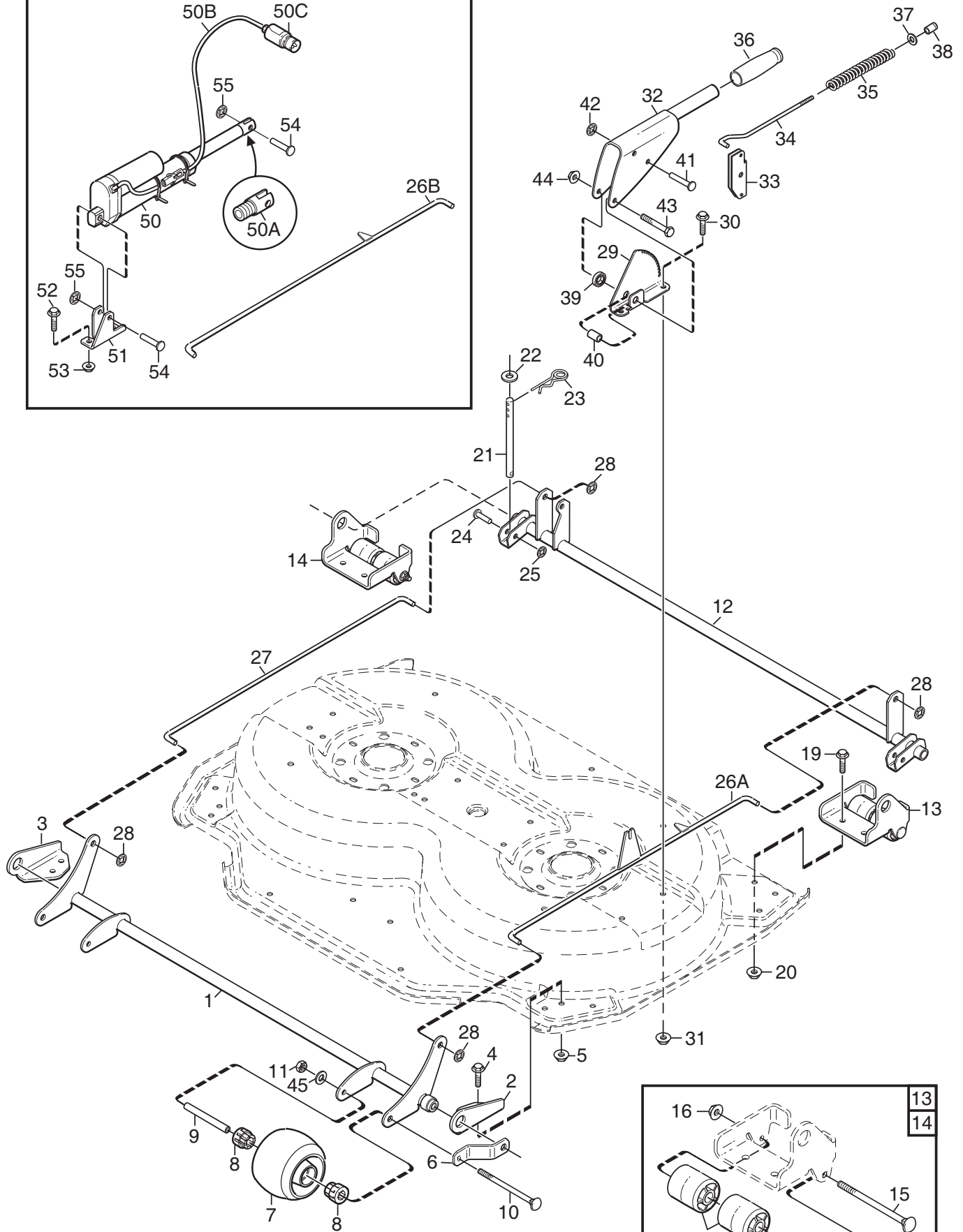
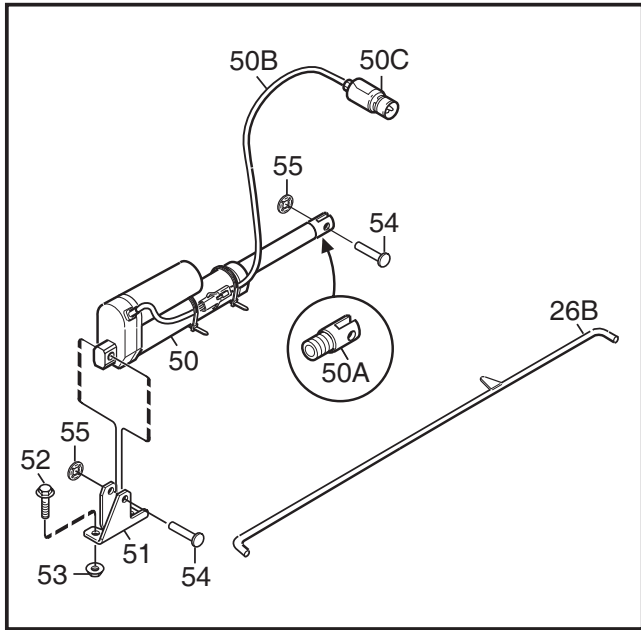
COPYRIGHT by GLOBAL GARDEN PRODUCTS

All rights reserved. No part of this material may be reproduced or transmitted, in any form or by any means, electronic or mechanical, including photocopying, recording or by any information storage and retrieval system, without permission in writing from GLOBAL GARDEN PRODUCTS.

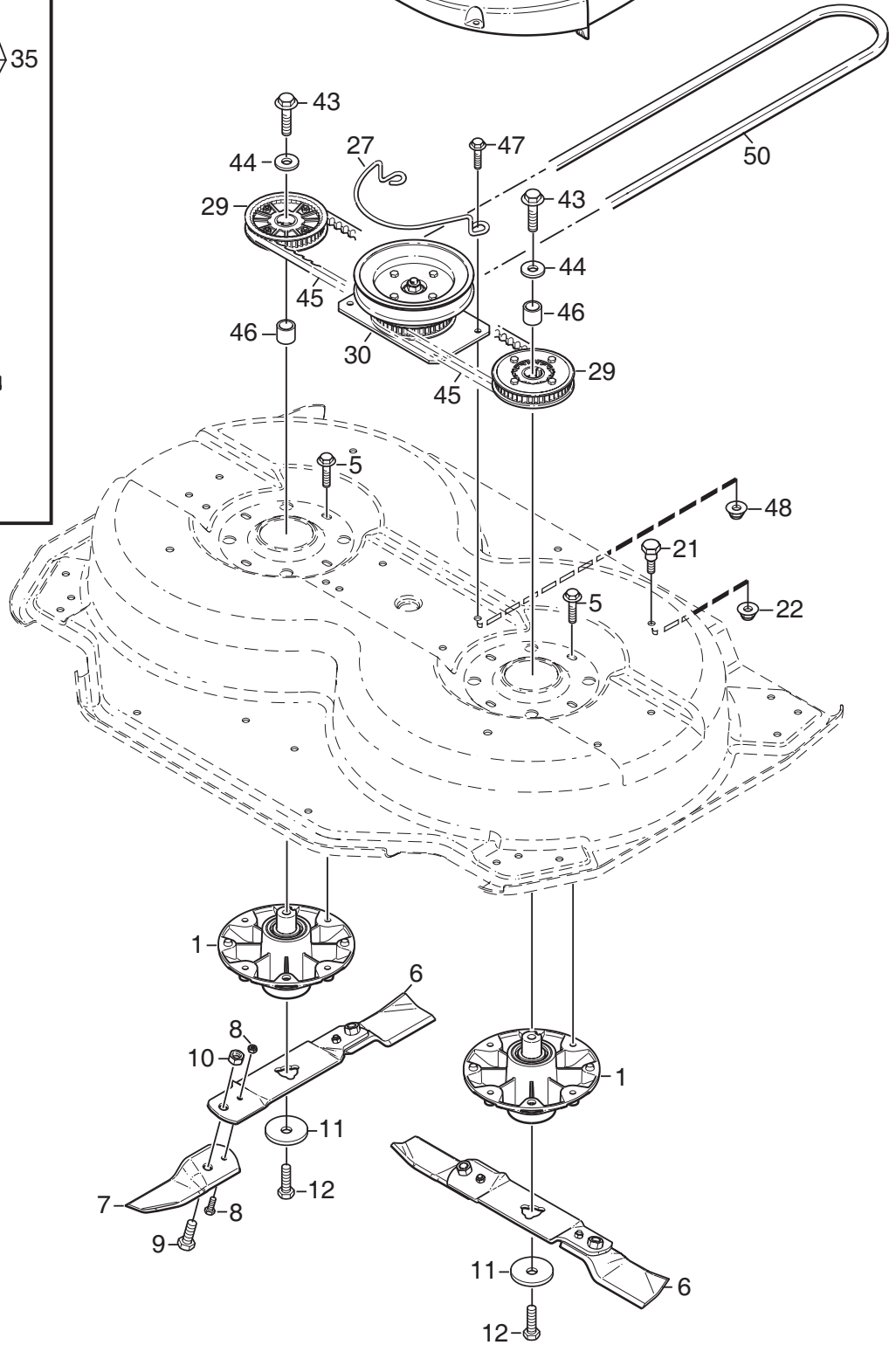
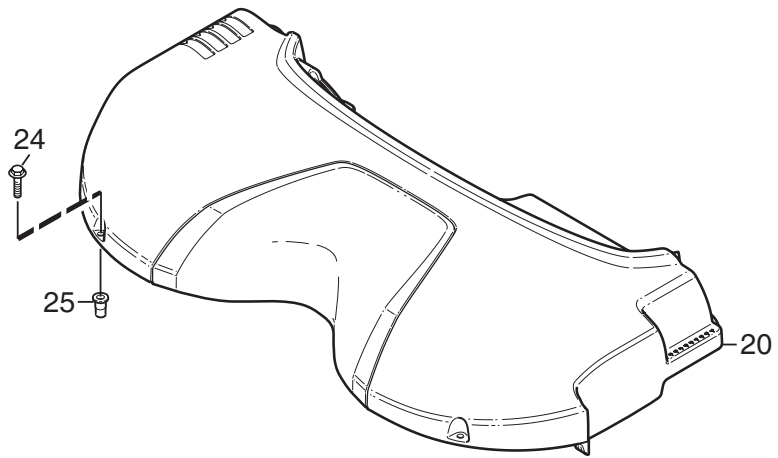
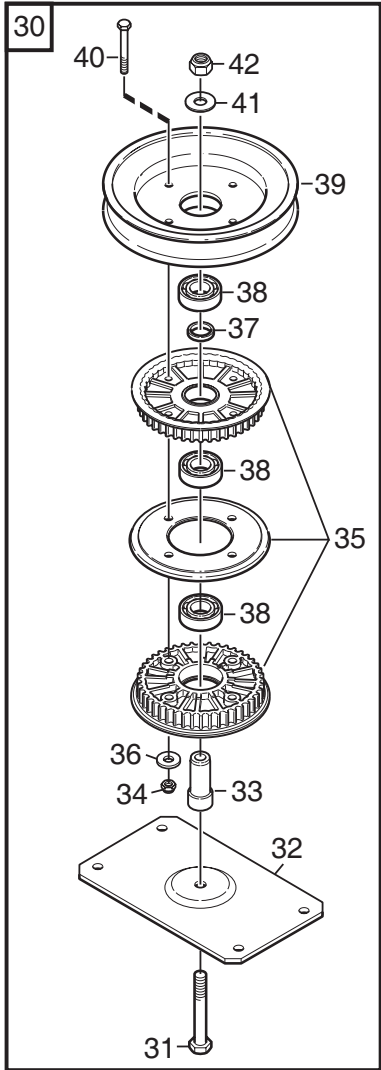




| Utgåva Issue 2011- 11 | | Bildnr Picture No 2214A | | PARK KLIPPAGGREGAT 95 COMBI RAM | | PARK MOWER DECK 95 COMBI FRAME | | Sida Page 192 | |
|-----------------------------|----------------|-------------------------------|-------------|--|-------------------|---|------------------------------|---------------------|--|
| Pos. Fig. | Antal/Quantity | | | | Art nr Part No | Benämning | Description | Sats Kit | Anmärkning Notes |
| | 2964 -34 | 2967 -34 | 2964 -54 | | | | | | |
| 1 | 1 | | | | 1134-6190-01 | Kåpa- gul | Casing- yellow | | Inkl. pos 13 (3 st) Inkl. pos 13 (3 st) |
| 1 | | 1 | | | 1134-6190-03 | Kåpa- röd | Casing- red | | |
| 2 | 1 | | | | 1134-6208-01 | Frontskydd- grå | Front guard tube- grey | | |
| 2 | | 1 | | | 1134-6208-02 | Frontskydd- svart | Front guard tube- bl. | | |
| 3 | 2 | | | | 1134-6222-01 | Sidoskydd- grå | Side guard tube- grey | | |
| 3 | | 2 | | | 1134-6222-02 | Sidoskydd- svart | Side guard tube- black | | |
| 4 | | 6 | | | 9403-0025-70 | Ändplugg- svart | End cap- black | | |
| 4 | 6 | | | | 9403-0025-80 | Ändplugg- grå | End cap- grey | | |
| 5 | 6 | 6 | | | 9959-0816-16 | Skruv | Screw | | |
| 6 | 6 | 6 | | | 9739-0831-22 | Mutter | Nut | | |
| 7 | 1 | 1 | | | 1134-6281-02 | Gummiskydd | Rubber guard | | |
| 8 | 3 | 3 | | | 9959-0816-16 | Skruv | Screw | | |
| 9 | 3 | 3 | | | 1134-4185-01 | Ansatsbricka | Flange washer | | |
| 10 | 3 | 3 | | | 9739-0831-22 | Mutter | Nut | | |
| 11 | 1 | 1 | | | 1134-6229-01 | Kombiplugg | Mulching plug | | |
| 12 | 1 | 1 | | | 9959-0816-16 | Skruv | Screw | | |
| 13 | 3 | 3 | | | 1134-5595-01 | • Nitmutter | • Riveting nut | | |
| 20 | 1 | | | | 1134-6237-03 | Aggregatsarm- vä, grå | Deck arm- LH, grey | | |
| 20 | | 1 | | | 1134-6237-09 | Aggregatsarm- vä, sv. | Deck arm- LH, black | | |
| 21 | 1 | | | | 1134-6237-04 | Aggregatsarm- hö, grå | Deck arm- RH, grey | | |
| 21 | | 1 | | | 1134-6237-10 | Aggregatsarm- hö, sv. | Deck arm- RH, black | | |
| 22 | 2 | 2 | | | 1134-6279-01 | Ansatsskruv | Shoulder bolt | | |
| 23 | 1 | | | | 1134-6315-01 | Lyftfäste- grå | Lift bracket- grey | | |
| 23 | | 1 | | | 1134-6315-02 | Lyftfäste- svart | Lift bracket- black | | |
| 24 | 2 | 2 | | | 9959-0816-16 | Skruv | Screw | | |
| 25 | 2 | 2 | | | 9739-0831-22 | Mutter | Nut | | |
| 30 | 1 | 1 | | | 1134-6362-01 | Lyftfjäder kpl | Lift spring assy | | Inkl. pos 31 - 35 |
| 31 | 2 | 2 | | | 1134-5528-01 | • Karbinhake | • Snap hook | | |
| 32 | 1 | 1 | | | 1134-6368-02 | • Kedja | • Chain | | 7 links |
| 33 | 1 | 1 | | | 1134-6368-01 | • Kedja | • Chain | | 4 links |
| 34 | 1 | 1 | | | 1134-6365-03 | • Lyftfjäder | • Lift spring | | |
| 35 | 2 | 2 | | | 1134-4623-01 | • S- krok | • S- hook | | |
| 98 | 1 | 1 | | | 1134-5594-02 | Dekalsats | Label kit | | |
| X 99 | 1 | | | | 8211-7000-10 | Bruksanvisning | Owner's manual | | Ej ill/not ill. |



| Utgåva Issue 2011- 11 | | Bildnr Picture No 2132 | | PARK KLIPPAGGREGAT 95 COMBI REGLAGE | | PARK MOWER DECK 95 COMBI CONTROLS | | Sida Page 194 | |
|-----------------------------|----------------|------------------------------|-------------|--|-----------------------------|--|-------------|---------------------|--|
| Pos. Fig. | Antal/Quantity | | | Art nr Part No | Benämning | Description | Sats Kit | Anmärkning Notes | |
| | 2964 -34 | 2967 -34 | 2964 -54 | | | | | | |
| 1 | 1 | 1 | | 1134-6275-01 | Framaxel- gul | Front axle- yellow | | | |
| 1 | | | 1 | 1134-6275-02 | Framaxel- svart | Front axle- black | | | |
| 2 | 1 | 1 | | 1134-6214-01 | Fäste fram- vä, gul | Bracket fr- LH, yellow | | | |
| 2 | | | 1 | 1134-6214-03 | Fäste fram- vä, svart | Bracket fr- LH, black | | | |
| 3 | 1 | 1 | | 1134-6214-02 | Fäste fram- hö, gul | Bracket fr- RH, yellow | | | |
| 3 | | | 1 | 1134-6214-04 | Fäste fram- hö, svart | Bracket fr- RH, black | | | |
| 4 | 4 | 4 | 4 | 9959-0816-16 | Skruv | Screw | | | |
| 5 | 4 | 4 | 4 | 9739-0831-22 | Mutter | Nut | | | |
| 6 | 2 | 2 | | 1134-6278-01 | Avbärare- grå | Guide- grey | | | |
| 6 | | | 2 | 1134-6278-02 | Avbärare- svart | Guide- black | | | |
| 7 | 2 | 2 | 2 | 1134-4284-01 | Hjul | Wheel | | | |
| 8 | 4 | 4 | 4 | 1134-4319-01 | Lager | Bearing | | | |
| 9 | 2 | 2 | 2 | 1134-4318-01 | Hylsa | Wheel axle | | | |
| 10 | 2 | 2 | 2 | 9897-0813-02 | Skruv | Screw | | | |
| 11 | 2 | 2 | 2 | 9747-0831-02 | Mutter | Lock nut | | | |
| 12 | 1 | 1 | | 1134-6197-01 | Bakaxel- gul | Rear axle- yellow | | | |
| 12 | | | 1 | 1134-6197-02 | Bakaxel- svart | Rear axle- black | | | |
| 13 | 1 | 1 | 1 | 1134-6282-01 | Rulle- vä, m- fäste | Roller- LH, w/bracket | | Inkl. pos 15 - 18 | |
| 14 | 1 | 1 | 1 | 1134-6282-02 | Rulle- hö, m- fäste | Roller- RH, w/bracket | | Inkl. pos 15 - 18 | |
| 15 | 1 | 1 | 1 | 9897-0813-02 | • Skruv | • Screw | | | |
| 16 | 1 | 1 | 1 | 9739-0831-22 | • Mutter | • Nut | | | |
| 17 | 1 | 1 | 1 | 1134-4318-01 | • Hylsa | • Wheel axle | | | |
| 18 | 1 | 1 | 1 | 1134-9126-01 | • Rulle | • Roller | | Sats 2 st/kit of 2 | |
| 19 | 4 | 4 | 4 | 9959-0816-16 | Skruv | Screw | | | |
| 20 | 4 | 4 | 4 | 9739-0831-22 | Mutter | Nut | | | |
| 21 | 2 | 2 | 2 | 1134-6198-01 | Pinne | Stud | | | |
| 22 | 2 | 2 | 2 | 9699-0104-02 | Bricka | Washer | | | |
| 23 | 2 | 2 | 2 | 9598-2001-02 | Låsnål | Spring pin | | | |
| 24 | 2 | 2 | 2 | 9646-0098-22 | Nit | Rivet | | | |
| 25 | 2 | 2 | 2 | 9675-0012-02 | Starlock | Locking washer | | | |
| 26A | 1 | | 1 | 1134-6249-02 | Tryckstång- vä | Push rod- LH | | | |
| 26B | | 1 | | 1134-6250-02 | Tryckstång- vä | Push rod- LH | | | |
| 27 | 1 | 1 | 1 | 1134-6246-02 | Tryckstång- hö | Push rod- RH | | | |
| 28 | 4 | 4 | 4 | 9675-0015-02 | Starlock | Lock washer | | | |
| X 29 | 1 | | 1 | 1137-0259-01 | Höjdinst.segment | Height adj. quadrant | | | |
| 30 | 2 | | 2 | 9959-0816-16 | Skruv | Screw | | | |
| 31 | 2 | | 2 | 9739-0831-22 | Mutter | Nut | | | |
| 32 | 1 | | | 1134-6244-01 | Höjdinst.spak- grå | Height adj.lever- grey | | | |
| 32 | | | 1 | 1134-6244-02 | Höjdinst.spak- svart | Height adj.lever- bl. | | | |
| 33 | 1 | | 1 | 1134-6254-01 | Spärr | Catch | | | |
| 34 | 1 | | 1 | 1134-5444-01 | Tryckstång | Push rod | | | |
| 35 | 1 | | 1 | 1134-5445-01 | Fjäder | Spring | | | |
| 36 | 1 | | 1 | 1134-5503-01 | Handtag | Handle | | | |
| 37 | 1 | | 1 | 9699-0087-02 | Planbricka | Flat washer | | | |
| 38 | 1 | | 1 | 1134-3051-01 | Spärrknapp | Locking knob | | | |
| 39 | 1 | | 1 | 1134-6286-03 | Distans | Spacer | | | |
| 40 | 1 | | 1 | 1134-1565-16 | Distans | Spacer | | | |
| 41 | 2 | | 2 | 9646-0105-22 | Nit | Rivet | | | |
| 42 | 2 | | 2 | 9672-0006-02 | Starlock | Lock washer | | | |
| 43 | 1 | | 1 | 9997-0850-16 | Skruv | Screw | | | |
| 44 | 1 | | 1 | 9747-0831-02 | Mutter | Lock nut | | | |
| 45 | 2 | 2 | 2 | 9699-0028-02 | Planbricka | Flat washer | | | |
| 50 | | 1 | | 1134-6417-01 | Ställdon | Actuator | | | |
| 50A | | 1 | | 1134-6373-01 | • Kolvstångsända | • Rod end | | | |
| 50B | | 1 | | 1134-6418-02 | • Kabel | • Cable | | L = 490 mm | |
| 50C | | 1 | | 1134-6182-01 | • • Hankontakt | • • Male terminal | | | |
| 51 | | 1 | | 1134-6192-01 | Fäste | Bracket | | | |
| 52 | | 2 | | 9959-0816-16 | Skruv | Screw | | | |
| 53 | | 2 | | 9739-0831-22 | Mutter | Nut | | | |
| 54 | | 2 | | 9646-0098-22 | Nit | Rivet | | | |
| 55 | | 2 | | 9675-0012-02 | Starlock | Locking washer | | | |



| Utgåva Issue 2011-11 | | Bildnr Picture No 2134B | | PARK KLIPPAGGREGAT 95 COMBI TRANSMISSION | | PARK MOWER DECK 95 COMBI TRANSMISSION | | Sida Page 196 | |
|----------------------------|----------------------------|-------------------------------|--|---|-------------------------|--|-------------|-----------------------|--|
| Pos. Fig. | Antal/Quantity | | | Art nr Part No | Benämning | Description | Sats Kit | Anmärkning Notes | |
| | 2964 -34 2967 -34 | 2964 -54 | | | | | | | |
| 1 | 2 | 2 | | 1134-5831-01 | Lagerbox kpl..... | Bearing box assy..... | | | |
| 5 | 8 | 8 | | 9945-0825-16 | Skruv..... | Screw..... | | | |
| 6 | 1 | 1 | | 1134-9117-01 | Knivbalk kpl..... | Blade bar assy..... | | Sats 2 st/kit of 2 | |
| 7 | 1 | 1 | | 1134-9119-01 | • Knivsats kpl..... | • Blade kit..... | | 2 knivar/2 blade tips | |
| 8 | 1 | 1 | | 1134-9054-01 | •• Brytbultsats..... | •• Shear bolt kit..... | | | |
| 9 | 2 | 2 | | 1134-6311-01 | •• Bult..... | •• Bolt..... | | 7/16" UNF | |
| 10 | 2 | 2 | | 1134-6312-01 | •• Låsmutter..... | •• Lock nut..... | | 7/16" UNF | |
| 11 | 2 | 2 | | 1134-6211-01 | Knivbricka..... | Blade washer..... | | | |
| 12 | 2 | 2 | | 9997-1060-12 | Skruv..... | Screw..... | | | |
| 20 | 1 | | | 1134-6280-01 | Transm.kåpa- grå..... | Transm.cover- grey..... | | | |
| 20 | | 1 | | 1134-6280-03 | Transm.kåpa- grå..... | Transm.cover- grey..... | | | |
| 21 | 2 | 2 | | 1134-0240-01 | Ansatsskruv..... | Shoulder screw..... | | | |
| 22 | 2 | 2 | | 9739-0831-22 | Mutter..... | Nut..... | | | |
| 24 | 2 | 2 | | 9945-0825-16 | Skruv..... | Screw..... | | | |
| 25 | 2 | 2 | | 1134-5595-01 | Nitmutter..... | Riveting nut..... | | | |
| 27 | 1 | 1 | | 1134-6431-01 | Remstyrning..... | Belt guide..... | | | |
| 29 | 1 | 1 | | 1134-9127-01 | Kuggremskiva m.nav..... | Belt pulley w/hub..... | | Sats 2 st/kit of 2 | |
| 30 | 1 | 1 | | 1137-0116-01 | Remskiva kpl..... | Belt pulley assy..... | | Inkl. pos 31 - 42 | |
| 31 | 1 | 1 | | 9997-1070-12 | • Skruv..... | • Screw..... | | | |
| 32 | 1 | 1 | | 1134-6209-01 | • Fästplåt..... | • Bracket..... | | | |
| 33 | 1 | 1 | | 1134-6205-02 | • Tapp..... | • Shaft..... | | | |
| 34 | 4 | 4 | | 9747-0631-02 | • Låsmutter..... | • Lock nut..... | | | |
| 35 | 1 | 1 | | 1134-9128-02 | • Kuggremskiva..... | • Belt pulley..... | | | |
| 36 | 4 | 4 | | 9699-0060-02 | • Planbricka..... | • Flat washer..... | | | |
| 37 | 1 | 1 | | 1134-3725-06 | • Distans..... | • Spacer..... | | H = 1.5 mm | |
| 38 | 3 | 3 | | 9549-0019-00 | • Kullager..... | • Ball bearing..... | | | |
| 39 | 1 | 1 | | 1137-0013-01 | • Remskiva..... | • Belt pulley..... | | Ø = 154 mm | |
| 40 | 4 | 4 | | 9997-0650-12 | • Skruv..... | • Screw..... | | | |
| 41 | 1 | 1 | | 9699-0030-02 | • Planbricka..... | • Flat washer..... | | | |
| 42 | 1 | 1 | | 9731-1031-22 | • Mutter..... | • Nut..... | | | |
| 43 | 2 | 2 | | 9997-1060-12 | Skruv..... | Screw..... | | | |
| 44 | 2 | 2 | | 1134-5406-01 | Bricka..... | Washer..... | | | |
| 45 | 2 | 2 | | 9585-0164-01 | Kuggrem..... | Toothed belt..... | | | |
| 46 | 2 | 2 | | 1134-5400-04 | Distans..... | Spacer..... | | | |
| 47 | 4 | 4 | | 9959-0820-16 | Skruv..... | Screw..... | | | |
| 48 | 4 | 4 | | 9739-0831-22 | Mutter..... | Nut..... | | | |
| 50 | 1 | 1 | | 1134-9147-01 | Drivrem (4WD)..... | V- belt (4WD)..... | | = 9585-0197-01 | |
| 50 | 1 | | | 1134-9148-01 | Drivrem (2WD)..... | V- belt (2WD)..... | | = 9585-0198-01 | |

X