

# Genuine Spare Parts

www.stiga.com

## PARK Mower Deck 125 Combi Model Year 2011/2012

includes:

13-2938-43 Mower deck 125 Combi Pro

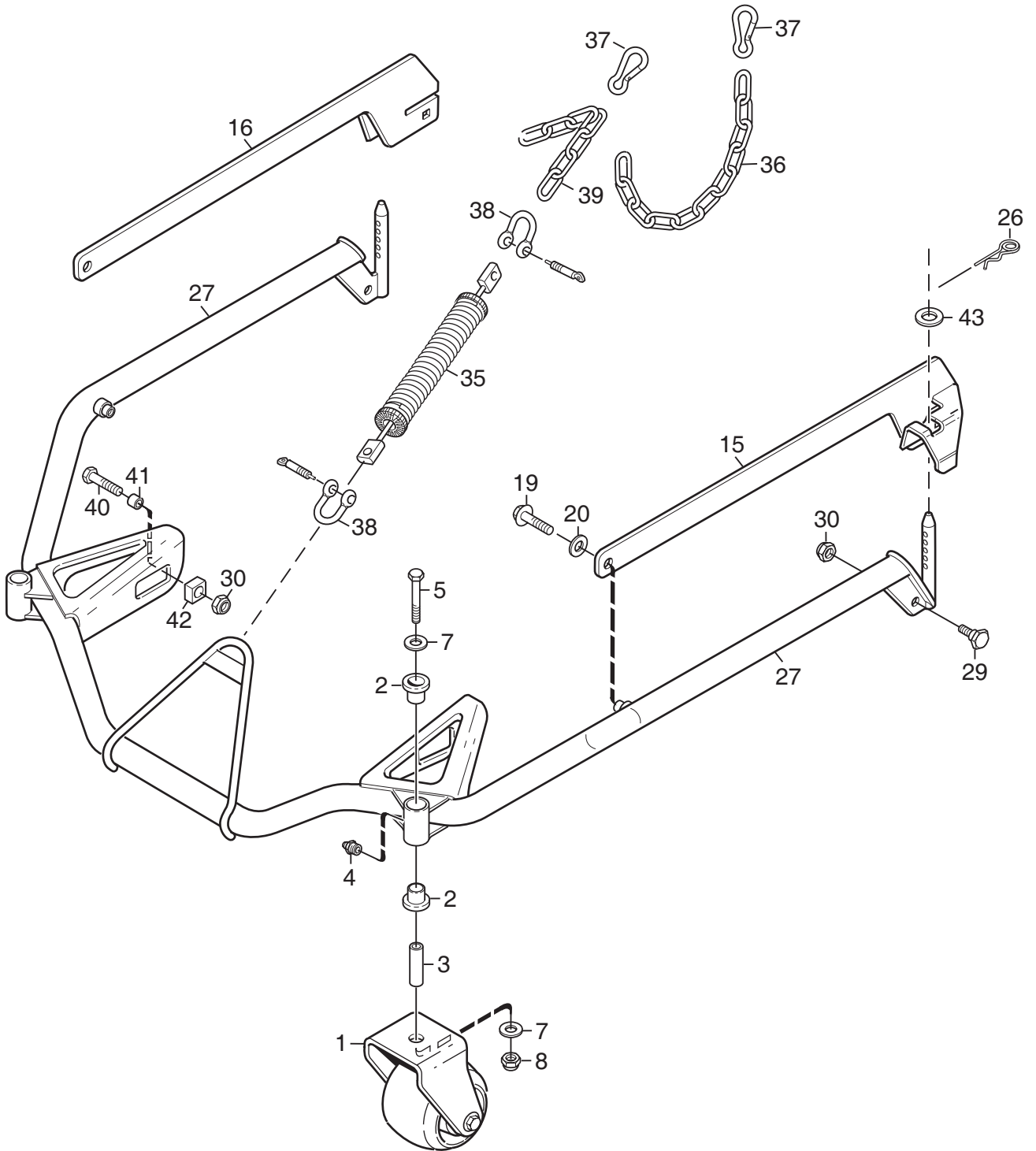
13-2941-43 Mower deck 125 Combi Pro

- Use GLOBAL GARDEN PRODUCT Genuine Spare Parts specified in the parts list for repair and/or replacement.
- The contents described in the parts list may change due to improvement.
- The drawings of the spare parts are only indicative and might not represent the part in question exactly.
- The indications "right" - "left" - "front" - "rear" refer to the position of the operator when using the machine.
- When placing orders of parts for repair and/or replacement, make sure that the illustrated parts list is the one applying to the machine's year of manufacture, as shown on the identification plate attached to the machine.

COPYRIGHT by GLOBAL GARDEN PRODUCTS

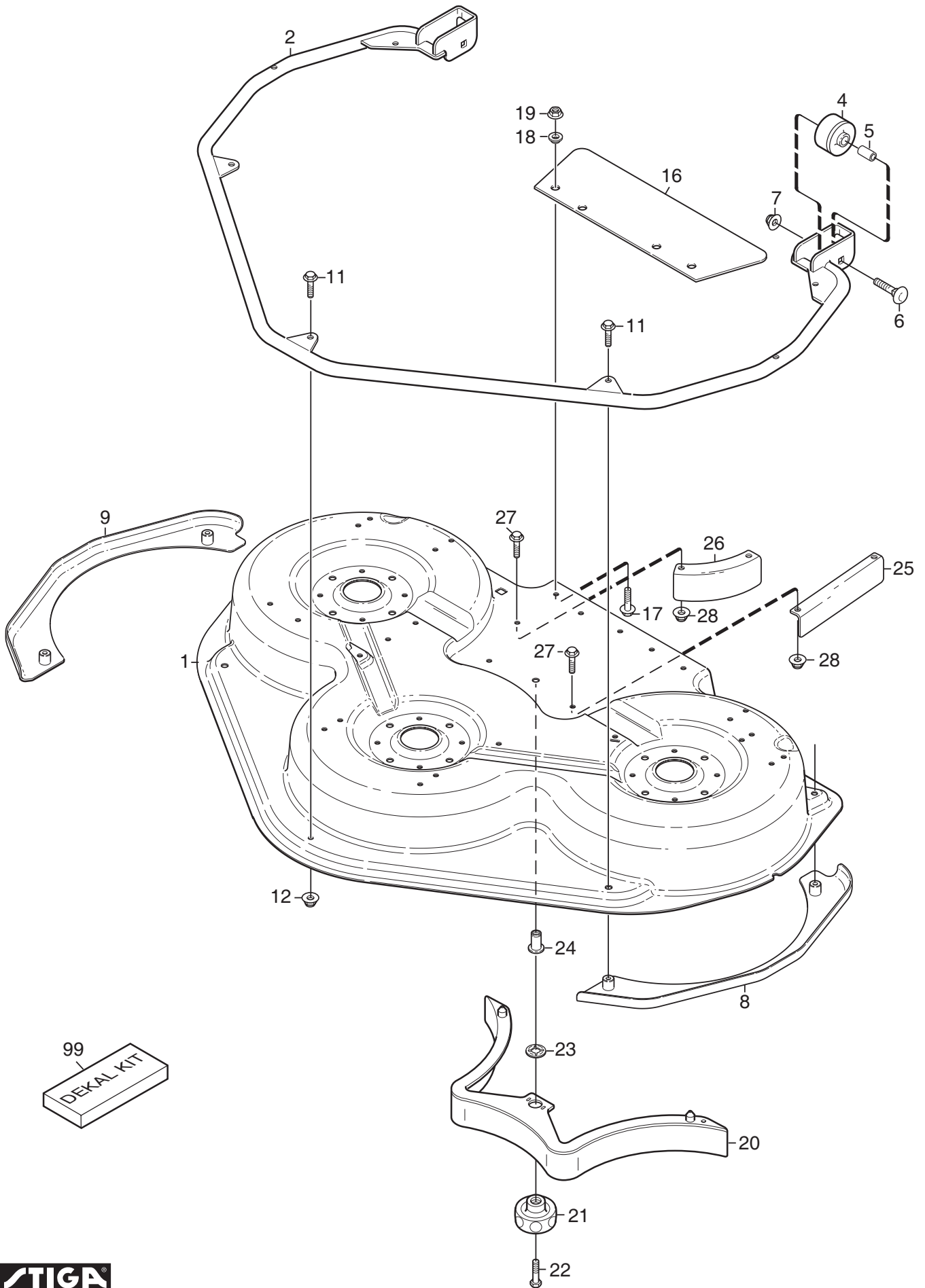
All rights reserved. No part of this material may be reproduced or transmitted, in any form or by any means, electronic or mechanical, including photocopying, recording or by any information storage and retrieval system, without permission in writing from GLOBAL GARDEN PRODUCTS.



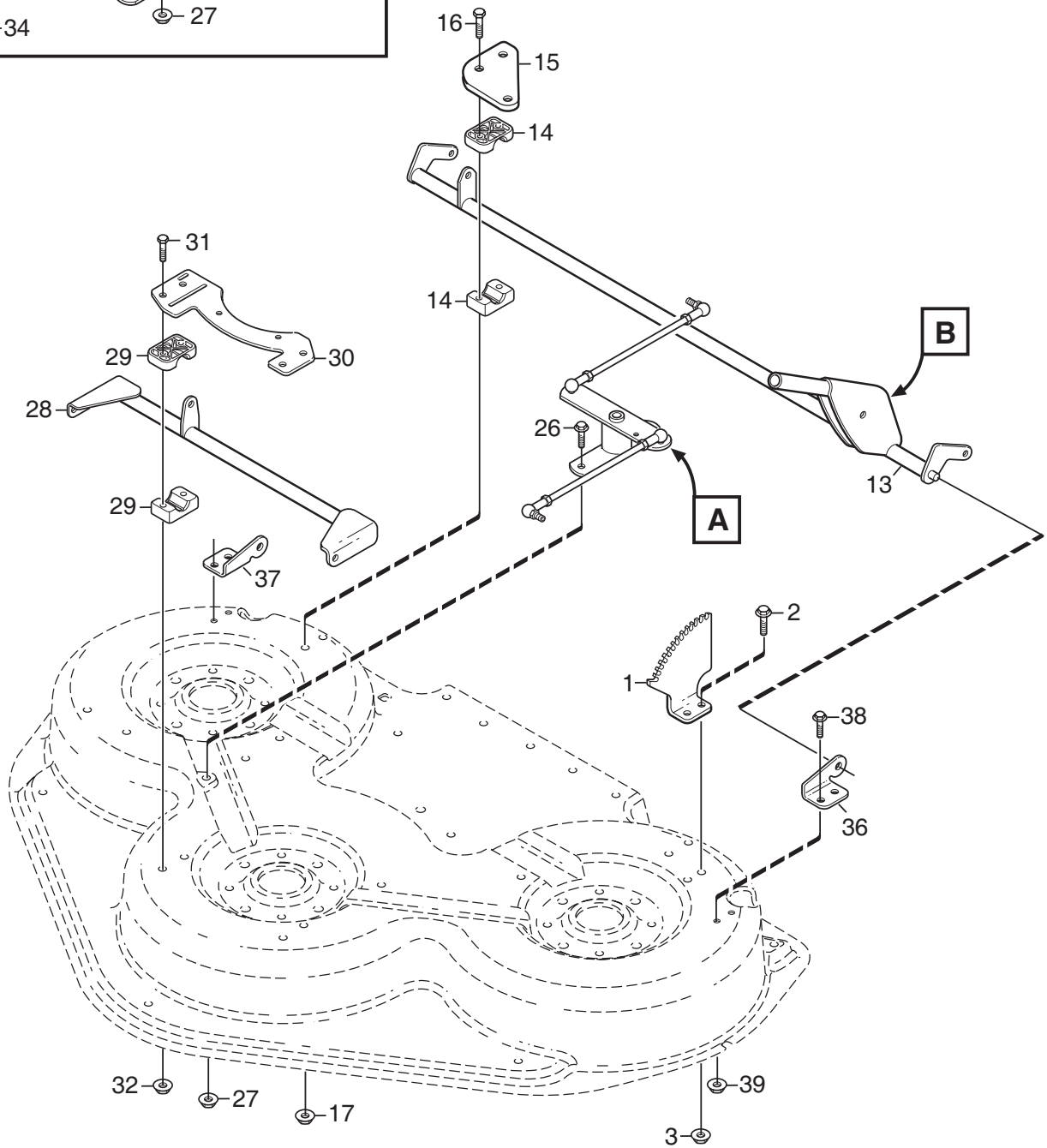
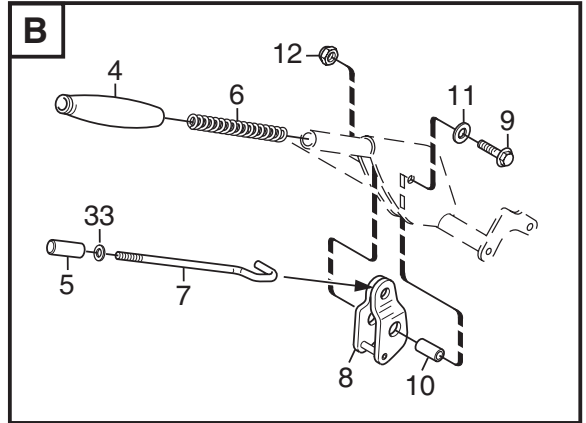
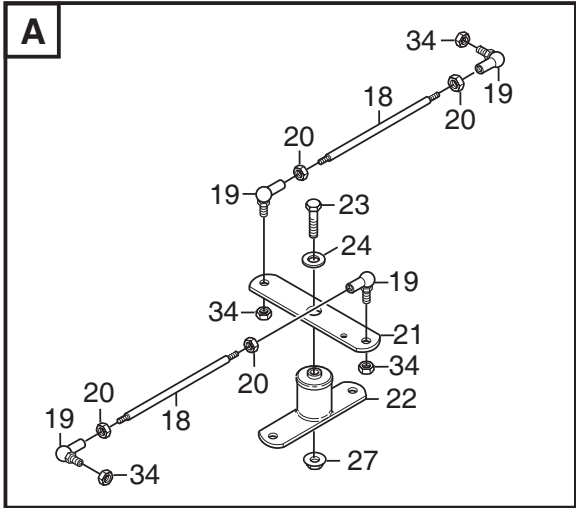


Utgåva Issue 2011-11		Bildnr Picture No 1829C		PARK KLIPPAGGREGAT 125 COMBI PRO RAM		PARK MOWER DECK 125 COMBI PRO FRAME		Sida Page 224	
Pos. Fig.	Antal/Quantity				Art nr Part No	Benämning	Description	Sats Kit	Anmärkning Notes
	2938 2941 -43								
1	2				1134-5884-01	Pivothjul .....	Pivot wheel .....		
2	1				1134-9026-01	Lagerbussning .....	Bearing bush kit .....		Sats 4 st/kit of 4
3	2				1134-5677-01	Distans .....	Spacer .....		
4	2				9501-0500-00	Smörjnippel .....	Grease joint .....		
5	2				9997-1090-12	Skruv .....	Screw .....		
7	4				9699-0030-02	Planbricka .....	Flat washer .....		
8	2				9747-1031-02	Låsmutter .....	Lock nut .....		
15	1				1134-6141-01	Aggregatsarm- vä .....	Mower deck arm- LH .....		
16	1				1134-6141-02	Aggregatsarm- hö .....	Mower deck arm- RH .....		
19	2				9959-0816-16	Skruv .....	Screw .....		
20	2				9699-0056-02	Planbricka .....	Flat washer .....		
26	2				9598-2001-02	Låsnål .....	Spring pin .....		
27	1				1134-5843-01	Ram .....	Frame .....		
29	2				1134-0240-01	Ansatsskruv .....	Shoulder screw .....		
30	4				9747-0831-02	Mutter .....	Lock nut .....		
35	1				1134-6365-02	Lyftfjäder .....	Lift spring .....		
36	1				1134-6368-03	Kedja .....	Chain .....		12 links
37	2				1134-5528-01	Karbinhake .....	Snap hook .....		
38	2				1134-2629-01	Lyftlänk .....	Lift link .....		7 links
39	1				1134-6368-02	Kedja .....	Chain .....		
40	2				9997-0825-16	Skruv .....	Screw .....		
41	2				1134-5626-01	Distans .....	Spacer .....		
42	2				1134-7595-01	Distans .....	Spacer .....		
43	2				9699-0123-02	Bricka .....	Washer .....		17x40x6
99	1				8211-7001-10	Bruksanvisning .....	Owner's manual .....		Ej ill/not ill.

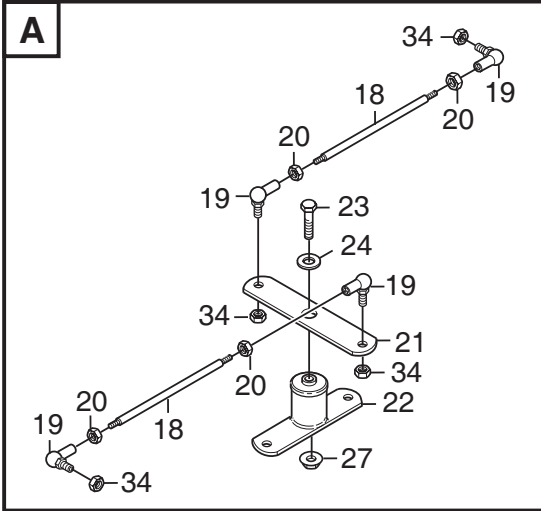
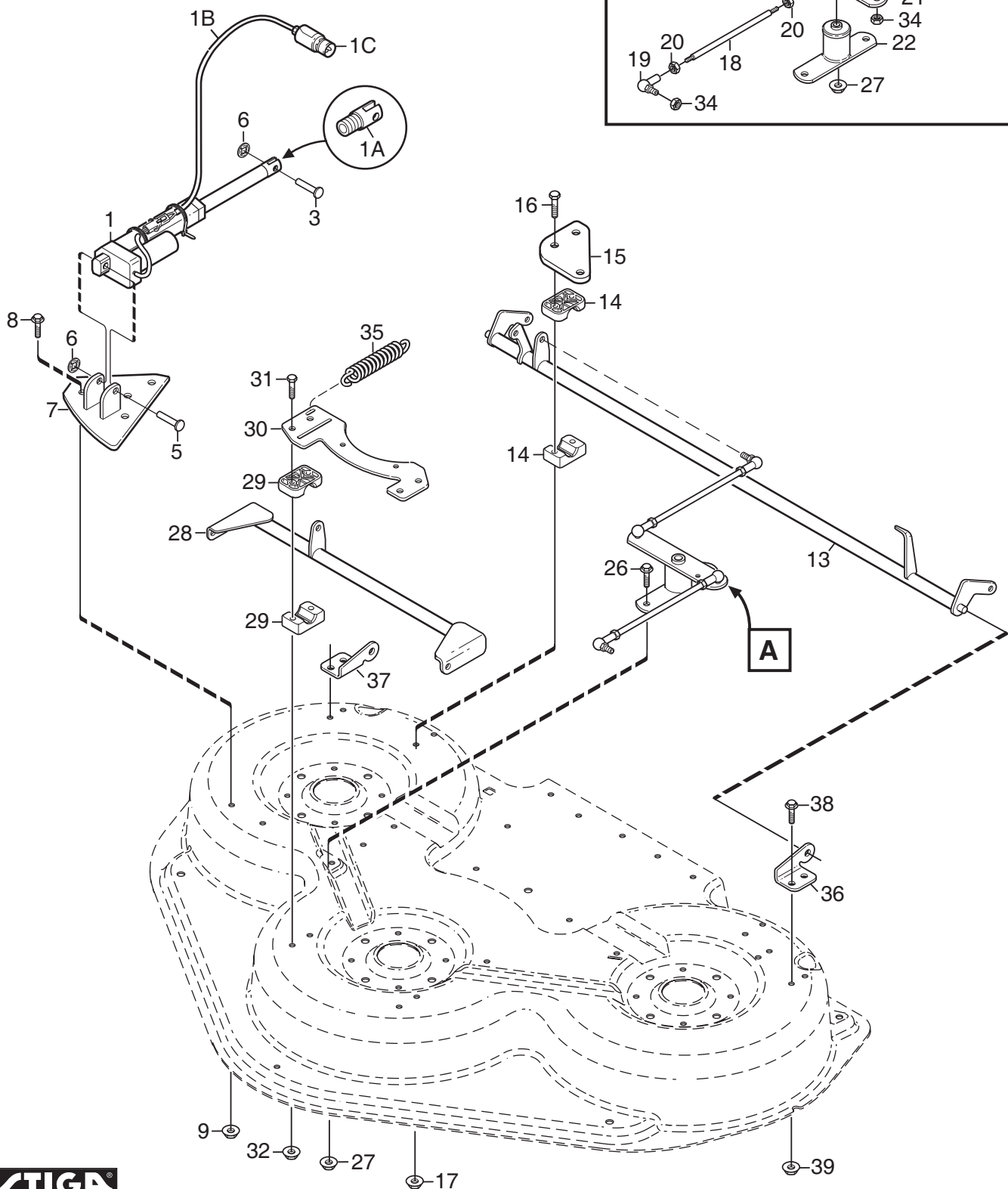
X



Utgåva Issue 2011-11		Bildnr Picture No 1830B		PARK KLIPPAGGREGAT 125 COMBI PRO KÅPA		PARK MOWER DECK 125 COMBI PRO CASING		Sida Page 226	
Pos. Fig.	Antal/Quantity				Art nr Part No	Benämning	Description	Sats Kit	Anmärkning Notes
	2938 2941 -43								
1	1				1134-7750-01 Kåpa .....	Casing .....			Inkl. pos 24
2	1				1134-6110-03 Ram-grå.....	Frame- grey .....			
4	2				1134-3434-01 Rulle .....	Roller .....			
5	2				1134-0041-04 Hylsa .....	Bushing .....			
6	2				9897-1060-12 Skruv .....	Screw .....			
7	2				9739-1031-22 Mutter.....	Nut .....			
8	1				1134-7520-01 Slitskydd- vä .....	Wear protection- LH .....			
9	1				1134-7520-02 Slitskydd- hö.....	Wear protection- RH.....			
11	5				9959-0816-16 Skruv .....	Screw .....			
12	1				9739-0831-22 Mutter.....	Nut .....			
16	1				1134-5885-01 Gummiskydd .....	Rubber flap .....			
17	2				9959-0816-16 Skruv .....	Screw .....			
18	4				1134-4185-01 Ansatsbricka .....	Flange washer .....			
19	2				9739-0831-22 Mutter.....	Nut .....			
20	1				1134-5409-02 Mulcherplugg (svart).....	Mulch plug (black) .....			
21	1				1117-3194-01 Lås ratt .....	Locking knob .....			
22	1				9997-0840-16 Skruv .....	Screw .....			
23	1				9675-0012-02 Starlock .....	Locking washer .....			
24	2				1134-5595-01 • Nitmutter .....	• Riveting nut .....			
25	1				1134-5553-02 Ledskena- rak (svart).....	Guide plate- straight .....			
26	1				1134-5554-02 Ledskena- böjd (svart).....	Guide plate- curved .....			
27	4				9959-0816-16 Skruv .....	Screw .....			
28	4				9739-0831-22 Mutter.....	Nut .....			
99	1				1134-5594-02 Dekalsats .....	Label kit .....			

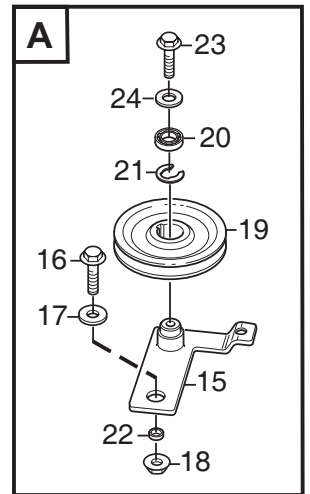
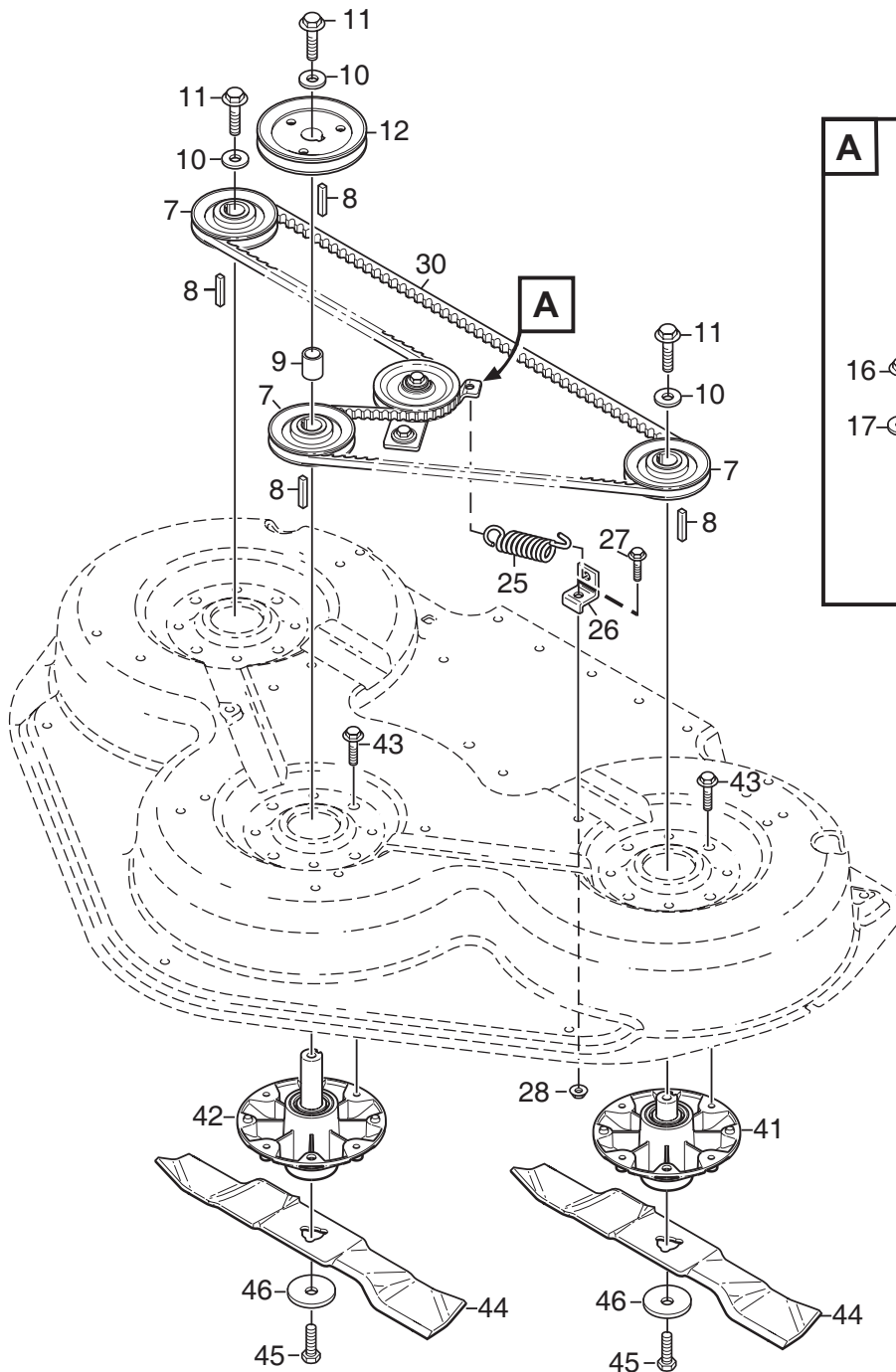
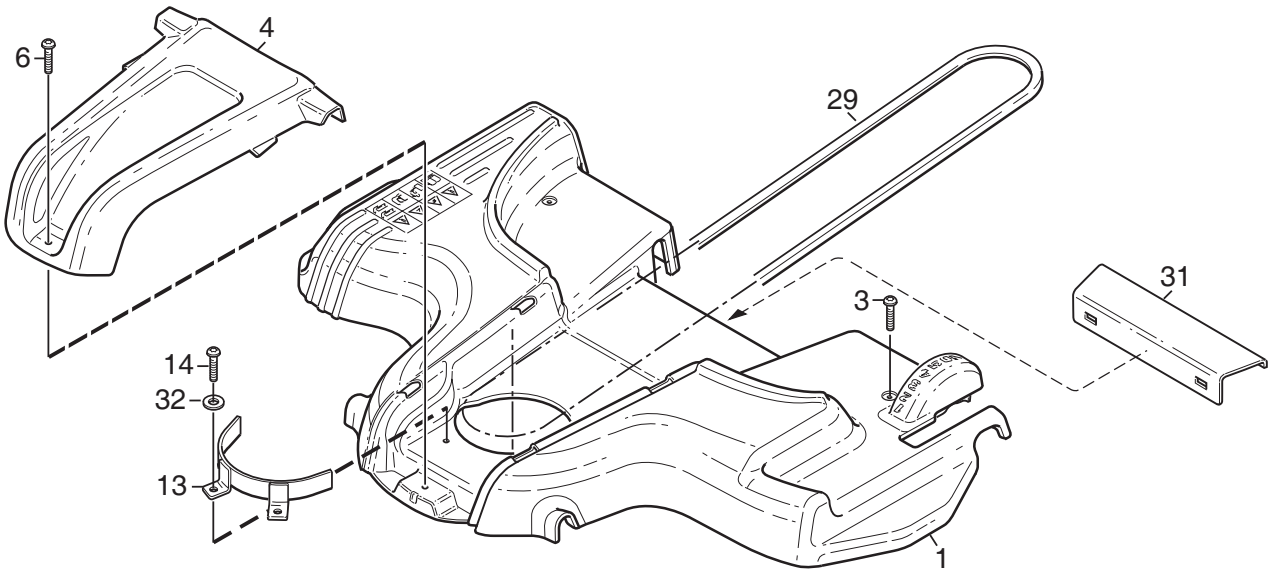


Utgåva Issue 2011- 11		Bildnr Picture No 1675C		PARK KLIPPAGGREGAT 125 COMBI PRO REGLAGE		PARK MOWER DECK 125 COMBI PRO CONTROLS		Sida Page 228	
Pos. Fig.	Antal/Quantity				Art nr Part No	Benämning	Description	Sats Kit	Anmärkning Notes
	2938 -43								
1	1				1134-5447-01	Höjdinst.segment .....	Height adj. quadrant.....		
2	2				9959-0816-16	Skruv .....	Screw .....		
3	2				9739-0831-22	Mutter.....	Nut .....		
4	1				1134-5503-01	Handtag .....	Handle.....		
5	1				1134-3051-01	Spärrknapp.....	Locking knob .....		
6	1				1134-5445-01	Fjäder.....	Spring .....		
7	1				1134-5444-01	Tryckstång .....	Push rod .....		
8	1				1134-5440-01	Spärr .....	Catch .....		
9	1				9997-0840-16	Skruv .....	Screw .....		
10	1				1134-1565-13	Distans .....	Spacer .....		
11	1				9699-0028-02	Planbricka.....	Flat washer.....		
12	1				9747-0831-02	Mutter.....	Lock nut .....		
13	1				1134-7602-01	Bakaxel .....	Rear axle .....		
14	4				1134-5469-01	Lagerhalva .....	Bearing half .....		
15	2				1134-5471-01	Överfall- bakre .....	Bearing plate- rear .....		
16	4				9997-0845-12	Skruv .....	Screw .....		
17	4				9739-0831-22	Mutter.....	Nut .....		
18	2				1134-5473-01	Tryckstång .....	Push rod .....		
19	4				9570-0002-00	Vinkellänk .....	Elbow link .....		
20	4				9739-0831-22	Mutter.....	Nut .....		
21	1				1134-5855-01	Länkarm .....	Pivot arm .....		
22	1				1134-5858-01	Pivotfäste.....	Pivot shaft.....		
23	1				9997-0880-16	Skruv .....	Screw .....		
24	1				1134-5127-01	Bricka .....	Washer .....		
26	2				9959-0816-16	Skruv .....	Screw .....		
27	3				9739-0831-22	Mutter.....	Nut .....		
28	1				1134-5427-01	Framaxel .....	Front axle .....		
29	4				1134-5469-01	Lagerhalva .....	Bearing half .....		
30	1				1134-5846-01	Överfall- främre.....	Bearing plate- front .....		
31	4				9997-0845-12	Skruv .....	Screw .....		
32	4				9739-0831-22	Mutter.....	Nut .....		
33	1				9699-0087-02	Planbricka.....	Flat washer.....		
34	4				9747-0831-02	Mutter.....	Lock nut .....		
36	1				1134-7490-01	Fäste- vä .....	Bracket- LH .....		
37	1				1134-7490-02	Fäste- hö .....	Bracket- RH .....		
38	4				9959-0820-16	Skruv .....	Screw .....		
39	4				9739-0831-22	Mutter.....	Nut .....		





Utgåva Issue 2011-11		Bildnr Picture No 2402		PARK KLIPPAGGREGAT 125 COMBI PRO EL. REGLAGE		PARK MOWER DECK 125 COMBI PRO EL. CONTROL		Sida Page 230	
Pos. Fig.	Antal/Quantity				Art nr Part No	Benämning	Description	Sats Kit	Anmärkning Notes
	2941 -43								
1	1				1134-6416-01	Ställdon .....	Actuator .....		L = 835 mm
1A	1				1134-6373-01	• Kolvstångsända .....	• Rod end .....		
1B	1				1134-6418-01	• Kabel .....	• Cable .....		
1C	1				1134-6182-01	•• Hankontakt .....	•• Male terminal .....		
3	1				9646-0098-22	Nit .....	Rivet .....		
5	1				9646-0105-22	Nit .....	Rivet .....		
6	2				9675-0012-02	Starlock .....	Locking washer .....		
7	1				1134-5981-01	Fäste .....	Bracket .....		
8	2				9959-0816-16	Skruv .....	Screw .....		
9	2				9739-0831-22	Mutter .....	Nut .....		
13	1				1134-7603-01	Bakaxel .....	Rear axle .....		
14	4				1134-5469-01	Lagerhalva .....	Bearing half .....		
15	2				1134-5471-01	Överfall- bakre .....	Bearing plate- rear .....		
16	4				9997-0845-12	Skruv .....	Screw .....		
17	4				9739-0831-22	Mutter .....	Nut .....		
18	2				1134-5473-01	Tryckstång .....	Push rod .....		
19	4				9570-0002-00	Vinkellänk .....	Elbow link .....		
20	4				9739-0831-22	Mutter .....	Nut .....		
21	1				1134-5855-01	Länkmarm .....	Pivot arm .....		
22	1				1134-5858-01	Pivotfäste .....	Pivot shaft .....		
23	1				9997-0880-16	Skruv .....	Screw .....		
24	1				1134-5127-01	Bricka .....	Washer .....		
26	2				9959-0816-16	Skruv .....	Screw .....		
27	3				9739-0831-22	Mutter .....	Nut .....		
28	1				1134-5427-01	Framaxel .....	Front axle .....		
29	4				1134-5469-01	Lagerhalva .....	Bearing half .....		
30	1				1134-5846-01	Överfall- främre .....	Bearing plate- front .....		
31	4				9997-0845-12	Skruv .....	Screw .....		
32	4				9739-0831-22	Mutter .....	Nut .....		
34	4				9747-0831-02	Mutter .....	Lock nut .....		
35	1				1134-5847-01	Fjäder .....	Spring .....		
36	1				1134-7490-01	Fäste- vä .....	Bracket- LH .....		
37	1				1134-7490-02	Fäste- hö .....	Bracket- RH .....		
38	4				9959-0820-16	Skruv .....	Screw .....		
39	4				9739-0831-22	Mutter .....	Nut .....		



Utgåva Issue 2011-11		Bildnr Picture No 2195C		PARK KLIPPAGGREGAT 125 COMBI PRO TRANSMISSION		PARK MOWER DECK 125 COMBI PRO TRANSMISSION		Sida Page 232	
Pos. Fig.	Antal/Quantity			Art nr Part No	Benämning	Description	Sats Kit	Anmärkning Notes	
	2938 -43	2941 -43							
X	1	1		1137-0266-01	Transmissionskåpa .....	Transmission cover .....			
X	1		1	1137-0267-01	Transmissionskåpa .....	Transmission cover .....			
	3		2	9893-0616-16	Skruv .....	Screw .....			
X	4	1	1	1137-0269-01	Täckkåpa .....	Cover .....			
X	7	3	3	1137-0015-01	Remskiva .....	Belt pulley .....		Ø = 106 mm	
	8	4	4	9600-0171-01	Plattkil .....	Flat key .....		6 x 6 x 25 mm	
	9	1	1	1134-5400-03	Distans .....	Spacer .....		L = 20 mm	
	10	3	3	1134-5406-01	Bricka .....	Washer .....			
	11	3	3	9997-1060-12	Skruv .....	Screw .....			
X	12	1	1	1137-0017-01	Remskiva .....	Belt pulley .....		Ø = 150 mm	
	13	1	1	1134-6017-01	Remstyrning .....	Belt guide .....			
	14	2	2	9893-0616-16	Skruv .....	Screw .....			
	15	1	1	1134-0325-04	• Spännarm .....	• Tension arm .....			
	16	1	1	9959-0816-16	Skruv .....	Screw .....			
	17	1	1	9699-0109-02	Planbricka .....	Flat washer .....			
	18	1	1	9739-0831-22	Mutter .....	Nut .....			
	19	1	1	1134-7611-01	Spännrulle kpl .....	Tension roller assy .....		Inkl. 15,20-21,23-24	
X	20	1	1	9549-0061-01	• Kullager .....	• Ball bearing .....			
	21	1	1	9651-0035-04	• Låsring .....	• Lock ring .....			
	22	1	1	1134-7618-01	Distans .....	Spacer .....			
	23	1	1	9945-0816-16	• Skruv .....	• Screw .....			
	24	1	1	9699-0056-02	• Planbricka .....	• Flat washer .....			
	25	1	1	1134-0327-00	Kåpfjäder .....	Spring .....			
	26	1	1	1134-5415-01	Fjäderfäste .....	Spring attachment .....			
	27	1	1	9959-0816-16	Skruv .....	Screw .....			
	28	1	1	9739-0831-22	Mutter .....	Nut .....			
	29	1	1	1134-9103-01	Kilrem (4WD) .....	V- belt (4WD) .....		= 9585-0156-01	
	29	1	1	1134-9152-01	Kilrem (2WD) .....	V- belt (2WD) .....		= 9585-0202-01	
	30	1	1	1134-9087-01	Kilrem .....	V- belt .....		= 9585-0142-01	
	31	1	1	1134-6103-01	Slitskydd .....	Wear protection .....			
	32	1	1	9699-0060-02	Planbricka .....	Flat washer .....			
	41	2	2	1134-5831-01	Lagerbox kpl .....	Bearing box assy .....			
	42	1	1	1134-5831-02	Lagerbox kpl .....	Bearing box assy .....			
	43	12	12	9945-0825-16	Skruv .....	Screw .....			
	44	1	1	1134-9125-01	Knivsats .....	Blade kit .....		Sats 3 st/kit of 3	
	45	3	3	9997-1060-12	Skruv .....	Screw .....			
	46	3	3	1134-6211-01	Knivbricka .....	Blade washer .....			