

Genuine Spare Parts

www.stiga.com

PARK Mower Deck 105 Combi Model Year 2011/2012

includes:

13-2972-34 Mower deck 105 Combi

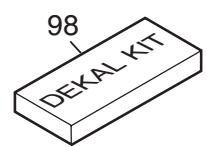
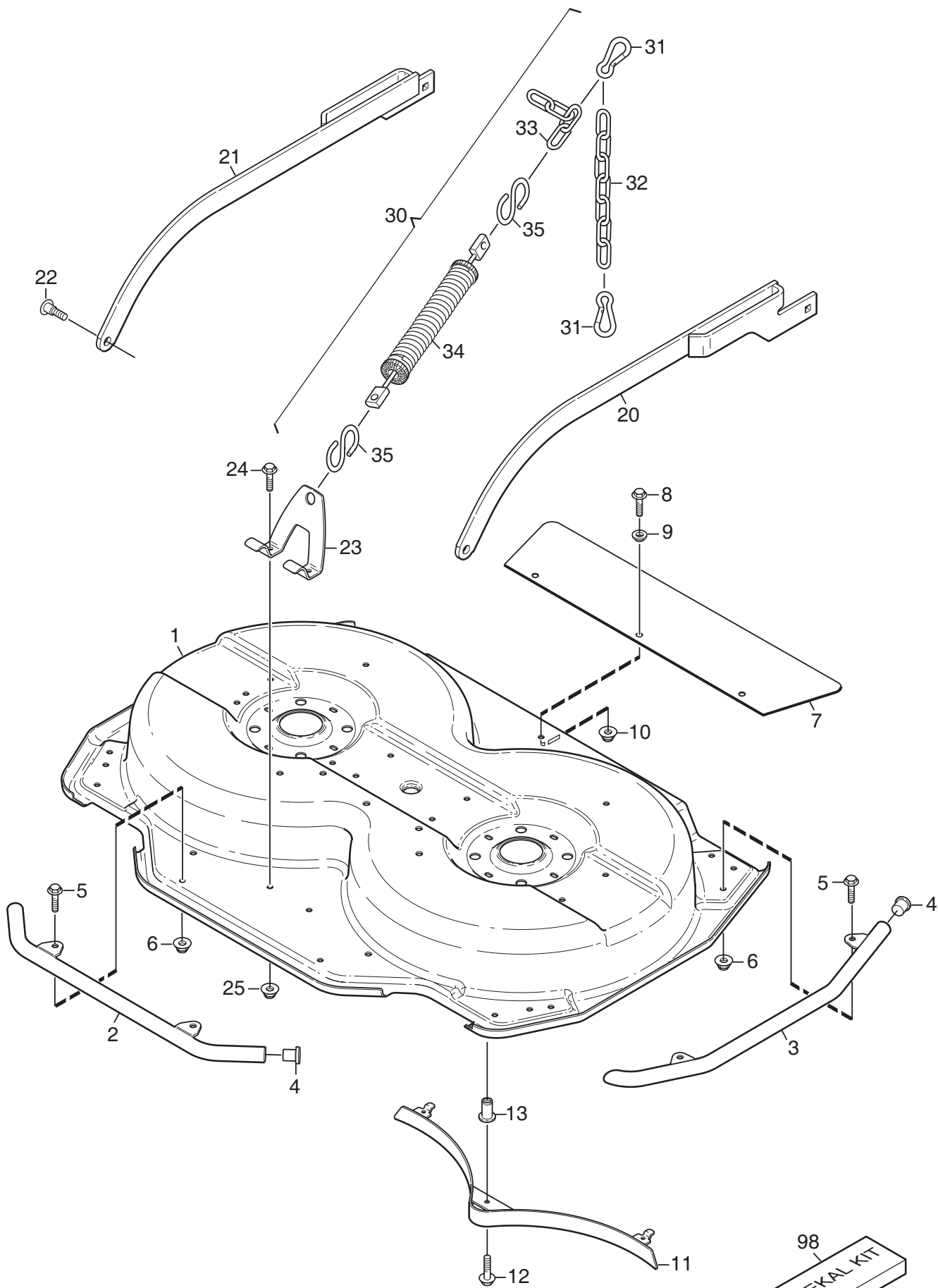
13-2974-34 Mower deck 105 Combi

- Use GLOBAL GARDEN PRODUCT Genuine Spare Parts specified in the parts list for repair and/or replacement.
- The contents described in the parts list may change due to improvement.
- The drawings of the spare parts are only indicative and might not represent the part in question exactly.
- The indications "right" - "left" - "front" - "rear" refer to the position of the operator when using the machine.
- When placing orders of parts for repair and/or replacement, make sure that the illustrated parts list is the one applying to the machine's year of manufacture, as shown on the identification plate attached to the machine.

COPYRIGHT by GLOBAL GARDEN PRODUCTS

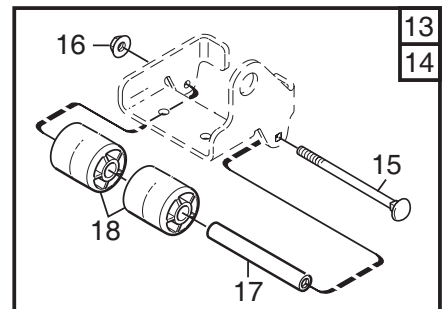
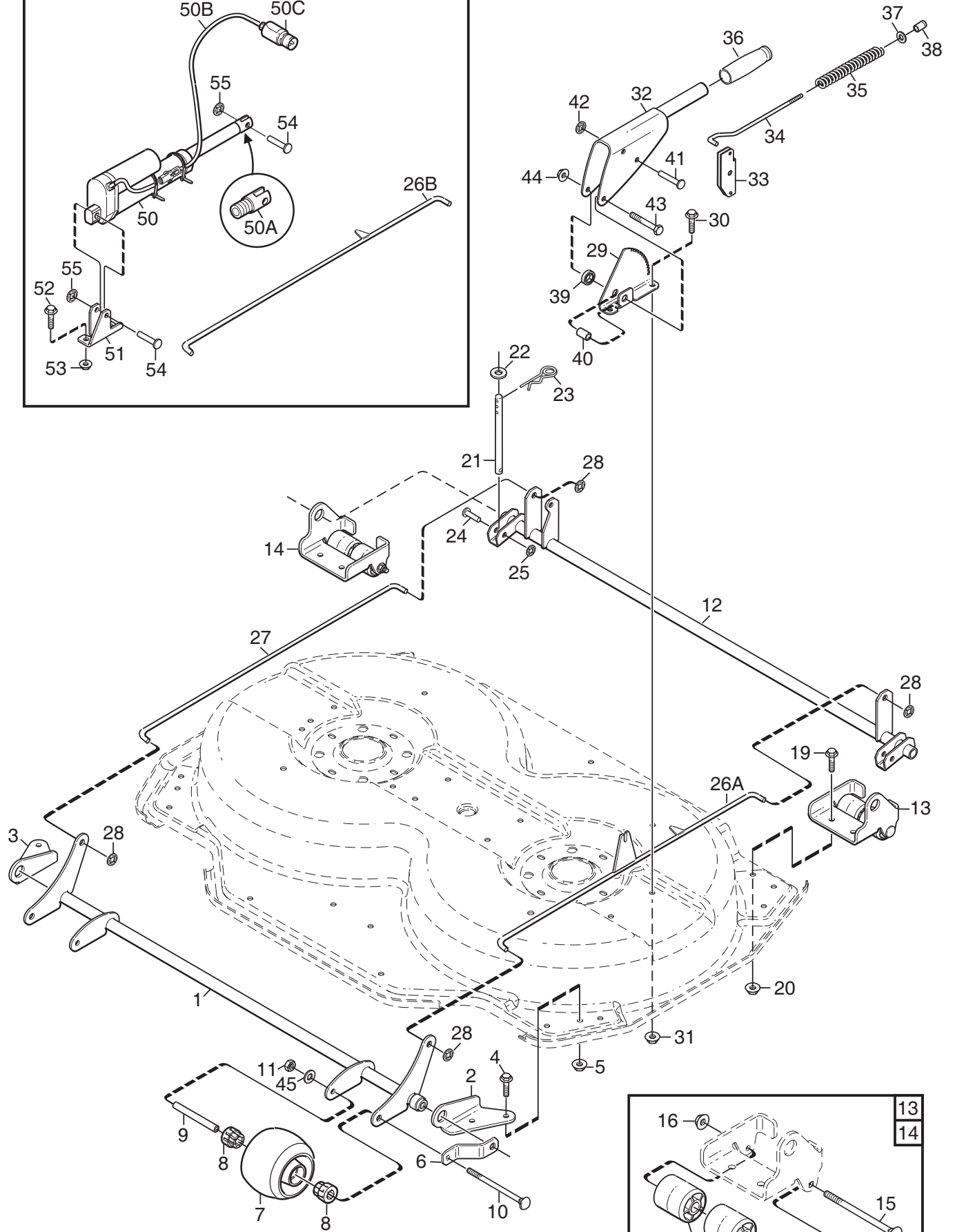
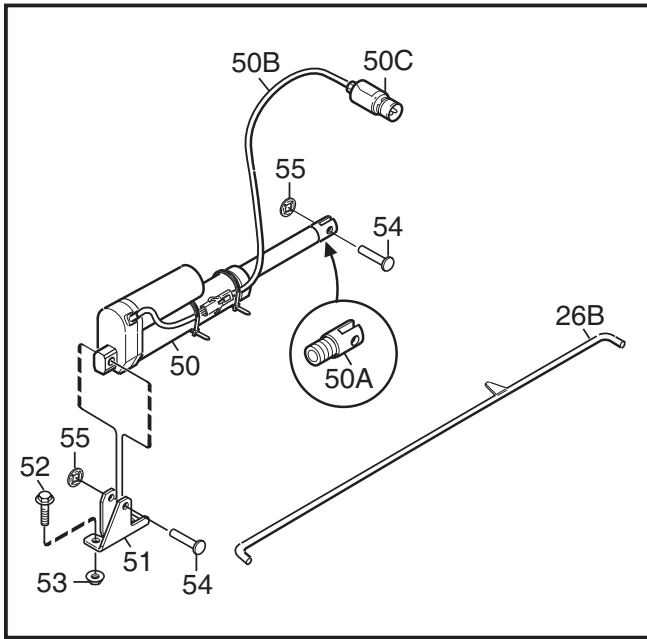
All rights reserved. No part of this material may be reproduced or transmitted, in any form or by any means, electronic or mechanical, including photocopying, recording or by any information storage and retrieval system, without permission in writing from GLOBAL GARDEN PRODUCTS.



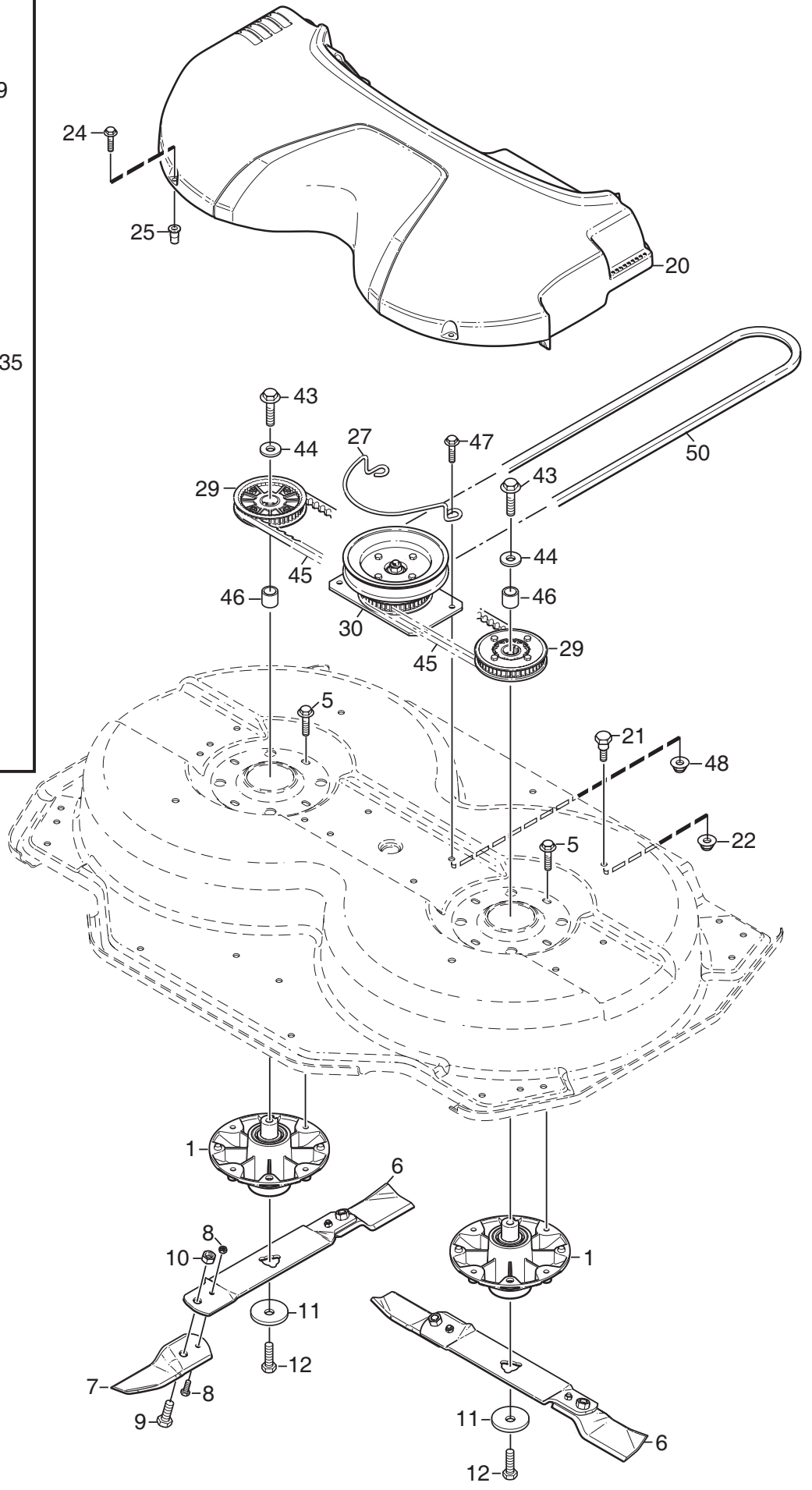
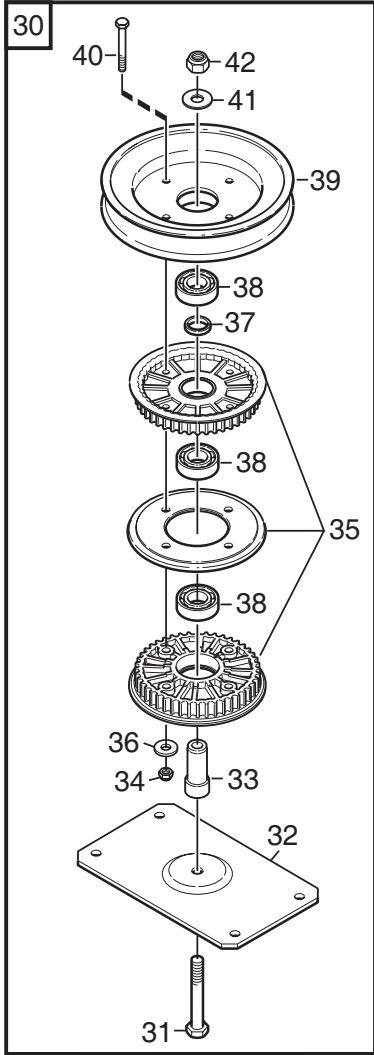


Utgåva Issue 2011- 11		Bildnr Picture No 2135A		PARK KLIPPAGGREGAT 105 COMBI RAM		PARK MOWER DECK 105 COMBI FRAME		Sida Page 198		
Pos. Fig.	Antal/Quantity				Art nr Part No	Benämning	Description	Sats Kit	Anmärkning Notes	
	2972	2974	-34							
1	1				1134-6191-01	Kåpa- gul	Casing- yellow		Inkl. pos 13 (3 st)	
2	1				1134-6208-01	Frontskydd- grå	Front guard tube- grey			
3	2				1134-6223-01	Sidoskydd- grå	Side guard tube- grey			
4	4				9403-0025-80	Ändplugg- grå	End cap- grey			
5	6				9959-0816-16	Skruv	Screw			
6	6				9739-0831-22	Mutter	Nut			
7	1				1134-6281-03	Gummiskydd	Rubber guard			
8	3				9959-0816-16	Skruv	Screw			
9	3				1134-4185-01	Ansatsbricka	Flange washer			
10	3				9739-0831-22	Mutter	Nut			
11	1				1134-6231-01	Kombiplugg	Mulching plug			
12	1				9959-0816-16	Skruv	Screw			
13	3				1134-5595-01	• Nitmutter	• Riveting nut			
20	1				1134-6237-01	Aggregatsarm- vä, grå	Deck arm- LH, grey			
21	1				1134-6237-02	Aggregatsarm- hö, grå	Deck arm- RH, grey			
22	2				1134-6279-01	Ansatsskruv	Shoulder bolt			
23	1				1134-6315-01	Lyftfäste- grå	Lift bracket- grey			
24	2				9959-0816-16	Skruv	Screw			
25	2				9739-0831-22	Mutter	Nut			
30	1				1134-6362-01	Lyftfjäder kpl	Lift spring assy			
31	2				1134-5528-01	• Karbinhake	• Snap hook			
32	1				1134-6368-02	• Kedja	• Chain			
33	1				1134-6368-01	• Kedja	• Chain			
34	1				1134-6365-03	• Lyftfjäder	• Lift spring			
35	2				1134-4623-01	• S- krok	• S- hook			
98	1				1134-5594-02	Dekalsats	Label kit			
99	1				8211-7000-10	Bruksanvisning	Owner's manual			
										Inkl. pos 31 - 35
										7 links 4 links
										Ej ill/not ill.

X



Utgåva Issue 2011-11		Bildnr Picture No 2136		PARK KLIPPAGGREGAT 105 COMBI REGLAGE		PARK MOWER DECK 105 COMBI CONTROLS		Sida Page 200	
Pos. Fig.	Antal/Quantity			Art nr Part No	Benämning	Description	Sats Kit	Anmärkning Notes	
	2972 -34	2974 -34							
1	1	1		1134-6275-01	Framaxel- gul	Front axle- yellow			
2	1	1		1134-6215-01	Fäste fram- vä, gul	Bracket fr- LH, yellow			
3	1	1		1134-6215-02	Fäste fram- hö, gul	Bracket fr- RH, yellow			
4	4	4		9959-0816-16	Skruv	Screw			
5	4	4		9739-0831-22	Mutter	Nut			
6	2	2		1134-6278-01	Avbärare- grå	Guide- grey			
7	2	2		1134-4284-01	Hjul	Wheel			
8	4	4		1134-4319-01	Lager	Bearing			
9	2	2		1134-4318-01	Hylsa	Wheel axle			
10	2	2		9897-0813-02	Skruv	Screw			
11	2	2		9747-0831-02	Mutter	Lock nut			
12	1	1		1134-6197-01	Bakaxel- gul	Rear axle- yellow			
13	1	1		1134-6282-01	Rulle- vä, m- fäste	Roller- LH, w/bracket		Inkl. pos 15 - 18	
14	1	1		1134-6282-02	Rulle- hö, m- fäste	Roller- RH, w/bracket		Inkl. pos 15 - 18	
15	1	1		9897-0813-02	• Skruv	• Screw			
16	1	1		9739-0831-22	• Mutter	• Nut			
17	1	1		1134-4318-01	• Hylsa	• Wheel axle			
18	1	1		1134-9126-01	• Rulle	• Roller		Sats 2 st/kit of 2	
19	4	4		9959-0816-16	Skruv	Screw			
20	4	4		9739-0831-22	Mutter	Nut			
21	2	2		1134-6198-01	Pinne	Stud			
22	2	2		9699-0104-02	Bricka	Washer			
23	2	2		9598-2001-02	Låsnål	Spring pin			
24	2	2		9646-0098-22	Nit	Rivet			
25	2	2		9675-0012-02	Starlock	Locking washer			
26 A	1			1134-6249-01	Tryckstång- vä	Push rod- LH			
26 B		1		1134-6250-01	Tryckstång- vä	Push rod- LH			
27	1	1		1134-6246-01	Tryckstång- hö	Push rod- RH			
28	4	4		9675-0015-02	Starlock	Lock washer			
29	1			1137-0259-01	Höjdinst.segment	Height adj. quadrant			
30	2			9959-0816-16	Skruv	Screw			
31	2			9739-0831-22	Mutter	Nut			
32	1			1134-6244-01	Höjdinst.spak- grå	Height adj.lever- grey			
33	1			1134-6254-01	Spärr	Catch			
34	1			1134-5444-01	Tryckstång	Push rod			
35	1			1134-5445-01	Fjäder	Spring			
36	1			1134-5503-01	Handtag	Handle			
37	1			9699-0087-02	Planbricka	Flat washer			
38	1			1134-3051-01	Spärrknapp	Locking knob			
39	1			1134-6286-03	Distans	Spacer			
40	1			1134-1565-16	Distans	Spacer			
41	2			9646-0105-22	Nit	Rivet			
42	2			9672-0006-02	Starlock	Lock washer			
43	1			9997-0850-16	Skruv	Screw			
44	1			9747-0831-02	Mutter	Lock nut			
45	2	2		9699-0028-02	Planbricka	Flat washer			
50		1		1134-6417-01	Ställdon	Actuator			
50 A		1		1134-6373-01	• Kolvstångsända	• Rod end			
50 B		1		1134-6418-02	• Kabel	• Cable		L = 490 mm	
50 C		1		1134-6182-01	• • Hankontakt	• • Male terminal			
51		1		1134-6192-01	Fäste	Bracket			
52		2		9959-0816-16	Skruv	Screw			
53		2		9739-0831-22	Mutter	Nut			
54		2		9646-0098-22	Nit	Rivet			
55		2		9675-0012-02	Starlock	Locking washer			



Utgåva Issue 2011- 11		Bildnr Picture No 2137B		PARK KLIPPAGGREGAT 105 COMBI TRANSMISSION		PARK MOWER DECK 105 COMBI TRANSMISSION		Sida Page 202	
Pos. Fig.	Antal/Quantity				Art nr Part No	Benämning	Description	Sats Kit	Anmärkning Notes
	2972 2974 -34								
1	2				1134-5831-01 Lagerbox kpl.....	Bearing box assy.....			
5	8				9945-0825-16 Skruv.....	Screw.....			
6	1				1134-9118-01 Knivbalk kpl.....	Blade bar assy.....			Sats 2 st/kit of 2
7	1				1134-9119-01 • Knivsats kpl.....	• Blade kit.....			2 knivar/2 blade tips
8	1				1134-9054-01 •• Brytbultsats.....	•• Shear bolt kit.....			
9	2				1134-6311-01 •• Bult.....	•• Bolt.....			7/16" UNF
10	2				1134-6312-01 •• Låsmutter.....	•• Lock nut.....			7/16" UNF
11	2				1134-6211-01 Knivbricka.....	Blade washer.....			
12	2				9997-1060-12 Skruv.....	Screw.....			
20	1				1134-6280-01 Transm.kåpa- grå.....	Transm.cover- grey.....			
21	2				1134-0240-01 Ansattsskruv.....	Shoulder screw.....			
22	2				9739-0831-22 Mutter.....	Nut.....			
24	2				9945-0825-16 Skruv.....	Screw.....			
25	2				1134-5595-01 Nitmutter.....	Riveting nut.....			
27	1				1134-6431-01 Remstyrning.....	Belt guide.....			
29	1				1134-9127-01 Kuggremskiva m.nav.....	Belt pulley w/hub.....			Sats 2 st/kit of 2
30	1				1137-0116-02 Remskiva kpl.....	Belt pulley.....			Inkl. pos 31 - 42
31	1				9997-1070-12 • Skruv.....	• Screw.....			
32	1				1134-6209-01 • Fästplåt.....	• Bracket.....			
33	1				1134-6205-02 • Tapp.....	• Shaft.....			
34	4				9747-0631-02 • Låsmutter.....	• Lock nut.....			
35	1				1134-9128-02 • Kuggremskiva.....	• Belt pulley.....			
36	4				9699-0060-02 • Planbricka.....	• Flat washer.....			
37	1				1134-3725-06 • Distans.....	• Spacer.....			H = 1.5 mm
38	3				9549-0019-00 • Kullager.....	• Ball bearing.....			
39	1				1137-0014-01 • Remskiva.....	• Belt pulley.....			Ø = 168 mm
40	4				9997-0650-12 • Skruv.....	• Screw.....			
41	1				9699-0030-02 • Planbricka.....	• Flat washer.....			
42	1				9731-1031-22 • Mutter.....	• Nut.....			
43	2				9997-1060-12 Skruv.....	Screw.....			
44	2				1134-5406-01 Bricka.....	Washer.....			
45	2				9585-0165-01 Kuggrem.....	Toothed belt.....			
46	2				1134-5400-04 Distans.....	Spacer.....			
47	4				9959-0820-16 Skruv.....	Screw.....			
48	4				9739-0831-22 Mutter.....	Nut.....			
50	1				1134-9149-01 Drivrem (4WD).....	V- belt (4WD).....			= 9585- 0199- 01
50	1				1134-9150-01 Drivrem (2WD).....	V- belt (2WD).....			= 9585- 0200- 01

X