

# Genuine Spare Parts

www.stiga.com

## PARK COMPACT 2WD Model Year 2011/12

includes:

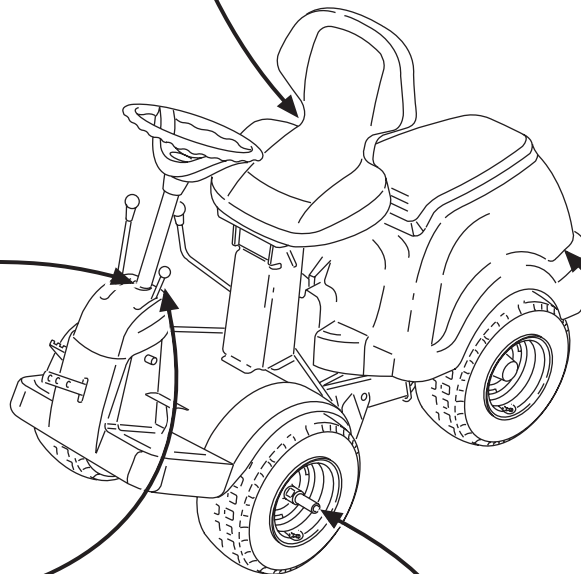
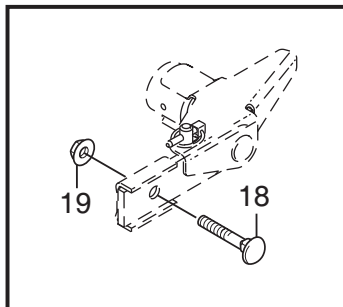
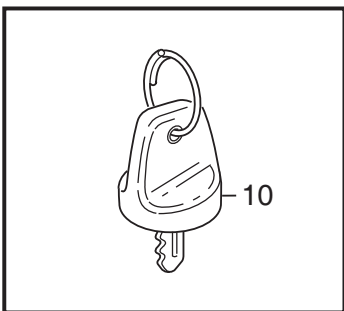
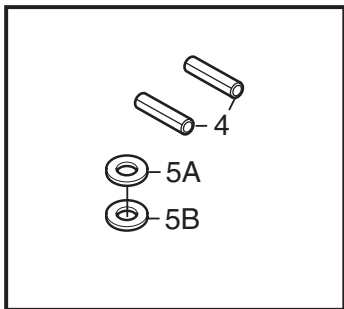
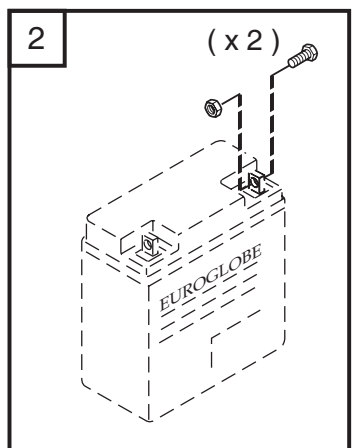
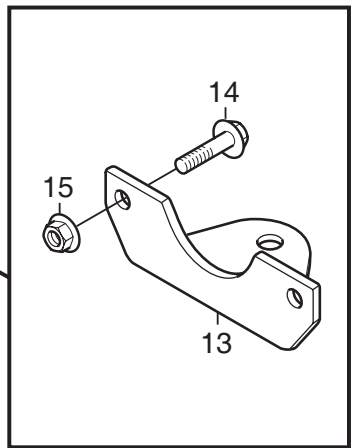
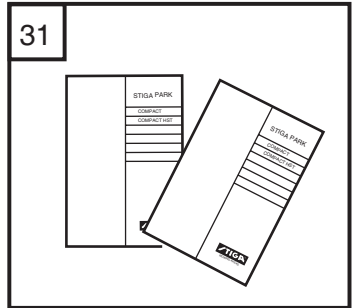
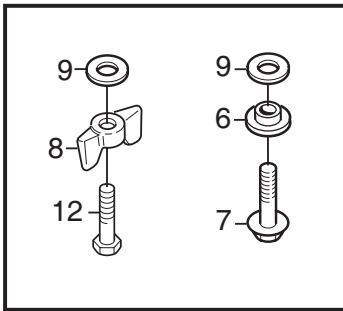
- 13-6102-21 Park Compact 14
- 13-6102-31 Park Compact 14 (FR)
- 13-6103-21 Park Compact 16
- 13-6103-31 Park Compact 16 (FR)

- Use GLOBAL GARDEN PRODUCT Genuine Spare Parts specified in the parts list for repair and/or replacement.
- The contents described in the parts list may change due to improvement.
- The drawings of the spare parts are only indicative and might not represent the part in question exactly.
- The indications "right" - "left" - "front" - "rear" refer to the position of the operator when using the machine.
- When placing orders of parts for repair and/or replacement, make sure that the illustrated parts list is the one applying to the machine's year of manufacture, as shown on the identification plate attached to the machine.

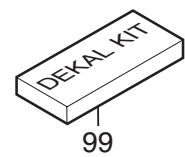
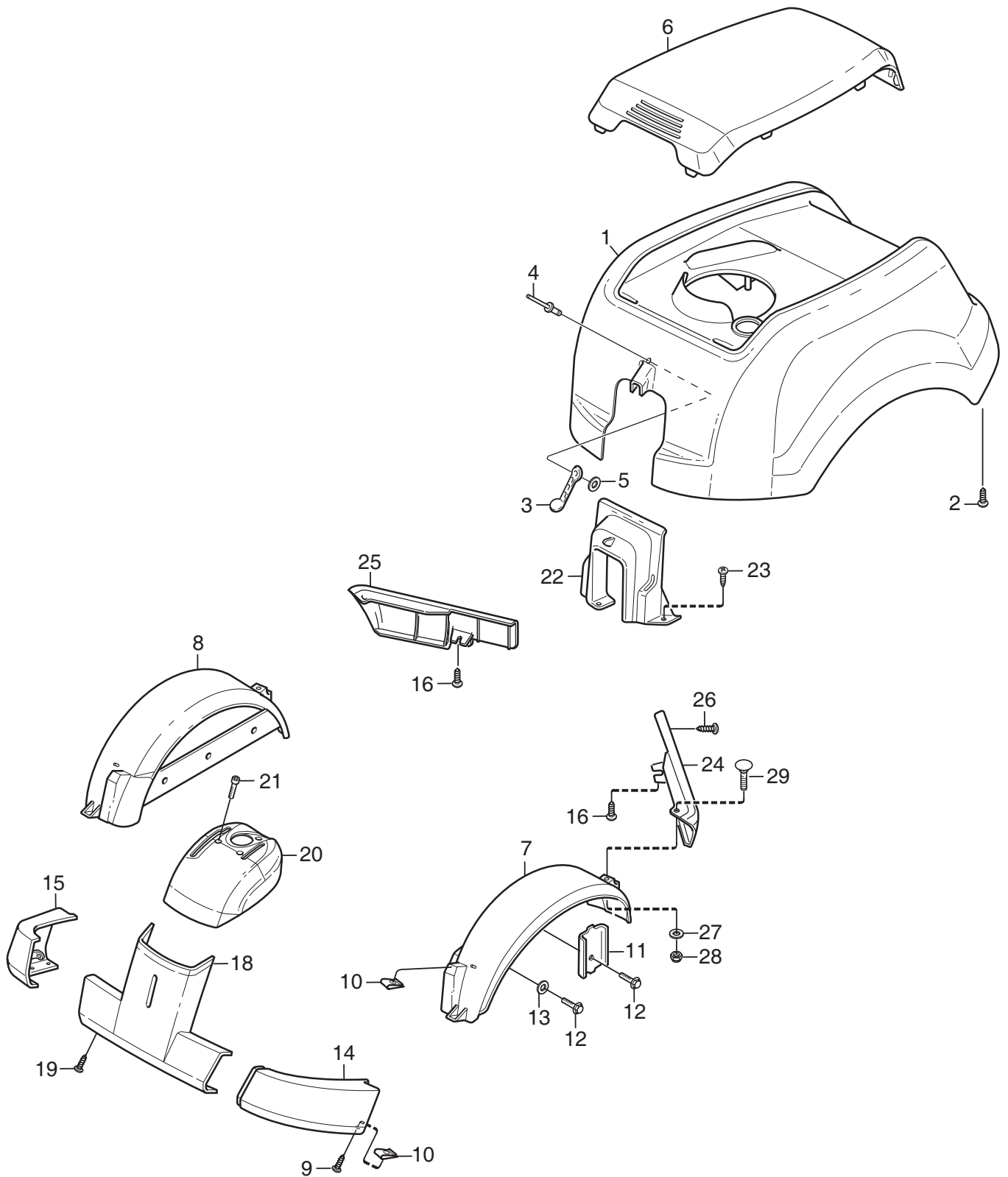
COPYRIGHT by GLOBAL GARDEN PRODUCTS

All rights reserved. No part of this material may be reproduced or transmitted, in any form or by any means, electronic or mechanical, including photocopying, recording or by any information storage and retrieval system, without permission in writing from GLOBAL GARDEN PRODUCTS.

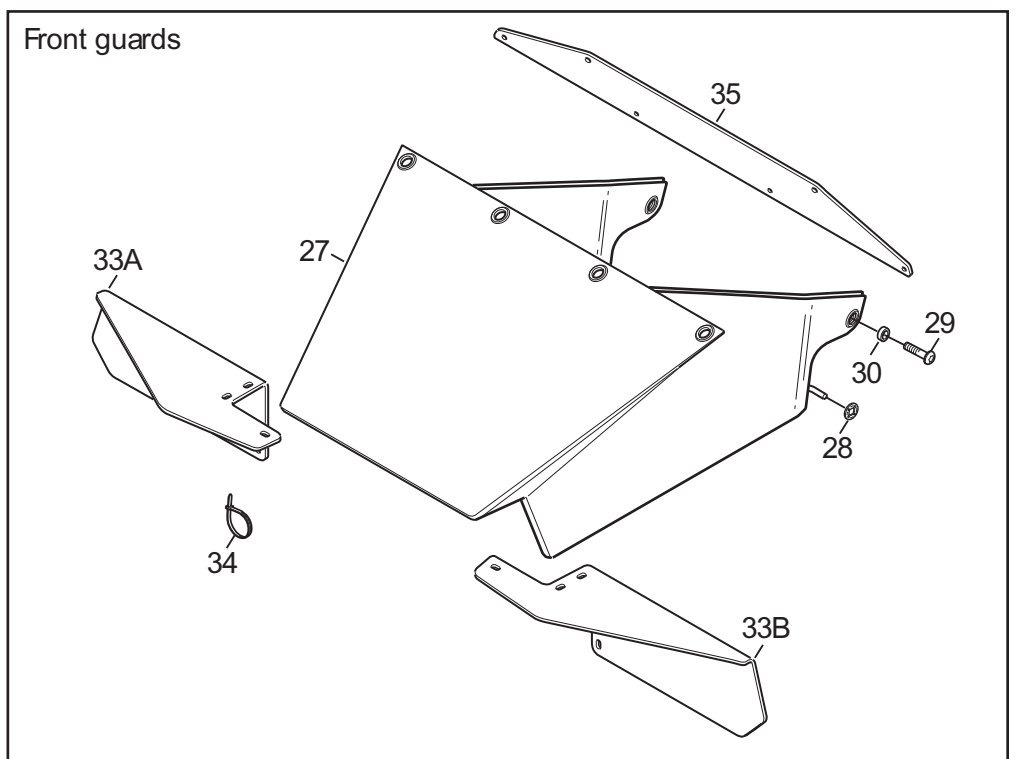
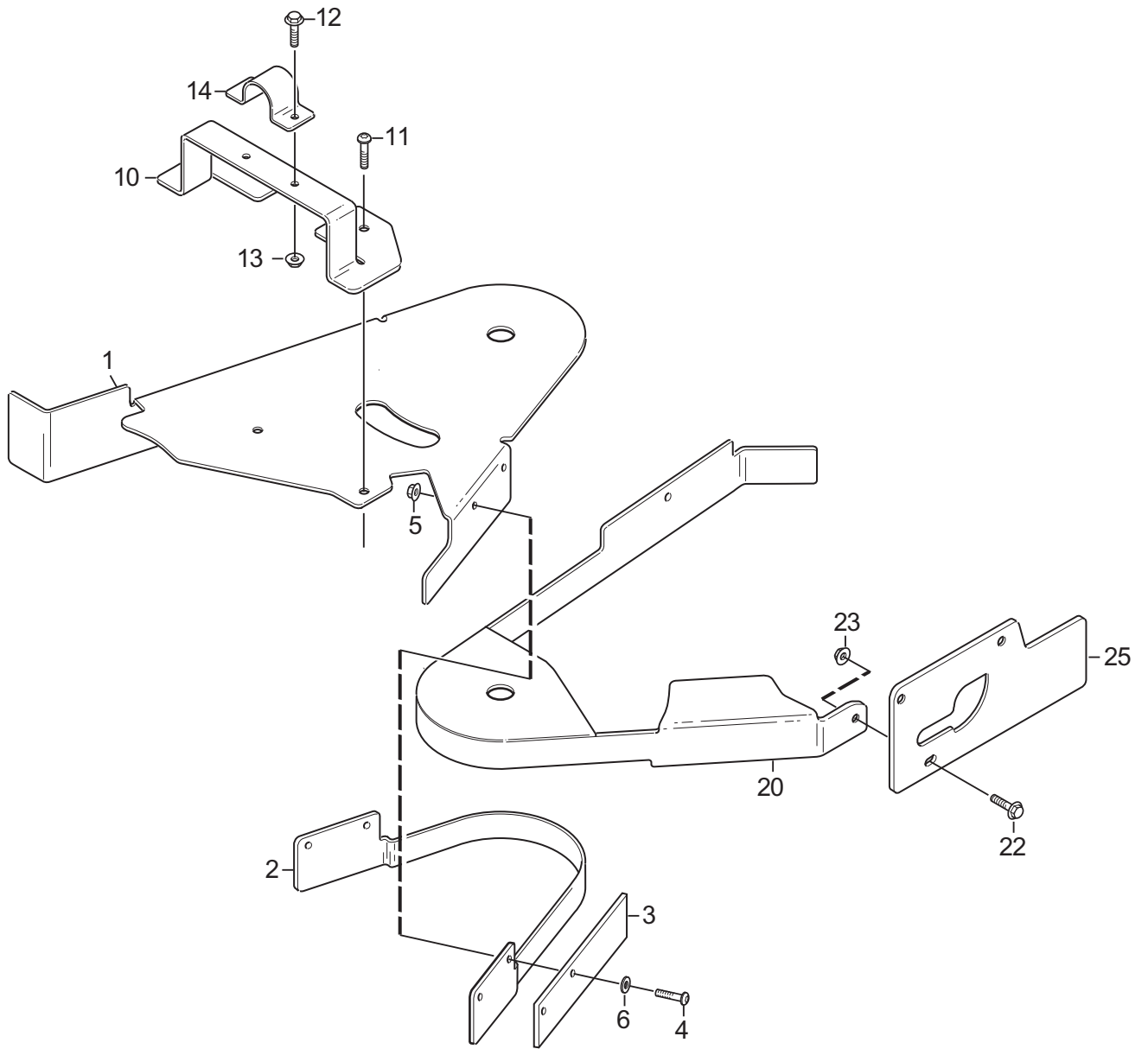




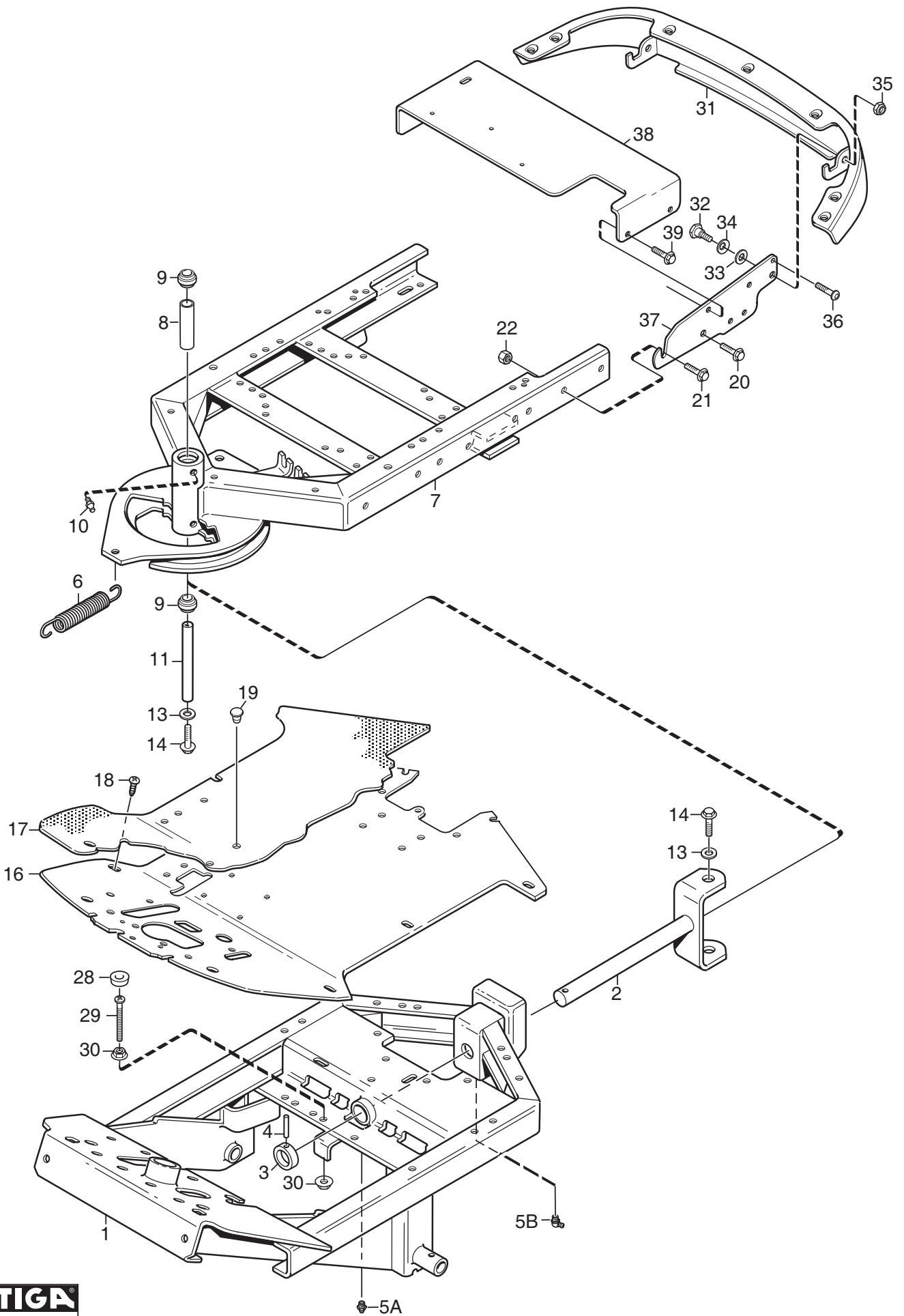
Utgåva Issue		Bildnr Picture No		PARK COMPACT 2WD MONTERINGSDETALJER		PARK COMPACT 2WD ASSEMBLY PARTS		Sida Page	
2011-11		1638D						2	
Pos. Fig.	Antal/Quantity			Art nr Part No	Benämning	Description	Sats Kit	Anmärkning Notes	
	6102 6103 -21	6102 6103 -31							
	2	1	1	1134-6113-01	Batteriskruvar .....	Battery screws .....			
	4	2	2	9595-0262-00	Spännstift .....	Locating pin .....			
	5A	1	1	9699-0103-02	Shims .....	Flat washer .....		0.5 mm	
	5B	1	1	9699-0114-02	Shims .....	Flat washer .....		1.0 mm	
	6	2	2	1134-4185-01	Ansatsbricka .....	Flange washer .....			
	7	2	2	9959-0820-16	Skruv .....	Screw .....			
	8	2	2	1134-4481-01	Vingmutter .....	Wing nut .....			
	9	4	4	9699-0056-02	Planbricka .....	Flat washer .....			
	10	2	2	1134-4734-01	Tändningsnyckel .....	Ignition key .....			
	12	2	2	9997-0820-16	Skruv .....	Screw .....			
	13	1	1	1134-5512-01	Dragplåt .....	Towing plate .....			
	14	2	2	9959-0820-16	Skruv .....	Screw .....			
	15	2	2	9739-0831-22	Mutter .....	Nut .....			
	18	2	2	9898-1035-16	Skruv .....	Screw .....			
	19	2	2	9739-1031-22	Mutter .....	Nut .....			
X	31	1		8211-0001-10	Bruksanvisning .....	Owner's manual .....		France	
X	31		1	8211-0051-10	Bruksanvisning .....	Owner's manual .....			
X	31	1		8211-0601-10	Monteringsanvisning .....	Assy instructions .....			
X	31	1		8211-0701-10	Säkerhetsföreskrifter .....	Safety regulations .....			
X	31	1	1	8211-0901-10	Servicebok .....	Service book .....			
X	31	1	1	8211-0960-10	Garantikort .....	Warranty card .....			



Utgåva Issue		Bildnr Picture No		PARK COMPACT 2WD KAROSS		PARK COMPACT 2WD BODY WORK		Sida Page	
2011- 11		1658B						4	
Pos. Fig.	Antal/Quantity				Art nr Part No	Benämning	Description	Sats Kit	Anmärkning Notes
	6102 6103								
1	1				1134-5263-02	Motorhuv- gul .....	Engine hood- yellow .....		Sats 3 st/kit of 3
2	7				9838-9530-12	Skruv .....	Screw .....		
3	1				1134-9028-01	Gummistropp- sats .....	Rubber strap kit .....		
4	1				9632-0516-00	Popnit .....	Pop rivet .....		
5	1				9699-0120-02	Bricka .....	Washer .....		
6	1				1134-5264-01	Motorlucka- grå .....	Engine cover- grey .....		
7	1				1134-5308-01	Stänkskärm vä- grå .....	Mud guard LH- grey .....		
8	1				1134-5308-02	Stänkskärm hö- grå .....	Mud guard RH- grey .....		
9	4				9893-0616-16	Skruv .....	Screw .....		
10	4				1134-4176-01	Clips .....	Clips .....		
11	2				1137-0088-01	Stödplåt .....	Support plate .....		
12	6				9945-0816-16	Skruv .....	Screw .....		
13	4				9699-0056-02	Planbricka .....	Flat washer .....		
14	1				1134-5306-01	Stötfångare, front- vä .....	Bumper, front- LH .....		
15	1				1134-5306-02	Stötfångare, front- hö .....	Bumper, front- RH .....		
16	2				9893-0616-16	Skruv .....	Screw .....		
18	1				1134-5305-01	Front- nedre .....	Front plate- lower .....		
19	2				9893-0616-16	Skruv .....	Screw .....		
20	1				1134-5320-02	Front- övre .....	Front- upper .....		
21	2				9946-0525-16	Skruv .....	Screw .....		
22	1				1134-6241-01	Huvstöd .....	Hood support .....		
23	3				9893-0616-16	Skruv .....	Screw .....		
24	1				1134-3970-05	Kantlist- vä, grå .....	Moulding- LH, grey .....		
25	1				1134-3970-02	Kantlist- hö, grå .....	Moulding- RH, grey .....		
26	2				9893-0616-16	Skruv .....	Screw .....		
27	2				9699-0060-02	Planbricka .....	Flat washer .....		
28	2				9747-0631-02	Låsmutter .....	Lock nut .....		
29	2				9897-0616-16	Vagnsbult .....	Carriage bolt .....		
99	1				1134-6440-02	Dekalsats .....	Label kit .....		

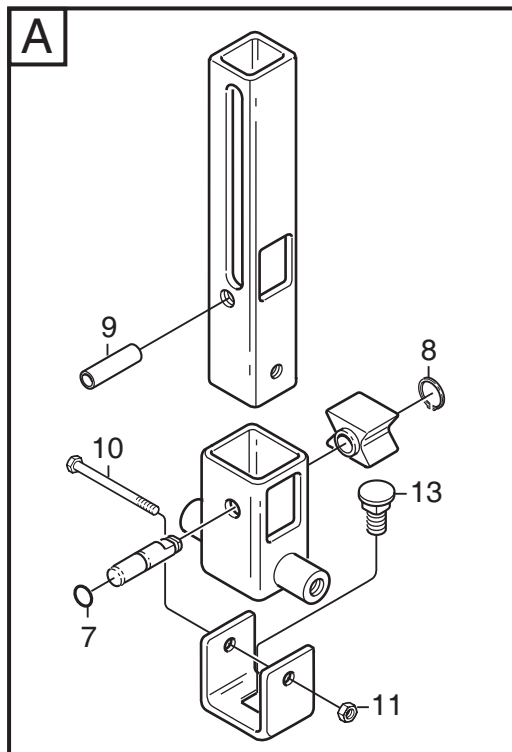
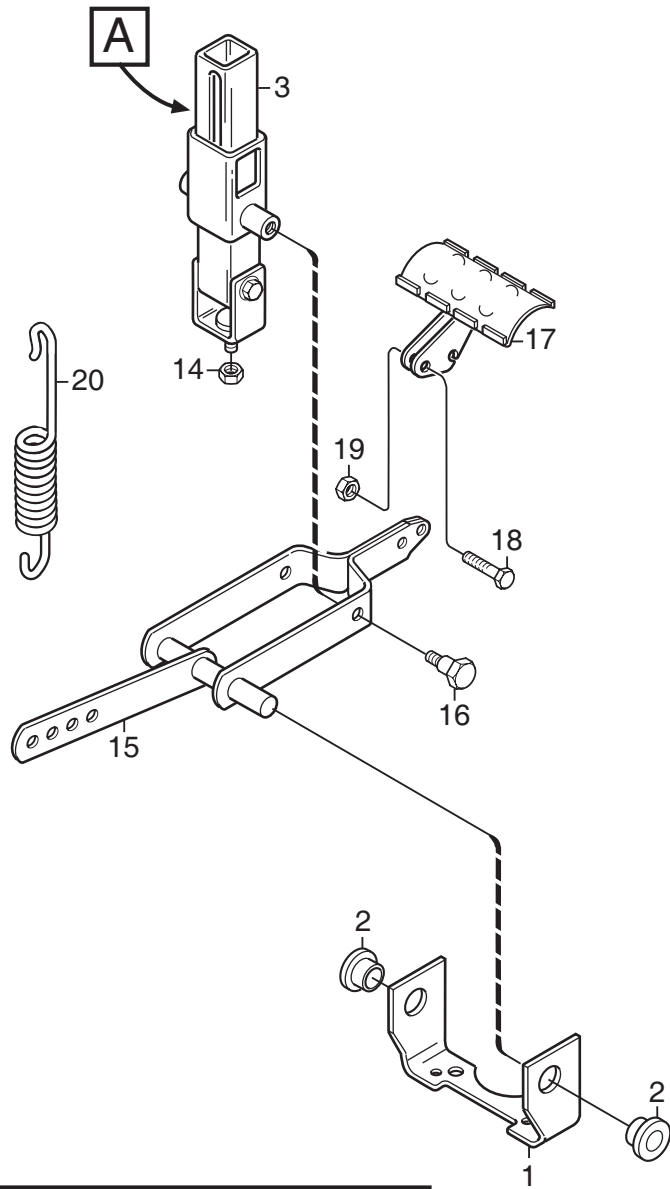


Utgåva Issue		Bildnr Picture No		PARK COMPACT 2WD KAROSS (Frankrike)		PARK COMPACT 2WD BODY WORK (France)		Sida Page	
2011- 11		2822						6	
Pos. Fig.	Antal/Quantity				Art nr Part No	Benämning	Description	Sats Kit	Anmärkning Notes
	6102 6103 FR								
X	1	1			1137-0352-01	Skydd .....	Protection .....		
X	2	1			1137-0354-01	Skydd .....	Protection .....		
X	3	2			1137-0355-01	Gummiduk.....	Rubber sheet.....		
	4	4			9893-0616-16	Skruv.....	Screw.....		
	5	4			9739-0631-22	Mutter.....	Nut.....		
	6	4			9699-0025-02	Planbricka.....	Washer.....		
X	10	1			1137-0413-01	Bygel .....	Loop.....		
	11	2			9893-0616-16	Skruv.....	Screw.....		
	12	2			9959-0620-16	Skruv.....	Screw.....		
	13	2			9739-0631-22	Mutter.....	Nut.....		
X	14	1			1137-0357-01	Överfall.....	Clamp.....		
X	20	1			1137-0391-01	Skydd .....	Protection .....		
	21	1			9893-0616-16	Skruv.....	Screw.....		
	22	1			9959-0620-16	Skruv.....	Screw.....		
	23	1			9739-0631-22	Mutter.....	Nut.....		
X	25	1			1137-0393-01	Skyddsplåt.....	Protection plate.....		
X	27	1			1137-0363-01	Skydd .....	Protection .....		
	28	2			9675-0009-02	Starlock .....	Starlock .....		
	29	6			9893-0616-16	Skruv.....	Screw.....		
	30	6			1134-5114-01	Distans .....	Spacer.....		
X	33A	1			1137-0366-01	Skydd- hö .....	Protection- RH .....		
X	33B	1			1137-0366-02	Skydd- vä.....	Protection- LH.....		
	34	8			9579-0003-00	Buntband .....	Cable holder.....		
X	35	1			1137-0414-01	Fäste.....	Bracket.....		

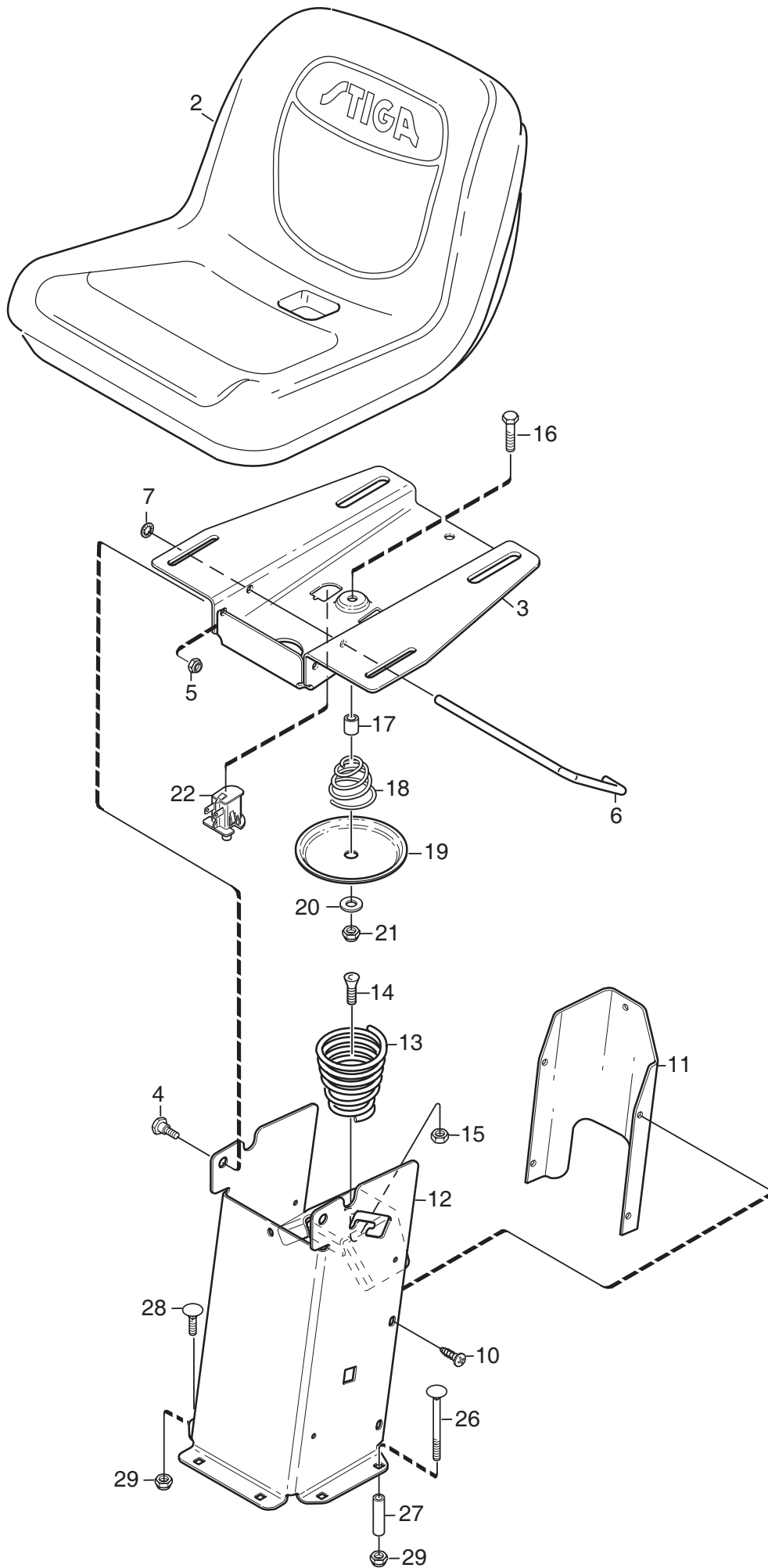




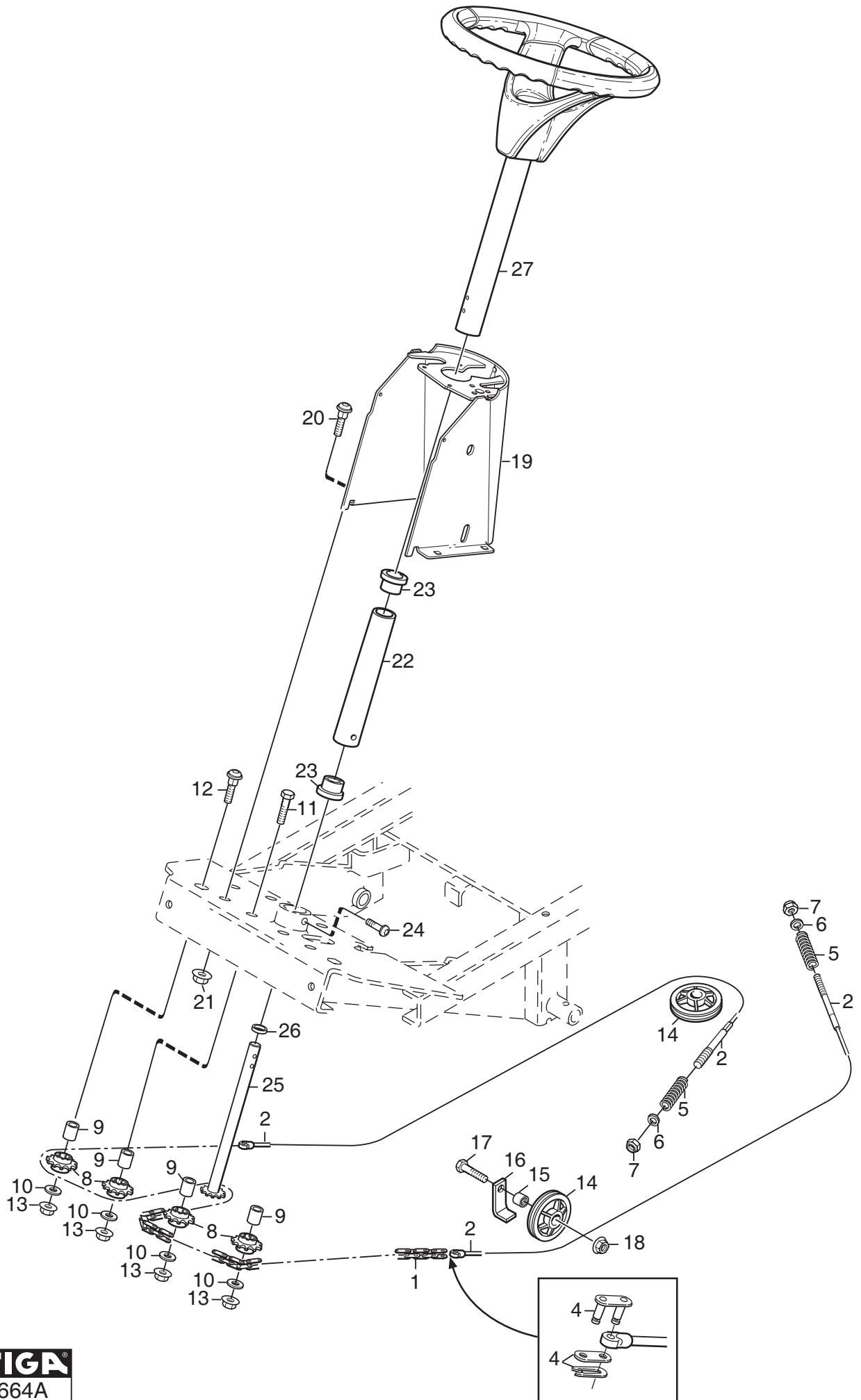
Utgåva Issue		Bildnr Picture No		PARK COMPACT 2WD RAM		PARK COMPACT 2WD FRAME		Sida Page	
2011- 11		1669D						8	
Pos. Fig.	Antal/Quantity			Art nr Part No	Benämning	Description	Sats Kit	Anmärkning Notes	
	6102 6103 -21	6102 6103 -31							
X	1	1		1137-0182-01	Ram- främre .....	Frame- front .....		Inkl. pos 2- 5	
X	1		1	1137-0388-01	Ram- främre .....	Frame- front .....		Inkl. pos 2- 5	
	2	1	1	1134-3963-02	• Midjegaffel .....	• Clevis .....			
	3	1	1	1134-0031-00	• Ledaxelstopp .....	• Pivot shaft stop .....			
	4	1	1	9595-0262-00	• Spännstift .....	• Locating pin .....			
	5A	1	1	9501-0500-00	• Smörjnippel .....	• Grease joint .....		Rak/straight	
	5B	1	1	9501-0504-01	• Smörjnippel .....	• Grease joint .....		90°	
	6	1	1	1134-2171-01	Fjäder .....	Spring .....			
	7	1	1	1134-6466-01	Ram- bakre .....	Frame- rear .....			
	8	1	1	1134-5705-01	• Distans .....	• Spacer .....			
	9	2	2	9547-0001-00	• Ledlager .....	• Bearing .....			
	10	2	2	9501-0500-00	• Smörjnippel .....	• Grease joint .....			
	11	1	1	1134-5988-01	Centrumaxel .....	Centre shaft .....			
	13	2	2	9699-0035-02	Planbricka .....	Flat washer .....			
	14	2	2	9959-1025-16	Skruv .....	Screw .....			
	16	1	1	1134-6586-01	Durk .....	Floor plate .....			
	17	1	1	1134-6372-04	Durkmatta .....	Floor mat .....			
	18	2	2	9893-0616-16	Skruv .....	Screw .....			
	19	2	2	9403-0048-70	Täckpropp .....	Plug .....			
	20	2	2	9945-0816-16	Skruv .....	Screw .....			
	21	2	2	9959-0820-16	Skruv .....	Screw .....			
	22	2	2	9739-0831-22	Mutter .....	Nut .....			
	28	1	1	1134-4975-01	Gummibuffert .....	Rubber block .....			
	29	1	1	9950-0570-12	Skruv .....	Screw .....			
	30	2	2	9739-0531-22	Mutter .....	Nut .....			
	31	1	1	1134-5337-02	Stötfångare- bak, grå .....	Bumper- rear, grey .....			
	32	2	2	1134-0240-00	Ansatssskruv .....	Shoulder screw .....			
	33	2	2	1134-4242-01	Distansbricka .....	Spacer washer .....			
	34	2	2	9665-0002-00	Brickfjäder .....	Bowed washer .....			
	35	2	2	9747-0831-02	Mutter .....	Lock nut .....			
	36	2	2	9943-0516-16	Skruv .....	Screw .....			
	37	2	2	1134-5345-01	Stag .....	Attachment .....			
	38	1	1	1134-5344-01	Batterihylla .....	Battery shelf .....			
	39	4	4	9945-0816-16	Skruv .....	Screw .....			



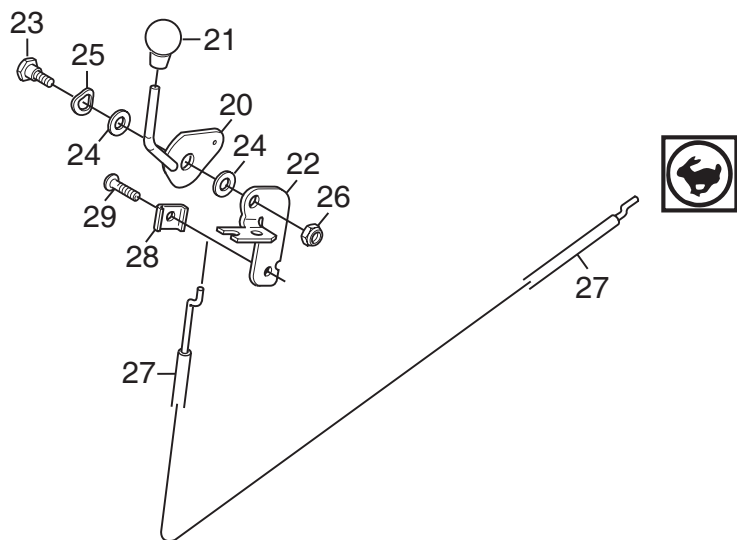
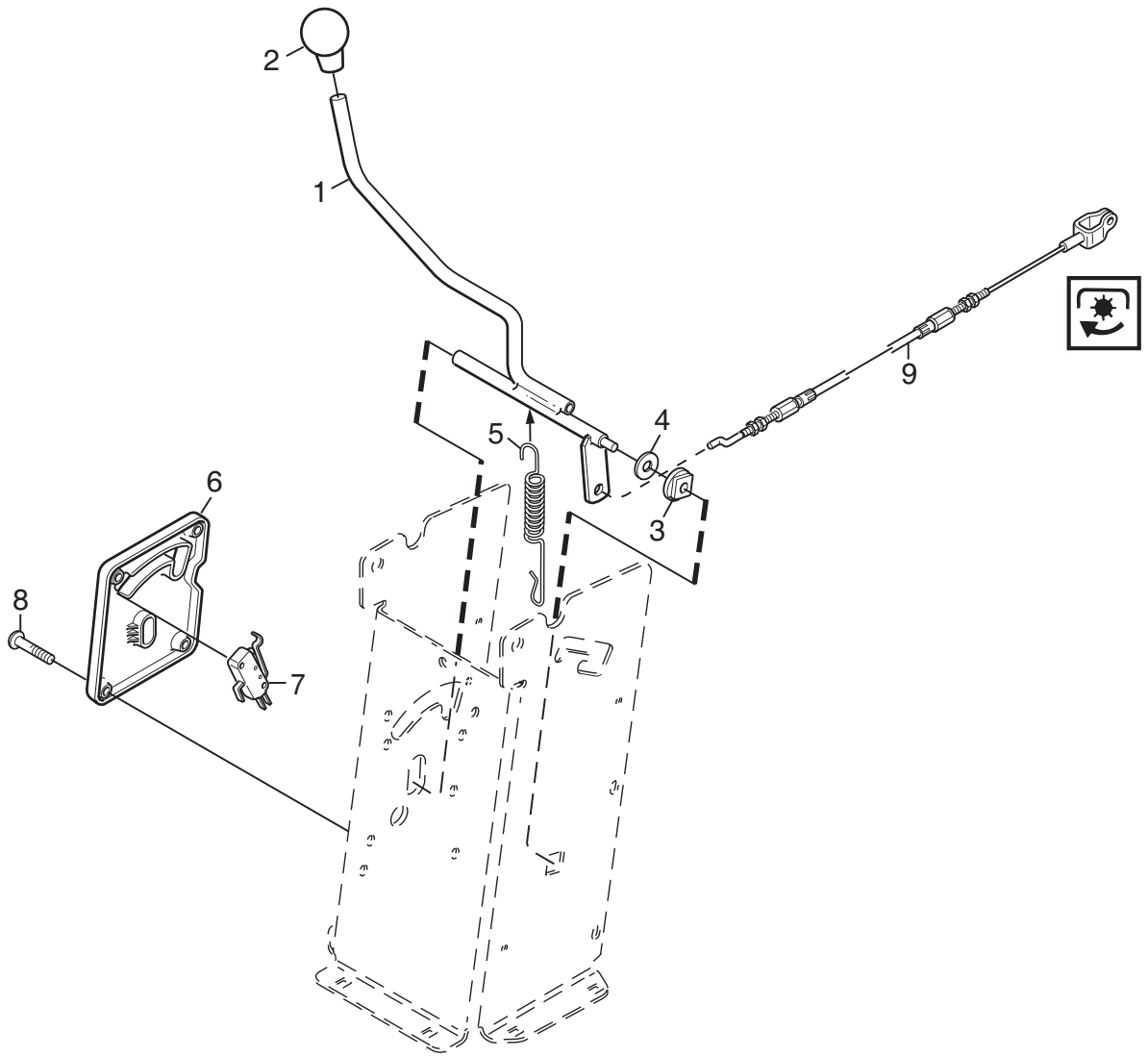
Utgåva Issue		Bildnr Picture No		PARK COMPACT 2WD PEDALLYFT		PARK COMPACT 2WD PEDAL LIFT		Sida Page	
2011-11		1023D						10	
Pos. Fig.	Antal/Quantity				Art nr Part No	Benämning	Description	Sats Kit	Anmärkning Notes
	6102 6103								
1	1				1134-4117-01 Fäste .....	Bracket .....			
2	2				1134-2684-01 Lager .....	Bearing .....			
3	1				1134-4945-01 Lyftspärr kpl .....	Lift catch assy .....			
7	1				9404-0027-01 • O-ring .....	• O-ring .....			
8	1				9650-0039-04 • Seegersäkring .....	• Lock ring .....			
9	1				9595-0276-01 • Spännstift .....	• Locating pin .....			
10	1				9997-0640-12 • Skruv .....	• Screw .....			
11	1				9747-0631-02 • Låsmutter .....	• Lock nut .....			
13	1				9897-0820-16 • Skruv .....	• Screw .....			
14	1				9747-0831-02 Mutter .....	Lock nut .....			
15	1				1134-4860-01 Lyftgaffel .....	Lift fork .....			
16	2				1134-0240-00 Ansatsskruv .....	Shoulder screw .....			
17	1				1134-4938-01 Lyftpedal .....	Lift pedal .....			
18	2				9997-0625-16 Skruv .....	Screw .....			
19	2				9739-0631-22 Mutter .....	Nut .....			
20	1				4231-0013-00 Fjäder .....	Spring .....			



Utgåva Issue		Bildnr Picture No		PARK COMPACT 2WD SITS		PARK COMPACT 2WD SEAT		Sida Page	
2011- 11		1657B						12	
Pos. Fig.	Antal/Quantity				Art nr Part No	Benämning	Description	Sats Kit	Anmärkning Notes
	6102								
2	1				1134-6444-01 Sits .....	Seat .....			
3	1				1134-5301-01 Sitsplatta .....	Seat plate .....			
4	2				1134-0240-00 Ansatsskruv .....	Shoulder screw .....			
5	2				9747-0831-02 Mutter .....	Lock nut .....			
6	1				1134-5454-01 Spärr .....	Catch .....			
7	1				9675-0012-02 Starlock .....	Locking washer .....			
10	4				9893-0616-16 Skruv .....	Screw .....			
11	1				1134-5300-01 Bakstycke- gul .....	Rear plate- yellow .....			
12	1				1134-5296-04 Sitskonsol- gul .....	Seat bracket- yellow .....			
13	1				1134-4256-01 Sitsfjäder .....	Seat spring .....			
14	1				9924-1235-19 Skruv .....	Screw .....			
15	1				9747-1231-02 Låsmutter .....	Lock nut .....			
16	1				9997-0840-12 Skruv .....	Screw .....			
17	1				1134-1565-06 Distans .....	Spacer .....			
18	1				1134-5302-01 Fjäder .....	Spring .....			
19	1				1134-5299-01 Tryckplatta .....	Push plate .....			
20	1				9699-0090-02 Planbricka .....	Flat washer .....			
21	1				9747-0831-02 Mutter .....	Lock nut .....			
22	1				1134-3156-02 Brytare (grå) .....	Switch (grey) .....			
26	2				9897-0880-12 Skruv .....	Screw .....			L = 80 mm
27	2				1134-1565-08 Distans .....	Spacer .....			
28	4				9897-0820-16 Skruv .....	Screw .....			L = 20 mm
29	6				9747-0831-02 Mutter .....	Lock nut .....			

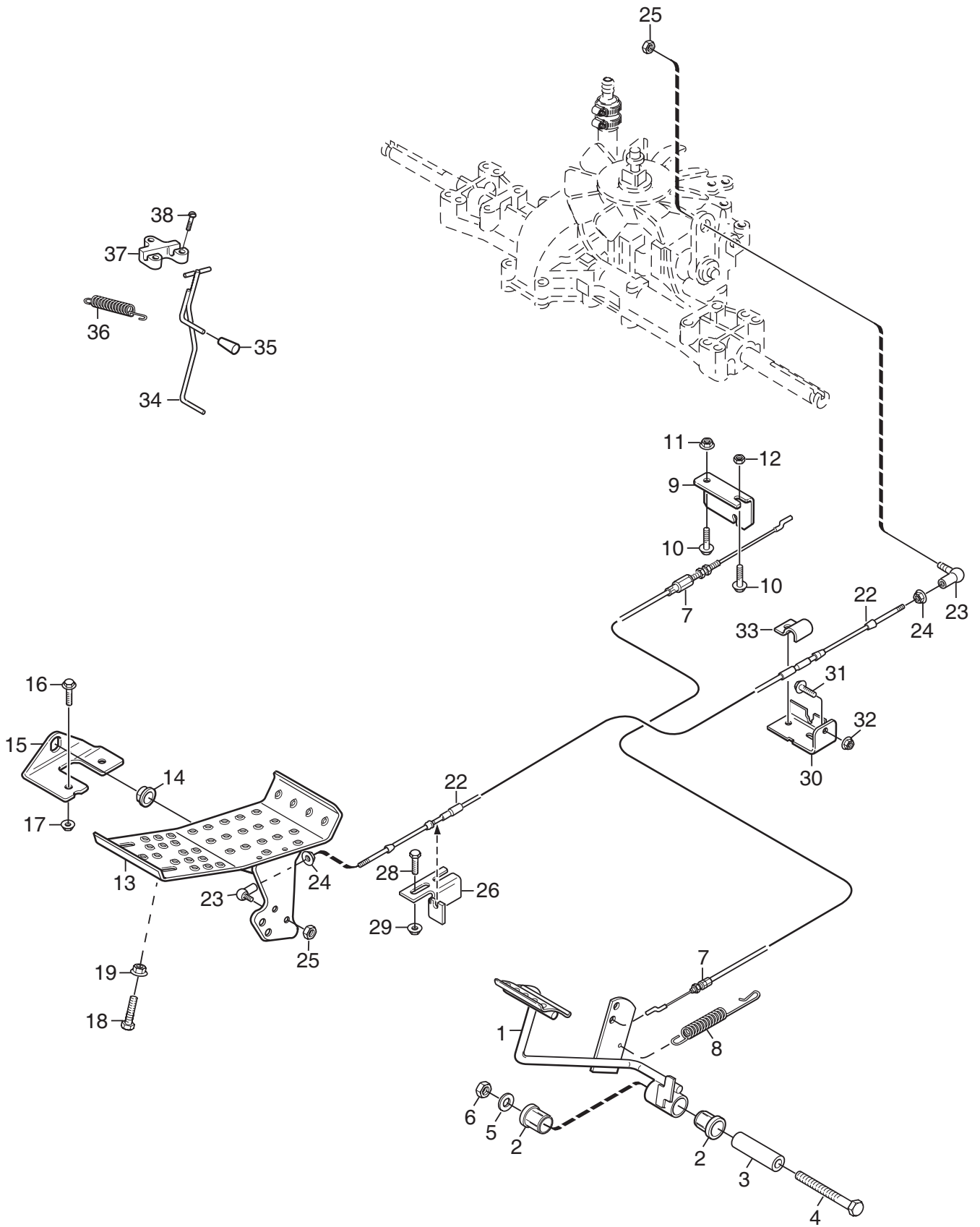


Utgåva Issue		Bildnr Picture No		PARK COMPACT 2WD STYRNING		PARK COMPACT 2WD STEERING		Sida Page	
2011- 11		1664A						14	
Pos. Fig.	Antal/Quantity				Art nr Part No	Benämning	Description	Sats Kit	Anmärkning Notes
	6102 6103								
1	1				1134- 6374- 06 Kedja .....	Chain.....		83 länk	
2	1				1134- 9084- 01 Styrwire kpl (vä+hö) .....	Steering cable assy .....		Sats vä+hö/kit L+R	
4	2				1134- 2824- 02 Kedjelås .....	Chain lock .....		L = 58 mm	
5	2				1134- 3817- 01 Tryckfjäder .....	Compression spring.....			
6	2				9699- 0090- 02 Planbricka.....	Flat washer.....			
7	2				9747- 0831- 02 Mutter.....	Lock nut.....			
8	4				1134- 2816- 01 Kedjehjul.....	Sprocket.....			
9	4				1134- 0041- 02 Linhjushylsa .....	Idler wheel bush.....			
10	4				9699- 0035- 02 Planbricka.....	Flat washer.....			
11	2				9997- 1050- 16 Skruv .....	Screw.....			
12	2				9897- 1040- 12 Skruv .....	Screw.....			
13	4				9739- 1031- 22 Mutter.....	Nut.....			
14	2				1134- 9025- 01 Linhjuls- sats .....	Steering pulley- kit .....		Sats 2 st/kit of 2	
15	2				1134- 0041- 01 Linhjushylsa .....	Bushing.....			
16	2				1134- 0046- 00 Linhållare.....	Wire clamp.....			
17	2				9997- 1030- 16 Skruv .....	Screw.....			
18	2				9739- 1031- 22 Mutter.....	Nut.....			
19	1				1134- 5349- 01 Styrkonsol- gul .....	Steering console- yel.....			
20	4				9897- 0820- 16 Skruv .....	Screw.....			
21	4				9739- 0831- 22 Mutter.....	Nut.....			
22	1				1134- 1305- 05 Rattrör- nedre .....	Steering column- lower .....			
23	2				1134- 1901- 01 Lager .....	Bearing.....			
24	2				9893- 0616- 16 Skruv .....	Screw.....			
25	1				1137- 0079- 02 Rattstång .....	Steering rod .....			
26	1				1134- 2837- 01 Distans .....	Spacer.....			
27	1				1134- 5496- 03 Ratt.....	Steering wheel .....			

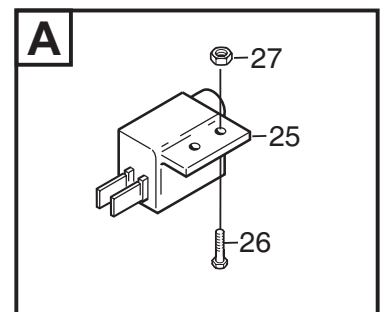
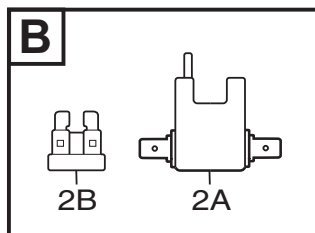
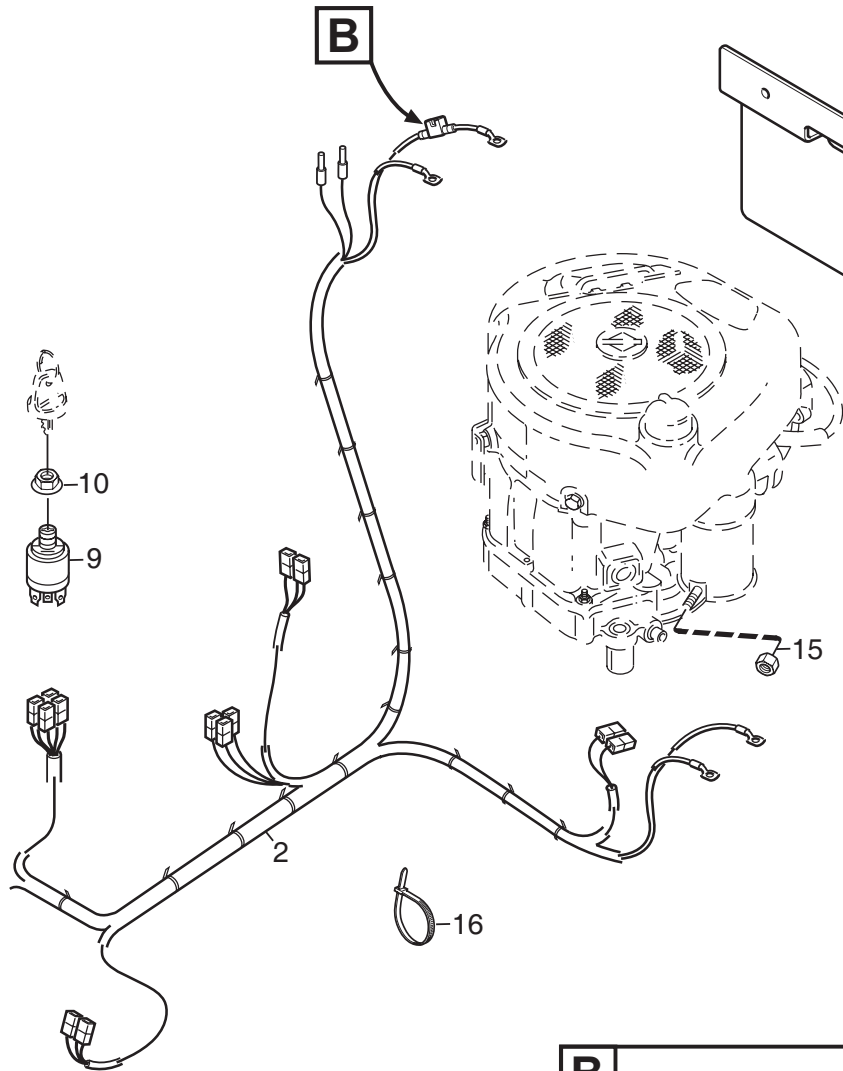
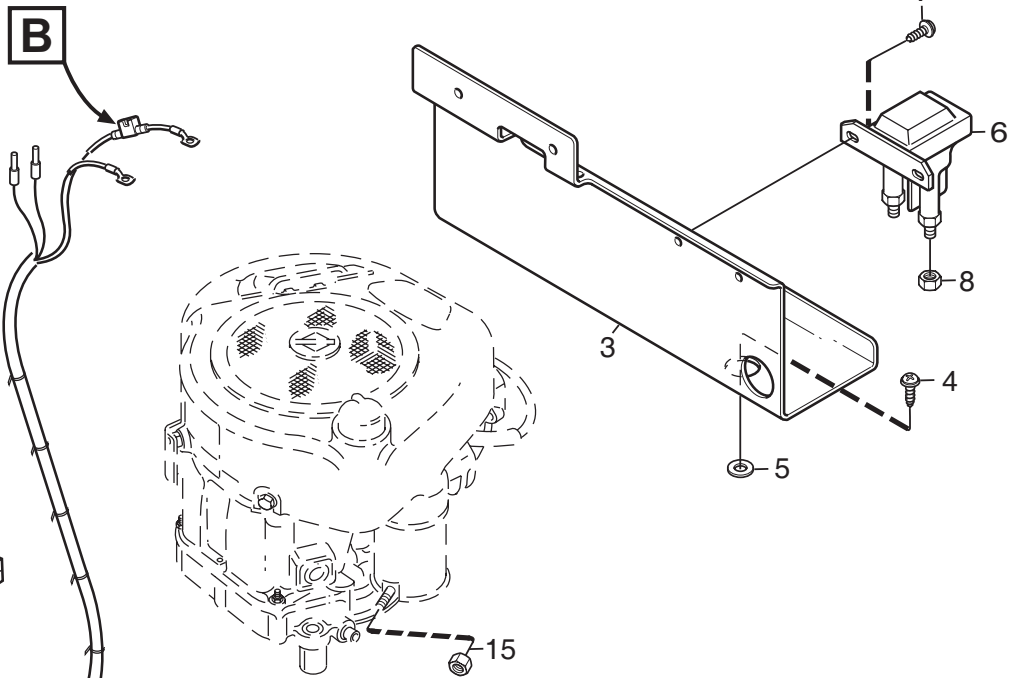
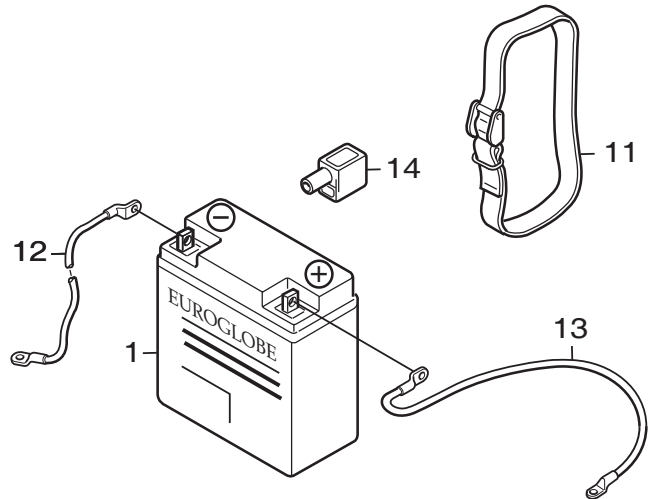
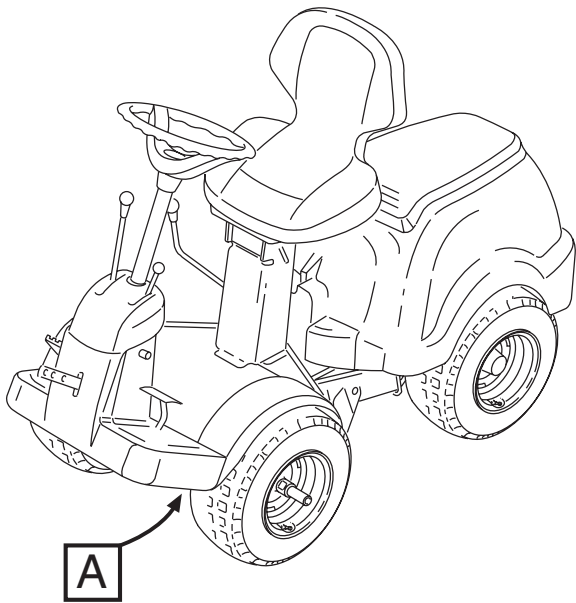




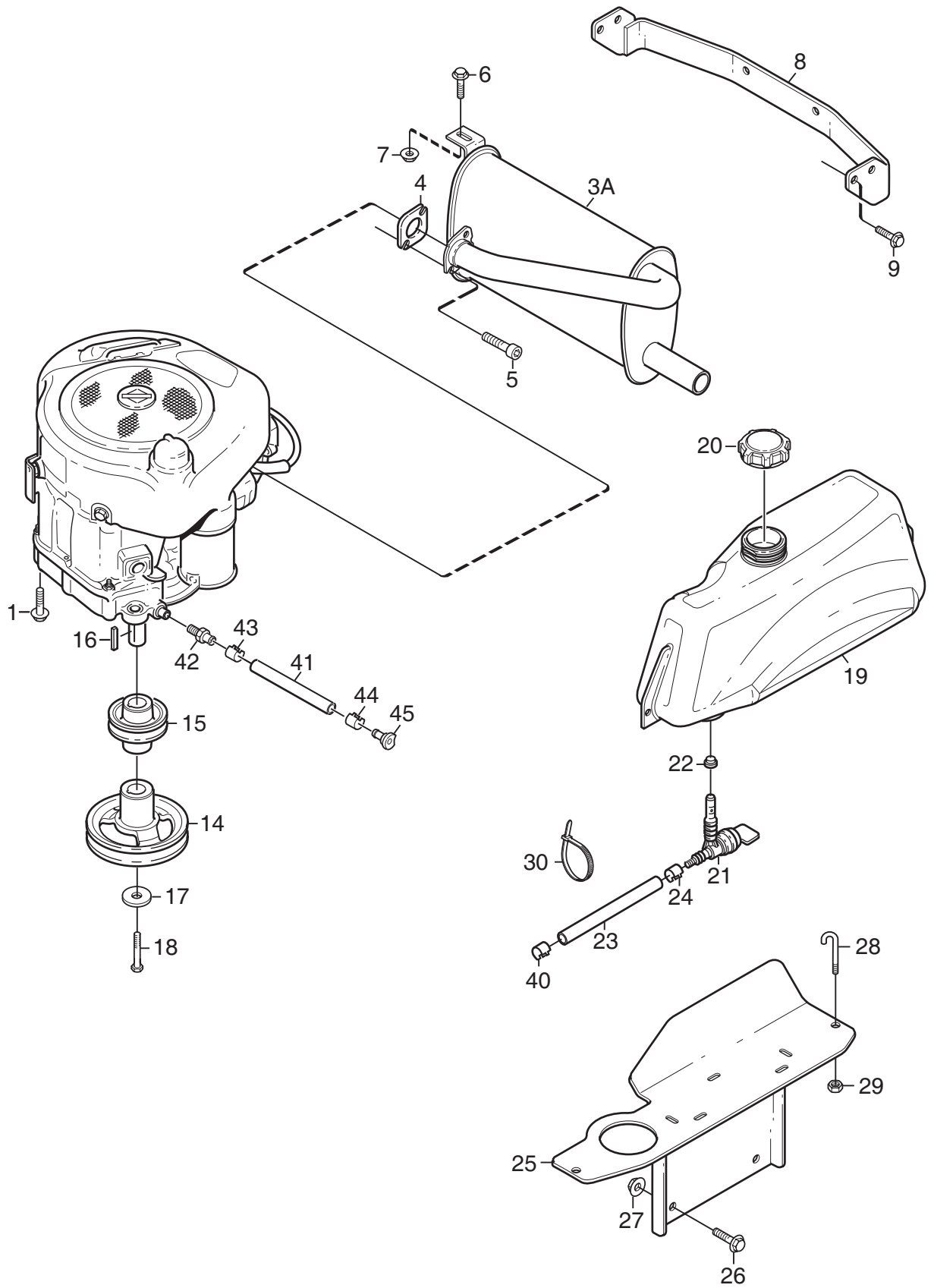
Utgåva Issue		Bildnr Picture No		PARK COMPACT 2WD HANDREGLAGE		PARK COMPACT 2WD HAND CONTROLS		Sida Page	
2011-11		1670B						16	
Pos. Fig.	Antal/Quantity				Art nr Part No	Benämning	Description	Sats Kit	Anmärkning Notes
	6102 6103								
1	1				1134-6301-01	Aggregatsspak.....	Engagement lever .....		
2	1				1134-2551-01	Reglageknopp.....	Knob .....		
3	1				1134-3790-02	Lager .....	Bearing.....		
4	1				9699-0090-02	Planbricka.....	Flat washer.....		
5	1				4231-0013-00	Fjäder.....	Spring .....		
6	1				1134-5368-01	Panel .....	Dashboard .....		
7	1				9400-0360-01	Mikrobrytare.....	Micro switch .....		
8	4				9946-0525-16	Skruv .....	Screw .....		
9	1				1134-3573-05	Reglagewire.....	Control cable.....		
20	1				1134-5465-01	Gasreglage.....	Throttle lever.....		
21	1				1134-4078-01	Knopp.....	Knob .....		
22	1				1134-5464-01	Fäste.....	Bracket.....		
23	1				1134-0240-00	Ansatsskruv.....	Shoulder screw.....		
24	2				1134-4242-01	Distansbricka.....	Spacer washer .....		
25	1				9694-0001-00	Fjäderbricka .....	Washer.....		
26	1				9747-0831-02	Mutter.....	Lock nut.....		
27	1				1134-4197-03	Gaswire .....	Throttle cable .....		
28	1				9500-9991-00	Wireklämma .....	Cable clamp .....		
29	1				9943-0516-16	Skruv.....	Screw.....		



Utgåva Issue		Bildnr Picture No		PARK COMPACT 2WD FOTREGLAGE		PARK COMPACT 2WD FOOT CONTROLS		Sida Page	
2011-11		2026A						18	
Pos. Fig.	Antal/Quantity				Art nr Part No	Benämning	Description	Sats Kit	Anmärkning Notes
	6102 6103								
1	1				1134-5655-01	Broms/kopplingspedal.....	Brake/clutch pedal.....		Sats 4 st/kit of 4
2	1				1134-9024-01	Lager.....	Bearing.....		
3	1				1134-5677-02	Distans.....	Spacer.....		
4	1				9997-1070-12	Skruv.....	Screw.....		
5	1				9699-0030-02	Planbricka.....	Flat washer.....		
6	1				9739-1031-22	Mutter.....	Nut.....		
7	1				1134-6005-01	Wire.....	Cable.....		
8	1				4231-0013-00	Fjäder.....	Spring.....		
9	1				1134-6467-01	Wirefäste.....	Cable holder.....		
10	2				9959-0820-16	Skruv.....	Screw.....		
11	1				9739-0831-22	Mutter.....	Nut.....		
12	1				9739-0831-22	Mutter.....	Nut.....		
13	1				1134-6353-01	Drivpedal.....	Drive pedal.....		
14	2				1134-6313-01	Lager.....	Bearing.....		
15	2				1134-2700-01	Fäste.....	Bracket.....		
16	2				9959-0820-16	Skruv.....	Screw.....		
17	2				9739-0831-22	Mutter.....	Nut.....		
18	1				9997-0835-16	Skruv.....	Screw.....		
19	1				9739-0831-22	Mutter.....	Nut.....		
22	1				1134-2766-05	Reglagewire.....	Speed control cable.....		
23	2				9570-0001-00	Vinkellänk.....	Elbow link.....		
24	2				9739-0531-22	Mutter.....	Nut.....		
25	2				9747-0531-02	Mutter.....	Nut.....		
26	1				1134-6317-01	Wirefäste.....	Cable holder.....		
28	2				9959-0620-16	Skruv.....	Screw.....		
29	2				9739-0631-22	Mutter.....	Nut.....		
30	1				1134-3395-01	Fäste.....	Attachment.....		
31	2				9959-0820-16	Skruv.....	Screw.....		
32	2				9739-0831-22	Mutter.....	Nut.....		
33	1				1134-2021-01	Växelwirefäste.....	Clamp.....		
34	1				1134-5353-01	Bromsstång.....	Brake rod.....		
35	1				1134-2786-01	Plastknopp.....	Plastic knob.....		
36	1				1131-1497-01	Fjäder.....	Spring.....		
37	1				1134-4002-01	Fäste.....	Brake rod attachment.....		
38	3				9838-9516-12	Skruv.....	Screw.....		

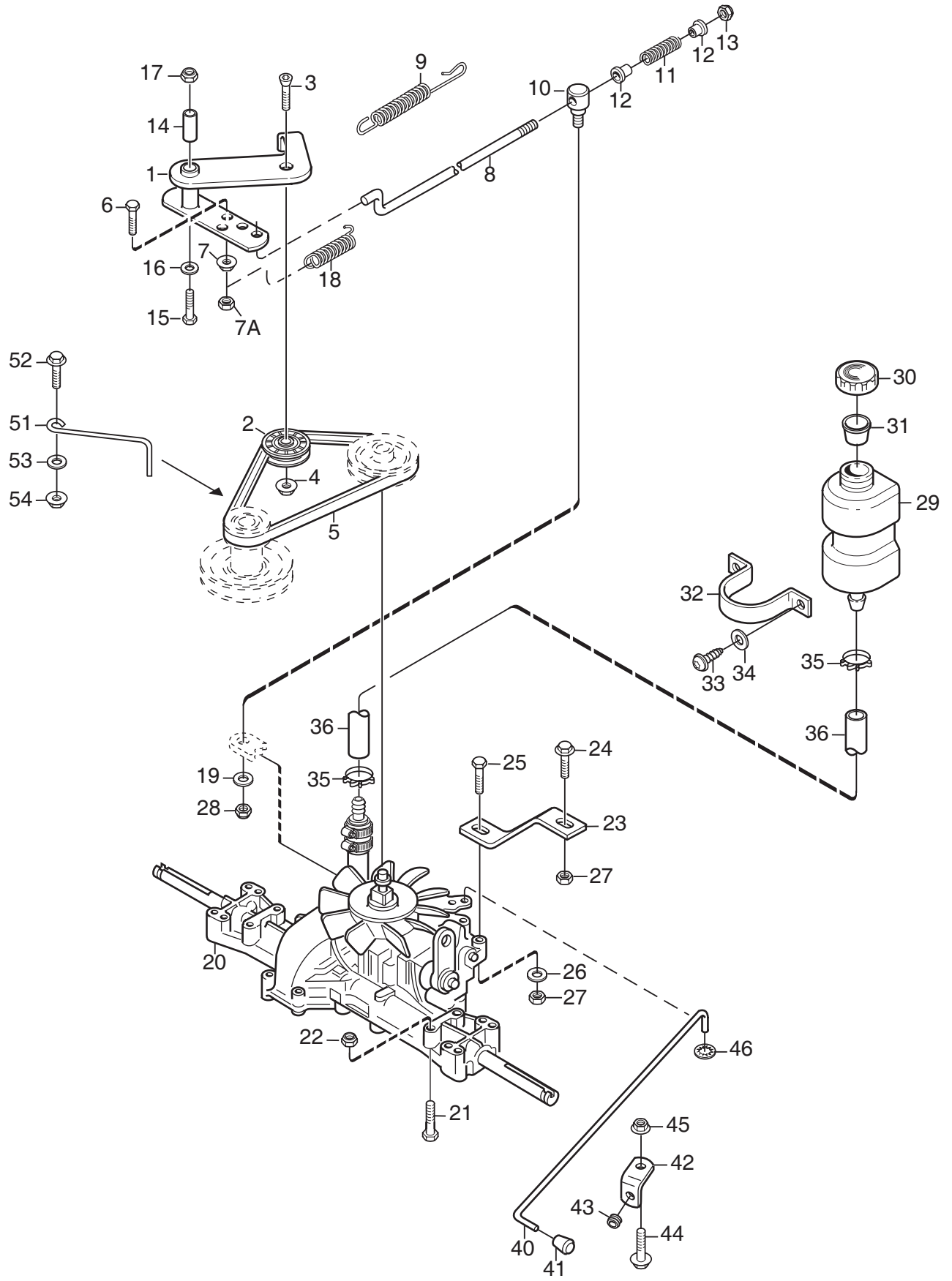


Utgåva Issue		Bildnr Picture No		PARK COMPACT 2WD ELUTRUSTNING		PARK COMPACT 2WD EL. EQUIPMENT		Sida Page	
2011-11		1671G						20	
Pos. Fig.	Antal/Quantity				Art nr Part No	Benämning	Description	Sats Kit	Anmärkning Notes
	6102 6103								
1	1				1134-4804-01 Batteri .....	Battery .....			
2	1				1134-5769-01 Kablage.....	Harness.....			
2A	1				9400-0327-01 • Säkringshållare .....	• Fuse holder .....			Inkl. pos 2B
2B	1				1134-3496-06 •• Säkring .....	•• Fuse .....			20A
3	1				1134-5343-01 Batterikonsol .....	Battery bracket.....			
4	3				9852-8013-16 Skruv .....	Screw.....			
5	2				9699-0060-02 Planbricka.....	Flat washer.....			
6	1				1134-2962-01 Solenoid kpl .....	Solenoid assy.....			Inkl. pos 8
7	2				9852-8013-16 Skruv .....	Screw.....			
8	2				9794-5131-02 • Mutter.....	• Nut .....			
9	1				1134-4093-01 Tändningslås .....	Ignition switch .....			
10	1				1134-4749-01 Mutter.....	Nut .....			
11	1				1134-5245-01 Batterirem.....	Battery strap .....			
12	1				1134-2167-01 Kabel .....	Cable .....			L = 530 mm
13	1				1134-0234-02 Batterikabel ( + ).....	Battery cable ( + ).....			
14	1				1134-2310-01 Batteriskydd.....	Guard cap .....			
15	1				9795-3531-02 Mutter.....	Nut .....			1/4" UNC
16	15				9579-0003-00 Buntband .....	Cable holder .....			
25	1				1134-3399-02 Brytare.....	Switch .....			
26	2				9997-0520-16 Skruv .....	Screw.....			
27	2				9747-0531-02 Mutter.....	Nut .....			



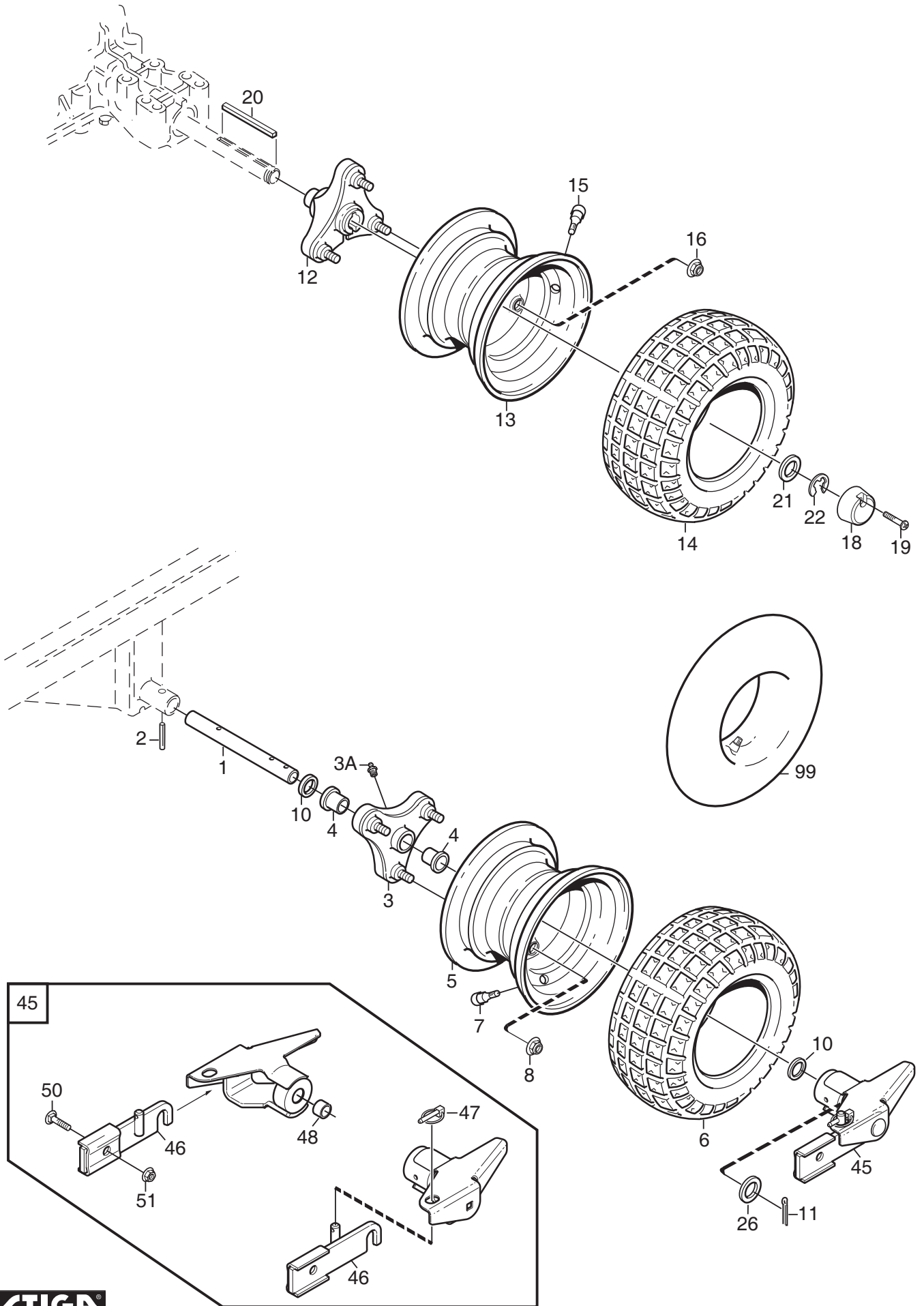
Utgåva Issue 2011-11		Bildnr Picture No 1672E		PARK COMPACT 2WD MOTOR (B&S)		PARK COMPACT 2WD ENGINE (B&S)		Sida Page 22	
Pos. Fig.	Antal/Quantity			Art nr Part No	Benämning	Description	Sats Kit	Anmärkning Notes	
	6103	6102							
1	4	4		9955-3725-16	Skruv.....	Screw.....		3/8" UNC x 25 mm	
3A		1		1134-5370-01	Ljuddämpare .....	Muffler .....			
3A	1			1134-7784-01	Ljuddämpare .....	Muffler .....			
4	1	1		1134-0433-00	Ljuddämparpackning.....	Muffler gasket.....			
5	2	2		1134-4930-01	Skruv.....	Screw.....			
6	1	1		9959-0820-16	Skruv.....	Screw.....			
7	1	1		9739-0831-22	Mutter.....	Nut.....			
8	1	1		1134-5390-01	Dragkroksbalk .....	Tow bar bracket.....			
9	4	4		9945-0816-16	Skruv.....	Screw.....			
14	1	1		1137-0082-01	Motorremskiva .....	Engine pulley.....			Ø = 139 mm Ø = 85 mm L = 2 1/2"
15	1	1		1137-0007-01	Motorremskiva .....	Engine pulley.....			
16	1	1		9600-0251-01	Kil .....	Key.....			
17	1	1		1134-5017-01	Bricka .....	Washer.....			
18	1	1		9987-5332-16	Skruv.....	Screw.....			
19	1	1		1134-6618-01	Bränsletank.....	Fuel tank .....			
20	1	1		1134-5532-01	Tanklock .....	Fuel tank cap.....			
21	1	1		1134-3224-01	Bensinkran.....	Fuel shut-off valve.....			
22	1	1		1134-3225-01	Gummibussning .....	Grommet.....			
23	0,52	0,52		9505-0001-01	Bensinslang (meter) .....	Fuel line (metre).....			Per meter
24	1	1		9578-0023-02	Slangklämma.....	Hose clamp .....			
25	1	1		1134-6627-01	Tankkonsol .....	Fuel tank bracket.....			
26	2	2		9959-0820-16	Skruv.....	Screw.....			
27	2	2		9739-0831-22	Mutter.....	Nut.....			
28	2	2		1134-5346-01	Tankbygel .....	Fuel tank loop.....			
29	2	2		9747-0631-02	Låsmutter .....	Lock nut.....			
30	1	1		9579-0003-00	Buntband .....	Cable holder.....			
40	1	1		9578-0023-02	Slangklämma.....	Hose clamp .....			
41	1	1		1134-5827-01	Oljeavtappning kpl .....	Oil drain assy .....		Inkl. pos 42 - 45	
42	1	1		1134-5825-01	• Nippel .....	• Nipple.....			
43	1	1		9578-0023-04	• Slangklämma.....	• Hose clamp .....			
44	1	1		1134-3499-02	• Slangklämma.....	• Hose clamp .....			
45	1	1		1134-5826-01	• Plugg .....	• Plug.....			

X  
X

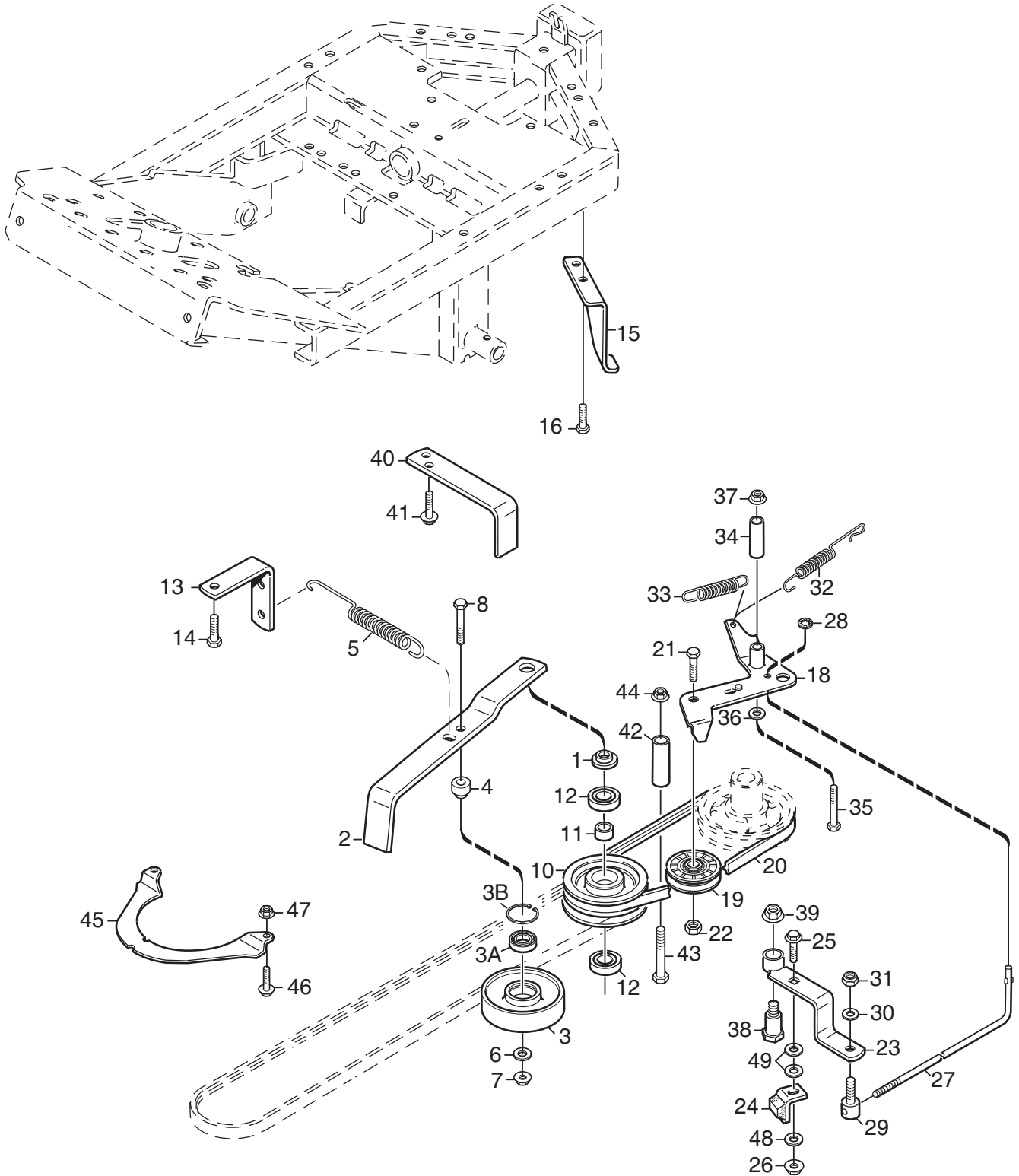




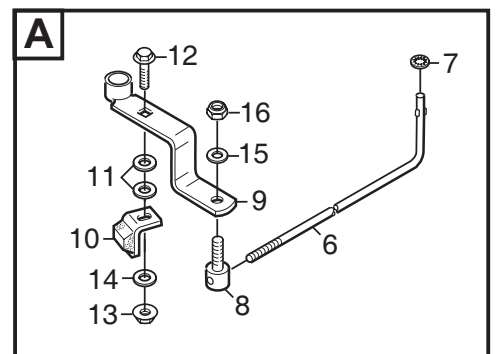
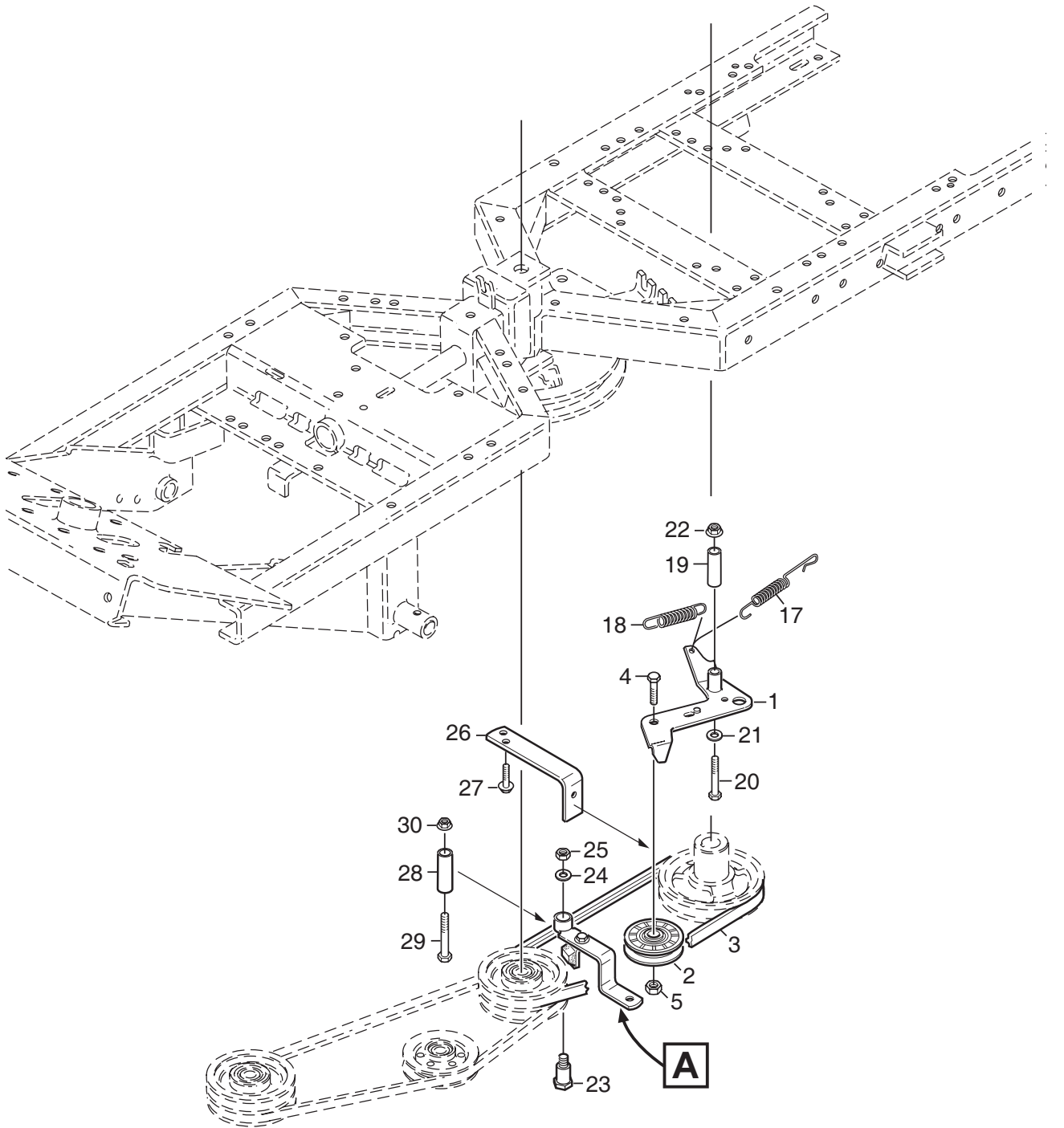
Utgåva Issue		Bildnr Picture No		PARK COMPACT 2WD TRANSMISSION		PARK COMPACT 2WD TRANSMISSION		Sida Page	
2011- 11		1668A						24	
Pos. Fig.	Antal/Quantity				Art nr Part No	Benämning	Description	Sats Kit	Anmärkning Notes
	6102								
6103									
1	1				1134-4000-02	Spännarm .....	Tension arm .....		= 9585-0091-01
2	1				1134-3459-01	Spännrulle .....	Tension roller .....		
3	1				9924-1035-16	Skruv .....	Screw .....		
4	1				9799-1031-02	Mutter .....	Nut .....		
5	1				1134-9058-01	Drivrem .....	V- belt.....		
6	1				9997-0625-16	Skruv .....	Screw .....		
7	1				9739-0631-22	Mutter .....	Nut .....		
7A	1				9747-0631-02	Låsmutter .....	Lock nut .....		
8	1				1134-3377-02	Reglagestång .....	Control rod.....		
9	1				4231-0013-00	Fjäder.....	Spring .....		
10	1				1134-4171-01	Ledtapp .....	Pivot pin.....		
11	1				1134-4183-01	Tryckfjäder.....	Compression spring.....		
12	2				1134-3456-01	Bussning .....	Bushing.....		
13	1				9747-0631-02	Låsmutter .....	Lock nut .....		
14	1				1134-1565-08	Distans .....	Spacer.....		
15	1				9997-0870-16	Skruv .....	Screw .....		
16	1				9699-0056-02	Planbricka.....	Flat washer.....		
17	1				9747-0831-02	Mutter.....	Lock nut.....		
18	1				1134-6414-01	Fjäder.....	Spring .....		
19	1				9699-0060-02	Planbricka.....	Flat washer.....		
20	1				1137-0123-01	Transaxel kpl.....	Transaxle assy.....	Kanzaki K46Cl	
21	4				9960-0860-12	Skruv .....	Screw .....		
22	4				9747-0831-02	Mutter.....	Lock nut.....		
23	1				1134-3913-01	Reaktionsstag .....	Strut.....		
24	1				9959-0825-16	Skruv .....	Screw .....		
25	1				9997-0845-12	Skruv .....	Screw .....		
26	1				9699-0090-02	Planbricka.....	Flat washer.....		
27	2				9747-0831-02	Mutter.....	Lock nut.....		
28	1				9747-0631-02	Låsmutter .....	Lock nut.....		
29	1				1134-2765-02	Oljetank .....	Oil tank.....		
30	1				1134-2777-02	Tanklock .....	Filler cap .....		
31	1				1134-3734-01	Luftningsplugg .....	Vent plug.....		
32	1				1134-2778-01	Fästband.....	Retainer strap .....		
33	2				9852-8013-16	Skruv .....	Screw .....		
34	2				9699-0099-02	Bricka .....	Washer.....		
X 35	2				9578-0035-01	Slangklämma.....	Hose clamp .....	14,6-17,8 L = 140 mm	
36	1				1134-2779-07	Slang .....	Tube .....		
40	1				1134-4015-01	Dragstång .....	Pull rod .....		
41	1				1134-4014-01	Plastknopp.....	Plastic button.....		
42	1				1134-4713-01	Vinkel.....	Bracket.....		
43	1				1134-2790-01	Gummihylsa .....	Rubber grommet.....		
44	1				9959-0820-16	Skruv .....	Screw .....		
45	1				9739-0831-22	Mutter.....	Nut .....		
46	1				9675-0009-02	Starlock .....	Starlock .....		
51	1				1134-3289-02	Remstyrning.....	Belt guide.....		
52	1				9959-0820-16	Skruv .....	Screw .....		
53	1				9699-0056-02	Planbricka.....	Flat washer.....		
54	1				9739-0831-22	Mutter.....	Nut.....		



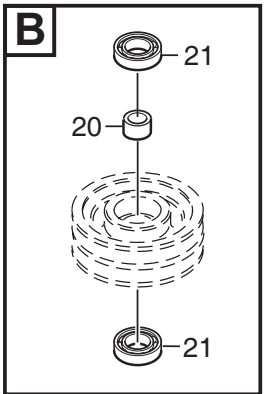
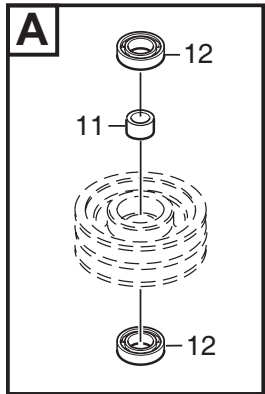
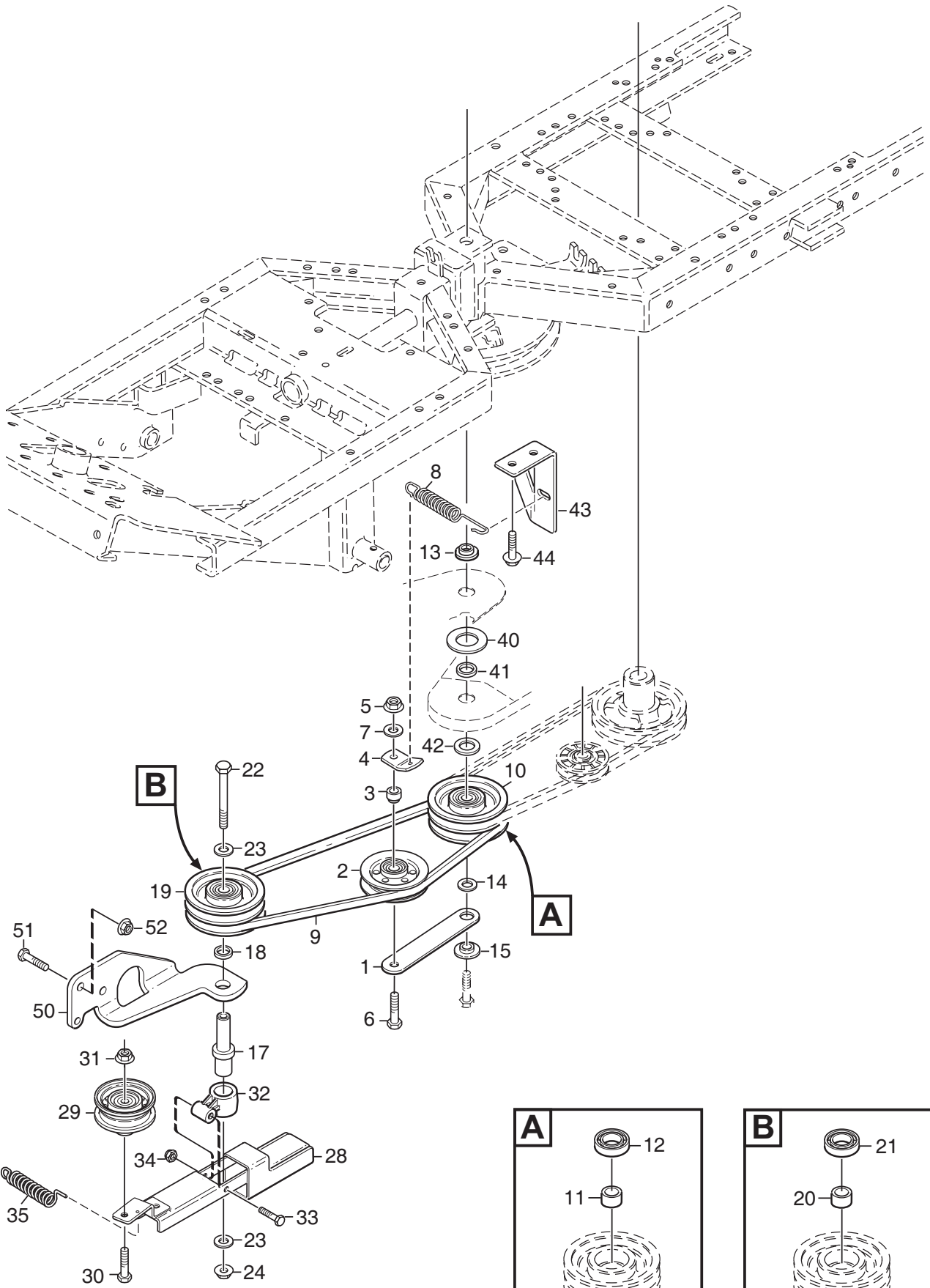
Utgåva Issue		Bildnr Picture No		PARK COMPACT 2WD HJUL		PARK COMPACT 2WD WHEELS		Sida Page	
2011- 11		1346E						26	
Pos. Fig.	Antal/Quantity			Art nr Part No	Benämning	Description	Sats Kit	Anmärkning Notes	
	6102	6103							
X 1	2	2		1134-0075-00	Framaxeltapp .....	Front axle .....			
2	2	2		9595-0258-00	Spännstift .....	Locating pin .....			
3	2	2		1134-4844-05	Hjulnav kpl.....	Wheel hub assy.....			
3A	1	1		9501-0500-00	• Smörjnippel .....	• Grease joint.....			
4	1	1		1134-9026-01	• Lagerbussning.....	• Bearing bush kit .....		Sats 4 st/kit of 4	
5		2		1134-4558-01	Fälg.....	Rim .....			
5	2			1134-5255-01	Fälg.....	Rim .....			
6		2		9545-0116-00	Däck .....	Tyre .....		16 x 7.50 - 8	
6	2			9545-0126-01	Däck .....	Tyre .....		16 x 6.00 - 8	
7	2	2		9545-0500-00	Ventil .....	Valve .....			
8	6	6		9731-1031-22	Mutter.....	Nut .....			
10	4	4		1134-0341-01	Bricka .....	Washer.....		20,5 x 36 x 1,5 mm	
11	2	2		9599-0080-02	• Saxsprint .....	• Cotter pin .....			
12	2	2		1134-4844-02	Hjulnav .....	Wheel hub .....			
13		2		1134-4558-01	Fälg.....	Rim .....			
13	2			1134-5255-01	Fälg.....	Rim .....			
14		2		9545-0116-00	Däck .....	Tyre .....		16 x 7.50 - 8	
14	2			9545-0126-01	Däck .....	Tyre .....		16 x 6.00 - 8	
15	2	2		9545-0500-00	Ventil .....	Valve .....			
16	6	6		9731-1031-22	Mutter.....	Nut .....			
18	2	2		1134-4796-01	Navkapsel .....	Hub cap.....			
19	2	2		9947-0540-19	Skruv .....	Screw.....			
20	2	2		1134-2471-01	Kil .....	Key .....		L = 58 mm	
21	2	2		1134-0341-01	Bricka .....	Washer.....		20,5 x 36 x 1,5 mm	
22	2	2		9653-0001-04	Spärryttare .....	Lock ring.....			
26	2	2		9699-0042-02	• Planbricka.....	• Flat washer.....		20 x 36 x 3,0 mm	
45	1	1		13-0992-61	Snabbfäste kpl.....	Quick connections.....		Inkl. pos 11,26,46-51	
46	1	1		1134-7465-01	• Fästen kpl, vä+hö.....	• Attachment kit, LH+RH.....		Inkl. pos 50-51	
47	2	2		1137-0077-01	• Låssprint.....	• Locking pin .....			
48	2	2		9548-0026-01	• Glidlager .....	• Bearing.....			
50	2	2		9898-1035-16	•• Skruv .....	•• Screw .....			
51	2	2		9739-1031-22	•• Mutter .....	•• Nut .....			
99				9545-0203-00	Innerslang .....	Inner tube .....		Reservdel/spare part	



Utgåva Issue		Bildnr Picture No		PARK COMPACT 2WD KRAFTUTTAG		PARK COMPACT 2WD POWER TAKE- OFF		Sida Page		
2011- 11		1030H						28		
Pos. Fig.	Antal/Quantity				Art nr Part No	Benämning	Description	Sats Kit	Anmärkning Notes	
	6102 6103 -21									
X	1	1			1134-5548-01	Distans .....	Spacer .....		Inkl. pos 3A- 3B	
	2	1			1134-5109-01	Spännhjularm .....	Tension wheel arm .....			
	3	1			1137-0128-01	Spännrulle kpl.....	Tension roller assy .....			
	3A	1			9549-0019-00	• Kullager .....	• Ball bearing .....			
	3B	1			9651-0040-04	• Låsring .....	• Retaining ring.....			
	4	1			1134-1888-04	Distans .....	Spacer .....			
	5	1			1134-5111-01	Fjäder.....	Spring .....			
	6	1			9699-0056-02	Planbricka.....	Flat washer.....			
	7	1			9739-0831-22	Mutter.....	Nut .....			
	8	1			9997-0855-12	Skruv.....	Screw.....			
	10	1			1137-0004-01	Centrumremskiva kpl.....	Centre pulley assy .....			Inkl. pos 11-12
	11	1			1134-0051-09	• Distans .....	• Spacer.....			
	12	2			9549-0019-00	• Kullager .....	• Ball bearing .....			
	13	1			1134-5112-01	Fjäderfäste.....	Spring attachment.....			
	14	2			9945-0816-16	Skruv.....	Screw.....			
	15	1			1134-5110-01	Hake .....	Hook .....			
	16	2			9893-0616-16	Skruv.....	Screw.....			
	18	1			1134-2018-02	Spännarm.....	Tension arm .....			
	19	1			1134-9027-02	Spännrulle- grå .....	Tension roller- grey .....			
	20	1			1134-9071-01	Drivrem .....	V- belt.....		= 9585-0129-01	
	21	1			9997-1030-16	Skruv.....	Screw.....			
	22	1			9799-1031-02	Mutter.....	Nut .....			
	23	1			1134-4111-01	Bromsarm .....	Brake arm .....			
	24	1			1134-4164-03	Bromsklots .....	Brake pad .....			
	25	1			9897-0825-16	Skruv.....	Screw.....			
	26	1			9747-0831-02	Mutter.....	Lock nut .....			
	27	1			1134-4162-01	Bromsstång .....	Brake rod .....			
	28	1			9675-0008-02	Starlock .....	Locking washer .....			
	29	1			1134-4170-01	Nippel .....	Nipple.....			
	30	1			9699-0025-02	Planbricka.....	Washer.....			
	31	1			9747-0631-02	Låsmutter .....	Lock nut .....			
	32	1			4231-0013-00	Fjäder.....	Spring .....			
	33	1			1134-4231-01	Dragfjäder.....	Spring .....			
	34	1			1134-1565-10	Distans .....	Spacer .....			
	35	1			9997-0860-12	Skruv.....	Screw.....			
	36	1			9699-0056-02	Planbricka.....	Flat washer.....			
	37	1			9739-0831-22	Mutter.....	Nut .....			
	38	1			1134-4163-01	Ansätsskruv.....	Shoulder bolt .....			
	39	1			9731-1031-22	Mutter.....	Nut .....			
	40	1			1134-3958-01	Remstyrning.....	Belt guide .....			
	41	2			9893-0616-16	Skruv.....	Screw.....			
	42	1			1134-0041-03	Hylsa .....	Collar .....			
	43	1			9997-1070-12	Skruv.....	Screw.....			
	44	1			9739-1031-22	Mutter.....	Nut .....			
	45	1			1134-3654-01	Fingerskydd .....	Finger guard.....			
	46	2			9959-0612-16	Skruv.....	Screw.....			
	47	2			9739-0631-22	Mutter.....	Nut .....			
	48	1			9699-0090-02	Planbricka.....	Flat washer.....			
	49	2			9699-0035-02	Planbricka.....	Flat washer.....			



Utgåva Issue 2011-11		Bildnr Picture No 2817		PARK COMPACT 2WD KRAFTUTTAG 1 (Frankrike)		PARK COMPACT 2WD POWER TAKE-OFF 1 (France)		Sida Page 30	
Pos. Fig.	Antal/Quantity				Art nr Part No	Benämning	Description	Sats Kit	Anmärkning Notes
	6102 6103 -31								
	1	1			1134-2018-02	Spännarm .....	Tension arm .....		
	2	1			1134-9027-02	Spännrulle- grå .....	Tension roller- grey .....		
	3	1			1134-9071-01	Drivrem .....	V- belt .....		= 9585-0129-01
	4	1			9997-1030-16	Skruv .....	Screw .....		
	5	1			9799-1031-02	Mutter .....	Nut .....		
X	6	1			1134-4162-02	Bromsstång .....	Brake rod .....		
	7	1			9675-0008-02	Starlock .....	Locking washer .....		
	8	1			1134-4170-01	Nippel .....	Nipple .....		
	9	1			1134-4111-01	Bromsarm .....	Brake arm .....		
X	10	1			1137-0389-01	Bromsklots .....	Brake pad .....		
	11	2			9699-0035-02	Planbricka .....	Flat washer .....		
	12	1			9897-0825-16	Skruv .....	Screw .....		
	13	1			9747-0831-02	Mutter .....	Lock nut .....		
	14	1			9699-0090-02	Planbricka .....	Flat washer .....		
	15	1			9699-0025-02	Planbricka .....	Washer .....		
	16	1			9747-0631-02	Låsmutter .....	Lock nut .....		
	17	1			4231-0013-00	Fjäder .....	Spring .....		
	18	1			1134-4231-01	Dragfjäder .....	Spring .....		
	19	1			1134-1565-10	Distans .....	Spacer .....		
	20	1			9997-0860-12	Skruv .....	Screw .....		
	21	1			9699-0056-02	Planbricka .....	Flat washer .....		
	22	1			9739-0831-22	Mutter .....	Nut .....		
	23	1			1134-4163-01	Ansatsskruv .....	Shoulder bolt .....		
	24	1			9699-0035-02	Planbricka .....	Flat washer .....		
X	25	1			9731-1031-22	Mutter .....	Nut .....		
	26	1			1134-3958-02	Remstyrning .....	Belt guide .....		
	27	2			9893-0616-16	Skruv .....	Screw .....		
	28	1			1134-0041-03	Hylsa .....	Collar .....		
	29	1			9997-1070-12	Skruv .....	Screw .....		
	30	1			9739-1031-22	Mutter .....	Nut .....		





Utgåva Issue 2011- 11		Bildnr Picture No 2818		PARK COMPACT 2WD KRAFTUTTAG 2 (Frankrike)		PARK COMPACT 2WD POWER TAKE- OFF 2 (France)		Sida Page 32	
Pos. Fig.	Antal/Quantity				Art nr Part No	Benämning	Description	Sats Kit	Anmärkning Notes
	6102 6103 -31								
	1				1134- 1730- 01	Spännhjularm .....	Tension wheel arm .....		
	2				1134- 3663- 01	Spännrulle .....	Tension wheel .....		
	3				1134- 1888- 05	Distans .....	Spacer .....		
	4				1134- 1893- 01	Fjäderfäste .....	Spring attachment .....		
	5				9739- 1031- 22	Mutter .....	Nut .....		
	6				9997- 1060- 12	Skruv .....	Screw .....		
	7				9699- 0035- 02	Planbricka .....	Flat washer .....		
	8				1134- 5713- 01	Dragfjäder .....	Spring .....		
	9				1134- 9098- 01	Drivrem .....	V- belt .....		
	10				1137- 0004- 01	Centrumremskiva kpl. ....	Centre pulley assy .....		= 9585- 0148- 01 Inkl. pos 11- 12
	11				1134- 0051- 09	• Distans .....	• Spacer .....		
	12	2			9549- 0019- 00	• Kullager .....	• Ball bearing .....		
	13	1			1134- 5548- 01	Distans .....	Spacer .....		
	14	1			9699- 0035- 02	Planbricka .....	Flat washer .....		
	15	1			1134- 0222- 00	Bricka .....	Washer .....		
	17	1			1134- 5663- 01	Axel .....	Shaft .....		
	18	1			1134- 0052- 00	Lagerdistans .....	Bearing spacer .....		
	19	1			1137- 0004- 01	Centrumremskiva kpl. ....	Centre pulley assy .....		Inkl. pos 20- 21
	20	1			1134- 0051- 09	• Distans .....	• Spacer .....		
	21	2			9549- 0019- 00	• Kullager .....	• Ball bearing .....		
	22	1			9997- 1011- 06	Skruv .....	Screw .....		
	23	2			9699- 0030- 02	Planbricka .....	Flat washer .....		
	24	1			9739- 1031- 22	Mutter .....	Nut .....		
X	28	1			1137- 0386- 01	Spännarm .....	Tension arm .....		
	29	1			1134- 5823- 01	Spännrulle .....	Tension roller .....		
	30	1			9997- 1050- 16	Skruv .....	Screw .....		
	31	1			9739- 1031- 22	Mutter .....	Nut .....		
	32	1			1134- 6314- 01	Spännarmsfäste .....	Attachment .....		
	33	1			9997- 0645- 12	Skruv .....	Screw .....		
	34	1			9747- 0631- 02	Låsmutter .....	Lock nut .....		
	35	1			1134- 5824- 01	Fjäder .....	Spring .....		
X	40	1			1137- 0353- 01	Bricka (plast) .....	Washer (plastic) .....		26x50x2 17.1x25x5 17x30x3
	41	1			1134- 0052- 00	Lagerdistans .....	Bearing spacer .....		
	42	1			9699- 0104- 02	Bricka .....	Washer .....		
X	43	1			1137- 0419- 01	Fjäderfäste .....	Bracket .....		
	44	2			9945- 0816- 16	Skruv .....	Screw .....		
X	50	1			1137- 0395- 01	Fäste .....	Bracket .....		
	51	2			9997- 1020- 16	Skruv .....	Screw .....		
	52	2			9739- 1031- 22	Mutter .....	Nut .....		