

Genuine Spare Parts

www.stiga.com

PARK Consumer High 4WD Model Year 2011/2012

includes:

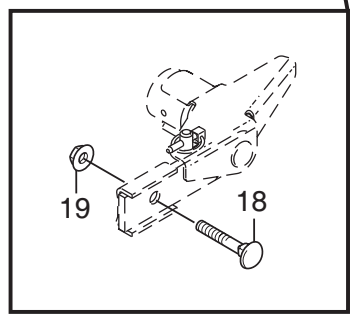
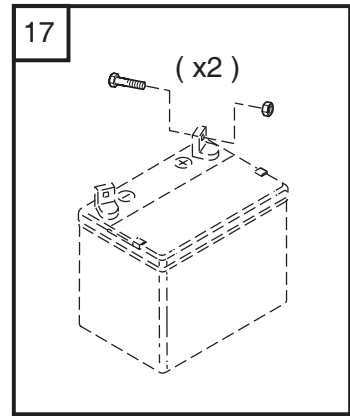
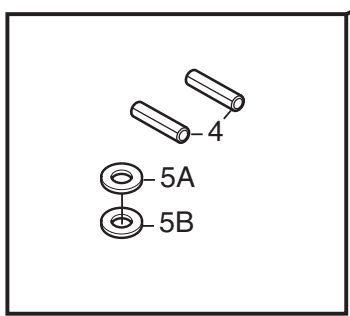
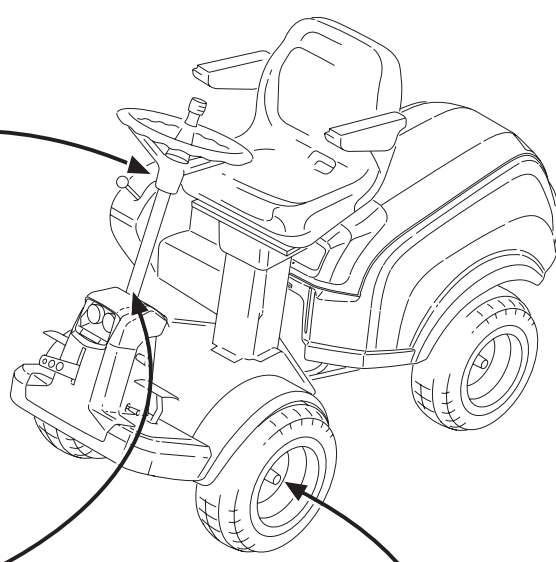
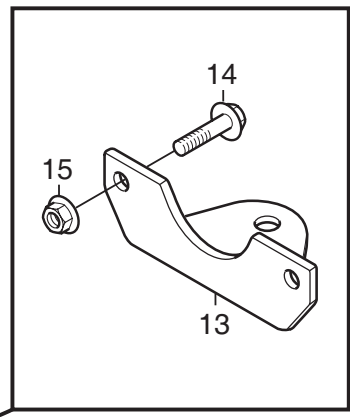
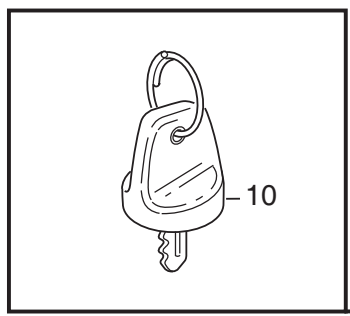
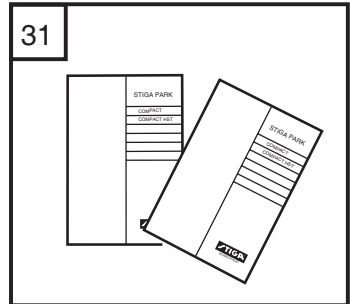
- 13-6377-11 Park Prestige
- 13-6377-31 Park Prestige (FR)
- 13-6175-26 Park Power
- 13-6378-11 Park Residence
- 13-6378-31 Park Residence (FR)
- 13-6312-11 Park Royal
- 13-6312-31 Park Royal (FR)

- Use GLOBAL GARDEN PRODUCT Genuine Spare Parts specified in the parts list for repair and/or replacement.
- The contents described in the parts list may change due to improvement.
- The drawings of the spare parts are only indicative and might not represent the part in question exactly.
- The indications "right" - "left" - "front" - "rear" refer to the position of the operator when using the machine.
- When placing orders of parts for repair and/or replacement, make sure that the illustrated parts list is the one applying to the machine's year of manufacture, as shown on the identification plate attached to the machine.

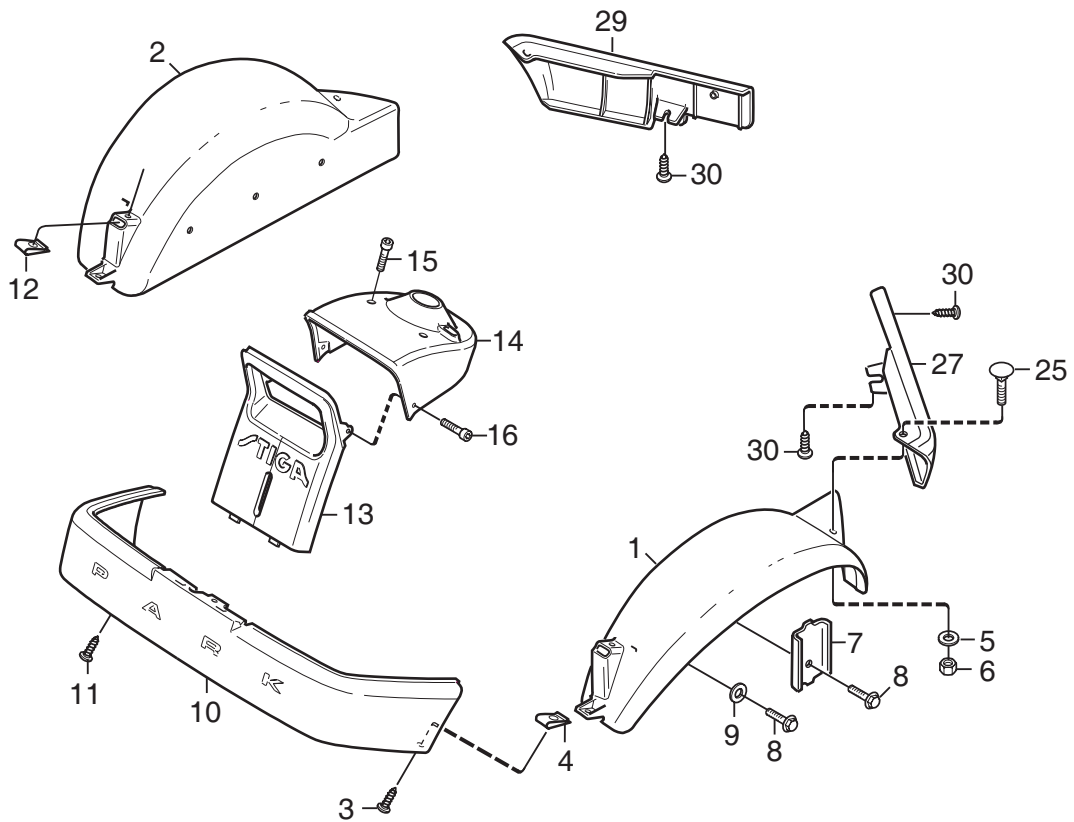
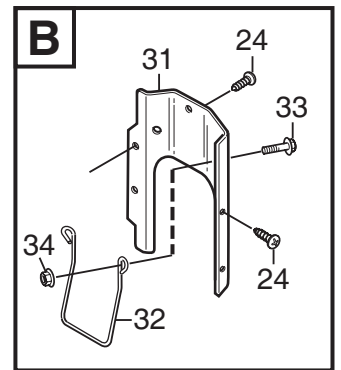
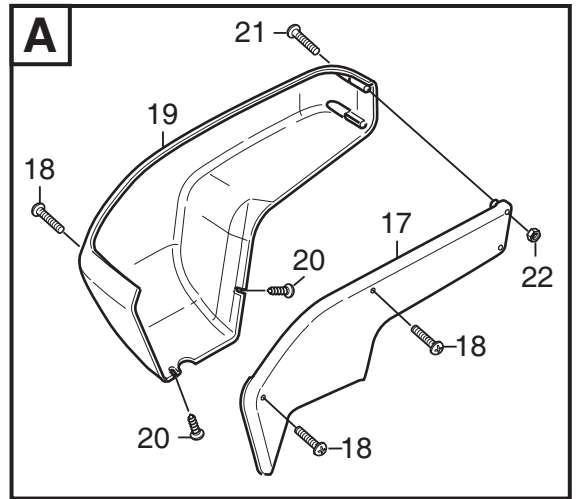
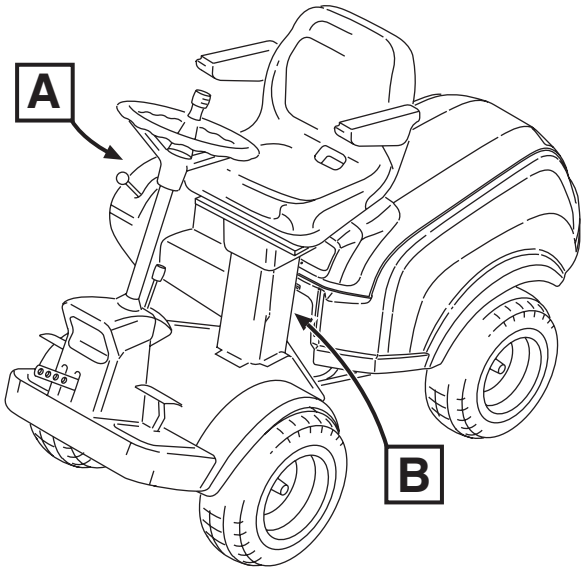
COPYRIGHT by GLOBAL GARDEN PRODUCTS

All rights reserved. No part of this material may be reproduced or transmitted, in any form or by any means, electronic or mechanical, including photocopying, recording or by any information storage and retrieval system, without permission in writing from GLOBAL GARDEN PRODUCTS.

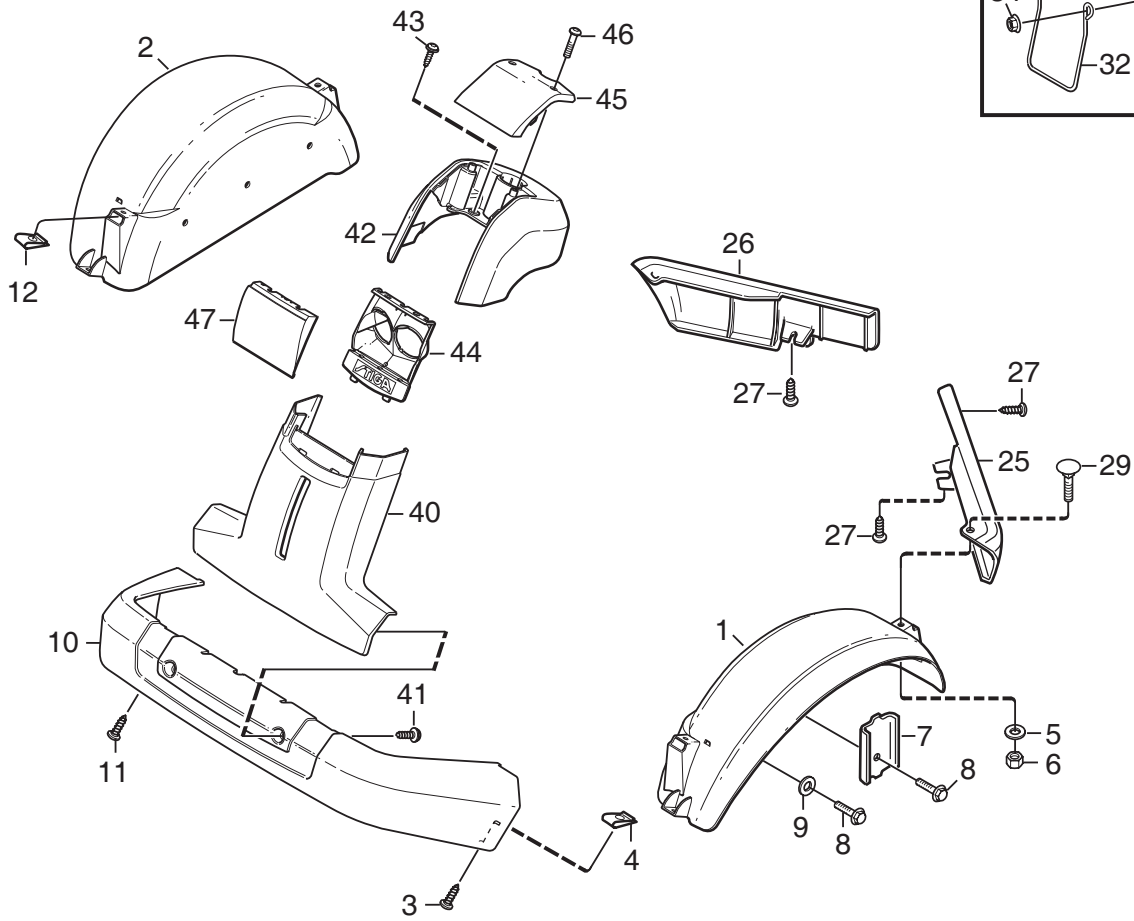
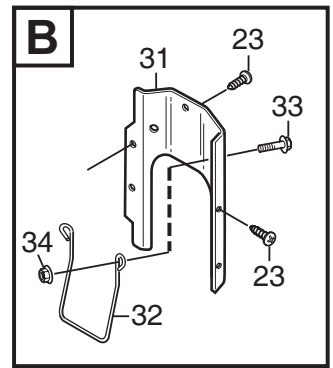
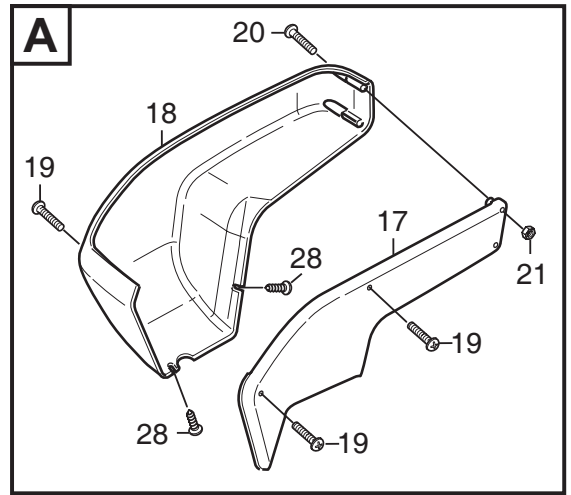
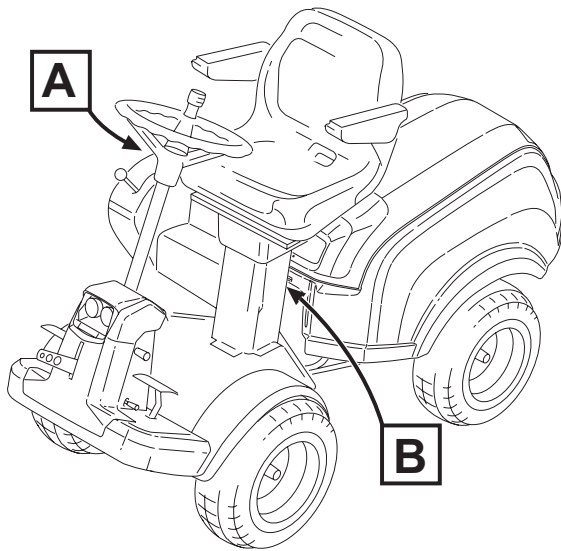




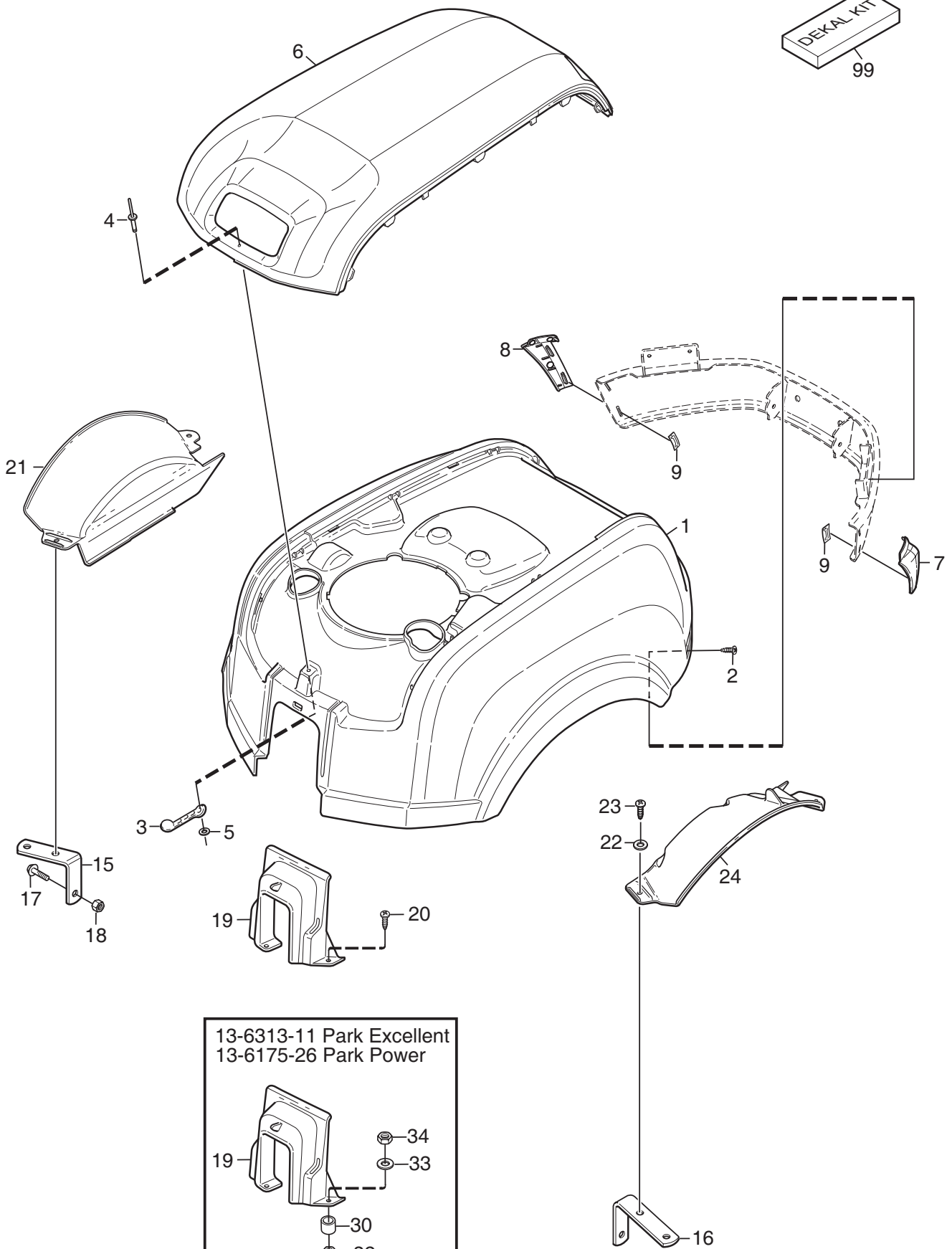
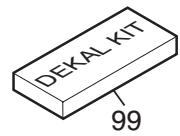
Utgåva Issue		Bildnr Picture No		PARK 4WD MONTERINGSDETALJER		PARK 4WD ASSEMBLY PARTS		Sida Page	
2011-11		2014E						110	
Pos. Fig.	Antal/Quantity				Art nr Part No	Benämning	Description	Sats Kit	Anmärkning Notes
	6377 6378 6312	6377 6378 6312 FR	6175 -26						
4	2	2	2		9595-0262-00	Spännstift	Locating pin		
5A	1	1	1		9699-0103-02	Shims	Flat washer		0.5 mm
5B	1	1	1		9699-0114-02	Shims	Flat washer		1.0 mm
10	2	2	2		1134-4734-01	Tändningsnyckel	Ignition key		
13	1	1	1		1134-5512-01	Dragplåt	Towing plate		
14	2	2	2		9959-0820-16	Skruv	Screw		
15	2	2	2		9739-0831-22	Mutter	Nut		
17	1	1	1		1134-6113-02	Batteriskruvar	Battery screws		
18	2	2	2		9898-1035-16	Skruv	Screw		
19	2	2	2		9739-1031-22	Mutter	Nut		
X 31	1				8211-0003-11	Bruksanvisning	Owner's manual		
X 31			1		8211-0039-00	Bruksanvisning	Owner's manual		Park Power
X 31		1			8211-0052-10	Bruksanvisning	Owner's manual		France
X 31	1		1		8211-0604-10	Monteringsanvisning	Assy instructions		
X 31	1		1		8211-0701-10	Säkerhetsföreskrifter	Safety regulations		
X 31	1	1	1		8211-0901-10	Servicebok	Service book		
X 31	1	1	1		8211-0960-10	Garantikort	Warranty card		



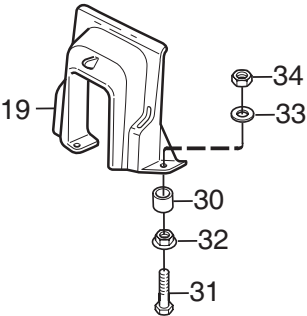
Utgåva Issue 2011-11		Bildnr Picture No 2015C		PARK 4WD POWER KAROSS-FRAM		PARK 4WD POWER BODY WORK-FRONT		Sida Page 112	
Pos. Fig.	Antal/Quantity				Art nr Part No	Benämning	Description	Sats Kit	Anmärkning Notes
	6175 -26								
1	1				1134-3943-01	Skärm- vä, gul	Mud guard- LH, yell.....		
2	1				1134-3943-02	Skärm- hö, gul	Mud guard- RH, yell.		
3	2				9893-0616-16	Skruv	Screw		
4	4				1134-4176-01	Clips	Clips		
5	2				9699-0060-02	Planbricka.....	Flat washer.....		
6	2				9747-0631-02	Låsmutter	Lock nut		
7	2				1137-0088-01	Stödplåt	Support plate		
8	6				9945-0816-16	Skruv	Screw		
9	4				9699-0056-02	Planbricka.....	Flat washer.....		
10	1				1134-4220-02	Stötfångare- grå.....	Bumper- grey		
11	6				9893-0616-16	Skruv	Screw		
12	2				1134-4176-01	Clips	Clips		
13	1				1134-4216-05	Frontdekor- gul	Front plate- yellow.....		
14	1				1134-3984-03	Frontdekor övre- gul	Front plate upper- yel		
15	2				9946-0525-16	Skruv	Screw		
16	2				9840-8013-16	Skruv	Screw		
17	1				1134-4360-01	Kåpa- inre	Cover- inner		
18	3				9946-0525-16	Skruv	Screw		
19	1				1134-3979-01	Kåpa- yttre	Cover- outer		
20	2				9840-8013-16	Skruv	Screw		
21	2				9950-0570-12	Skruv	Screw		
22	2				9747-0531-02	Mutter	Nut		
24	4				9893-0616-16	Skruv	Screw		
25	2				9897-0616-16	Vagnsbult	Carriage bolt		
27	1				1134-3970-05	Kantlist- vä, grå.....	Moulding- LH, grey		
29	1				1134-3970-02	Kantlist- hö, grå	Moulding- RH, grey		
30	4				9893-0616-16	Skruv	Screw		
31	1				1134-6461-01	Bakstycke	Rear plate.....		
32	1				1134-6460-01	Skyddsbygel	Protective loop		
33	2				9959-0820-16	Skruv	Screw		
34	2				9739-0831-22	Mutter.....	Nut		



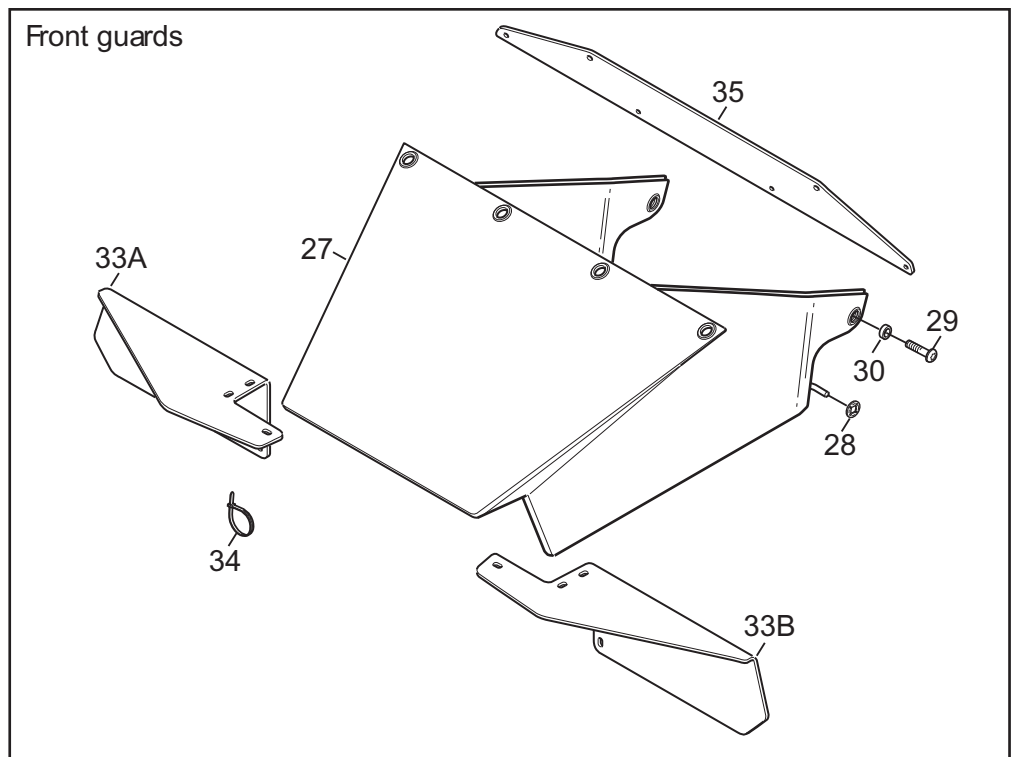
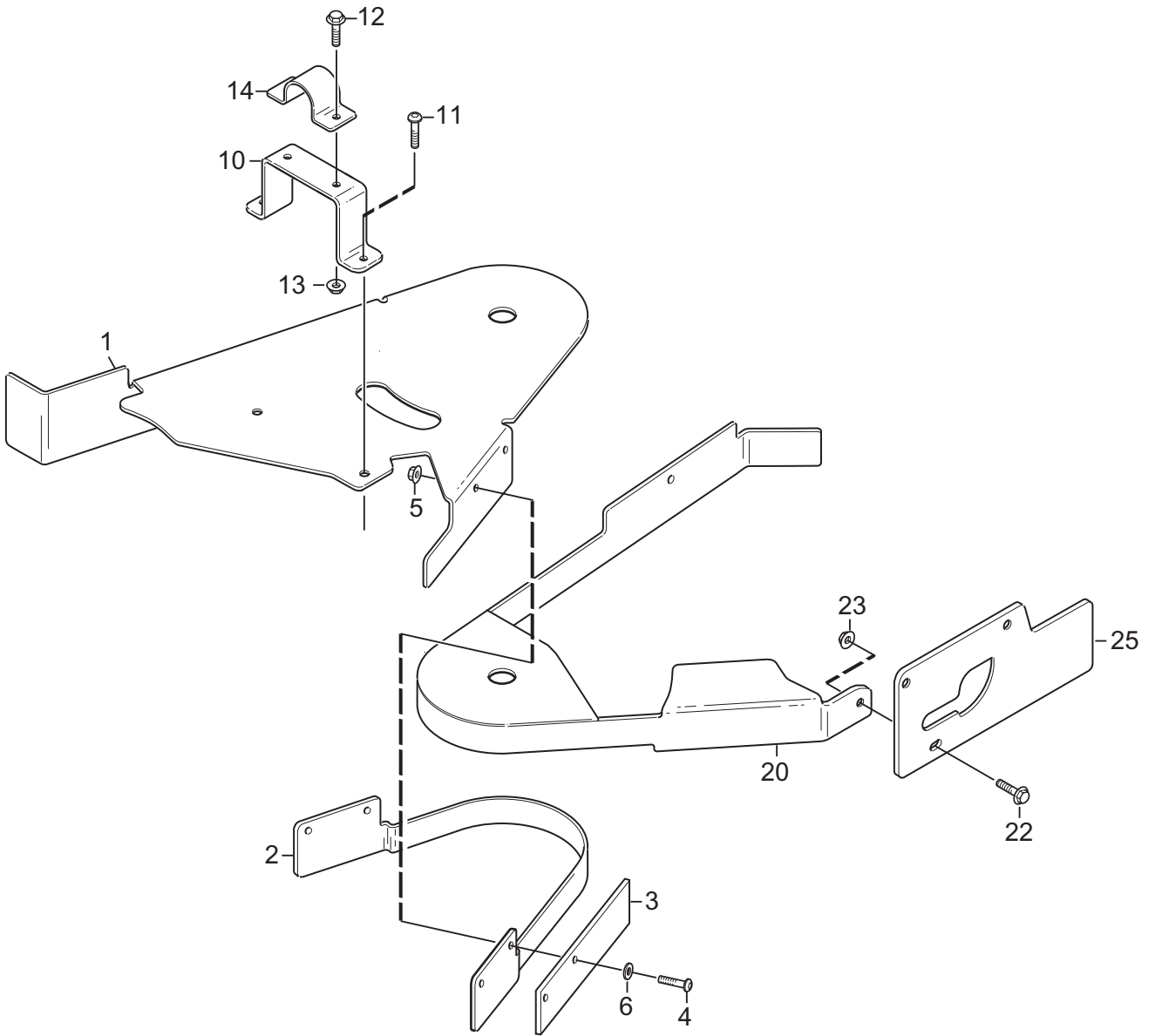
Utgåva Issue 2011- 11		Bildnr Picture No 2820A		PARK 4WD PRESTIGE- RESIDENCE- ROYAL KAROSS- FRAM		PARK 4WD PRESTIGE- RESIDENCE- ROYAL BODY WORK- FRONT		Sida Page 114	
Pos. Fig.	Antal/Quantity				Art nr Part No	Benämning	Description	Sats Kit	Anmärkning Notes
	6377	6378	6312						
1	1				1137- 0048- 01	Skärm- vä, grå	Mud guard- LH, grey		
2	1				1137- 0048- 02	Skärm- hö, grå	Mud guard- RH, grey		
3	2				9893- 0616- 16	Skruv	Screw		
4	2				1134- 4176- 01	Clips	Clips		
5	2				9699- 0060- 02	Planbricka	Flat washer		
6	2				9747- 0631- 02	Låsmutter	Lock nut		
7	2				1137- 0088- 01	Stödplåt	Support plate		
8	6				9945- 0816- 16	Skruv	Screw		
9	4				9699- 0056- 02	Planbricka	Flat washer		
10	1				1137- 0049- 01	Stötfångare- grå	Bumper- grey		
11	6				9893- 0616- 16	Skruv	Screw		
12	2				1134- 4176- 01	Clips	Clips		
17	1				1134- 4360- 01	Kåpa- inre	Cover- inner		
18	1				1134- 3979- 01	Kåpa- yttre	Cover- outer		
19	3				9946- 0525- 16	Skruv	Screw		
20	2				9950- 0570- 12	Skruv	Screw		
21	2				9747- 0531- 02	Mutter	Nut		
23	4				9893- 0616- 16	Skruv	Screw		
25	1				1134- 3970- 05	Kantlist- vä, grå	Moulding- LH, grey		
26	1				1134- 3970- 02	Kantlist- hö, grå	Moulding- RH, grey		
27	4				9893- 0616- 16	Skruv	Screw		
28	2				9840- 8013- 16	Skruv	Screw		
29	2				9897- 0616- 16	Vagnsbult	Carriage bolt		
31	1				1134- 6461- 01	Bakstycke	Rear plate		
32	1				1134- 6460- 01	Skyddsbygel	Protective loop		
33	2				9959- 0820- 16	Skruv	Screw		
34	2				9739- 0831- 22	Mutter	Nut		
40	1				1137- 0050- 01	Frontkåpa- nedre	Front panel- lower		
41	2				9838- 9516- 12	Skruv	Screw		
42	1				1137- 0051- 01	Frontkåpa- övre	Front panel- upper		
43	2				9946- 0525- 16	Skruv	Screw		
44	1				1137- 0052- 01	Lamphållare	Lamp holder		
45	1				1137- 0053- 01	Toppkåpa	Top panel		
46	2				9838- 9516- 12	Skruv	Screw		
47	1				1137- 0054- 01	Lampglas	Lamp glass		



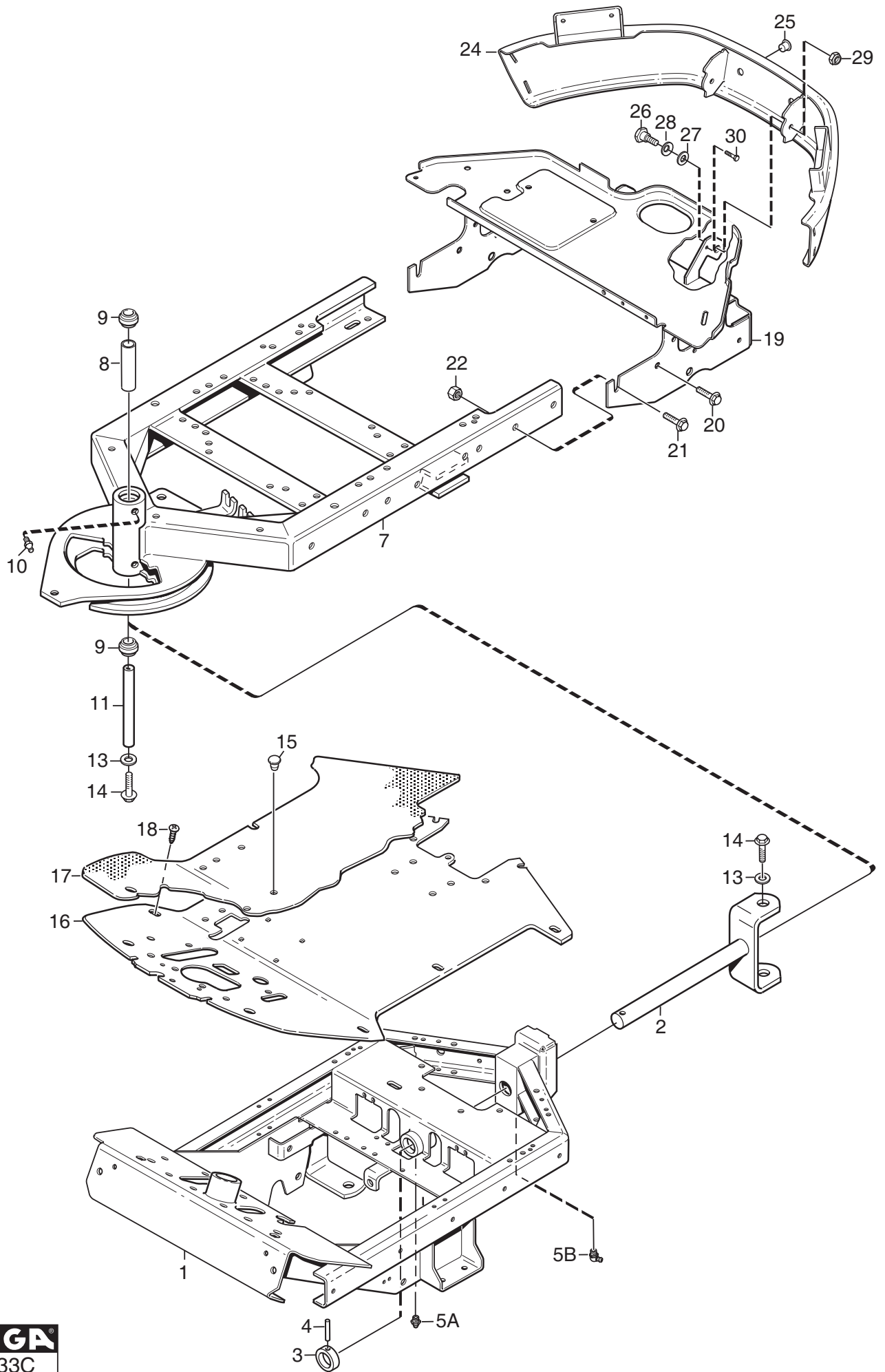
13-6313-11 Park Excellent
13-6175-26 Park Power



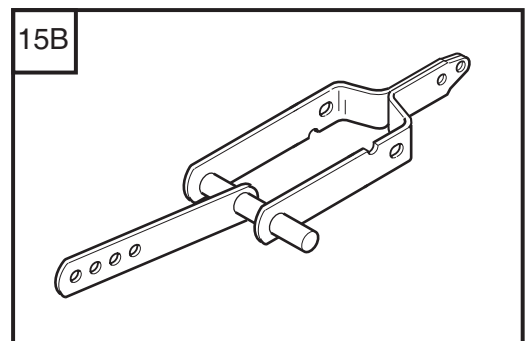
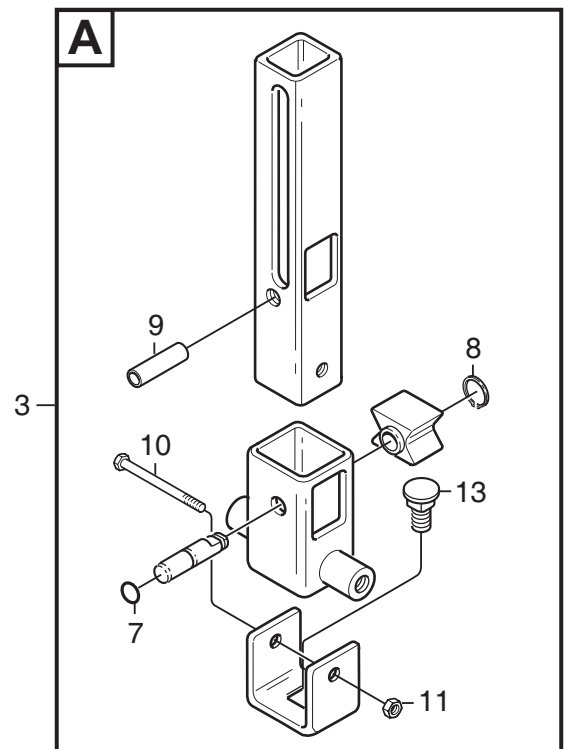
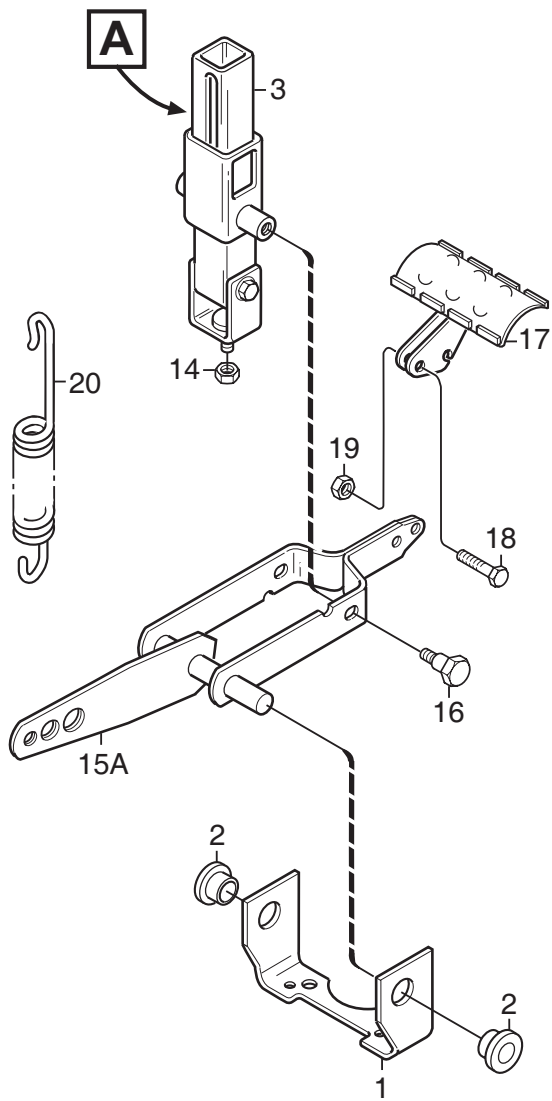
Utgåva Issue 2011-11		Bildnr Picture No 2016C		PARK 4WD KAROSS- BAK		PARK 4WD BODY WORK- REAR		Sida Page 116	
Pos. Fig.	Antal/Quantity				Art nr Part No	Benämning	Description	Sats Kit	Anmärkning Notes
	6377	6175 -26	6378	6312					
1	1	1	1	1	1134-6025-01	Motorhuv.....	Engine hood.....		
2	4	4	4	4	9893-0616-16	Skruv.....	Screw.....		
3	1	1	1	1	1134-9028-01	Gummistropp- sats.....	Rubber strap kit.....		Sats 3 st/kit of 3
4	1	1	1	1	9632-0513-00	Popnit.....	Pop rivet.....		
5	1	1	1	1	9699-0120-02	Bricka.....	Washer.....		
6	1	1	1	1	1134-6026-01	Motorlucka.....	Engine cover.....		
7	1	1	1	1	1134-6027-01	Ändavslut- vä.....	Bumper end- LH.....		
8	1	1	1	1	1134-6027-02	Ändavslut- hö.....	Bumper end- RH.....		
9	4	4	4	4	1134-6310-01	Clips.....	Clips.....		
15	1	1		1	1134-4012-03	Stödkonsol- hö.....	Support- RH.....		
16	1	1		1	1134-4012-04	Stödkonsol- vä.....	Support- LH.....		
17	1	1		1	9959-0820-16	Skruv.....	Screw.....		
18	1	1		1	9739-0831-22	Mutter.....	Nut.....		
19	1	1	1	1	1134-6241-01	Huvstöd.....	Hood support.....		
20	3		3	3	9893-0616-16	Skruv.....	Screw.....		
21	1	1		1	1134-4800-01	Innerskärm- hö.....	Inner mud guard- RH.....		
22	4	4		4	9699-0060-02	Planbricka.....	Flat washer.....		
23	4	4		4	9893-0616-16	Skruv.....	Screw.....		
24	1	1		1	1134-4801-01	Innerskärm- vä.....	Inner mud guard- LH.....		
30		3			1137-0020-01	Distans.....	Spacer.....		
31		3			9997-0535-16	Skruv.....	Screw.....		
32		3			9739-0531-22	Mutter.....	Nut.....		
33		3			9699-0099-02	Bricka.....	Washer.....		
34		3			9747-0531-02	Mutter.....	Nut.....		
99				1	1134-6443-02	Dekalsats.....	Decal kit.....		Royal
99		1			1134-6443-06	Dekalsats.....	Decal kit.....		Power
99	1				1134-6443-07	Dekalsats.....	Decal kit.....		Prestige
99			1		1134-6443-08	Dekalsats.....	Decal kit.....		Residence



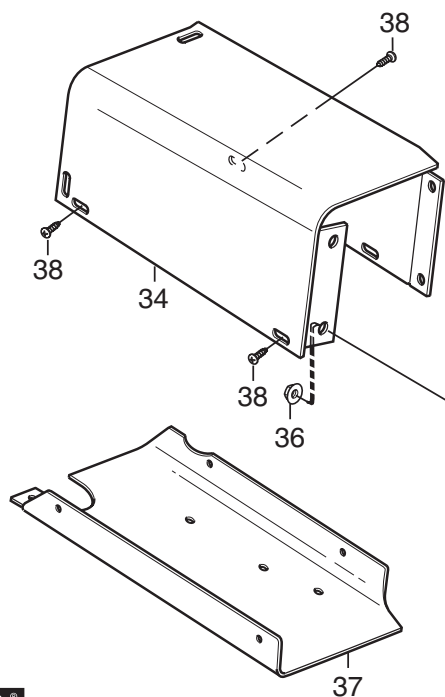
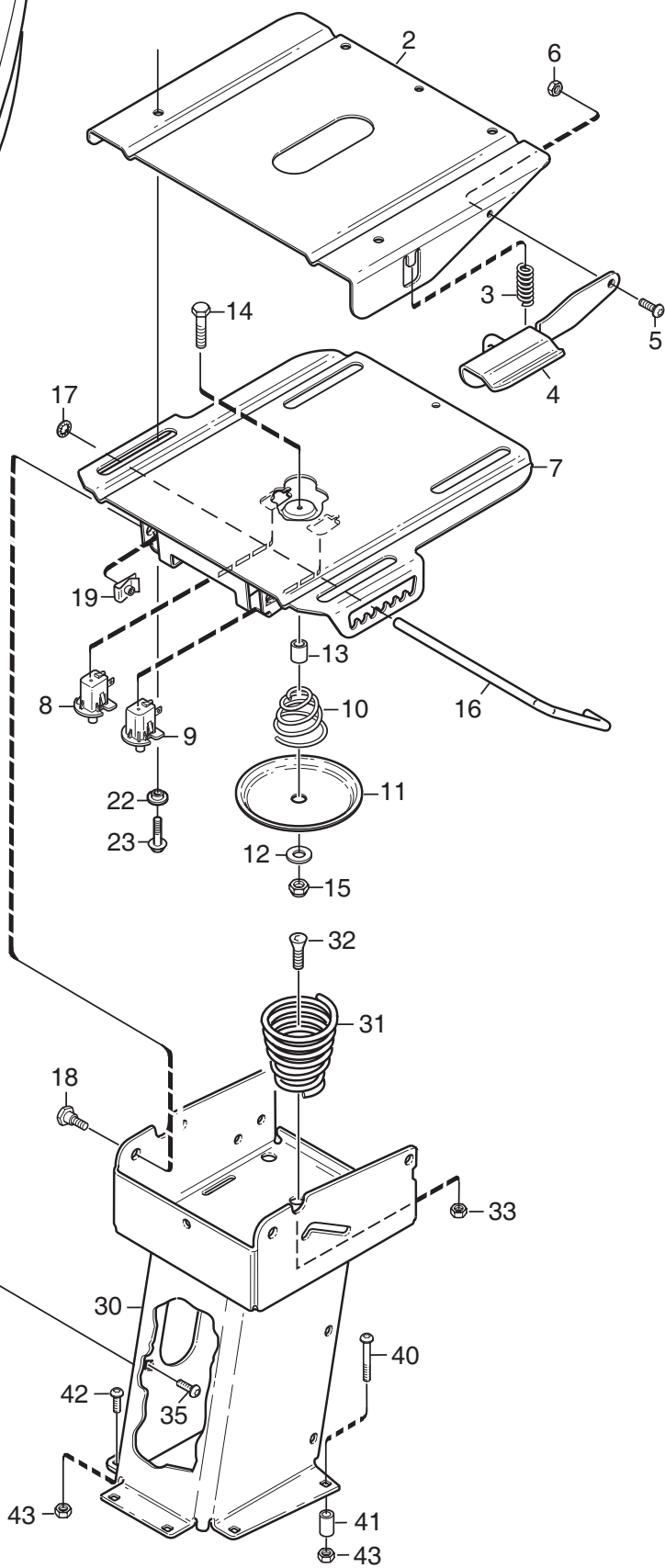
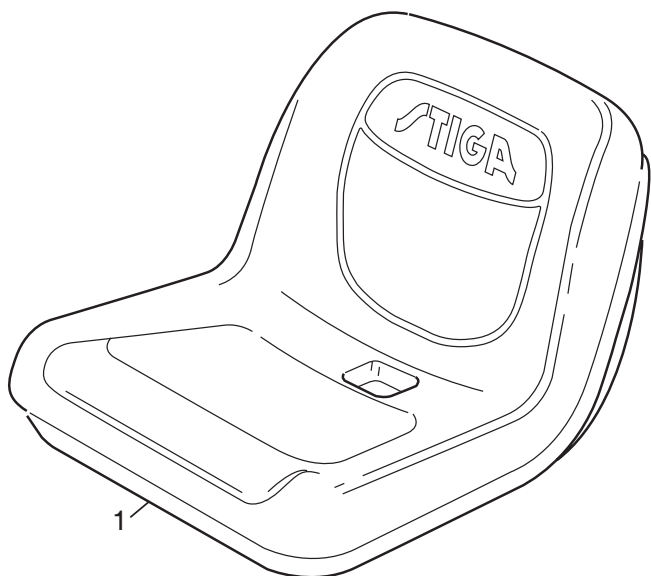
Utgåva Issue 2011-11		Bildnr Picture No 2823		PARK 4WD KAROSS (Frankrike)		PARK 4WD BODY WORK (France)		Sida Page 118	
Pos. Fig.	Antal/Quantity				Art nr Part No	Benämning	Description	Sats Kit	Anmärkning Notes
	6377	6378	6312	FR					
X	1	1			1137-0352-01	Skydd	Protection		
X	2	1			1137-0354-01	Skydd	Protection		
X	3	2			1137-0355-01	Gummiduk.....	Rubber sheet.....		
	4	4			9893-0616-16	Skruv.....	Screw.....		
	5	4			9739-0631-22	Mutter.....	Nut.....		
	6	4			9699-0025-02	Planbricka.....	Washer.....		
X	10	1			1137-0356-01	Bygel	Loop.....		
	11	2			9893-0616-16	Skruv.....	Screw.....		
	12	2			9959-0620-16	Skruv.....	Screw.....		
	13	2			9739-0631-22	Mutter.....	Nut.....		
X	14	1			1137-0357-01	Överfall.....	Clamp.....		
X	20	1			1137-0391-01	Skydd	Protection		
	21	1			9893-0616-16	Skruv.....	Screw.....		
	22	1			9959-0620-16	Skruv.....	Screw.....		
	23	1			9739-0631-22	Mutter.....	Nut.....		
X	25	1			1137-0393-01	Skyddsplåt.....	Protection plate.....		
X	27	1			1137-0363-01	Skydd	Protection		
	28	2			9675-0009-02	Starlock.....	Starlock.....		
	29	6			9893-0616-16	Skruv.....	Screw.....		
	30	6			1134-5114-01	Distans	Spacer.....		
X	33A	1			1137-0366-01	Skydd- hö	Protection- RH		
X	33B	1			1137-0366-02	Skydd- vä.....	Protection- LH.....		
	34	8			9579-0003-00	Buntband.....	Cable holder.....		
X	35	1			1137-0414-01	Fäste.....	Bracket.....		



Utgåva Issue		Bildnr Picture No		PARK 4WD RAM		PARK 4WD FRAME		Sida Page	
2011-11		2033C						120	
Pos. Fig.	Antal/Quantity				Art nr Part No	Benämning	Description	Sats Kit	Anmärkning Notes
	6377 6175 -26	6378 6312	6377 6378 6312 FR						
X 1	1	1			1137-0100-01	Ram-främre	Frame-front		France Rak/straight 90°
2	1	1			1137-0390-01	Ram-främre	Frame-front		
3	1	1			1134-3963-02	• Midjegaffel	• Clevis		
4	1	1			1134-0031-00	• Ledaxelstopp	• Pivot shaft stop		
5A	1	1			9595-0262-00	• Spännstift	• Locating pin		
5B	1	1			9501-0500-00	• Smörjnippel	• Grease joint		
7	1	1			9501-0504-01	• Smörjnippel	• Grease joint		
8	1	1			1134-6466-01	Ram-bakre	Frame-rear		
9	2	2			1134-5705-01	• Distans	• Spacer		
10	2	2			9547-0001-00	• Ledlager	• Bearing		
11	1	1			9501-0500-00	• Smörjnippel	• Grease joint		
13	2	2			1134-5988-01	Centrumaxel	Centre shaft		
14	2	2			9699-0035-02	Planbricka	Flat washer		
15	2	2			9959-1025-16	Skruv	Screw		
16	2	2			9403-0048-70	Täckpropp	Plug		
17	1	1			1134-6586-01	Durk	Floor plate		
18	1	1			1134-6372-04	Durkmatta	Floor mat		
19	2	2			9893-0616-16	Skruv	Screw		
20	1	1			1134-5944-01	Tankhylla	Tank shelf		
21	2	2			9945-0816-16	Skruv	Screw		
22	2	2			9959-0820-16	Skruv	Screw		
24	2	2			9739-0831-22	Mutter	Nut		
25	1	1			1134-5676-01	Stötfångare	Bumper		
26	2	2			1134-4100-01	Täckpropp	Plug		
27	2	2			1134-0240-00	Ansatsskruv	Shoulder screw		
28	2	2			1134-4242-01	Distansbricka	Spacer washer		
29	2	2			9665-0002-00	Brickfjäder	Bowed washer		
30	2	2			9747-0831-02	Mutter	Lock nut		
	2	2			9943-0516-16	Skruv	Screw		

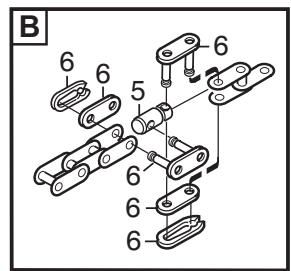
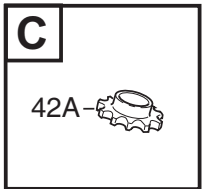
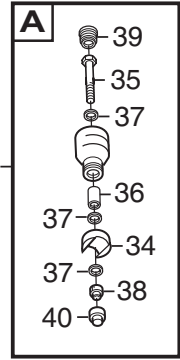
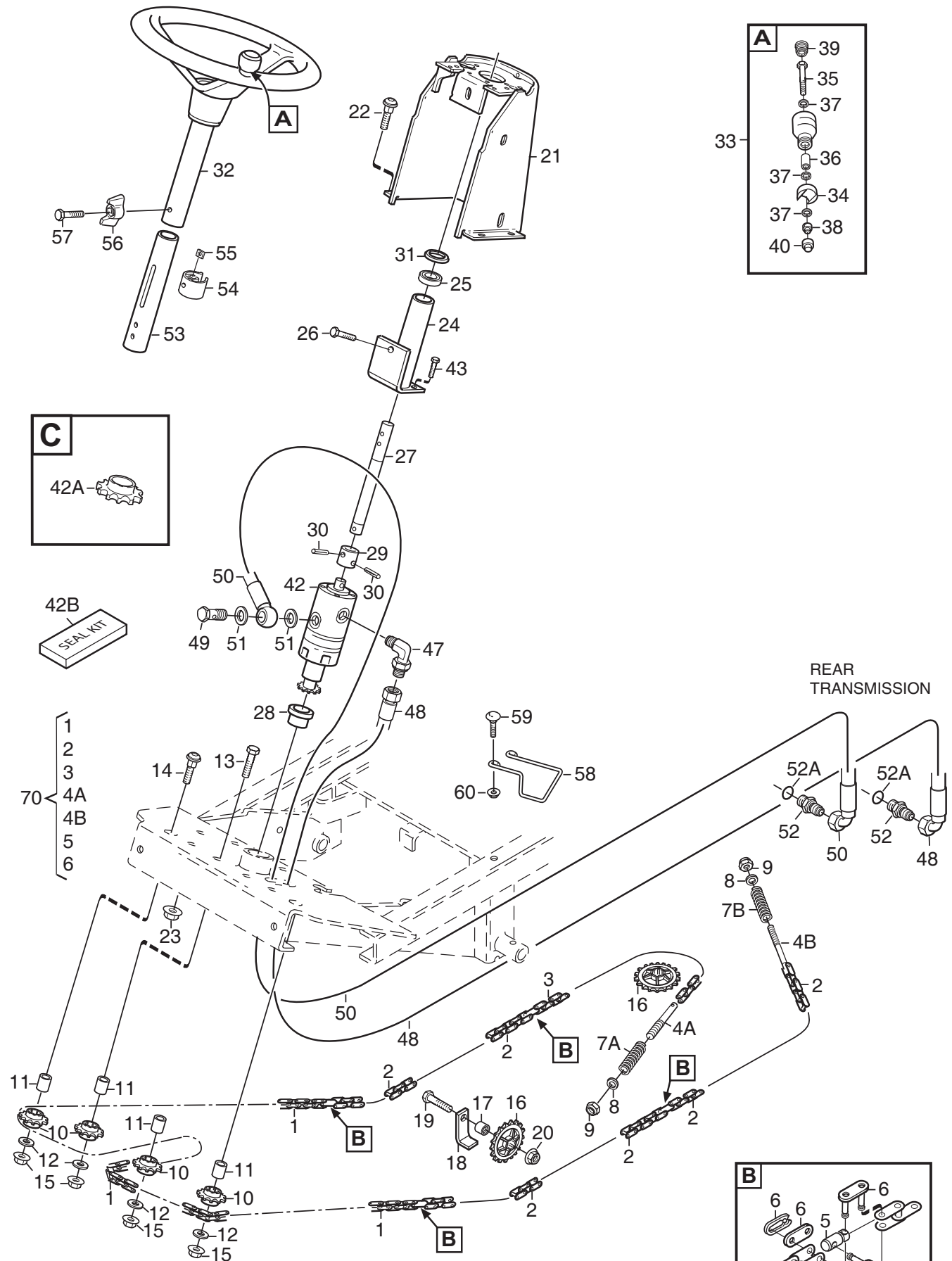


Utgåva Issue		Bildnr Picture No		PARK 4WD PEDALLYFT		PARK 4WD PEDAL LIFT		Sida Page	
2011-11		1023E						122	
Pos. Fig.	Antal/Quantity				Art nr Part No	Benämning	Description	Sats Kit	Anmärkning Notes
	6377 6378 6312	6175 -26							
1	1	1			1134-4117-01 Fäste	Bracket			
2	2	2			1134-2684-01 Lager	Bearing			
3	1	1			1134-4945-01 Lyftspärr kpl	Lift catch assy			
7	1	1			9404-0027-01 • O-ring	• O-ring			
8	1	1			9650-0039-04 • Seegersäkring	• Lock ring			
9	1	1			9595-0276-01 • Spännstift	• Locating pin			
10	1	1			9997-0640-12 • Skruv	• Screw			
11	1	1			9747-0631-02 • Låsmutter	• Lock nut			
13	1	1			9897-0820-16 • Skruv	• Screw			
14	1	1			9747-0831-02 Mutter	Lock nut			
15A	1				1137-0109-01 Lyftarm	Lift arm			
15B		1			1134-4860-01 Lyftgaffel	Lift fork			
16	2	2			1134-0240-00 Ansattsskruv	Shoulder screw			
17	1	1			1134-4938-01 Lyftpedal	Lift pedal			
18	2	2			9997-0625-16 Skruv	Screw			
19	2	2			9739-0631-22 Mutter	Nut			
20	1	1			4231-0013-00 Fjäder	Spring			

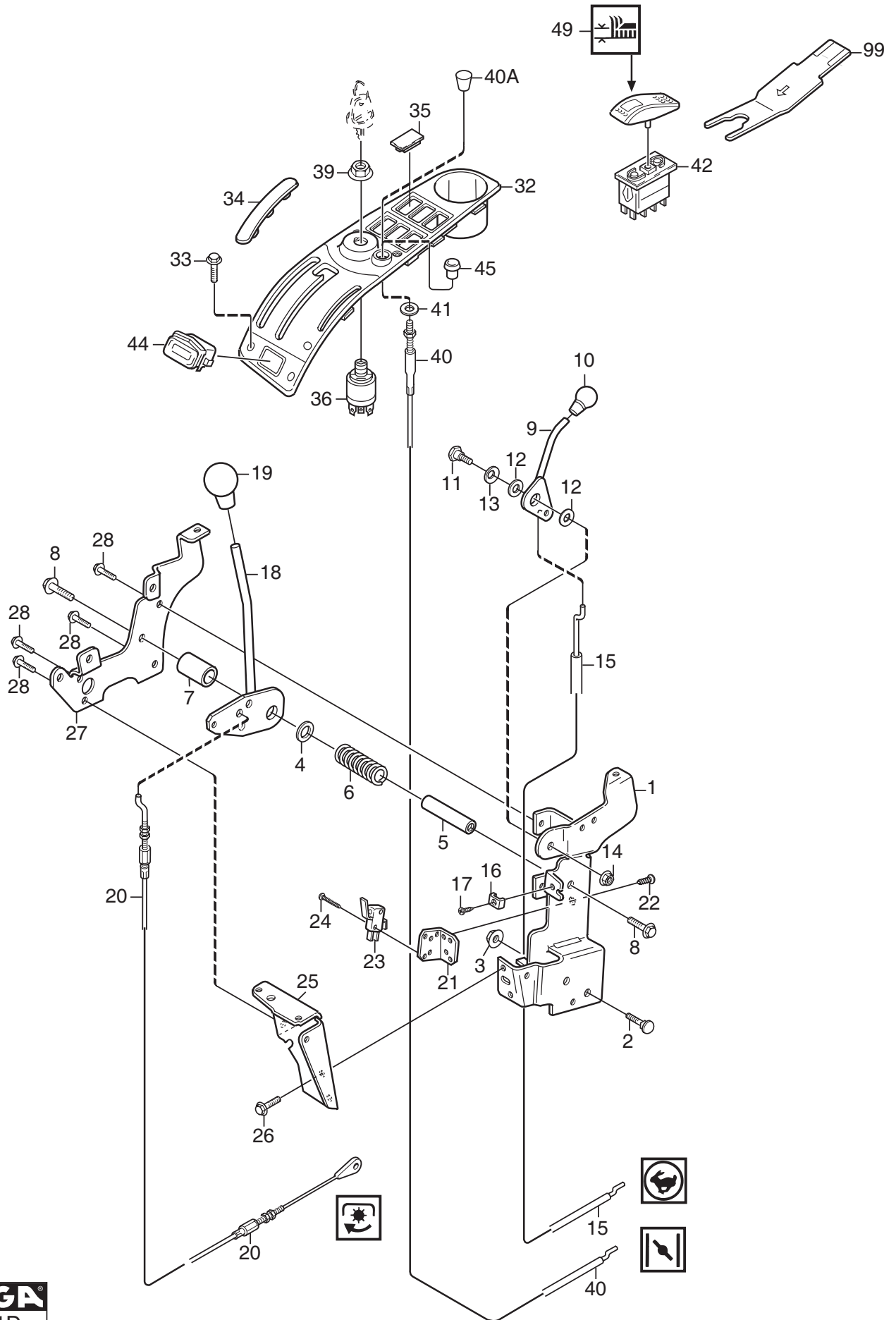


Utgåva Issue		Bildnr Picture No		PARK 4WD SITS		PARK 4WD SEAT		Sida Page	
2011- 11		2019B						124	
Pos. Fig.	Antal/Quantity			Art nr Part No	Benämning	Description	Sats Kit	Anmärkning Notes	
	6377 6378 6312	6175 -26							
1	1	1		1134-6444-01	Sits	Seat			
2	1	1		1134-6090-01	Glidplatta	Slide plate			
3	1	1		1134-3262-01	Tryckfjäder	Compression spring			
4	1	1		1134-6073-01	Handtag	Handle			
5	1	1		9893-0616-16	Skruv	Screw			
6	1	1		9747-0631-02	Låsmutter	Lock nut			
7	1	1		1134-6068-01	Glidplatta- undre	Slide plate-lower			
8	1	1		1134-3156-01	Brytare (svart)	Switch (black)			
9	1	1		1134-3156-02	Brytare (grå)	Switch (grey)			
10	1	1		1134-5302-01	Fjäder	Spring			
11	1	1		1134-5299-01	Tryckplatta	Push plate			
12	1	1		9699-0090-02	Planbricka	Flat washer			
13	1	1		1134-1565-06	Distans	Spacer			
14	1	1		9997-0840-12	Skruv	Screw			
15	1	1		9747-0831-02	Mutter	Lock nut			
16	1	1		1134-5179-01	Spärr	Catch			
17	1	1		9675-0012-02	Starlock	Locking washer			
18	2	2		1134-0240-00	Ansatsskruv	Shoulder screw			
19	2	2		1134-4620-02	Fjädermutter	Spring nut			
22	4	4		1134-6078-01	Ansatsbricka	Flange washer			
23	4	4		9959-0820-16	Skruv	Screw			
30	1	1		1134-5698-01	Sitskonsol	Seat bracket			
31	1	1		1134-4256-01	Sitsfjäder	Seat spring			
32	1	1		9924-1235-19	Skruv	Screw			
33	1	1		9747-1231-02	Låsmutter	Lock nut			
34	1	1		1134-3990-01	Armsvep	Attachment-side panel			
35	2	2		9897-0820-16	Skruv	Screw			
36	2	2		9739-0831-22	Mutter	Nut			
37	1	1		1134-4130-01	Lock- undre	Cover-lower			
38	4	4		9840-8013-16	Skruv	Screw			
40	2	2		9897-0880-12	Skruv	Screw			
41	2	2		1134-1565-08	Distans	Spacer			
42	4	4		9897-0820-16	Skruv	Screw			
43	6	6		9747-0831-02	Mutter	Lock nut			

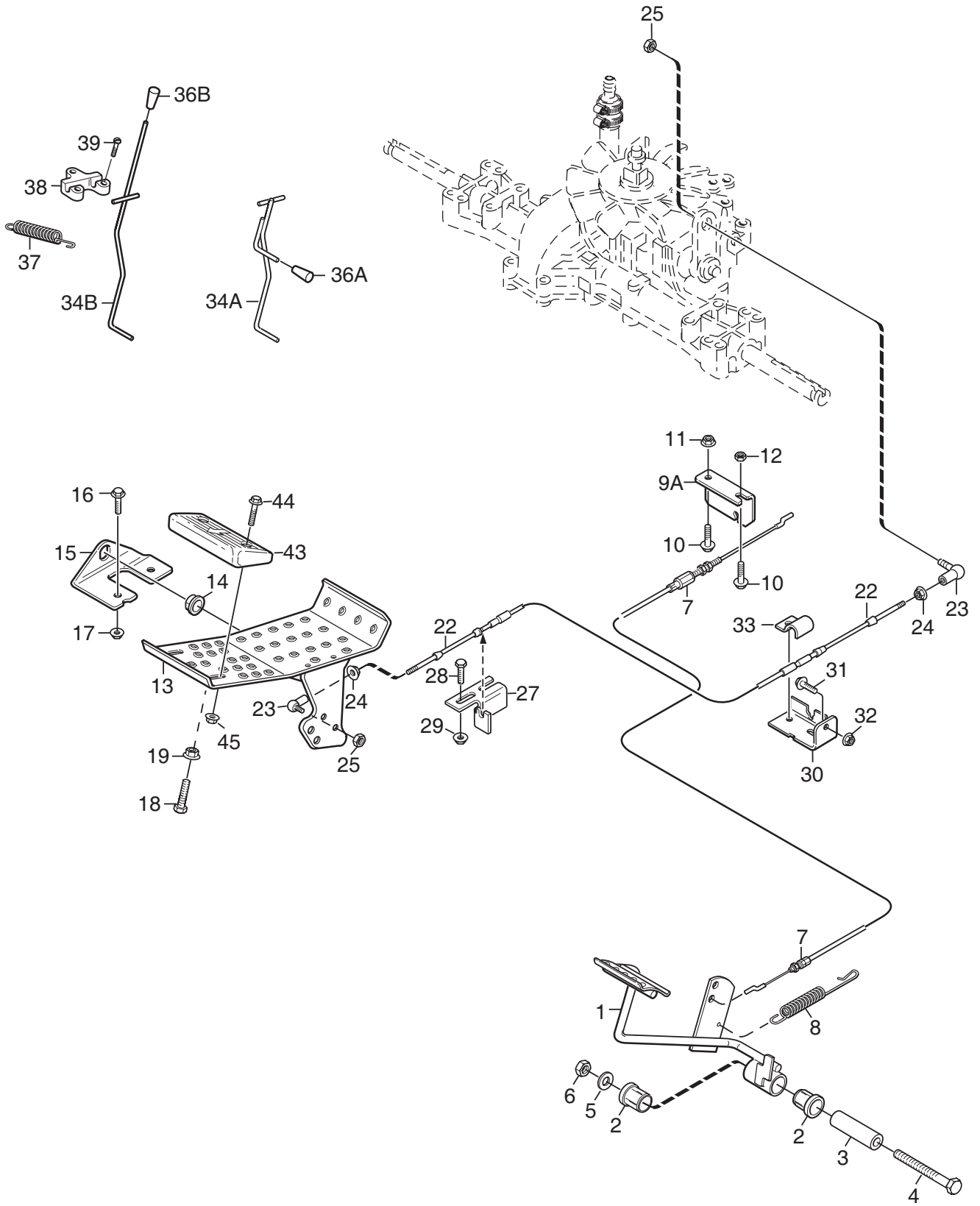
Utgåva Issue		Bildnr Picture No		PARK 4WD PRESTIGE- POWER STYRNING		PARK 4WD PRESTIGE- POWER STEERING		Sida Page	
2011- 11		1787F						126	
Pos. Fig.	Antal/Quantity			Art nr Part No	Benämning	Description	Sats Kit	Anmärkning Notes	
	6377	6175 -26							
1	1	1		1134-6374-10	• Kedja.....	• Chain.....		129 länk	
2	2	2		1134-6374-09	• Kedja.....	• Chain.....		35 länk	
3	1	1		1134-6374-02	• Kedja.....	• Chain.....		41 länk	
4	1	1		1134-6374-05	• Kedja.....	• Chain.....		47 länk	
5A	1	1		1134-3550-01	• Ändnippel.....	• End nipple.....		L = 110 mm	
5B	1	1		1134-3550-02	• Ändnippel.....	• End nipple.....		L = 90 mm	
6	4	4		1134-3565-01	• Skarvnippel.....	• Connection nipple.....			
7	12	12		1134-2824-02	• Kedjelås.....	• Chain lock.....			
8	2	2		1134-5652-01	• Fäste.....	• Attachment.....			
9	4	4		1134-5651-01	• Bygel.....	• Bracket.....			
10	2	2		1134-2816-01	• Kedjehjul.....	• Sprocket.....			
11	2	2		1134-0041-02	• Linhjulshylsa.....	• Idler wheel bush.....			
12	2	2		1134-4817-01	• Kolvstångssprint.....	• Pin.....			
13	2	2		9699-0035-02	• Planbricka.....	• Flat washer.....			
14	2	2		9599-0054-02	• Saxpinne.....	• Cotter pin.....			
15A	1	1		1134-3817-01	Tryckfjäder.....	Compression spring.....		L = 58 mm	
15B	1	1		1134-3817-02	Tryckfjäder.....	Compression spring.....		L = 33 mm	
16	2	2		9699-0090-02	Planbricka.....	Flat washer.....			
17	2	2		9747-0831-02	Mutter.....	Lock nut.....			
18	4	4		1134-2816-01	Kedjehjul.....	Sprocket.....			
19	4	4		1134-5653-01	Distans.....	Spacer.....			
20	2	2		9699-0035-02	Planbricka.....	Flat washer.....			
21	2	2		9997-1060-12	Skruv.....	Screw.....			
22	2	2		9739-1031-22	Mutter.....	Nut.....			
23	2	2		9897-1060-12	Skruv.....	Screw.....			
24	2	2		9731-1031-22	Mutter.....	Nut.....			
25	3	3		1134-3547-01	Kedjehjul.....	Sprocket.....			
26	2	2		1134-0041-01	Linhjulshylsa.....	Bushing.....			
27	2	2		1134-0046-00	Linhållare.....	Wire clamp.....			
28	2	2		9997-1040-16	Skruv.....	Screw.....			
29	2	2		9699-0035-02	Planbricka.....	Flat washer.....			
30	2	2		9739-1031-22	Mutter.....	Nut.....			
31A	1			1137-0066-01	Styrkonsol.....	Steering bracket.....			
31B		1		1134-4120-04	Styrkonsol.....	Steering console.....			
32	4	4		9897-0820-16	Skruv.....	Screw.....			
33	4	4		9739-0831-22	Mutter.....	Nut.....			
34	1	1		1134-1305-03	Rattrör- nedre.....	Steering column- lower.....			
35	2	2		1134-1901-01	Lager.....	Bearing.....			
36	1	1		1137-0120-02	Rattstång.....	Steering rod.....			
41	2	2		9893-0616-16	Skruv.....	Screw.....			
42	1	1		1134-2837-03	Distans.....	Spacer.....			
52		1		1134-5173-01	Ratt.....	Steering wheel.....			
52	1			1134-5173-02	Ratt kpl.....	Steering wheel assy.....			
53	1			1134-3769-01	• Styrknopp kpl.....	• Steering wheel button.....			
54	1			1134-3752-01	• Knoppfäste.....	• Knob holder.....			
55	1			9997-0870-16	• Skruv.....	• Screw.....			
56	1			1134-1565-06	• Distans.....	• Spacer.....			
57	3			9699-0090-02	• Planbricka.....	• Flat washer.....			
58	1			9747-0831-02	• Mutter.....	• Lock nut.....			
59	1			9403-0043-70	• Plugg.....	• Plug.....			
60	1			9403-0113-00	• Mutterhatt.....	• Nut cap.....			
63	1	1		1137-0070-01	Rattrör- inre kpl.....	Steering tube- inner.....			
64	1	1		1134-5177-01	• Slid.....	• Slide.....			
65	1	1		9710-0631-12	• Fyrkantmutter.....	• Square nut.....			
66	1	1		1134-4481-02	Vingmutter.....	Wing nut.....			
67	1	1		9997-0630-12	Skruv.....	Screw.....			
X 70	1	1		1134-6380-03	Styrkedja kpl.....	Steering chain assy.....		Inkl. pos 1-14	



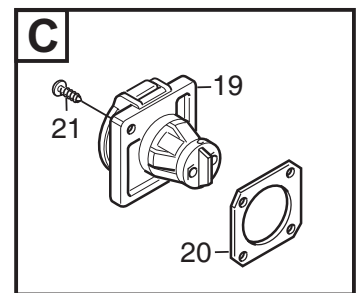
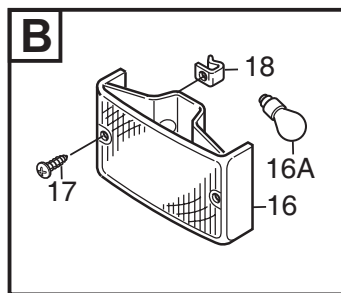
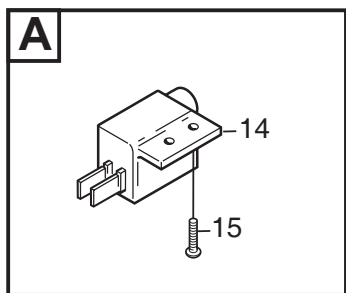
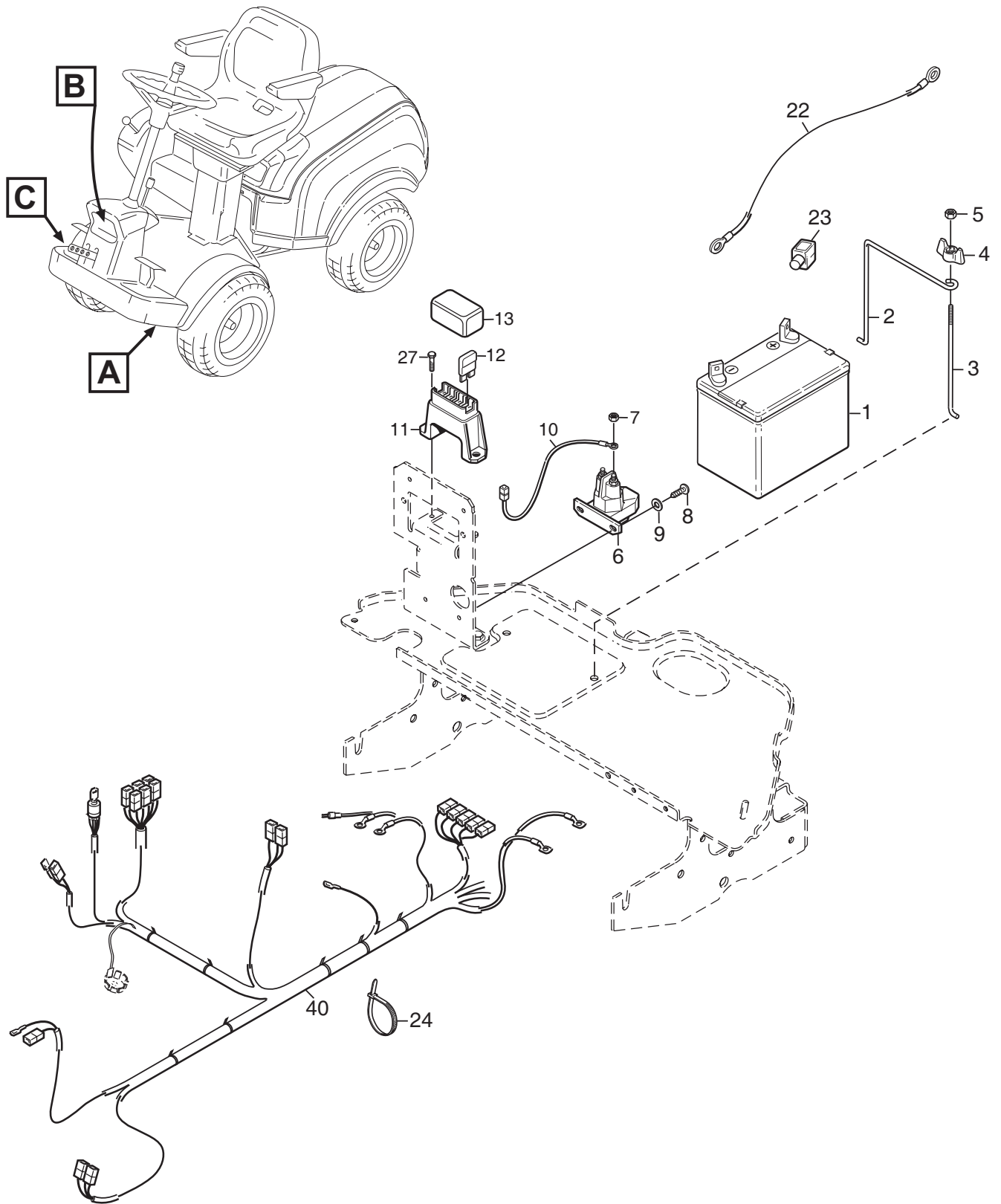
Utgåva Issue		Bildnr Picture No		PARK 4WD RESIDENCE- ROYAL STYRNING		PARK 4WD RESIDENCE- ROYAL STEERING		Sida Page	
2011- 11		2408C						128	
Pos. Fig.	Antal/Quantity				Art nr Part No	Benämning	Description	Sats Kit	Anmärkning Notes
	6378								
6312									
	1				1134- 6374- 06	• Kedja.....	• Chain.....		83 länk
	2				1134- 6374- 02	• Kedja.....	• Chain.....		41 länk
	3				1134- 6374- 04	• Kedja.....	• Chain.....		45 länk
	4A				1134- 3550- 01	• Ändnippel.....	• End nipple.....		L = 110 mm
	4B				1134- 3550- 02	• Ändnippel.....	• End nipple.....		L = 90 mm
	5				1134- 3565- 01	• Skarvnippel.....	• Connection nipple.....		
	6	10			1134- 2824- 02	• Kedjelås.....	• Chain lock.....		
	7A	1			1134- 3817- 01	Tryckfjäder.....	Compression spring.....		L = 58 mm
	7B	1			1134- 3817- 02	Tryckfjäder.....	Compression spring.....		L = 33 mm
	8	2			9699- 0090- 02	Planbricka.....	Flat washer.....		
	9	2			9747- 0831- 02	Mutter.....	Lock nut.....		
	10	4			1134- 2816- 01	Kedjehjul.....	Sprocket.....		
	11	4			1134- 0041- 02	Linhjulshylsa.....	Idler wheel bush.....		
	12	4			9699- 0035- 02	Planbricka.....	Flat washer.....		
	13	2			9997- 1050- 16	Skruv.....	Screw.....		
	14	2			9897- 1040- 12	Skruv.....	Screw.....		
	15	4			9739- 1031- 22	Mutter.....	Nut.....		
	16	3			1134- 3547- 01	Kedjehjul.....	Sprocket.....		
	17	2			1134- 0041- 01	Linhjulshylsa.....	Bushing.....		
	18	2			1134- 0046- 00	Linhållare.....	Wire clamp.....		
	19	2			9997- 1030- 16	Skruv.....	Screw.....		
	20	2			9739- 1031- 22	Mutter.....	Nut.....		
	21	1			1137- 0066- 01	Styrkonsol.....	Steering bracket.....		
	22	4			9897- 0820- 16	Skruv.....	Screw.....		
	23	4			9739- 0831- 22	Mutter.....	Nut.....		
	24	1			1137- 0044- 01	Rattrör- nedre.....	Steering tube- lower.....		
	25	1			9549- 0017- 00	Kullager.....	Ball bearing.....		
	26	1			9945- 0816- 16	Skruv.....	Screw.....		
	27	1			1137- 0045- 01	Rattstång.....	Steering rod.....		
	28	1			1134- 4114- 01	Bussning.....	Bushing.....		
	29	1			1134- 4118- 01	Koppling.....	Coupling.....		
	30	2			9595- 0256- 01	Spännstift.....	Pin.....		
	31	1			9695- 0011- 00	Bricka.....	Washer.....		
	32	1			1134- 5173- 02	Ratt kpl.....	Steering wheel assy.....		
	33	1			1134- 3769- 01	• Styrknopp kpl.....	• Steering wheel button.....		
	34	1			1134- 3752- 01	• Knoppfäste.....	• Knob holder.....		
	35	1			9997- 0870- 16	• Skruv.....	• Screw.....		
	36	1			1134- 1565- 06	• Distans.....	• Spacer.....		
	37	3			9699- 0090- 02	• Planbricka.....	• Flat washer.....		
	38	1			9747- 0831- 02	• Mutter.....	• Lock nut.....		
	39	1			9403- 0043- 70	• Plugg.....	• Plug.....		
	40	1			9403- 0113- 00	• Mutterhatt.....	• Nut cap.....		
	42	1			1134- 6420- 01	Momentförstärkare.....	Steering booster.....		Inkl. pos 42A
X	42A	1			1139- 2106- 01	• Drev.....	• Pinion.....		
	42B	1			1139- 2074- 01	Reparationssats.....	Seal kit.....		
	43	3			9939- 0612- 16	Skruv.....	Screw.....		
	47	1			1134- 7073- 01	Vinkeladapter.....	Hydraulic coupling.....		
X	48	1			1137- 0195- 02	Hydraulslang.....	Hydraulic tube.....		L = 1740 mm
	49	1			1134- 6323- 01	Banjobult.....	Banjo bolt.....		
X	50	1			1137- 0214- 03	Hydraulslang.....	Hydraulic tube.....		L = 2050 mm
	51	2			1134- 4948- 02	Tredobricka.....	Tredo washer.....		
	52	2			1134- 4282- 01	Hydraulnippel.....	Hydraulic nipple.....		
	52A	1			9404- 0028- 01	• O- ring.....	• O- ring.....		
	53	1			1137- 0070- 01	Rattrör- inre kpl.....	Steering tube- inner.....		
	54	1			1134- 5177- 01	• Slid.....	• Slide.....		
	55	1			9710- 0631- 12	• Fyrkantmutter.....	• Square nut.....		
	56	1			1134- 4481- 02	Vingmutter.....	Wing nut.....		
	57	1			9997- 0630- 12	Skruv.....	Screw.....		
	58	1			1137- 0112- 01	Bygel.....	Guide.....		
	59	2			9897- 0616- 16	Vagnsbult.....	Carriage bolt.....		
	60	2			9739- 0631- 22	Mutter.....	Nut.....		
X	70	1			1134- 6379- 02	Styrkedja kpl.....	Steering chain assy.....		Inkl. pos 1-6



Utgåva Issue		Bildnr Picture No		PARK 4WD HANDREGLAGE		PARK 4WD HAND CONTROLS		Sida Page	
2011- 11		1991D						130	
Pos. Fig.	Antal/Quantity			Art nr Part No	Benämning	Description	Sats Kit	Anmärkning Notes	
	6377 6378	6312	6175 -26						
	1	1	1	1134-4156-01	Vinkelhållare	Panel bracket- inner			
	2	2	2	9897-0820-16	Skruv	Screw			
	3	2	2	9739-0831-22	Mutter	Nut			
	4	1	1	9695-0011-00	Bricka	Washer			
	5	1	1	1134-4065-01	Reglageaxel	Control shaft			
	6	1	1	1134-4079-01	Fjäder	Spring			
	7	1	1	1134-4080-03	Reglagehylsa	Control sleeve			
	8	2	2	9959-0820-16	Skruv	Screw			
	9	1	1	1134-4077-01	Gasreglage	Throttle control			
	10	1	1	1134-4078-01	Knopp	Knob			
	11	1	1	1134-0240-00	Ansatsskruv	Shoulder screw			
	12	2	2	1134-4242-01	Distansbricka	Spacer washer			
	13	1	1	9694-0001-00	Fjäderbricka	Washer			
	14	1	1	9747-0831-02	Mutter	Lock nut			
X	15	1	1	1137-0063-02	Gaswire	Throttle cable		L1= 925 mm	
X	15	1	1	1137-0063-03	Gaswire	Throttle cable		L1= 1413 mm	
	16	1	1	1137-0115-01	Överfall	Cable clamp			
	17	1	1	9943-0516-16	Skruv	Screw			
	18	1	1	1134-4072-01	Aggregatspak	Control lever			
	19	1	1	1134-2551-01	Reglageknopp	Knob			
	20	1	1	1134-3573-03	Wire	PTO cable			
	21	1	1	1134-5358-01	Brytarfäste	Switch bracket			
	22	2	2	9852-8013-16	Skruv	Screw			
	23	1	1	9400-0360-01	Mikrobrytare	Micro switch			
	24	2	2	9840-7716-16	Skruv	Screw		L = 16 mm	
	25	1	1	1134-6328-01	Frontfäste	Panel bracket- front			
	26	2	2	9893-0616-16	Skruv	Screw			
	27	1	1	1134-6327-01	Frontplåt	Front plate			
	28	4	4	9893-0616-16	Skruv	Screw			
	32		1	1134-6096-02	Kassett	Dashboard			
	32	1		1134-6096-05	Kassett	Dashboard			
	33	4	4	9946-0525-16	Skruv	Screw			
	34	1	1	1134-4154-01	Täckbricka	Cover			
	35	5	5	1134-4129-01	Täckbricka	Cover			
	36	1	1	1134-4093-01	Tändningslås	Ignition switch			
	39	1	1	1134-4749-01	Mutter	Nut			
	40		1	1134-2872-02	Chokereglage	Choke control			
X	40		1	1137-0062-03	Chokereglage	Choke control			
	40A		1	1134-4338-01	• Reglageknopp	• Control knob			
	41		1	9699-0090-02	Planbricka	Flat washer			
	42	1	1	9400-0282-01	Brytare m.diod	Switch w.diode			
X	44	1	1	1134-6097-02	Timräknare	Hour meter			
	45	1		1134-4100-01	Täckpropp	Plug			
	49	1	1	9400-0280-03	Vippa- höjdställning	Cover- height adjust			
	99	1	1	9400-0290-01	Verktyg f.vippa	Tool for cover		Tillbehör/Accessory	

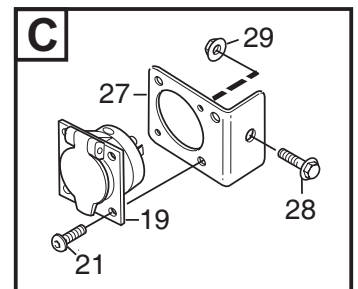
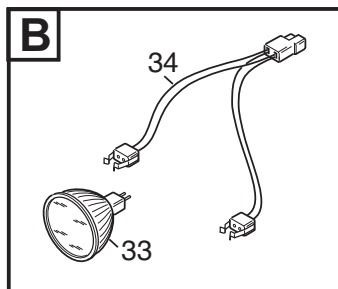
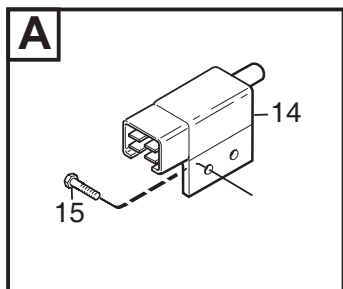
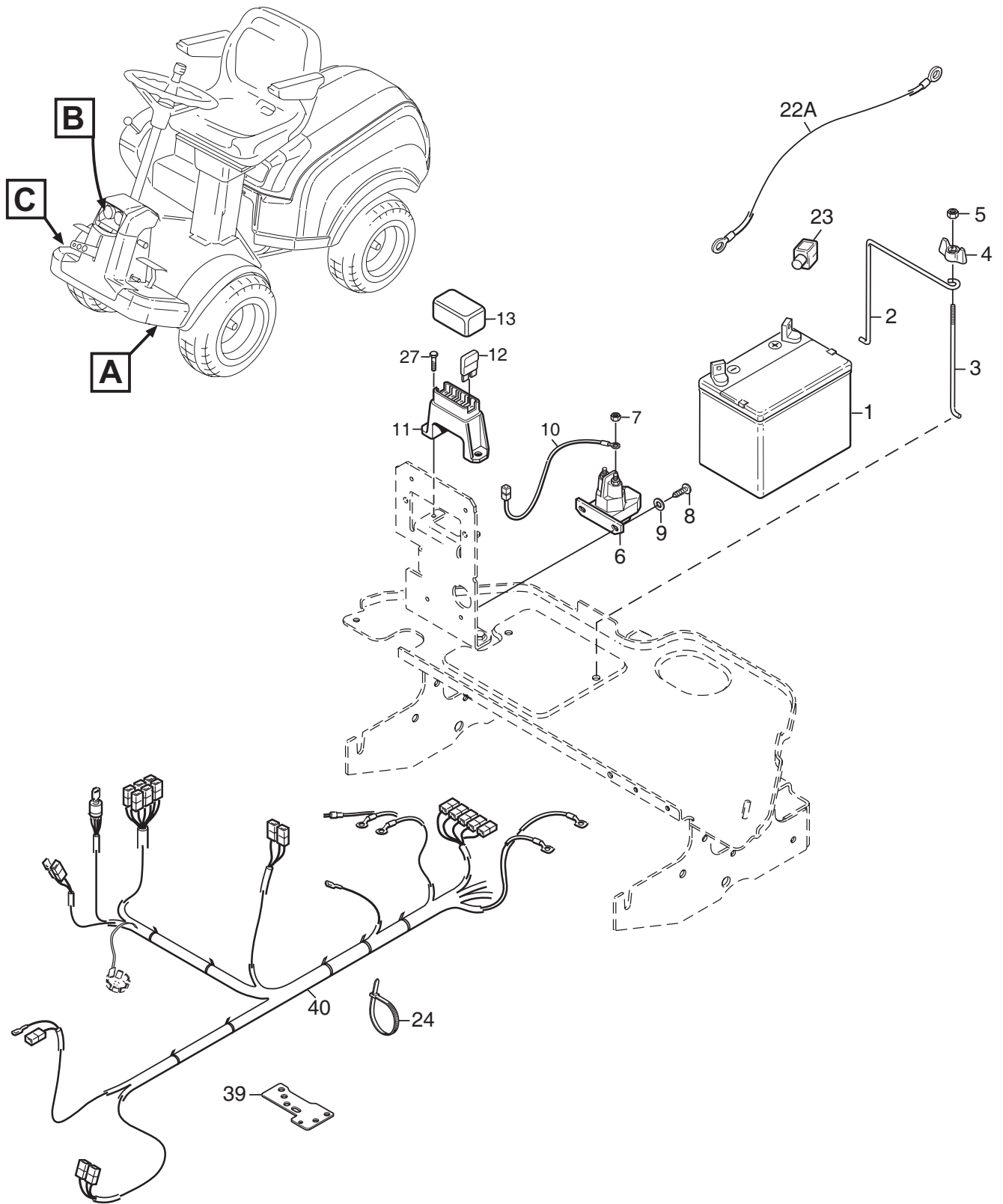


Utgåva Issue 2011-11		Bildnr Picture No 2206D		PARK 4WD FOTREGLAGE		PARK 4WD FOOT CONTROLS		Sida Page 132	
Pos. Fig.	Antal/Quantity			Art nr Part No	Benämning	Description	Sats Kit	Anmärkning Notes	
	6377 6378 6312	6175 -26							
1	1	1		1134-5655-01	Broms/kopplingspedal.....	Brake/clutch pedal.....		Sats 4 st/kit of 4	
2	1	1		1134-9024-01	Lager.....	Bearing.....			
3	1	1		1134-5677-02	Distans.....	Spacer.....			
4	1	1		9997-1070-12	Skruv.....	Screw.....			
5	1	1		9699-0030-02	Planbricka.....	Flat washer.....			
6	1	1		9739-1031-22	Mutter.....	Nut.....			
7	1	1		1134-6005-01	Wire.....	Cable.....			
8	1	1		4231-0013-00	Fjäder.....	Spring.....			
9A	1	1		1134-6467-01	Wirefäste.....	Cable holder.....			
10	2	2		9959-0820-16	Skruv.....	Screw.....			
11	1	1		9739-0831-22	Mutter.....	Nut.....			
12	1	1		9747-0831-02	Mutter.....	Lock nut.....			
13	1	1		1134-6353-01	Drivpedal.....	Drive pedal.....			
14	2	2		1134-6313-01	Lager.....	Bearing.....			
15	2	2		1134-2700-01	Fäste.....	Bracket.....			
16	2	2		9959-0820-16	Skruv.....	Screw.....			
17	2	2		9739-0831-22	Mutter.....	Nut.....			
18	1	1		9997-0835-16	Skruv.....	Screw.....			
19	1	1		9739-0831-22	Mutter.....	Nut.....			
22	1	1		1134-2766-05	Reglagewire.....	Speed control cable.....			
23	2	2		9570-0001-00	Vinkellänk.....	Elbow link.....			
24	2	2		9739-0531-22	Mutter.....	Nut.....			
25	2	2		9747-0531-02	Mutter.....	Nut.....			
27	1	1		1134-6317-01	Wirefäste.....	Cable holder.....			
28	2	2		9959-0620-16	Skruv.....	Screw.....			
29	2	2		9739-0631-22	Mutter.....	Nut.....			
30	1	1		1134-3395-01	Fäste.....	Attachment.....			
31	2	2		9959-0820-16	Skruv.....	Screw.....			
32	2	2		9739-0831-22	Mutter.....	Nut.....			
33	1	1		1134-2021-01	Växelwirefäste.....	Clamp.....			
34A	1			1134-5353-01	Bromsstång.....	Brake rod.....			
34B		1		1134-5101-01	Bromsstång.....	Brake rod.....			
36A	1			1134-2786-01	Plastknopp.....	Plastic knob.....			
36B		1		1134-3808-01	Knopp.....	Knob.....			
37	1	1		1131-1497-01	Fjäder.....	Spring.....			
38	1	1		1134-4002-01	Fäste.....	Brake rod attachment.....			
39	3	3		9838-9516-12	Skruv.....	Screw.....			
43	2	2		1134-6340-02	Fotstöd.....	Foot rest.....			
44	4	4		9959-0620-16	Skruv.....	Screw.....			
45	4	4		9739-0631-22	Mutter.....	Nut.....			

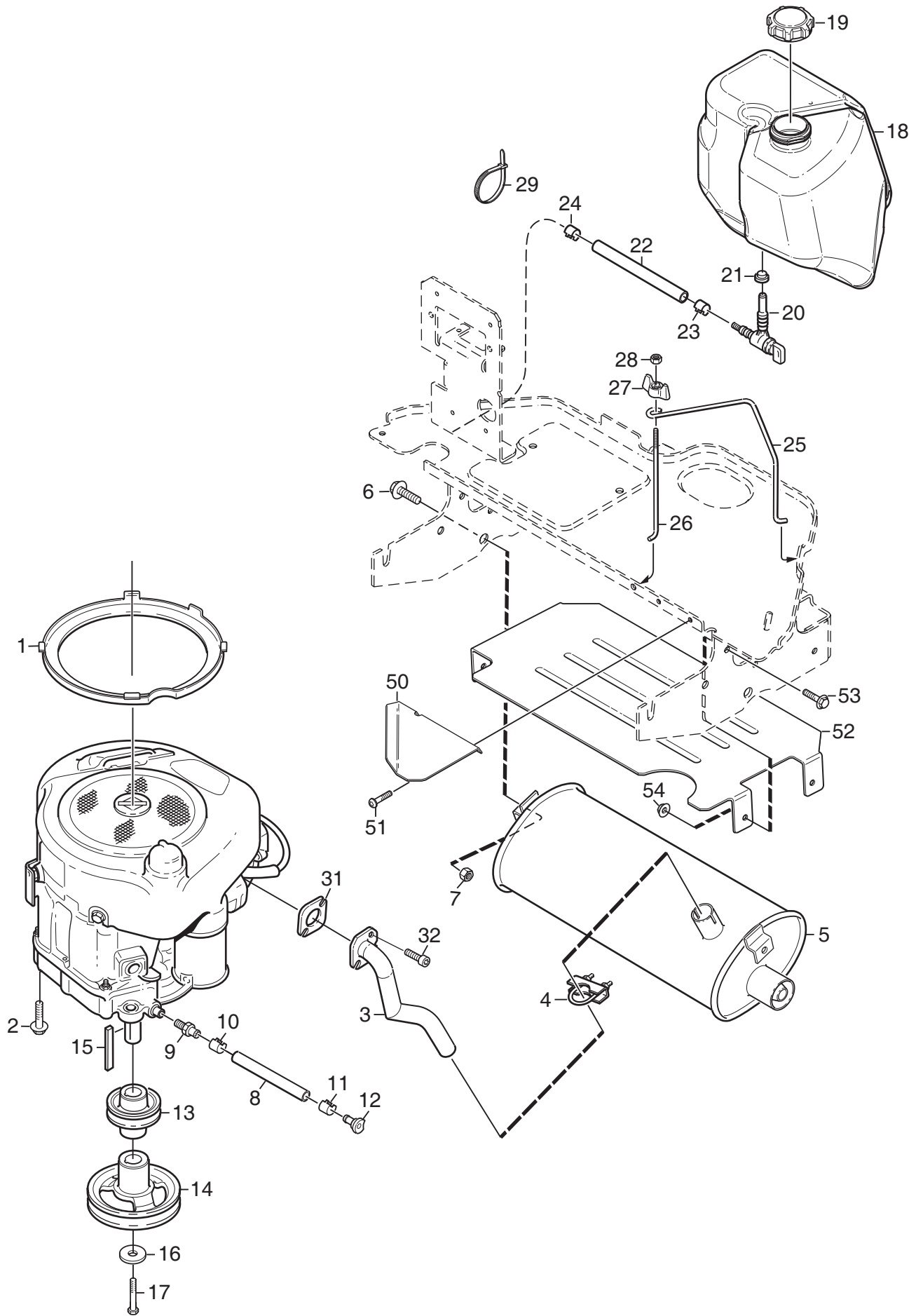


Utgåva Issue 2011- 11		Bildnr Picture No 2020G		PARK 4WD POWER ELUTRUSTNING		PARK 4WD POWER EL. EQUIPMENT		Sida Page 134	
Pos. Fig.	Antal/Quantity				Art nr Part No	Benämning	Description	Sats Kit	Anmärkning Notes
	6175 -26								
1	1				1134-5751-01	Batteri	Battery		
2	1				1134-5994-01	Batteribygel	Battery loop.....		
3	1				1134-5995-01	Batteribygel	Battery loop.....		
4	1				1134-4481-02	Vingmutter.....	Wing nut		
5	1				9747-0631-02	Låsmutter	Lock nut		
6	1				1134-2962-01	Solenoid kpl	Solenoid assy.....		Inkl. pos 7
7	2				9794-5131-02	• Mutter.....	• Nut		
8	2				9852-8013-16	Skruv	Screw		
9	2				9699-0060-02	Planbricka.....	Flat washer.....		
10	1				1134-4970-02	Kabel- röd	Cable- red.....		
11	1				1134-3491-01	Säkringshållare.....	Fuse holder		
12	1				1134-3496-01	Säkring	Fuse		10A
12	1				1134-3496-06	Säkring	Fuse		20A
12	1				1134-3496-07	Säkring	Fuse		30A
13	1				1134-3631-01	Lock- säkringsdosa.....	Cover- fuse holder.....		
14	1				1134-3399-02	Brytare.....	Switch		
15	2				9943-0516-16	Skruv	Screw		
16	1				1134-4172-01	Strålkastare kpl.....	Headlamp assy.....		
16A	1				9400-0293-01	• Glödlampa	• Bulb.....		12V - 21W
17	2				9849-7819-16	Skruv	Screw		
18	2				1134-4177-01	Clips	Clips		
19	1				1134-7535-01	Honkontakt	Female terminal.....		
20	1				1134-4052-01	Stödbricka	Support washer.....		
21	2				9840-7716-16	Skruv	Screw		
22	1				1134-0234-02	Batterikabel (+)	Battery cable (+).....		
23	1				1134-2310-01	Batteriskydd.....	Guard cap		
24	5				9579-0003-00	Buntband	Cable holder		
24	2				9579-0018-01	Buntband	Cable tie		L=390
27	2				9849-8006-16	Skruv	Screw		
40	1				1134-6441-01	Kablage.....	Harness.....		

X

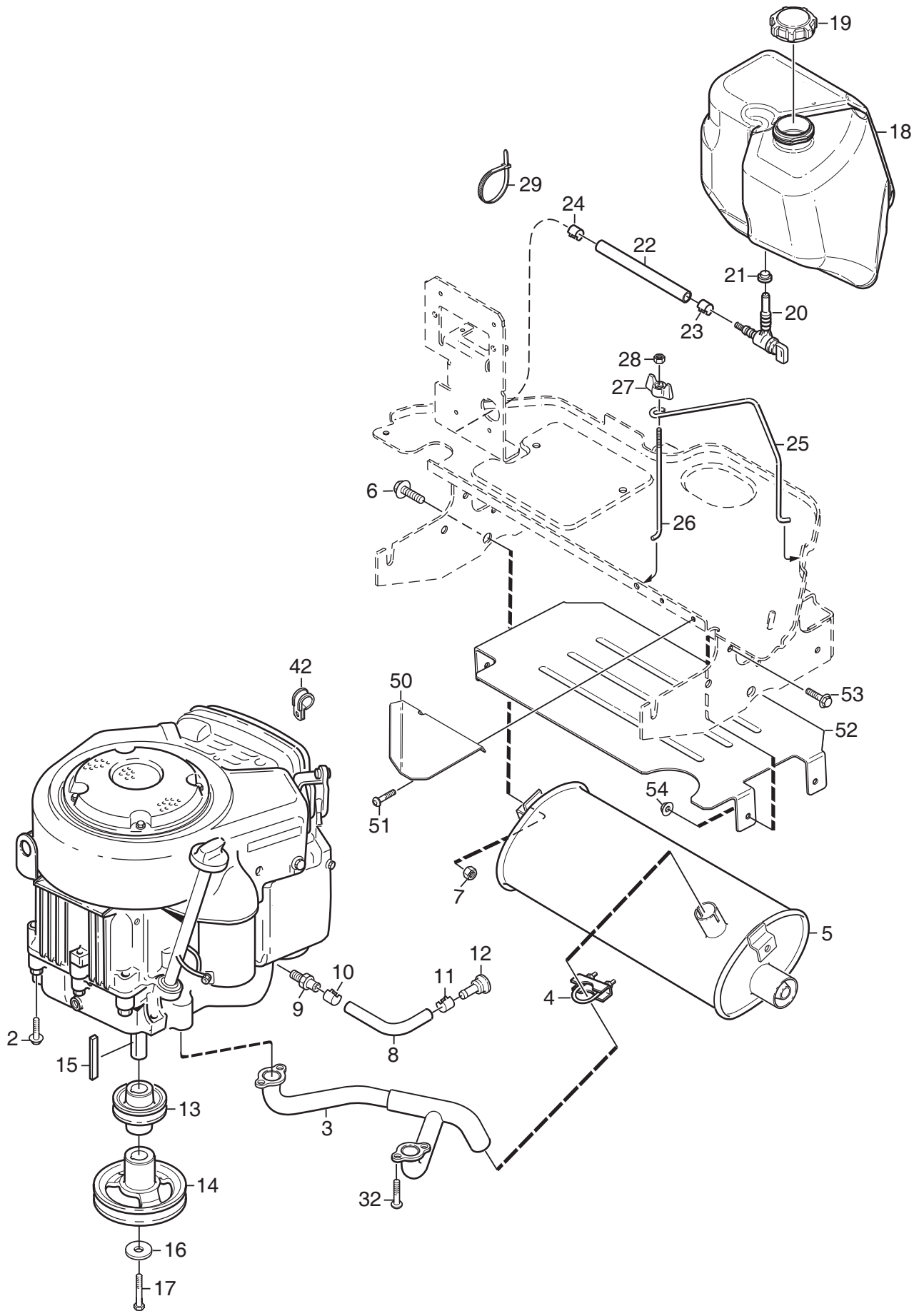


Utgåva Issue 2011- 11		Bildnr Picture No 2020I		PARK 4WD PRESTIGE- RESIDENCE- ROYAL ELUTRUSTNING		PARK 4WD PRESTIGE- RESIDENCE- ROYAL EL. EQUIPMENT		Sida Page 136	
Pos. Fig.	Antal/Quantity				Art nr Part No	Benämning	Description	Sats Kit	Anmärkning Notes
	6377 6378	6312							
1	1	1			1134-5751-01	Batteri	Battery		
2	1	1			1134-5994-01	Batteribygel	Battery loop.....		
3	1	1			1134-5995-01	Batteribygel	Battery loop.....		
4	1	1			1134-4481-02	Vingmutter.....	Wing nut		
5	1	1			9747-0631-02	Låsmutter	Lock nut		
6	1	1			1134-2962-01	Solenoid kpl	Solenoid assy.....		Inkl. pos 7
7	2	2			9794-5131-02	• Mutter.....	• Nut		
8	2	2			9852-8013-16	Skruv	Screw		
9	2	2			9699-0060-02	Planbricka.....	Flat washer.....		
10	1	1			1134-4970-02	Kabel- röd	Cable- red.....		
11	1	1			1134-3491-01	Säkringshållare.....	Fuse holder		
12	1	1			1134-3496-01	Säkring	Fuse		10A
12	1	1			1134-3496-06	Säkring	Fuse		20A
12	1	1			1134-3496-07	Säkring	Fuse		30A
13	1	1			1134-3631-01	Lock- säkringsdosa.....	Cover- fuse holder.....		
14	1	1			1134-3399-02	Brytare.....	Switch		
15	2	2			9943-0516-16	Skruv	Screw		
19	1	1			1134-7535-01	Honkontakt	Female terminal.....		
21	2	2			9840-7716-16	Skruv	Screw		
22 A	1	1			1134-0234-02	Batterikabel (+).....	Battery cable (+).....		
23	1	1			1134-2310-01	Batteriskydd.....	Guard cap		
24	5	5			9579-0003-00	Buntband	Cable holder		
X 24	2	2			9579-0018-01	Buntband	Cable tie		L=390
27	1	1			1137-0075-01	Fäste	Bracket		
28	1	1			9959-0820-16	Skruv	Screw		
29	1	1			9739-0831-22	Mutter.....	Nut		
33	2	2			9400-0358-01	LED- lampa	LED- lamp		
34	1	1			1134-7505-01	Kablage.....	Harness.....		
39		1			1134-6454-01	Jordplåt	Ground plate		
40	1				1134-6441-01	Kablage.....	Harness.....		B&S
40		1			1137-0027-01	Kablage.....	Harness.....		Honda



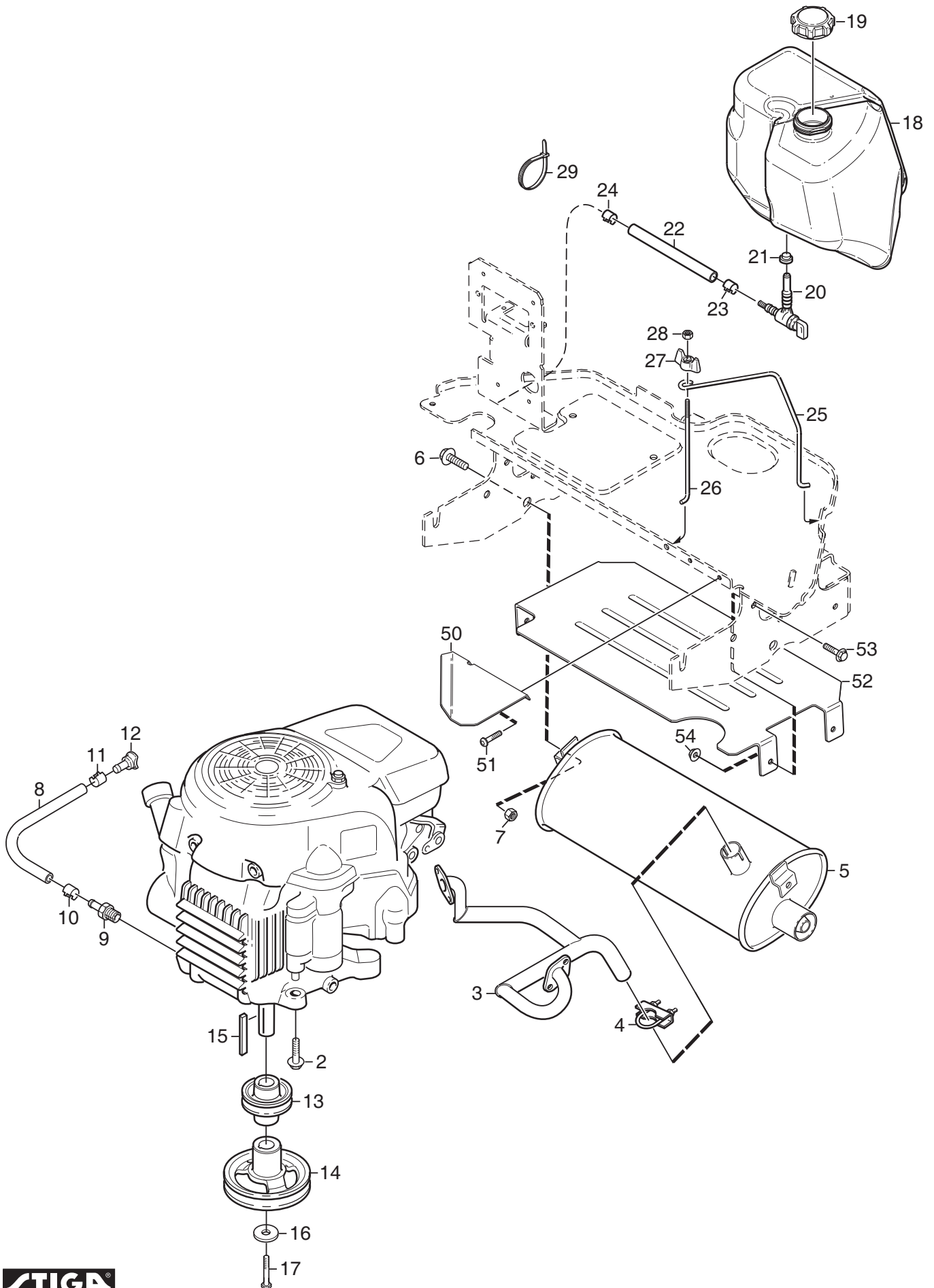
Utgåva Issue 2011- 11		Bildnr Picture No 2021		PARK 4WD PRESTIGE- RESIDENCE MOTOR (Briggs & Stratton)		PARK 4WD PRESTIGE- RESIDENCE ENGINE (Briggs & Stratton)		Sida Page 138	
Pos. Fig.	Antal/Quantity				Art nr Part No	Benämning	Description	Sats Kit	Anmärkning Notes
	6377	6378							
1	1				1134-6116-02	Luffring.....	Air duct		
2	4				9955-3725-16	Skruv.....	Screw.....		
3	1				1134-6100-01	Grenrör.....	Exhaust pipe		
4	1				9578-0011-01	Klämma.....	Clamp.....		
5	1				1134-6024-01	Ljuddämpare	Muffler		
6	1				9959-0820-16	Skruv.....	Screw.....		
7	1				9739-0831-22	Mutter.....	Nut.....		
8	1				1134-5827-01	Oljeavtappning kpl.....	Oil drain assy		Inkl. pos 9 - 12
9	1				1134-5825-01	• Nippel.....	• Nipple.....		
10	1				9578-0023-04	• Slangklämma.....	• Hose clamp		
11	1				1134-3499-02	• Slangklämma.....	• Hose clamp		
12	1				1134-5826-01	• Plugg.....	• Plug.....		
13	1				1137-0007-01	Motorremskiva	Engine pulley.....		Ø = 85 mm
14	1				1137-0082-01	Motorremskiva	Engine pulley.....		Ø = 139 mm
15	1				9600-0251-01	Kil.....	Key.....		
16	1				1134-5017-01	Bricka.....	Washer.....		
17	1				9987-5332-16	Skruv.....	Screw		
18	1				1134-5938-01	Bränsletank.....	Fuel tank		
19	1				1134-5532-01	Tanklock	Fuel tank cap.....		
20	1				1134-3224-01	Bensinkran.....	Fuel shut-off valve		
21	1				1134-3225-01	Gummibussning.....	Grommet.....		
22	1,1				9505-0001-01	Bensinslang (meter)	Fuel line (metre).....		Per meter
23	1				9578-0023-02	Slangklämma.....	Hose clamp		
24	1				9578-0023-02	Slangklämma.....	Hose clamp		
25	1				1134-5942-01	Tankbygel	Tank loop		
26	1				1134-5996-01	Tankbygel	Tank loop		
27	1				1134-4481-02	Vingmutter.....	Wing nut		
28	1				9747-0631-02	Låsmutter	Lock nut.....		
29	1				9579-0003-00	Buntband.....	Cable holder.....		
30	1				9852-8013-16	Skruv.....	Screw.....		
31	1				1134-0433-00	Ljuddämparpackning.....	Muffler gasket.....		
32	2				1134-4930-01	Skruv.....	Screw.....		
50	1				1134-6234-01	Deflektor.....	Heat deflector.....		
51	2				9943-0516-16	Skruv.....	Screw.....		
52	1				1134-6251-01	Deflektor.....	Heat deflector.....		
53	4				9959-0612-16	Skruv.....	Screw.....		
54	4				9739-0631-22	Mutter.....	Nut.....		

X
X



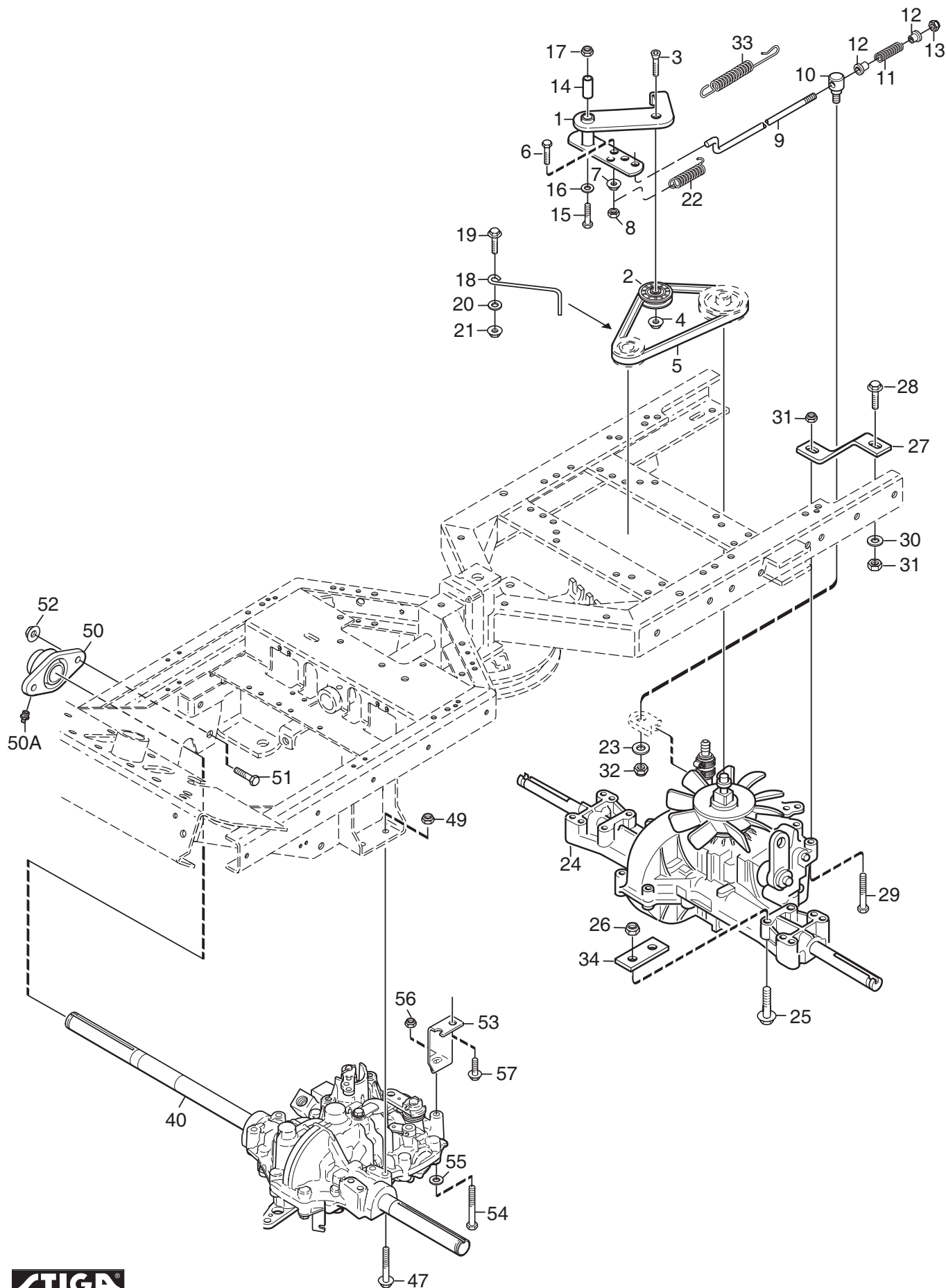
Utgåva Issue 2011- 11		Bildnr Picture No 2207C		PARK 4WD POWER MOTOR (Briggs & Stratton)		PARK 4WD POWER ENGINE (Briggs & Stratton)		Sida Page 140	
Pos. Fig.	Antal/Quantity				Art nr Part No	Benämning	Description	Sats Kit	Anmärkning Notes
	6175 -26								
2	4				9955-3725-16 Skruv.....	Screw.....			
3	1				1134-6339-01 Grenrör.....	Exhaust pipe.....			
4	1				9578-0011-01 Klämma.....	Clamp.....			
5	1				1134-6024-01 Ljuddämpare.....	Muffler.....			
6	1				9959-0820-16 Skruv.....	Screw.....			
7	1				9739-0831-22 Mutter.....	Nut.....			
8	1				1134-5827-04 Oljeavtappning kpl.....	Oil drain assy.....		Inkl. pos 9 - 12	
9	1				1134-5825-01 • Nippel.....	• Nipple.....			
10	1				9578-0023-04 • Slangklämma.....	• Hose clamp.....			
11	1				1134-3499-02 • Slangklämma.....	• Hose clamp.....			
12	1				1134-5826-01 • Plugg.....	• Plug.....			
13	1				1137-0007-01 Motorremskiva.....	Engine pulley.....		Ø = 85 mm	
14	1				1137-0082-01 Motorremskiva.....	Engine pulley.....		Ø = 139 mm	
15	1				9600-0251-01 Kil.....	Key.....			
16	1				1134-5017-01 Bricka.....	Washer.....			
17	1				9987-5332-16 Skruv.....	Screw.....			
18	1				1134-5938-01 Bränsletank.....	Fuel tank.....			
19	1				1134-5532-01 Tanklock.....	Fuel tank cap.....			
20	1				1134-3224-01 Bensinkran.....	Fuel shut-off valve.....			
21	1				1134-3225-01 Gummibussning.....	Grommet.....			
22	1,1				9505-0001-01 Bensinslang (meter).....	Fuel line (metre).....		Per meter	
23	1				9578-0023-02 Slangklämma.....	Hose clamp.....			
24	1				9578-0023-02 Slangklämma.....	Hose clamp.....			
25	1				1134-5942-01 Tankbygel.....	Tank loop.....			
26	1				1134-5996-01 Tankbygel.....	Tank loop.....			
27	1				1134-4481-02 Vingmutter.....	Wing nut.....			
28	1				9747-0631-02 Låsmutter.....	Lock nut.....			
29	1				9579-0003-00 Buntband.....	Cable holder.....			
30	1				9852-8013-16 Skruv.....	Screw.....			
32	4				9939-0820-16 Skruv.....	Screw.....			
42	1				1134-0994-02 Rörklammer.....	Tube clamp.....			
50	1				1134-6234-01 Deflektor.....	Heat deflector.....			
51	2				9943-0516-16 Skruv.....	Screw.....			
52	1				1134-6251-01 Deflektor.....	Heat deflector.....			
53	4				9959-0612-16 Skruv.....	Screw.....			
54	4				9739-0631-22 Mutter.....	Nut.....			

X
X

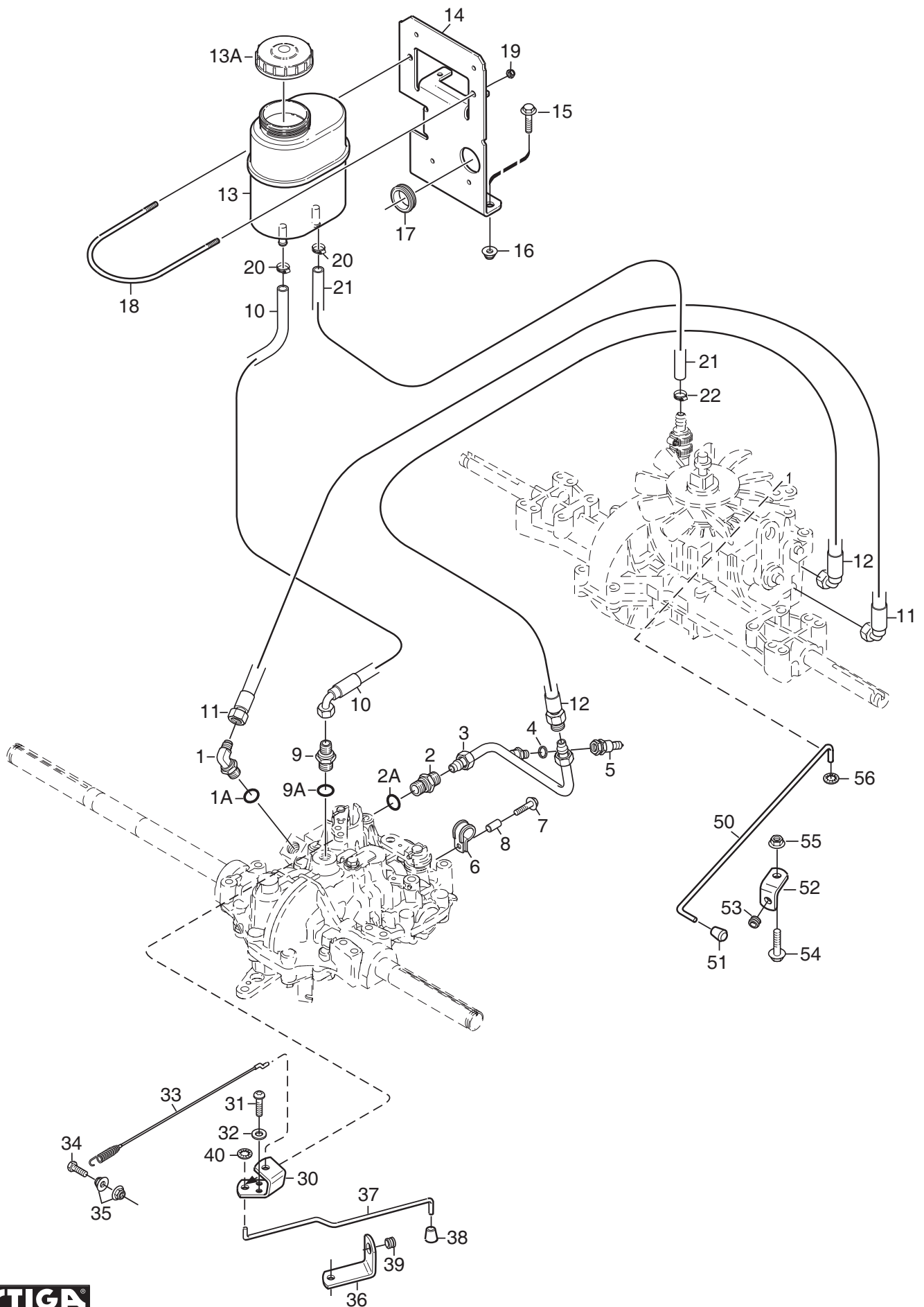


Utgåva Issue 2011- 11		Bildnr Picture No 2022		PARK 4WD ROYAL MOTOR (Honda)		PARK 4WD ROYAL ENGINE (Honda)		Sida Page 142	
Pos. Fig.	Antal/Quantity				Art nr Part No	Benämning	Description	Sats Kit	Anmärkning Notes
	6312								
2	4				9955-3725-16	Skruv.....	Screw.....		
3	1				1134-5947-01	Grenrör.....	Exhaust pipe.....		
4	1				9578-0011-01	Klämma.....	Clamp.....		
5	1				1134-6024-01	Ljuddämpare.....	Muffler.....		
6	1				9959-0820-16	Skruv.....	Screw.....		
7	1				9739-0831-22	Mutter.....	Nut.....		
8	1				1134-5827-01	Oljeavtappning kpl.....	Oil drain assy.....		Inkl. pos 9 - 12
9	1				1134-5825-01	• Nippel.....	• Nipple.....		
10	1				9578-0023-04	• Slangklämma.....	• Hose clamp.....		
11	1				1134-3499-02	• Slangklämma.....	• Hose clamp.....		
12	1				1134-5826-01	• Plugg.....	• Plug.....		
13	1				1137-0007-01	Motorremskiva.....	Engine pulley.....		Ø = 85 mm
14	1				1137-0082-01	Motorremskiva.....	Engine pulley.....		Ø = 139 mm
15	1				9600-0251-01	Kil.....	Key.....		
16	1				1134-5017-01	Bricka.....	Washer.....		
17	1				9987-5332-16	Skruv.....	Screw.....		
18	1				1134-5938-01	Bränsletank.....	Fuel tank.....		
19	1				1134-5532-01	Tanklock.....	Fuel tank cap.....		
20	1				1134-3224-01	Bensinkran.....	Fuel shut-off valve.....		
21	1				1134-3225-01	Gummibussning.....	Grommet.....		
22	1,1				9505-0001-01	Bensinslang (meter).....	Fuel line (metre).....		Per meter
23	1				9578-0023-02	Slangklämma.....	Hose clamp.....		
24	1				9578-0023-02	Slangklämma.....	Hose clamp.....		
25	1				1134-5942-01	Tankbygel.....	Tank loop.....		
26	1				1134-5996-01	Tankbygel.....	Tank loop.....		
27	1				1134-4481-02	Vingmutter.....	Wing nut.....		
28	1				9747-0631-02	Låsmutter.....	Lock nut.....		
29	1				9579-0003-00	Buntband.....	Cable holder.....		
30	1				9893-0616-16	Skruv.....	Screw.....		
50	1				1134-6234-01	Deflektor.....	Heat deflector.....		
51	2				9943-0516-16	Skruv.....	Screw.....		
52	1				1134-6251-01	Deflektor.....	Heat deflector.....		
53	4				9959-0612-16	Skruv.....	Screw.....		
54	4				9739-0631-22	Mutter.....	Nut.....		

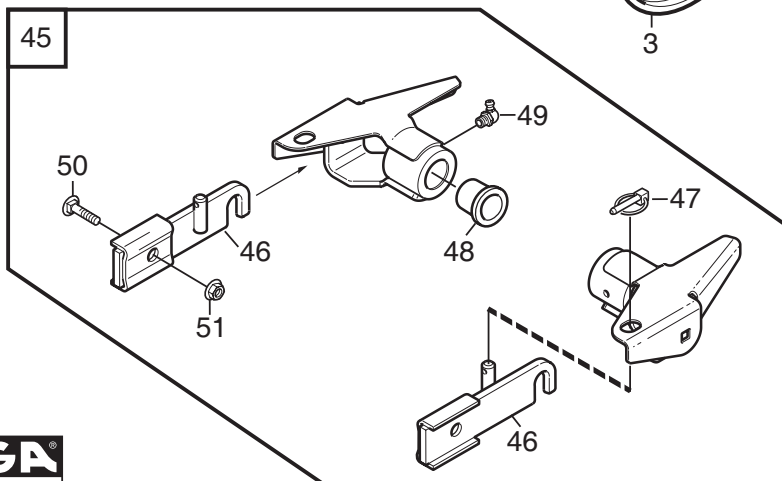
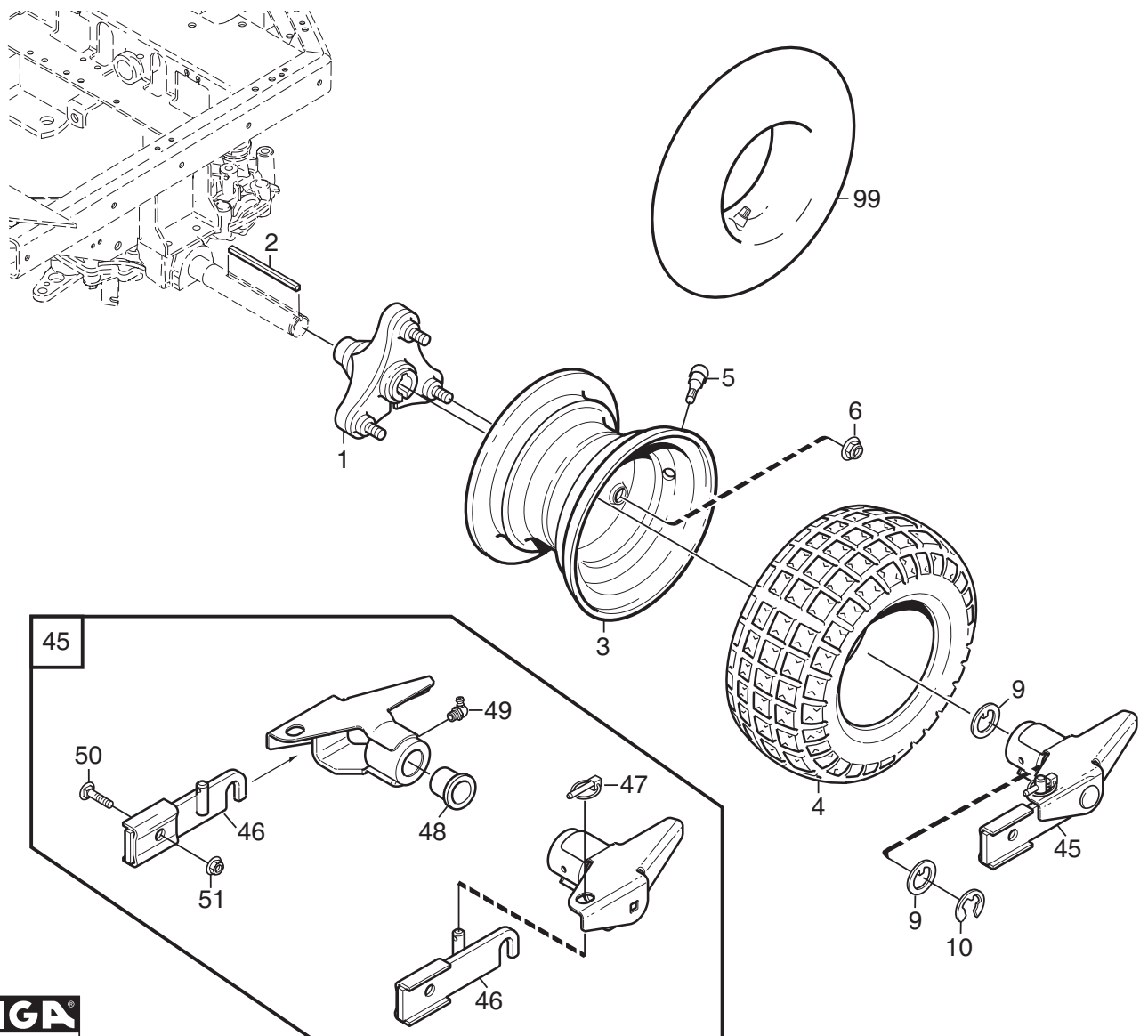
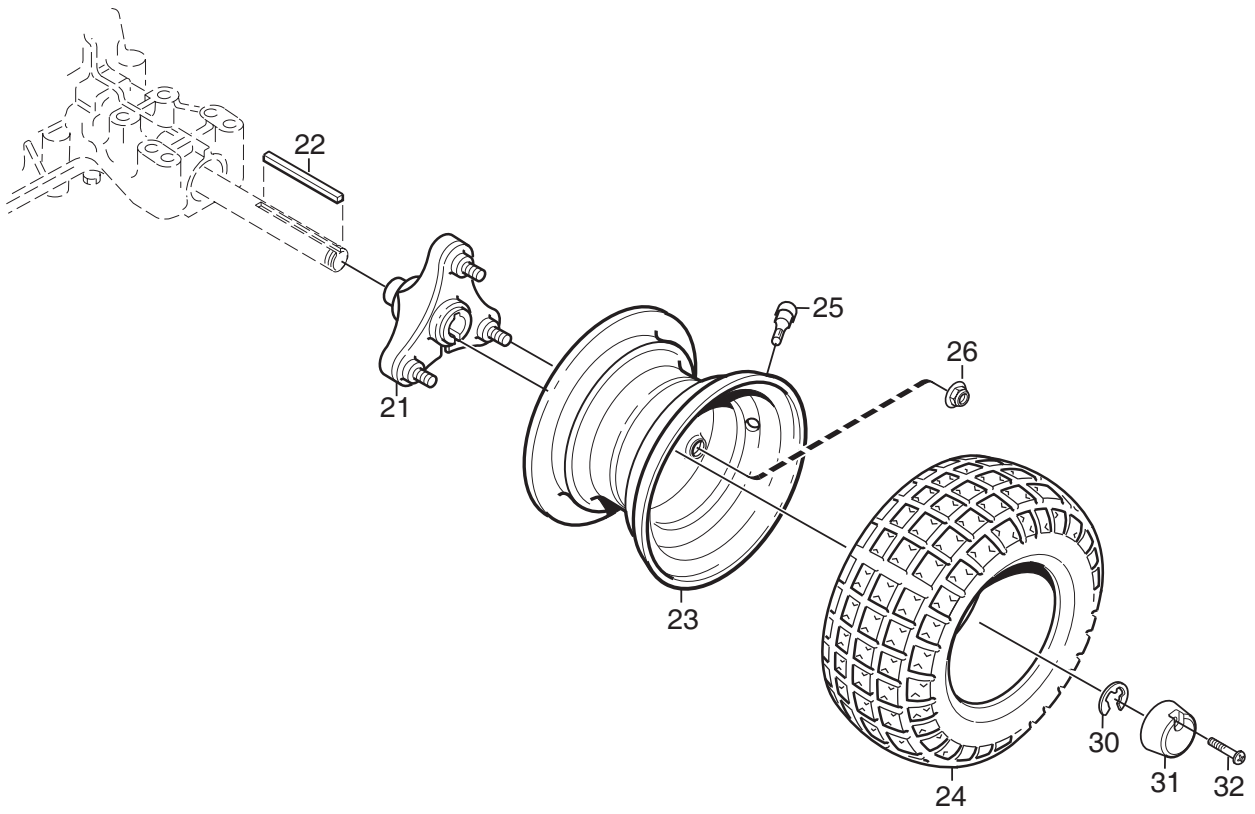
X
X



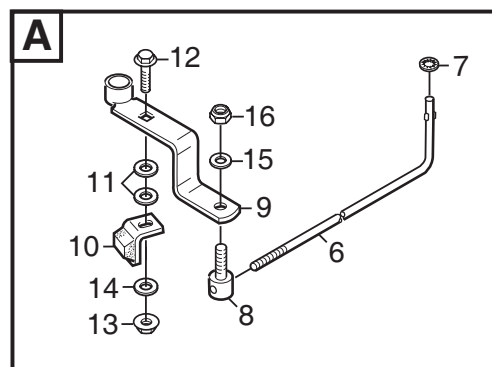
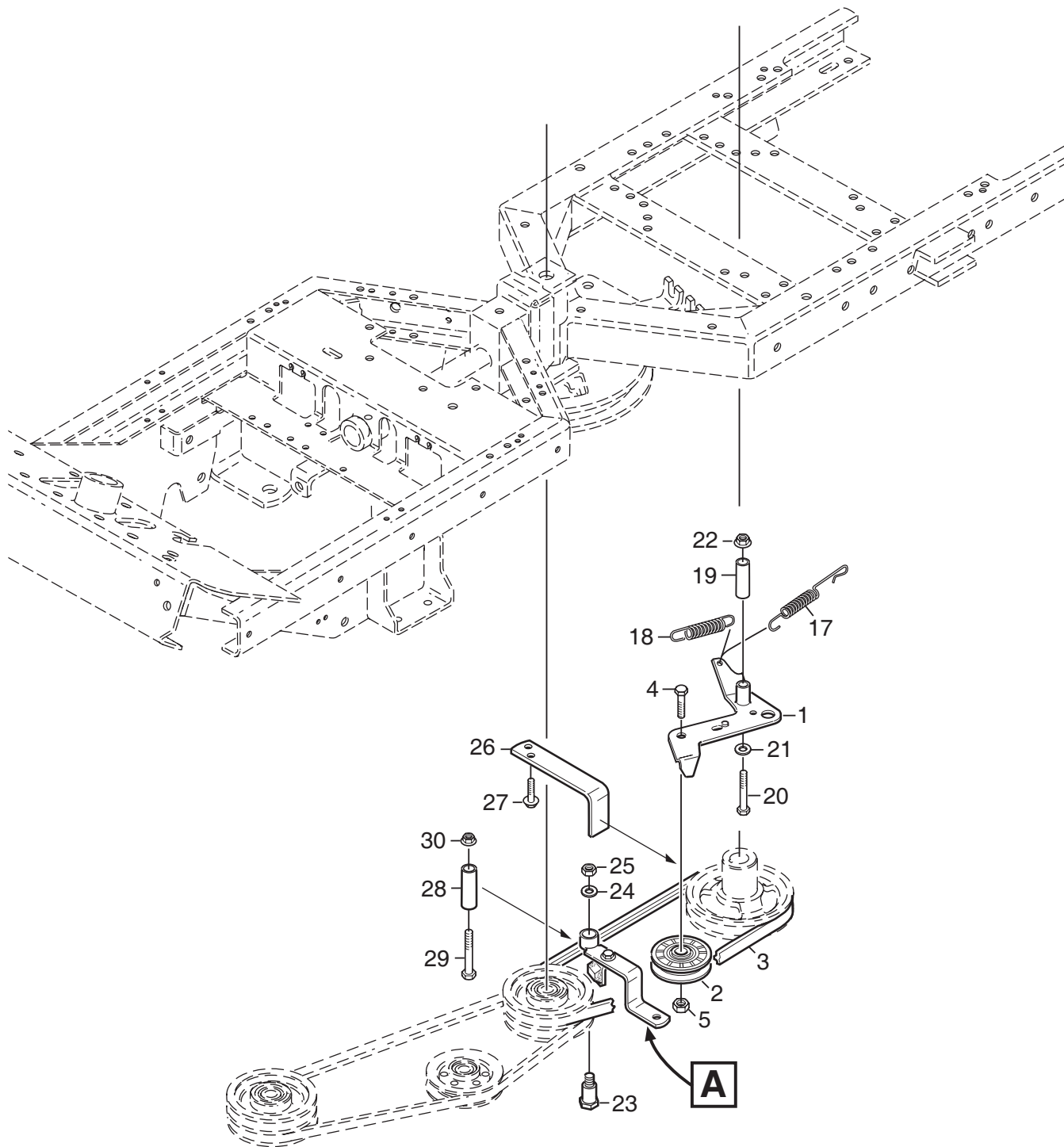
Utgåva Issue		Bildnr Picture No		PARK 4WD TRANSMISSION (mek)		PARK 4WD TRANSMISSION (mech)		Sida Page	
2011- 11		2038B						144	
Pos. Fig.	Antal/Quantity			Art nr Part No	Benämning	Description	Sats Kit	Anmärkning Notes	
	6377	6378 6312	6175 -26						
1	1	1	1	1134-4000-02	Spännarm	Tension arm		= 9585-0091-01	
2	1	1	1	1134-3459-01	Spännrulle	Tension roller			
3	1	1	1	9924-1035-16	Skruv	Screw			
4	1	1	1	9799-1031-02	Mutter	Nut			
5	1	1	1	1134-9058-01	Drivrem	V- belt.....			
6	1	1	1	9997-0625-16	Skruv	Screw			
7	1	1	1	9739-0631-22	Mutter	Nut			
8	1	1	1	9747-0631-02	Låsmutter	Lock nut			
9	1	1	1	1134-3377-02	Reglagestång	Control rod.....			
10	1	1	1	1134-4171-01	Ledtapp	Pivot pin			
11	1	1	1	1134-4183-01	Tryckfjäder	Compression spring.....			
12	2	2	2	1134-3456-01	Bussning	Bushing.....			
13	1	1	1	9747-0631-02	Låsmutter	Lock nut			
14	1	1	1	1134-1565-08	Distans	Spacer			
15	1	1	1	9997-0870-16	Skruv	Screw			
16	1	1	1	9699-0056-02	Planbricka.....	Flat washer.....			
17	1	1	1	9747-0831-02	Mutter	Lock nut			
18	1	1	1	1134-3289-02	Remstyrning	Belt guide			
19	1	1	1	9959-0820-16	Skruv	Screw			
20	1	1	1	9699-0056-02	Planbricka.....	Flat washer.....			
21	1	1	1	9739-0831-22	Mutter	Nut			
22	1	1	1	1134-6414-01	Fjäder	Spring			
23	1	1	1	9699-0060-02	Planbricka.....	Flat washer.....			
24	1		1	1137-0124-01	Transaxel kpl.....	Transaxle assy.....	Kanzaki K574G 2- port Kanzaki K574F 4- port		
24		1		1137-0125-01	Transaxel kpl.....	Transaxle assy.....			
25	4	4	4	9960-0860-12	Skruv	Screw			
26	4	4	4	9747-0831-02	Mutter	Lock nut			
27	1	1	1	1134-3913-01	Reaktionsstag	Strut			
28	1	1	1	9959-0825-16	Skruv	Screw			
29	1	1	1	9997-0845-12	Skruv	Screw			
30	1	1	1	9699-0090-02	Planbricka.....	Flat washer.....			
31	2	2	2	9747-0831-02	Mutter	Lock nut			
32	1	1	1	9747-0631-02	Låsmutter	Lock nut			
33	1	1	1	4231-0013-00	Fjäder	Spring			
34			2	1134-3376-01	Mellanlägg	Spacer plate			
40	1	1	1	1134-6029-01	Motoraxel- fram	Transaxle- front	Kanzaki KTM 10M		
47	2	2	2	9960-0860-12	Skruv	Screw			
49	2	2	2	9747-0831-02	Mutter	Lock nut			
50	1	1	1	1134-5703-01	Flänslagerenhet	Flange bearing.....			
50A	1	1	1	9501-0500-00	• Smörjnippel	• Grease joint			
51	2	2	2	9997-1040-16	Skruv	Screw			
52	2	2	2	9731-1031-22	Mutter	Nut			
53	1	1	1	1134-5670-01	Reaktionsstag	Strut			
54	1	1	1	9997-0880-16	Skruv	Screw			
55	1	1	1	9699-0090-02	Planbricka.....	Flat washer.....			
56	1	1	1	9747-0831-02	Mutter	Lock nut			
57	2	2	2	9945-0816-16	Skruv	Screw			



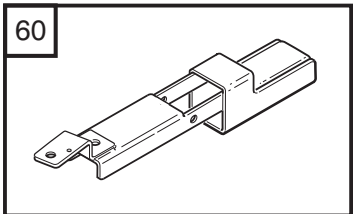
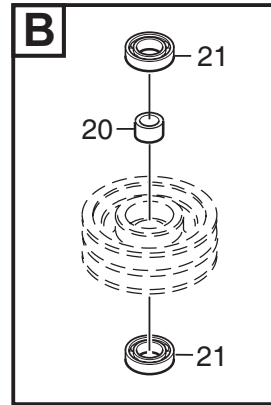
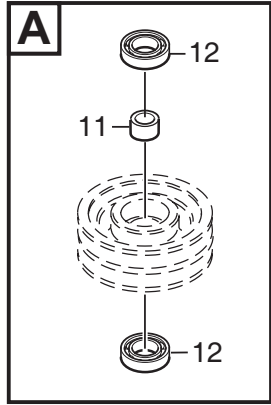
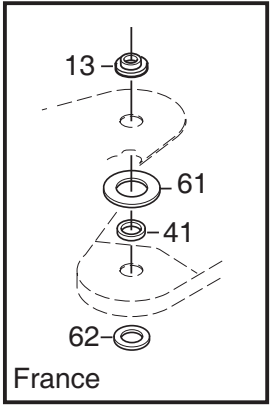
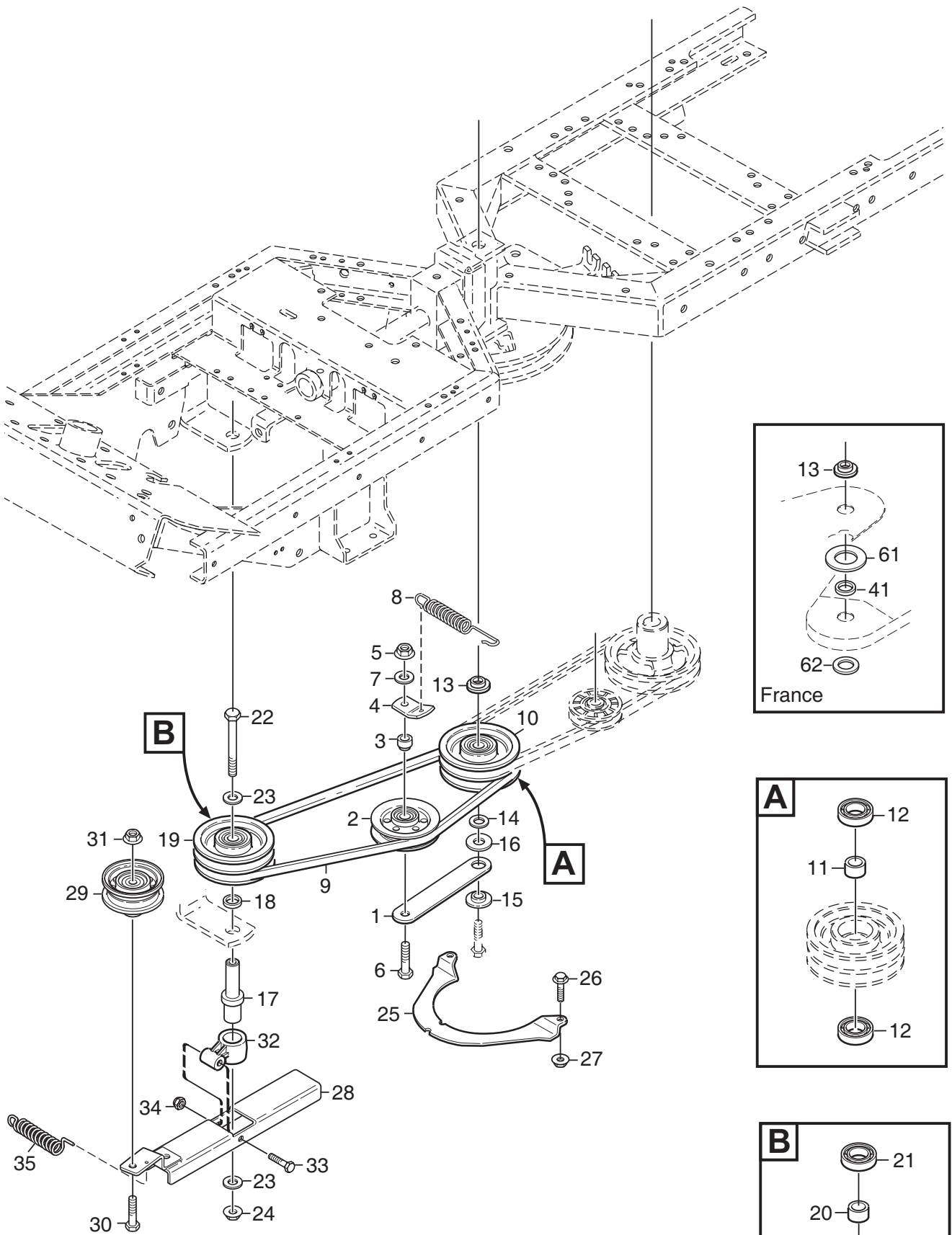
Utgåva Issue		Bildnr Picture No		PARK 4WD TRANSMISSION (hydr)		PARK 4WD TRANSMISSION (hydr)		Sida Page	
2011-11		2039B						146	
Pos. Fig.	Antal/Quantity			Art nr Part No	Benämning	Description	Sats Kit	Anmärkning Notes	
	6377 6378 6312	6175 -26							
	1	1	1	1134-6044-01	Vinkeladapter	Angle coupling		3/4" x 9/16"	
	1A	1	1	9404-0029-01	• O-ring	• O-ring			
	2	1	1	1134-5875-01	Skäringskoppling	Hydraulic coupling		3/4"	
	2A	1	1	9404-0029-01	• O-ring	• O-ring			
	3	1	1	1134-6039-01	Hydraulrör	Hydraulic pipe			
	4	1	1	1134-4948-01	Tredobricka	Seal washer		1/4"	
	5	1	1	1134-6042-01	Snabbkoppling- hane	Quick coupling- male			
	6	1	1	9578-0028-01	Rörklammer	Tube clamp			
	7	1	1	9959-0825-16	Skruv	Screw			
	8	1	1	1134-1565-09	Distans	Spacer			
	9	1	1	1134-5809-01	Adapter	Hydraulic coupling		3/4" x 9/16"	
	9A	1	1	9404-0029-01	• O-ring	• O-ring			
X	10	1	1	1137-0215-04	Hydraulslang	Hydraulic tube		L = 1400 mm	
X	11	1	1	1137-0195-01	Hydraulslang	Hydraulic tube		L = 1275 mm	
X	12	1	1	1137-0212-01	Hydraulslang	Hydraulic tube		L = 1210 mm	
	13	1	1	1134-6011-01	Hydraultank	Hydraulic oil tank			
X	13A	1	1	1137-0272-01	• Tanklock	• Tank cap			
	14	1	1	1134-5941-01	Tankkonsol	Tank bracket			
	15	2	2	9959-0820-16	Skruv	Screw			
	16	2	2	9739-0831-22	Mutter	Nut			
	17	1	1	1134-3203-01	Kabelgenomföring	Grommet			
	18	1	1	1134-5943-01	Tankbygel	Tank loop			
	19	2	2	9747-0631-02	Låsmutter	Lock nut			
X	20	2	2	9578-0035-01	Slangklämma	Hose clamp		14,6-17,8	
	21	1	1	1134-2779-02	Slang	Tube		L = 260 mm	
	22	1	1	9578-0023-04	Slangklämma	Hose clamp		15*8	
	30	1	1	1134-6162-01	Fäste	Bracket			
	31	2	2	9939-0612-16	Skruv	Screw			
	32	2	2	9699-0025-02	Planbricka	Washer			
	33	1	1	1134-6163-01	Wire	Cable			
	34	1	1	9997-0835-12	Skruv	Screw			
	35	2	2	9739-0831-22	Mutter	Nut			
	36	1	1	1134-6084-01	Reglagekonsol	Control bracket			
	37	1	1	1134-6083-01	Reglagestång	Control rod			
	38	1	1	1134-4014-01	Plastknopp	Plastic button			
	39	1	1	1134-2790-01	Gummihylsa	Rubber grommet			
	40	1	1	9675-0009-02	Starlock	Starlock			
	50	1	1	1134-4015-01	Dragstång	Pull rod			
	51	1	1	1134-4014-01	Plastknopp	Plastic button			
	52	1	1	1134-4713-01	Vinkel	Bracket			
	53	1	1	1134-2790-01	Gummihylsa	Rubber grommet			
	54	1	1	9959-0820-16	Skruv	Screw			
	55	1	1	9739-0831-22	Mutter	Nut			
	56	1	1	9675-0009-02	Starlock	Starlock			



Utgåva Issue		Bildnr Picture No		PARK 4WD HJUL 16"		PARK 4WD WHEELS 16"		Sida Page	
2011- 11		2208C						148	
Pos. Fig.	Antal/Quantity			Art nr Part No	Benämning	Description	Sats Kit	Anmärkning Notes	
	6377 6378 6312	6175 -26							
1	2	2		1134-4844-03	Hjulnav	Wheel hub		16 x 7.50 - 8	
2	2	2		1134-3383-02	Kil	Key			
3	2	2		1134-4558-01	Fälg	Rim			
4	2	2		9545-0116-00	Däck	Tyre			
5	2	2		9545-0500-00	Ventil	Valve			
6	6	6		9731-1031-22	Mutter	Nut			
9	4	4		1134-5797-01	• Bricka	• Washer			
10	2	2		9653-0002-04	• Spårryttare	• Lock ring			
21	2	2		1134-4844-02	Hjulnav	Wheel hub			
22	2	2		1134-2471-01	Kil	Key			
23	2	2		1134-4558-01	Fälg	Rim			
24	2	2		9545-0116-00	Däck	Tyre	16 x 7.50 - 8		
25	2	2		9545-0500-00	Ventil	Valve			
26	6	6		9731-1031-22	Mutter	Nut			
30	2	2		9653-0001-04	Spårryttare	Lock ring			
31	2	2		1134-4796-01	Navkapsel	Hub cap			
32	2	2		9947-0540-19	Skruv	Screw			
45	1	1		13-0993-61	Snabbfäste kpl	Quick connections		Inkl. pos 9,10,46-51 Inkl. pos 50-51	
46	1	1		1134-7465-01	• Fästen kpl, vä+hö	• Attachment kit, LH+RH			
47	2	2		1137-0077-01	• Låssprint	• Locking pin			
48	4	4		1134-5686-01	• Lagerbussning	• Bearing bush			
49	2	2		9501-0502-00	• Smörjnippel	• Grease joint			
50	2	2		9898-1035-16	•• Skruv	•• Screw			
51	2	2		9739-1031-22	•• Mutter	•• Nut			
99				9545-0203-00	Innerslang	Inner tube	Reservdel/spare part		



Utgåva Issue		Bildnr Picture No		PARK 4WD KRAFTUTTAG 1		PARK 4WD POWER TAKE-OFF 1		Sida Page	
2011-11		2030						150	
Pos. Fig.	Antal/Quantity			Art nr Part No	Benämning	Description	Sats Kit	Anmärkning Notes	
	6377 6378 6312	6175 -26	6377 6378 6312 FR						
	1	1	1	1134-2018-02	Spännarm	Tension arm			
	2	1	1	1134-9027-02	Spännrulle- grå	Tension roller- grey			
	3	1	1	1134-9071-01	Drivrem	V- belt		= 9585-0129-01	
	4	1	1	9997-1030-16	Skruv	Screw			
	5	1	1	9799-1031-02	Mutter	Nut			
	6	1	1	1134-4162-01	Bromsstång	Brake rod		L = 240 mm	
X	6			1134-4162-02	Bromsstång	Brake rod		L = 226 mm, France	
	7	1	1	9675-0008-02	Starlock	Locking washer			
	8	1	1	1134-4170-01	Nippel	Nipple			
	9	1	1	1134-4111-01	Bromsarm	Brake arm			
	10	1	1	1134-4164-03	Bromsklots	Brake pad			
X	10			1137-0389-01	Bromsklots	Brake pad		France	
	11	2	2	9699-0035-02	Planbricka	Flat washer			
	12	1	1	9897-0825-16	Skruv	Screw			
	13	1	1	9747-0831-02	Mutter	Lock nut			
	14	1	1	9699-0090-02	Planbricka	Flat washer			
	15	1	1	9699-0025-02	Planbricka	Washer			
	16	1	1	9747-0631-02	Låsmutter	Lock nut			
	17	1	1	4231-0013-00	Fjäder	Spring			
	18	1	1	1134-4231-01	Dragfjäder	Spring			
	19	1	1	1134-1565-10	Distans	Spacer			
	20	1	1	9997-0860-12	Skruv	Screw			
	21	1	1	9699-0056-02	Planbricka	Flat washer			
	22	1	1	9739-0831-22	Mutter	Nut			
	23	1	1	1134-4163-01	Ansatsskruv	Shoulder bolt			
	24	1	1	9699-0035-02	Planbricka	Flat washer			
	25	1	1	9739-1031-22	Mutter	Nut			
	26	1	1	1134-3958-01	Remstyrning	Belt guide			
X	26			1134-3958-02	Remstyrning	Belt guide		France	
	27	2	2	9893-0616-16	Skruv	Screw			
	28	1	1	1134-0041-03	Hylsa	Collar			
	29	1	1	9997-1070-12	Skruv	Screw			
	30	1	1	9739-1031-22	Mutter	Nut			



Utgåva Issue		Bildnr Picture No		PARK 4WD KRAFTUTTAG 2		PARK 4WD POWER TAKE-OFF 2		Sida Page	
2011-11		2031B						152	
Pos. Fig.	Antal/Quantity			Art nr Part No	Benämning	Description	Sats Kit	Anmärkning Notes	
	6377 6378 6312	6175 -26	6377 6378 6312 FR						
1	1	1	1	1134-1730-01	Spännhjulssarm	Tension wheel arm			
2	1	1	1	1134-3663-01	Spännrulle	Tension wheel			
3	1	1	1	1134-1888-05	Distans	Spacer			
4	1	1	1	1134-1893-01	Fjäderfäste	Spring attachment			
5	1	1	1	9739-1031-22	Mutter	Nut			
6	1	1	1	9997-1060-12	Skruv	Screw			
7	1	1	1	9699-0035-02	Planbricka	Flat washer			
8	1	1	1	1134-5713-01	Dragfjäder	Spring			
9	1	1	1	1134-9098-01	Drivrem	V-belt			
10	1	1	1	1137-0004-01	Centrumremskiva kpl.	Centre pulley assy		= 9585-0148-01 Inkl. pos 11-12	
11	1	1	1	1134-0051-09	• Distans	• Spacer			
12	2	2	2	9549-0019-00	• Kullager	• Ball bearing			
13	1	1	1	1134-5548-01	Distans	Spacer			
14	1	1	1	9699-0035-02	Planbricka	Flat washer			
15	1	1	1	1134-0222-00	Bricka	Washer			
16	1	1	1	9699-0109-02	Planbricka	Flat washer			
17	1	1	1	1134-5663-01	Axel	Shaft			
18	1	1	1	1134-0052-00	Lagerdistans	Bearing spacer			
19	1	1	1	1137-0004-01	Centrumremskiva kpl.	Centre pulley assy		Inkl. pos 20-21	
20	1	1	1	1134-0051-09	• Distans	• Spacer			
21	2	2	2	9549-0019-00	• Kullager	• Ball bearing			
22	1	1	1	9997-1011-06	Skruv	Screw			
23	2	2	2	9699-0030-02	Planbricka	Flat washer			
24	1	1	1	9739-1031-22	Mutter	Nut			
25	1	1		1134-3654-01	Fingerskydd	Finger guard			
26	2	2		9959-0612-16	Skruv	Screw			
27	2	2		9739-0631-22	Mutter	Nut			
28	1	1		1134-5660-01	Spännarm	Tension arm			
29	1	1	1	1134-5823-01	Spännrulle	Tension roller			
30	1	1	1	9997-1050-16	Skruv	Screw			
31	1	1	1	9739-1031-22	Mutter	Nut			
32	1	1	1	1134-6314-01	Spännarmsfäste	Attachment			
33	1	1	1	9997-0645-12	Skruv	Screw			
34	1	1	1	9747-0631-02	Låsmutter	Lock nut			
35	1	1	1	1134-5824-01	Fjäder	Spring			
X 60			1	1137-0386-01	Spännarm	Tension arm		France	
X 61			1	1137-0353-01	Bricka (plast)	Washer (plastic)		26x50x2 mm	
62			1	9699-0104-02	Bricka	Washer		17x30x3 mm	