

# Genuine Spare Parts

www.stiga.com

## PARK Mower Deck 105 Combi Model Year 2011/2012

includes:

13-2972-34 Mower deck 105 Combi

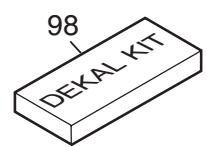
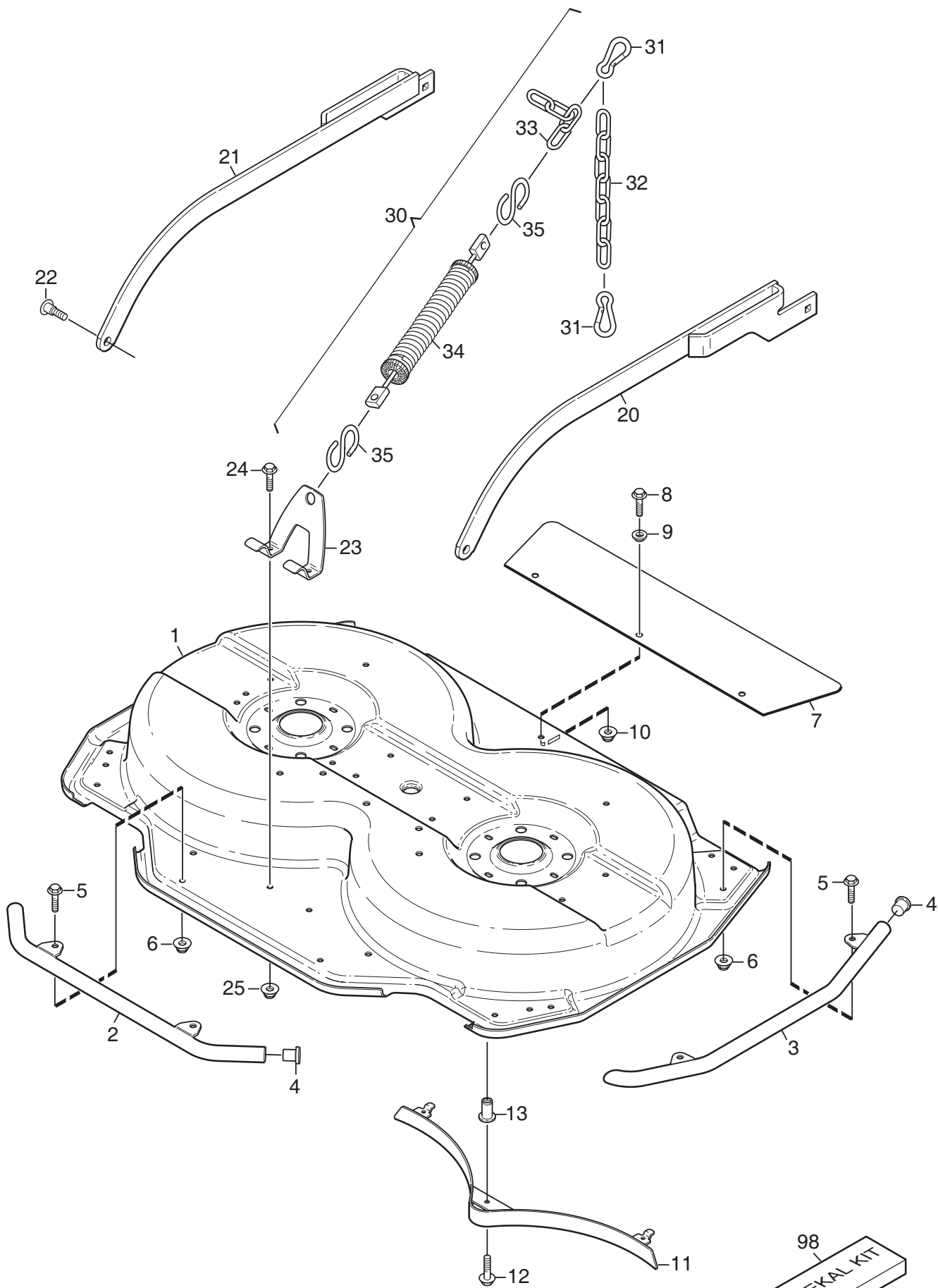
13-2974-34 Mower deck 105 Combi Electric

- Use GLOBAL GARDEN PRODUCT Genuine Spare Parts specified in the parts list for repair and/or replacement.
- The contents described in the parts list may change due to improvement.
- The drawings of the spare parts are only indicative and might not represent the part in question exactly.
- The indications "right" - "left" - "front" - "rear" refer to the position of the operator when using the machine.
- When placing orders of parts for repair and/or replacement, make sure that the illustrated parts list is the one applying to the machine's year of manufacture, as shown on the identification plate attached to the machine.

COPYRIGHT by GLOBAL GARDEN PRODUCTS

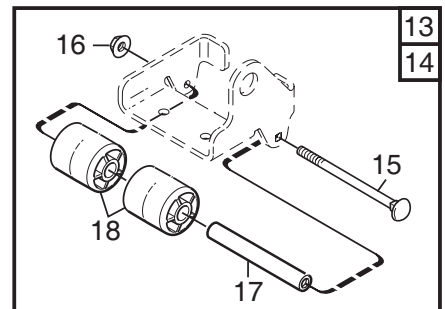
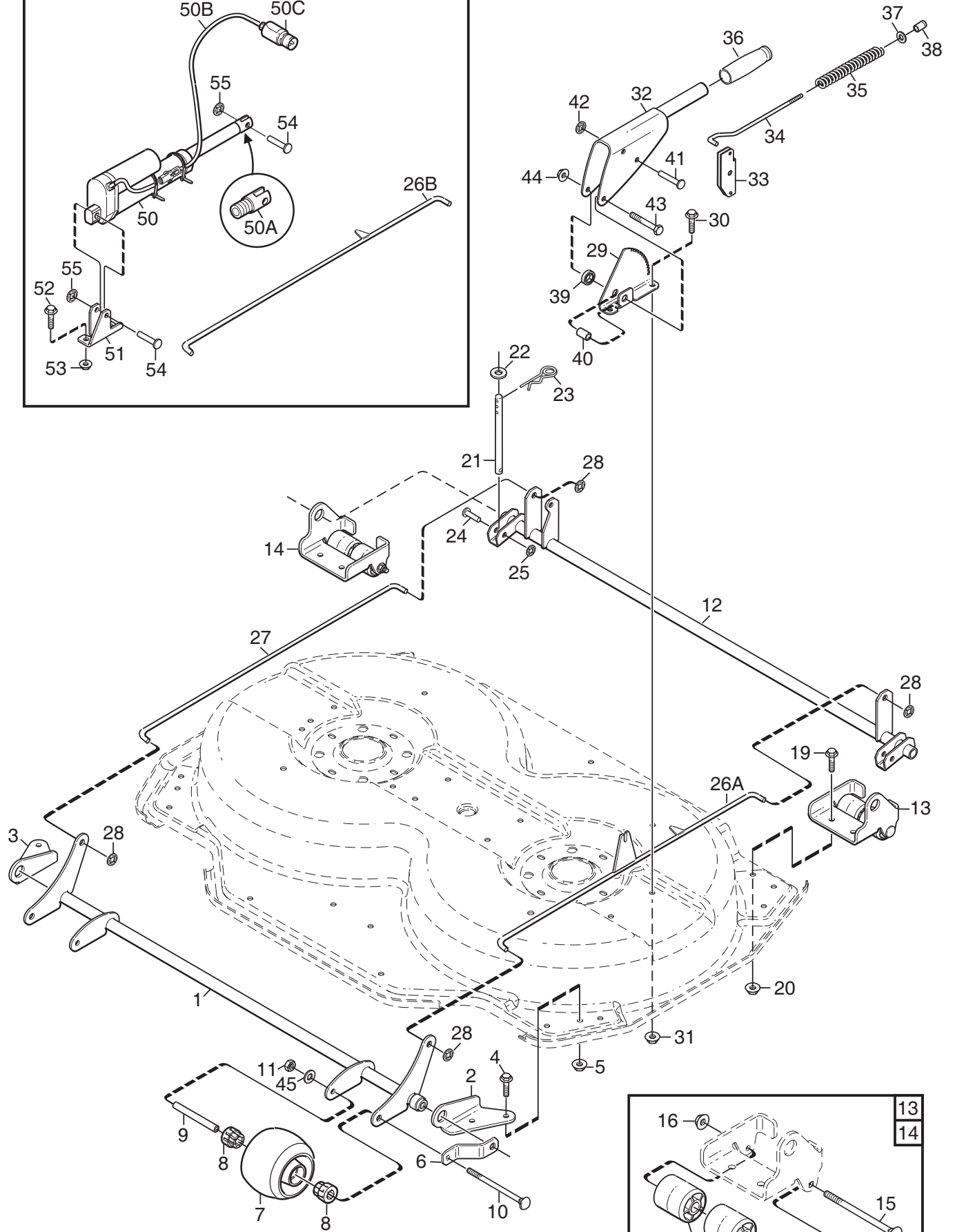
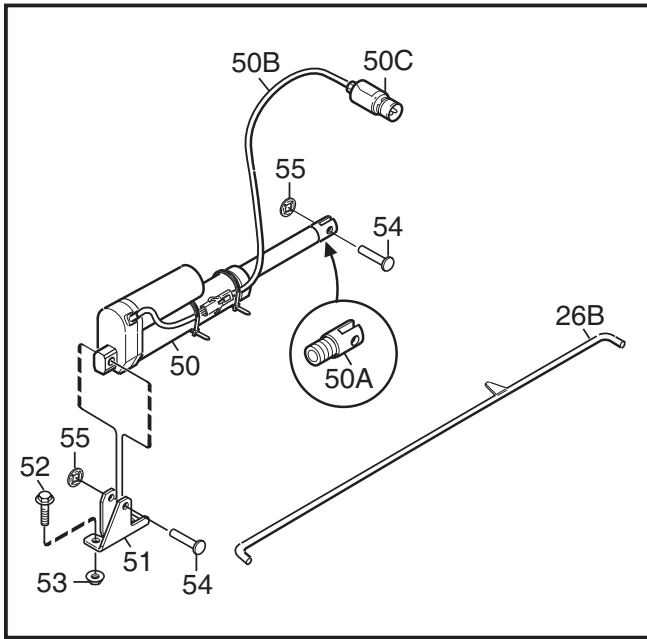
All rights reserved. No part of this material may be reproduced or transmitted, in any form or by any means, electronic or mechanical, including photocopying, recording or by any information storage and retrieval system, without permission in writing from GLOBAL GARDEN PRODUCTS.



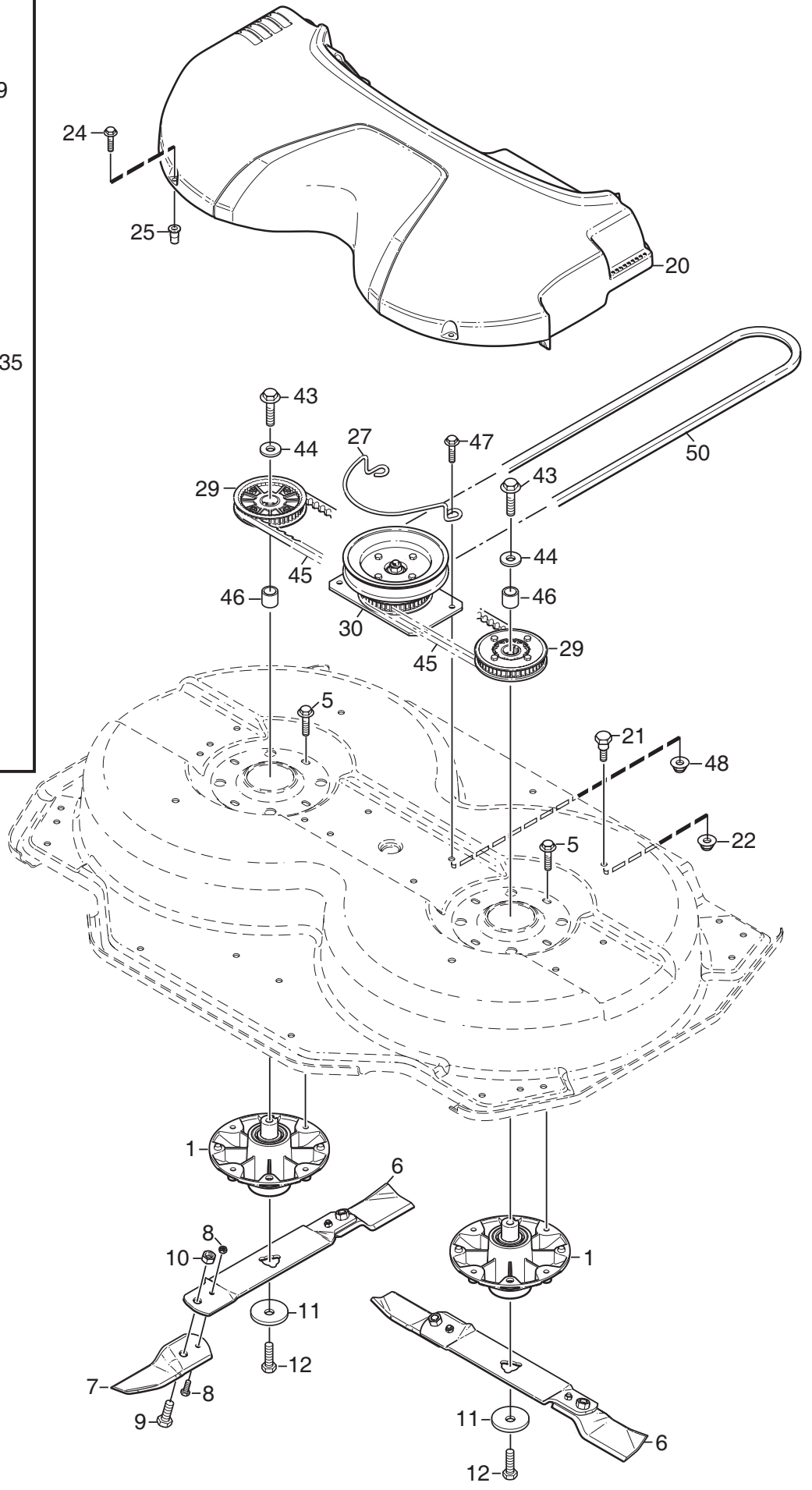
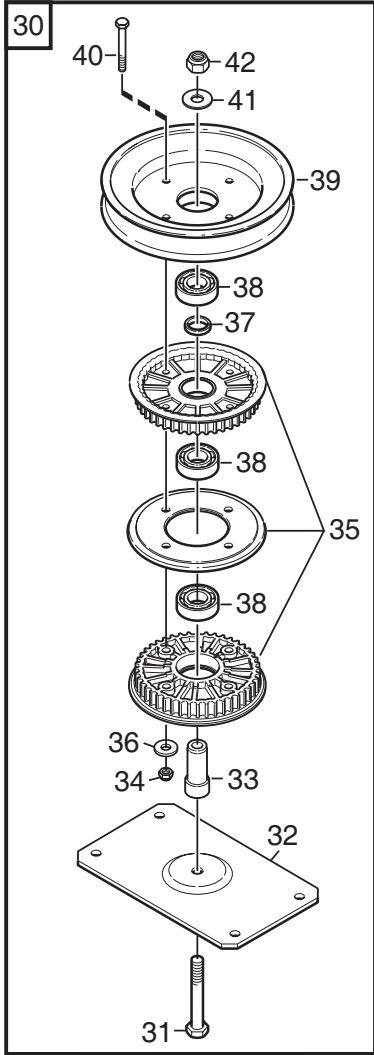


Utgåva Issue 2011-11		Bildnr Picture No 2135A		PARK KLIPPAGGREGAT 105 COMBI RAM		PARK MOWER DECK 105 COMBI FRAME		Sida Page 198		
Pos. Fig.	Antal/Quantity				Art nr Part No	Benämning	Description	Sats Kit	Anmärkning Notes	
	2972	2974	-34							
1	1				1134-6191-01	Kåpa- gul .....	Casing- yellow .....		Inkl. pos 13 (3 st)	
2	1				1134-6208-01	Frontskydd- grå .....	Front guard tube- grey .....			
3	2				1134-6223-01	Sidoskydd- grå .....	Side guard tube- grey .....			
4	4				9403-0025-80	Ändplugg- grå .....	End cap- grey .....			
5	6				9959-0816-16	Skruv .....	Screw .....			
6	6				9739-0831-22	Mutter .....	Nut .....			
7	1				1134-6281-03	Gummiskydd .....	Rubber guard .....			
8	3				9959-0816-16	Skruv .....	Screw .....			
9	3				1134-4185-01	Ansatsbricka .....	Flange washer .....			
10	3				9739-0831-22	Mutter .....	Nut .....			
11	1				1134-6231-01	Kombiplugg .....	Mulching plug .....			
12	1				9959-0816-16	Skruv .....	Screw .....			
13	3				1134-5595-01	• Nitmutter .....	• Riveting nut .....			
20	1				1134-6237-01	Aggregatsarm- vä, grå .....	Deck arm- LH, grey .....			
21	1				1134-6237-02	Aggregatsarm- hö, grå .....	Deck arm- RH, grey .....			
22	2				1134-6279-01	Ansatsskruv .....	Shoulder bolt .....			
23	1				1134-6315-01	Lyftfäste- grå .....	Lift bracket- grey .....			
24	2				9959-0816-16	Skruv .....	Screw .....			
25	2				9739-0831-22	Mutter .....	Nut .....			
30	1				1134-6362-01	Lyftfjäder kpl .....	Lift spring assy .....			
31	2				1134-5528-01	• Karbinhake .....	• Snap hook .....			
32	1				1134-6368-02	• Kedja .....	• Chain .....			
33	1				1134-6368-01	• Kedja .....	• Chain .....			
34	1				1134-6365-03	• Lyftfjäder .....	• Lift spring .....			
35	2				1134-4623-01	• S- krok .....	• S- hook .....			
98	1				1134-5594-02	Dekalsats .....	Label kit .....			
99	1				8211-7000-10	Bruksanvisning .....	Owner's manual .....			
										Inkl. pos 31 - 35
										7 links 4 links
										Ej ill/not ill.

X



Utgåva Issue 2011-11		Bildnr Picture No 2136		PARK KLIPPAGGREGAT 105 COMBI REGLAGE		PARK MOWER DECK 105 COMBI CONTROLS		Sida Page 200	
Pos. Fig.	Antal/Quantity			Art nr Part No	Benämning	Description	Sats Kit	Anmärkning Notes	
	2972 -34	2974 -34							
1	1	1		1134-6275-01	Framaxel- gul .....	Front axle- yellow .....			
2	1	1		1134-6215-01	Fäste fram- vä, gul .....	Bracket fr- LH, yellow .....			
3	1	1		1134-6215-02	Fäste fram- hö, gul .....	Bracket fr- RH, yellow .....			
4	4	4		9959-0816-16	Skruv .....	Screw .....			
5	4	4		9739-0831-22	Mutter .....	Nut .....			
6	2	2		1134-6278-01	Avbärare- grå .....	Guide- grey .....			
7	2	2		1134-4284-01	Hjul .....	Wheel .....			
8	4	4		1134-4319-01	Lager .....	Bearing .....			
9	2	2		1134-4318-01	Hylsa .....	Wheel axle .....			
10	2	2		9897-0813-02	Skruv .....	Screw .....			
11	2	2		9747-0831-02	Mutter .....	Lock nut .....			
12	1	1		1134-6197-01	Bakaxel- gul .....	Rear axle- yellow .....			
13	1	1		1134-6282-01	Rulle- vä, m- fäste .....	Roller- LH, w/bracket .....		Inkl. pos 15 - 18	
14	1	1		1134-6282-02	Rulle- hö, m- fäste .....	Roller- RH, w/bracket .....		Inkl. pos 15 - 18	
15	1	1		9897-0813-02	• Skruv .....	• Screw .....			
16	1	1		9739-0831-22	• Mutter .....	• Nut .....			
17	1	1		1134-4318-01	• Hylsa .....	• Wheel axle .....			
18	1	1		1134-9126-01	• Rulle .....	• Roller .....		Sats 2 st/kit of 2	
19	4	4		9959-0816-16	Skruv .....	Screw .....			
20	4	4		9739-0831-22	Mutter .....	Nut .....			
21	2	2		1134-6198-01	Pinne .....	Stud .....			
22	2	2		9699-0104-02	Bricka .....	Washer .....			
23	2	2		9598-2001-02	Låsnål .....	Spring pin .....			
24	2	2		9646-0098-22	Nit .....	Rivet .....			
25	2	2		9675-0012-02	Starlock .....	Locking washer .....			
26 A	1			1134-6249-01	Tryckstång- vä .....	Push rod- LH .....			
26 B		1		1134-6250-01	Tryckstång- vä .....	Push rod- LH .....			
27	1	1		1134-6246-01	Tryckstång- hö .....	Push rod- RH .....			
28	4	4		9675-0015-02	Starlock .....	Lock washer .....			
29	1			1137-0259-01	Höjdinst.segment .....	Height adj. quadrant .....			
30	2			9959-0816-16	Skruv .....	Screw .....			
31	2			9739-0831-22	Mutter .....	Nut .....			
32	1			1134-6244-01	Höjdinst.spak- grå .....	Height adj.lever- grey .....			
33	1			1134-6254-01	Spärr .....	Catch .....			
34	1			1134-5444-01	Tryckstång .....	Push rod .....			
35	1			1134-5445-01	Fjäder .....	Spring .....			
36	1			1134-5503-01	Handtag .....	Handle .....			
37	1			9699-0087-02	Planbricka .....	Flat washer .....			
38	1			1134-3051-01	Spärrknapp .....	Locking knob .....			
39	1			1134-6286-03	Distans .....	Spacer .....			
40	1			1134-1565-16	Distans .....	Spacer .....			
41	2			9646-0105-22	Nit .....	Rivet .....			
42	2			9672-0006-02	Starlock .....	Lock washer .....			
43	1			9997-0850-16	Skruv .....	Screw .....			
44	1			9747-0831-02	Mutter .....	Lock nut .....			
45	2	2		9699-0028-02	Planbricka .....	Flat washer .....			
50		1		1134-6417-01	Ställdon .....	Actuator .....			
50 A		1		1134-6373-01	• Kolvstångsända .....	• Rod end .....			
50 B		1		1134-6418-02	• Kabel .....	• Cable .....		L = 490 mm	
50 C		1		1134-6182-01	• • Hankontakt .....	• • Male terminal .....			
51		1		1134-6192-01	Fäste .....	Bracket .....			
52		2		9959-0816-16	Skruv .....	Screw .....			
53		2		9739-0831-22	Mutter .....	Nut .....			
54		2		9646-0098-22	Nit .....	Rivet .....			
55		2		9675-0012-02	Starlock .....	Locking washer .....			



Utgåva Issue 2011- 11		Bildnr Picture No 2137B		PARK KLIPPAGGREGAT 105 COMBI TRANSMISSION		PARK MOWER DECK 105 COMBI TRANSMISSION		Sida Page 202	
Pos. Fig.	Antal/Quantity				Art nr Part No	Benämning	Description	Sats Kit	Anmärkning Notes
	2972 2974 -34								
1	2				1134-5831-01 Lagerbox kpl.....	Bearing box assy.....			
5	8				9945-0825-16 Skruv.....	Screw.....			
6	1				1134-9118-01 Knivbalk kpl.....	Blade bar assy.....			Sats 2 st/kit of 2
7	1				1134-9119-01 • Knivsats kpl.....	• Blade kit.....			2 knivar/2 blade tips
8	1				1134-9054-01 •• Brytbultsats.....	•• Shear bolt kit.....			
9	2				1134-6311-01 •• Bult.....	•• Bolt.....			7/16" UNF
10	2				1134-6312-01 •• Låsmutter.....	•• Lock nut.....			7/16" UNF
11	2				1134-6211-01 Knivbricka.....	Blade washer.....			
12	2				9997-1060-12 Skruv.....	Screw.....			
20	1				1134-6280-01 Transm.kåpa- grå.....	Transm.cover- grey.....			
21	2				1134-0240-01 Ansattsskruv.....	Shoulder screw.....			
22	2				9739-0831-22 Mutter.....	Nut.....			
24	2				9945-0825-16 Skruv.....	Screw.....			
25	2				1134-5595-01 Nitmutter.....	Riveting nut.....			
27	1				1134-6431-01 Remstyrning.....	Belt guide.....			
29	1				1134-9127-01 Kuggremskiva m.nav.....	Belt pulley w/hub.....			Sats 2 st/kit of 2
30	1				1137-0116-02 Remskiva kpl.....	Belt pulley.....			Inkl. pos 31 - 42
31	1				9997-1070-12 • Skruv.....	• Screw.....			
32	1				1134-6209-01 • Fästplåt.....	• Bracket.....			
33	1				1134-6205-02 • Tapp.....	• Shaft.....			
34	4				9747-0631-02 • Låsmutter.....	• Lock nut.....			
35	1				1134-9128-02 • Kuggremskiva.....	• Belt pulley.....			
36	4				9699-0060-02 • Planbricka.....	• Flat washer.....			
37	1				1134-3725-06 • Distans.....	• Spacer.....			H = 1.5 mm
38	3				9549-0019-00 • Kullager.....	• Ball bearing.....			
39	1				1137-0014-01 • Remskiva.....	• Belt pulley.....			Ø = 168 mm
40	4				9997-0650-12 • Skruv.....	• Screw.....			
41	1				9699-0030-02 • Planbricka.....	• Flat washer.....			
42	1				9731-1031-22 • Mutter.....	• Nut.....			
43	2				9997-1060-12 Skruv.....	Screw.....			
44	2				1134-5406-01 Bricka.....	Washer.....			
45	2				9585-0165-01 Kuggrem.....	Toothed belt.....			
46	2				1134-5400-04 Distans.....	Spacer.....			
47	4				9959-0820-16 Skruv.....	Screw.....			
48	4				9739-0831-22 Mutter.....	Nut.....			
50	1				1134-9149-01 Drivrem (4WD).....	V- belt (4WD).....			= 9585- 0199- 01
50	1				1134-9150-01 Drivrem (2WD).....	V- belt (2WD).....			= 9585- 0200- 01

X