

# Genuine Spare Parts

www.stiga.com

## PARK Mower Deck 105 Combi Model Year 2011/2012

includes:

13-2972-34 Mower deck 105 Combi

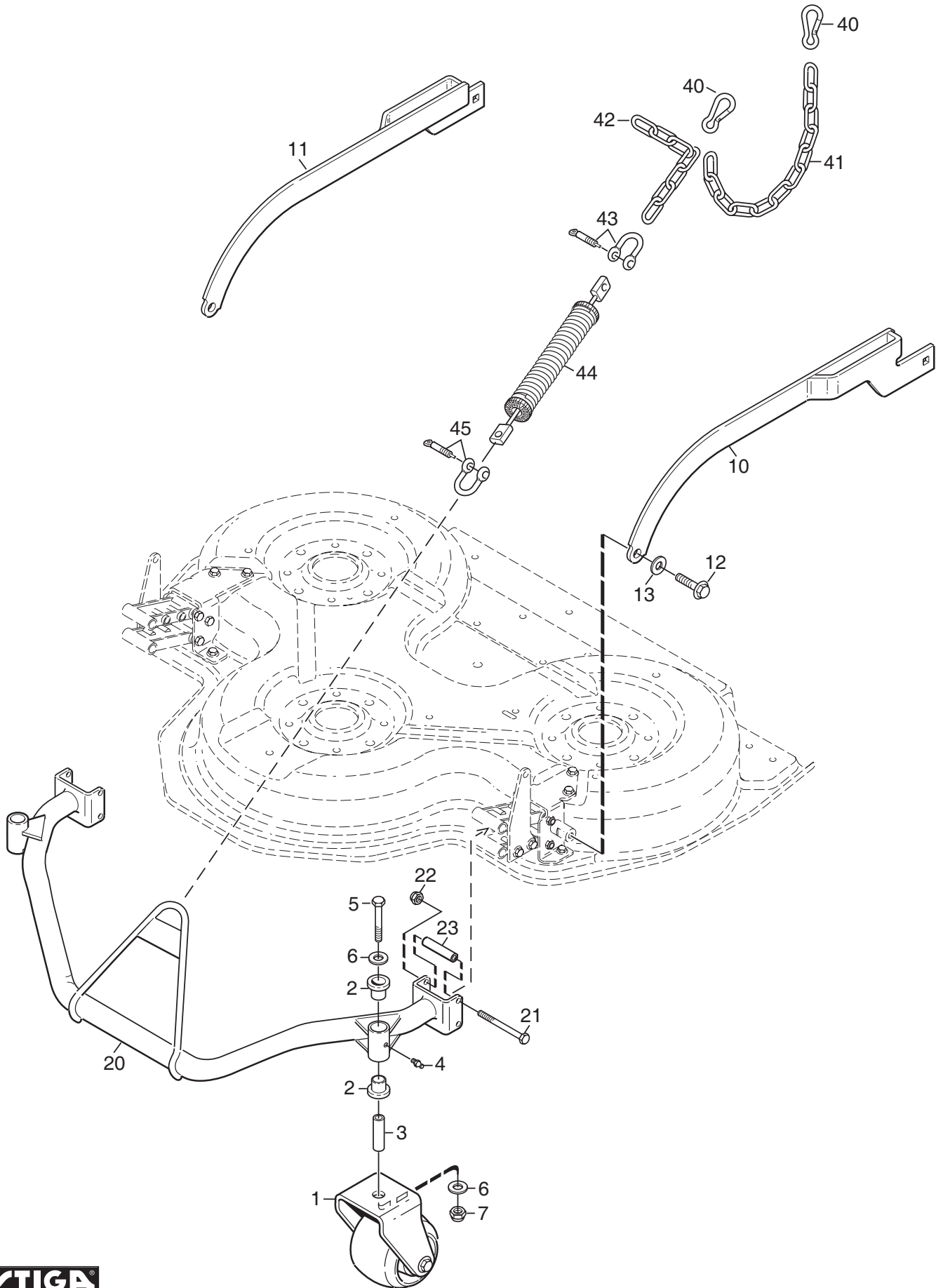
13-2974-34 Mower deck 105 Combi

- Use GLOBAL GARDEN PRODUCT Genuine Spare Parts specified in the parts list for repair and/or replacement.
- The contents described in the parts list may change due to improvement.
- The drawings of the spare parts are only indicative and might not represent the part in question exactly.
- The indications "right" - "left" - "front" - "rear" refer to the position of the operator when using the machine.
- When placing orders of parts for repair and/or replacement, make sure that the illustrated parts list is the one applying to the machine's year of manufacture, as shown on the identification plate attached to the machine.

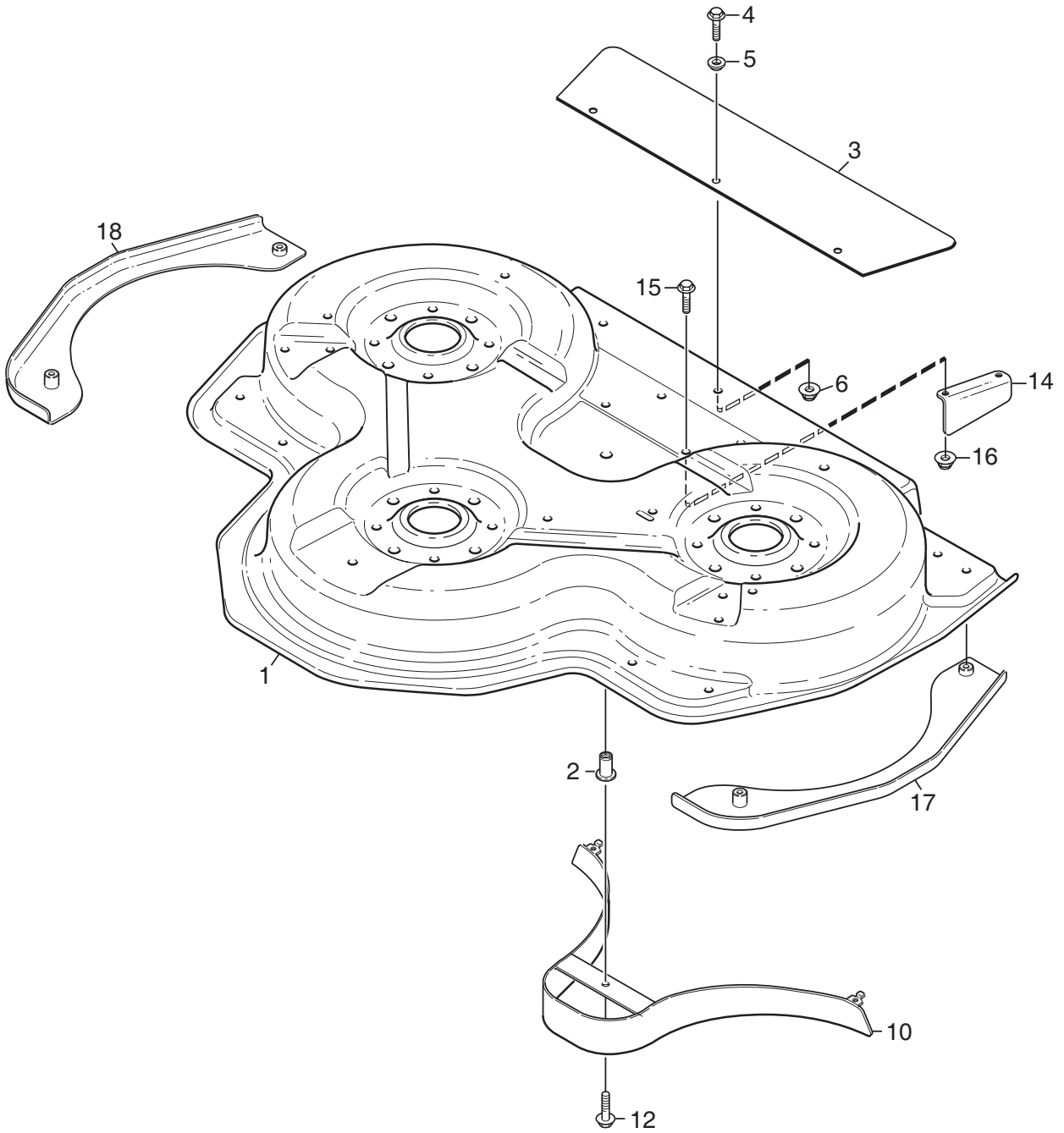
COPYRIGHT by GLOBAL GARDEN PRODUCTS

All rights reserved. No part of this material may be reproduced or transmitted, in any form or by any means, electronic or mechanical, including photocopying, recording or by any information storage and retrieval system, without permission in writing from GLOBAL GARDEN PRODUCTS.

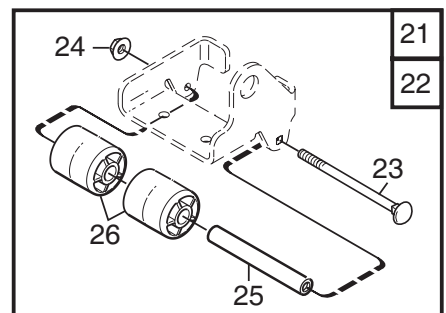
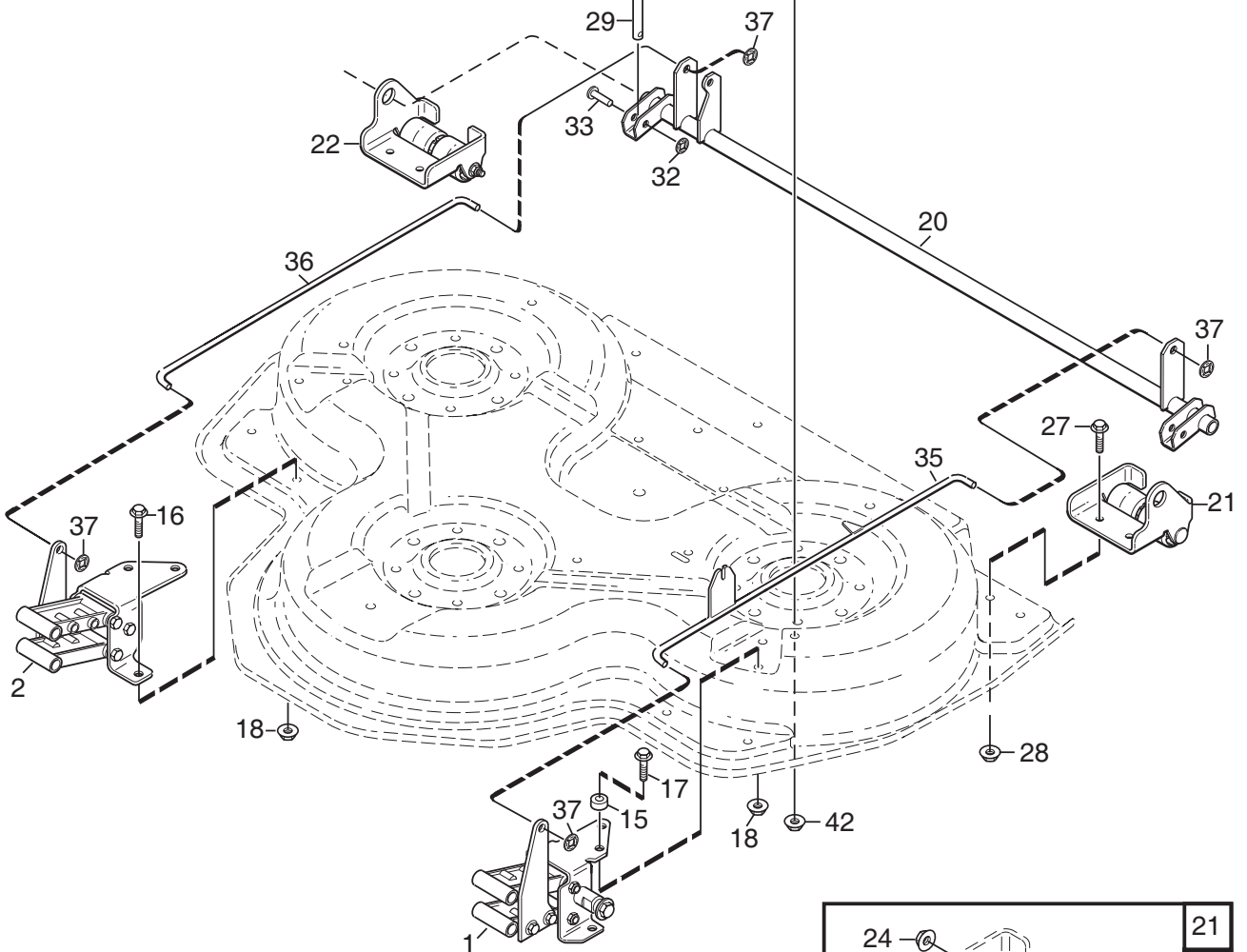
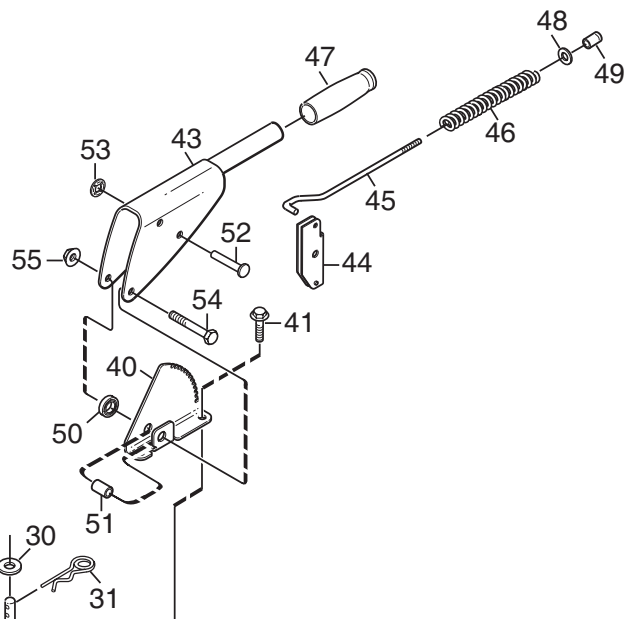
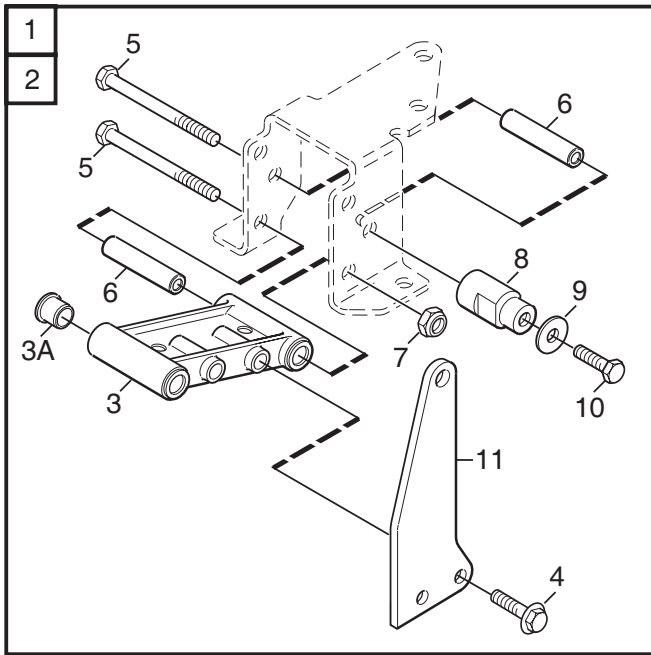




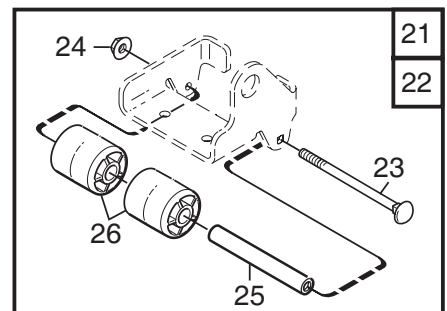
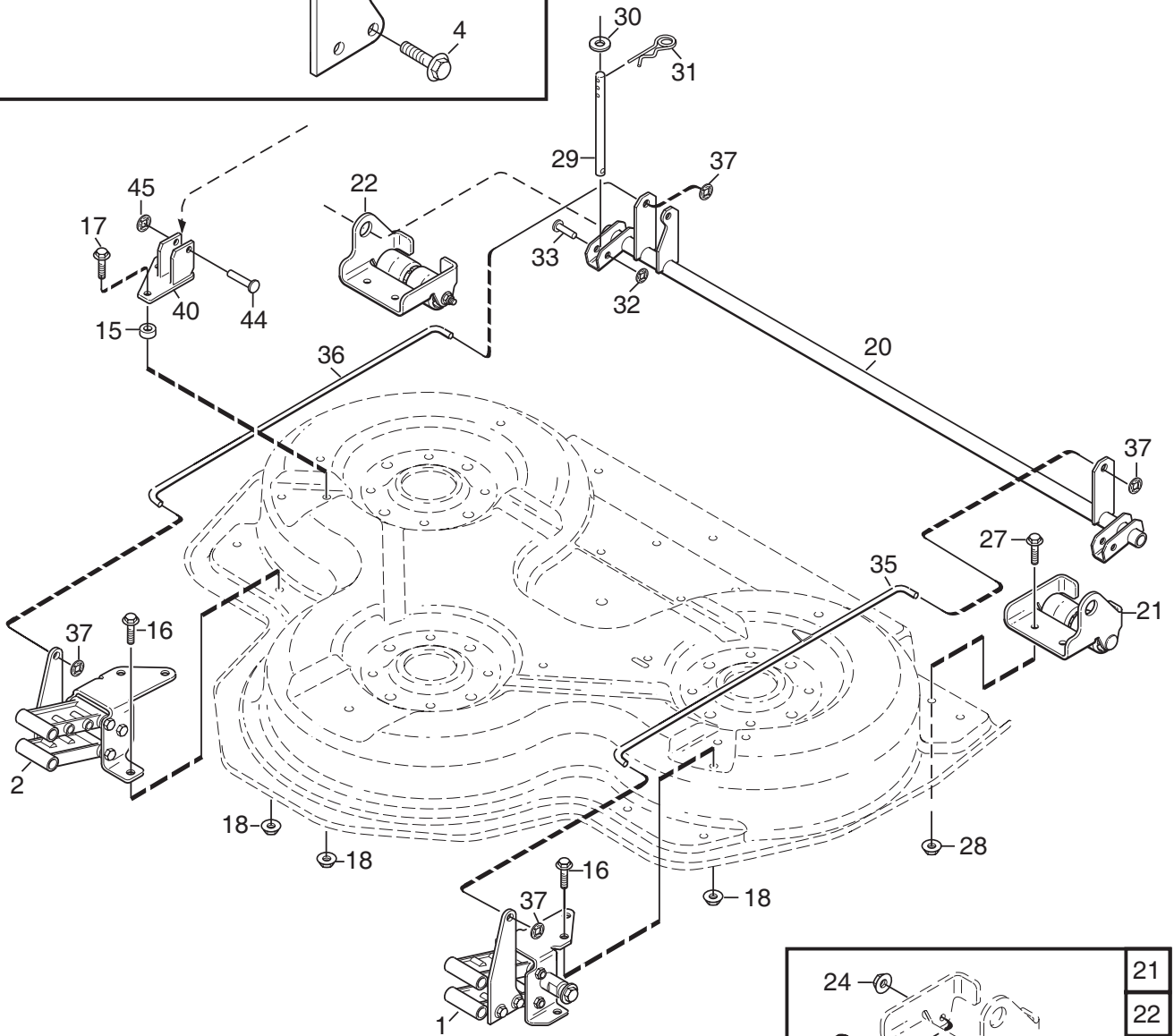
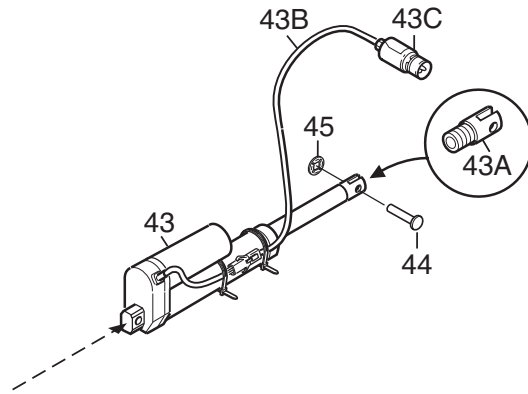
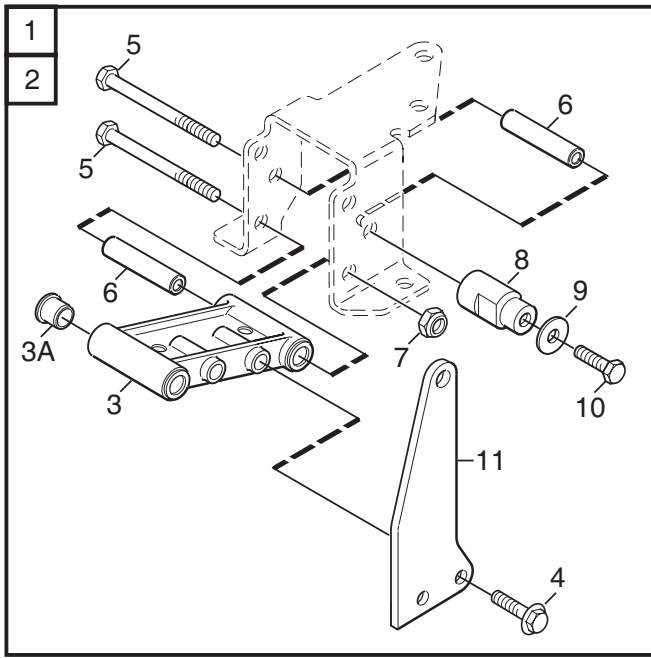
Utgåva Issue 2011-11		Bildnr Picture No 2760		PARK KLIPPAGGREGAT 100 COMBI 3 RAM		PARK MOWER DECK 100 COMBI 3 FRAME		Sida Page 204	
Pos. Fig.	Antal/Quantity				Art nr Part No	Benämning	Description	Sats Kit	Anmärkning Notes
	2977 2978 -31								
	1	2			1134-5884-01	Pivothjul .....	Pivot wheel .....		
	2	1			1134-9026-01	Lagerbussning.....	Bearing bush kit.....		Sats 4 st/kit of 4
	3	2			1134-5677-01	Distans .....	Spacer.....		
	4	2			9501-0500-00	Smörjnippel.....	Grease joint.....		
	5	2			9997-1090-12	Skruv .....	Screw.....		
	6	4			9699-0030-02	Planbricka.....	Flat washer.....		
	7	2			9747-1031-02	Låsmutter .....	Lock nut .....		
X	10	1			1137-0166-01	Aggregatsarm- vä .....	Mower deck arm- LH.....		
X	11	1			1137-0166-02	Aggregatsarm- hö.....	Mower deck arm- RH.....		
	12	2			9959-0816-16	Skruv .....	Screw.....		
	13	2			9699-0056-02	Planbricka.....	Flat washer.....		
X	20	1			1137-0141-01	Frontrör .....	Front tube .....		
	21	4			9997-0880-16	Skruv .....	Screw .....		
	22	4			9747-0831-02	Mutter.....	Lock nut .....		
X	23	4			1137-0151-01	Axel .....	Axle.....		
	40	2			1134-5528-01	Karbinhake.....	Snap hook.....		
	41	1			1134-6368-03	Kedja .....	Chain.....		12 links
	42	1			1134-6368-02	Kedja .....	Chain.....		7 links
	43	1			1134-2629-01	Lyftlänk.....	Lift link .....		
	44	1			1134-6365-02	Lyftfjäder .....	Lift spring .....		
	45	1			1134-2629-01	Lyftlänk.....	Lift link .....		



Utgåva Issue 2011-11		Bildnr Picture No 2759		PARK KLIPPAGGREGAT 100 COMBI 3 KÅPA		PARK MOWER DECK 100 COMBI 3 CASING		Sida Page 206	
Pos. Fig.	Antal/Quantity				Art nr Part No	Benämning	Description	Sats Kit	Anmärkning Notes
	2977 2978 -31								
X	1	1			1137-0140-01	Kåpa .....	Mower deck casing .....		Inkl. pos 2
	2	1			1134-5595-01	• Nitmutter .....	• Riveting nut .....		
	3	1			1134-6281-03	Gummiskydd .....	Rubber guard .....		
	4	3			9959-0816-16	Skruv .....	Screw .....		
	5	3			1134-4185-01	Ansatsbricka .....	Flange washer .....		
	6	3			9739-0831-22	Mutter .....	Nut .....		
X	10	1			1137-0163-01	Mulcherplugg .....	Mulching plug .....		
	12	1			9959-0816-16	Skruv .....	Screw .....		
X	14	2			1137-0244-01	Ledskena .....	Guide plate .....		
	15	4			9945-0825-16	Skruv .....	Screw .....		
	16	4			9739-0831-22	Mutter .....	Nut .....		
X	17	1			1137-0245-01	Slitskydd- vä .....	Wear plate- LH .....		
X	18	1			1137-0245-02	Slitskydd- hö .....	Wear plate- RH .....		
	99	1			1134-5594-02	Dekalsats .....	Label kit .....		

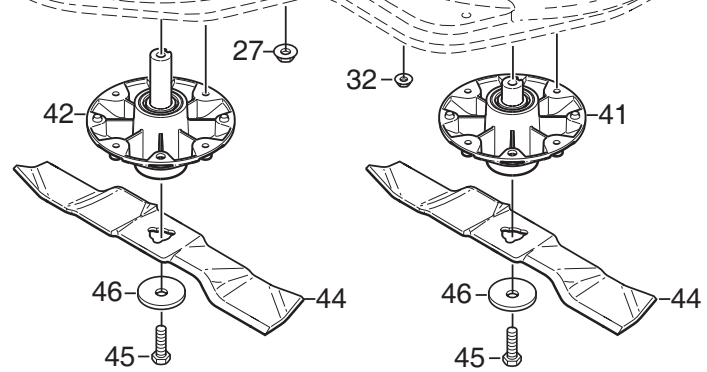
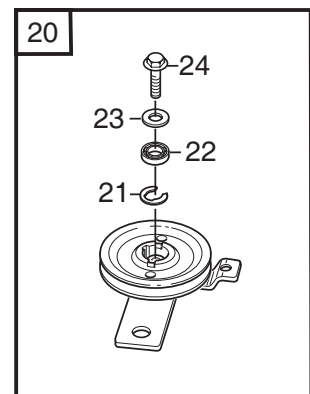
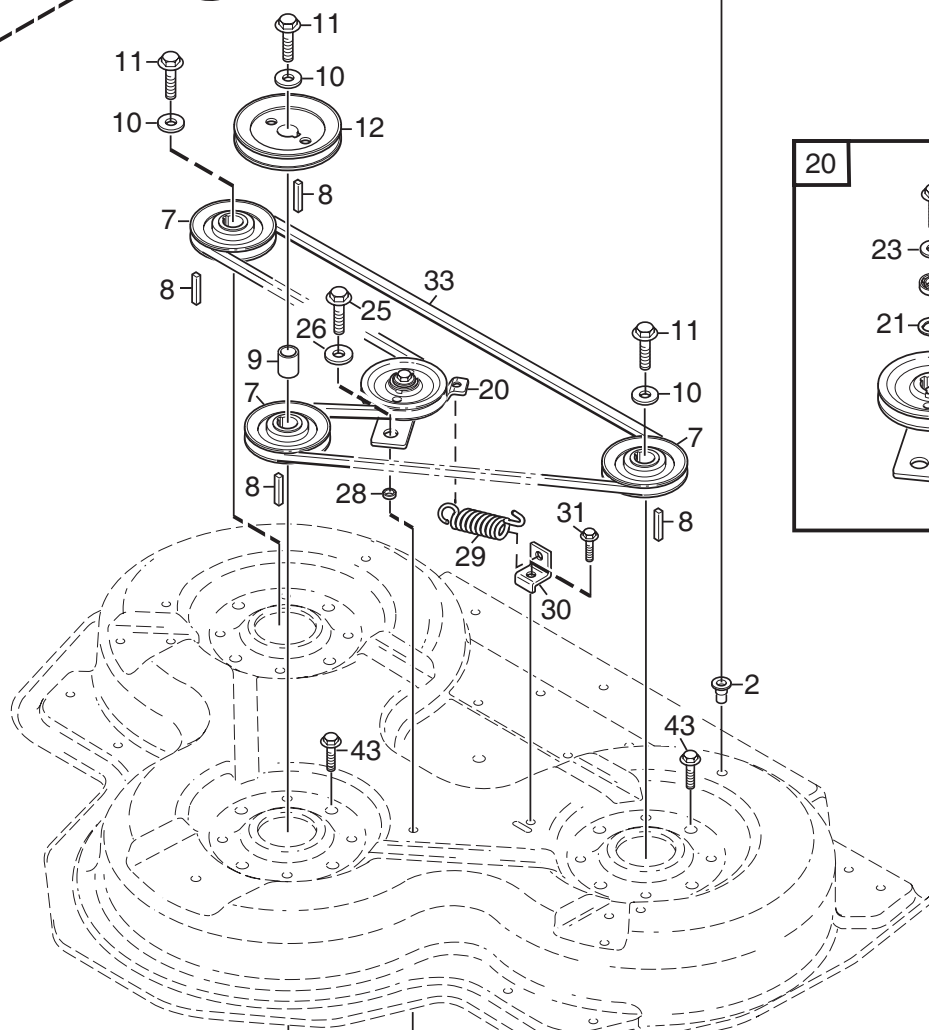
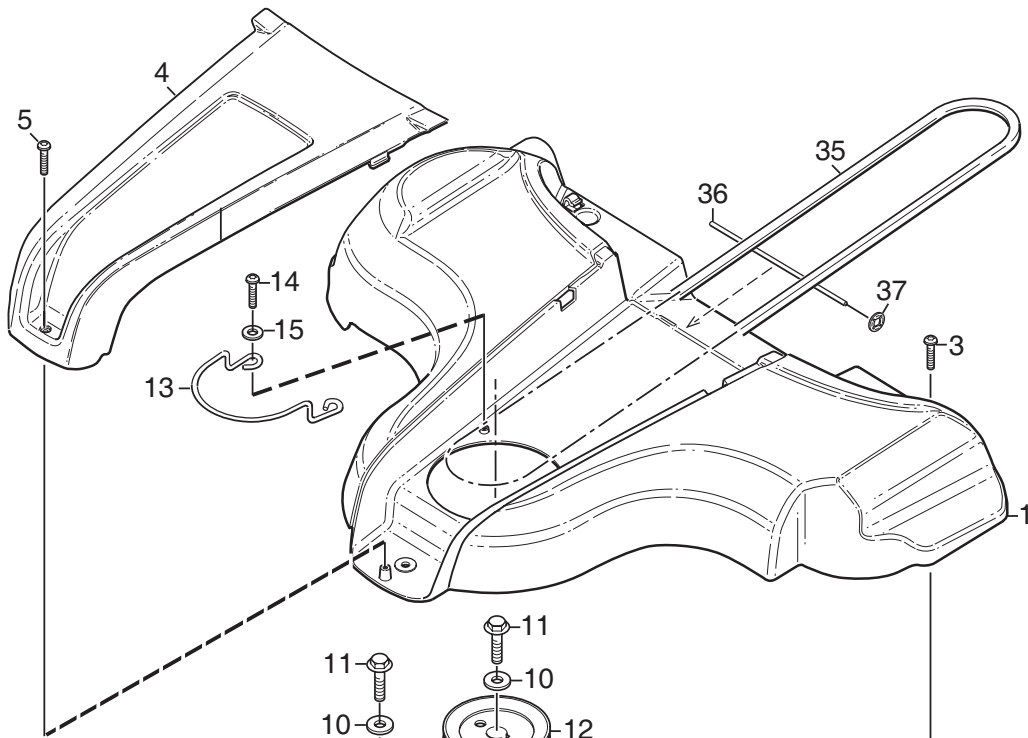


Utgåva Issue		Bildnr Picture No		PARK KLIPPAGGREGAT 100 COMBI 3 REGLAGE		PARK MOWER DECK 100 COMBI 3 CONTROLS		Sida Page	
2011-11		2761						208	
Pos. Fig.	Antal/Quantity				Art nr Part No	Benämning	Description	Sats Kit	Anmärkning Notes
	2977 -31								
X	1	1			1137-0201-01	Länksystem- vä.....	Linkage- LH .....		Inkl. pos 3 - 11
X	2	1			1137-0201-02	Länksystem- hö .....	Linkage- RH .....		Inkl. pos 3 - 11
X	3	2			1137-0199-01	• Länkkarm .....	• Slewing bracket.....		Inkl. pos 3A
X	3A	1			1134-9155-01	•• Bussning .....	•• Bushing .....		Sats 8 st/kit of 8
	4	2			9997-0820-16	• Skruv .....	• Screw .....		
	5	3			9997-0880-16	• Skruv .....	• Screw .....		
X	6	3			1137-0151-01	• Axel.....	• Axle .....		
	7	2			9747-0831-02	• Mutter .....	• Lock nut .....		
X	8	1			1137-0154-01	• Distans .....	• Spacer .....		
	9	1			9699-0056-02	• Planbricka .....	• Flat washer .....		
	10	1			9997-0820-16	• Skruv .....	• Screw .....		
X	11	1			1137-0200-01	• Pivotplatta.....	• Pivot plate .....		
X	15	1			1137-0155-01	Distans .....	Spacer .....		
	16	8			9959-0816-16	Skruv .....	Screw .....		
	17	1			9997-0840-12	Skruv .....	Screw .....		
	18	9			9739-0831-22	Mutter .....	Nut .....		
	20	1			1134-6197-01	Bakaxel- gul .....	Rear axle- yellow .....		
	21	1			1134-6282-01	Rulle- vä, m- fäste .....	Roller- LH, w/bracket .....		Inkl. pos 22 - 26
	22	1			1134-6282-02	Rulle- hö, m- fäste .....	Roller- RH, w/bracket .....		Inkl. pos 22 - 26
	23	1			9897-0813-02	• Skruv .....	• Screw .....		
	24	1			9739-0831-22	• Mutter.....	• Nut .....		
	25	1			1134-4318-01	• Hylsa .....	• Wheel axle .....		
	26	1			1134-9126-01	• Rulle .....	• Roller .....		Sats 2 st/kit of 2
	27	4			9959-0816-16	Skruv .....	Screw .....		
	28	4			9739-0831-22	Mutter .....	Nut .....		
	29	2			1134-6198-01	Pinne .....	Stud .....		
	30	2			9699-0104-02	Bricka .....	Washer .....		
	31	2			9598-2001-02	Låsnål .....	Spring pin .....		
	32	2			9675-0012-02	Starlock .....	Locking washer .....		
	33	2			9646-0098-22	Nit .....	Rivet .....		
X	35	1			1137-0159-01	Tryckstång .....	Push rod .....		
X	36	1			1137-0160-01	Tryckstång .....	Push rod .....		
	37	4			9675-0015-02	Starlock .....	Lock washer .....		
X	40	1			1137-0259-01	Höjdinst.segment .....	Height adj. quadrant.....		
	41	1			9959-0816-16	Skruv .....	Screw .....		
	42	1			9739-0831-22	Mutter .....	Nut .....		
	43	1			1134-6244-01	Höjdinst.spak- grå .....	Height adj.lever- grey .....		
	44	1			1134-6254-01	Spärr .....	Catch .....		
	45	1			1134-5444-01	Tryckstång .....	Push rod .....		
	46	1			1134-5445-01	Fjäder .....	Spring .....		
	47	1			1134-5503-01	Handtag .....	Handle .....		
	48	1			9699-0087-02	Planbricka .....	Flat washer .....		
	49	1			1134-3051-01	Spärrknapp .....	Locking knob .....		
	50	1			1134-6286-03	Distans .....	Spacer .....		
	51	1			1134-1565-16	Distans .....	Spacer .....		
	52	2			9646-0105-22	Nit .....	Rivet .....		
	53	2			9672-0006-02	Starlock .....	Lock washer .....		
	54	1			9997-0850-12	Skruv .....	Screw .....		
	55	1			9747-0831-02	Mutter .....	Lock nut .....		





Utgåva Issue 2011- 11		Bildnr Picture No 2762		PARK KLIPPAGGREGAT 100 COMBI 3 EL.REGLAGE		PARK MOWER DECK 100 COMBI 3 EL.CONTROLS		Sida Page 210	
Pos. Fig.	Antal/Quantity				Art nr Part No	Benämning	Description	Sats Kit	Anmärkning Notes
	2978 -31								
X	1	1			1137-0201-01	Länksystem- vä.....	Linkage- LH .....		Inkl. pos 3 - 11 Inkl. pos 3 - 11 Inkl. pos 3A Sats 8 st/kit of 8
X	2	1			1137-0201-02	Länksystem- hö .....	Linkage- RH .....		
X	3	2			1137-0199-01	• Länkkarm .....	• Slewing bracket.....		
X	3A	1			1134-9155-01	•• Bussning .....	•• Bushing .....		
	4	2			9997-0820-16	• Skruv .....	• Screw .....		
	5	3			9997-0880-16	• Skruv .....	• Screw .....		
X	6	3			1137-0151-01	• Axel.....	• Axle .....		
	7	2			9747-0831-02	• Mutter .....	• Lock nut .....		
X	8	1			1137-0154-01	• Distans .....	• Spacer .....		
	9	1			9699-0056-02	• Planbricka .....	• Flat washer .....		
	10	1			9997-0820-16	• Skruv .....	• Screw .....		
X	11	1			1137-0200-01	• Pivotplatta.....	• Pivot plate .....		
X	15	1			1137-0155-01	Distans .....	Spacer .....		
	16	8			9959-0816-16	Skruv .....	Screw .....		
	17	1			9997-0840-12	Skruv .....	Screw .....		
	18	9			9739-0831-22	Mutter.....	Nut .....		
	20	1			1134-6197-01	Bakaxel- gul .....	Rear axle- yellow .....		
	21	1			1134-6282-01	Rulle- vä, m- fäste .....	Roller- LH, w/bracket .....	Inkl. pos 22 - 26 Inkl. pos 22 - 26	
	22	1			1134-6282-02	Rulle- hö, m.fäste .....	Roller- RH, w/bracket.....		
	23	1			9897-0813-02	• Skruv .....	• Screw .....		
	24	1			9739-0831-22	• Mutter.....	• Nut .....		
	25	1			1134-4318-01	• Hylsa.....	• Wheel axle.....		
	26	1			1134-9126-01	• Rulle .....	• Roller .....	Sats 2 st/kit of 2	
	27	4			9959-0816-16	Skruv .....	Screw .....		
	28	4			9739-0831-22	Mutter.....	Nut .....		
	29	2			1134-6198-01	Pinne .....	Stud .....		
	30	2			9699-0104-02	Bricka .....	Washer.....		
	31	2			9598-2001-02	Låsnål.....	Spring pin .....		
	32	2			9675-0012-02	Starlock .....	Locking washer .....		
	33	2			9646-0098-22	Nit.....	Rivet.....		
X	35	1			1137-0162-01	Tryckstång .....	Push rod .....		
X	36	1			1137-0160-01	Tryckstång .....	Push rod .....		
	37	4			9675-0015-02	Starlock .....	Lock washer .....		
X	40	1			1137-0168-01	Fäste .....	Bracket .....		
	43	1			1134-6417-01	Ställdon .....	Actuator .....		
	43A	1			1134-6373-01	• Kolvstångsända .....	• Rod end .....	L = 490 mm	
	43B	1			1134-6418-02	• Kabel.....	• Cable .....		
	43C	1			1134-6182-01	•• Hankontakt.....	•• Male terminal .....		
	44	2			9646-0098-22	Nit.....	Rivet.....		
	45	2			9675-0012-02	Starlock .....	Locking washer .....		



Utgåva Issue 2011-11		Bildnr Picture No 2758		PARK KLIPPAGGREGAT 100 COMBI 3 TRANSMISSION		PARK MOWER DECK 100 COMBI 3 TRANSMISSION		Sida Page 212	
Pos. Fig.	Antal/Quantity				Art nr Part No	Benämning	Description	Sats Kit	Anmärkning Notes
	2977 2978 -31								
X	1	1			1137-0156-01	Transmissionskåpa .....	Transmission casing .....		
	2	3			1134-5595-01	• Nitmutter .....	• Riveting nut .....		
	3	3			9945-0825-16	Skruv .....	Screw .....		
X	4	1			1137-0157-01	Täckkåpa .....	Cover .....		
	5	1			9838-9516-12	Skruv .....	Screw .....		
X	7	3			1137-0015-01	Remskiva .....	Belt pulley .....		
	8	4			9600-0171-01	Plattkil .....	Flat key .....		
	9	1			1134-5400-03	Distans .....	Spacer .....		
	10	3			1134-5406-01	Bricka .....	Washer .....		
	11	3			9997-1060-12	Skruv .....	Screw .....		
X	12	1			1137-0016-01	Remskiva .....	Belt pulley .....		Ø = 140 mm
X	13	1			1137-0158-01	Remstyrning .....	Belt guide .....		
	14	2			9838-9516-12	Skruv .....	Screw .....		
	15	2			9699-0087-02	Planbricka .....	Flat washer .....		
	20	1			1134-7611-01	Spännrulle kpl. ....	Tension roller assy .....		Inkl. pos 21 - 24
	21	1			9651-0035-04	• Låsring .....	• Lock ring .....		
X	22	1			9549-0061-01	• Kullager .....	• Ball bearing .....		
	23	1			9699-0056-02	• Planbricka .....	• Flat washer .....		
	24	1			9945-0816-16	• Skruv .....	• Screw .....		
	25	1			9959-0816-16	Skruv .....	Screw .....		
	26	1			9699-0109-02	Planbricka .....	Flat washer .....		
	27	1			9739-0831-22	Mutter .....	Nut .....		
	28	1			1134-7618-01	Distans .....	Spacer .....		
	29	1			1134-0327-00	Kåpfjäder .....	Spring .....		
	30	1			1134-5415-01	Fjäderfäste .....	Spring attachment .....		
	31	1			9959-0816-16	Skruv .....	Screw .....		
	32	1			9739-0831-22	Mutter .....	Nut .....		
	33	1			1134-9066-01	Drivrem .....	Drive belt .....		= 9585-0125-01
X	35	1			1134-9156-01	Drivrem (2WD) .....	Drive belt (2WD) .....		= 9585-0205-01
X	35	1			1134-9157-01	Drivrem (4WD) .....	Drive belt (4WD) .....		= 9585-0206-01
X	36	1			1137-0171-01	Stång .....	Rod .....		
	37	2			9675-0009-02	Starlock .....	Starlock .....		
	41	2			1134-5831-01	Lagerbox kpl. ....	Bearing box assy .....		
	42	1			1134-5831-02	Lagerbox kpl. ....	Bearing box assy .....		
	43	12			9945-0825-16	Skruv .....	Screw .....		
X	44	1			1134-9158-01	Knivsats .....	Blade kit .....		Sats 3 st/kit of 3
	45	3			9997-1060-12	Skruv .....	Screw .....		
	46	3			1134-6211-01	Knivbricka .....	Blade washer .....		