

Genuine Spare Parts

www.stiga.com

TITAN - Mower decks Model Year 2011

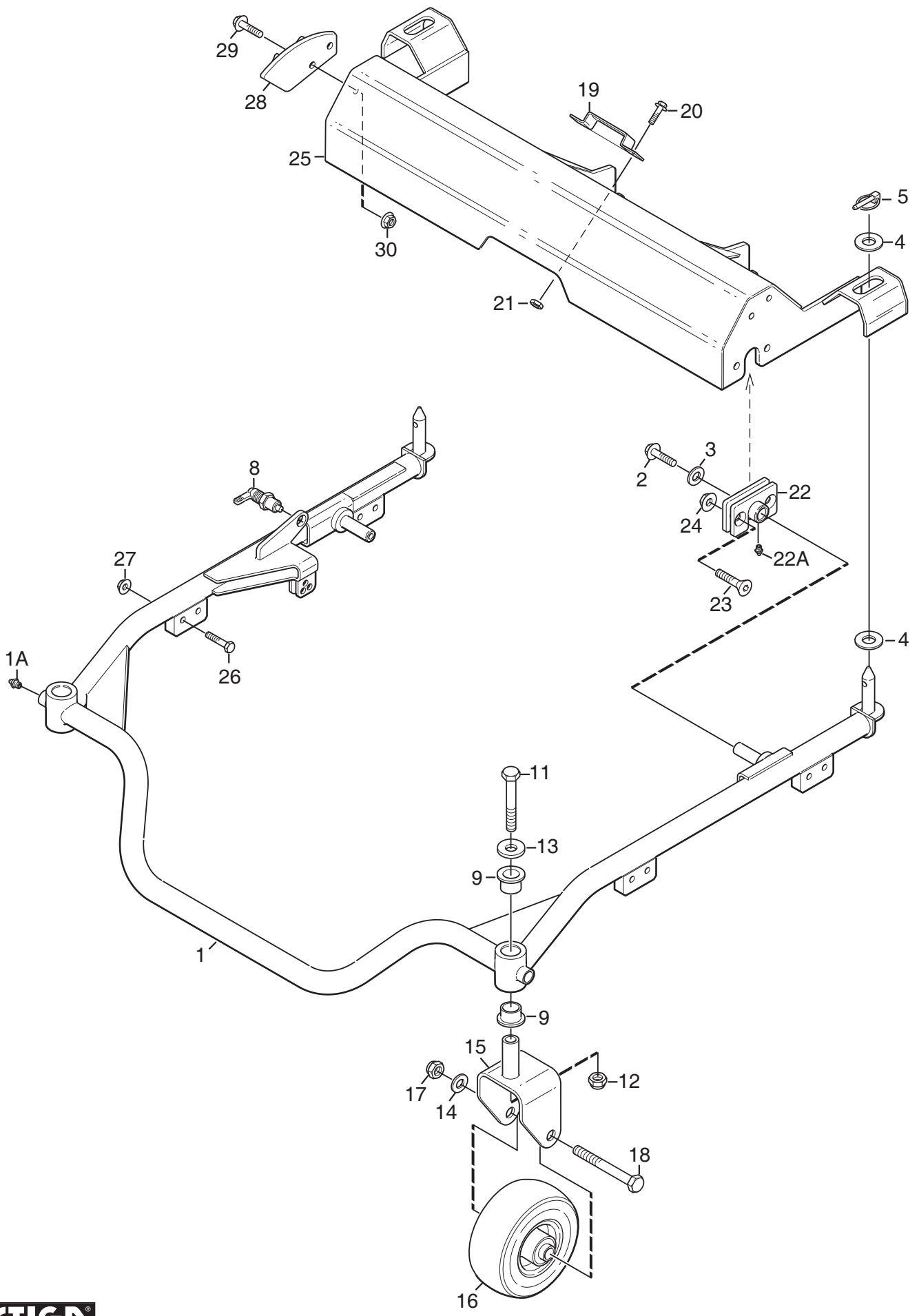
Mower deck 135H DOD

- Use GLOBAL GARDEN PRODUCT Genuine Spare Parts specified in the parts list for repair and/or replacement.
- The contents described in the parts list may change due to improvement.
- The drawings of the spare parts are only indicative and might not represent the part in question exactly.
- The indications "right" - "left" - "front" - "rear" refer to the position of the operator when using the machine.
- When placing orders of parts for repair and/or replacement, make sure that the illustrated parts list is the one applying to the machine's year of manufacture, as shown on the identification plate attached to the machine.

COPYRIGHT by GLOBAL GARDEN PRODUCTS

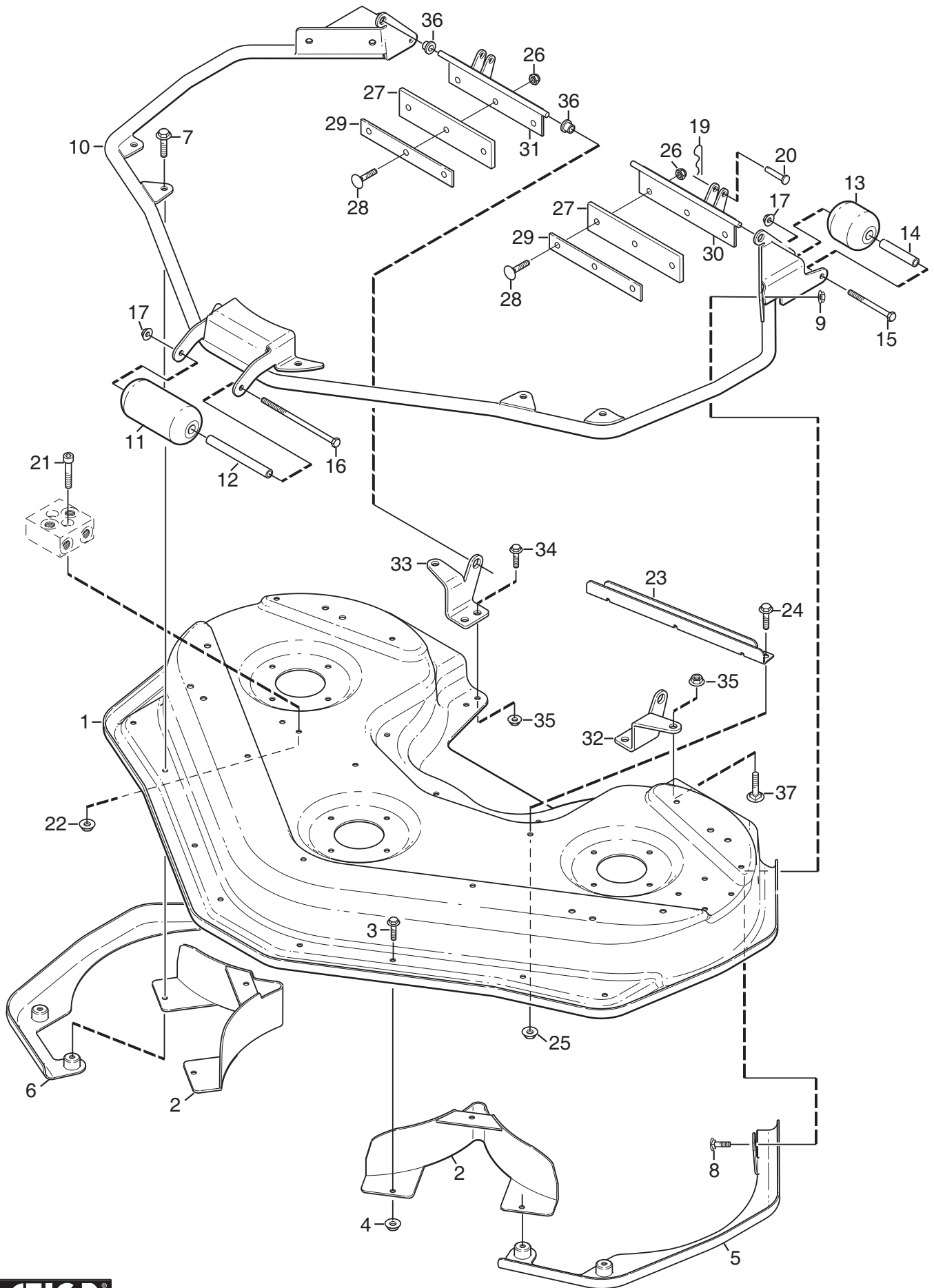
All rights reserved. No part of this material may be reproduced or transmitted, in any form or by any means, electronic or mechanical, including photocopying, recording or by any information storage and retrieval system, without permission in writing from GLOBAL GARDEN PRODUCTS.



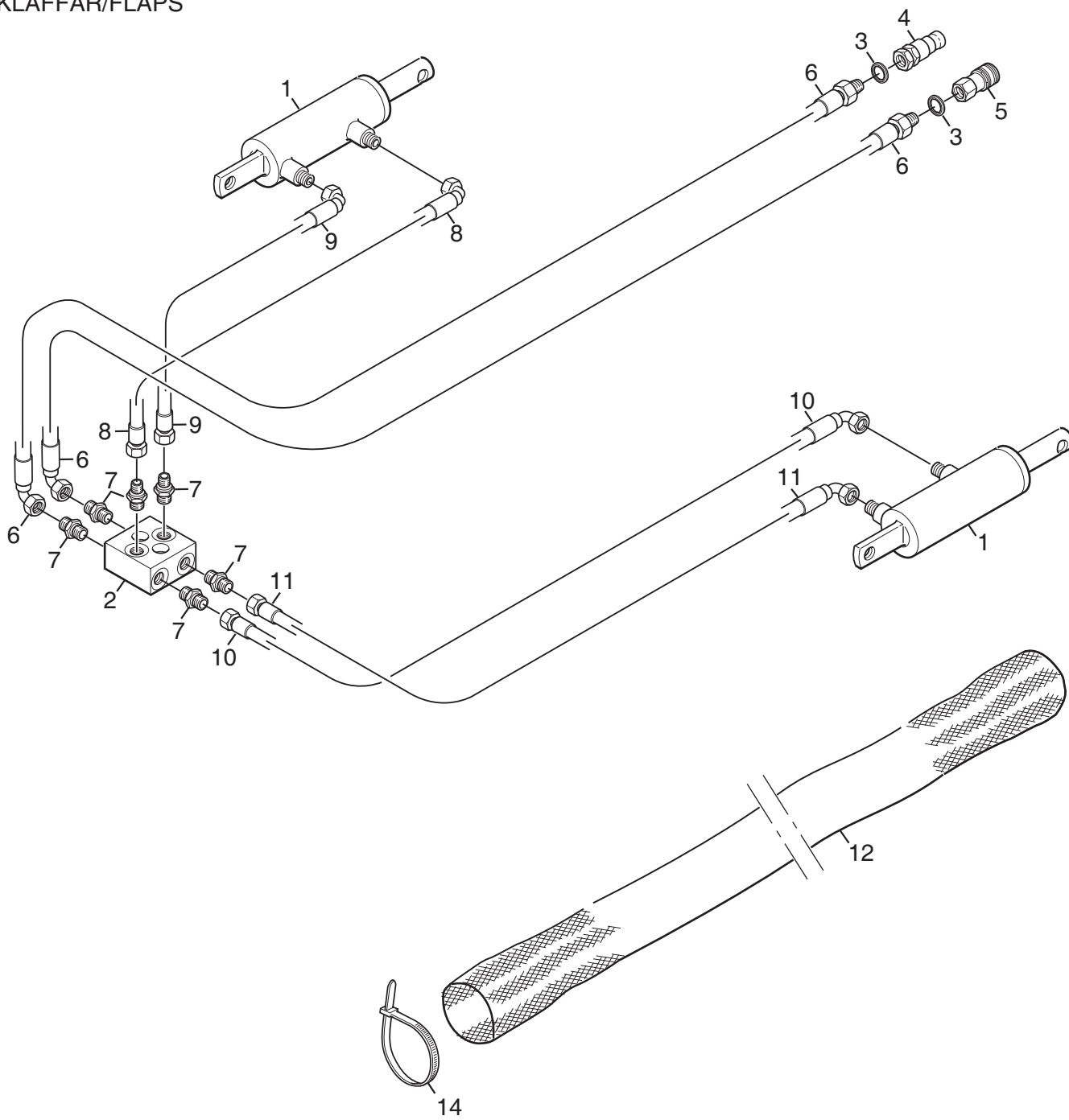




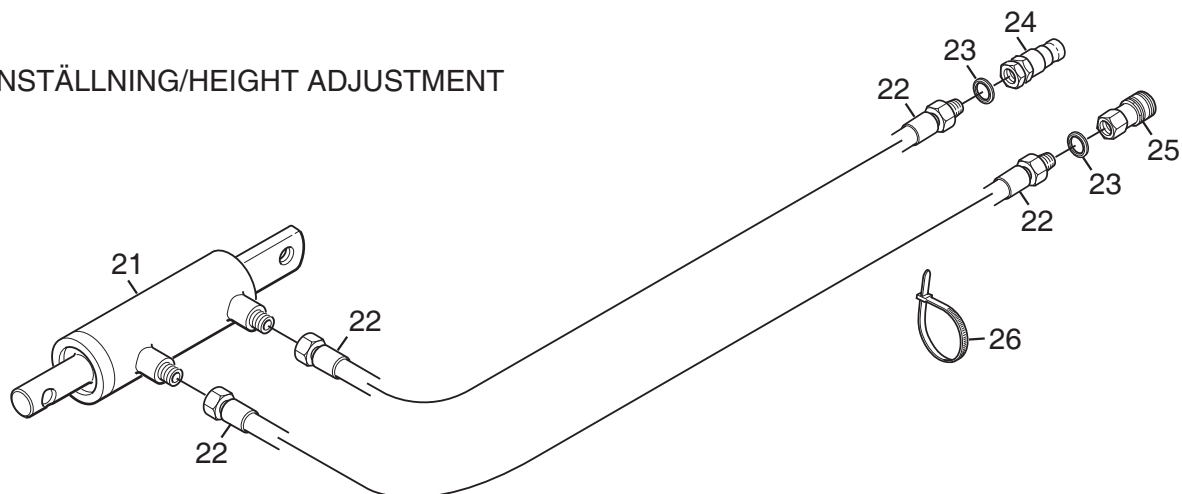
Utgåva Issue		Bildnr Picture No		TITAN KLIPPAGGREGAT 135H RAM			MOWER DECK 135H FRAME		Sida Page 74	
Pos. Fig.	Antal/Quantity				Art nr Part No	Benämning	Description	Sats Kit	Anmärkning Notes	
1	1				1135-4004-01	Ram.....	Frame.....			
1A	2				9501-0500-00	.Smörjnippel.....	.Grease joint.....			
2	2				9959-1025-16	Skruv.....	Screw.....			
3	2				1134-5406-01	Bricka.....	Washer.....			
4	10				1134-7411-01	Bricka.....	Washer.....			
5	2				1134-7345-01	Låssprint.....	Locking pin.....			
8	1				1134-7330-01	Spärrbult.....	Catch bolt.....			
9	4				1134-5686-01	Lagerbussning.....	Bearing bush.....			
11	2				9997-1211-02	Skruv.....	Screw.....			
12	2				9747-1231-02	Låsmutter.....	Lock nut.....			
13	2				1134-7410-01	Bricka.....	Washer.....			
14	2				9699-0104-02	Bricka.....	Washer.....			
15	2				1134-7477-01	Hjulbygel.....	Wheel fork.....			
16	2				1135-3394-01	Hjul.....	Wheel.....			
17	2				9747-1631-02	Låsmutter.....	Lock nut.....			
18	2				9997-1616-02	Skruv.....	Screw.....			
19	1				1134-7333-01	Bygel.....	Clamp.....			
20	2				9959-1025-16	Skruv.....	Screw.....			
21	2				9739-1031-22	Mutter.....	Nut.....			
22	2				1134-7002-01	Fäste.....	Support.....			
22A	1				9501-0500-00	.Smörjnippel.....	.Grease joint.....			
23	4				9924-1240-16	Skruv.....	Screw.....			
24	4				9739-1241-22	Mutter.....	Nut.....			
25	1				1135-4002-01	Lyftram.....	Lift frame.....			
26	8				9997-1045-12	Skruv.....	Screw.....			
27	8				9747-1031-02	Låsmutter.....	Lock nut.....			
28	1				1134-7435-01	Spärrplatta.....	Catch.....			
29	2				9959-1025-16	Skruv.....	Screw.....			
30	2				9739-1031-22	Mutter.....	Nut.....			
99	1				1135-3156-02	Dekalsats.....	Label kit.....		135H	



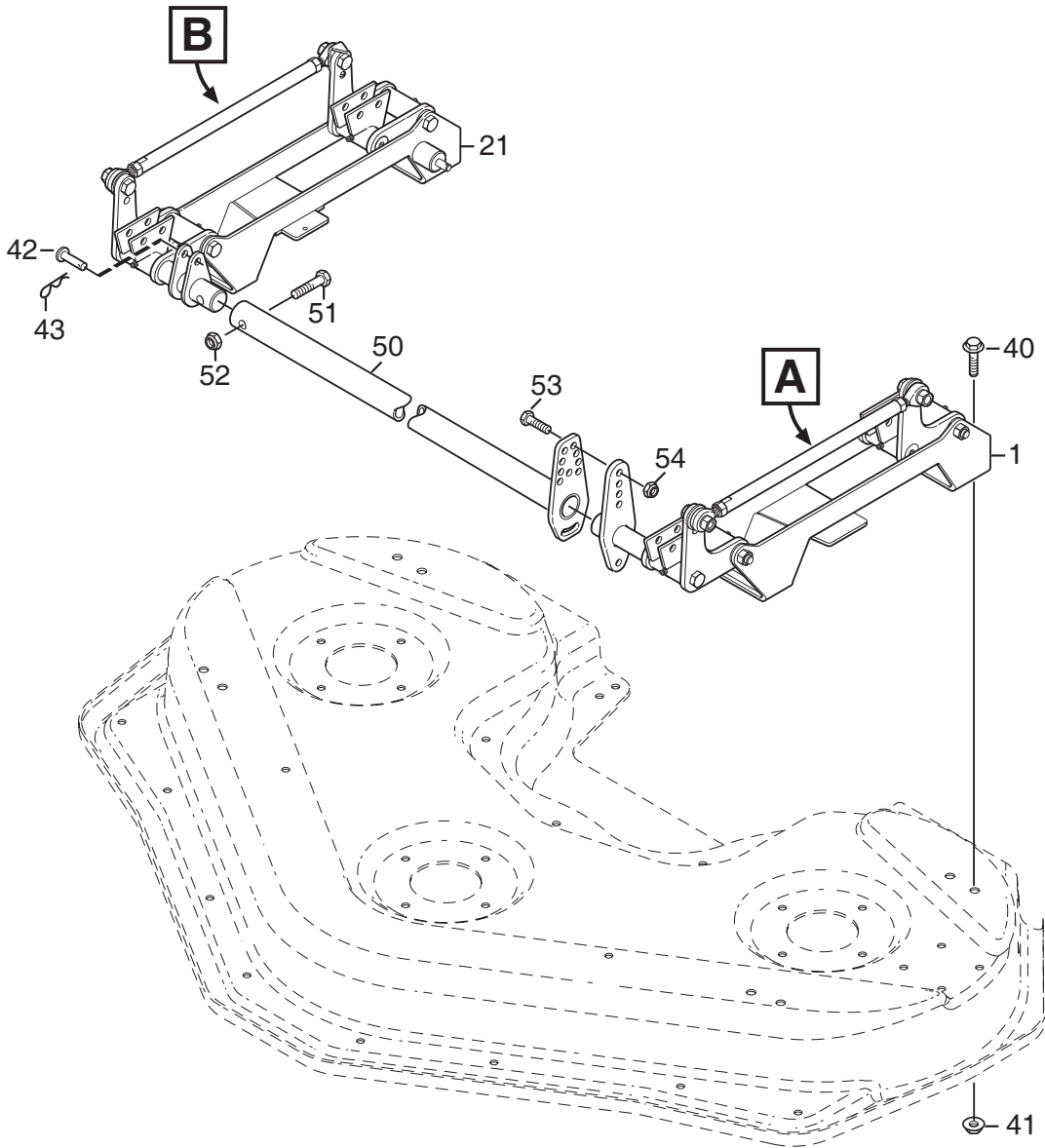
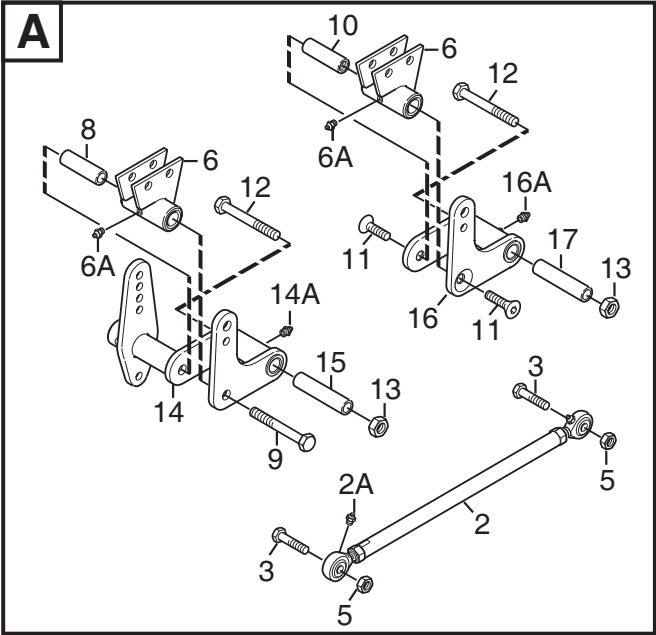
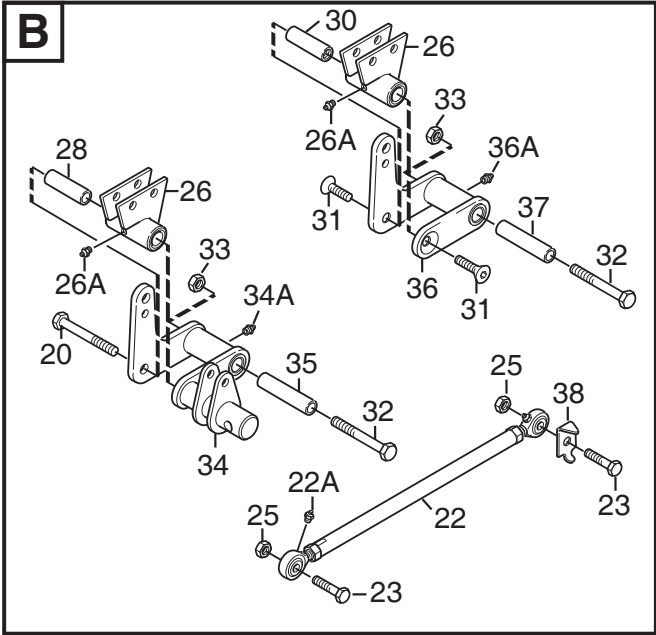
KLAFFAR/FLAPS



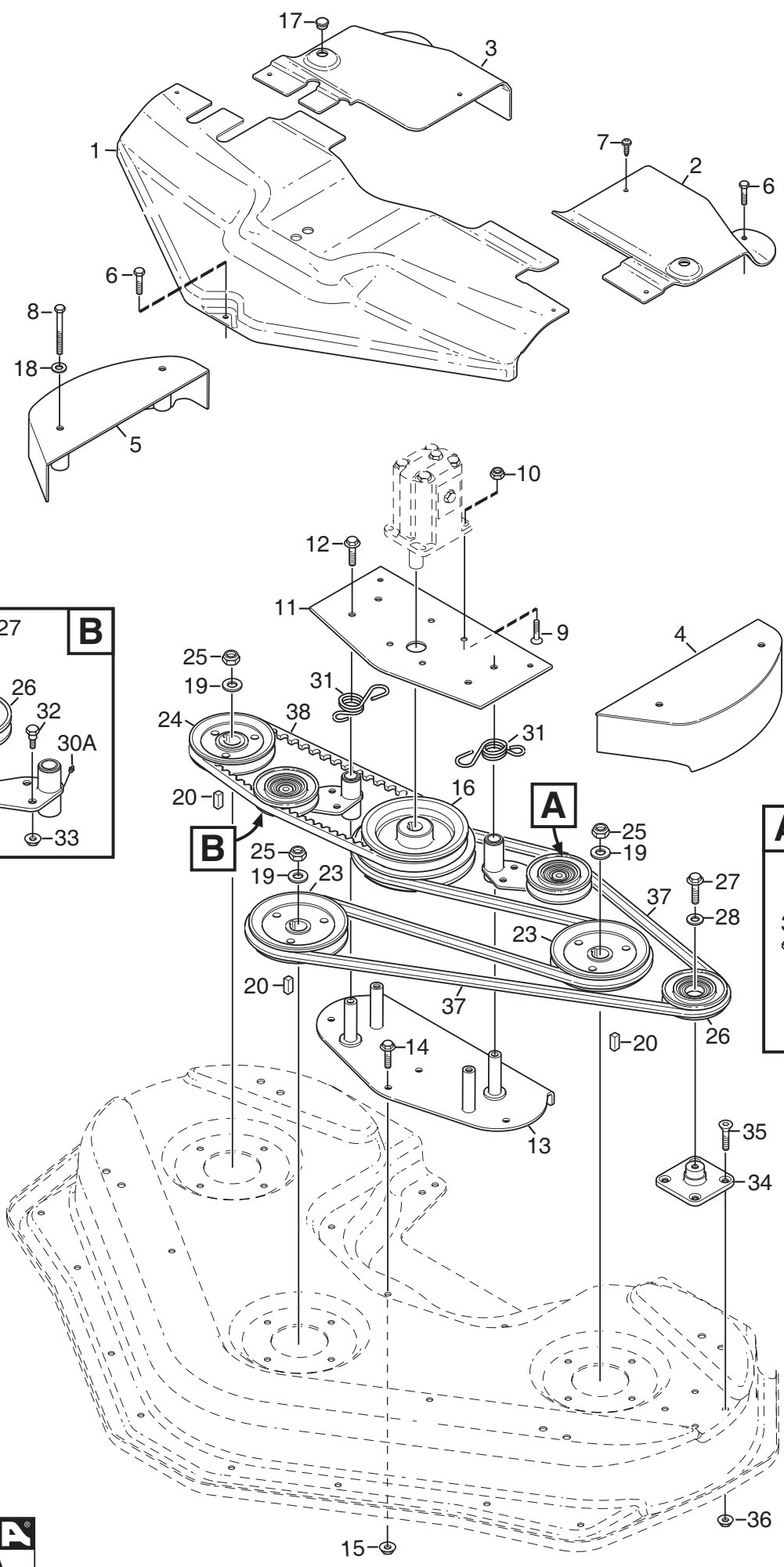
HÖJDINSTÄLLNING/HEIGHT ADJUSTMENT



Utgåva Issue		Bildnr Picture No		TITAN KLIPPAGGREGAT 135H REGLAGEHYDRAULIK		MOWER DECK 135H CONTROL HYDRAULICS		Sida Page 78	
Pos. Fig.	Antal/Quantity				Art nr Part No	Benämning	Description	Sats Kit	Anmärkning Notes
1	2				1134-7052-01	Hydraulcylinder	Hydraulic cylinder		
2	1				1134-7332-01	Fördelningsblock	Distribution block		
3	2				1134-4948-01	Tredobricka	Seal washer		
4	1				1134-6042-01	Snabbkoppling- hane	Quick coupling- male		
5	1				1134-7172-01	Snabbkoppling- hona	Quick coupling- female		
6	2				1137-0190-01	Hydraulslang 1/4"	Hydraulic tube 1/4"		
7	6				1134-7165-01	Adapter	Hydraulic connector		
8	1				1137-0185-05	Hydraulslang 1/4"	Hydraulic tube 1/4"		
9	1				1137-0185-07	Hydraulslang 1/4"	Hydraulic tube 1/4"		
10	1				1134-7289-01	Hydraulslang 1/4"	Hydraulic tube 1/4"		
11	1				1137-0185-08	Hydraulslang 1/4"	Hydraulic tube 1/4"		
12	1				1134-7627-01	Slangskydd	Hose guard		
14	1				9579-0017-01	Buntband	Cable tie		
21	1				1134-7052-01	Hydraulcylinder	Hydraulic cylinder		
22	2				1137-0188-01	Hydraulslang 1/4"	Hydraulic tube 1/4"		
23	2				1134-4948-01	Tredobricka	Seal washer		
24	1				1134-6042-01	Snabbkoppling- hane	Quick coupling- male		
25	1				1134-7172-01	Snabbkoppling- hona	Quick coupling- female		
26	1				9579-0016-01	Buntband- gult	Cable tie- yellow		



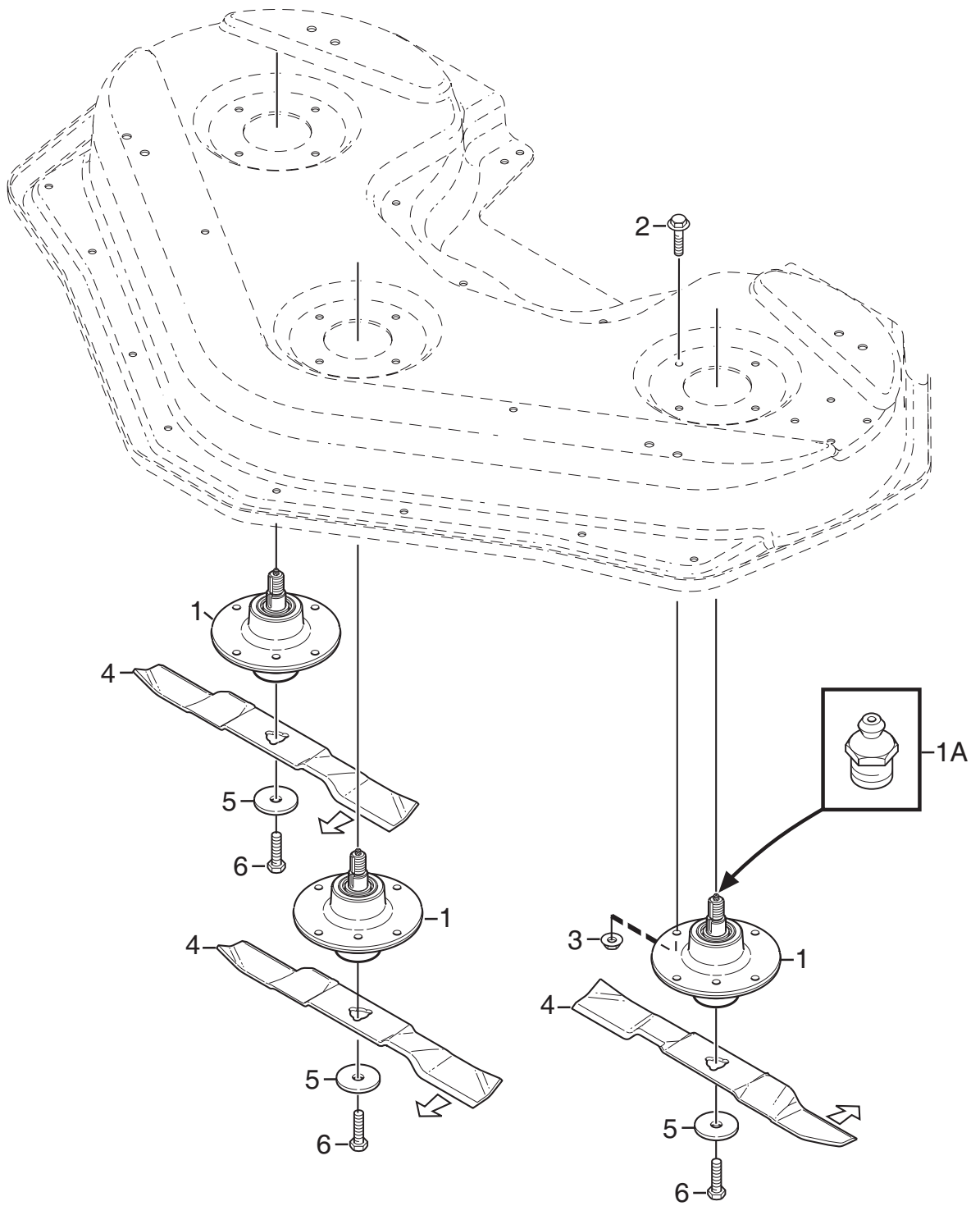
Utgåva Issue		Bildnr Picture No		TITAN KLIPPAGGREGAT 135H HÖJDINSTÄLLNING		MOWER DECK 135H HEIGHT ADJUST		Sida Page	
2011- 16		2354A						80	
Pos. Fig.	Antal/Quantity				Art nr Part No	Benämning	Description	Sats Kit	Anmärkning Notes
1	1				1134- 7800- 01	Fäste- vä kpl.....	Attachment- LH assy		Pos 2 - 17 incl.
2	1				1134- 6904- 01	.Parallellstag kplParallel rod		
2A	2				9501- 0500- 00	.SmörjnippelGrease joint		
3	2				9997- 1240- 16	.SkruvScrew		
5	2				9747- 1231- 02	.LåsmutterLock nut		
6	2				1134- 6907- 01	.Fäste kplBracket assy		
6A	1				9501- 0500- 00	.SmörjnippelGrease joint		
8	1				1134- 6900- 02	.AxelAxle		L = 63
9	1				9997- 1211- 02	.SkruvScrew		
10	1				1134- 6900- 03	.Axel (gängad)Axle (threaded)		L = 63
11	2				9924- 1235- 19	.SkruvScrew		
12	2				9997- 1211- 02	.SkruvScrew		
13	2				9747- 1231- 02	.MutterNut		
14	1				1134- 7799- 01	.PivotplattaPivot plate		
14A	1				9501- 0500- 00	.SmörjnippelGrease joint		
15	1				1134- 6900- 01	.AxelAxle		L = 84
16	1				1134- 6859- 01	.PivotplattaPivot plate		
16A	1				9501- 0500- 00	.SmörjnippelGrease joint		
17	1				1134- 6900- 01	.AxelAxle		L = 84
21	1				1134- 7651- 01	Fäste- hö kpl	Attachment- RH assy		Pos 22 - 38 incl.
22	1				1134- 6904- 01	.Parallellstag kplParallel rod		
22A	2				9501- 0500- 00	.SmörjnippelGrease joint		
23	2				9997- 1240- 16	.SkruvScrew		
25	2				9747- 1231- 02	.LåsmutterLock nut		
26	2				1134- 6907- 01	.Fäste kplBracket assy		
26A	1				9501- 0500- 00	.SmörjnippelGrease joint		
28	1				1134- 6900- 02	.AxelAxle		L = 63
29	1				9997- 1211- 02	.SkruvScrew		
30	1				1134- 6900- 03	.Axel (gängad)Axle (threaded)		L = 63
31	2				9924- 1235- 19	.SkruvScrew		
32	2				9997- 1211- 02	.SkruvScrew		
33	2				9747- 1231- 02	.MutterNut		
34	1				1134- 7650- 01	.PivotplattaPivot plate		
34A	1				9501- 0500- 00	.SmörjnippelGrease joint		
35	1				1134- 6900- 01	.AxelAxle		L = 84
36	1				1134- 6860- 01	.PivotplattaPivot plate		
36A	1				9501- 0500- 00	.SmörjnippelGrease joint		
37	1				1134- 6900- 01	.AxelAxle		L = 84
38	1				1134- 7239- 01	.PilArrow		
40	8				9997- 1230- 16	.SkruvScrew		
41	8				9739- 1241- 22	.MutterNut		
42	2				1134- 7400- 01	.SprintPin		
43	2				9598- 0002- 02	.LåsnålPin lock		
50	1				1134- 7797- 01	.FramaxelFront axle		
51	1				9997- 1255- 12	.SkruvScrew		
52	1				9747- 1231- 02	.LåsmutterLock nut		
53	2				9997- 1030- 16	.SkruvScrew		
54	2				9747- 1031- 02	.MutterNut		



Utgåva Issue		Bildnr Picture No		TITAN KLIPPAGGREGAT 135H TRANSMISSION		MOWER DECK 135H TRANSMISSION		Sida Page	
2011- 16		2357A						82	
Pos. Fig.	Antal/Quantity				Art nr Part No	Benämning	Description	Sats Kit	Anmärkning Notes
1	1				1134-7406-01	Transmissionskåpa	Transmission cover		
2	1				1134-7407-01	Transmissionskåpa- vä	Transm.cover- LH		
3	1				1134-7408-01	Transmissionskåpa- hö	Transm.cover- RH		
4	1				1134-7280-01	Transmissionskåpa- vä	Transm.cover- LH		
5	1				1134-7280-02	Transmissionskåpa- hö	Transm.cover- RH		
6	5				9997-0820-16	Skruv	Screw		
7	2				9893-0616-16	Skruv	Screw		
8	4				9997-0890-12	Skruv	Screw		
9	4				9924-0830-16	Skruv	Screw		
10	4				9747-0831-02	Mutter	Lock nut		
11	1				1134-7062-01	Motorfäste	Motor plate		
12	4				9959-1025-16	Skruv	Screw		
13	1				1134-7068-01	Hylla	Plate		
14	3				9959-1020-16	Skruv	Screw		
15	3				9739-1031-22	Mutter	Nut		
16	1				1134-6979-01	Remskiva	Belt pulley		
17	4				1134-7518-01	Plastplugg	Plastic plug		
18	4				9699-0028-02	Bricka	Washer		
19	3				1134-7411-01	Bricka	Washer		
20	3				9600-0170-00	Plattkil	Flat key		
23	2				1134-7814-01	Remskiva	Belt pulley		Ø = 164
24	1				1134-7815-01	Remskiva	Belt pulley		Ø = 149
25	3				9747-2031-02	Mutter	Nut		
26	3				1134-7124-01	Spännrulle	Tension roller		Ø = 109
27	3				9959-1025-16	Skruv	Screw		
28	3				1134-5406-01	Bricka	Washer		
29	1				1134-7302-01	Remspännare- vä	Belt tensioner- LH		
29A	1				9501-0500-00	.SmörjnippelGrease joint		
30	1				1134-7303-01	Remspännare- hö	Belt tensioner- RH		
30A	1				9501-0500-00	.SmörjnippelGrease joint		
31	2				1134-7393-01	Fjäder	Spring		
32	2				1134-0240-01	Ansatssskruv	Shoulder screw		
33	2				9739-0831-22	Mutter	Nut		
34	1				1134-7307-01	Platta	Plate		
35	4				9924-1025-16	Skruv	Screw		
36	4				9739-1031-22	Mutter	Nut		
37	1				9585-0178-01	Kilrem (dubbel)	V- belt (double)		
38	1				9585-0182-01	Kilrem	V- belt		



Utgåva Issue		Bildnr Picture No		TITAN KLIPPAGGREGAT 135H MOTORHYDRAULIK		MOWER DECKS 135H MOTOR HYDRAULIC		Sida Page 84	
Pos. Fig.	Antal/Quantity				Art nr Part No	Benämning	Description	Sats Kit	Anmärkning Notes
1	1				1134-7329-01	Hydraulmotor	Hydraulic motor		
1A	1				1139-0009-01	.KilKey		
1B	1				1139-0007-01	.BrickaWasher		
1C	1				1139-0008-01	.MutterNut		
2	2				1134-7315-01	Adapter	Hydraulic connector		
3	2				1134-7630-01	Hydraulslang 1/2"	Hydraulic tube 1/2"		
4	2				1134-7161-01	Adapter	Hydraulic connector		
5	1				1134-7182-01	Snabbkoppling- hona	Quick coupling- female		
6	1				1134-7181-01	Snabbkoppling- hane	Quick coupling- male		
7	1				1134-5806-01	Vinkeladapter	Angle coupling		
8	1				1137-0188-02	Hydraulslang 1/4"	Hydraulic tube 1/4"		
9	1				1134-4948-01	Tredobricka	Seal washer		
10	1				1134-7172-01	Snabbkoppling- hona	Quick coupling- female		





Utgåva Issue		Bildnr Picture No		TITAN KLIPPAGGREGAT 135H KNIVAR		MOWER DECK 135H BLADES		Sida Page 86	
Pos. Fig.	Antal/Quantity				Art nr Part No	Benämning	Description	Sats Kit	Anmärkning Notes
1	3				1134-6744-01	Lagerbox kpl.....	Bearing box assy.....		Kit 2+1/sats 2+1 st
1A	1				9501-0500-00	.Smörjnippel.....	.Grease joint.....		
2	12				9959-1025-16	Skruv.....	Screw.....		
3	12				9739-1031-22	Mutter.....	Nut.....		
4	1				1134-9131-01	Knivsats.....	Blade kit.....		
5	3				1134-6211-01	Knivbricka.....	Blade washer.....		
6	3				9997-1060-12	Skruv.....	Screw.....		