

Genuine Spare Parts

www.stiga.com

PARK PRO 4WD Model Year 2011

includes:

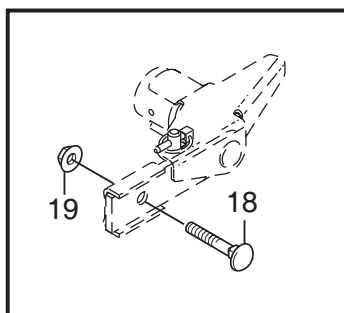
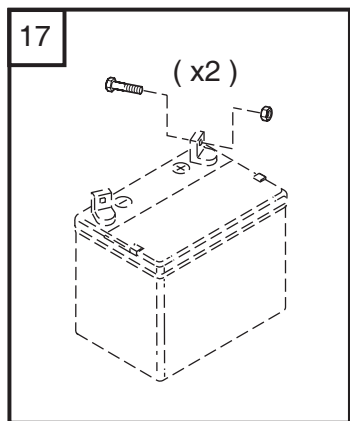
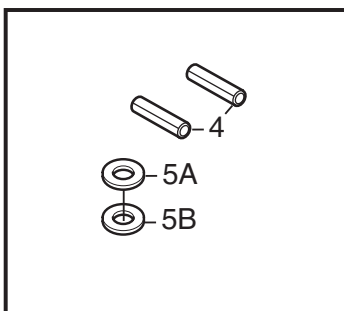
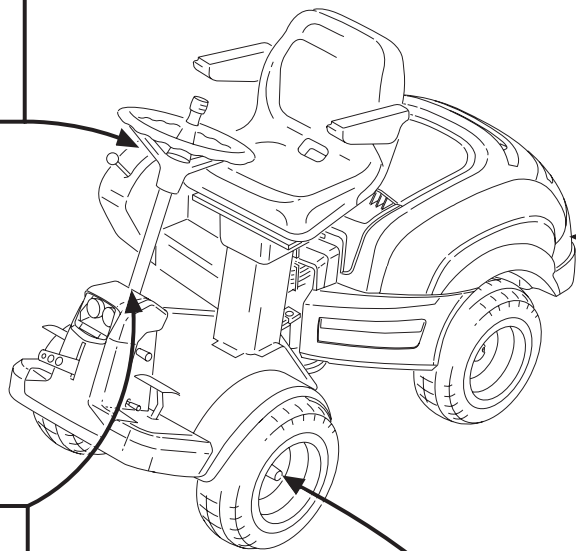
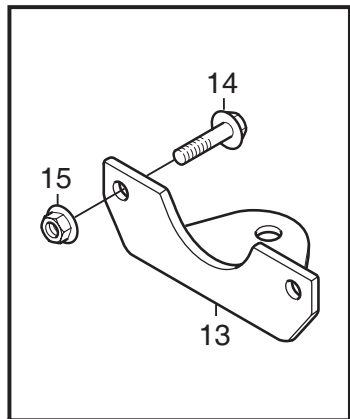
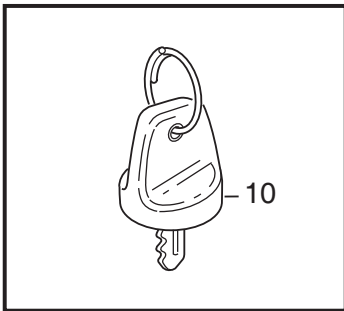
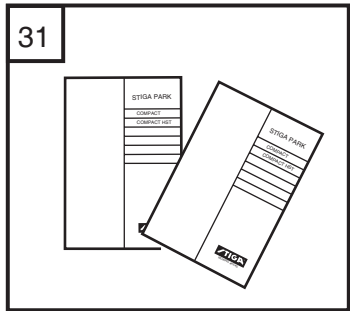
- 13-6271-17 Park Pro 16
- 13-6273-16 Park Pro 20
- 13-6273-36 Park Pro 20 (FR)
- 13-6272-26 Park Pro Svan
- 13-6272-36 Park Pro Svan (FR)
- 13-6276-11 Park Pro 25
- 13-6276-31 Park Pro 25 (FR)

- Use GLOBAL GARDEN PRODUCT Genuine Spare Parts specified in the parts list for repair and/or replacement.
- The contents described in the parts list may change due to improvement.
- The drawings of the spare parts are only indicative and might not represent the part in question exactly.
- The indications "right" - "left" - "front" - "rear" refer to the position of the operator when using the machine.
- When placing orders of parts for repair and/or replacement, make sure that the illustrated parts list is the one applying to the machine's year of manufacture, as shown on the identification plate attached to the machine.

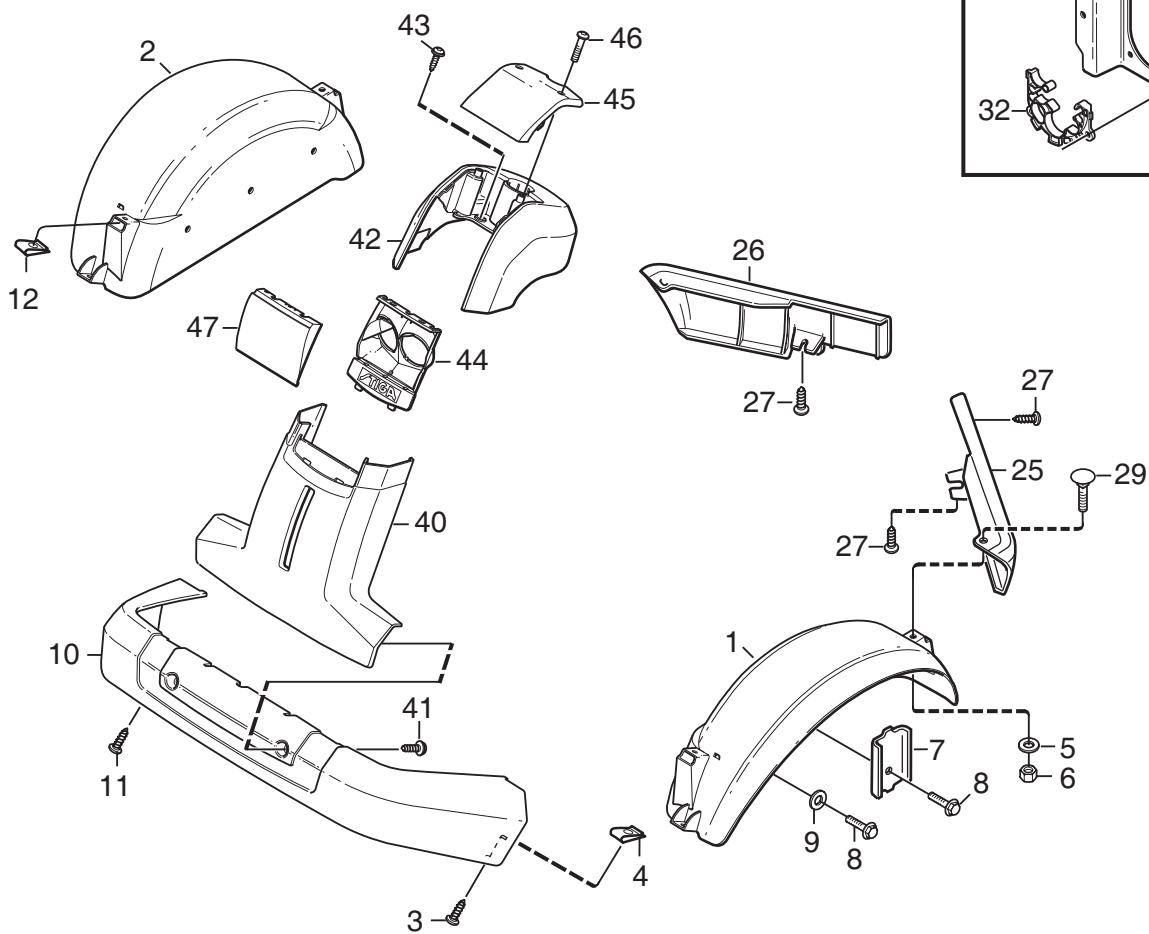
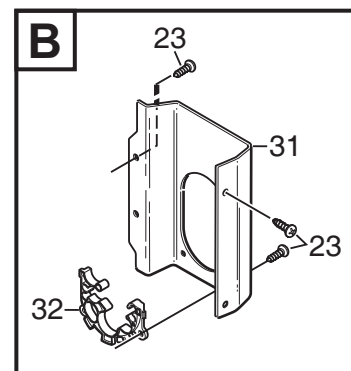
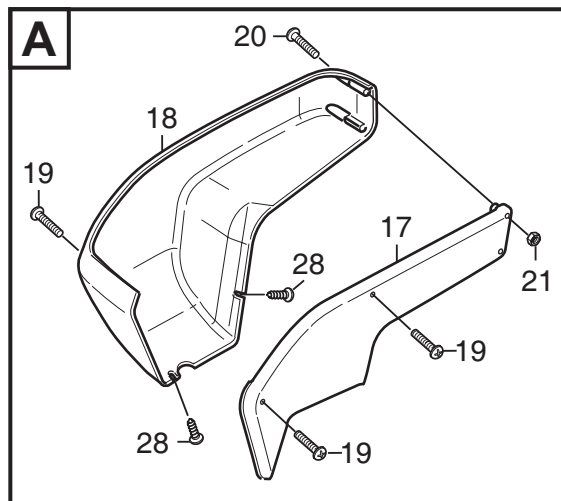
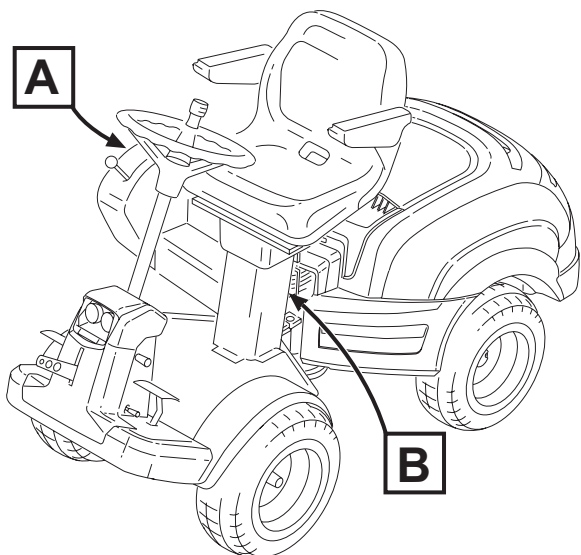
COPYRIGHT by GLOBAL GARDEN PRODUCTS

All rights reserved. No part of this material may be reproduced or transmitted, in any form or by any means, electronic or mechanical, including photocopying, recording or by any information storage and retrieval system, without permission in writing from GLOBAL GARDEN PRODUCTS.

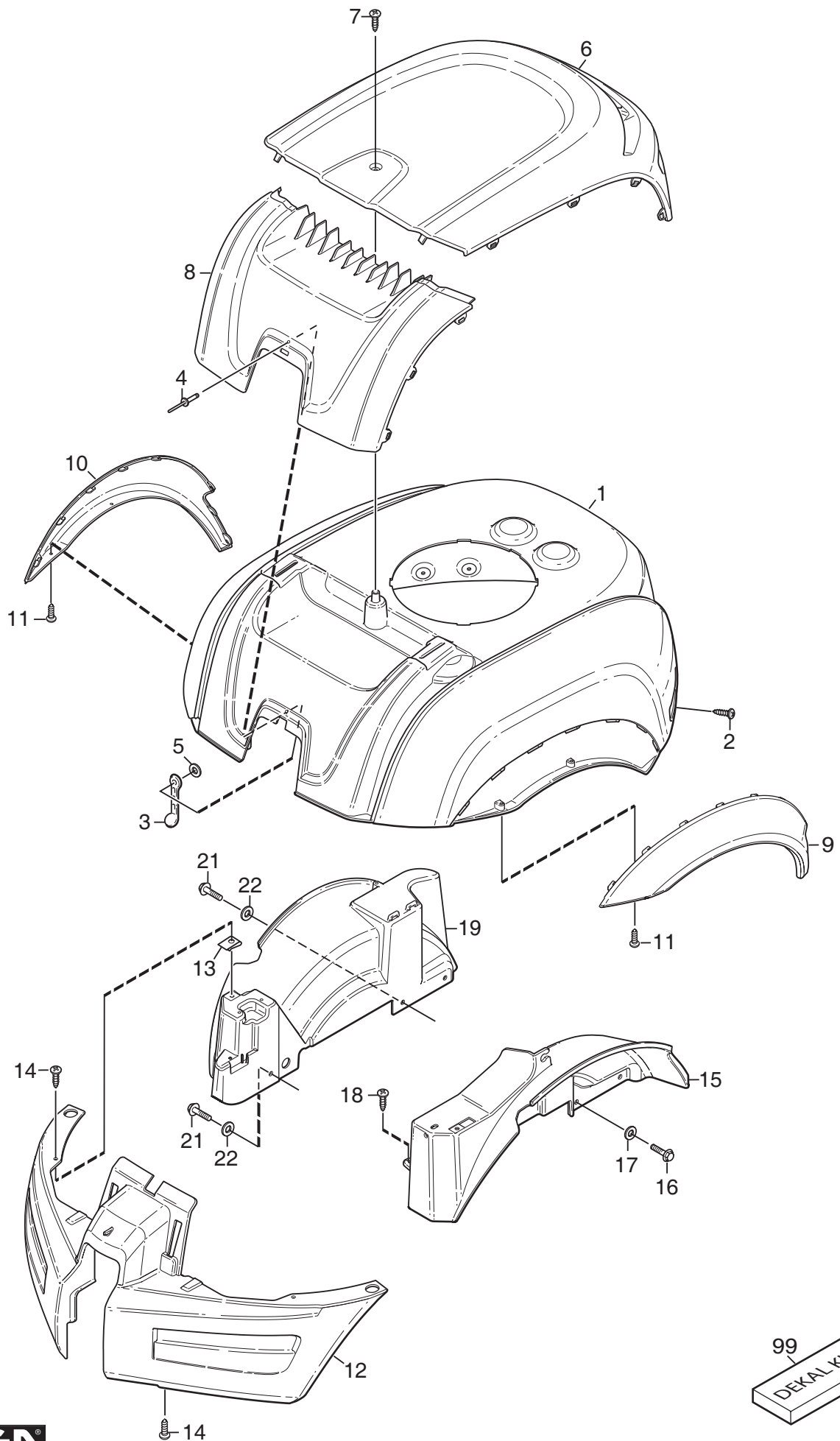




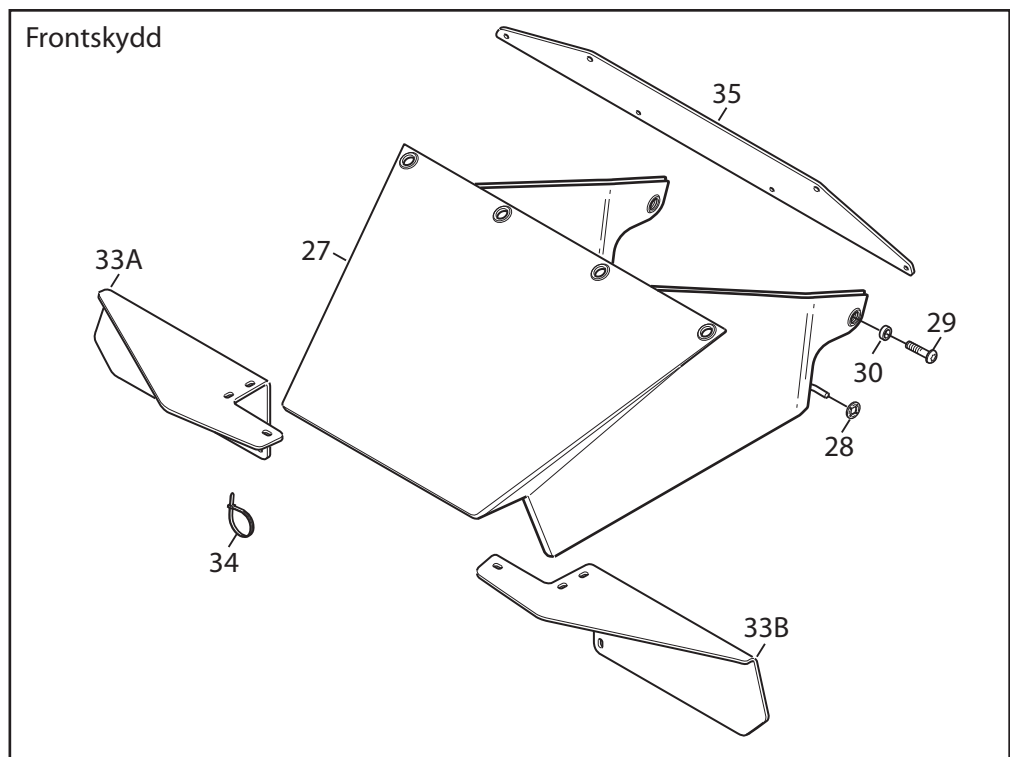
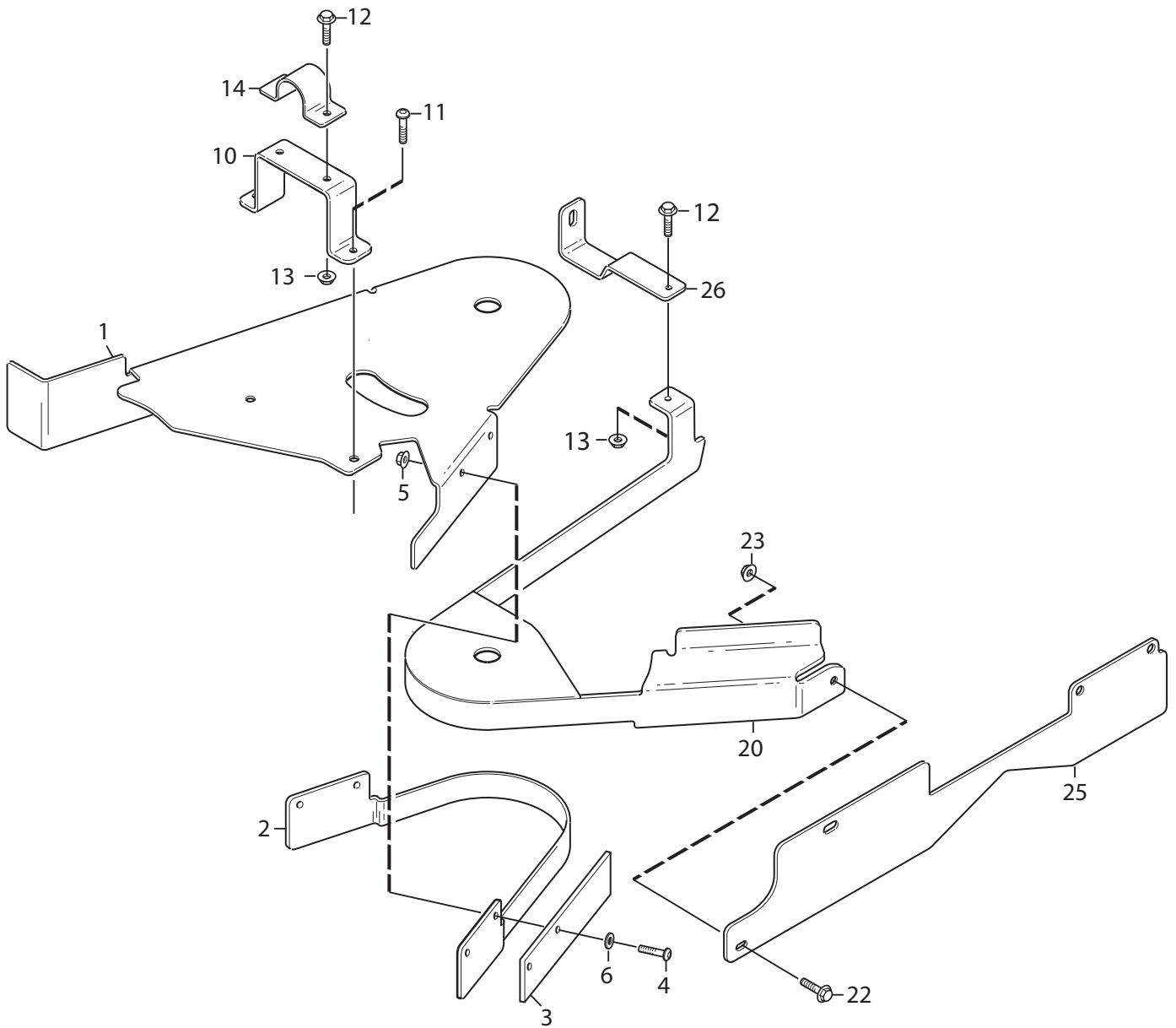
Utgåva Issue		Bildnr Picture No		PARK PRO 4WD MONTERINGSDETALJER		PARK PRO 4WD ASSEMBLY PARTS		Sida Page	
2011-11		1788C						154	
Pos. Fig.	Antal/Quantity			Art nr Part No	Benämning	Description	Sats Kit	Anmärkning Notes	
	6271	6272	6273						
	6276	FR							
	4	2	2	9595-0262-00	Spännstift	Locating pin			
	5A	1	1	9699-0103-02	Shims	Flat washer		0.5 mm	
	5B	1	1	9699-0114-02	Shims	Flat washer		1.0 mm	
	10	2	2	1134-4734-01	Tändningsnyckel	Ignition key			
	13	1	1	1134-5512-01	Dragplåt	Towing plate			
	14	2	2	9959-0820-16	Skruv	Screw			
	15	2	2	9739-0831-22	Mutter	Nut			
	17	1	1	1134-6113-02	Batteriskruvar	Battery screws			
	18	2	2	9898-1035-16	Skruv	Screw			
	19	2	2	9739-1031-22	Mutter	Nut			
X	31	1		8211-0050-10	Bruksanvisning	Owner's manual			
X	31		1	8211-0053-10	Bruksanvisning	Owner's manual		France	
X	31	1		8211-0614-10	Moteringsanvisning	Assy instructions			
X	31	1		8211-0701-10	Säkerhetsföreskrifter	Safety regulations			
X	31	1	1	8211-0901-10	Servicebok	Service book			
X	31	1	1	8211-0960-10	Garantikort	Warranty card			



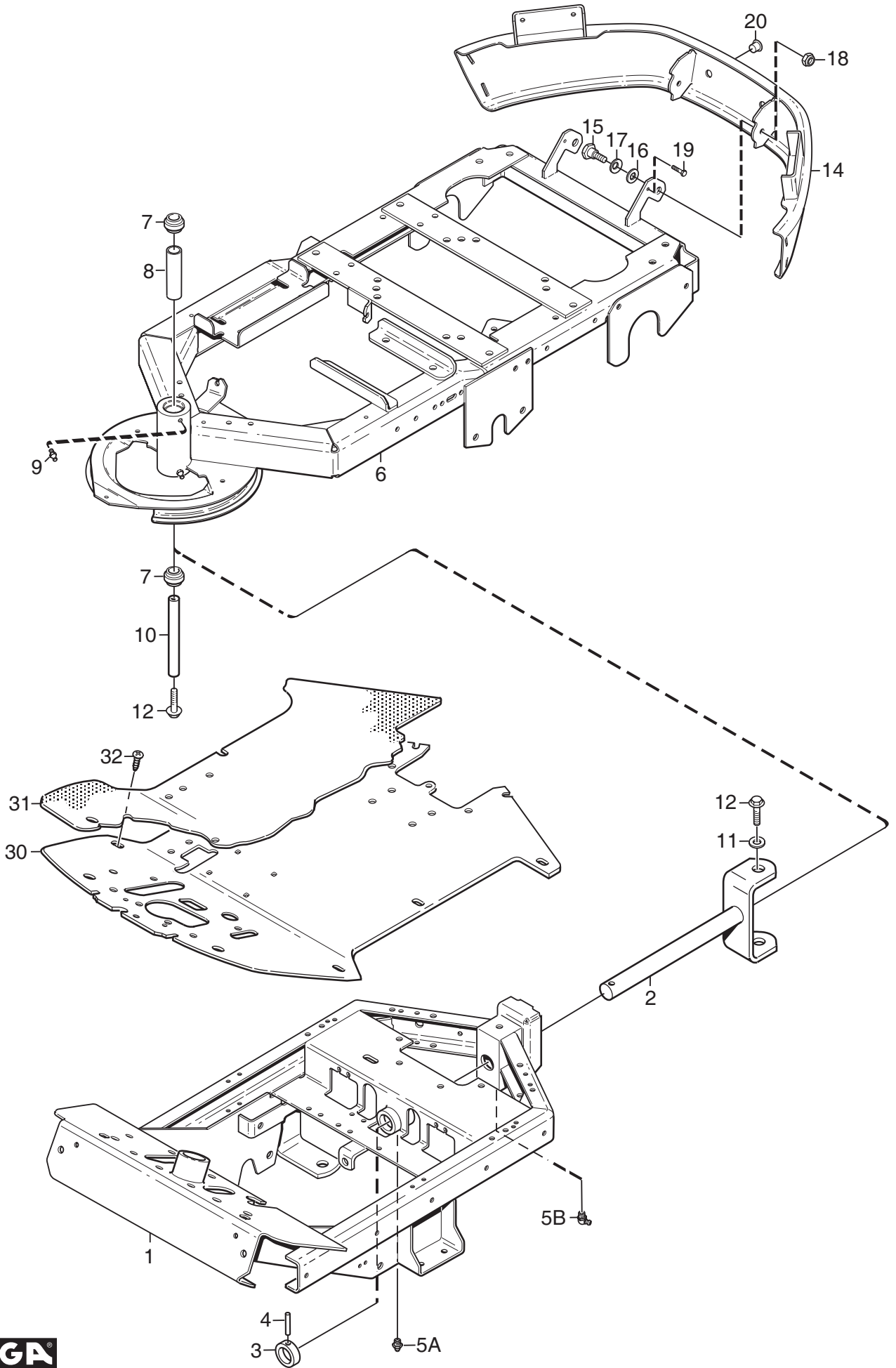
Utgåva Issue		Bildnr Picture No		PARK PRO 4WD KAROSS-FRAM		PARK PRO 4WD BODY WORK-FRONT		Sida Page	
2011-11		2749						156	
Pos. Fig.	Antal/Quantity				Art nr Part No	Benämning	Description	Sats Kit	Anmärkning Notes
	6271	6272	6273	6276					
1	1				1137-0048-01	Skärm- vä, grå	Mud guard- LH, grey		
2	1				1137-0048-02	Skärm- hö, grå	Mud guard- RH, grey		
3	2				9893-0616-16	Skruv	Screw		
4	2				1134-4176-01	Clips	Clips		
5	2				9699-0060-02	Planbricka	Flat washer		
6	2				9747-0631-02	Låsmutter	Lock nut		
7	2				1137-0088-01	Stödplåt	Support plate		
8	6				9945-0816-16	Skruv	Screw		
9	4				9699-0056-02	Planbricka	Flat washer		
10	1				1137-0049-01	Stötfångare- grå	Bumper- grey		
11	6				9893-0616-16	Skruv	Screw		
12	2				1134-4176-01	Clips	Clips		
17	1				1134-4360-01	Kåpa- inre	Cover- inner		
18	1				1134-3979-01	Kåpa- yttre	Cover- outer		
19	3				9946-0525-16	Skruv	Screw		
20	2				9950-0570-12	Skruv	Screw		
21	2				9747-0531-02	Mutter	Nut		
23	6				9893-0616-16	Skruv	Screw		
25	1				1134-3970-05	Kantlist- vä, grå	Moulding- LH, grey		
26	1				1134-3970-02	Kantlist- hö, grå	Moulding- RH, grey		
27	4				9893-0616-16	Skruv	Screw		
28	2				9840-8013-16	Skruv	Screw		
29	2				9897-0616-16	Vagnsbult	Carriage bolt		
31	1				1137-0061-01	Bakstycke	Rear plate		
32	1				1137-0065-01	Slanghållare	Tube collector		
40	1				1137-0050-01	Frontkåpa- nedre	Front panel- lower		
41	2				9838-9516-12	Skruv	Screw		
42	1				1137-0051-01	Frontkåpa- övre	Front panel- upper		
43	2				9946-0525-16	Skruv	Screw		
44	1				1137-0052-01	Lamphållare	Lamp holder		
45	1				1137-0053-01	Toppkåpa	Top panel		
46	2				9838-9516-12	Skruv	Screw		
47	1				1137-0054-01	Lampglas	Lamp glass		



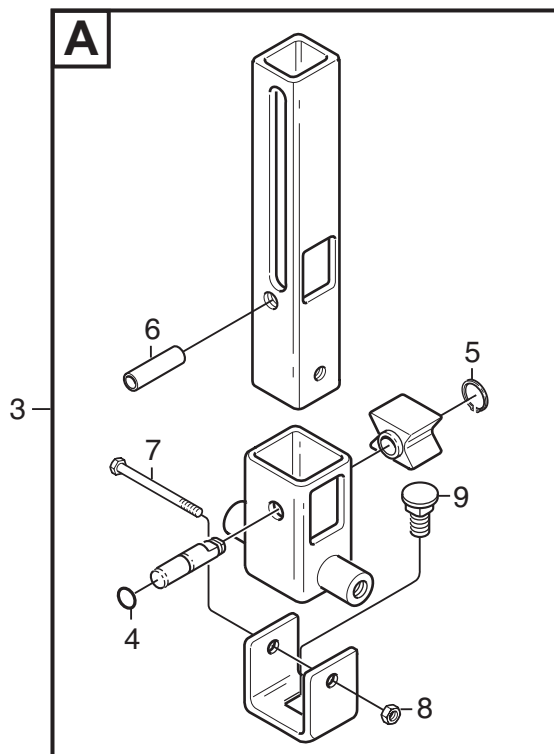
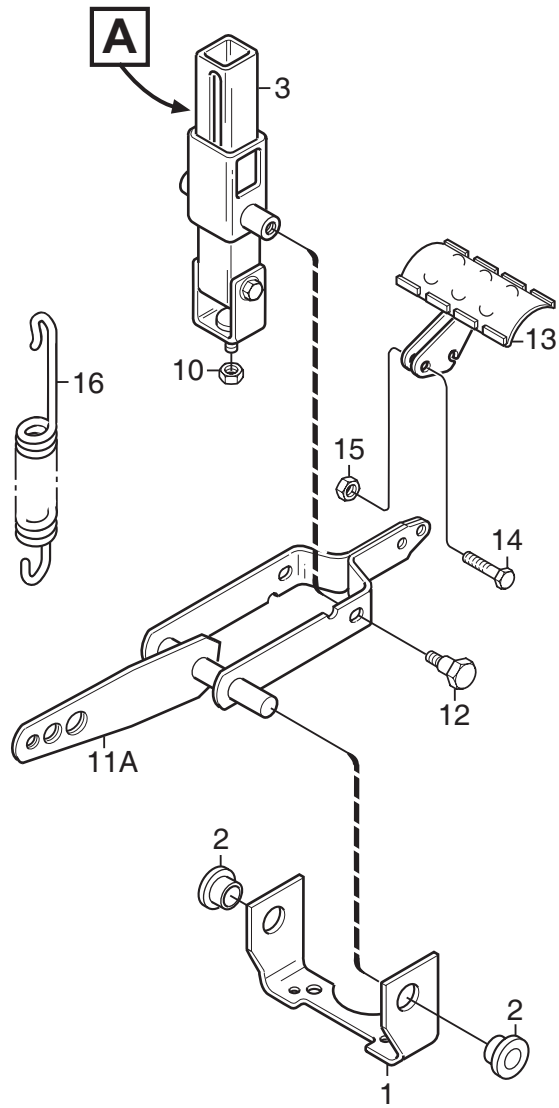
Utgåva Issue		Bildnr Picture No		PARK PRO 4WD KAROSS- BAK		PARK PRO 4WD BODY WORK- REAR		Sida Page	
2011- 11		1790						158	
Pos. Fig.	Antal/Quantity				Art nr Part No	Benämning	Description	Sats Kit	Anmärkning Notes
	6272	6271	6273	6276					
X 1	1	1	1	1	1134- 5634- 01	Motorhuv.....	Engine hood		
2	1	1	1	1	1137- 0175- 01	Motorhuv.....	Engine hood		
3	4	4	4	4	9893- 0616- 16	Skruv	Screw		
4	1	1	1	1	1134- 9028- 01	Gummistropp- sats.....	Rubber strap kit		Sats 3 st/kit if 3
5	1	1	1	1	9632- 0513- 00	Popnit	Pop rivet		
6	1	1	1	1	9699- 0120- 02	Bricka	Washer		
7	1	1	1	1	1134- 5636- 01	Motorlucka	Engine cover		
8	1	1	1	1	9838- 9516- 12	Skruv	Screw		
9	1	1	1	1	1134- 5635- 01	Frontlucka.....	Engine front cover.....		
10	1	1	1	1	1134- 5638- 01	Skärmbreddare- vä	Wheel arch liner- LH.....		
11	1	1	1	1	1134- 5638- 02	Skärmbreddare- hö	Wheel arch liner- RH		
12	4	4	4	4	9838- 9516- 12	Skruv	Screw		
13	1	1	1	1	1134- 5637- 01	Spoiler	Spoiler		
14	2	2	2	2	1134- 4176- 01	Clips	Clips		
15	4	4	4	4	9893- 0616- 16	Skruv	Screw		
16	1	1	1	1	1134- 5647- 01	Innerskärm- vä.....	Inner fender- LH.....		
17	3	3	3	3	9945- 0816- 16	Skruv	Screw		
18	3	3	3	3	9699- 0056- 02	Planbricka.....	Flat washer.....		
19	1	1	1	1	9893- 0616- 16	Skruv	Screw		
20	1	1	1	1	1134- 5647- 02	Innerskärm- hö	Inner fender- RH		
21	3	3	3	3	9945- 0816- 16	Skruv	Screw		
22	3	3	3	3	9699- 0056- 02	Planbricka.....	Flat washer.....		
99		1			1134- 4593- 11	Dekalsats	Label kit		Pro 16
99			1		1134- 4593- 12	Dekalsats	Label kit		Pro 20
99				1	1134- 4593- 13	Dekalsats	Label kit		Pro 25
99	1				1134- 4593- 14	Dekalsats	Label kit		Pro Svan



Utgåva Issue 2011- 11		Bildnr Picture No 2815		PARK PRO 4WD KAROSS (Frankrike)		PARK PRO 4WD BODY WORK (France)		Sida Page 160	
Pos. Fig.	Antal/Quantity				Art nr Part No	Benämning	Description	Sats Kit	Anmärkning Notes
	6272	6273	6276	FR					
X	1	1			1137-0352-01	Skydd	Protection		
X	2	1			1137-0354-01	Skydd	Protection		
X	3	2			1137-0355-01	Gummiduk.....	Rubber sheet.....		
	4	4			9893-0616-16	Skruv.....	Screw.....		
	5	4			9739-0631-22	Mutter.....	Nut.....		
	6	4			9699-0025-02	Planbricka.....	Washer.....		
X	10	1			1137-0356-01	Bygel	Loop.....		
	11	2			9893-0616-16	Skruv.....	Screw.....		
	12	2			9959-0620-16	Skruv.....	Screw.....		
	13	2			9739-0631-22	Mutter.....	Nut.....		
X	14	1			1137-0357-01	Överfall.....	Clamp.....		
X	20	1			1137-0358-01	Skydd	Protection		
	21	1			9893-0616-16	Skruv.....	Screw.....		
	22	1			9959-0620-16	Skruv.....	Screw.....		
	23	1			9739-0631-22	Mutter.....	Nut.....		
X	25	1			1137-0361-01	Skyddsplåt.....	Protection plate.....		
X	26	1			1137-0362-01	Fäste	Bracket.....		
X	27	1			1137-0363-01	Skydd	Protection		
	28	2			9675-0009-02	Starlock	Starlock		
	29	6			9893-0616-16	Skruv.....	Screw.....		
	30	6			1134-5114-01	Distans	Spacer.....		
X	33A	1			1137-0366-01	Skydd- hö	Protection- RH		
X	33B	1			1137-0366-02	Skydd- vä.....	Protection- LH.....		
	34	8			9579-0003-00	Buntband	Cable holder.....		
X	35	1			1137-0414-01	Fäste.....	Bracket.....		

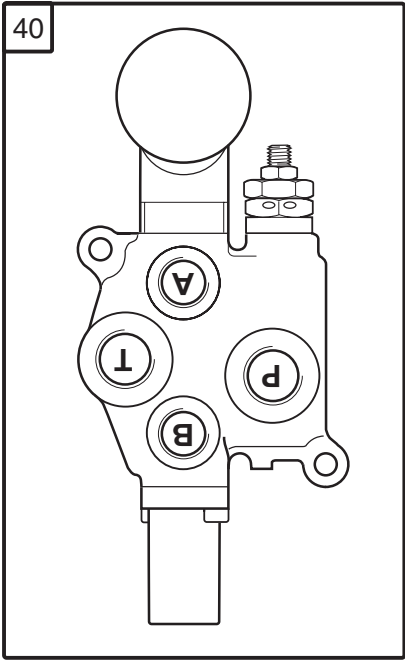


Utgåva Issue		Bildnr Picture No		PARK PRO 4WD RAM		PARK PRO 4WD FRAME		Sida Page	
2011-11		1791C						162	
Pos. Fig.	Antal/Quantity			Art nr Part No	Benämning	Description	Sats Kit	Anmärkning Notes	
	6271	6272							
	6272	6273							
	6273	6276	FR						
	6276								
X	1	1		1137-0100-01	Ram-främre	Frame-front			
	1	1		1137-0390-01	Ram-främre	Frame-front		France	
	2	1	1	1134-3963-02	• Midjegaffel	• Clevis			
	3	1	1	1134-0031-00	• Ledaxelstopp	• Pivot shaft stop			
	4	1	1	9595-0262-00	• Spännstift	• Locating pin			
	5A	1	1	9501-0500-00	• Smörjnippel	• Grease joint		Rak/straight	
	5B	1	1	9501-0504-01	• Smörjnippel	• Grease joint		90°	
	6	1	1	1134-5953-01	Ram-bakre	Frame-rear			
	7	2	2	9547-0001-00	• Ledlager	• Bearing			
	8	1	1	1134-5705-01	• Distans	• Spacer			
	9	2	2	9501-0500-00	• Smörjnippel	• Grease joint			
	10	1	1	1134-5988-01	Centrumaxel	Centre shaft			
	11	1	1	9699-0035-02	Planbricka	Flat washer			
	12	2	2	9959-1025-16	Skruv	Screw			
	14	1	1	1134-5676-01	Stötfångare	Bumper			
	15	2	2	1134-0240-00	Ansattsskruv	Shoulder screw			
	16	2	2	1134-4242-01	Distansbricka	Spacer washer			
	17	2	2	9665-0002-00	Brickfjäder	Bowed washer			
	18	2	2	9747-0831-02	Mutter	Lock nut			
	19	2	2	9943-0516-16	Skruv	Screw			
	20	2	2	1134-4100-01	Täckpropp	Plug			
	30	1	1	1134-6586-01	Durk	Floor plate			
	31	1	1	1134-6372-04	Durkmatta	Floor mat			
	32	2	2	9893-0616-16	Skruv	Screw			

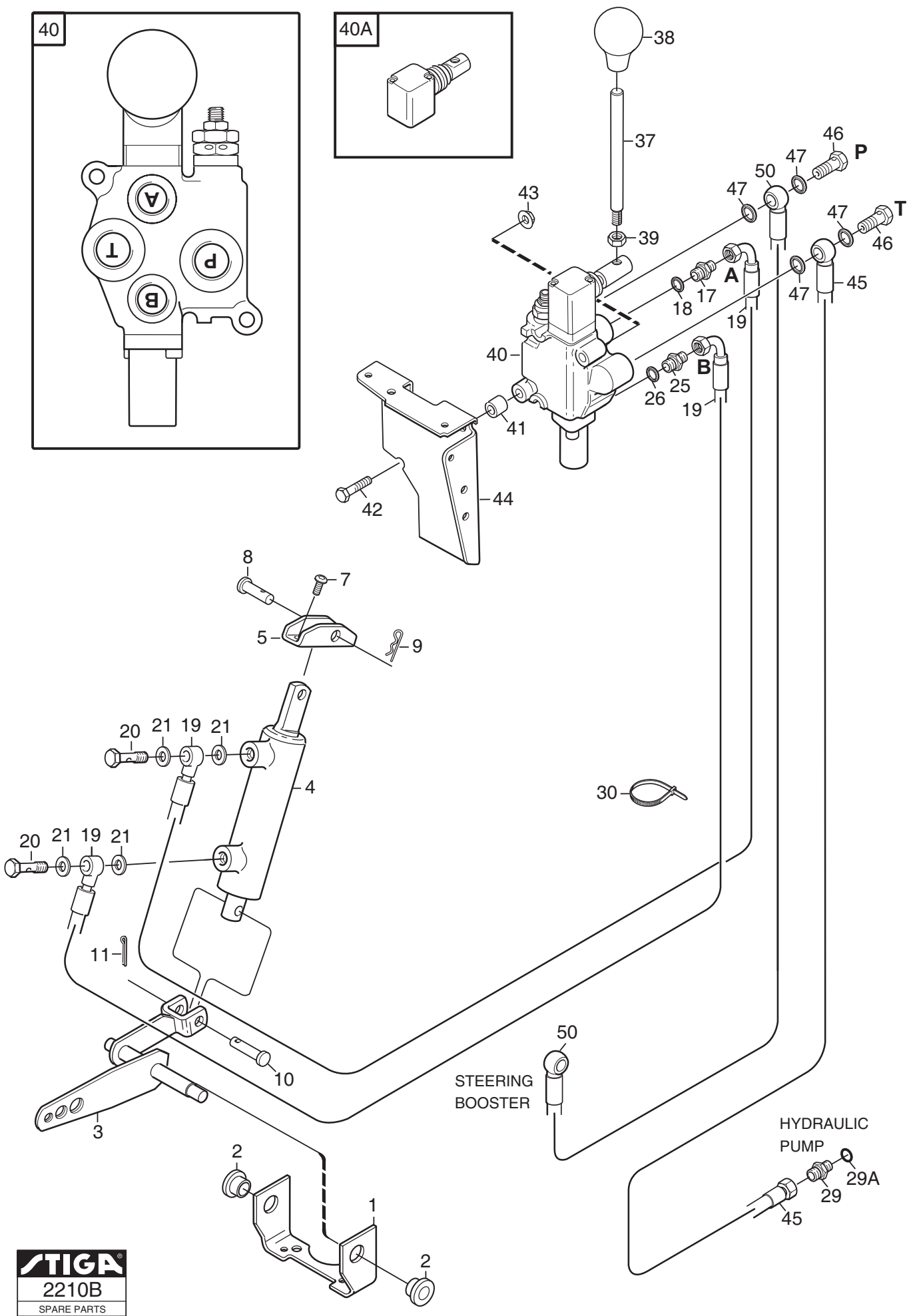
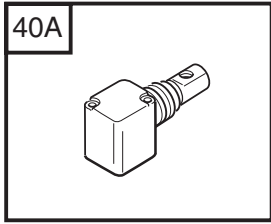


Utgåva Issue		Bildnr Picture No		PARK PRO 4WD PRO 16 PEDALLYFT		PARK PRO 4WD PRO 16 PEDAL LIFT		Sida Page	
2011- 11		1792B						164	
Pos. Fig.	Antal/Quantity				Art nr Part No	Benämning	Description	Sats Kit	Anmärkning Notes
	6271								
1	1				1134-4117-01 Fäste	Bracket			
2	2				1134-2684-01 Lager	Bearing			
3	1				1134-4945-01 Lyftspärr kpl	Lift catch assy			
4	1				9404-0027-01 • O- ring	• O- ring			
5	1				9650-0039-04 • Seegersäkring	• Lock ring			
6	1				9595-0276-01 • Spännstift	• Locating pin			
7	1				9997-0640-12 • Skruv	• Screw			
8	1				9747-0631-02 • Låsmutter	• Lock nut			
9	1				9897-0820-16 • Skruv	• Screw			
10	1				9747-0831-02 Mutter	Lock nut			
11A	1				1137-0109-01 Lyftarm	Lift arm			
12	2				1134-0240-00 Ansatsskruv	Shoulder screw			
13	1				1134-4938-01 Lyftpedal	Lift pedal			
14	2				9997-0625-16 Skruv	Screw			
15	2				9739-0631-22 Mutter	Nut			
16	1				4231-0013-00 Fjäder	Spring			

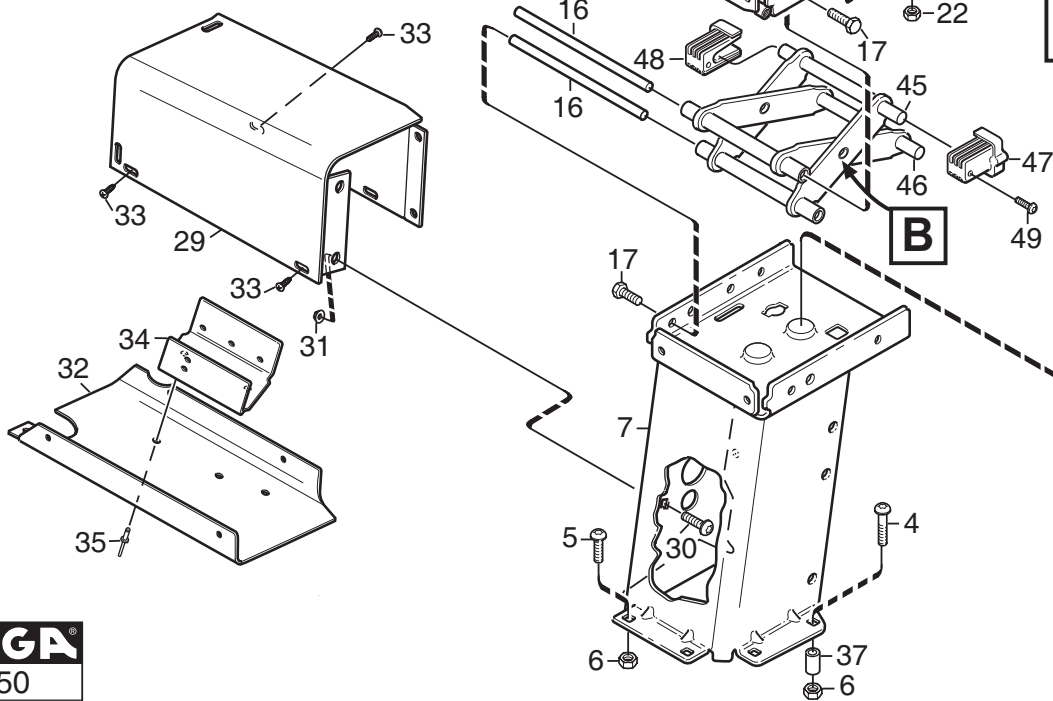
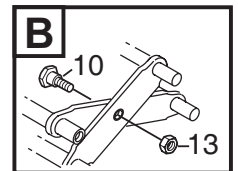
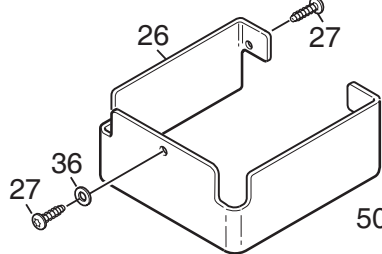
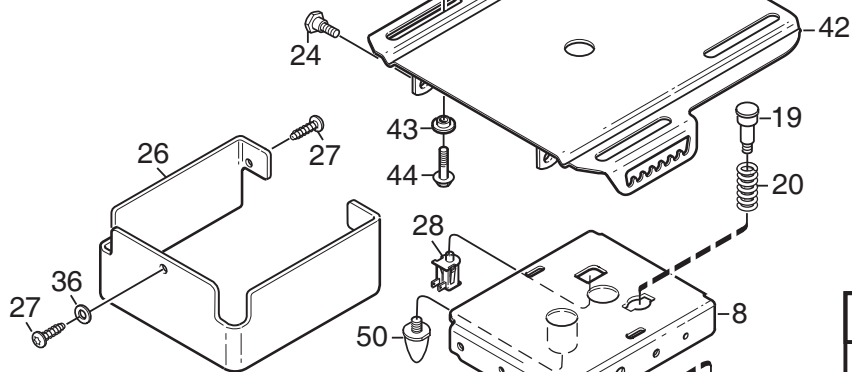
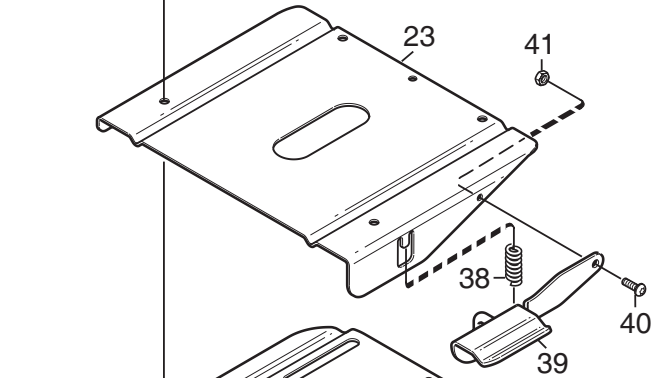
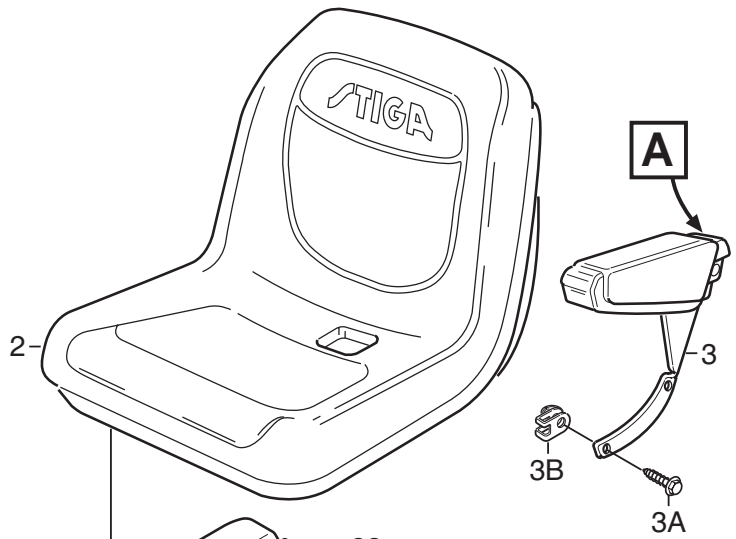
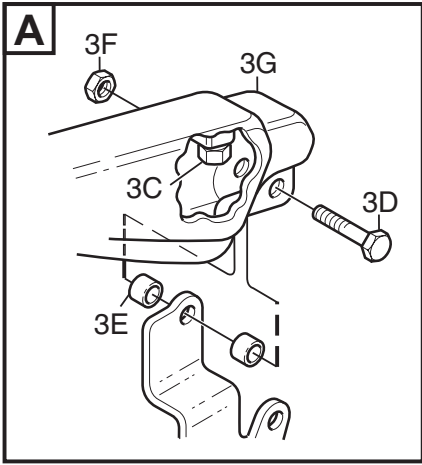
40



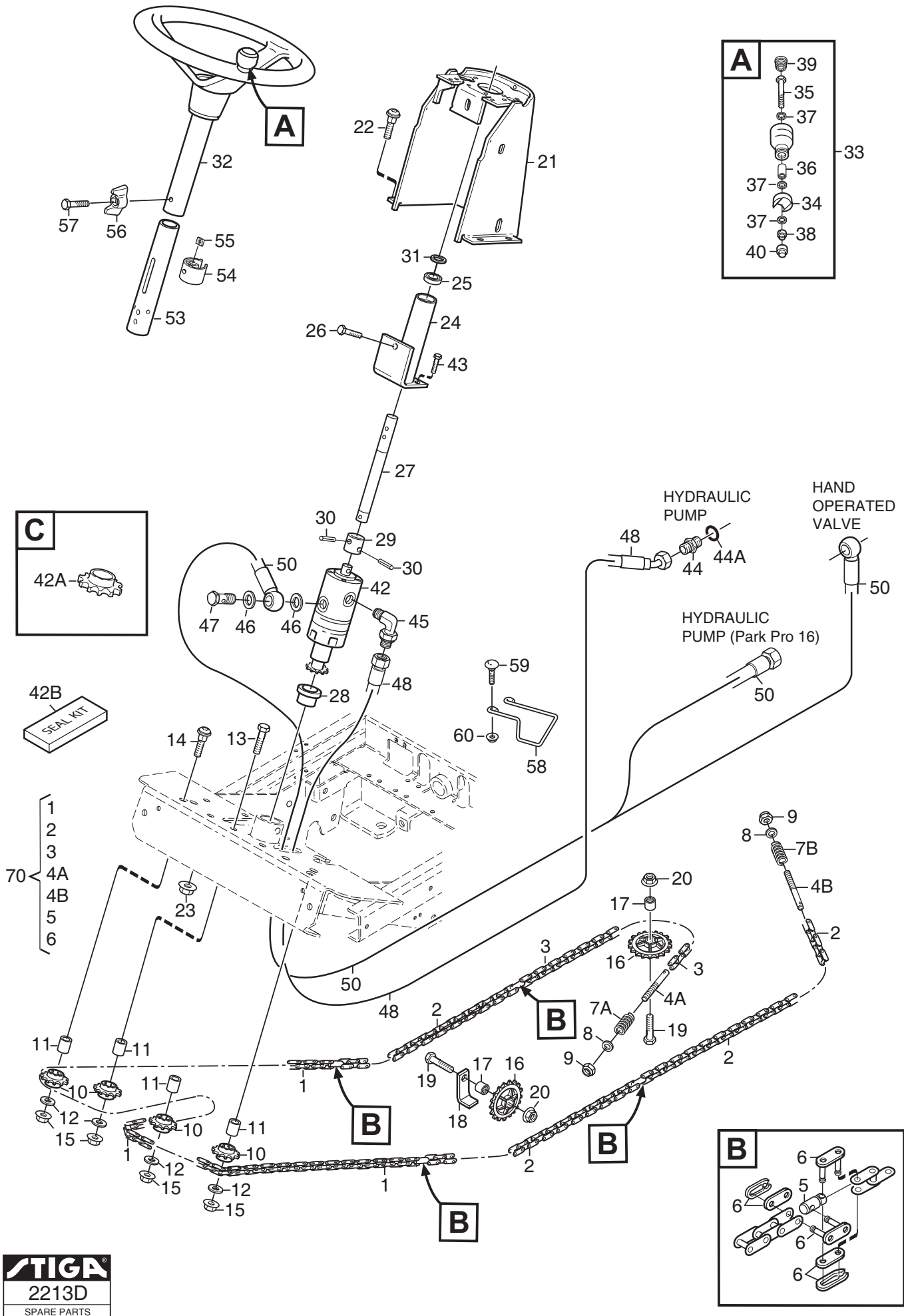
40A



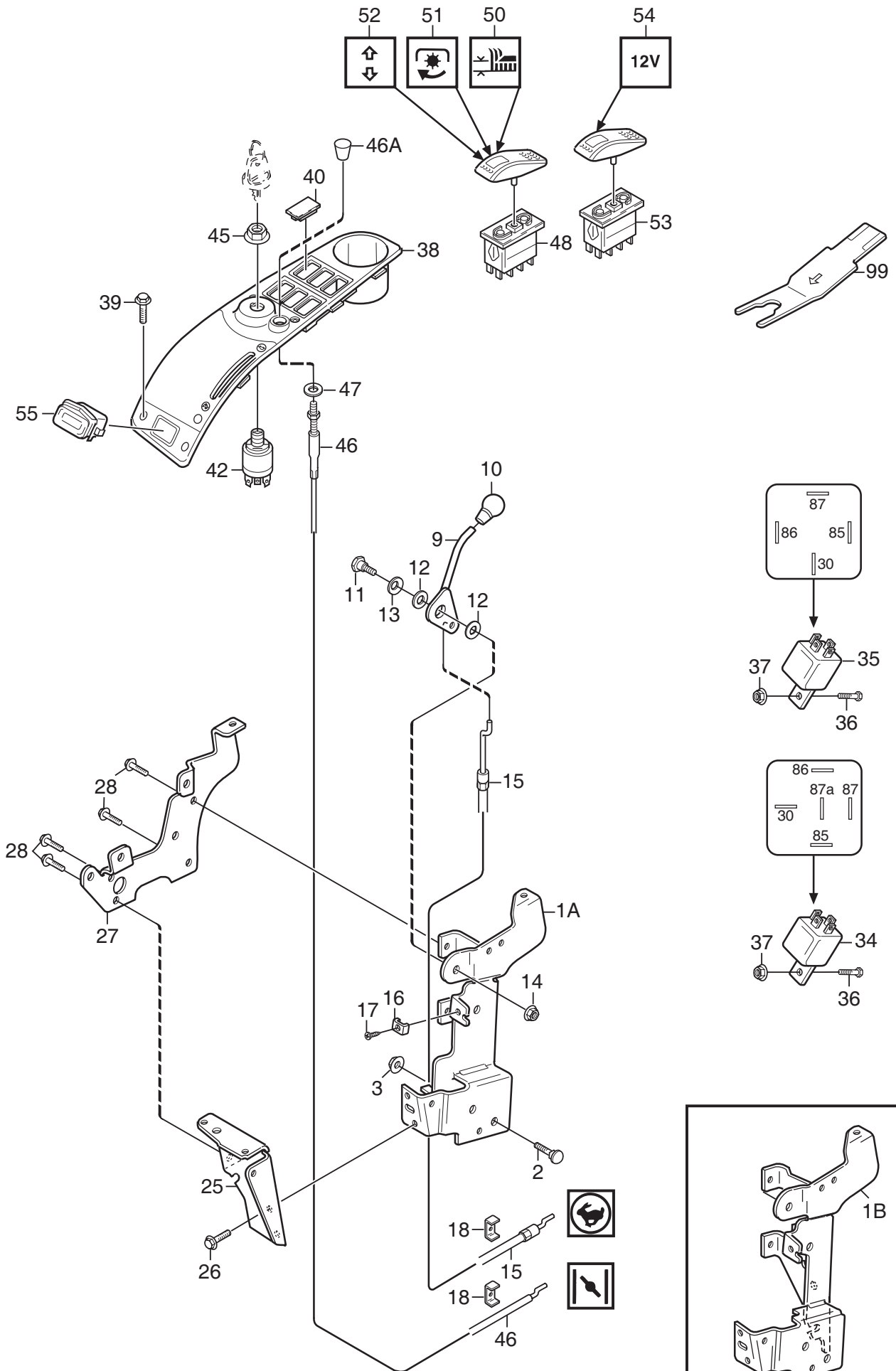
Utgåva Issue 2011-11		Bildnr Picture No 2210B		PARK PRO 4WD SVAN- PRO 20- PRO 25 HYDRAULLYFT		PARK PRO 4WD SVAN- PRO 20- PRO 25 HYDRAULIC LIFT		Sida Page 166	
Pos. Fig.	Antal/Quantity				Art nr Part No	Benämning	Description	Sats Kit	Anmärkning Notes
	6272	6273	6276						
	1				1134-4117-01	Fäste	Bracket		
	2				1134-2684-01	Lager	Bearing		
	3				1137-0039-01	Lyftarm	Lift lever		
	4				1137-0071-01	Hydraulcylinder	Hydraulic cylinder		
	5				1134-4815-01	Cylinderfäste	Cylinder bracket		
	7				9893-0616-16	Skruv	Screw		
	8				1134-4816-01	Sprint	Pin		
	9				9598-0002-02	Låsnål	Pin lock		
	10				1134-4817-01	Kolvstångssprint	Pin		
	11				9599-0054-02	Saxpinne	Cotter pin		
	17				1134-4824-01	Adapter	Adapter		1/4" x 1/8"
	18				1134-4948-01	Tredobricka	Seal washer		1/4"
X	19				1137-0193-01	Hydraulslang	Hydraulic tube		L = 1470
	20				1134-4826-01	Banjoskruv	Banjo bolt		1/8"
	21				1134-4947-01	Kopparbricka	Copper washer		
	25				1134-4824-01	Adapter	Adapter		1/4" x 1/8"
	26				1134-4948-01	Tredobricka	Seal washer		1/4"
	29				1134-4282-01	Hydraulnippel	Hydraulic nipple		9/16" x 9/16"
	29A				9404-0028-01	• O-ring	• O-ring		
	30				9579-0003-00	Buntband	Cable holder		
	37				1134-6345-01	Spak	Lever		
	38				1134-2551-01	Reglageknopp	Knob		
	39				9739-0831-22	Mutter	Nut		
	40				1134-7743-01	Handspaksventil	Hand operated valve		
	40A				1139-2100-01	• Fäste för spak	• Lever bracket		
	41				1134-6364-01	Distans	Spacer		
	42				9997-0645-12	Skruv	Screw		
	43				9739-0631-22	Mutter	Nut		
	44				1134-6328-01	Frontfäste	Panel bracket-front		
X	45				1137-0197-01	Hydraulslang	Hydraulic tube		L = 810
	46				1134-6323-01	Banjobult	Banjo bolt		
	47				1134-4948-02	Tredobricka	Tredo washer		
X	50				1137-0216-01	Hydraulslang	Hydraulic tube		L = 1320



Utgåva Issue		Bildnr Picture No		PARK PRO 4WD SITS		PARK PRO 4WD SEAT		Sida Page	
2011-11		2750						168	
Pos. Fig.	Antal/Quantity			Art nr Part No	Benämning	Description	Sats Kit	Anmärkning Notes	
	6271	6272 6273 6276							
2	1	1		1134-7830-01	Sits	Seat.....			
3		1		1134-7831-01	Armstöd kpl.....	Arm rests assy.....			
3A		6		1139-0010-01	• Skruv	• Tap screw.....			
3B		6		1139-0011-01	• Mutter.....	• Speed nut.....			
3C		2		9988-3713-16	• Skruv	• Screw			
3D		2		9997-1045-12	• Skruv	• Screw			
3E		4		1134-5094-01	• Distans	• Spacer.....			
3F		2		9747-1031-02	• Låsmutter	• Lock nut.....			
3G		2		1134-5879-01	• Armstödsdyna	• Arm rest pad			
4	2	2		9897-0880-12	Skruv.....	Screw.....		L = 80 mm	
5	4	4		9897-0820-16	Skruv.....	Screw.....		L = 20 mm	
6	6	6		9747-0831-02	Mutter.....	Lock nut.....			
7	1	1		1137-0057-01	Sitskonsol.....	Seat bracket			
8	1	1		1137-0058-01	Platta- övre	Plate- upper.....			
10	2	2		1134-0240-00	Ansatssskruv.....	Shoulder screw.....			
13	2	2		9747-0831-02	Mutter.....	Lock nut.....			
16	2	2		1137-0060-01	Axel	Shaft			
17	4	4		9958-0820-16	Skruv	Screw.....			
18	2	2		1134-4160-01	Fjäder.....	Seat spring.....			
19	1	1		1134-4153-01	Tryckpinne	Push pin.....			
20	1	1		1134-4159-01	Fjäder.....	Spring.....			
21	1	1		9699-0056-02	Planbricka.....	Flat washer.....			
22	1	1		9747-0831-02	Mutter.....	Lock nut.....			
23	1	1		1134-6090-01	Glidplatta	Slide plate			
24	2	2		1134-0240-00	Ansatssskruv.....	Shoulder screw.....			
26	1	1		1137-0038-01	Svep	Cover			
27	3	3		9838-9516-12	Skruv	Screw			
28	1	1		1134-3156-01	Brytare (svart)	Switch (black).....			
29	1	1		1134-3990-01	Armsvep	Attachment- side panel.....			
30	2	2		9897-0820-16	Skruv	Screw.....			
31	2	2		9739-0831-22	Mutter.....	Nut.....			
32	1	1		1134-4130-01	Lock- undre	Cover- lower.....			
33	4	4		9840-8013-16	Skruv	Screw.....			
34	1	1		1134-4135-01	Relåhållare.....	Relay holder.....			
35	2	2		9632-0522-00	Popnit.....	Pop rivet			
36	1	1		9699-0087-02	Planbricka.....	Flat washer.....			
37	2	2		1134-1565-08	Distans	Spacer.....			
38	1	1		1134-3262-01	Tryckfjäder.....	Compression spring.....			
39	1	1		1134-6073-01	Handtag	Handle.....			
40	1	1		9893-0616-16	Skruv	Screw.....			
41	1	1		9747-0631-02	Låsmutter	Lock nut.....			
42	1	1		1137-0055-01	Glidplatta- undre	Slide plate- lower.....			
43	4	4		1134-6078-01	Ansatsbricka	Flange washer.....			
44	4	4		9959-0820-16	Skruv	Screw.....			
45	1	1		1137-0031-01	Länk	Link.....			
46	1	1		1137-0032-01	Länk.....	Link.....			
47	2	2		1137-0033-01	Kloss	Block.....			
48	2	2		1137-0033-02	Kloss	Block.....			
49	4	4		9838-9516-12	Skruv	Screw			
50	1	1		1137-0064-01	Dämpare.....	Rubber cone			

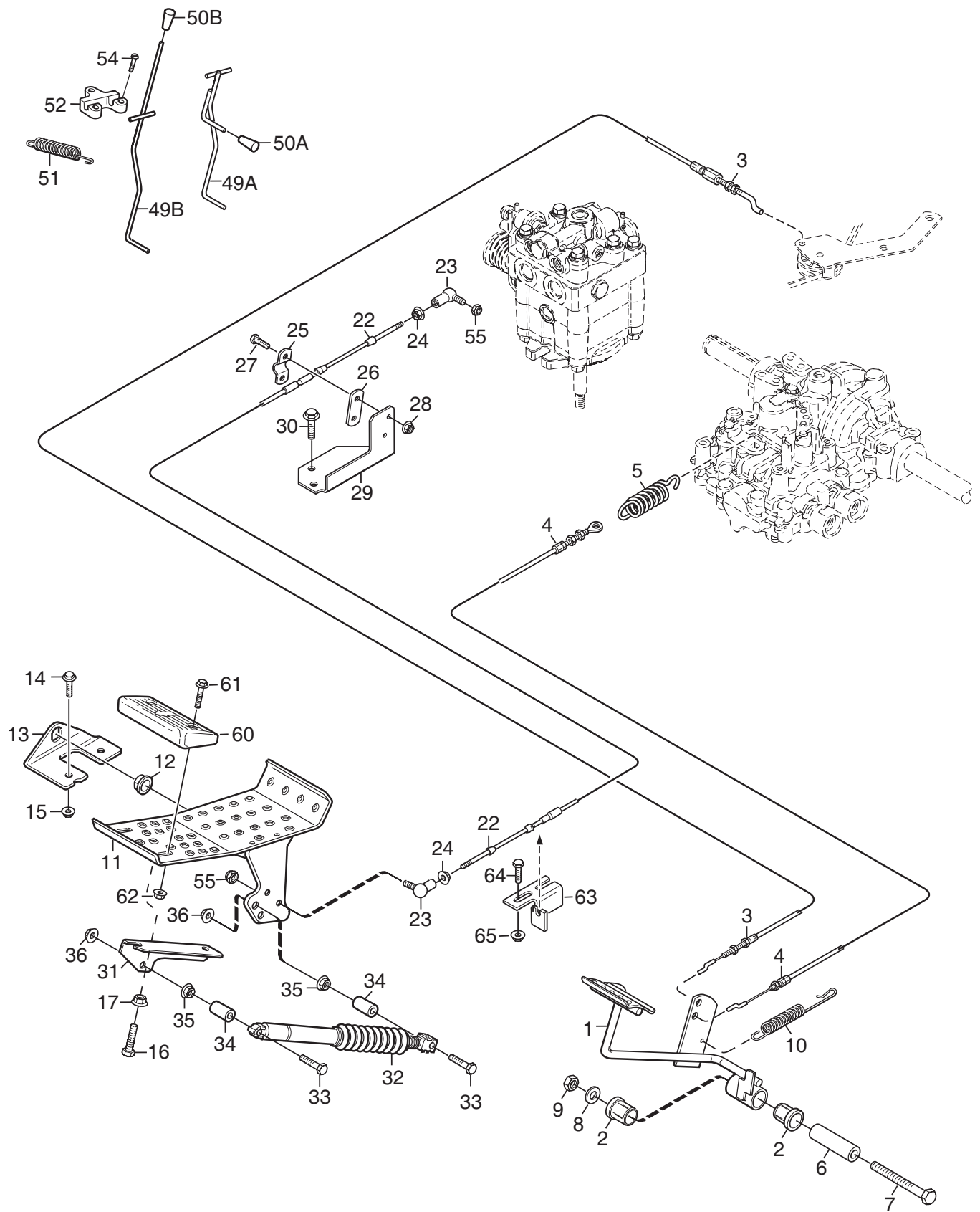


Utgåva Issue		Bildnr Picture No		PARK PRO 4WD STYRNING		PARK PRO 4WD STEERING		Sida Page	
2011- 11		2213D						170	
Pos. Fig.	Antal/Quantity			Art nr Part No	Benämning	Description	Sats Kit	Anmärkning Notes	
	6272 6273 6276	6271							
	1	1		1134-6374-06	• Kedja.....	• Chain.....		83 länk	
	2	3		1134-6374-02	• Kedja.....	• Chain.....		41 länk	
	3	1		1134-6374-04	• Kedja.....	• Chain.....		45 länk	
	4A	1		1134-3550-01	• Ändnippel.....	• End nipple.....		L = 110 mm	
	4B	1		1134-3550-02	• Ändnippel.....	• End nipple.....		L = 90 mm	
	5	4		1134-3565-01	• Skarvnippel.....	• Connection nipple.....			
	6	10	10	1134-2824-02	• Kedjelås.....	• Chain lock.....			
	7A	1		1134-3817-01	Tryckfjäder.....	Compression spring.....		L = 58 mm	
	7B	1		1134-3817-02	Tryckfjäder.....	Compression spring.....		L = 33 mm	
	8	2		9699-0090-02	Planbricka.....	Flat washer.....			
	9	2		9747-0831-02	Mutter.....	Lock nut.....			
	10	4		1134-2816-01	Kedjehjul.....	Sprocket.....			
	11	4		1134-0041-02	Linhjulshylsa.....	Idler wheel bush.....			
	12	4		9699-0035-02	Planbricka.....	Flat washer.....			
	13	2		9997-1050-16	Skruv.....	Screw.....			
	14	2		9897-1040-12	Skruv.....	Screw.....			
	15	4		9739-1031-22	Mutter.....	Nut.....			
	16	3		1134-3547-01	Kedjehjul.....	Sprocket.....			
	17	3		1134-0041-01	Linhjulshylsa.....	Bushing.....			
	18	2		1134-0046-00	Linhållare.....	Wire clamp.....			
	19	3		9997-1030-16	Skruv.....	Screw.....			
	20	3		9739-1031-22	Mutter.....	Nut.....			
	21	1		1137-0066-01	Styrkonsol.....	Steering bracket.....			
	22	4		9897-0820-16	Skruv.....	Screw.....			
	23	4		9739-0831-22	Mutter.....	Nut.....			
	24	1		1137-0044-01	Rattör- nedre.....	Steering tube- lower.....			
	25	1		9549-0017-00	Kullager.....	Ball bearing.....			
	26	1		9945-0816-16	Skruv.....	Screw.....			
	27	1		1137-0045-01	Rattstång.....	Steering rod.....			
	28	1		1134-4114-01	Bussning.....	Bushing.....			
	29	1		1134-4118-01	Koppling.....	Coupling.....			
	30	2		9595-0256-01	Spännstift.....	Pin.....			
	31	1		9695-0011-00	Bricka.....	Washer.....			
	32	1		1134-5173-02	Ratt kpl.....	Steering wheel assy.....			
	33	1		1134-3769-01	• Styrknopp kpl.....	• Steering wheel button.....			
	34	1		1134-3752-01	• Knoppfäste.....	• Knob holder.....			
	35	1		9997-0870-16	• Skruv.....	• Screw.....			
	36	1		1134-1565-06	• Distans.....	• Spacer.....			
	37	3		9699-0090-02	• Planbricka.....	• Flat washer.....			
	38	1		9747-0831-02	• Mutter.....	• Lock nut.....			
	39	1		9403-0043-70	• Plugg.....	• Plug.....			
	40	1		9403-0113-00	• Mutterhatt.....	• Nut cap.....			
	42	1		1134-6420-01	Momentförstärkare.....	Steering booster.....		Inkl. pos 42A	
X	42A	1		1139-2106-01	• Drev.....	• Pinion.....			
	42B	1		1139-2074-01	Reparationssats.....	Seal kit.....			
	43	3		9939-0612-16	Skruv.....	Screw.....			
	44	1		1134-4282-01	Hydraulnippel.....	Hydraulic nipple.....		9/16" x 9/16"	
	44A	1		9404-0028-01	• O-ring.....	• O-ring.....			
	45	1		1134-7073-01	Vinkeladapter.....	Hydraulic coupling.....			
	46	2		1134-4948-02	Tredobricka.....	Tredo washer.....			
	47	1		1134-6323-01	Banjobult.....	Banjo bolt.....			
X	48	1		1137-0196-01	Hydraulslang.....	Hydraulic tube.....		L = 1250	
X	50	1		1137-0197-03	Hydraulslang.....	Hydraulic tube.....		L = 1640	
X	50	1		1137-0216-01	Hydraulslang.....	Hydraulic tube.....		L = 1320	
	53	1		1137-0070-01	Rattör- inre kpl.....	Steering tube- inner.....			
	54	1		1134-5177-01	• Slid.....	• Slide.....			
	55	1		9710-0631-12	• Fyrkantmutter.....	• Square nut.....			
	56	1		1134-4481-02	Vingmutter.....	Wing nut.....			
	57	1		9997-0630-12	Skruv.....	Screw.....			
	58	1		1137-0112-01	Bygel.....	Guide.....			
	59	2		9897-0616-16	Vagnsbult.....	Carriage bolt.....			
	60	2		9739-0631-22	Mutter.....	Nut.....			
X	70	1		1134-6379-02	Styrkedja kpl.....	Steering chain assy.....		Inkl. pos 1 - 6	

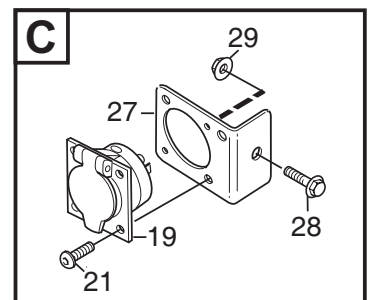
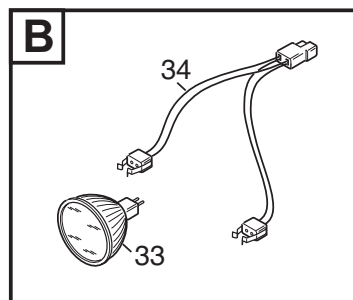
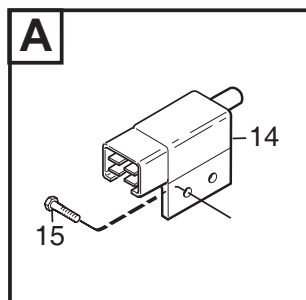
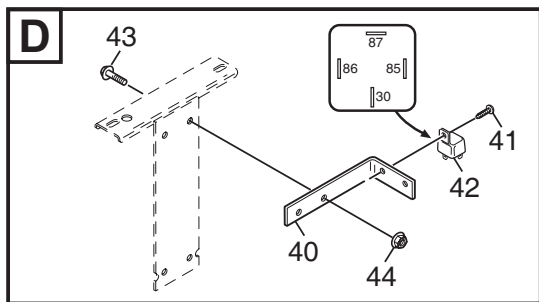
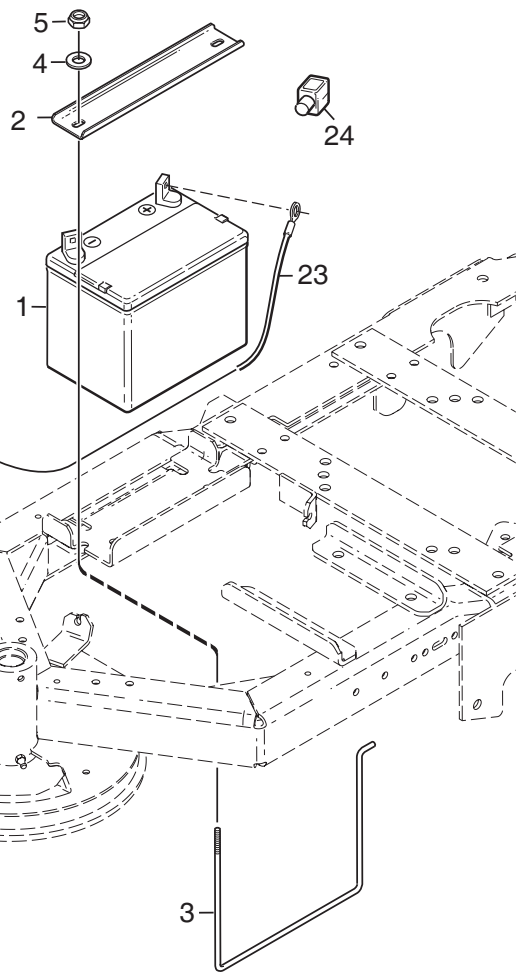
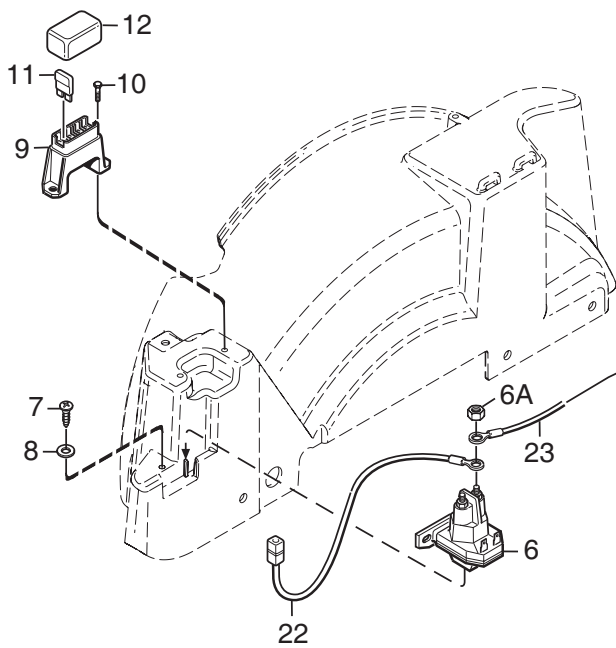
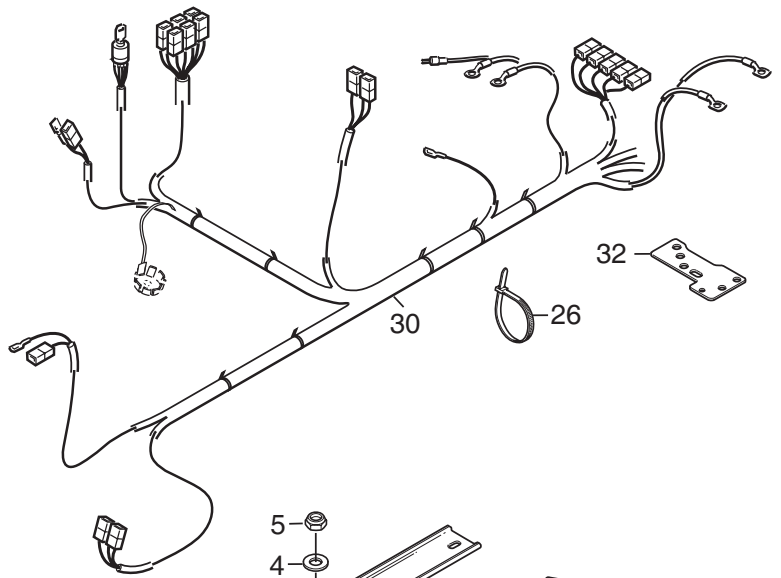
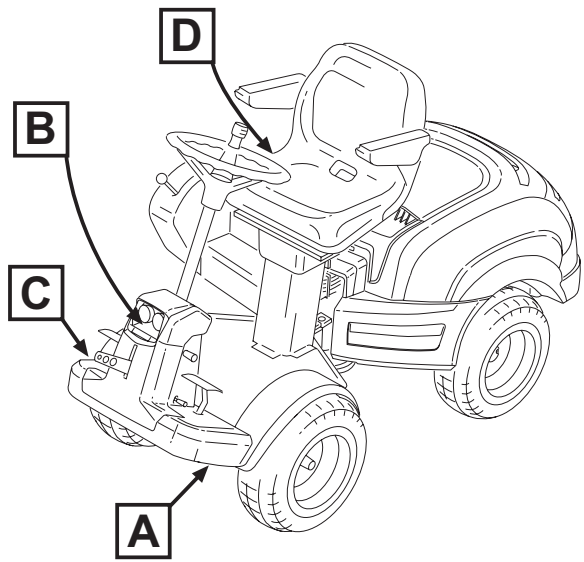


Utgåva Issue		Bildnr Picture No		PARK PRO 4WD HANDREGLAGE		PARK PRO 4WD HAND CONTROLS		Sida Page	
2011-11		1798D						172	
Pos. Fig.	Antal/Quantity			Art nr Part No	Benämning	Description	Sats Kit	Anmärkning Notes	
	6271	6272 6273 6276							
1A	1			1134-4156-01	Vinkelhållare	Panel bracket- inner			
1B		1		1134-6324-01	Vinkelhållare	Panel bracket			
2	2	2		9897-0820-16	Skruv	Screw			
3	2	2		9739-0831-22	Mutter	Nut			
9	1	1		1134-4077-01	Gasreglage.....	Throttle control			
10	1	1		1134-4078-01	Knopp	Knob			
11	1	1		1134-0240-00	Ansatsskruv.....	Shoulder screw			
12	2	2		1134-4242-01	Distansbricka.....	Spacer washer			
13	1	1		9694-0001-00	Fjäderbricka	Washer			
14	1	1		9747-0831-02	Mutter	Lock nut			
15	1	1		1137-0063-01	Gaswire	Throttle cable			
16	1	1		1137-0115-01	Överfall	Cable clamp			
17	1	1		9943-0516-16	Skruv	Screw			
18	2	2		1137-0115-01	Överfall	Cable clamp			
25	1	1		1134-6328-01	Frontfäste	Panel bracket- front.....			
26	2	2		9893-0616-16	Skruv	Screw			
27	1	1		1134-6327-01	Frontplåt	Front plate			
28	4	4		9893-0616-16	Skruv	Screw			
34	1	1		1134-2871-03	Relä	Relay			
35	2	2		1134-2871-01	Relä	Relay			
36	3	3		9997-0512-16	Skruv	Screw			
37	3	3		9739-0531-22	Mutter	Nut			
38	1			1134-6096-07	Kassett.....	Control panel.....			
38		1		1134-6096-08	Kassett.....	Dashboard			
39	4	4		9946-0525-16	Skruv	Screw			
40	2	2		1134-4129-01	Täckbricka	Cover			
42	1	1		1134-4093-01	Tändningslås	Ignition switch			
45	1	1		1134-4749-01	Mutter	Nut			
46	1	1		1137-0062-01	Chokereglage.....	Choke control.....			
46A	1	1		1134-4338-01	- Reglageknopp.....	- Control knob			
47	2	2		9699-0090-02	Planbricka.....	Flat washer.....			
48	3	3		9400-0282-01	Brytare m.diod.....	Switch w.diode.....			
50	1	1		9400-0280-03	Vippa- höjdställning	Cover- height adjust			
51	1	1		9400-0280-01	Vippa- kraftuttag	Cover- PTO			
52	1	1		9400-0280-04	Vippa- redskap bak	Cover- rear tools			
53	1	1		9400-0283-01	Brytare.....	Switch			
54	1	1		9400-0280-05	Vippa- 12V.....	Cover- 12V			
55	1	1		1134-6097-02	Timräknare	Hour meter.....			
99	1	1		9400-0290-01	Verktyg f.vippa.....	Tool for cover.....		Tillbehör/Accessory	

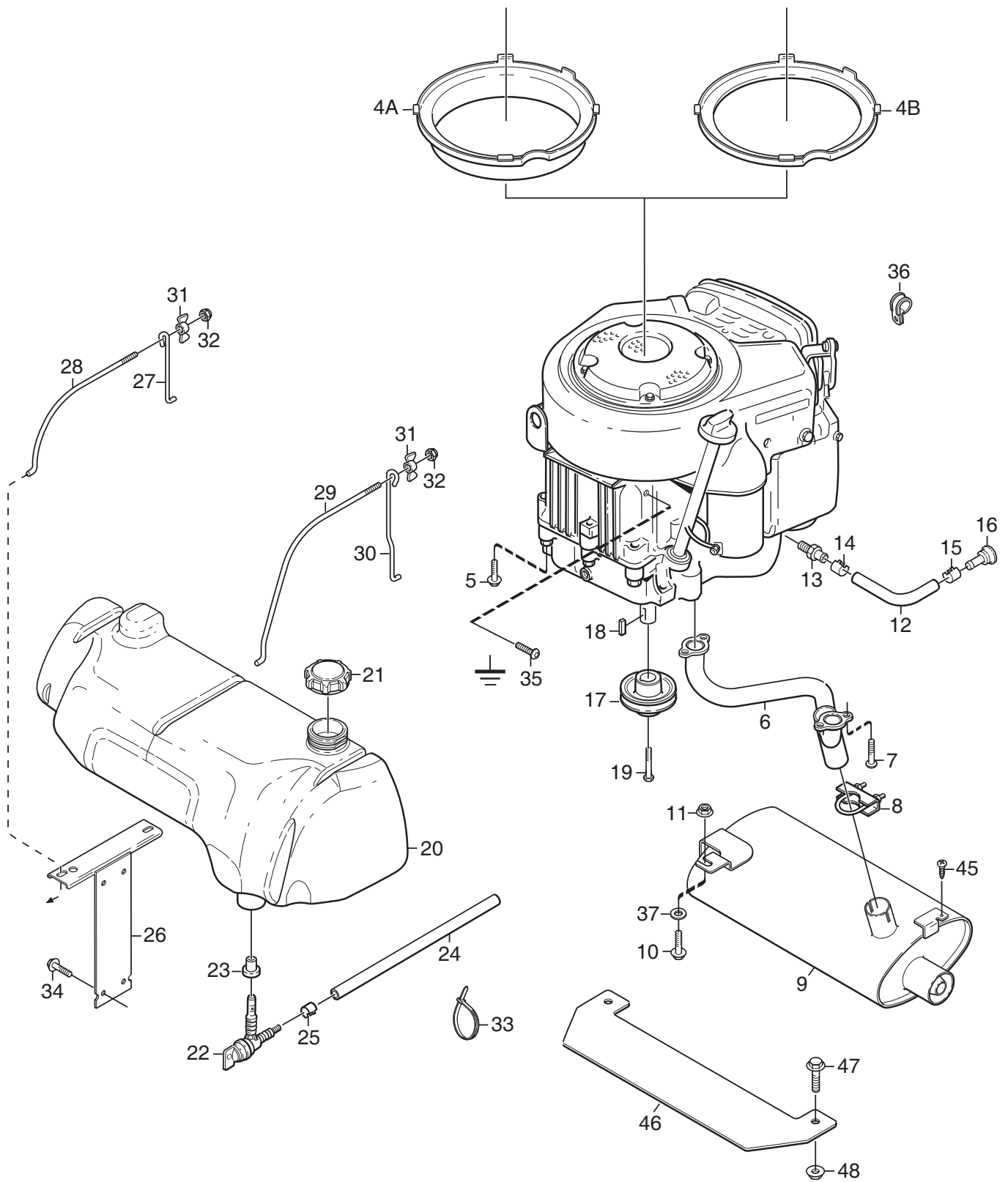
X



Utgåva Issue		Bildnr Picture No		PARK PRO 4WD FOTREGLAGE		PARK PRO 4WD FOOT CONTROLS		Sida Page	
2011-11		2211C						174	
Pos. Fig.	Antal/Quantity				Art nr Part No	Benämning	Description	Sats Kit	Anmärkning Notes
	6271	6272	6273	6276					
1	1				1134-5655-01	Broms/kopplingspedal.....	Brake/clutch pedal.....		Sats 4 st/kit of 4
2	1				1134-9024-01	Lager.....	Bearing.....		
3	1				1134-5815-01	Kopplingswire.....	Clutch cable.....		
4	1				1134-6020-01	Bromswire.....	Brake cable.....		
5	1				1134-5989-01	Fjäder.....	Spring.....		
6	1				1134-5677-02	Distans.....	Spacer.....		
7	1				9997-1070-12	Skruv.....	Screw.....		
8	1				9699-0030-02	Planbricka.....	Flat washer.....		
9	1				9739-1031-22	Mutter.....	Nut.....		
10	1				4231-0013-00	Fjäder.....	Spring.....		
11	1				1134-6353-01	Drivpedal.....	Drive pedal.....		
12	2				1134-6313-01	Lager.....	Bearing.....		
13	2				1134-2700-01	Fäste.....	Bracket.....		
14	2				9959-0820-16	Skruv.....	Screw.....		
15	2				9739-0831-22	Mutter.....	Nut.....		
16	1				9997-0835-16	Skruv.....	Screw.....		
17	1				9739-0831-22	Mutter.....	Nut.....		
22	1				1134-2766-08	Reglagewire.....	Control cable.....		
23	2				9570-0001-00	Vinkellänk.....	Elbow link.....		
24	2				9739-0531-22	Mutter.....	Nut.....		
25	1				1134-0266-00	Fästbygel.....	Attaching clamp.....		
26	1				1134-0267-00	Underläggsbleck.....	Clamp plate.....		
27	2				9997-0520-16	Skruv.....	Screw.....		
28	2				9739-0531-22	Mutter.....	Nut.....		
29	1				1134-5689-01	Wirekonsol.....	Cable bracket.....		
30	2				9945-0816-16	Skruv.....	Screw.....		
31	1				1134-3996-01	Fäste.....	Bracket.....		
32	1				1134-4187-01	Dämpare.....	Damper.....		
33	2				9997-0840-12	Skruv.....	Screw.....		
34	2				1134-1565-09	Distans.....	Spacer.....		
35	2				9739-0831-22	Mutter.....	Nut.....		
36	2				9747-0831-02	Mutter.....	Lock nut.....		
49A	1				1134-5353-01	Bromsstång.....	Brake rod.....		
50A	1				1134-2786-01	Plastknopp.....	Plastic knob.....		
51	1				1131-1497-01	Fjäder.....	Spring.....		
52	1				1134-4002-01	Fäste.....	Brake rod attachment.....		
54	3				9838-9516-12	Skruv.....	Screw.....		
55	2				9747-0531-02	Mutter.....	Nut.....		
60	2				1134-6340-02	Fotstöd.....	Foot rest.....		
61	4				9959-0620-16	Skruv.....	Screw.....		
62	4				9739-0631-22	Mutter.....	Nut.....		
63	1				1134-6317-01	Wirefäste.....	Cable holder.....		
64	2				9959-0620-16	Skruv.....	Screw.....		
65	2				9739-0631-22	Mutter.....	Nut.....		

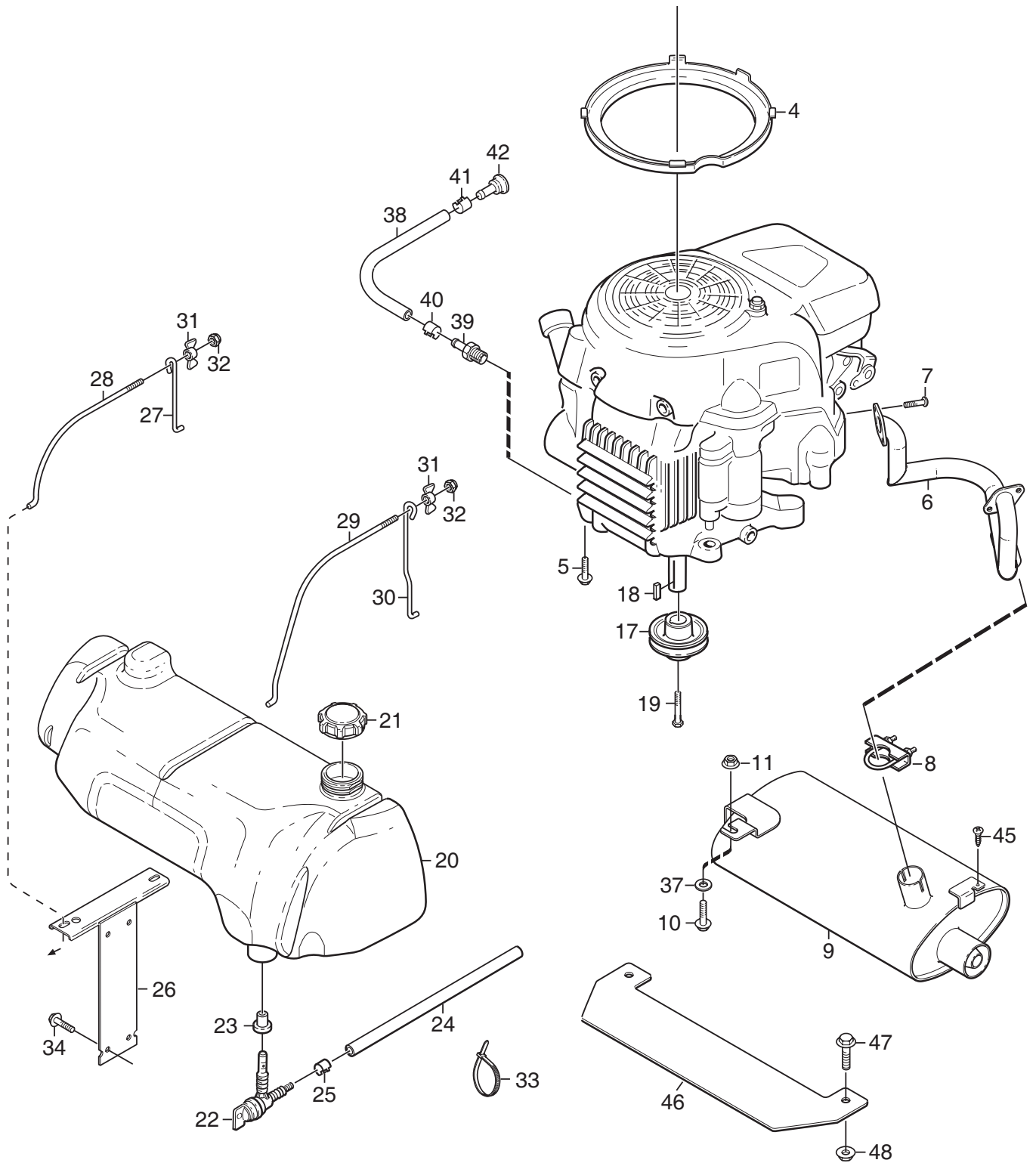


Utgåva Issue		Bildnr Picture No		PARK PRO 4WD ELUTRUSTNING		PARK PRO 4WD EL. EQUIPMENT		Sida Page	
2011- 11		1800E						176	
Pos. Fig.	Antal/Quantity				Art nr Part No	Benämning	Description	Sats Kit	Anmärkning Notes
	6271 6273	6272	6276						
	1	1	1	1	1134-5751-01	Batteri	Battery		12V - 24Ah
	2	1	1	1	1134-5643-01	Batteriplåt	Battery plate		
	3	1	1	1	1134-5642-01	Batteribygge	Battery loop		
	4	1	1	1	9699-0060-02	Planbricka	Flat washer		
	5	1	1	1	9747-0631-02	Låsmutter	Lock nut		
	6	1	1	1	1134-2962-01	Solenoid kpl	Solenoid assy		Inkl. pos 6A
	6A	2	2	2	9794-5131-02	• Mutter	• Nut		
	7	1	1	1	9838-9516-12	Skruv	Screw		
	8	1	1	1	9699-0060-02	Planbricka	Flat washer		
	9	1	1	1	1134-3491-01	Säkringshållare	Fuse holder		
	10	2	2	2	9838-9516-12	Skruv	Screw		
	11	1	1	1	1134-3496-01	Säkring	Fuse		10A
	11	1	1	1	1134-3496-06	Säkring	Fuse		20A
	11	1	1	1	1134-3496-07	Säkring	Fuse		30A
	12	1	1	1	1134-3631-01	Lock-säkringsdosa	Cover-fuse holder		
	14	1	1	1	1134-3399-01	Brytare	Switch		
	15	2	2	2	9943-0516-16	Skruv	Screw		
	19	1	1	1	1134-7535-01	Honkontakt	Female terminal		
	21	2	2	2	9840-7716-16	Skruv	Screw		
	22	1	1	1	1134-4970-01	Kabel	Cable		
	23	1	1	1	1134-0234-02	Batterikabel (+)	Battery cable (+)		
	24	1	1	1	1134-2310-01	Batteriskydd	Guard cap		
	26	8	8	8	9579-0003-00	Buntband	Cable holder		
X	26	2	2	2	9579-0018-01	Buntband	Cable tie		L=390
	27	1	1	1	1137-0075-01	Fäste	Bracket		
	28	1	1	1	9959-0820-16	Skruv	Screw		
	29	1	1	1	9739-0831-22	Mutter	Nut		
	30	1			1134-6455-01	Kablage	Harness		B&S
	30		1		1134-6468-01	Kablage	Harness		Honda
X	30			1	1137-0172-01	Kablage	Harness		Honda
	32	1	1	1	1134-6454-01	Jordplåt	Ground plate		
	33	2	2	2	9400-0358-01	LED- lampa	LED- lamp		
	34	1	1	1	1134-7505-01	Kablage	Harness		
X	40			1	1137-0203-01	Konsol	Bracket		
	41			1	9893-0616-16	Skruv	Screw		
	42			1	1134-2871-01	Relä	Relay		
	43			2	9959-0612-16	Skruv	Screw		
	44			1	9739-0631-22	Mutter	Nut		



Utgåva Issue 2011- 11		Bildnr Picture No 1802C		PARK PRO 4WD PRO 16- PRO 20 MOTOR (Briggs & Stratton)		PARK PRO 4WD PRO 16- PRO 20 ENGINE (Briggs & Stratton)		Sida Page 178	
Pos. Fig.	Antal/Quantity			Art nr Part No	Benämning	Description	Sats Kit	Anmärkning Notes	
	6271	6273							
4A	1			1134-6116-04	Luftkanal.....	Air duct		Ø = 200, H = 45 mm Ø = 215, H = 6 mm	
4B		1		1134-6116-01	Luftkanal.....	Air duct			
5	4	4		9955-3725-16	Skruv.....	Screw.....			
6	1	1		1134-5733-01	Grenrör.....	Exhaust pipe			
7	4	4		9939-0820-16	Skruv.....	Screw.....			
8	1	1		9578-0011-01	Klämma.....	Clamp.....			
9	1	1		1137-0073-01	Ljuddämpare.....	Muffler			
10	1	1		9959-0820-16	Skruv.....	Screw.....			
11	1	1		9739-0831-22	Mutter.....	Nut.....			
12	1	1		1134-5827-04	Oljeavtappning kpl.....	Oil drain assy		L = 290 mm	
13	1	1		1134-5825-01	• Nippel.....	• Nipple.....			
14	1	1		9578-0023-04	• Slangklämma.....	• Hose clamp			
15	1	1		1134-3499-02	• Slangklämma.....	• Hose clamp			
16	1	1		1134-5826-01	• Plugg.....	• Plug.....			
17	1	1		1137-0008-01	Motorremskiva.....	Engine belt pulley.....		Ø = 109 mm	
18	1	1		9600-0251-00	Plattkil.....	Key.....			
19	1			9987-5364-12	Skruv.....	Screw.....		L = 64 mm	
19		1		9987-5376-12	Skruv.....	Screw.....		L = 76 mm	
20	1	1		1134-5644-01	Bensintank.....	Fuel tank		14 Liter	
21	1	1		1134-5532-01	Tanklock.....	Fuel tank cap.....			
22	1	1		1134-3224-01	Bensinkran.....	Fuel shut-off valve.....			
23	1	1		1134-3225-01	Gummibussning.....	Grommet.....			
24	0,46	0,46		9505-0001-01	Bensinslang (meter).....	Fuel line (metre).....		Per meter	
25	2	2		9578-0023-02	Slangklämma.....	Hose clamp.....			
26	1	1		1134-5615-01	Tankkonsol.....	Tank bracket.....			
27	1	1		1134-5621-01	Tankbygel.....	Tank loop			
28	1	1		1134-5622-01	Tankbygel.....	Tank loop			
29	1	1		1134-5623-01	Tankbygel.....	Tank loop			
30	1	1		1134-5765-01	Tankbygel.....	Tank loop			
31	2	2		1134-4481-02	Vingmutter.....	Wing nut			
32	2	2		9747-0631-02	Låsmutter.....	Lock nut.....			
33	1	1		9579-0003-00	Buntband.....	Cable holder.....			
34	2	2		9945-0816-16	Skruv.....	Screw.....			
35	1	1		9939-0820-16	Skruv.....	Screw.....			
37	1	1		9699-0056-02	Planbricka.....	Flat washer.....			
45	1	1		9893-0616-16	Skruv.....	Screw.....			
46	1	1		1137-0072-01	Deflektor.....	Deflector			
47	2	2		9959-0820-16	Skruv.....	Screw.....			
48	2	2		9739-0831-22	Mutter.....	Nut.....			

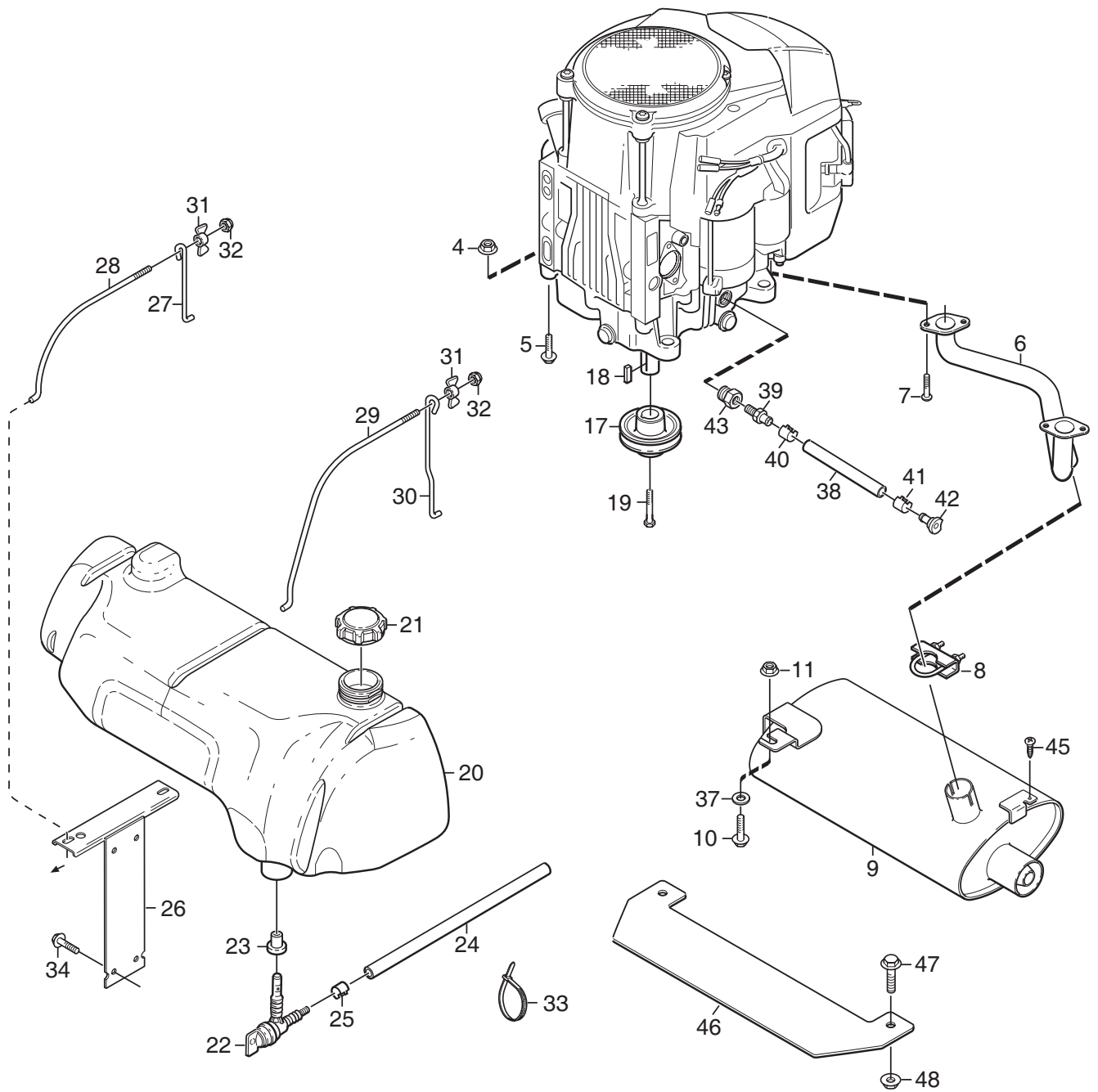
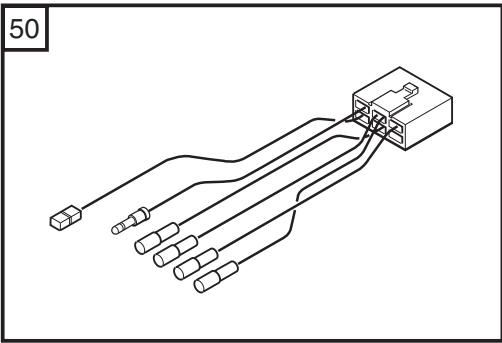
X



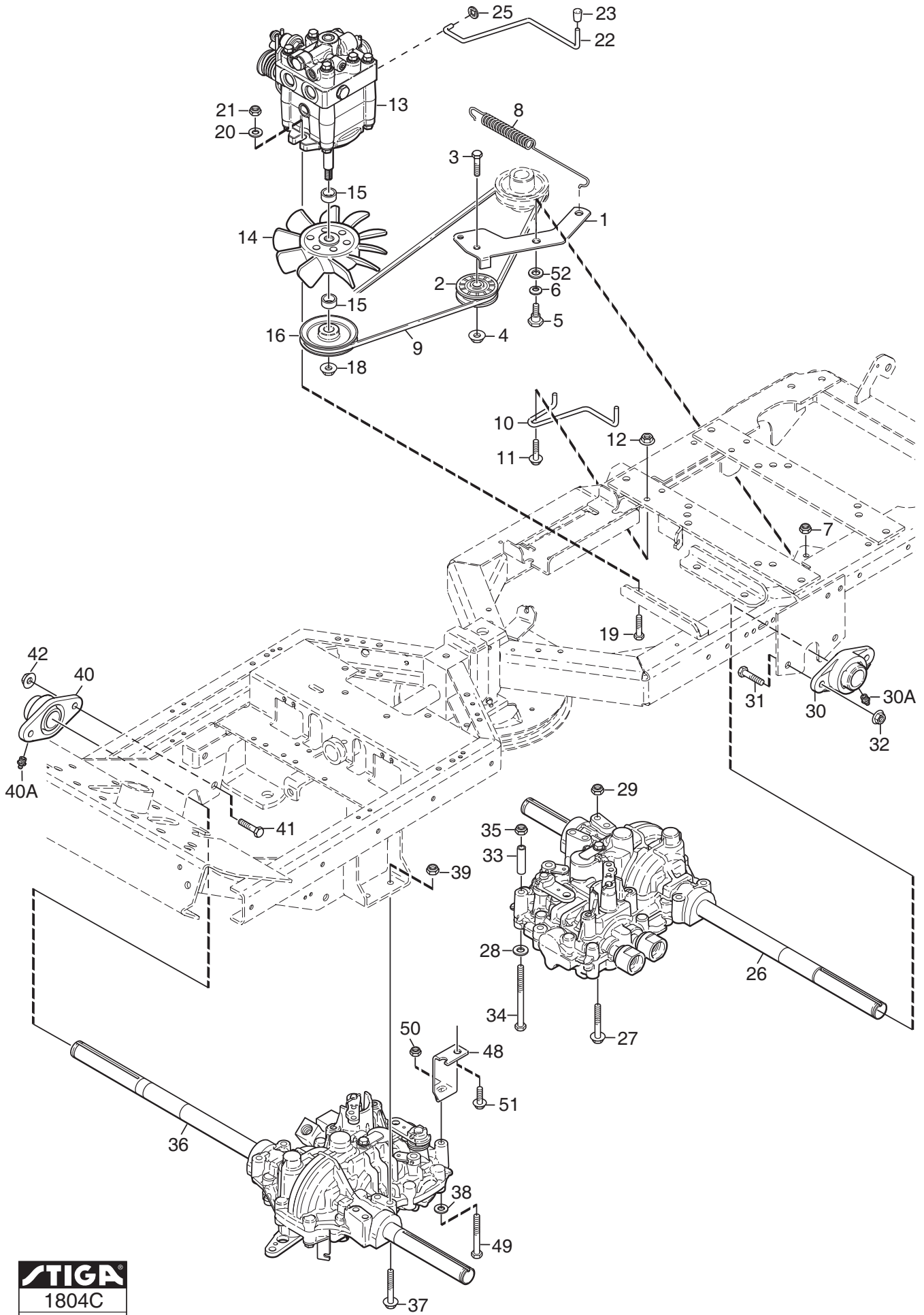
Utgåva Issue		Bildnr Picture No		PARK PRO 4WD PRO SVAN MOTOR (Honda GXV530)		PARK PRO 4WD PRO SVAN ENGINE (Honda GXV530)		Sida Page	
2011- 11		2013B						180	
Pos. Fig.	Antal/Quantity				Art nr Part No	Benämning	Description	Sats Kit	Anmärkning Notes
	6272								
4	1				1134-6116-02 Luffring.....	Air duct		Ø = 221, H = 15 mm	
5	4				9955-3725-16 Skruv.....	Screw.....			
6	1				1134-5902-01 Grenrör.....	Exhaust pipe			
7	4				9939-0820-16 Skruv.....	Screw.....			
8	1				9578-0011-01 Klämma.....	Clamp.....			
9	1				1137-0073-01 Ljuddämpare.....	Muffler			
10	1				9959-0820-16 Skruv.....	Screw.....			
11	1				9739-0831-22 Mutter.....	Nut.....			
17	1				1137-0008-01 Motorremskiva.....	Engine belt pulley.....		Ø = 109 mm	
18	1				9600-0251-00 Plattkil.....	Key.....			
19	1				9987-5364-12 Skruv.....	Screw.....			
20	1				1134-5644-01 Bensintank.....	Fuel tank		14 Liter	
21	1				1134-5532-01 Tanklock.....	Fuel tank cap.....			
22	1				1134-3224-01 Bensinkran.....	Fuel shut-off valve.....			
23	1				1134-3225-01 Gummibussning.....	Grommet.....			
24	0,46				9505-0001-01 Bensinslang (meter).....	Fuel line (metre).....		Per meter	
25	2				9578-0023-02 Slangklämma.....	Hose clamp			
26	1				1134-5615-01 Tankkonsol.....	Tank bracket.....			
27	1				1134-5621-01 Tankbygel.....	Tank loop			
28	1				1134-5622-01 Tankbygel.....	Tank loop			
29	1				1134-5623-01 Tankbygel.....	Tank loop			
30	1				1134-5765-01 Tankbygel.....	Tank loop			
31	2				1134-4481-02 Vingmutter.....	Wing nut			
32	2				9747-0631-02 Låsmutter.....	Lock nut.....			
33	1				9579-0003-00 Buntband.....	Cable holder.....			
34	2				9945-0816-16 Skruv.....	Screw.....			
35	1				9939-0820-16 Skruv.....	Screw.....		Jord/ground	
37	1				9699-0056-02 Planbricka.....	Flat washer.....			
38	1				1134-5827-04 Oljeavtappning kpl.....	Oil drain assy		L = 290 mm	
39	1				1134-5825-01 • Nippel.....	• Nipple.....			
40	1				9578-0023-04 • Slangklämma.....	• Hose clamp			
41	1				1134-3499-02 • Slangklämma.....	• Hose clamp			
42	1				1134-5826-01 • Plugg.....	• Plug.....			
45	1				9893-0616-16 Skruv.....	Screw.....			
46	1				1137-0072-01 Deflektor.....	Deflector			
47	2				9959-0820-16 Skruv.....	Screw.....			
48	2				9739-0831-22 Mutter.....	Nut.....			

X

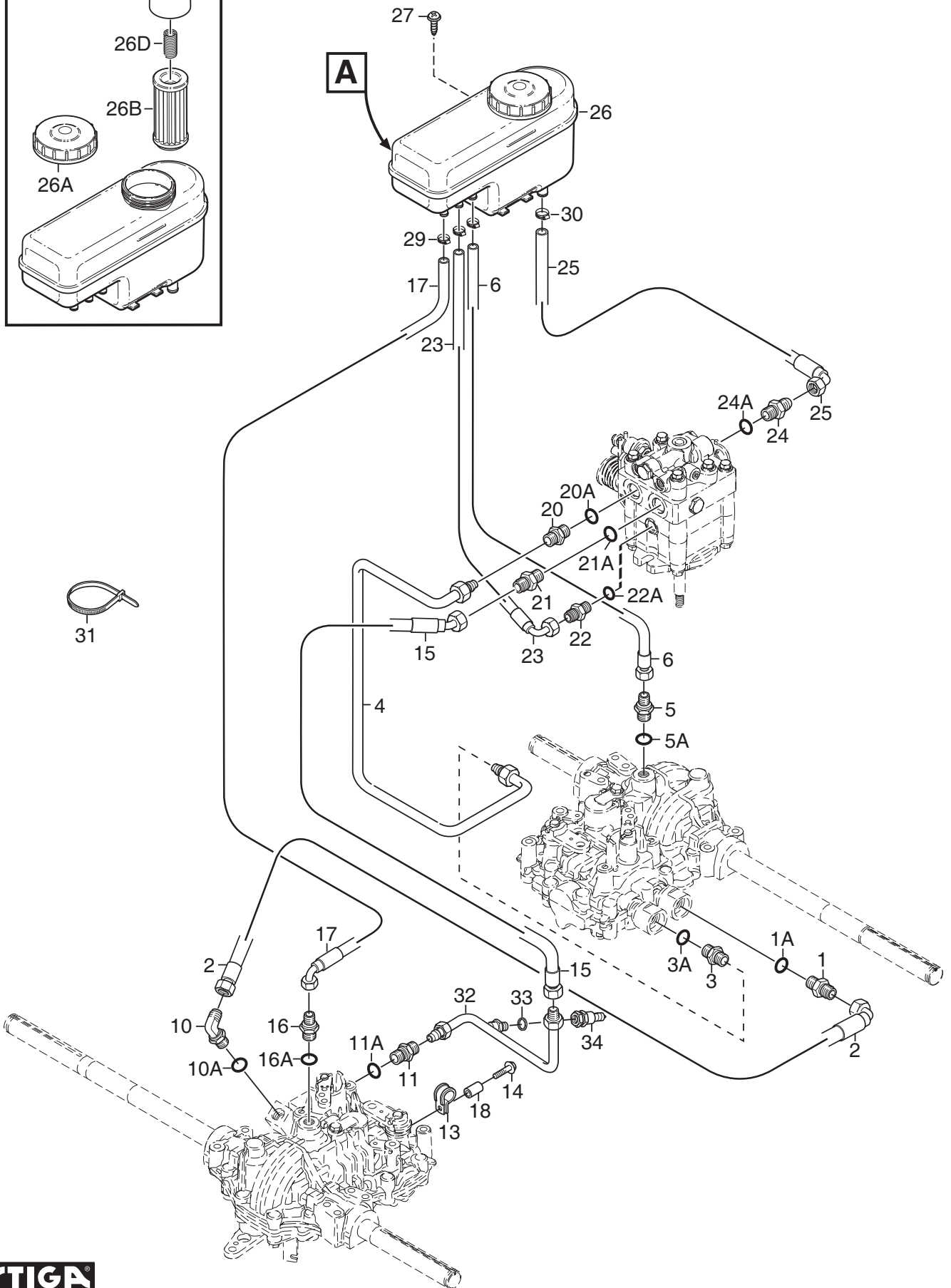
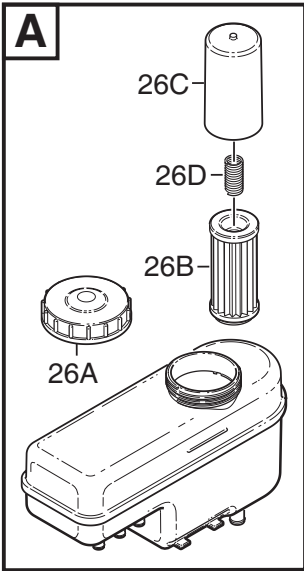
50



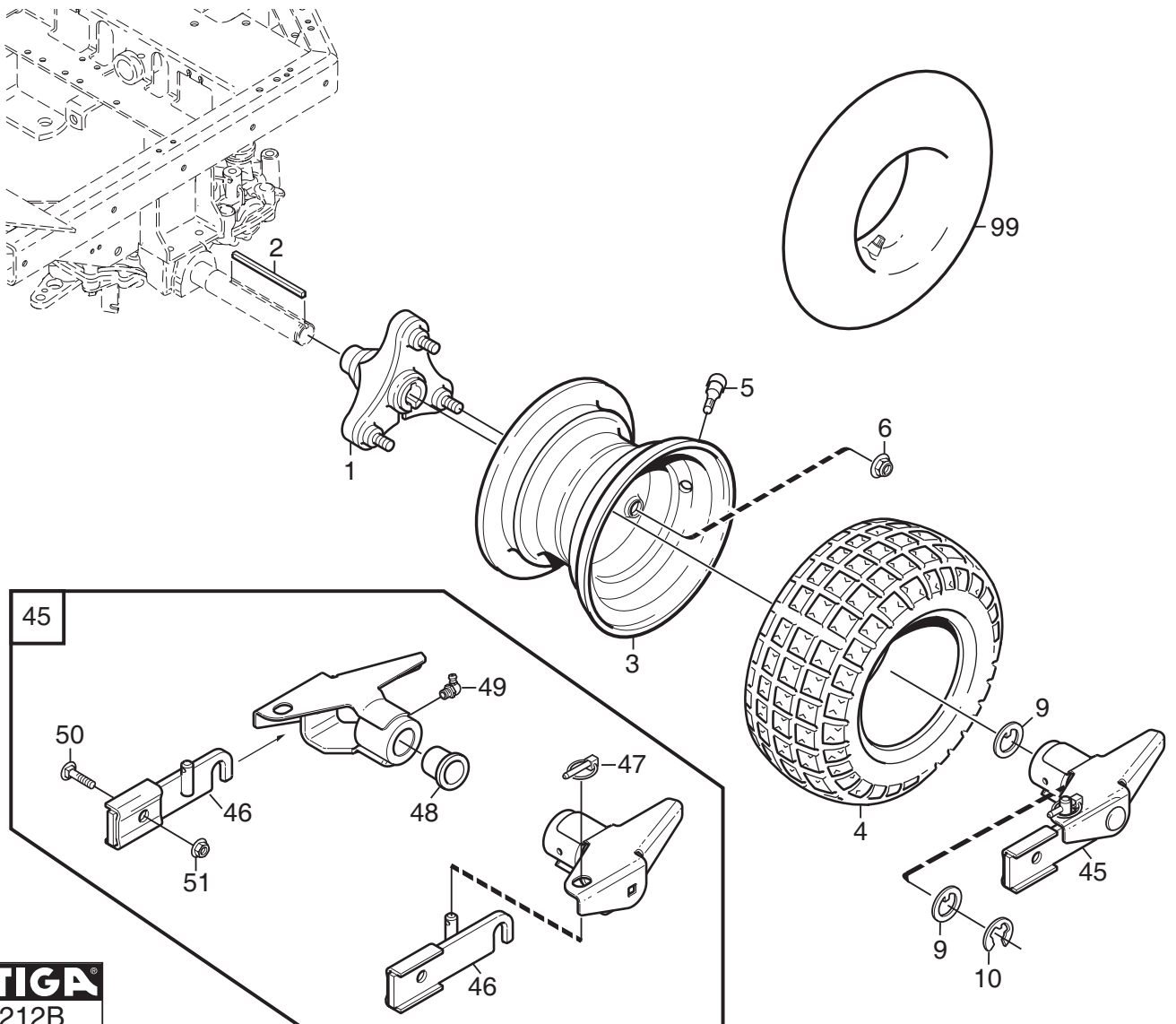
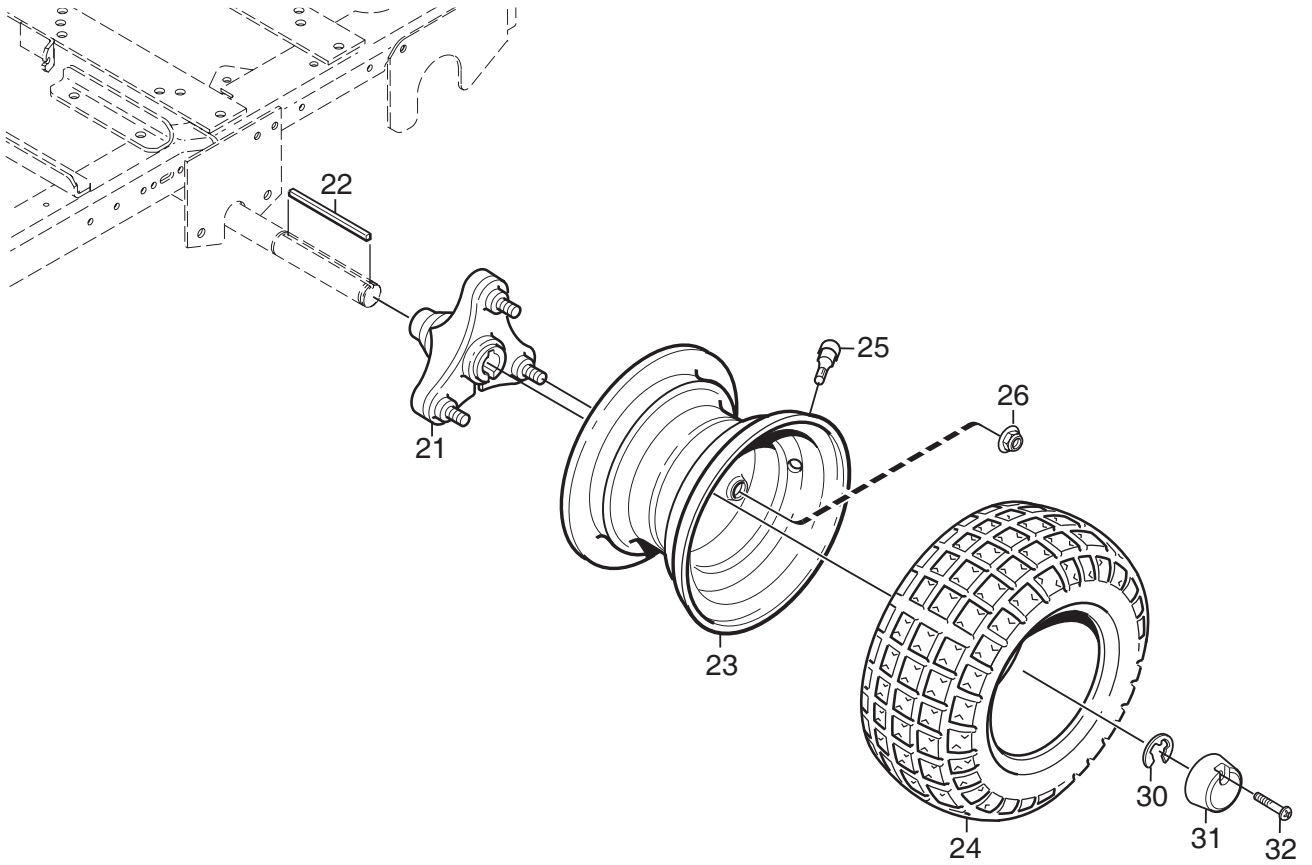
Utgåva Issue 2011- 11		Bildnr Picture No 2814		PARK PRO 4WD PRO 25 MOTOR (Honda GXV660)		PARK PRO 4WD PRO 25 ENGINE (Honda GXV660)		Sida Page 182	
Pos. Fig.	Antal/Quantity				Art nr Part No	Benämning	Description	Sats Kit	Anmärkning Notes
	6276								
	4	4			9731-1031-22	Mutter.....	Nut.....		
	5	4			9997-1050-16	Skruv.....	Screw.....		
X	6	1			1137-0178-01	Grenrör.....	Exhaust pipe.....		
	7	4			9939-0820-16	Skruv.....	Screw.....		
X	8	1			084-351-01	Klämma.....	Clamp.....		
X	9	1			1137-0179-01	Ljuddämpare.....	Muffler.....		
	10	1			9959-0820-16	Skruv.....	Screw.....		
	11	1			9739-0831-22	Mutter.....	Nut.....		
X	17	1			1137-0008-01	Motorremskiva.....	Engine belt pulley.....		Ø = 109 mm
	18	1			9600-0251-00	Plattkil.....	Key.....		
	19	1			9987-5376-12	Skruv.....	Screw.....		
	20	1			1134-5644-01	Bensintank.....	Fuel tank.....		14 Liter
	21	1			1134-5532-01	Tanklock.....	Fuel tank cap.....		
	22	1			1134-3224-01	Bensinkran.....	Fuel shut-off valve.....		
	23	1			1134-3225-01	Gummibussning.....	Grommet.....		
	24	0,78			9505-0001-01	Bensinslang (meter).....	Fuel line (metre).....		Per meter
	25	2			9578-0023-02	Slangklämma.....	Hose clamp.....		
	26	1			1134-5615-01	Tankkonsol.....	Tank bracket.....		
	27	1			1134-5621-01	Tankbygel.....	Tank loop.....		
	28	1			1134-5622-01	Tankbygel.....	Tank loop.....		
	29	1			1134-5623-01	Tankbygel.....	Tank loop.....		
	30	1			1134-5765-01	Tankbygel.....	Tank loop.....		
	31	2			1134-4481-02	Vingmutter.....	Wing nut.....		
	32	2			9747-0631-02	Låsmutter.....	Lock nut.....		
	33	1			9579-0003-00	Buntband.....	Cable holder.....		
	34	2			9945-0816-16	Skruv.....	Screw.....		
	35	1			9939-0820-16	Skruv.....	Screw.....		Jord/ground
	37	1			9699-0056-02	Planbricka.....	Flat washer.....		
	38	1			1134-5827-04	Oljeavtappning kpl.....	Oil drain assy.....		L = 290 mm
	39	1			1134-5825-01	• Nippel.....	• Nipple.....		3/8" NPTF
	40	1			9578-0023-04	• Slangklämma.....	• Hose clamp.....		
	41	1			1134-3499-02	• Slangklämma.....	• Hose clamp.....		
	42	1			1134-5826-01	• Plugg.....	• Plug.....		
X	43	1			1137-0415-01	Adapter.....	Adapter.....		M20 - 3/8" NPTF
	45	1			9893-0616-16	Skruv.....	Screw.....		
	46	1			1137-0072-01	Deflektor.....	Deflector.....		
	47	2			9959-0820-16	Skruv.....	Screw.....		
	48	2			9739-0831-22	Mutter.....	Nut.....		
X	50	1			1137-0233-01	Adapterkablage.....	Adapter harness.....		



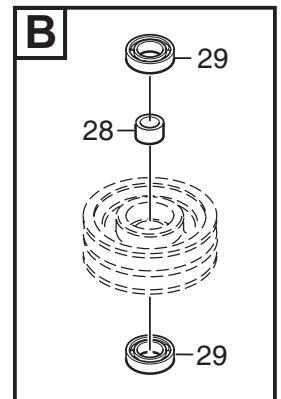
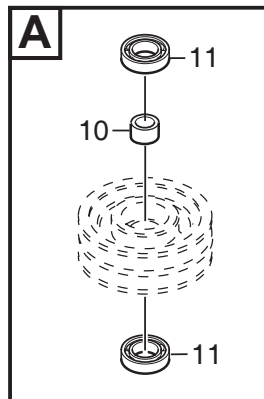
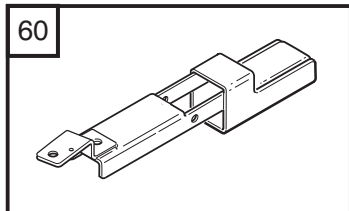
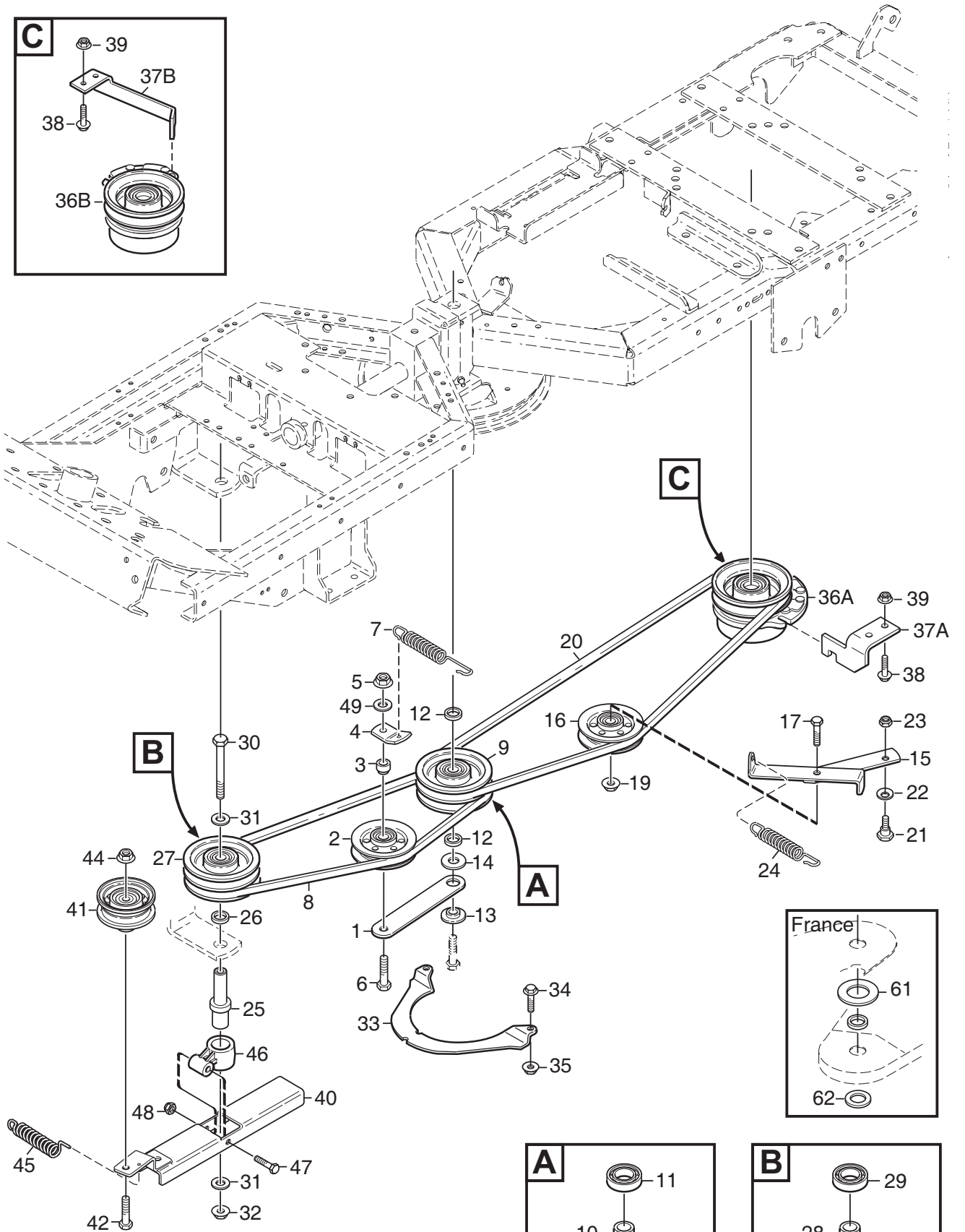
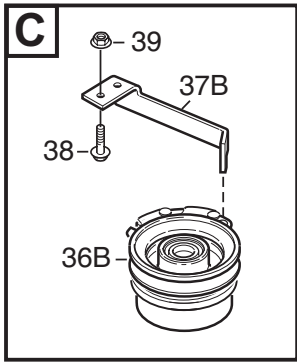
Utgåva Issue 2011-11		Bildnr Picture No 1804C		PARK PRO 4WD TRANSMISSION (mekaniska delar)		PARK PRO 4WD TRANSMISSION (mechanical parts)		Sida Page 184	
Pos. Fig.	Antal/Quantity				Art nr Part No	Benämning	Description	Sats Kit	Anmärkning Notes
	6271	6272	6273	6276					
1	1				1134-5739-01	Spännarm	Tension arm		
2	1				1134-3459-01	Spännrulle	Tension roller		
3	1				9997-1030-16	Skruv	Screw		
4	1				9739-1031-22	Mutter	Nut		
5	1				1134-0240-00	Ansatsskruv	Shoulder screw		
6	1				9665-0002-00	Brickfjäder	Bowed washer		
7	1				9747-0831-02	Mutter	Lock nut		
8	1				1134-5713-02	Fjäder	Spring		
9	1				1134-9058-01	Drivrem	V- belt		= 9585-0091-01
10	1				1134-5764-01	Remstyrning	Belt guide		
11	1				9959-0820-16	Skruv	Screw		
12	1				9739-0831-22	Mutter	Nut		
13	1				1134-5700-01	Hydraulpump kpl	Hydraulic pump assy		Kanzaki KPL 10ALP
14	1				1134-4190-01	Fläkt	Fan		
15	2				1134-5862-01	Distans	Spacer		
16	1				1134-5821-01	Remskiva	Belt pulley		
18	1				9731-1031-22	Mutter	Nut		
19	2				9997-1040-16	Skruv	Screw		
20	2				9699-0030-02	Planbricka	Flat washer		
21	2				9731-1031-22	Mutter	Nut		
22	1				1134-5763-01	Dragstång	Pull rod		
23	1				1134-4014-01	Plastknopp	Plastic button		
25	2				9675-0009-02	Starlock	Starlock		
26	1				1134-5701-01	Motoraxel- bak	Motor shaft- rear		Kanzaki KTM 10G
27	2				9960-0860-12	Skruv	Screw		
28	1				9699-0090-02	Planbricka	Flat washer		
29	2				9747-0831-02	Mutter	Lock nut		
30	1				1134-5703-01	Flänslagerenhet	Flange bearing		
30A	1				9501-0500-00	• Smörjnippel	• Grease joint		
31	2				9997-1040-16	Skruv	Screw		
32	2				9731-1031-22	Mutter	Nut		
33	1				1134-1565-15	Distans	Spacer		
34	1				9997-0812-02	Skruv	Screw		
35	1				9747-0831-02	Mutter	Lock nut		
36	1				1134-5702-01	Motoraxel- fram	Motor shaft- front		Kanzaki KTM 10F
37	2				9960-0860-12	Skruv	Screw		
38	1				9699-0090-02	Planbricka	Flat washer		
39	2				9747-0831-02	Mutter	Lock nut		
40	1				1134-5703-01	Flänslagerenhet	Flange bearing		
40A	1				9501-0500-00	• Smörjnippel	• Grease joint		
41	2				9997-1040-16	Skruv	Screw		
42	2				9731-1031-22	Mutter	Nut		
48	1				1134-5670-01	Reaktionsstag	Strut		
49	1				9997-0880-16	Skruv	Screw		
50	1				9747-0831-02	Mutter	Lock nut		
51	2				9945-0816-16	Skruv	Screw		
52	1				1134-4242-01	Distansbricka	Spacer washer		



Utgåva Issue 2011- 11		Bildnr Picture No 1805B		PARK PRO 4WD TRANSMISSION (hydrauliska delar)		PARK PRO 4WD TRANSMISSION (hydraulic parts)		Sida Page 186	
Pos. Fig.	Antal/Quantity				Art nr Part No	Benämning	Description	Sats Kit	Anmärkning Notes
	6271	6272	6273	6276					
	1	1			1134- 5810- 01	Adapter	Hydraulic coupling		3/4" x 3/4"
	1A	1			9404- 0029- 01	• O- ring.....	• O- ring		
X	2	1			1137- 0219- 01	Hydraulslang	Hydraulic tube.....		L = 1285
	3	1			1134- 5808- 01	Skärringskoppling	Hydraulic coupling		3/4"
	3A	1			9404- 0029- 01	• O- ring.....	• O- ring		
	4	1			1134- 5814- 01	Hydraulrör	Hydraulic tube.....		
	5	1			1134- 5809- 01	Adapter	Hydraulic coupling		3/4" x 9/16"
	5A	1			9404- 0029- 01	• O- ring.....	• O- ring		
X	6	1			1137- 0211- 01	Hydraulslang	Hydraulic tube.....		L = 275
	10	1			1134- 5807- 01	Vinkeladapter	Hydraulic coupling		3/4" x 3/4"
	10A	1			9404- 0029- 01	• O- ring.....	• O- ring		
	11	1			1134- 5875- 01	Skärringskoppling	Hydraulic coupling		3/4"
	11A	1			9404- 0029- 01	• O- ring.....	• O- ring		
	13	1			9578- 0028- 01	Rörklammer.....	Tube clamp.....		
	14	1			9959- 0825- 16	Skruv	Screw		
X	15	1			1137- 0223- 01	Hydraulslang	Hydraulic tube.....		L = 620
	16	1			1134- 5809- 01	Adapter	Hydraulic coupling		3/4" x 9/16"
	16A	1			9404- 0029- 01	• O- ring.....	• O- ring		
X	17	1			1137- 0215- 01	Hydraulslang	Hydraulic tube.....		L = 1200
	18	1			1134- 1565- 09	Distans	Spacer		
	20	1			1134- 5808- 01	Skärringskoppling	Hydraulic coupling		3/4"
	20A	1			9404- 0029- 01	• O- ring.....	• O- ring		
	21	1			1134- 5810- 01	Adapter	Hydraulic coupling		3/4" x 3/4"
	21A	1			9404- 0029- 01	• O- ring.....	• O- ring		
	22	1			1134- 4282- 01	Hydraulnippel	Hydraulic nipple		9/16" x 9/16"
	22A	1			9404- 0028- 01	• O- ring.....	• O- ring		
X	23	1			1137- 0215- 02	Hydraulslang	Hydraulic tube.....		L = 600
	24	1			1134- 5810- 01	Adapter	Hydraulic coupling		3/4" x 3/4"
	24A	1			9404- 0029- 01	• O- ring.....	• O- ring		
X	25	1			1137- 0220- 01	Hydraulslang	Hydraulic tube.....		L = 620
	26	1			1134- 5819- 02	Hydraultank kpl.....	Hydraulic oil tank		
X	26A	1			1137- 0272- 01	• Tanklock	• Tank cap		
	26B	1			1134- 5962- 02	• Oljefilter	• Oil filter		
	26C	1			1134- 5963- 01	• Hölje- oljefilter.....	• Cover- filter		
	26D	1			1134- 5964- 01	• Fjäder.....	• Spring		
	27	1			9838- 9516- 12	Skruv	Screw		
	29	3			9578- 0023- 04	Slangklämma.....	Hose clamp		15*8
	30	1			9578- 0023- 05	Slangklämma.....	Hose clamp		18,0/8
	31	1			9579- 0003- 00	Buntband	Cable holder		
	32	1			1134- 6039- 01	Hydraulrör	Hydraulic pipe		
	33	1			1134- 4948- 01	Tredobricka.....	Seal washer.....		
	34	1			1134- 6042- 01	Snabbkoppling- hane.....	Quick coupling- male.....		



Utgåva Issue		Bildnr Picture No		PARK PRO 4WD HJUL		PARK PRO 4WD WHEELS		Sida Page	
2011- 11		2212B						188	
Pos. Fig.	Antal/Quantity				Art nr Part No	Benämning	Description	Sats Kit	Anmärkning Notes
	6271	6272	6273	6276					
1	2				1134-4844-03 Hjulnav	Wheel hub			
2	2				1134-3383-02 Kil	Key			
3	2				1134-4558-01 Fälg	Rim			
4	2				9545-0124-01 Däck	Tyre			17 x 8.00 - 8
5	2				9545-0500-00 Ventil	Valve			
6	6				9731-1031-22 Mutter	Nut			
9	4				1134-5797-01 • Bricka	• Washer			
10	2				9653-0002-04 • Spårryttare	• Lock ring			
21	2				1134-4844-03 Hjulnav	Wheel hub			
22	2				1134-3383-02 Kil	Key			
23	2				1134-4558-01 Fälg	Rim			
24	2				9545-0124-01 Däck	Tyre			17 x 8.00 - 8
25	2				9545-0500-00 Ventil	Valve			
26	6				9731-1031-22 Mutter	Nut			
30	2				9653-0002-04 Spårryttare	Lock ring			
31	2				1134-4796-01 Navkapsel	Hub cap			
32	2				9947-0540-19 Skruv	Screw			
45	1				13-0993-61 Snabbfäste kpl	Quick connections			Inkl. pos 9,10,46- 51
46	1				1134-7465-01 • Fästen kpl, vä+hö	• Attachment kit, LH+RH			Inkl. pos 50- 51
47	2				1137-0077-01 • Låssprint	• Locking pin			
48	4				1134-5686-01 • Lagerbussning	• Bearing bush			
49	2				9501-0502-00 • Smörjnippel	• Grease joint			
50	2				9898-1035-16 •• Skruv	•• Screw			
51	2				9739-1031-22 •• Mutter	•• Nut			
99					9545-0203-00 Innerslang	Inner tube			Reservdel/spare part



Utgåva Issue		Bildnr Picture No		PARK PRO 4WD KRAFTUTTAG		PARK PRO 4WD POWER TAKE- OFF		Sida Page	
2011- 11		1807C						190	
Pos. Fig.	Antal/Quantity				Art nr Part No	Benämning	Description	Sats Kit	Anmärkning Notes
	6271 6272	6273 6276	6272 FR	6273 6276 FR					
1	1	1	1	1	1134-1730-01	Spännhjulssarm	Tension wheel arm		
2	1	1	1	1	1134-3663-01	Spännrulle	Tension wheel		
3	1	1	1	1	1134-1888-05	Distans	Spacer		
4	1	1	1	1	1134-1893-01	Fjäderfäste	Spring attachment		
5	1	1	1	1	9739-1031-22	Mutter	Nut		
6	1	1	1	1	9997-1060-12	Skruv	Screw		
7	1	1	1	1	1134-5713-01	Dragfjäder	Spring		
8	1	1	1	1	1134-9098-01	Drivrem	V- belt		
9	1	1	1	1	1137-0004-01	Centrumremskiva kpl.	Centre pulley assy		= 9585-0148-01 Inkl. pos 10-11
10	1	1	1	1	1134-0051-09	• Distans	• Spacer		
11	2	2	2	2	9549-0019-00	• Kullager	• Ball bearing		
12	2	2	1	1	1134-0052-00	Lagerdistans	Bearing spacer		
13	1	1	1	1	1134-0222-00	Bricka	Washer		
14	1	1	1	1	9699-0109-02	Planbricka	Flat washer		
15	1	1	1	1	1134-5742-01	Spännarm	Tension arm		
16	1	1	1	1	1134-3663-01	Spännrulle	Tension wheel		
17	1	1	1	1	9997-1040-16	Skruv	Screw		
19	1	1	1	1	9739-1031-22	Mutter	Nut		
20	1	1	1	1	1134-9097-01	Drivrem	V- belt		= 9585-0147-01
21	1	1	1	1	1134-0240-00	Ansatssskruv	Shoulder screw		
22	1	1	1	1	9665-0002-00	Brickfjäder	Bowed washer		
23	1	1	1	1	9747-0831-02	Mutter	Lock nut		
24	1	1	1	1	1134-5713-03	Fjäder	Spring		
25	1	1	1	1	1134-5663-01	Axel	Shaft		
26	1	1	1	1	1134-0052-00	Lagerdistans	Bearing spacer		
27	1	1	1	1	1137-0004-01	Centrumremskiva kpl.	Centre pulley assy		Inkl. pos 28-29
28	1	1	1	1	1134-0051-09	• Distans	• Spacer		
29	2	2	2	2	9549-0019-00	• Kullager	• Ball bearing		
30	1	1	1	1	9997-1011-06	Skruv	Screw		
31	2	2	2	2	9699-0030-02	Planbricka	Flat washer		
32	1	1	1	1	9739-1031-22	Mutter	Nut		
33	1	1	1	1	1134-3654-01	Fingerskydd	Finger guard		
34	2	2	2	2	9959-0612-16	Skruv	Screw		
35	2	2	2	2	9739-0631-22	Mutter	Nut		
36A	1	1	1	1	1134-7430-01	Magnetkoppling	Magnet clutch		
36B	1	1	1	1	1134-5674-01	Magnetkoppling	Magnet clutch		
37A	1	1	1	1	1134-5664-01	Momentstag	Torque plate		
37B	1	1	1	1	1134-6452-01	Momentstag	Torque plate		
38	2	2	2	2	9959-0820-16	Skruv	Screw		
39	2	2	2	2	9739-0831-22	Mutter	Nut		
40	1	1	1	1	1134-5660-01	Spännarm	Tension arm		
41	1	1	1	1	1134-5823-01	Spännrulle	Tension roller		
42	1	1	1	1	9997-1050-16	Skruv	Screw		
44	1	1	1	1	9739-1031-22	Mutter	Nut		
45	1	1	1	1	1134-5824-01	Fjäder	Spring		
46	1	1	1	1	1134-6314-01	Spännarmsfäste	Attachment		
47	1	1	1	1	9997-0645-12	Skruv	Screw		
48	1	1	1	1	9747-0631-02	Låsmutter	Lock nut		
49	1	1	1	1	9699-0035-02	Planbricka	Flat washer		
60				1	1137-0386-01	Spännarm	Tension arm		France
61				1	1137-0353-01	Bricka (plast)	Washer (plastic)		26x50x2
62				1	9699-0104-02	Bricka	Washer		17x30x3
63				1	9699-0035-02	Planbricka	Flat washer		10,5x22x2

X
X