

Genuine Spare Parts

www.stiga.com

PARK Consumer High 2WD Model Year 2011

includes:

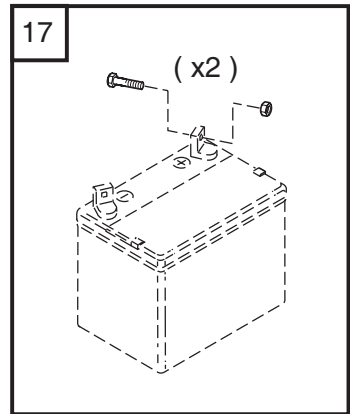
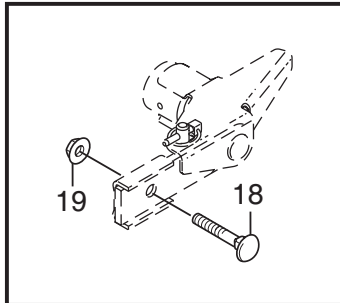
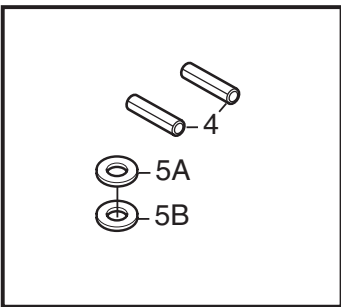
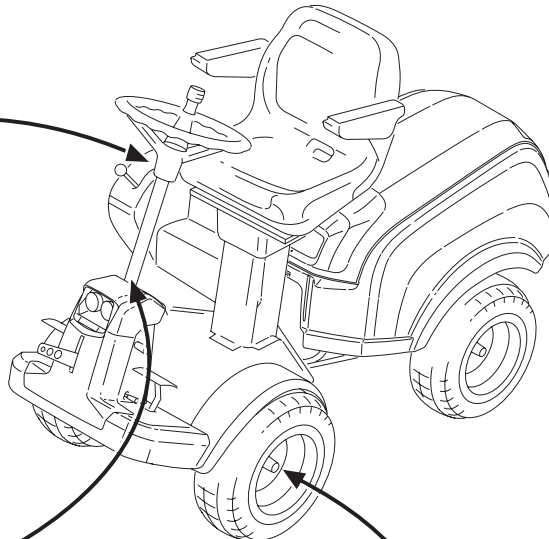
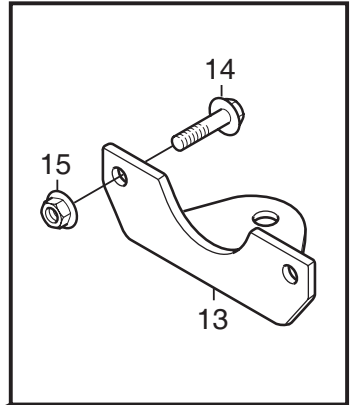
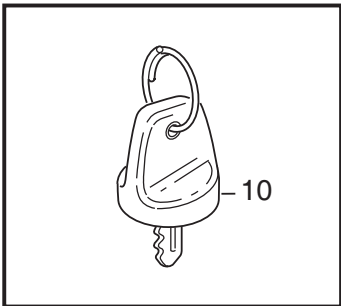
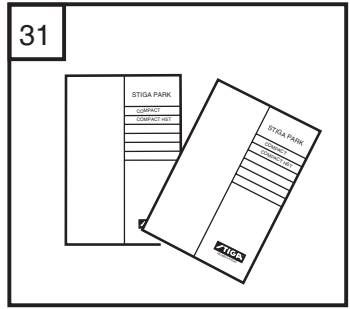
- 13-6311-11 Park Plus
- 13-6311-31 Park Plus (FR)
- 13-6314-11 Park Plus Unlimited
- 13-6313-11 Park Excellent
- 13-6379-11 Park Ranger Svan
- 13-6379-31 Park Ranger Svan (FR)
- 13-6144-75 Park Silent

- Use GLOBAL GARDEN PRODUCT Genuine Spare Parts specified in the parts list for repair and/or replacement.
- The contents described in the parts list may change due to improvement.
- The drawings of the spare parts are only indicative and might not represent the part in question exactly.
- The indications "right" - "left" - "front" - "rear" refer to the position of the operator when using the machine.
- When placing orders of parts for repair and/or replacement, make sure that the illustrated parts list is the one applying to the machine's year of manufacture, as shown on the identification plate attached to the machine.

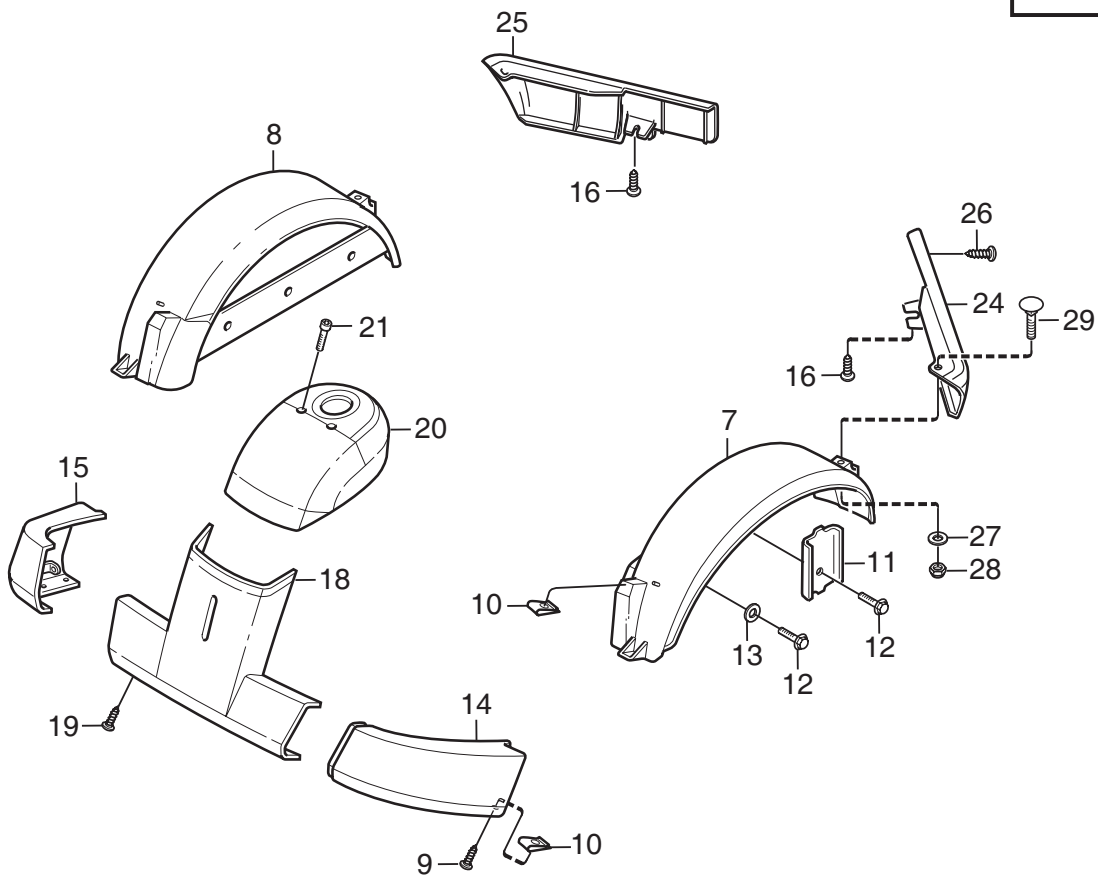
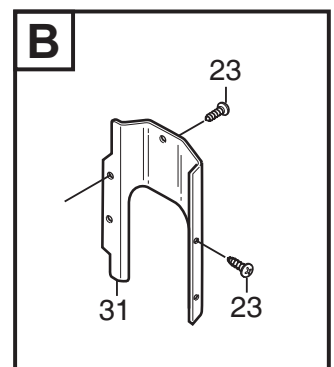
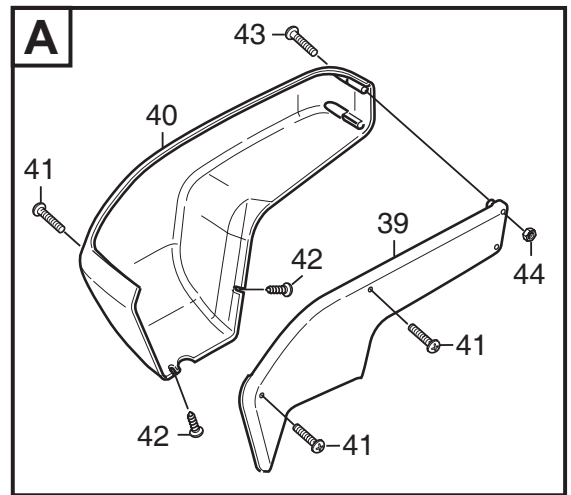
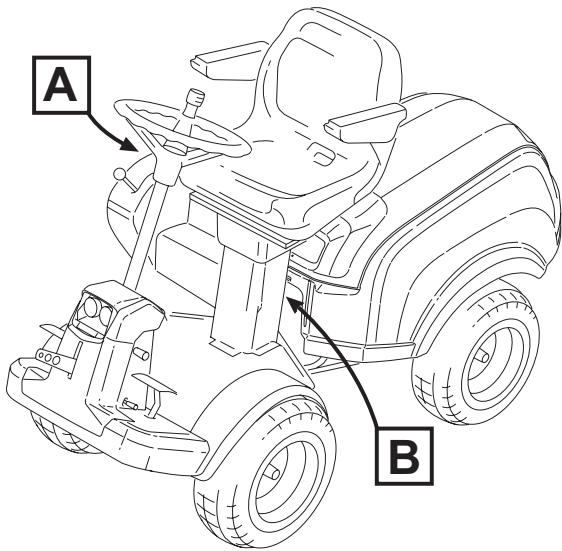
COPYRIGHT by GLOBAL GARDEN PRODUCTS

All rights reserved. No part of this material may be reproduced or transmitted, in any form or by any means, electronic or mechanical, including photocopying, recording or by any information storage and retrieval system, without permission in writing from GLOBAL GARDEN PRODUCTS.

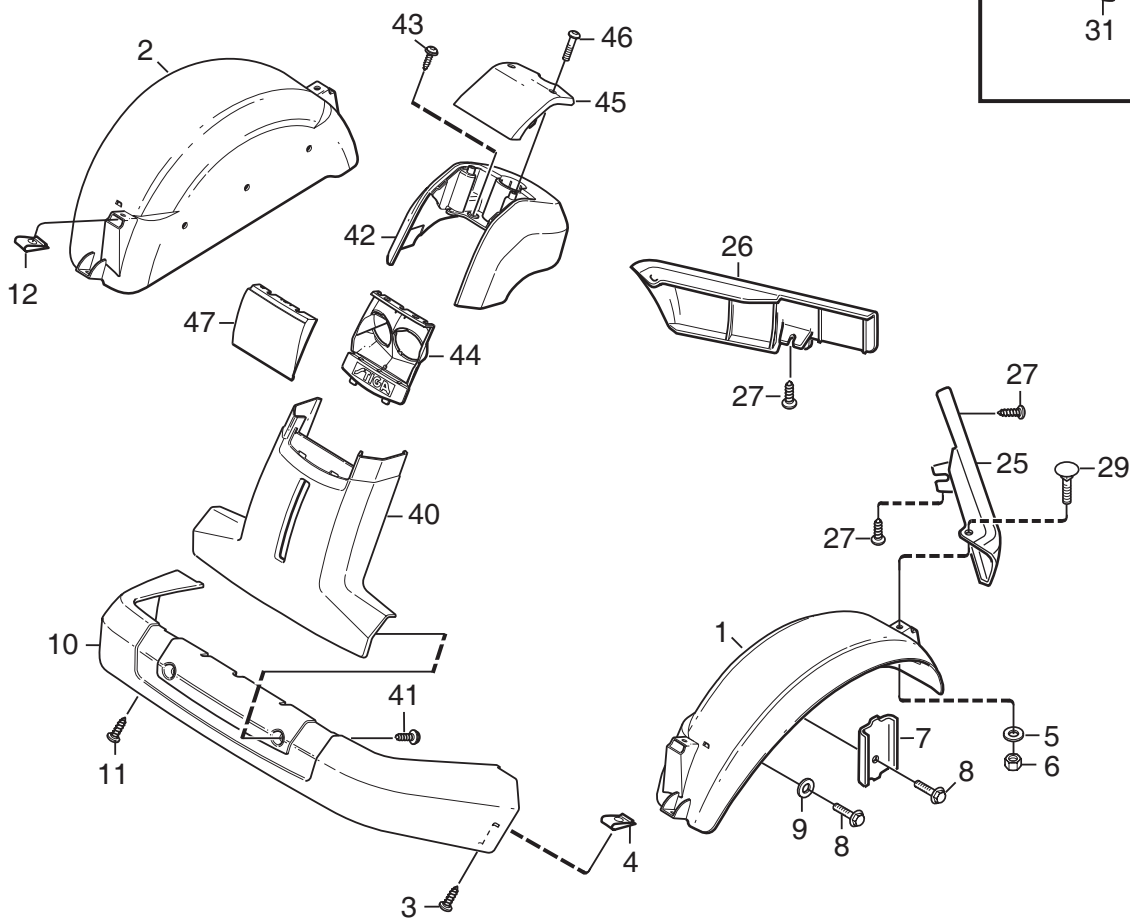
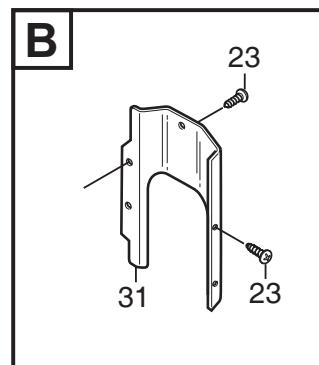
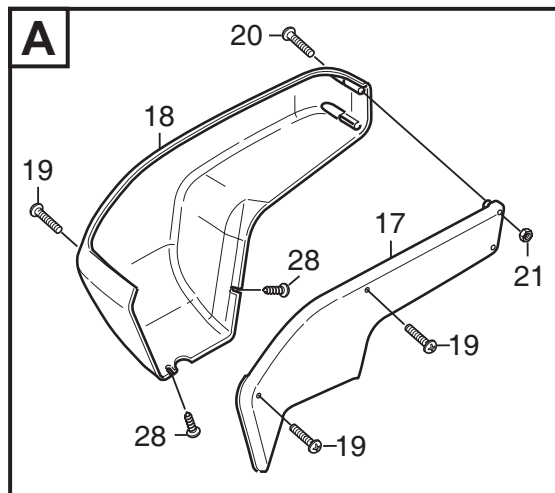
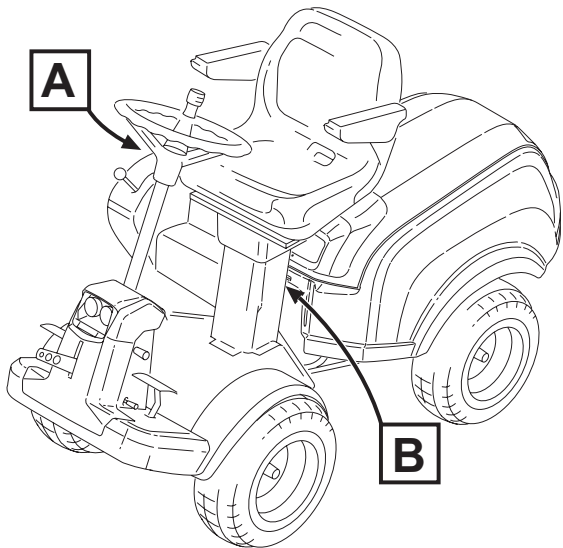




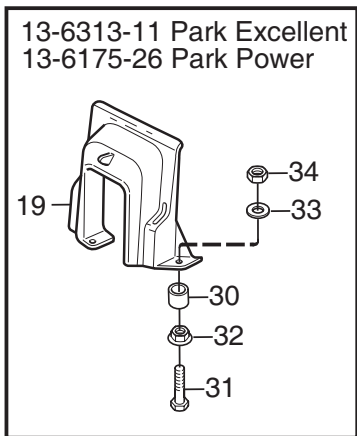
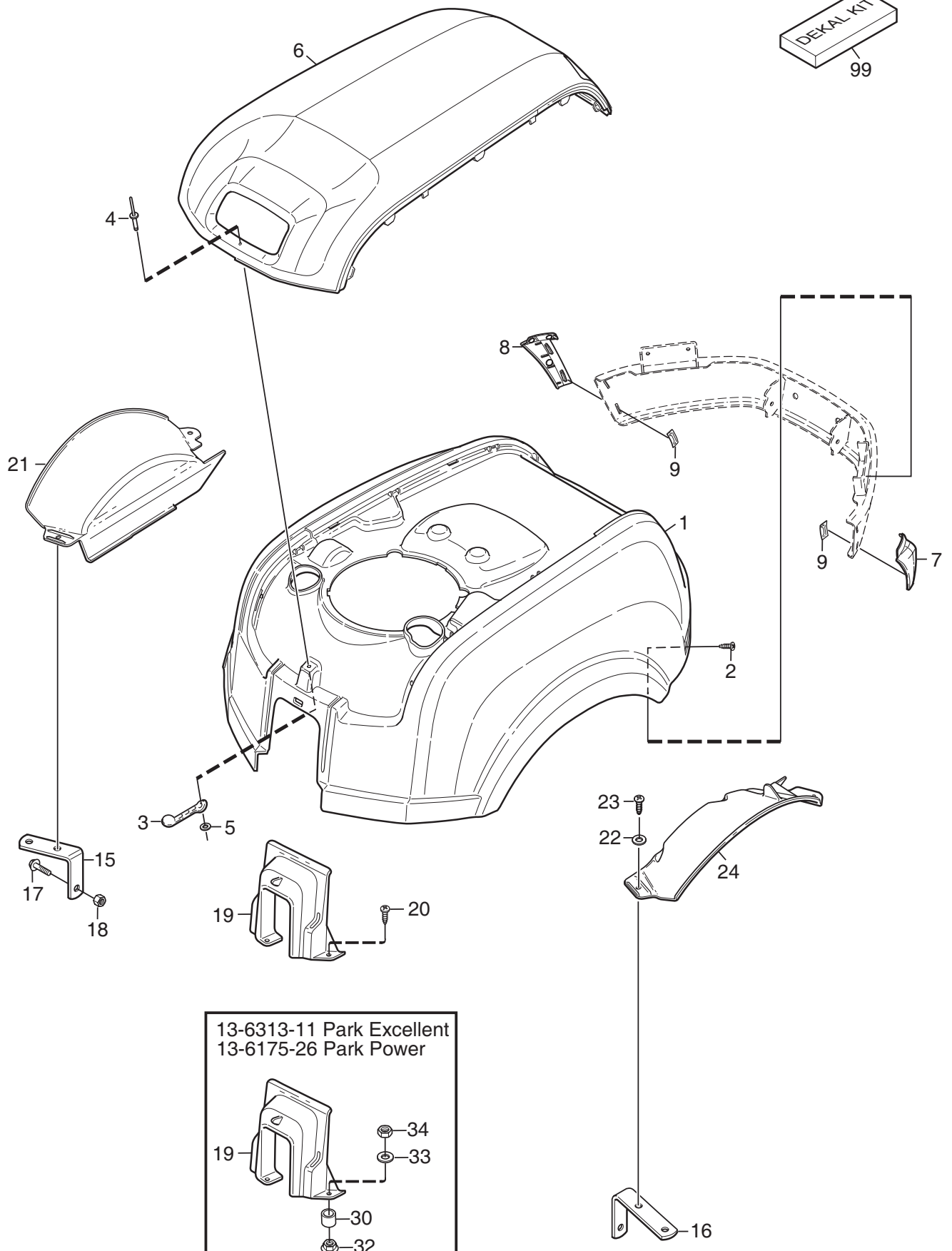
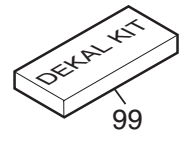
Utgåva Issue		Bildnr Picture No		PARK 2WD MONTERINGSDETALJER		PARK 2WD ASSEMBLY PARTS		Sida Page	
2011-11		2014E						64	
Pos. Fig.	Antal/Quantity				Art nr Part No	Benämning	Description	Sats Kit	Anmärkning Notes
	6311 6314 6313 6379	6311 6379 FR	6144 -75						
4	2	2	2		9595-0262-00	Spännstift	Locating pin		
5A	1	1	1		9699-0103-02	Shims	Flat washer		0.5 mm
5B	1	1	1		9699-0114-02	Shims	Flat washer		1.0 mm
10	2	2	2		1134-4734-01	Tändningsnyckel.....	Ignition key		
13	1	1	1		1134-5512-01	Dragplåt.....	Towing plate.....		
14	2	2	2		9959-0820-16	Skruv.....	Screw.....		
15	2	2	2		9739-0831-22	Mutter.....	Nut		
17	1	1	1		1134-6113-02	Batteriskruvar	Battery screws		
18	2	2	2		9898-1035-16	Skruv.....	Screw.....		
19	2	2	2		9739-1031-22	Mutter.....	Nut		
X 31	1				8211-0003-11	Bruksanvisning	Owner's manual		
X 31			1		8211-0046-01	Bruksanvisning	Owner's manual		Park Silent
X 31		1			8211-0052-10	Bruksanvisning	Owner's manual		France
X 31	1		1		8211-0604-10	Monteringsanvisning	Assy instructions		
X 31	1		1		8211-0701-10	Säkerhetsföreskrifter	Safety regulations		
X 31	1	1	1		8211-0901-10	Servicebok.....	Service book		
X 31	1	1	1		8211-0960-10	Garantikort.....	Warranty card		



Utgåva Issue 2011-11		Bildnr Picture No 2821		PARK 2WD SILENT KAROSS-FRAM		PARK 2WD SILENT BODY WORK-FRONT		Sida Page 66	
Pos. Fig.	Antal/Quantity				Art nr Part No	Benämning	Description	Sats Kit	Anmärkning Notes
	6144 -75								
7	1				1134-5308-01	Stänkskärm vä- grå.....	Mud guard LH- grey		
8	1				1134-5308-02	Stänkskärm hö- grå	Mud guard RH- grey.....		
9	4				9893-0616-16	Skruv	Screw		
10	4				1134-4176-01	Clips	Clips		
11	2				1137-0088-01	Stödplåt	Support plate		
12	6				9945-0816-16	Skruv	Screw		
13	4				9699-0056-02	Planbricka.....	Flat washer.....		
14	1				1134-5306-01	Stötfångare, front- vä.....	Bumper, front- LH		
15	1				1134-5306-02	Stötfångare, front- hö	Bumper, front- RH		
16	2				9893-0616-16	Skruv	Screw		
18	1				1134-5305-01	Front- nedre	Front plate- lower		
19	2				9893-0616-16	Skruv	Screw		
20	1				1134-5304-01	Front- övre	Front- upper		
21	2				9946-0525-16	Skruv	Screw		
23	4				9893-0616-16	Skruv	Screw		
24	1				1134-3970-05	Kantlist- vä, grå.....	Moulding- LH, grey		
25	1				1134-3970-02	Kantlist- hö, grå	Moulding- RH, grey		
26	2				9893-0616-16	Skruv	Screw		
27	2				9699-0060-02	Planbricka.....	Flat washer.....		
28	2				9747-0631-02	Låsmutter	Lock nut		
29	2				9897-0616-16	Vagnsbult	Carriage bolt		
31	1				1134-6461-01	Bakstycke	Rear plate.....		
39	1				1134-4360-01	Kåpa- inre	Cover- inner		
40	1				1134-3979-01	Kåpa- yttre	Cover- outer		
41	3				9946-0525-16	Skruv	Screw		
42	2				9840-8013-16	Skruv	Screw		
43	2				9950-0570-12	Skruv	Screw		
44	2				9747-0531-02	Mutter.....	Nut		

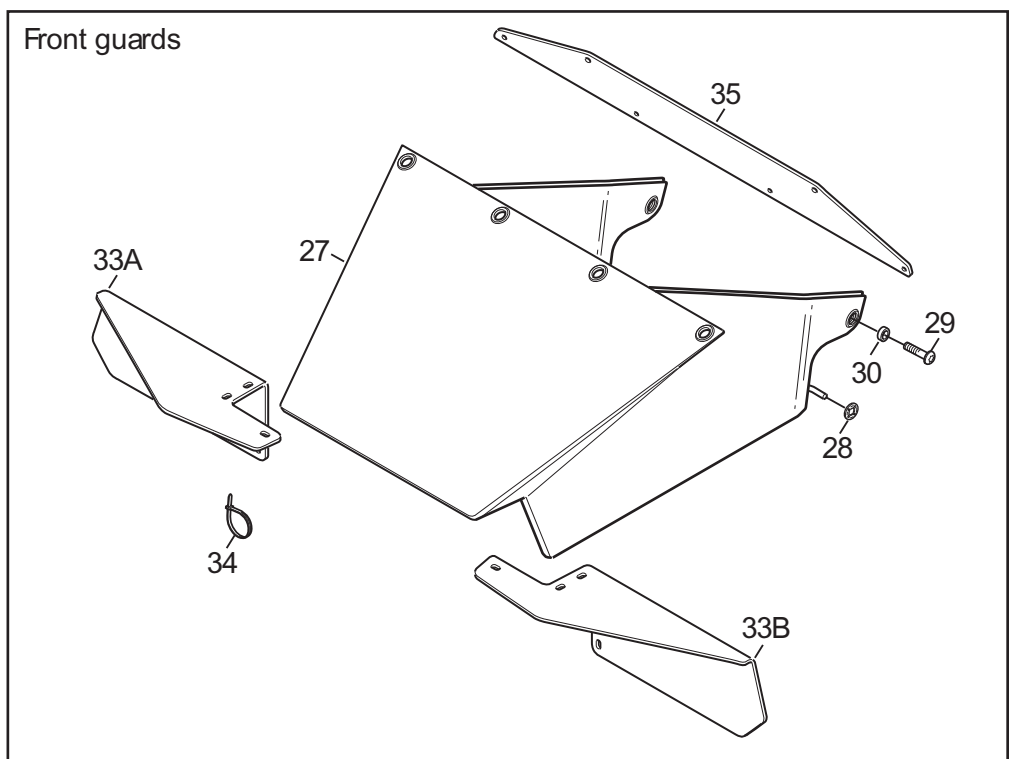
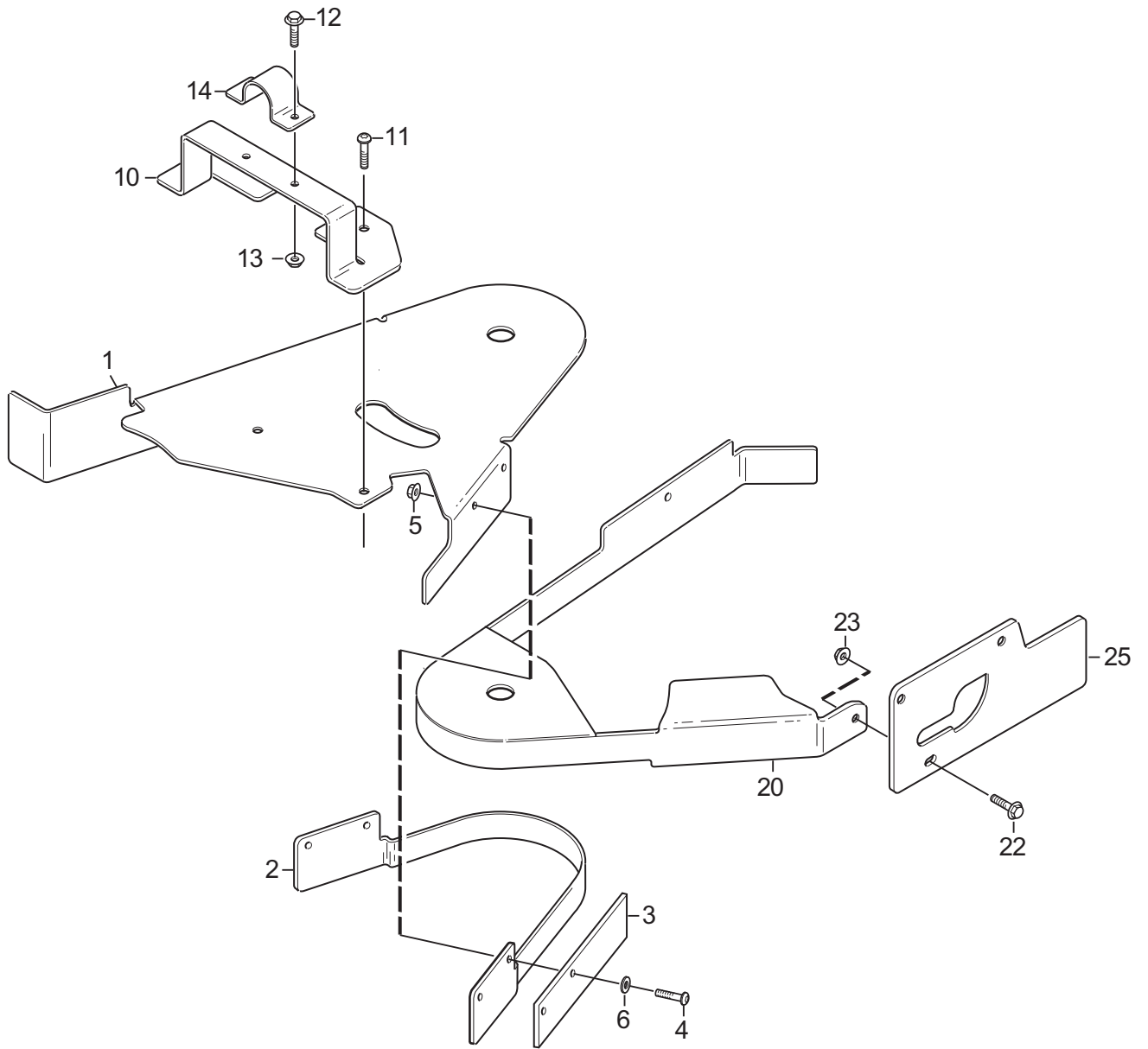


Utgåva Issue 2011-11		Bildnr Picture No 2820		PARK 2WD PLUS- EXCELLENT- RANGER KAROSS- FRAM		PARK 2WD PLUS- EXCELLENT- RANGER BODY WORK- FRONT		Sida Page 68	
Pos. Fig.	Antal/Quantity				Art nr Part No	Benämning	Description	Sats Kit	Anmärkning Notes
	6311	6314	6313	6379					
1	1				1137-0048-01	Skärm- vä, grå	Mud guard- LH, grey		
2	1				1137-0048-02	Skärm- hö, grå	Mud guard- RH, grey		
3	2				9893-0616-16	Skruv	Screw		
4	2				1134-4176-01	Clips	Clips		
5	2				9699-0060-02	Planbricka	Flat washer		
6	2				9747-0631-02	Låsmutter	Lock nut		
7	2				1137-0088-01	Stödplåt	Support plate		
8	6				9945-0816-16	Skruv	Screw		
9	4				9699-0056-02	Planbricka	Flat washer		
10	1				1137-0049-01	Stötfångare- grå	Bumper- grey		
11	6				9893-0616-16	Skruv	Screw		
12	2				1134-4176-01	Clips	Clips		
17	1				1134-4360-01	Kåpa- inre	Cover- inner		
18	1				1134-3979-01	Kåpa- yttre	Cover- outer		
19	3				9946-0525-16	Skruv	Screw		
20	2				9950-0570-12	Skruv	Screw		
21	2				9747-0531-02	Mutter	Nut		
23	4				9893-0616-16	Skruv	Screw		
25	1				1134-3970-05	Kantlist- vä, grå	Moulding- LH, grey		
26	1				1134-3970-02	Kantlist- hö, grå	Moulding- RH, grey		
27	4				9893-0616-16	Skruv	Screw		
28	2				9840-8013-16	Skruv	Screw		
29	2				9897-0616-16	Vagnsbult	Carriage bolt		
31	1				1134-6461-01	Bakstycke	Rear plate		
40	1				1137-0050-01	Frontkåpa- nedre	Front panel- lower		
41	2				9838-9516-12	Skruv	Screw		
42	1				1137-0051-01	Frontkåpa- övre	Front panel- upper		
43	2				9946-0525-16	Skruv	Screw		
44	1				1137-0052-01	Lamphållare	Lamp holder		
45	1				1137-0053-01	Toppkåpa	Top panel		
46	2				9838-9516-12	Skruv	Screw		
47	1				1137-0054-01	Lampglas	Lamp glass		

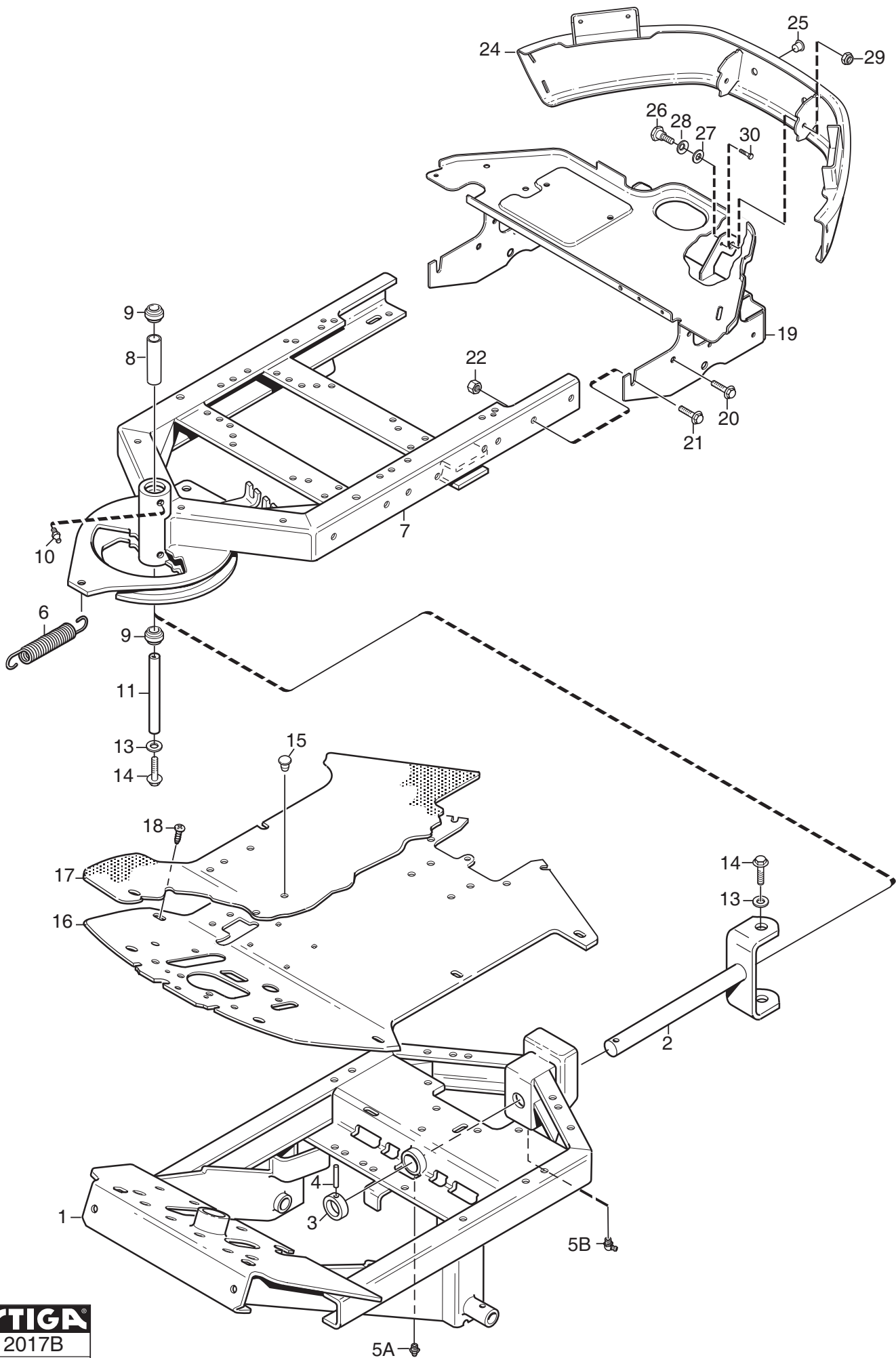


Utgåva Issue		Bildnr Picture No		PARK 2WD KAROSS- BAK		PARK 2WD BODY WORK- REAR		Sida Page	
2011- 11		2016C						70	
Pos. Fig.	Antal/Quantity				Art nr Part No	Benämning	Description	Sats Kit	Anmärkning Notes
	6311 6314 6379	6313	6144 - 75						
1	1	1	1		1134- 6025- 01	Motorhuv.....	Engine hood		
2	4	4	4		9893- 0616- 16	Skruv	Screw		
3	1	1	1		1134- 9028- 01	Gummistropp- sats	Rubber strap kit		Sats 3 st/kit of 3
4	1	1	1		9632- 0513- 00	Popnit	Pop rivet		
5	1	1	1		9699- 0120- 02	Bricka	Washer		
6	1	1	1		1134- 6026- 01	Motorlucka	Engine cover		
7	1	1	1		1134- 6027- 01	Ändavslut- vä	Bumper end- LH		
8	1	1	1		1134- 6027- 02	Ändavslut- hö	Bumper end- RH		
9	4	4	4		1134- 6310- 01	Clips	Clips		
15	1	1	1		1134- 4012- 03	Stödkonsol- hö	Support- RH		
16	1	1	1		1134- 4012- 04	Stödkonsol- vä	Support- LH		
17	1	1	1		9959- 0820- 16	Skruv	Screw		
18	1	1	1		9739- 0831- 22	Mutter	Nut		
19	1	1	1		1134- 6241- 01	Huvstöd	Hood support		
20	3	3	3		9893- 0616- 16	Skruv	Screw		
21	1	1	1		1134- 4800- 01	Innerskärm- hö	Inner mud guard- RH		
22	4	4	4		9699- 0060- 02	Planbricka	Flat washer		
23	4	4	4		9893- 0616- 16	Skruv	Screw		
24	1	1	1		1134- 4801- 01	Innerskärm- vä	Inner mud guard- LH		
30		3			1137- 0020- 01	Distans	Spacer		
31		3			9997- 0535- 16	Skruv	Screw		
32		3			9739- 0531- 22	Mutter	Nut		
33		3			9699- 0099- 02	Bricka	Washer		
34		3			9747- 0531- 02	Mutter	Nut		
99		1			1134- 6443- 04	Dekalsats	Decal kit		Excellent
99	1				1134- 6443- 09	Dekalsats	Decal kit		Ranger
99	1				1134- 6443- 10	Dekalsats	Decal kit		Plus

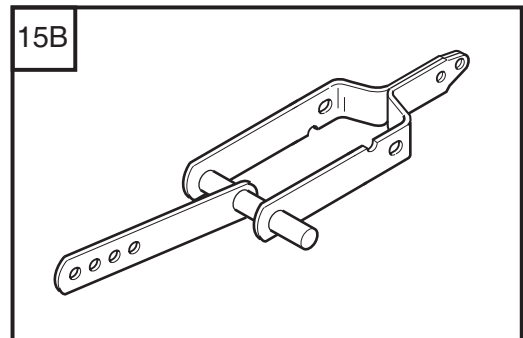
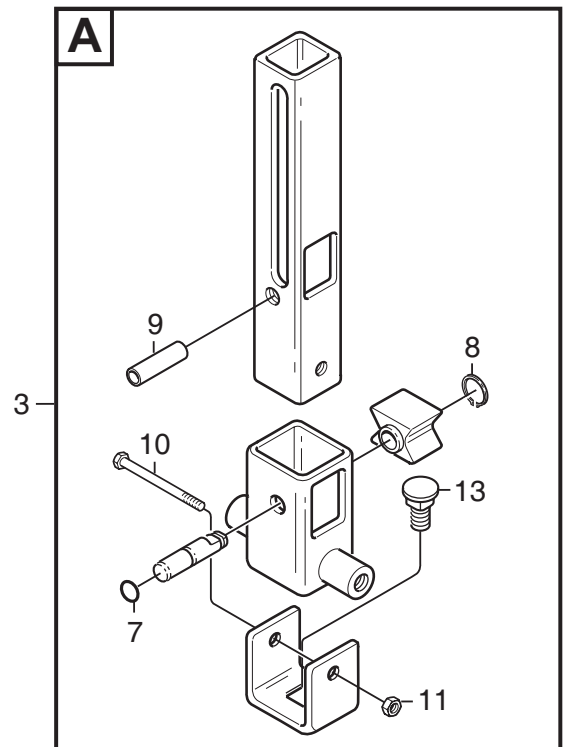
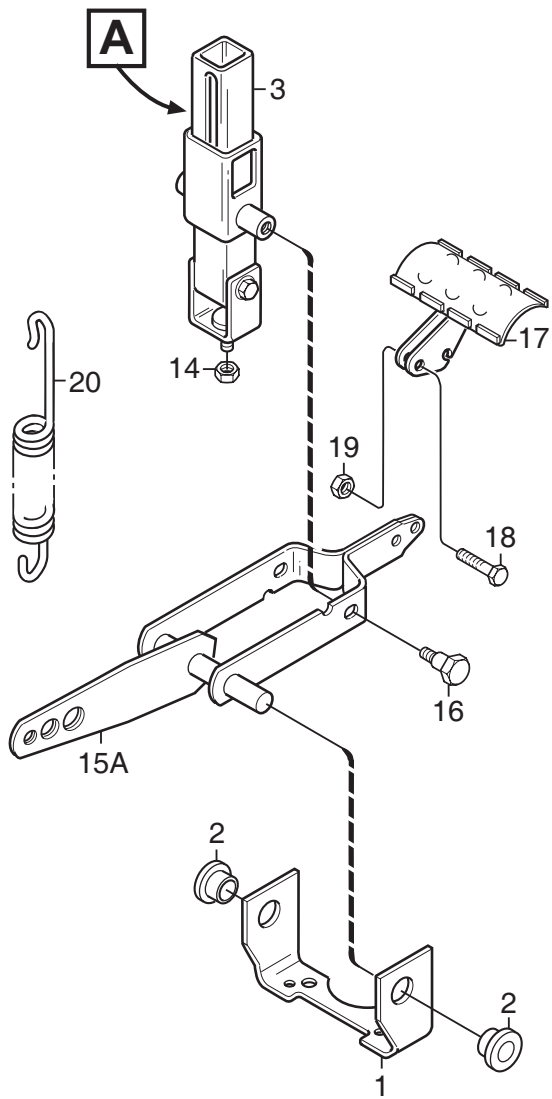
X



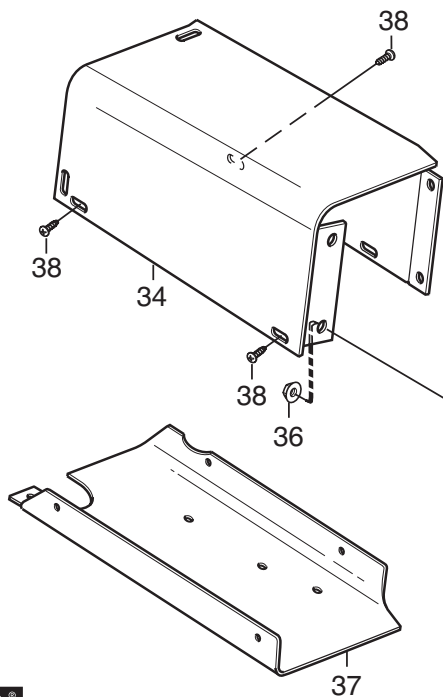
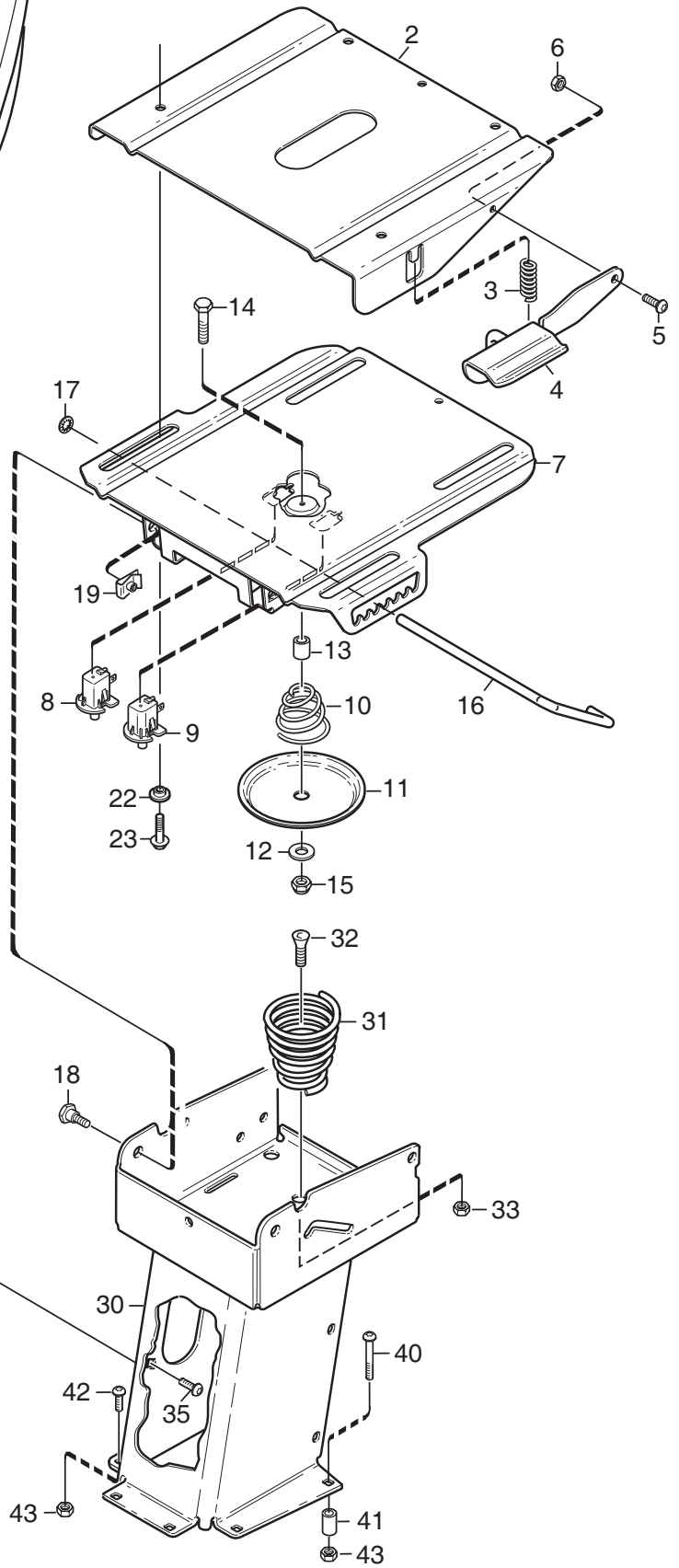
Utgåva Issue 2011- 11		Bildnr Picture No 2822		PARK 2WD KAROSS (Frankrike)		PARK 2WD BODY WORK (France)		Sida Page 72	
Pos. Fig.	Antal/Quantity				Art nr Part No	Benämning	Description	Sats Kit	Anmärkning Notes
	6311 6379 FR								
X	1	1			1137-0352-01	Skydd	Protection		
X	2	1			1137-0354-01	Skydd	Protection		
X	3	2			1137-0355-01	Gummiduk.....	Rubber sheet.....		
	4	4			9893-0616-16	Skruv.....	Screw.....		
	5	4			9739-0631-22	Mutter.....	Nut.....		
	6	4			9699-0025-02	Planbricka.....	Washer.....		
X	10	1			1137-0413-01	Bygel	Loop.....		
	11	2			9893-0616-16	Skruv.....	Screw.....		
	12	2			9959-0620-16	Skruv.....	Screw.....		
	13	2			9739-0631-22	Mutter.....	Nut.....		
X	14	1			1137-0357-01	Överfall.....	Clamp.....		
X	20	1			1137-0391-01	Skydd	Protection		
	21	1			9893-0616-16	Skruv.....	Screw.....		
	22	1			9959-0620-16	Skruv.....	Screw.....		
	23	1			9739-0631-22	Mutter.....	Nut.....		
X	25	1			1137-0393-01	Skyddsplåt.....	Protection plate.....		
X	27	1			1137-0363-01	Skydd	Protection		
	28	2			9675-0009-02	Starlock.....	Starlock		
	29	6			9893-0616-16	Skruv.....	Screw.....		
	30	6			1134-5114-01	Distans	Spacer.....		
X	33A	1			1137-0366-01	Skydd- hö	Protection- RH		
X	33B	1			1137-0366-02	Skydd- vä.....	Protection- LH.....		
	34	8			9579-0003-00	Buntband	Cable holder.....		
X	35	1			1137-0414-01	Fäste.....	Bracket.....		



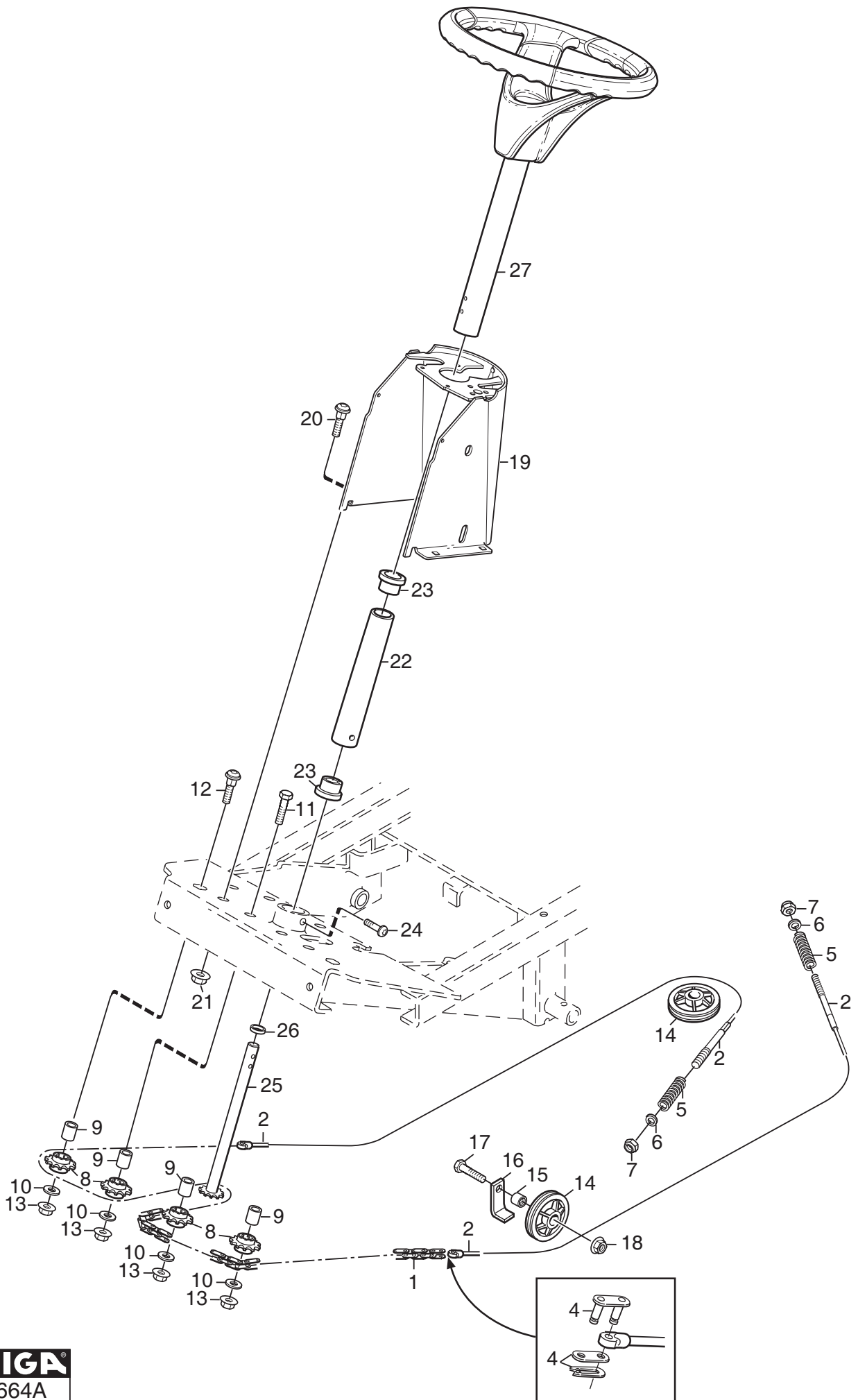
Utgåva Issue		Bildnr Picture No		PARK 2WD RAM		PARK 2WD FRAME		Sida Page	
2011- 11		2017B						74	
Pos. Fig.	Antal/Quantity				Art nr Part No	Benämning	Description	Sats Kit	Anmärkning Notes
	6311 6314 6313 6379	6144 - 75	6311 6379 FR						
X	1	1	1		1137-0182-01	Ram- främre	Frame- front		France Rak/straight 90°
X	1			1	1137-0388-01	Ram- främre	Frame- front		
	2	1	1	1	1134-3963-02	• Midjegaffel	• Clevis		
	3	1	1	1	1134-0031-00	• Ledaxelstopp	• Pivot shaft stop		
	4	1	1	1	9595-0262-00	• Spännstift	• Locating pin		
	5A	1	1	1	9501-0500-00	• Smörjnippel	• Grease joint		
	5B	1	1	1	9501-0504-01	• Smörjnippel	• Grease joint		
	6	1	1	1	1134-2171-01	Fjäder	Spring		
	7	1	1	1	1134-6466-01	Ram- bakre	Frame- rear		
	8	1	1	1	1134-5705-01	• Distans	• Spacer		
	9	2	2	2	9547-0001-00	• Ledlager	• Bearing		
	10	2	2	2	9501-0500-00	• Smörjnippel	• Grease joint		
	11	1	1	1	1134-5988-01	Centrumaxel	Centre shaft		
	13	2	2	2	9699-0035-02	Planbricka	Flat washer		
	14	2	2	2	9959-1025-16	Skruv	Screw		
	15	2	2	2	9403-0048-70	Täckpropp	Plug		
	16	1	1	1	1134-6586-01	Durk	Floor plate		
	17	1	1	1	1134-6372-04	Durkmatta	Floor mat		
	18	2	2	2	9893-0616-16	Skruv	Screw		
	19	1	1	1	1134-5944-01	Tankhylla	Tank shelf		
	20	2	2	2	9945-0816-16	Skruv	Screw		
	21	2	2	2	9959-0820-16	Skruv	Screw		
	22	2	2	2	9739-0831-22	Mutter	Nut		
	24	1	1	1	1134-5676-01	Stötfångare	Bumper		
	25	2	2	2	1134-4100-01	Täckpropp	Plug		
	26	2	2	2	1134-0240-00	Ansätsskruv	Shoulder screw		
	27	2	2	2	1134-4242-01	Distansbricka	Spacer washer		
	28	2	2	2	9665-0002-00	Brickfjäder	Bowed washer		
	29	2	2	2	9747-0831-02	Mutter	Lock nut		
	30	2	2	2	9943-0516-16	Skruv	Screw		

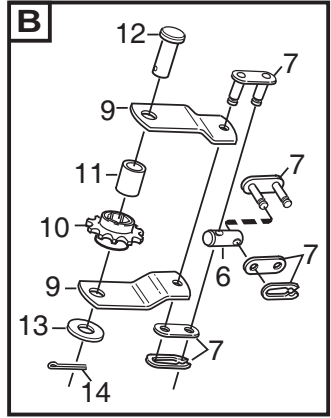
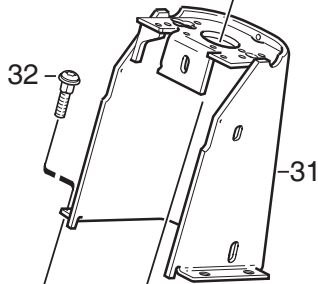
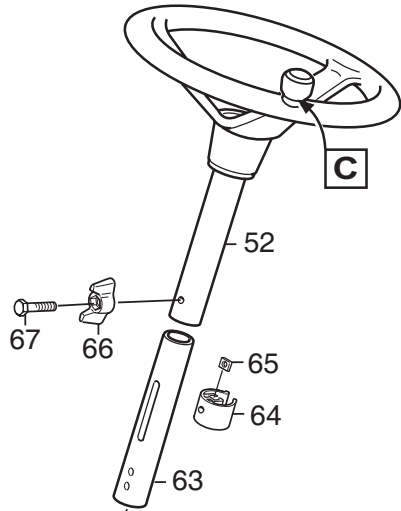
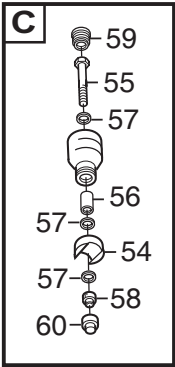


Utgåva Issue		Bildnr Picture No		PARK 2WD PEDALLYFT		PARK 2WD PEDAL LIFT		Sida Page	
2011-11		1023E						76	
Pos. Fig.	Antal/Quantity				Art nr Part No	Benämning	Description	Sats Kit	Anmärkning Notes
	6311 6314 6313 6379	6144 -75							
1	1	1			1134-4117-01 Fäste	Bracket			
2	2	2			1134-2684-01 Lager	Bearing			
3	1	1			1134-4945-01 Lyftspärr kpl	Lift catch assy			
7	1	1			9404-0027-01 • O-ring	• O-ring			
8	1	1			9650-0039-04 • Seegersäkring	• Lock ring			
9	1	1			9595-0276-01 • Spännstift	• Locating pin			
10	1	1			9997-0640-12 • Skruv	• Screw			
11	1	1			9747-0631-02 • Låsmutter	• Lock nut			
13	1	1			9897-0820-16 • Skruv	• Screw			
14	1	1			9747-0831-02 Mutter	Lock nut			
15A	1				1137-0109-01 Lyftarm	Lift arm			
15B		1			1134-4860-01 Lyftgaffel	Lift fork			
16	2	2			1134-0240-00 Ansattsskruv	Shoulder screw			
17	1	1			1134-4938-01 Lyftpedal	Lift pedal			
18	2	2			9997-0625-16 Skruv	Screw			
19	2	2			9739-0631-22 Mutter	Nut			
20	1	1			4231-0013-00 Fjäder	Spring			

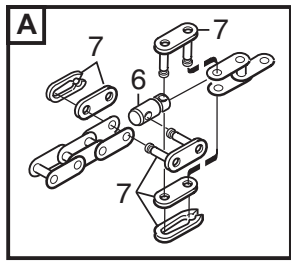
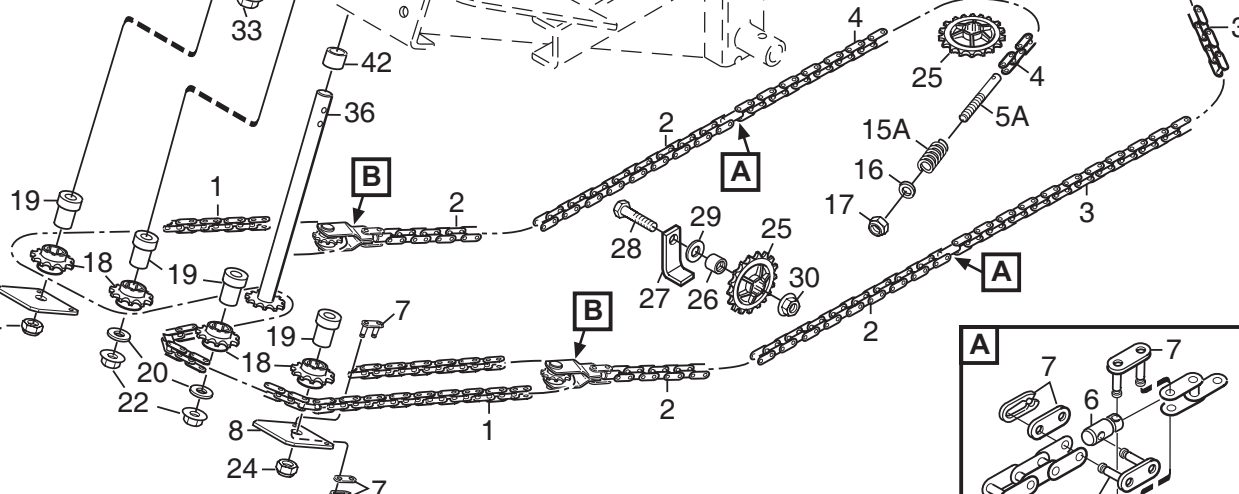
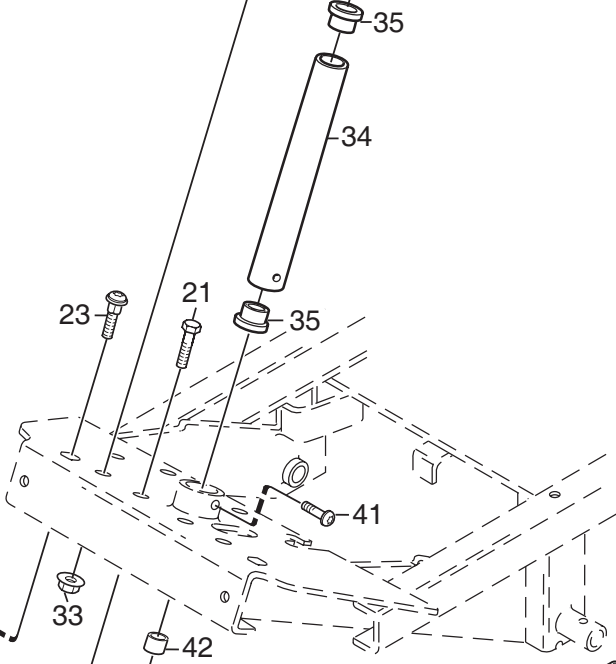


Utgåva Issue		Bildnr Picture No		PARK 2WD SITS		PARK 2WD SEAT		Sida Page	
2011- 11		2019B						78	
Pos. Fig.	Antal/Quantity			Art nr Part No	Benämning	Description	Sats Kit	Anmärkning Notes	
	6311 6314 6313 6379	6144 - 75							
1	1	1		1134-6444-01	Sits	Seat			
2	1	1		1134-6090-01	Glidplatta	Slide plate			
3	1	1		1134-3262-01	Tryckfjäder	Compression spring			
4	1	1		1134-6073-01	Handtag	Handle			
5	1	1		9893-0616-16	Skruv	Screw			
6	1	1		9747-0631-02	Låsmutter	Lock nut			
7	1	1		1134-6068-01	Glidplatta- undre	Slide plate-lower			
8	1	1		1134-3156-01	Brytare (svart)	Switch (black)			
9	1	1		1134-3156-02	Brytare (grå)	Switch (grey)			
10	1	1		1134-5302-01	Fjäder	Spring			
11	1	1		1134-5299-01	Tryckplatta	Push plate			
12	1	1		9699-0090-02	Planbricka	Flat washer			
13	1	1		1134-1565-06	Distans	Spacer			
14	1	1		9997-0840-12	Skruv	Screw			
15	1	1		9747-0831-02	Mutter	Lock nut			
16	1	1		1134-5179-01	Spärr	Catch			
17	1	1		9675-0012-02	Starlock	Locking washer			
18	2	2		1134-0240-00	Ansatsskruv	Shoulder screw			
19	2	2		1134-4620-02	Fjädermutter	Spring nut			
22	4	4		1134-6078-01	Ansatsbricka	Flange washer			
23	4	4		9959-0820-16	Skruv	Screw			
30	1	1		1134-5698-01	Sitskonsol	Seat bracket			
31	1	1		1134-4256-01	Sitsfjäder	Seat spring			
32	1	1		9924-1235-19	Skruv	Screw			
33	1	1		9747-1231-02	Låsmutter	Lock nut			
34	1	1		1134-3990-01	Armsvep	Attachment-side panel			
35	2	2		9897-0820-16	Skruv	Screw			
36	2	2		9739-0831-22	Mutter	Nut			
37	1	1		1134-4130-01	Lock- undre	Cover-lower			
38	4	4		9840-8013-16	Skruv	Screw			
40	2	2		9897-0880-12	Skruv	Screw			
41	2	2		1134-1565-08	Distans	Spacer			
42	4	4		9897-0820-16	Skruv	Screw			
43	6	6		9747-0831-02	Mutter	Lock nut			

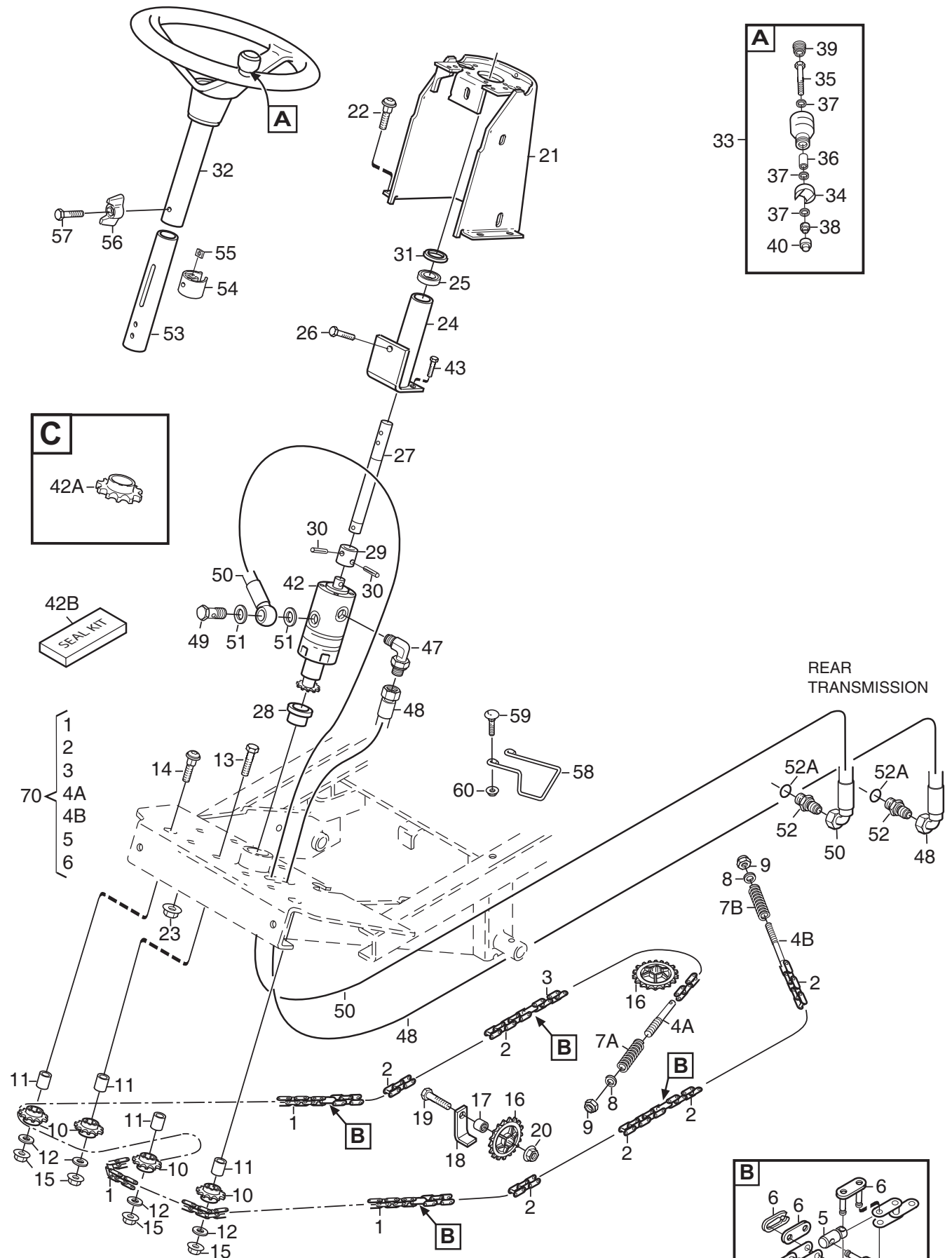




- 1
- 2
- 3
- 4
- 5A
- 5B
- 6
- 7
- 8
- 9
- 10
- 11
- 12
- 13
- 14

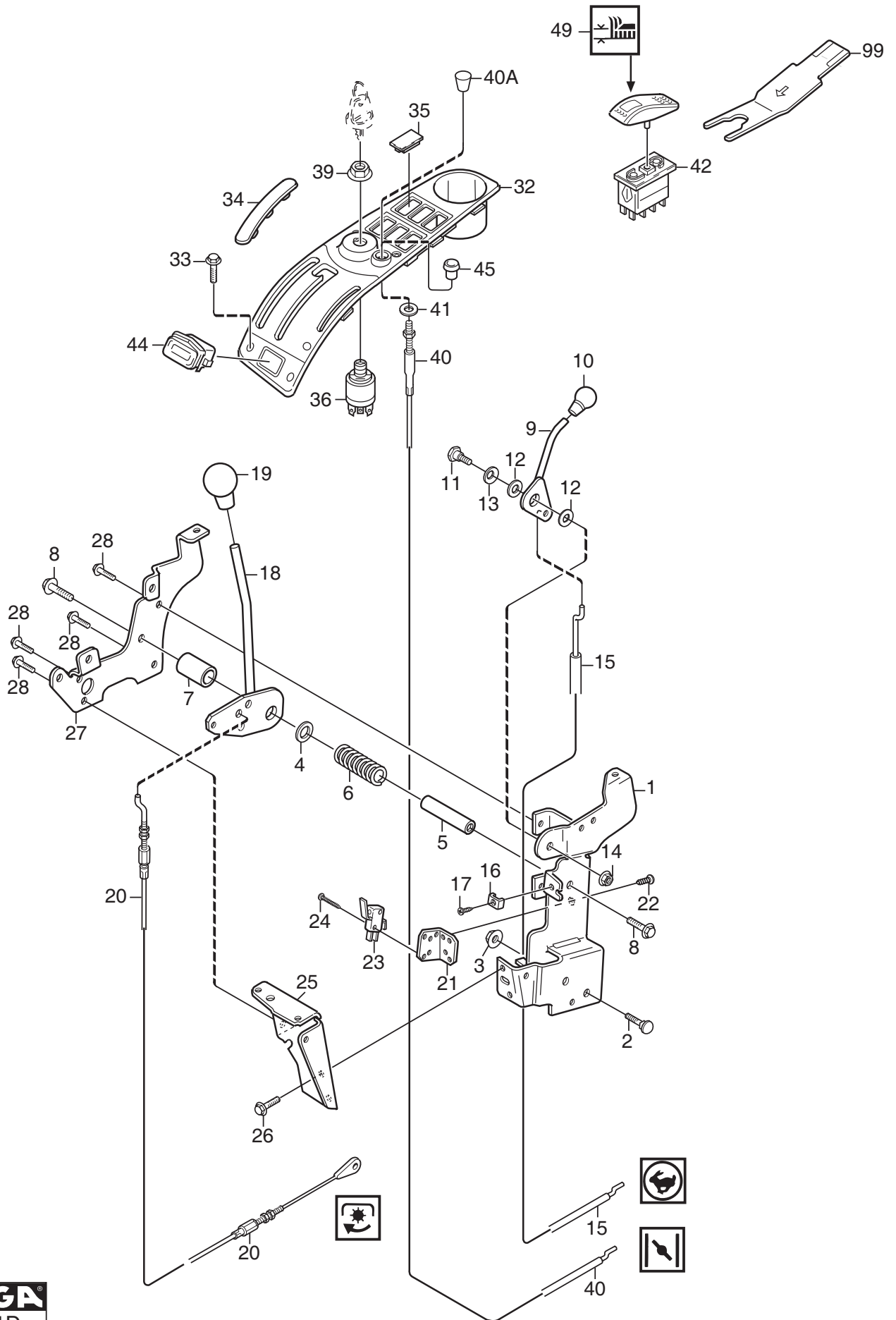


Utgåva Issue		Bildnr Picture No		PARK 2WD PLUS- EXCELLENT STYRNING		PARK 2WD PLUS- EXCELLENT STEERING		Sida Page	
2011- 11		1787E						82	
Pos. Fig.	Antal/Quantity				Art nr Part No	Benämning	Description	Sats Kit	Anmärkning Notes
	6311	6314	6313						
1	1				1134- 6374- 10	• Kedja.....	• Chain.....		129 länk
2	2				1134- 6374- 09	• Kedja.....	• Chain.....		35 länk
3	1				1134- 6374- 02	• Kedja.....	• Chain.....		41 länk
4	1				1134- 6374- 05	• Kedja.....	• Chain.....		47 länk
5A	1				1134- 3550- 01	• Ändnippel.....	• End nipple.....		L = 110 mm
5B	1				1134- 3550- 02	• Ändnippel.....	• End nipple.....		L = 90 mm
6	4				1134- 3565- 01	• Skarvnippel.....	• Connection nipple.....		
7	12				1134- 2824- 02	• Kedjelås.....	• Chain lock.....		
8	2				1134- 5652- 01	• Fäste.....	• Attachment.....		
9	4				1134- 5651- 01	• Bygel.....	• Bracket.....		
10	2				1134- 2816- 01	• Kedjehjul.....	• Sprocket.....		
11	2				1134- 0041- 02	• Linhjulshylsa.....	• Idler wheel bush.....		
12	2				1134- 4817- 01	• Kolvstångssprint.....	• Pin.....		
13	2				9699- 0035- 02	• Planbricka.....	• Flat washer.....		
14	2				9599- 0054- 02	• Saxpinne.....	• Cotter pin.....		
15A	1				1134- 3817- 01	Tryckfjäder.....	Compression spring.....		L = 58 mm
15B	1				1134- 3817- 02	Tryckfjäder.....	Compression spring.....		L = 33 mm
16	2				9699- 0090- 02	Planbricka.....	Flat washer.....		
17	2				9747- 0831- 02	Mutter.....	Lock nut.....		
18	4				1134- 2816- 01	Kedjehjul.....	Sprocket.....		
19	4				1134- 5653- 01	Distans.....	Spacer.....		
20	2				9699- 0035- 02	Planbricka.....	Flat washer.....		
21	2				9997- 1060- 12	Skruv.....	Screw.....		
22	2				9739- 1031- 22	Mutter.....	Nut.....		
23	2				9897- 1060- 12	Skruv.....	Screw.....		
24	2				9731- 1031- 22	Mutter.....	Nut.....		
25	3				1134- 3547- 01	Kedjehjul.....	Sprocket.....		
26	2				1134- 0041- 01	Linhjulshylsa.....	Bushing.....		
27	2				1134- 0046- 00	Linhållare.....	Wire clamp.....		
28	2				9997- 1040- 16	Skruv.....	Screw.....		
29	2				9699- 0035- 02	Planbricka.....	Flat washer.....		
30	2				9739- 1031- 22	Mutter.....	Nut.....		
31	1				1137- 0066- 01	Styrkonsol.....	Steering bracket.....		
32	4				9897- 0820- 16	Skruv.....	Screw.....		
33	4				9739- 0831- 22	Mutter.....	Nut.....		
34	1				1134- 1305- 03	Rattrör- nedre.....	Steering column- lower.....		
35	2				1134- 1901- 01	Lager.....	Bearing.....		
36	1				1137- 0120- 02	Rattstång.....	Steering rod.....		
41	2				9893- 0616- 16	Skruv.....	Screw.....		
42	1				1134- 2837- 03	Distans.....	Spacer.....		
52	1				1134- 5173- 02	Ratt kpl.....	Steering wheel assy.....		
53	1				1134- 3769- 01	• Styrknopp kpl.....	• Steering wheel button.....		
54	1				1134- 3752- 01	• Knoppfäste.....	• Knob holder.....		
55	1				9997- 0870- 16	• Skruv.....	• Screw.....		
56	1				1134- 1565- 06	• Distans.....	• Spacer.....		
57	3				9699- 0090- 02	• Planbricka.....	• Flat washer.....		
58	1				9747- 0831- 02	• Mutter.....	• Lock nut.....		
59	1				9403- 0043- 70	• Plugg.....	• Plug.....		
60	1				9403- 0113- 00	• Mutterhatt.....	• Nut cap.....		
63	1				1137- 0070- 01	Rattrör- inre kpl.....	Steering tube- inner.....		
64	1				1134- 5177- 01	• Slid.....	• Slide.....		
65	1				9710- 0631- 12	• Fyrkantmutter.....	• Square nut.....		
66	1				1134- 4481- 02	Vingmutter.....	Wing nut.....		
67	1				9997- 0630- 12	Skruv.....	Screw.....		
X 70	1				1134- 6380- 03	Styrkedja kpl.....	Steering chain assy.....		Inkl. pos 1 - 14

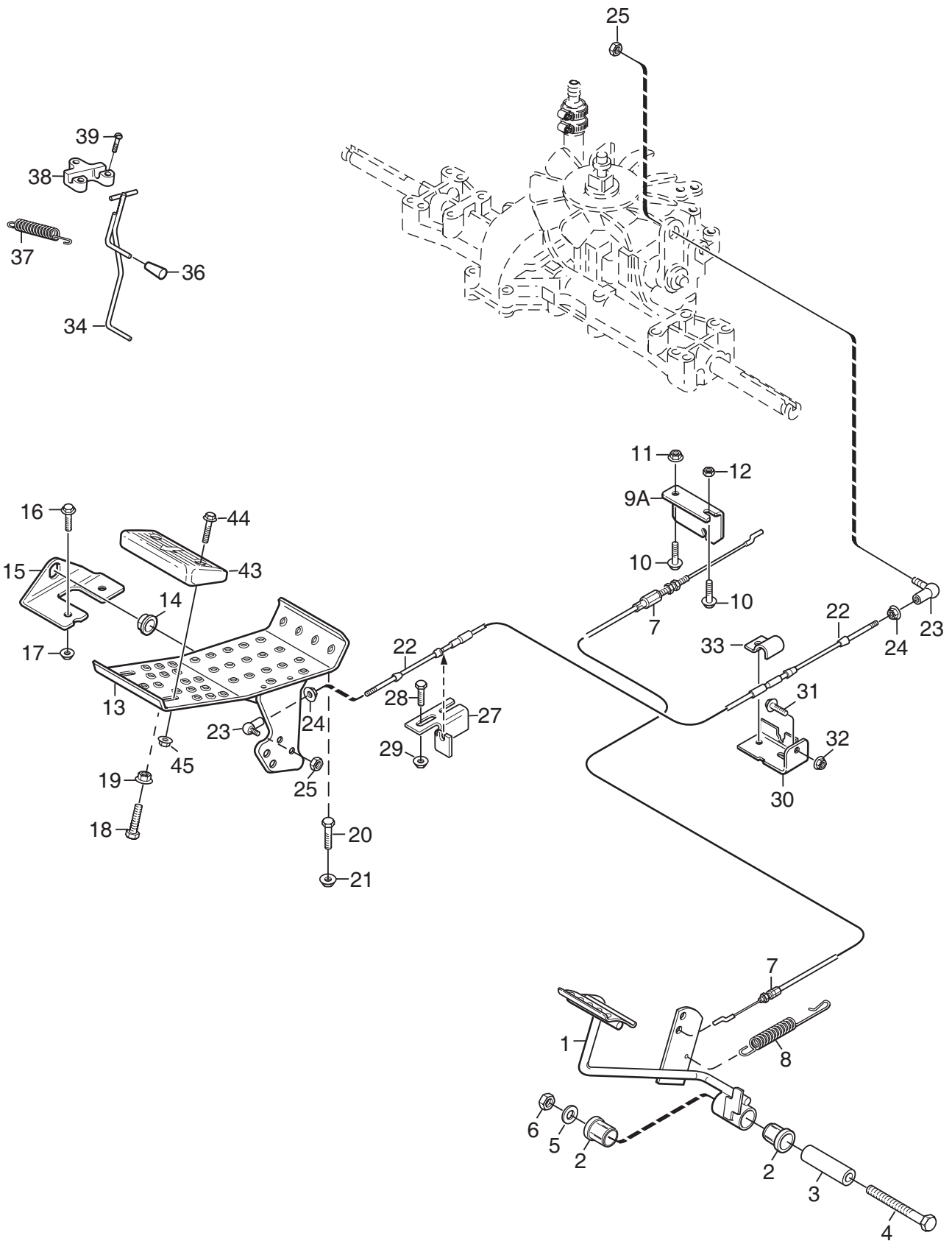


REAR TRANSMISSION

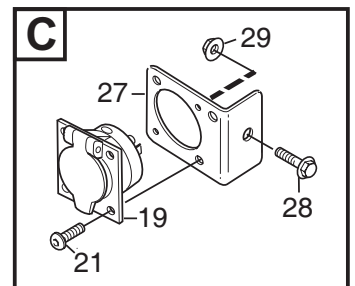
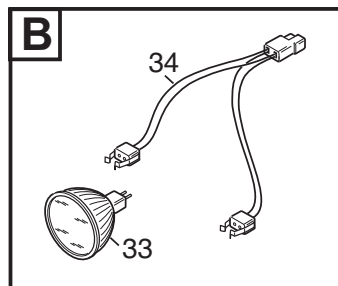
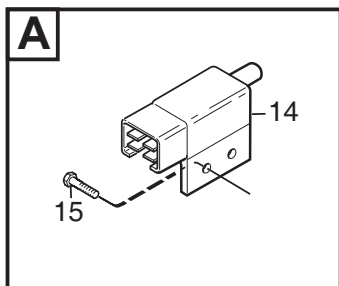
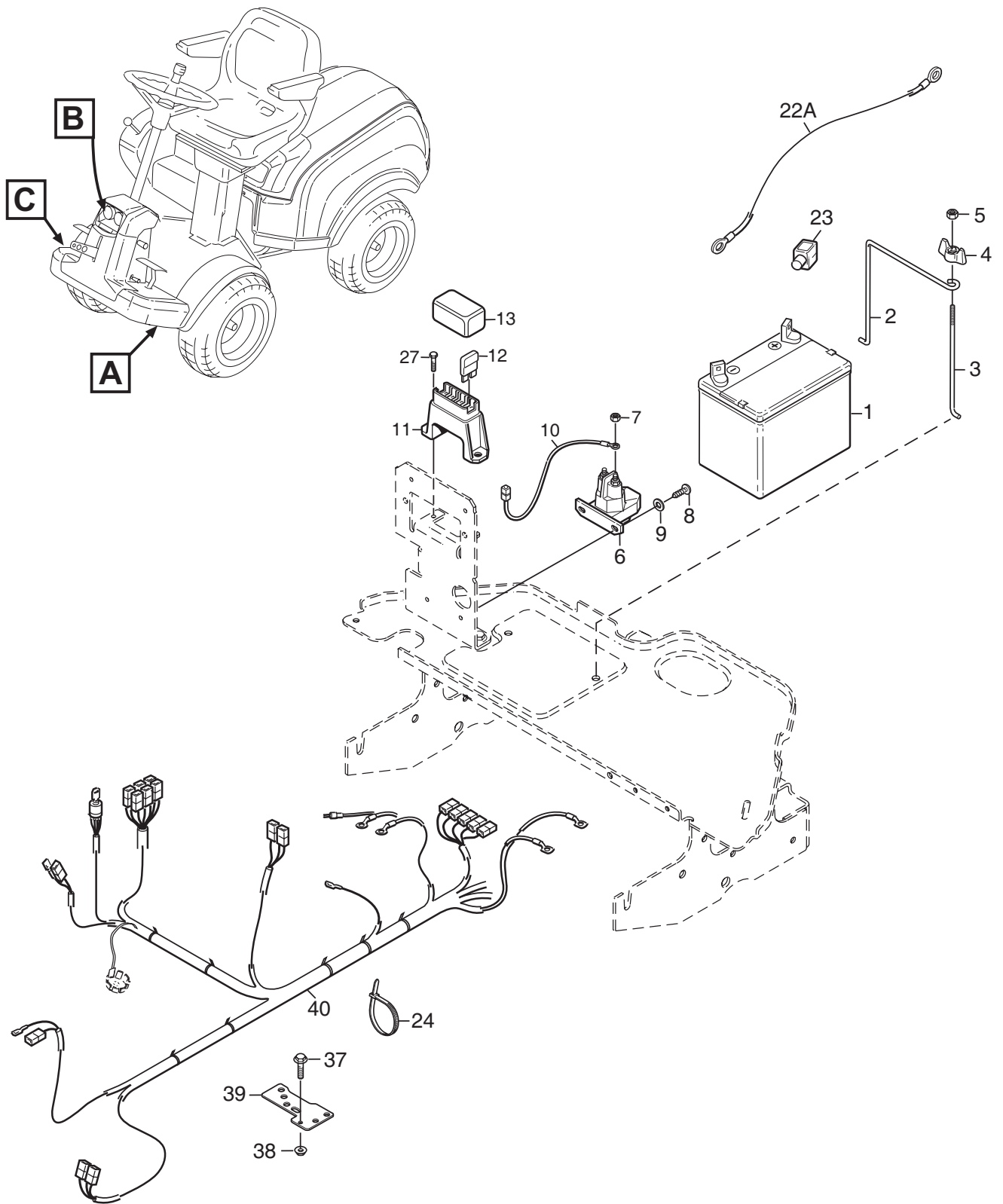
Utgåva Issue		Bildnr Picture No		PARK 2WD RANGER STYRNING		PARK 2WD RANGER STEERING		Sida Page	
2011- 11		2408C						84	
Pos. Fig.	Antal/Quantity				Art nr Part No	Benämning	Description	Sats Kit	Anmärkning Notes
	6379								
1	1				1134-6374-06	• Kedja.....	• Chain.....		83 länk
2	3				1134-6374-02	• Kedja.....	• Chain.....		41 länk
3	1				1134-6374-04	• Kedja.....	• Chain.....		45 länk
4A	1				1134-3550-01	• Ändnippel.....	• End nipple.....		L = 110 mm
4B	1				1134-3550-02	• Ändnippel.....	• End nipple.....		L = 90 mm
5	4				1134-3565-01	• Skarvnippel.....	• Connection nipple.....		
6	10				1134-2824-02	• Kedjelås.....	• Chain lock.....		
7A	1				1134-3817-01	Tryckfjäder.....	Compression spring.....		L = 58 mm
7B	1				1134-3817-02	Tryckfjäder.....	Compression spring.....		L = 33 mm
8	2				9699-0090-02	Planbricka.....	Flat washer.....		
9	2				9747-0831-02	Mutter.....	Lock nut.....		
10	4				1134-2816-01	Kedjehjul.....	Sprocket.....		
11	4				1134-0041-02	Linhjulshylsa.....	Idler wheel bush.....		
12	4				9699-0035-02	Planbricka.....	Flat washer.....		
13	2				9997-1050-16	Skruv.....	Screw.....		
14	2				9897-1040-12	Skruv.....	Screw.....		
15	4				9739-1031-22	Mutter.....	Nut.....		
16	3				1134-3547-01	Kedjehjul.....	Sprocket.....		
17	2				1134-0041-01	Linhjulshylsa.....	Bushing.....		
18	2				1134-0046-00	Linhållare.....	Wire clamp.....		
19	2				9997-1030-16	Skruv.....	Screw.....		
20	2				9739-1031-22	Mutter.....	Nut.....		
21	1				1137-0066-01	Styrkonsol.....	Steering bracket.....		
22	4				9897-0820-16	Skruv.....	Screw.....		
23	4				9739-0831-22	Mutter.....	Nut.....		
24	1				1137-0044-01	Rattrör- nedre.....	Steering tube- lower.....		
25	1				9549-0017-00	Kullager.....	Ball bearing.....		
26	1				9945-0816-16	Skruv.....	Screw.....		
27	1				1137-0045-01	Rattstång.....	Steering rod.....		
28	1				1134-4114-01	Bussning.....	Bushing.....		
29	1				1134-4118-01	Koppling.....	Coupling.....		
30	2				9595-0256-01	Spännstift.....	Pin.....		
31	1				9695-0011-00	Bricka.....	Washer.....		
32	1				1134-5173-02	Ratt kpl.....	Steering wheel assy.....		
33	1				1134-3769-01	• Styrknopp kpl.....	• Steering wheel button.....		
34	1				1134-3752-01	• Knoppfäste.....	• Knob holder.....		
35	1				9997-0870-16	• Skruv.....	• Screw.....		
36	1				1134-1565-06	• Distans.....	• Spacer.....		
37	3				9699-0090-02	• Planbricka.....	• Flat washer.....		
38	1				9747-0831-02	• Mutter.....	• Lock nut.....		
39	1				9403-0043-70	• Plugg.....	• Plug.....		
40	1				9403-0113-00	• Mutterhatt.....	• Nut cap.....		
42	1				1134-6420-01	Momentförstärkare.....	Steering booster.....		Inkl. pos 42A
X 42A	1				1139-2106-01	• Drev.....	• Pinion.....		
42B	1				1139-2074-01	Reparationssats.....	Seal kit.....		
43	3				9939-0612-16	Skruv.....	Screw.....		
47	1				1134-7073-01	Vinkeladapter.....	Hydraulic coupling.....		
X 48	1				1137-0195-02	Hydraulslang.....	Hydraulic tube.....		L = 1740 mm
49	1				1134-6323-01	Banjobult.....	Banjo bolt.....		
X 50	1				1137-0214-03	Hydraulslang.....	Hydraulic tube.....		L = 2050 mm
51	2				1134-4948-02	Tredobricka.....	Tredo washer.....		
52	2				1134-4282-01	Hydraulnippel.....	Hydraulic nipple.....		
52A	1				9404-0028-01	• O-ring.....	• O-ring.....		
53	1				1137-0070-01	Rattrör- inre kpl.....	Steering tube- inner.....		
54	1				1134-5177-01	• Slid.....	• Slide.....		
55	1				9710-0631-12	• Fyrkantmutter.....	• Square nut.....		
56	1				1134-4481-02	Vingmutter.....	Wing nut.....		
57	1				9997-0630-12	Skruv.....	Screw.....		
58	1				1137-0112-01	Bygel.....	Guide.....		
59	2				9897-0616-16	Vagnsbult.....	Carriage bolt.....		
60	2				9739-0631-22	Mutter.....	Nut.....		
X 70	1				1134-6379-02	Styrkedja kpl.....	Steering chain assy.....		Inkl. pos 1 - 6



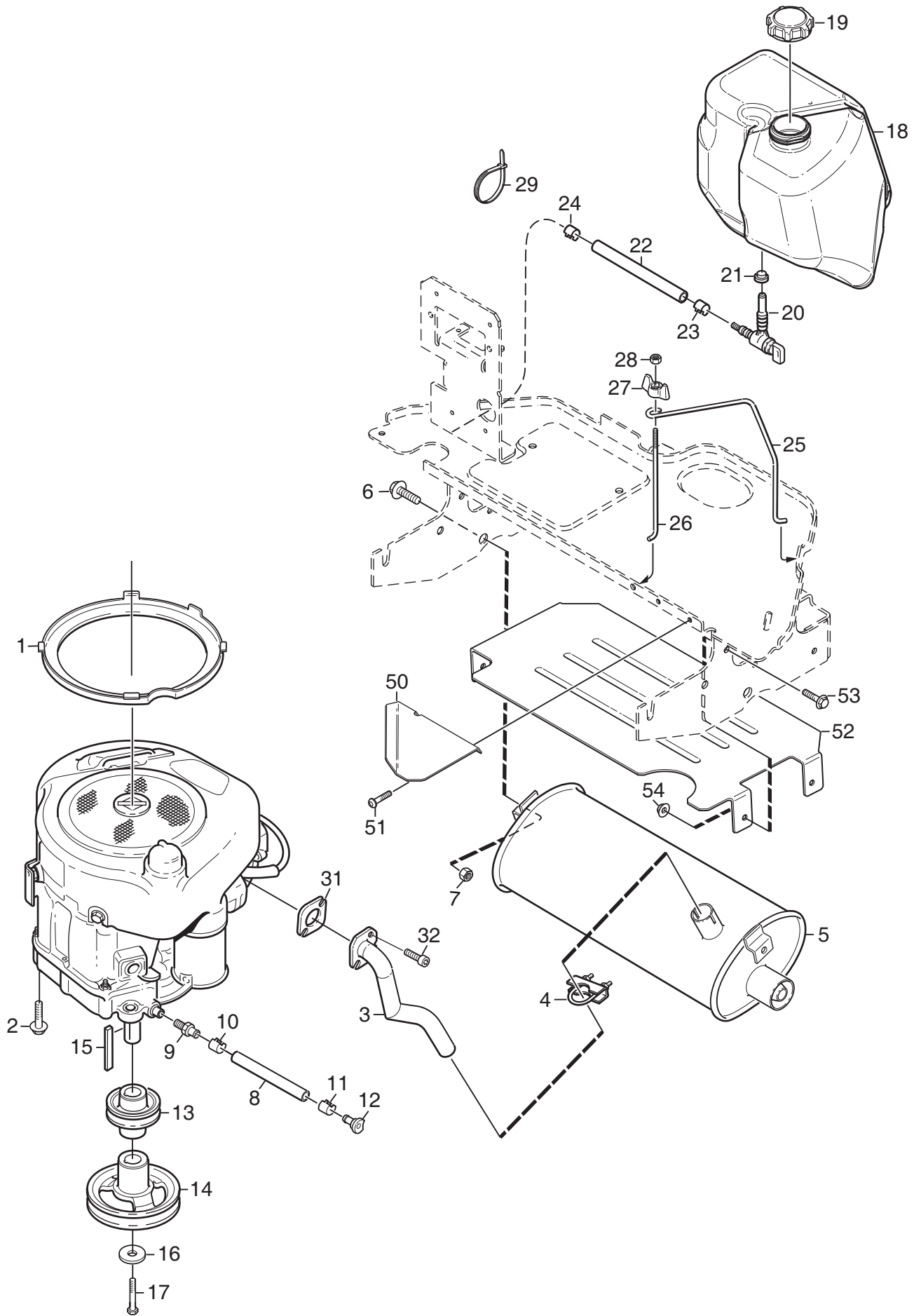
Utgåva Issue		Bildnr Picture No		PARK 2WD HANDREGLAGE		PARK 2WD HAND CONTROLS		Sida Page	
2011- 11		1991D						86	
Pos. Fig.	Antal/Quantity			Art nr Part No	Benämning	Description	Sats Kit	Anmärkning Notes	
	6311 6314	6313 6379	6144 - 75						
	1	1	1	1134-4156-01	Vinkelhållare	Panel bracket- inner			
	2	2	2	9897-0820-16	Skruv	Screw			
	3	2	2	9739-0831-22	Mutter	Nut			
	4	1	1	9695-0011-00	Bricka	Washer			
	5	1	1	1134-4065-01	Reglageaxel	Control shaft			
	6	1	1	1134-4079-01	Fjäder	Spring			
	7	1	1	1134-4080-03	Reglagehylsa	Control sleeve			
	8	2	2	9959-0820-16	Skruv	Screw			
	9	1	1	1134-4077-01	Gasreglage	Throttle control			
	10	1	1	1134-4078-01	Knopp	Knob			
	11	1	1	1134-0240-00	Ansatsskruv	Shoulder screw			
	12	2	2	1134-4242-01	Distansbricka	Spacer washer			
	13	1	1	9694-0001-00	Fjäderbricka	Washer			
	14	1	1	9747-0831-02	Mutter	Lock nut			
X	15	1	1	1137-0063-02	Gaswire	Throttle cable		L1 = 925 mm	
X	15	1	1	1137-0063-03	Gaswire	Throttle cable		L1 = 1413 mm	
	16	1	1	1137-0115-01	Överfall	Cable clamp			
	17	1	1	9943-0516-16	Skruv	Screw			
	18	1	1	1134-4072-01	Aggregatspak	Control lever			
	19	1	1	1134-2551-01	Reglageknopp	Knob			
	20	1	1	1134-3573-03	Wire	PTO cable			
	21	1	1	1134-5358-01	Brytarfäste	Switch bracket			
	22	2	2	9852-8013-16	Skruv	Screw			
	23	1	1	9400-0360-01	Mikrobrytare	Micro switch			
	24	2	2	9840-7716-16	Skruv	Screw		L = 16 mm	
	25	1	1	1134-6328-01	Frontfäste	Panel bracket- front			
	26	2	2	9893-0616-16	Skruv	Screw			
	27	1	1	1134-6327-01	Frontplåt	Front plate			
	28	4	4	9893-0616-16	Skruv	Screw			
	32		1	1134-6096-02	Kassett	Dashboard			
	32	1		1134-6096-05	Kassett	Dashboard			
	33	4	4	9946-0525-16	Skruv	Screw			
	34	1	1	1134-4154-01	Täckbricka	Cover			
	35	5	5	1134-4129-01	Täckbricka	Cover			
	36	1	1	1134-4093-01	Tändningslås	Ignition switch			
	39	1	1	1134-4749-01	Mutter	Nut			
	40		1	1134-2872-03	Chokereglage	Choke control			
X	40		1	1137-0062-03	Chokereglage	Choke control			
	40A		1	1134-4338-01	• Reglageknopp	• Control knob			
	41		1	9699-0090-02	Planbricka	Flat washer			
	42	1	1	9400-0282-01	Brytare m.diod	Switch w.diode			
X	44	1	1	1134-6097-02	Timräknare	Hour meter			
	45	1		1134-4100-01	Täckpropp	Plug			
	49	1	1	9400-0280-03	Vippa- höjinställning	Cover- height adjust			
	99	1	1	9400-0290-01	Verktyg f.vippa	Tool for cover		Tillbehör/Accessory	



Utgåva Issue 2011-11		Bildnr Picture No 2206C		PARK 2WD FOTREGLAGE		PARK 2WD FOOT CONTROLS		Sida Page 88	
Pos. Fig.	Antal/Quantity				Art nr Part No	Benämning	Description	Sats Kit	Anmärkning Notes
	6311 6314 6313 6379	6144 -75							
1	1	1			1134-5655-01	Broms/kopplingspedal.....	Brake/clutch pedal.....		Sats 4 st/kit of 4
2	1	1			1134-9024-01	Lager.....	Bearing.....		
3	1	1			1134-5677-02	Distans.....	Spacer.....		
4	1	1			9997-1070-12	Skruv.....	Screw.....		
5	1	1			9699-0030-02	Planbricka.....	Flat washer.....		
6	1	1			9739-1031-22	Mutter.....	Nut.....		
7	1	1			1134-6005-01	Wire.....	Cable.....		
8	1	1			4231-0013-00	Fjäder.....	Spring.....		
9A	1	1			1134-6467-01	Wirefäste.....	Cable holder.....		
10	2	2			9959-0820-16	Skruv.....	Screw.....		
11	1	1			9739-0831-22	Mutter.....	Nut.....		
12	1	1			9747-0831-02	Mutter.....	Lock nut.....		
13	1	1			1134-6353-01	Drivpedal.....	Drive pedal.....		
14	2	2			1134-6313-01	Lager.....	Bearing.....		
15	2	2			1134-2700-01	Fäste.....	Bracket.....		
16	2	2			9959-0820-16	Skruv.....	Screw.....		
17	2	2			9739-0831-22	Mutter.....	Nut.....		
18	1	1			9997-0835-16	Skruv.....	Screw.....		
19	1	1			9739-0831-22	Mutter.....	Nut.....		
20	1	1			9959-0820-16	Skruv.....	Screw.....		
21	1	1			9739-0831-22	Mutter.....	Nut.....		
22	1	1			1134-2766-05	Reglagewire.....	Speed control cable.....		
23	2	2			9570-0001-00	Vinkellänk.....	Elbow link.....		
24	2	2			9739-0531-22	Mutter.....	Nut.....		
25	2	2			9747-0531-02	Mutter.....	Nut.....		
27	1	1			1134-6317-01	Wirefäste.....	Cable holder.....		
28	2	2			9959-0620-16	Skruv.....	Screw.....		
29	2	2			9739-0631-22	Mutter.....	Nut.....		
30	1	1			1134-3395-01	Fäste.....	Attachment.....		
31	2	2			9959-0820-16	Skruv.....	Screw.....		
32	2	2			9739-0831-22	Mutter.....	Nut.....		
33	1	1			1134-2021-01	Växelwirefäste.....	Clamp.....		
34	1	1			1134-5353-01	Bromsstång.....	Brake rod.....		
36	1	1			1134-2786-01	Plastknopp.....	Plastic knob.....		
37	1	1			1131-1497-01	Fjäder.....	Spring.....		
38	1	1			1134-4002-01	Fäste.....	Brake rod attachment.....		
39	3	3			9838-9516-12	Skruv.....	Screw.....		
43	2				1134-6340-02	Fotstöd.....	Foot rest.....		
44	4				9959-0620-16	Skruv.....	Screw.....		
45	4				9739-0631-22	Mutter.....	Nut.....		

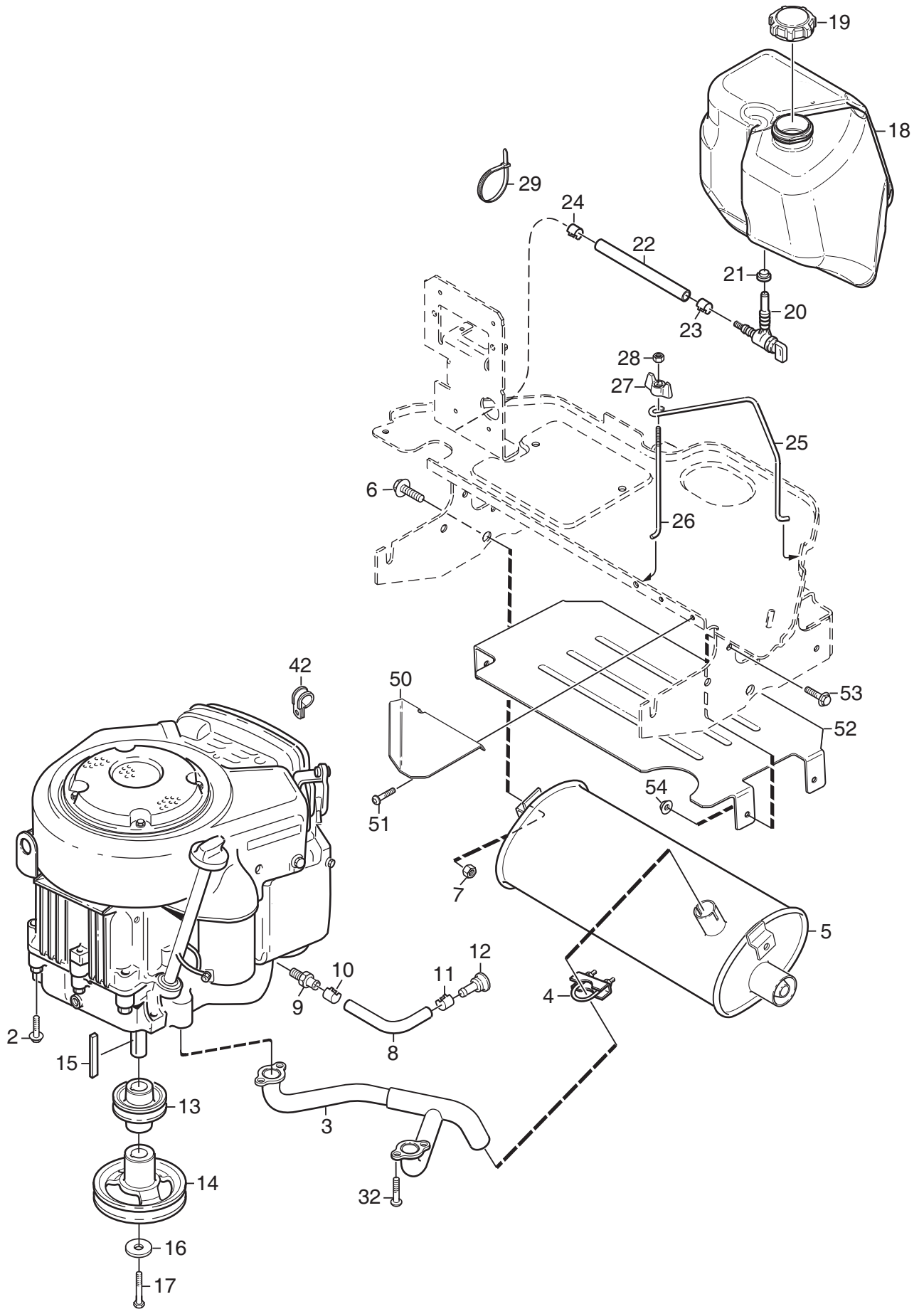


Utgåva Issue 2011- 11		Bildnr Picture No 2020H		PARK 2WD ELUTRUSTNING		PARK 2WD EL. EQUIPMENT		Sida Page 90	
Pos. Fig.	Antal/Quantity				Art nr Part No	Benämning	Description	Sats Kit	Anmärkning Notes
	6311 6314 6313	6379	6144 - 75						
1	1	1	1		1134-5751-01	Batteri	Battery		
2	1	1	1		1134-5994-01	Batteribygel	Battery loop.....		
3	1	1	1		1134-5995-01	Batteribygel	Battery loop.....		
4	1	1	1		1134-4481-02	Vingmutter	Wing nut		
5	1	1	1		9747-0631-02	Låsmutter	Lock nut		
6	1	1	1		1134-2962-01	Solenoid kpl	Solenoid assy.....		Inkl. pos 7
7	2	2	2		9794-5131-02	• Mutter	• Nut		
8	2	2	2		9852-8013-16	Skruv	Screw		
9	2	2	2		9699-0060-02	Planbricka.....	Flat washer.....		
10	1	1	1		1134-4970-02	Kabel- röd	Cable- red.....		
11	1	1	1		1134-3491-01	Säkringshållare.....	Fuse holder		
12	1	1	1		1134-3496-01	Säkring	Fuse		10A
12	1	1	1		1134-3496-06	Säkring	Fuse		20A
12	1	1	1		1134-3496-07	Säkring	Fuse		30A
13	1	1	1		1134-3631-01	Lock- säkringsdosa.....	Cover- fuse holder.....		
14	1	1	1		1134-3399-02	Brytare.....	Switch		
15	2	2	2		9943-0516-16	Skruv	Screw		
19	1	1			1134-7535-01	Honkontakt	Female terminal.....		
21	2	2			9840-7716-16	Skruv	Screw		
22 A	1	1	1		1134-0234-02	Batterikabel (+)	Battery cable (+).....		
23	1	1	1		1134-2310-01	Batteriskydd.....	Guard cap		
24	5	5	7		9579-0003-00	Buntband	Cable holder		
X 24	2	2			9579-0018-01	Buntband	Cable tie		L=390
27	1	1			1137-0075-01	Fäste	Bracket		
28	1	1			9959-0820-16	Skruv	Screw		
29	1	1			9739-0831-22	Mutter	Nut		
33	2	2			9400-0358-01	LED- lampa	LED- lamp		
34	1	1			1134-7505-01	Kablage.....	Harness.....		
37			1		9959-0612-16	Skruv	Screw		
38			1		9739-0631-22	Mutter	Nut		
39		1	1		1134-6454-01	Jordplåt	Ground plate		
40	1				1134-6441-01	Kablage.....	Harness.....		B&S
40		1	1		1137-0027-01	Kablage.....	Harness.....		Honda



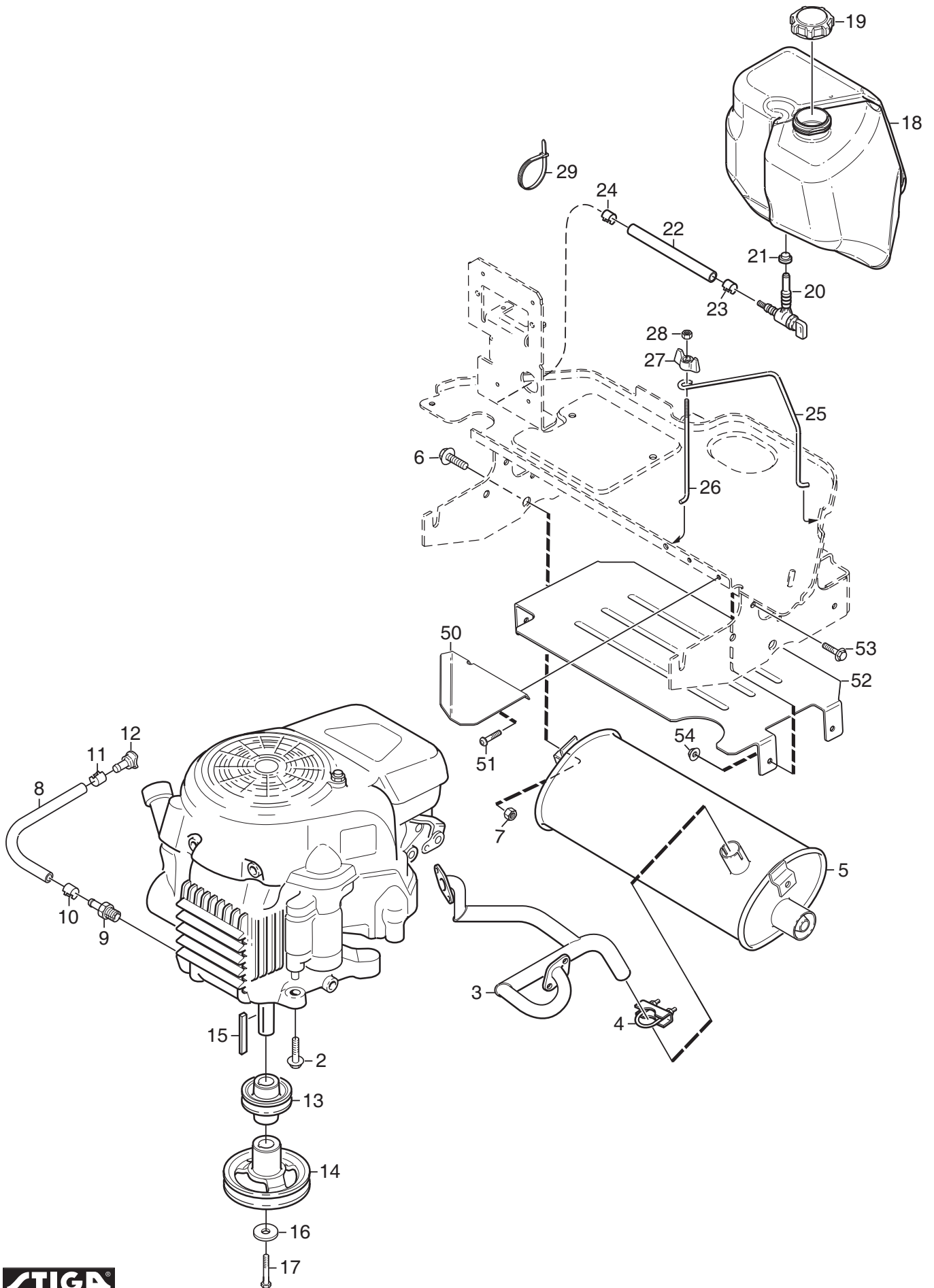
Utgåva Issue 2011- 11		Bildnr Picture No 2021		PARK 2WD PLUS- PLUS UNLTD MOTOR (Briggs & Stratton)		PARK 2WD PLUS- PLUS UNLTD ENGINE (Briggs & Stratton)		Sida Page 92	
Pos. Fig.	Antal/Quantity				Art nr Part No	Benämning	Description	Sats Kit	Anmärkning Notes
	6311								
1	1				1134-6116-02	Luffring.....	Air duct		
2	4				9955-3725-16	Skruv.....	Screw.....		
3	1				1134-6100-01	Grenrör.....	Exhaust pipe		
4	1				9578-0011-01	Klämma.....	Clamp.....		
5	1				1134-6024-01	Ljuddämpare	Muffler		
6	1				9959-0820-16	Skruv.....	Screw.....		
7	1				9739-0831-22	Mutter.....	Nut.....		
8	1				1134-5827-01	Oljeavtappning kpl.....	Oil drain assy		Inkl. pos 9 - 12
9	1				1134-5825-01	• Nippel.....	• Nipple.....		
10	1				9578-0023-04	• Slangklämma.....	• Hose clamp		
11	1				1134-3499-02	• Slangklämma.....	• Hose clamp		
12	1				1134-5826-01	• Plugg.....	• Plug.....		
13	1				1137-0007-01	Motorremskiva	Engine pulley.....		Ø = 85 mm
14	1				1137-0082-01	Motorremskiva	Engine pulley.....		Ø = 139 mm
15	1				9600-0251-01	Kil.....	Key.....		
16	1				1134-5017-01	Bricka.....	Washer.....		
17	1				9987-5332-16	Skruv.....	Screw		
18	1				1134-5938-01	Bränsletank.....	Fuel tank		
19	1				1134-5532-01	Tanklock	Fuel tank cap.....		
20	1				1134-3224-01	Bensinkran.....	Fuel shut-off valve		
21	1				1134-3225-01	Gummibussning.....	Grommet.....		
22	1,1				9505-0001-01	Bensinslang (meter)	Fuel line (metre).....		Per meter
23	1				9578-0023-02	Slangklämma.....	Hose clamp		
24	1				9578-0023-02	Slangklämma.....	Hose clamp		
25	1				1134-5942-01	Tankbygel	Tank loop		
26	1				1134-5996-01	Tankbygel	Tank loop		
27	1				1134-4481-02	Vingmutter.....	Wing nut.....		
28	1				9747-0631-02	Låsmutter	Lock nut.....		
29	1				9579-0003-00	Buntband.....	Cable holder.....		
30	1				9852-8013-16	Skruv.....	Screw.....		
31	1				1134-0433-00	Ljuddämparpackning.....	Muffler gasket.....		
32	2				1134-4930-01	Skruv.....	Screw.....		
50	1				1134-6234-01	Deflektor.....	Heat deflector.....		
51	2				9943-0516-16	Skruv.....	Screw.....		
52	1				1134-6251-01	Deflektor.....	Heat deflector.....		
53	4				9959-0612-16	Skruv.....	Screw.....		
54	4				9739-0631-22	Mutter.....	Nut.....		

X
X



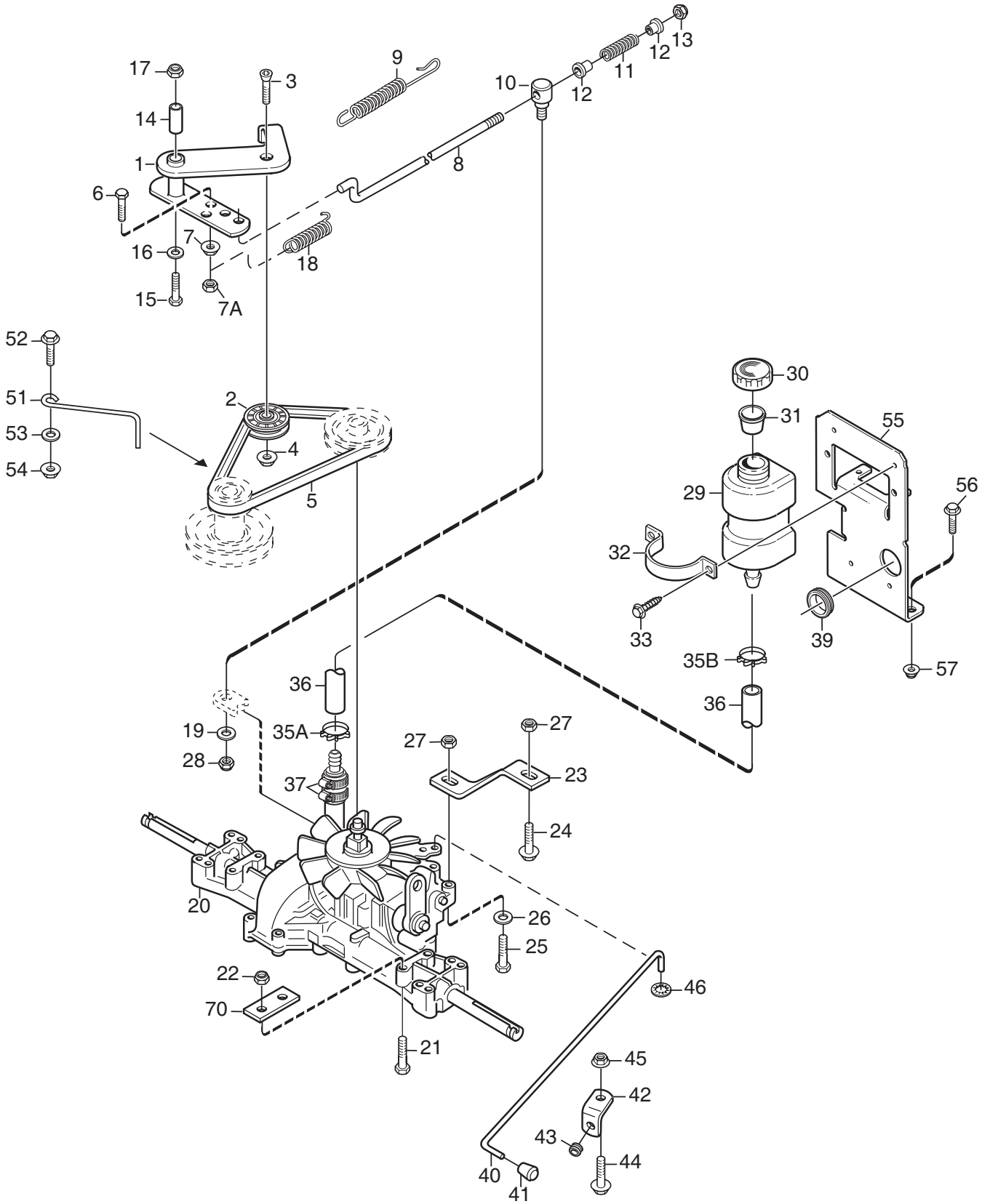
Utgåva Issue 2011- 11		Bildnr Picture No 2207C		PARK 2WD EXCELLENT MOTOR (Briggs & Stratton)		PARK 2WD EXCELLENT ENGINE (Briggs & Stratton)		Sida Page 94	
Pos. Fig.	Antal/Quantity				Art nr Part No	Benämning	Description	Sats Kit	Anmärkning Notes
	6313								
2	4				9955-3725-16 Skruv.....	Screw.....			
3	1				1134-6339-01 Grenrör.....	Exhaust pipe.....			
4	1				9578-0011-01 Klämman.....	Clamp.....			
5	1				1134-6024-01 Ljuddämpare.....	Muffler.....			
6	1				9959-0820-16 Skruv.....	Screw.....			
7	1				9739-0831-22 Mutter.....	Nut.....			
8	1				1134-5827-04 Oljeavtappning kpl.....	Oil drain assy.....		Inkl. pos 9 - 12	
9	1				1134-5825-01 • Nippel.....	• Nipple.....			
10	1				9578-0023-04 • Slangklämman.....	• Hose clamp.....			
11	1				1134-3499-02 • Slangklämman.....	• Hose clamp.....			
12	1				1134-5826-01 • Plugg.....	• Plug.....			
13	1				1137-0007-01 Motorremskiva.....	Engine pulley.....		Ø = 85 mm	
14	1				1137-0082-01 Motorremskiva.....	Engine pulley.....		Ø = 139 mm	
15	1				9600-0251-01 Kil.....	Key.....			
16	1				1134-5017-01 Bricka.....	Washer.....			
17	1				9987-5332-16 Skruv.....	Screw.....			
18	1				1134-5938-01 Bränsletank.....	Fuel tank.....			
19	1				1134-5532-01 Tanklock.....	Fuel tank cap.....			
20	1				1134-3224-01 Bensinkran.....	Fuel shut-off valve.....			
21	1				1134-3225-01 Gummibussning.....	Grommet.....			
22	1,1				9505-0001-01 Bensinslang (meter).....	Fuel line (metre).....		Per meter	
23	1				9578-0023-02 Slangklämman.....	Hose clamp.....			
24	1				9578-0023-02 Slangklämman.....	Hose clamp.....			
25	1				1134-5942-01 Tankbygel.....	Tank loop.....			
26	1				1134-5996-01 Tankbygel.....	Tank loop.....			
27	1				1134-4481-02 Vingmutter.....	Wing nut.....			
28	1				9747-0631-02 Låsmutter.....	Lock nut.....			
29	1				9579-0003-00 Buntband.....	Cable holder.....			
30	1				9852-8013-16 Skruv.....	Screw.....			
32	4				9939-0820-16 Skruv.....	Screw.....			
42	1				1134-0994-02 Rörklämman.....	Tube clamp.....			
50	1				1134-6234-01 Deflektor.....	Heat deflector.....			
51	2				9943-0516-16 Skruv.....	Screw.....			
52	1				1134-6251-01 Deflektor.....	Heat deflector.....			
53	4				9959-0612-16 Skruv.....	Screw.....			
54	4				9739-0631-22 Mutter.....	Nut.....			

X
X

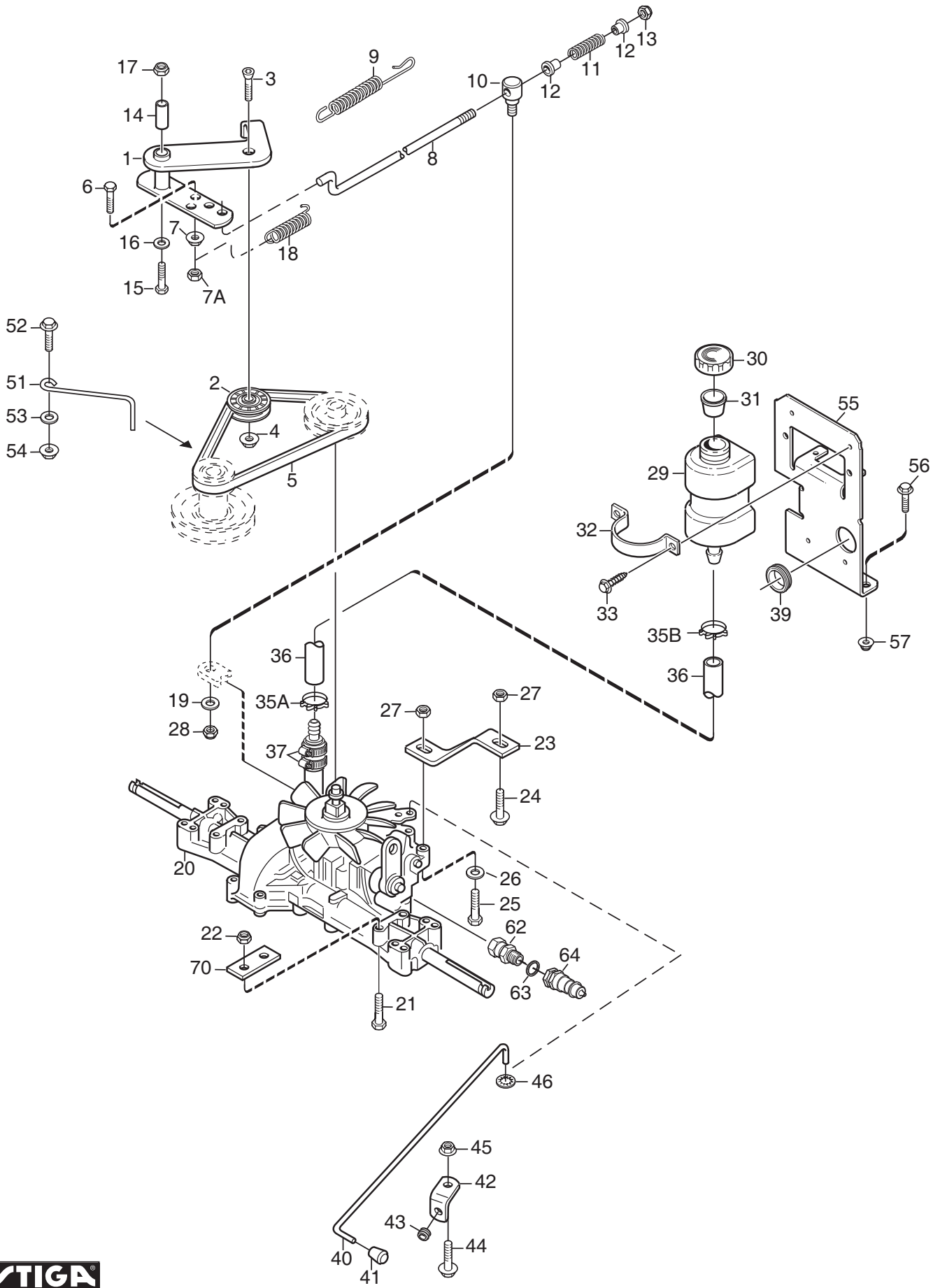


Utgåva Issue 2011- 11		Bildnr Picture No 2022		PARK 2WD RANGER- SILENT MOTOR (Honda)		PARK 2WD RANGER- SILENT ENGINE (Honda)		Sida Page 96	
Pos. Fig.	Antal/Quantity			Art nr Part No	Benämning	Description	Sats Kit	Anmärkning Notes	
	6379	6144 - 75							
2	4	4		9955-3725-16	Skruv.....	Screw.....			
3	1	1		1134-5947-01	Grenrör.....	Exhaust pipe.....			
4	1	1		9578-0011-01	Klämma.....	Clamp.....			
5	1	1		1134-6024-01	Ljuddämpare.....	Muffler.....			
6	1	1		9959-0820-16	Skruv.....	Screw.....			
7	1	1		9739-0831-22	Mutter.....	Nut.....			
8	1	1		1134-5827-01	Oljeavtappning kpl.....	Oil drain assy.....		Inkl. pos 9 - 12	
9	1	1		1134-5825-01	• Nippel.....	• Nipple.....			
10	1	1		9578-0023-04	• Slangklämma.....	• Hose clamp.....			
11	1	1		1134-3499-02	• Slangklämma.....	• Hose clamp.....			
12	1	1		1134-5826-01	• Plugg.....	• Plug.....			
13	1	1		1137-0007-01	Motorremskiva.....	Engine pulley.....		Ø = 85 mm	
14	1	1		1137-0082-01	Motorremskiva.....	Engine pulley.....		Ø = 139 mm	
15	1	1		9600-0251-01	Kil.....	Key.....			
16	1	1		1134-5017-01	Bricka.....	Washer.....			
17	1	1		9987-5332-16	Skruv.....	Screw.....			
18	1	1		1134-5938-01	Bränsletank.....	Fuel tank.....			
19	1	1		1134-5532-01	Tanklock.....	Fuel tank cap.....			
20	1	1		1134-3224-01	Bensinkran.....	Fuel shut-off valve.....			
21	1	1		1134-3225-01	Gummibussning.....	Grommet.....			
22	1,1	1,1		9505-0001-01	Bensinslang (meter).....	Fuel line (metre).....		Per meter	
23	1	1		9578-0023-02	Slangklämma.....	Hose clamp.....			
24	1	1		9578-0023-02	Slangklämma.....	Hose clamp.....			
25	1	1		1134-5942-01	Tankbygel.....	Tank loop.....			
26	1	1		1134-5996-01	Tankbygel.....	Tank loop.....			
27	1	1		1134-4481-02	Vingmutter.....	Wing nut.....			
28	1	1		9747-0631-02	Låsmutter.....	Lock nut.....			
29	1	1		9579-0003-00	Buntband.....	Cable holder.....			
30	1	1		9893-0616-16	Skruv.....	Screw.....			
50	1	1		1134-6234-01	Deflektor.....	Heat deflector.....			
51	2	2		9943-0516-16	Skruv.....	Screw.....			
52	1	1		1134-6251-01	Deflektor.....	Heat deflector.....			
53	4	4		9959-0612-16	Skruv.....	Screw.....			
54	4	4		9739-0631-22	Mutter.....	Nut.....			

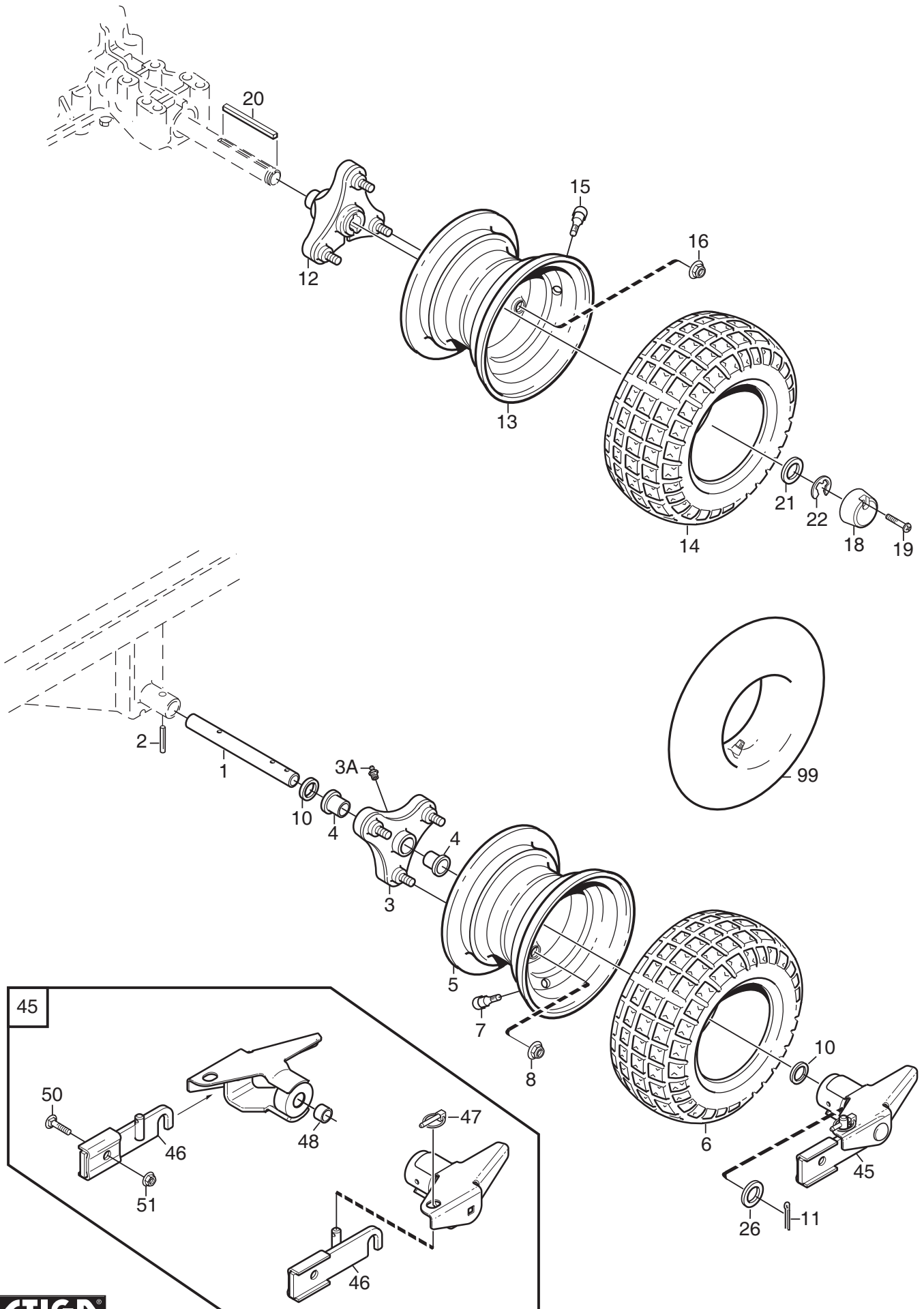
X
X



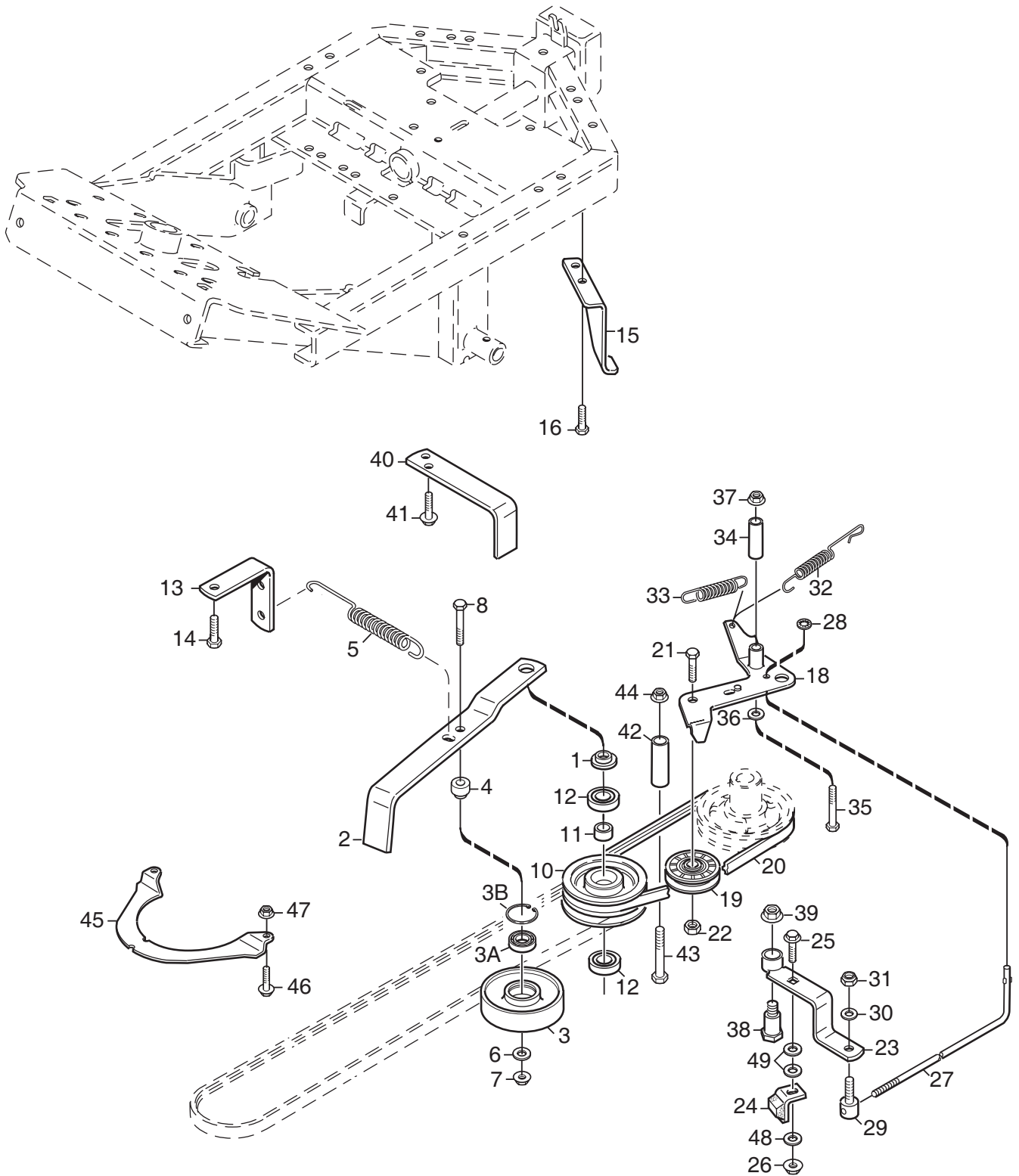
Utgåva Issue		Bildnr Picture No		PARK 2WD PLUS- EXCELLENT- SILENT TRANSMISSION K46		PARK 2WD PLUS- EXCELLENT- SILENT TRANSMISSION K46		Sida Page	
2011- 11		1996C						98	
Pos. Fig.	Antal/Quantity			Art nr Part No	Benämning	Description	Sats Kit	Anmärkning Notes	
	6311 6314 6144 -75	6313							
	1	1	1	1134- 4000- 02	Spännarm	Tension arm		= 9585- 0091- 01	
	2	1	1	1134- 3459- 01	Spännrulle	Tension roller			
	3	1	1	9924- 1035- 16	Skruv	Screw			
	4	1	1	9799- 1031- 02	Mutter	Nut			
	5	1	1	1134- 9058- 01	Drivrem	V- belt.....			
	6	1	1	9997- 0625- 16	Skruv	Screw			
	7	1	1	9739- 0631- 22	Mutter	Nut			
	7A	1	1	9747- 0631- 02	Låsmutter	Lock nut			
	8	1	1	1134- 3377- 02	Reglagestång	Control rod			
	9	1	1	4231- 0013- 00	Fjäder	Spring			
	10	1	1	1134- 4171- 01	Ledtapp	Pivot pin			
	11	1	1	1134- 4183- 01	Tryckfjäder	Compression spring			
	12	2	2	1134- 3456- 01	Bussning	Bushing			
	13	1	1	9747- 0631- 02	Låsmutter	Lock nut			
	14	1	1	1134- 1565- 08	Distans	Spacer			
X	15	1	1	9930- 0870- 12	Skruv	Screw			
	16	1	1	9699- 0056- 02	Planbricka.....	Flat washer.....			
	17	1	1	9747- 0831- 02	Mutter	Lock nut			
	18	1	1	1134- 6414- 01	Fjäder	Spring			
	19	1	1	9699- 0060- 02	Planbricka.....	Flat washer.....			
	20	1	1	1137- 0123- 01	Transaxel kpl.....	Transaxle assy.....	Kanzaki K46CI L = 60 mm L = 70 mm		
	21	4	4	9960- 0860- 12	Skruv	Screw			
	21	4	4	9997- 0870- 16	Skruv	Screw			
	22	4	4	9747- 0831- 02	Mutter	Lock nut			
	23	1	1	1134- 3913- 01	Reaktionsstag	Strut			
	24	1	1	9959- 0825- 16	Skruv	Screw			
	25	1	1	9997- 0845- 12	Skruv	Screw			
	26	1	1	9699- 0090- 02	Planbricka.....	Flat washer.....			
	27	2	2	9747- 0831- 02	Mutter	Lock nut			
	28	1	1	9747- 0631- 02	Låsmutter	Lock nut			
	29	1	1	1134- 2765- 02	Oljetank	Oil tank			
	30	1	1	1134- 2777- 02	Tanklock	Filler cap			
	31	1	1	1134- 3734- 01	Luftningsplugg	Vent plug			
	32	1	1	1134- 2778- 01	Fästband	Retainer strap			
	33	2	2	9852- 8013- 16	Skruv	Screw			
	35A	1	1	9578- 0023- 04	Slangklämma	Hose clamp	15*8 14,6- 17,8 L = 290 mm		
	35B	1	1	9578- 0035- 01	Slangklämma	Hose clamp			
X	36	1	1	1134- 2779- 09	Slang	Tube			
	39	1	1	1134- 3203- 01	Kabelgenomföring	Grommet			
	40	1	1	1134- 4015- 01	Dragstång	Pull rod			
	41	1	1	1134- 4014- 01	Plastknopp.....	Plastic button.....			
	42	1	1	1134- 4713- 01	Vinkel.....	Bracket			
	43	1	1	1134- 2790- 01	Gummihylsa	Rubber grommet.....			
	44	1	1	9959- 0820- 16	Skruv	Screw			
	45	1	1	9739- 0831- 22	Mutter	Nut			
	46	1	1	9675- 0009- 02	Starlock	Starlock			
	51	1	1	1134- 3289- 02	Remstyrning.....	Belt guide			
	52	1	1	9959- 0820- 16	Skruv	Screw			
	53	1	1	9699- 0056- 02	Planbricka.....	Flat washer.....			
	54	1	1	9739- 0831- 22	Mutter	Nut			
	55	1	1	1134- 5941- 01	Tankkonsol	Tank bracket.....			
	56	2	2	9959- 0820- 16	Skruv	Screw			
	57	2	2	9739- 0831- 22	Mutter	Nut			
	70		2	1134- 3376- 01	Mellanlägg	Spacer plate			



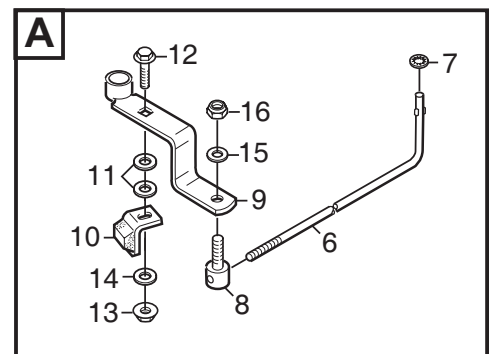
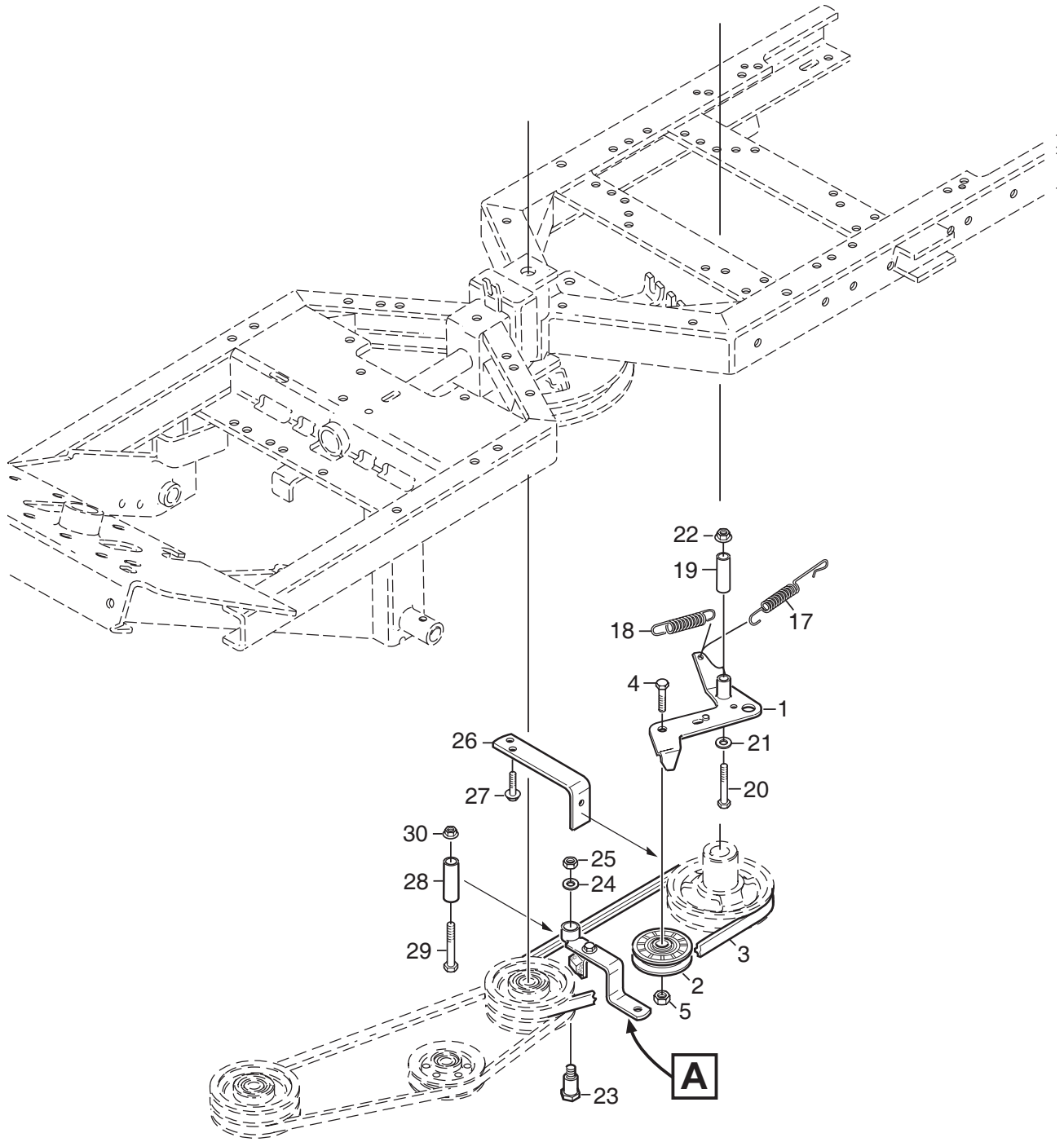
Utgåva Issue 2011- 11		Bildnr Picture No 2410A		PARK 2WD RANGER TRANSMISSION K574		PARK 2WD RANGER TRANSMISSION K574		Sida Page 100	
Pos. Fig.	Antal/Quantity				Art nr Part No	Benämning	Description	Sats Kit	Anmärkning Notes
	6379								
1	1				1134- 4000- 02	Spännarm	Tension arm		
2	1				1134- 3459- 01	Spännrulle	Tension roller		
3	1				9924- 1035- 16	Skruv	Screw		
4	1				9799- 1031- 02	Mutter	Nut		
5	1				1134- 9058- 01	Drivrem	V- belt.....		
6	1				9997- 0625- 16	Skruv	Screw		
7	1				9739- 0631- 22	Mutter	Nut		
7A	1				9747- 0631- 02	Låsmutter	Lock nut		
8	1				1134- 3377- 02	Reglagestång	Control rod.....		
9	1				4231- 0013- 00	Fjäder.....	Spring		
10	1				1134- 4171- 01	Ledtapp	Pivot pin.....		
11	1				1134- 4183- 01	Tryckfjäder.....	Compression spring.....		
12	2				1134- 3456- 01	Bussning	Bushing.....		
13	1				9747- 0631- 02	Låsmutter	Lock nut		
14	1				1134- 1565- 08	Distans	Spacer.....		
15	1				9997- 0870- 16	Skruv	Screw		
16	1				9699- 0056- 02	Planbricka.....	Flat washer.....		
17	1				9747- 0831- 02	Mutter.....	Lock nut.....		
18	1				1134- 6414- 01	Fjäder.....	Spring		
19	1				9699- 0060- 02	Planbricka.....	Flat washer.....		
X 20	1				1137- 0126- 01	Transaxel kpl.....	Transaxle assy.....		
21	4				9960- 0860- 12	Skruv	Screw		Kanzaki K57V L = 60 mm
22	4				9747- 0831- 02	Mutter.....	Lock nut.....		
23	1				1134- 3913- 01	Reaktionsstag	Strut.....		
24	1				9959- 0825- 16	Skruv	Screw		
25	1				9997- 0845- 12	Skruv	Screw		
26	1				9699- 0090- 02	Planbricka.....	Flat washer.....		
27	2				9747- 0831- 02	Mutter.....	Lock nut.....		
28	1				9747- 0631- 02	Låsmutter	Lock nut		
29	1				1134- 2765- 02	Oljetank	Oil tank		
30	1				1134- 2777- 02	Tanklock	Filler cap		
31	1				1134- 3734- 01	Luftningsplugg	Vent plug.....		
32	1				1134- 2778- 01	Fästband	Retainer strap		
33	2				9852- 8013- 16	Skruv	Screw		
35A	1				9578- 0023- 04	Slangklämma.....	Hose clamp		15*8
X 35B	1				9578- 0035- 01	Slangklämma.....	Hose clamp		14,6- 17,8
36	1				1134- 2779- 09	Slang	Tube		L = 290 mm
39	1				1134- 3203- 01	Kabelgenomföring	Grommet.....		
40	1				1134- 4015- 01	Dragstång	Pull rod		
41	1				1134- 4014- 01	Plastknopp.....	Plastic button.....		
42	1				1134- 4713- 01	Vinkel.....	Bracket.....		
43	1				1134- 2790- 01	Gummihylsa	Rubber grommet.....		
44	1				9959- 0820- 16	Skruv	Screw		
45	1				9739- 0831- 22	Mutter.....	Nut		
46	1				9675- 0009- 02	Starlock	Starlock		
51	1				1134- 3289- 02	Remstyrning	Belt guide.....		
52	1				9959- 0820- 16	Skruv	Screw		
53	1				9699- 0056- 02	Planbricka.....	Flat washer.....		
54	1				9739- 0831- 22	Mutter.....	Nut		
55	1				1134- 5941- 01	Tankkonsol	Tank bracket.....		
56	2				9959- 0820- 16	Skruv	Screw		
57	2				9739- 0831- 22	Mutter.....	Nut		
62	1				1134- 7245- 01	Adapter- rak	Coupling- straight.....		
63	1				1134- 4948- 01	Tredobricka.....	Seal washer.....		
64	1				1134- 6042- 01	Snabbkoppling- hane.....	Quick coupling- male.....		



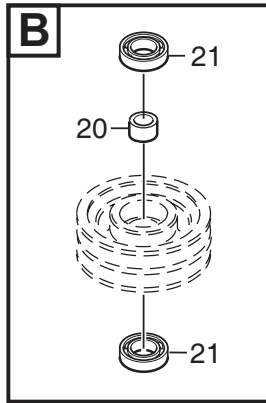
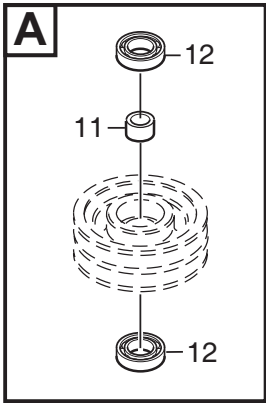
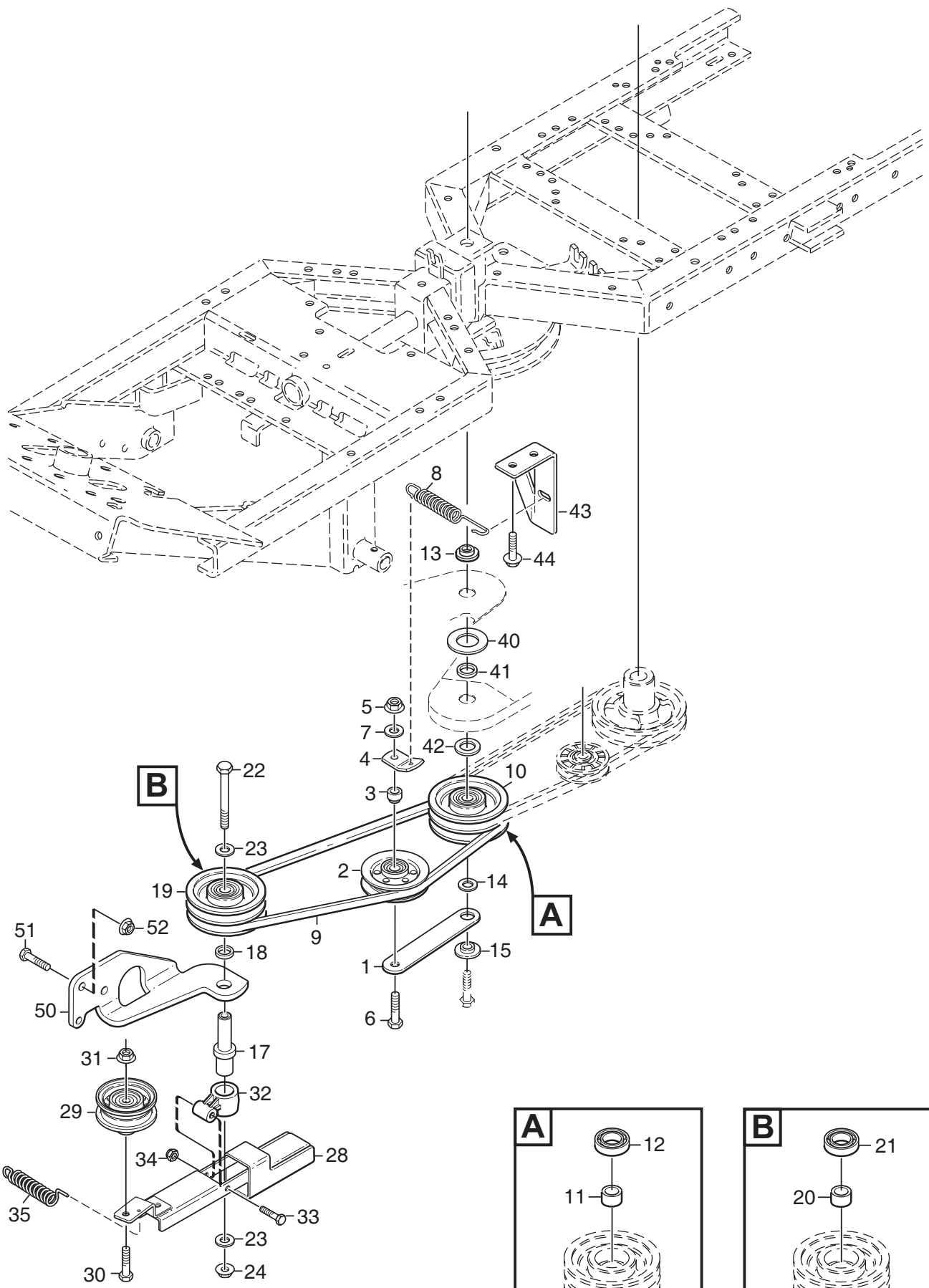
Utgåva Issue		Bildnr Picture No		PARK 2WD HJUL 16"		PARK 2WD WHEELS 16"		Sida Page	
2011- 11		1346E						102	
Pos. Fig.	Antal/Quantity				Art nr Part No	Benämning	Description	Sats Kit	Anmärkning Notes
	6311 6314 6313 6379	6144 - 75							
X 1	2	2			1134- 0075- 00	Framaxeltapp	Front axle		
2	2	2			9595- 0258- 00	Spännstift	Locating pin		
3	2	2			1134- 4844- 05	Hjulnav kpl	Wheel hub Assy		
3A	1	1			9501- 0500- 00	• Smörjnippel	• Grease joint		
4	1	1			1134- 9026- 01	• Lagerbussning	• Bearing bush kit		Sats 4 st/kit of 4
5	2	2			1134- 4558- 01	Fälg	Rim		
6	2	2			9545- 0116- 00	Däck	Tyre		16 x 7.50 - 8
7	2	2			9545- 0500- 00	Ventil	Valve		
8	6	6			9731- 1031- 22	Mutter	Nut		
10	6	6			1134- 0341- 01	Bricka	Washer		20,5x36x1,5 mm
11	2	2			9599- 0080- 02	• Saxsprint	• Cotter pin		
12	2	2			1134- 4844- 02	Hjulnav	Wheel hub		
13	2	2			1134- 4558- 01	Fälg	Rim		
14	2	2			9545- 0116- 00	Däck	Tyre		16 x 7.50 - 8
15	2	2			9545- 0500- 00	Ventil	Valve		
16	6	6			9731- 1031- 22	Mutter	Nut		
18	2	2			1134- 4796- 01	Navkapsel	Hub cap		
19	2	2			9947- 0540- 19	Skruv	Screw		
20	2	2			1134- 2471- 01	Kil	Key		
21	2	2			1134- 0341- 01	Bricka	Washer		20,5x36x1,5 mm
22	2	2			9653- 0001- 04	Spårryttare	Lock ring		
26	2	2			9699- 0042- 02	• Planbricka	• Flat washer		20x36x3,0 mm
45	1	1			13- 0992- 61	Snabbfäste kpl	Quick connections		Inkl. pos 11,26,46- 51
46	1	1			1134- 7465- 01	• Fästen kpl, vä+hö	• Attachment kit, LH+RH		Inkl. pos 50- 51
47	2	2			1137- 0077- 01	• Låssprint	• Locking pin		
48	2	2			9548- 0026- 01	• Glidlager	• Bearing		
50	2	2			9898- 1035- 16	•• Skruv	•• Screw		
51	2	2			9739- 1031- 22	•• Mutter	•• Nut		
99					9545- 0203- 00	Innerslang	Inner tube		Reservdel/spare part



Utgåva Issue		Bildnr Picture No		PARK 2WD KRAFTUTTAG		PARK 2WD POWER TAKE-OFF		Sida Page	
2011-11		1030H						104	
Pos. Fig.	Antal/Quantity			Art nr Part No	Benämning	Description	Sats Kit	Anmärkning Notes	
	6311 6314 6313 6379	6144 -75							
X	1	1	1	1134-5548-01	Distans	Spacer		Inkl. pos 3A- 3B	
	2	1	1	1134-5109-01	Spännhjularm	Tension wheel arm			
	3	1	1	1137-0128-01	Spännrulle kpl.....	Tension roller assy			
	3A	1	1	9549-0019-00	• Kullager	• Ball bearing			
	3B	1	1	9651-0040-04	• Låsring	• Retaining ring.....			
	4	1	1	1134-1888-04	Distans	Spacer			
	5	1	1	1134-5111-01	Fjäder.....	Spring			
	6	1	1	9699-0056-02	Planbricka.....	Flat washer.....			
	7	1	1	9739-0831-22	Mutter.....	Nut			
	8	1	1	9997-0855-12	Skruv.....	Screw.....			
	10	1	1	1137-0004-01	Centrumremskiva kpl.....	Centre pulley assy			Inkl. pos 11-12
	11	1	1	1134-0051-09	• Distans	• Spacer			
	12	2	2	9549-0019-00	• Kullager	• Ball bearing			
	13	1	1	1134-5112-01	Fjäderfäste.....	Spring attachment.....			
	14	2	2	9945-0816-16	Skruv.....	Screw.....			
	15	1	1	1134-5110-01	Hake	Hook			
	16	2	2	9893-0616-16	Skruv.....	Screw.....			
	18	1	1	1134-2018-02	Spännarm.....	Tension arm			
	19	1	1	1134-9027-02	Spännrulle-grå	Tension roller-grey			
	20	1	1	1134-9071-01	Drivrem	V-belt.....	= 9585-0129-01		
	21	1	1	9997-1030-16	Skruv.....	Screw.....			
	22	1	1	9799-1031-02	Mutter.....	Nut			
	23	1	1	1134-4111-01	Bromsarm	Brake arm			
	24	1	1	1134-4164-03	Bromsklots	Brake pad			
	25	1	1	9897-0825-16	Skruv.....	Screw.....			
	26	1	1	9747-0831-02	Mutter.....	Lock nut			
	27	1	1	1134-4162-01	Bromsstång	Brake rod			
	28	1	1	9675-0008-02	Starlock	Locking washer.....			
	29	1	1	1134-4170-01	Nippel.....	Nipple.....			
	30	1	1	9699-0025-02	Planbricka.....	Washer.....			
	31	1	1	9747-0631-02	Låsmutter	Lock nut			
	32	1	1	4231-0013-00	Fjäder.....	Spring			
	33	1	1	1134-4231-01	Dragfjäder.....	Spring			
	34	1	1	1134-1565-10	Distans	Spacer.....			
	35	1	1	9997-0860-12	Skruv.....	Screw.....			
	36	1	1	9699-0056-02	Planbricka.....	Flat washer.....			
	37	1	1	9739-0831-22	Mutter.....	Nut			
	38	1	1	1134-4163-01	Ansätsskruv.....	Shoulder bolt			
	39	1	1	9731-1031-22	Mutter.....	Nut			
	40	1	1	1134-3958-01	Remstyrning.....	Belt guide.....			
	41	2	2	9893-0616-16	Skruv.....	Screw.....			
	42	1	1	1134-0041-03	Hylsa	Collar			
	43	1	1	9997-1070-12	Skruv.....	Screw.....			
	44	1	1	9739-1031-22	Mutter.....	Nut			
	45	1	1	1134-3654-01	Fingerskydd.....	Finger guard.....			
	46	2	2	9959-0612-16	Skruv.....	Screw.....			
	47	2	2	9739-0631-22	Mutter.....	Nut			
	48	1	1	9699-0090-02	Planbricka.....	Flat washer.....			
	49	2	2	9699-0035-02	Planbricka.....	Flat washer.....			



Utgåva Issue 2011-11		Bildnr Picture No 2817		PARK 2WD KRAFTUTTAG 1 (Frankrike)		PARK 2WD POWER TAKE-OFF 1 (France)		Sida Page 106	
Pos. Fig.	Antal/Quantity				Art nr Part No	Benämning	Description	Sats Kit	Anmärkning Notes
	6311 6379 -31								
	1	1			1134-2018-02	Spännarm	Tension arm		
	2	1			1134-9027-02	Spännrulle- grå	Tension roller- grey		
	3	1			1134-9071-01	Drivrem	V- belt		= 9585-0129-01
	4	1			9997-1030-16	Skruv	Screw		
	5	1			9799-1031-02	Mutter	Nut		
X	6	1			1134-4162-02	Bromsstång	Brake rod		
	7	1			9675-0008-02	Starlock	Locking washer		
	8	1			1134-4170-01	Nippel	Nipple		
	9	1			1134-4111-01	Bromsarm	Brake arm		
X	10	1			1137-0389-01	Bromsklots	Brake pad		
	11	2			9699-0035-02	Planbricka	Flat washer		
	12	1			9897-0825-16	Skruv	Screw		
	13	1			9747-0831-02	Mutter	Lock nut		
	14	1			9699-0090-02	Planbricka	Flat washer		
	15	1			9699-0025-02	Planbricka	Washer		
	16	1			9747-0631-02	Låsmutter	Lock nut		
	17	1			4231-0013-00	Fjäder	Spring		
	18	1			1134-4231-01	Dragfjäder	Spring		
	19	1			1134-1565-10	Distans	Spacer		
	20	1			9997-0860-12	Skruv	Screw		
	21	1			9699-0056-02	Planbricka	Flat washer		
	22	1			9739-0831-22	Mutter	Nut		
	23	1			1134-4163-01	Ansatsskruv	Shoulder bolt		
	24	1			9699-0035-02	Planbricka	Flat washer		
X	25	1			9731-1031-22	Mutter	Nut		
	26	1			1134-3958-02	Remstyrning	Belt guide		
	27	2			9893-0616-16	Skruv	Screw		
	28	1			1134-0041-03	Hylsa	Collar		
	29	1			9997-1070-12	Skruv	Screw		
	30	1			9739-1031-22	Mutter	Nut		



Utgåva Issue 2011-11		Bildnr Picture No 2818		PARK 2WD KRAFTUTTAG 2 (Frankrike)		PARK 2WD POWER TAKE-OFF 2 (France)		Sida Page 108	
Pos. Fig.	Antal/Quantity				Art nr Part No	Benämning	Description	Sats Kit	Anmärkning Notes
	6311 6379 -31								
	1				1134-1730-01	Spännhjulssarm	Tension wheel arm		
	2				1134-3663-01	Spännrulle	Tension wheel		
	3				1134-1888-05	Distans	Spacer		
	4				1134-1893-01	Fjäderfäste	Spring attachment		
	5				9739-1031-22	Mutter	Nut		
	6				9997-1060-12	Skruv	Screw		
	7				9699-0035-02	Planbricka	Flat washer		
	8				1134-5713-01	Dragfjäder	Spring		
	9				1134-9098-01	Drivrem	V-belt		
	10				1137-0004-01	Centrumremskiva kpl.	Centre pulley assy		= 9585-0148-01 Inkl. pos 11-12
	11				1134-0051-09	• Distans	• Spacer		
	12	2			9549-0019-00	• Kullager	• Ball bearing		
	13	1			1134-5548-01	Distans	Spacer		
	14	1			9699-0035-02	Planbricka	Flat washer		
	15	1			1134-0222-00	Bricka	Washer		
	17	1			1134-5663-01	Axel	Shaft		
	18	1			1134-0052-00	Lagerdistans	Bearing spacer		
	19	1			1137-0004-01	Centrumremskiva kpl.	Centre pulley assy		Inkl. pos 20-21
	20	1			1134-0051-09	• Distans	• Spacer		
	21	2			9549-0019-00	• Kullager	• Ball bearing		
	22	1			9997-1011-06	Skruv	Screw		
	23	2			9699-0030-02	Planbricka	Flat washer		
	24	1			9739-1031-22	Mutter	Nut		
X	28	1			1137-0386-01	Spännarm	Tension arm		
	29	1			1134-5823-01	Spännrulle	Tension roller		
	30	1			9997-1050-16	Skruv	Screw		
	31	1			9739-1031-22	Mutter	Nut		
	32	1			1134-6314-01	Spännarmsfäste	Attachment		
	33	1			9997-0645-12	Skruv	Screw		
	34	1			9747-0631-02	Låsmutter	Lock nut		
	35	1			1134-5824-01	Fjäder	Spring		
X	40	1			1137-0353-01	Bricka (plast)	Washer (plastic)		26x50x2 17.1x25x5 17x30x3
	41	1			1134-0052-00	Lagerdistans	Bearing spacer		
	42	1			9699-0104-02	Bricka	Washer		
X	43	1			1137-0419-01	Fjäderfäste	Bracket		
	44	2			9945-0816-16	Skruv	Screw		
X	50	1			1137-0395-01	Fäste	Bracket		
	51	2			9997-1020-16	Skruv	Screw		
	52	2			9739-1031-22	Mutter	Nut		