

Genuine Spare Parts

www.stiga.com

TITAN - Base Machine Model Year 2011

Contains sections:

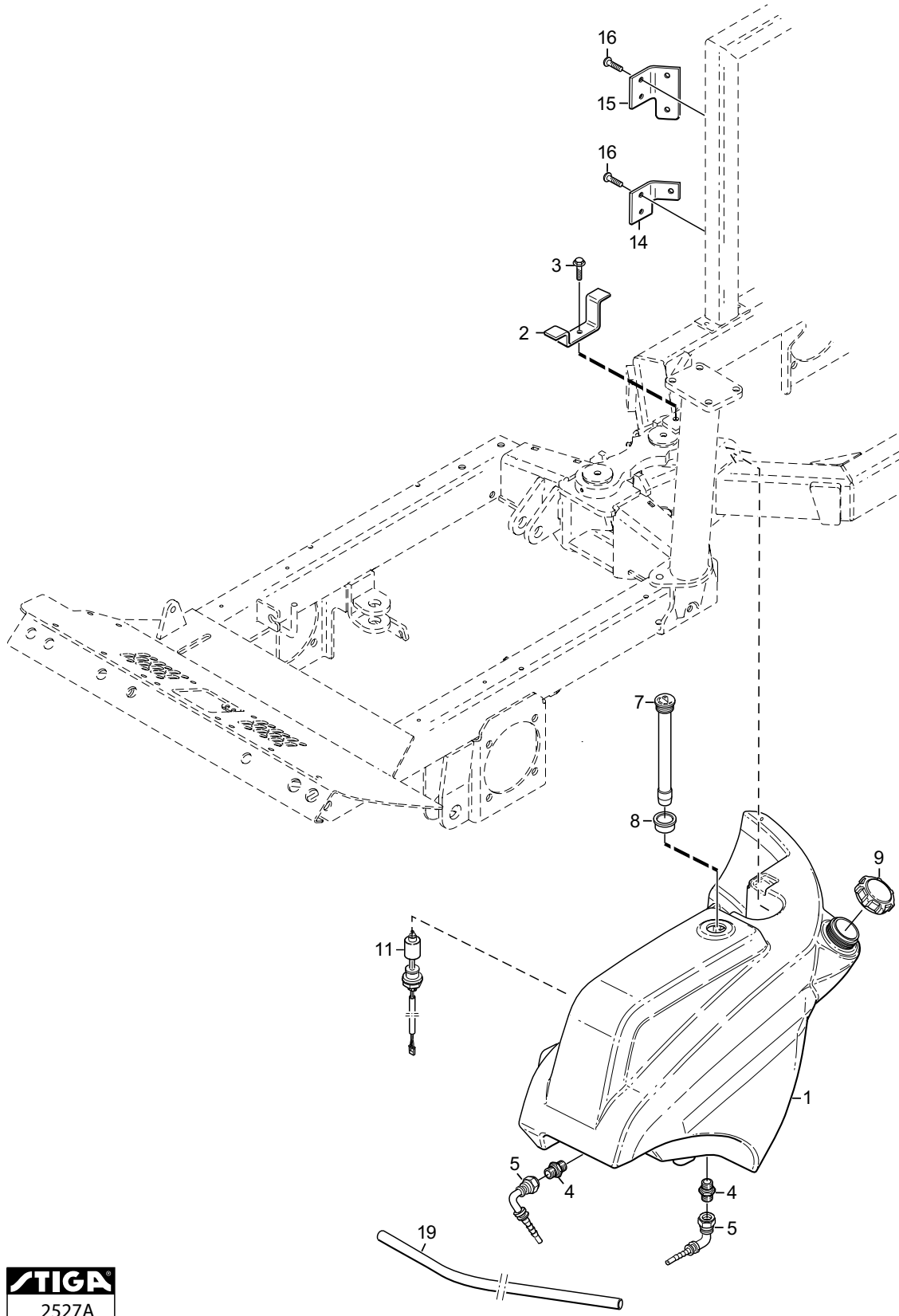
- fuel tank
- 26H, engine
- 32H, engine
- hydropump
- transmission
- collector block
- oil tank
- power take-off
- cabin and AC

- Use GLOBAL GARDEN PRODUCT Genuine Spare Parts specified in the parts list for repair and/or replacement.
- The contents described in the parts list may change due to improvement.
- The drawings of the spare parts are only indicative and might not represent the part in question exactly.
- The indications "right" - "left" - "front" - "rear" refer to the position of the operator when using the machine.
- When placing orders of parts for repair and/or replacement, make sure that the illustrated parts list is the one applying to the machine's year of manufacture, as shown on the identification plate attached to the machine.

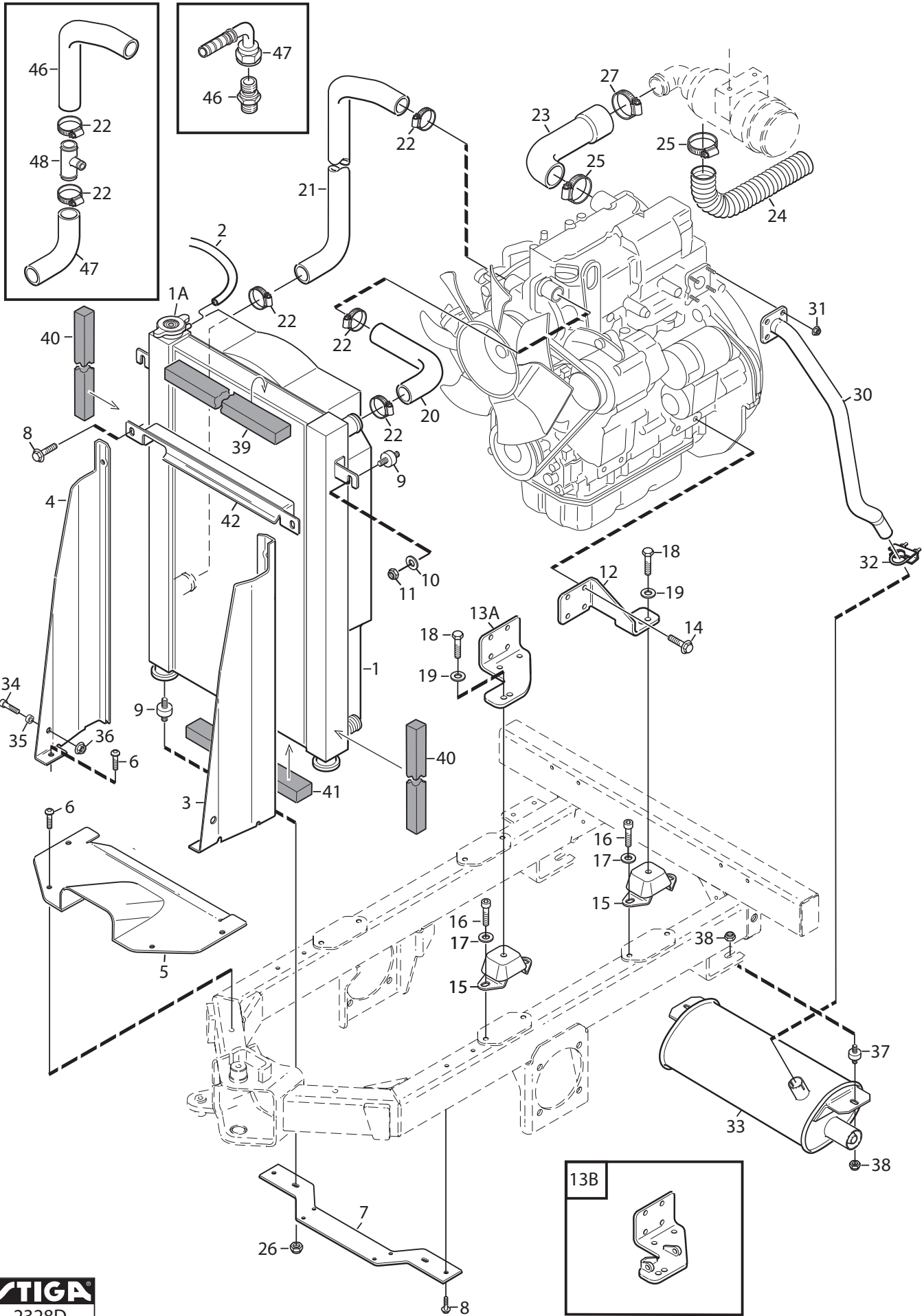
COPYRIGHT by GLOBAL GARDEN PRODUCTS

All rights reserved. No part of this material may be reproduced or transmitted, in any form or by any means, electronic or mechanical, including photocopying, recording or by any information storage and retrieval system, without permission in writing from GLOBAL GARDEN PRODUCTS.

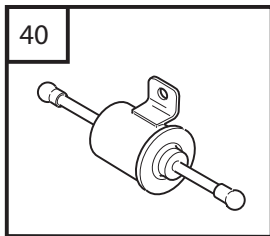
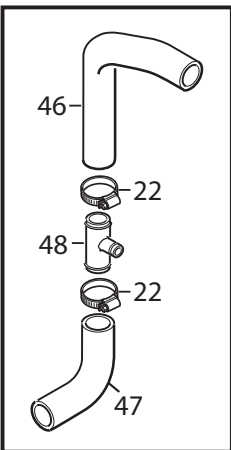
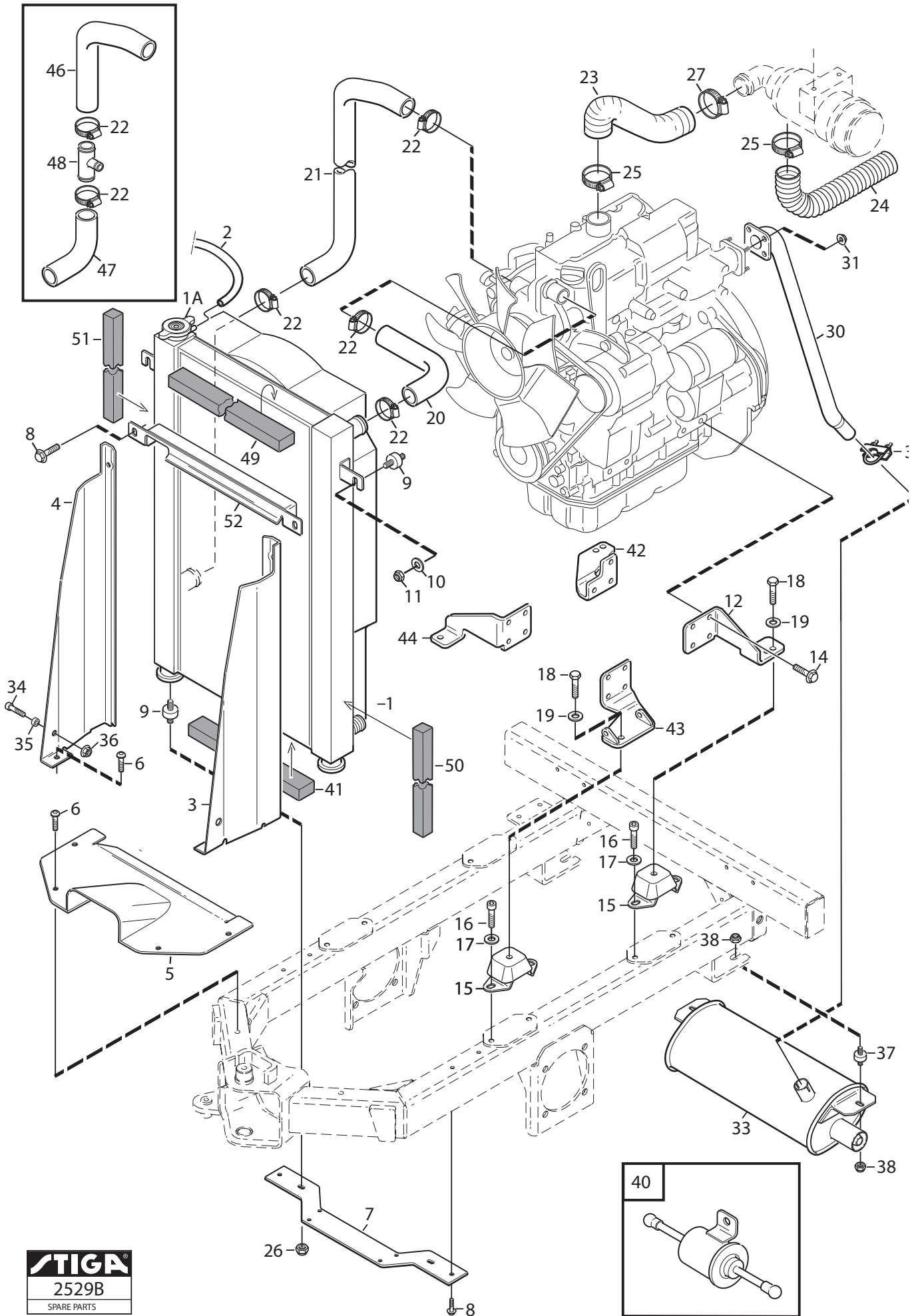




Utgåva Issue		Bildnr Picture No		TITAN BRÄNSLETANK			FUEL TANK		Sida Page	
2011-16		2527A							34	
Pos. Fig.	Antal/Quantity			Art nr Part No	Benämning	Description	Sats Kit	Anmärkning Notes		
	7434 7435	7440 7441 7442								
1	1	1		1135-2482-01	Bränsletank	Fuel tank				
2	1	1		1135-2522-01	Tankbygel	Fuel tank clamp				
3	1	1		9945-0816-16	Skruv	Screw				
4	2	2		1134-4282-01	Nippel	Connector				
5	2	2		1135-2796-01	Slangstolpe	Tube connector				
7	1	1		1135-2526-01	Bränslenivågivare	Fuel level indicator				
8	1	1		1135-2528-01	Gummimanschett	Rubber sleeve				
9	1	1		1135-3381-01	Tanklock	Fuel tank cap				
11	1	1		1135-2586-01	Bränslenivåvakt	Fuel level sensor				
12	3	3		9579-0015-01	Buntband	Cable tie				
13	3	3		9579-0014-01	Buntbandsfäste	Cable tie bracket				
14	2			1134-7211-01	Filterfäste	Filter bracket				
14		1		1134-7211-02	Filterfäste	Filter bracket				
15		1		1135-2739-01	Fäste-bränslepump	Bracket-fuel pump				
16	4	4		9893-0616-16	Skruv	Screw				
17	2	2		9997-0865-12	Skruv	Screw				
18	2	2		9747-0831-02	Mutter	Nut				
19	1,45			9505-0002-01	Slang	Fuel hose		Meter		
19	0,29			9505-0002-01	Slang	Fuel hose		Meter		
19	0,45			9505-0002-01	Slang	Fuel hose		Meter		
19	0,22			9505-0002-01	Slang	Fuel hose		Meter		
19	1,8			9505-0002-01	Slang	Fuel hose		Meter		
19		1,8		9505-0002-01	Slang	Fuel hose		Meter		
19		0,24		9505-0002-01	Slang	Fuel hose		Meter		
19		0,6		9505-0002-01	Slang	Fuel hose		Meter		
19		0,24		9505-0002-01	Slang	Fuel hose		Meter		
20	12	12		9578-0023-02	Slangklämna	Hose clamp				

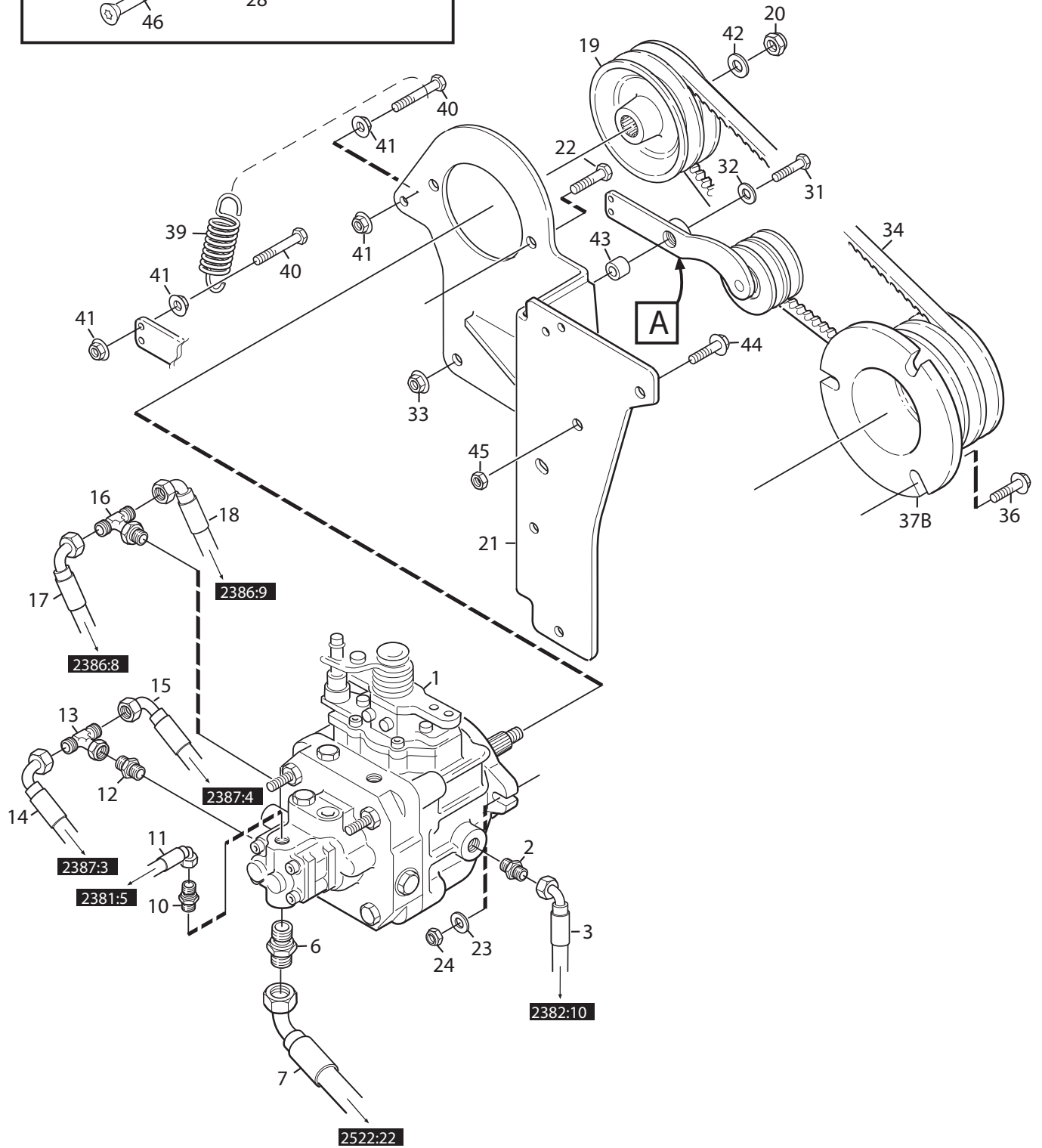
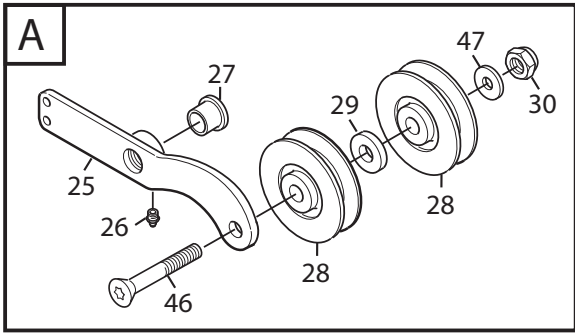


Utgåva Issue		Bildnr Picture No		TITAN 26H MOTOR ENGINE			Sida Page	
2011-16		2328C					36	
Pos. Fig.	Antal/Quantity			Art nr Part No	Benämning	Description	Sats Kit	Anmärkning Notes
	7434	7434						
x 1	1			1135-3681-01	Vatten/Olje Kylare	Water/Oil cooler		
2	0,36			9505-0002-01	Slang	Tube		Meter
3	1			1135-3687-02	Sidoplåt-vä	Side plate-LH		
4	1			1135-3684-01	Sidoplåt-hö	Side plate-RH		
5	1			1135-3688-01	Bottenplåt	Bottom plate		
6	10			9893-0616-16	Skruv	Screw		
7	1			1134-7340-01	Konsol-kylare	Bracket-cooler		
8	2			9945-0816-16	Skruv	Screw		
9	4			9550-0008-02	Vibrationsdämpare	Vibration damper		
10	2			9699-0056-02	Bricka	Washer		
11	2			9747-0831-02	Mutter	Nut		
12	1			1134-6986-01	Motorfäste-bak	Engine bracket-rear		
13A	1			1135-3077-01	Motorfäste	Engine bracket		
13B	2			1135-6996-02	Motorfäste-bak	Engine bracket-rear		
14	16			9959-1030-16	Skruv	Screw		
15	4			1134-7210-01	Motorkudde	Engine cushion		
16	8			9939-1020-16	Skruv	Screw		
17	8			9699-0035-02	Bricka	Washer		
18	4			9997-1225-16	Skruv	Screw		
19	4			9699-0036-02	Bricka	Washer		
20	1			1134-7437-01	Kylarslang	Cooling hose		
21	1			1134-7438-01	Kylarslang	Cooling hose		
22	4			9578-0032-01	Slangklämma	Hose clamp		
23	1			1134-7439-01	Insugningsslang	Air intake hose		
24	1			1134-7460-01	Slang	Hose		
25	2			087-510-01	Slangklämma	Hose clamp		
26	2			9739-0831-22	Mutter	Nut		
27	1			085-018-01	Slangklämma	Hose clamp		
30	1			1134-6980-01	Avgasrör (Ø 32 mm)	Exhaust tube (Ø 32 mm) ...		- 090129
30	1			1134-6980-02	Avgasrör (Ø 38 mm)	Exhaust tube (Ø 38 mm) ...		090130 -
31	4			9739-0831-22	Mutter	Nut		
32	1			9578-0011-01	Rörklämma	Tube clamp		- 090129
32	1			084-351-01	Rörklämma	Tube clamp		090130 -
33	1			1134-6988-01	Ljuddämpare	Muffler		- 090129 (intake Ø 32 mm)
33	1			1135-3125-01	Ljuddämpare	Muffler		090130 - (intake Ø 38 mm)
34	2			9939-1020-16	Skruv	Screw		
35	2			1134-0041-10	Distans	Spacer		
36	2			9739-1031-22	Mutter	Nut		
37	2			9550-0008-01	Vibrationsdämpare	Vibration damper		
38	4			9747-0831-02	Mutter	Nut		
39	0,38			084-239-01	Tätninglist	Seal strip		Meter
40	0,48			084-239-01	Tätninglist	Seal strip		Meter
41	0,32			084-239-01	Tätninglist	Seal strip		Quantity/meter
42	1			1135-3690-01	Plåt övre	Upper sheet		
46	1			1135-3169-01	Adapter	Tube fitting		with cabin/med hytt
47	1			1135-3170-01	Slangstolpe	Tube connector		with cabin/med hytt
48	1			532-335-01	T-stycke	T-connection		with cabin/med hytt
49	1			1135-3686-01	Kylarslang	Cooling hose		with cabin/med hytt
50	1			1135-3686-02	Kylarslang	Cooling hose		with cabin/med hytt

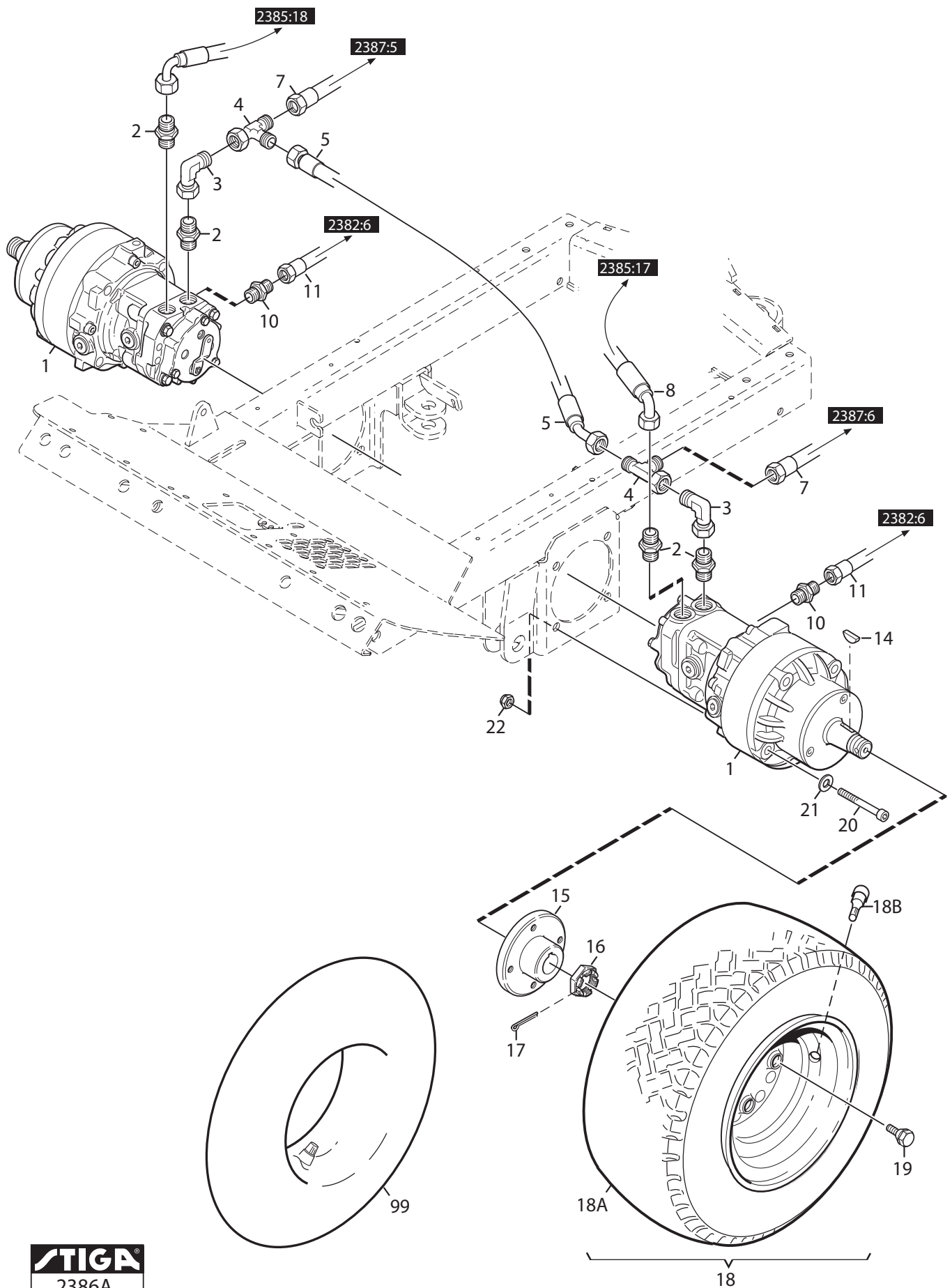


STIGA
2529B
SPARE PARTS

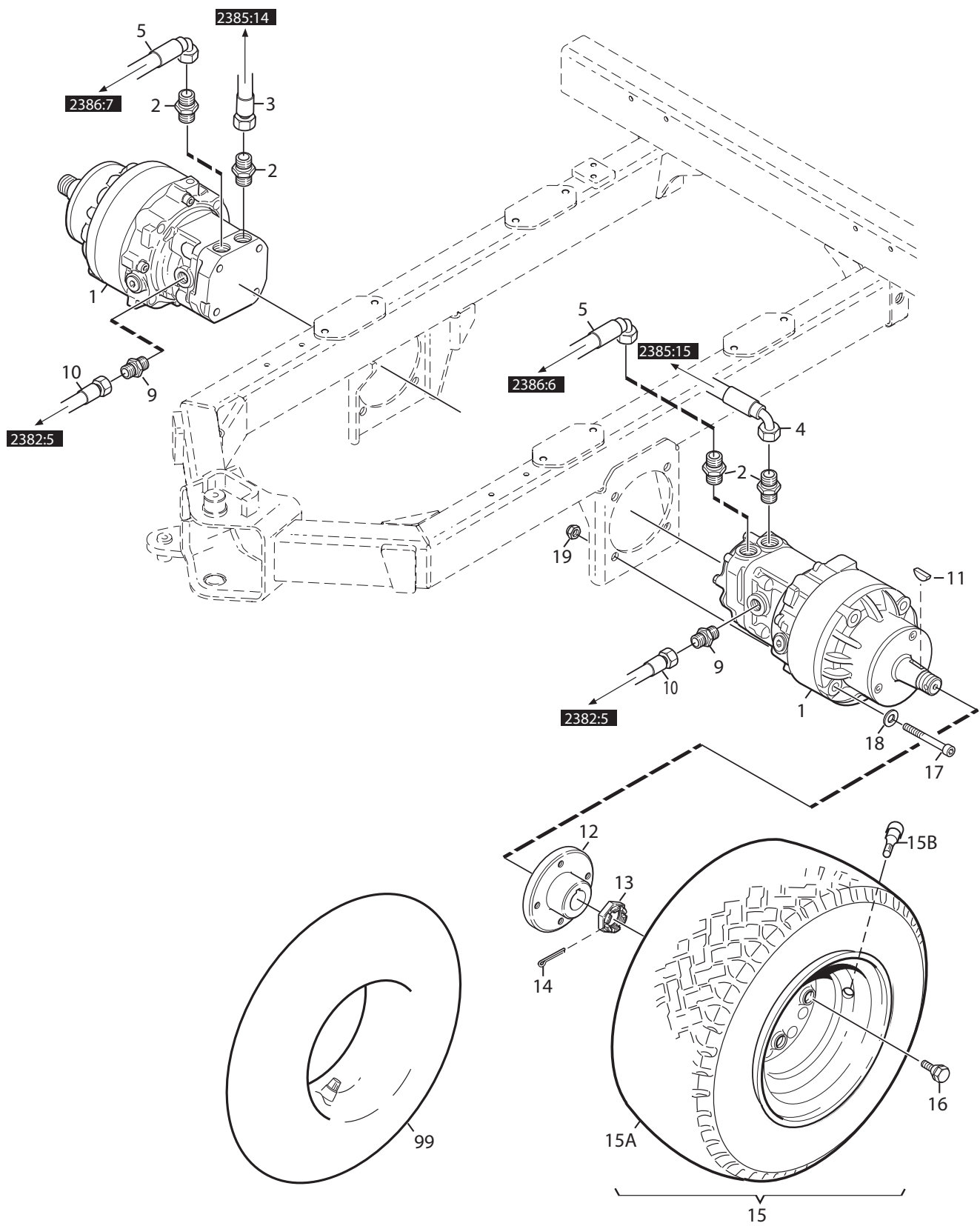
Utgåva Issue	Bildnr Picture No	TITAN 32H MOTOR ENGINE				Sida Page			
2011-16	2529A					38			
Pos. Fig.	Antal/Quantity				Art nr Part No	Benämning	Description	Sats Kit	Anmärkning Notes
	7440	7441	7442						
1	1				1135-3681-01	Vatten/Olje kylare	Water/Oil cooler		
2	0,36				9505-0002-01	Slang	Tube		Meter
3	1				1135-3687-02	Sidoplåt-vä	Side plate-LH		
4	1				1135-3687-01	Sidoplåt-hö	Side plate-RH		
5	1				1135-3688-01	Bottenplåt	Bottom plate		
6	9				9893-0616-16	Skruv	Screw		
7	1				1134-7340-01	Konsol-kylare	Bracket-cooler		
8	2				9945-0816-16	Skruv	Screw		
9	4				9550-0008-02	Vibrationsdämpare	Vibration damper		
10	2				9699-0056-02	Bricka	Washer		
11	2				9747-0831-02	Mutter	Nut		
12	1				1135-3690-01	Plåt, övre	Upper sheet		
14	16				9959-1025-16	Skruv	Screw		
15	4				1134-7210-01	Motorkudde	Engine cushion		
16	8				9939-1020-16	Skruv	Screw		
17	8				9699-0035-02	Bricka	Washer		
18	4				9997-1225-16	Skruv	Screw		
19	4				9699-0036-02	Bricka	Washer		
20	1				1134-7437-02	Kylarslang	Cooling hose		
21	1				1135-3685-01	Kylarslang	Cooling hose		w/o cabin/utan hytt
22	4				9578-0032-01	Slangklämma	Hose clamp		D32 - 44
23	1				1135-2530-01	Insugningsslang	Air intake hose		
24	1				1134-7460-02	Slang	Hose		
25	2				087-510-01	Slangklämma	Hose clamp		D44 - 56
26	2				9739-0831-22	Mutter	Nut		
27	1				085-018-01	Slangklämma	Hose clamp		D50 - 65
30	1				1134-7682-02	Avgasrör (Ø 38 mm)	Exhaust tube (Ø 38 mm)		
31	4				9739-0831-22	Mutter	Nut		
32	1				084-351-01	Rörklämma	Tube clamp		
33	1				1135-3125-01	Ljuddämpare	Muffler		Intake/inlopp Ø38 mm
34	2				9939-1020-16	Skruv	Screw		
35	2				1134-0041-10	Hylsa	Collar		
36	2				9739-1031-22	Mutter	Nut		
37	2				9550-0008-02	Vibrationsdämpare	Vibration damper		
38	4				9747-0831-02	Mutter	Nut		
41	1				1135-2490-01	Motorfäste vä-bak	Engine bracket LH-rear		
42	1				1135-2490-03	Motorfäste hö-bak	Engine bracket RH-rear		
43	1				1135-2499-01	Motorfäste vä-fram	Engine bracket LH-front		
44	1				1135-2994-01	Motorfäste hö-fram	Engine bracket RH-front		
46	1				1135-3685-01	Kylarslang	Cooling hose		with cabin/med hytt
47	1				1135-3685-02	Kylarslang	Cooling hose		with cabin/med hytt
48	1				532-335-01	T-stycke	T-connection		with cabin/med hytt
49	0,38				084-239-01	Tätninglist	Seal strip		Meter
50	0,48				084-239-01	Tätninglist	Seal strip		Meter
51	0,32				084-239-01	Tätninglist	Seal strip		
52	1				1135-3690-01	Plåt-övre	Upper sheet		



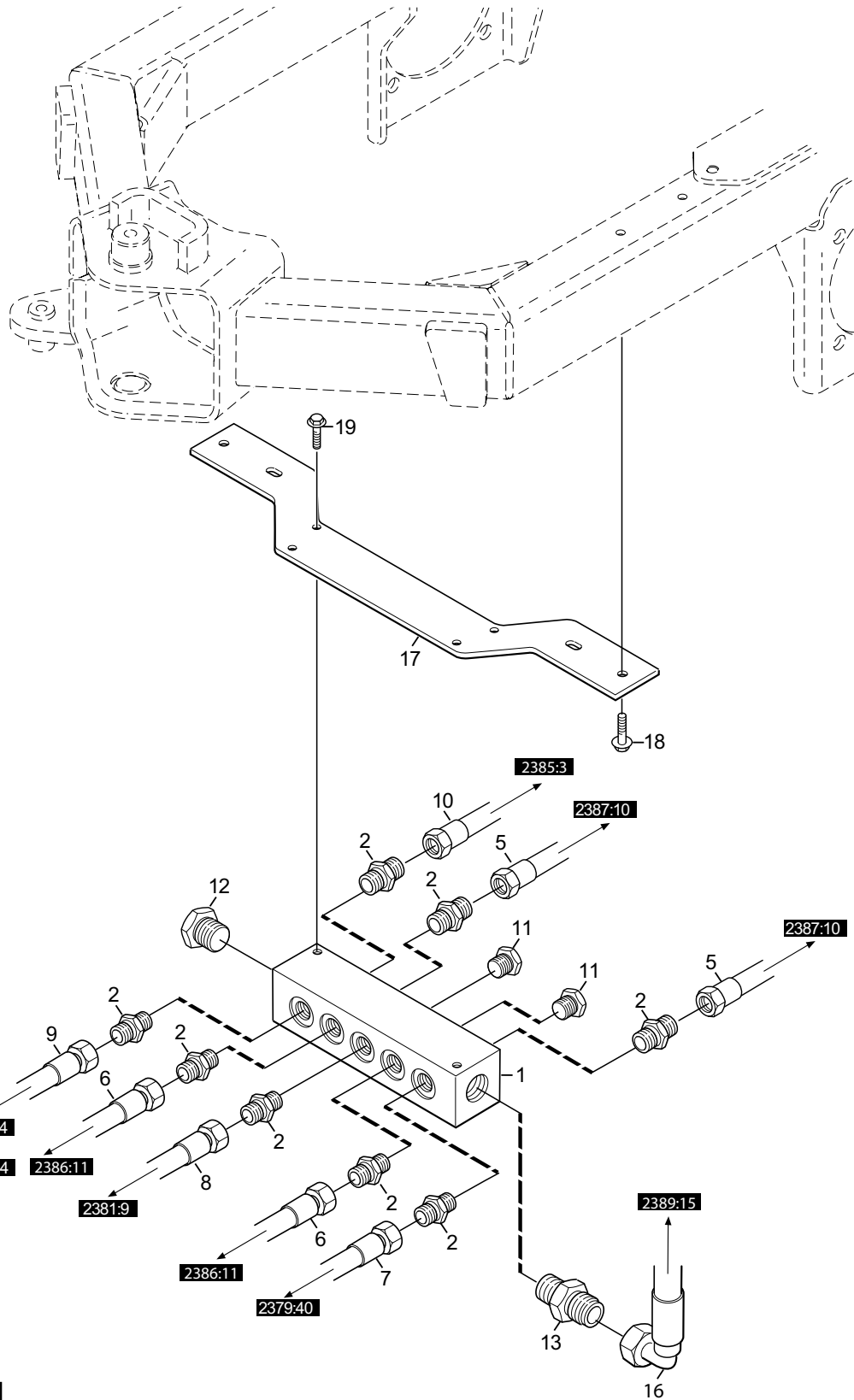
Utgåva Issue		Bildnr Picture No		TITAN HYDROSTATPUMP		HYDRO PUMP		Sida Page	
2011-16		2385B						40	
Pos. Fig.	Antal/Quantity			Art nr Part No	Benämning	Description	Sats Kit	Anmärkning Notes	
	7434 7435	7440 7441 7442							
x	1	1	1	1135-3785-01	Hydraulpump	Hydraulic pump			
	2	1	1	1134-5809-01	Adapter	Hydraulic coupling.....			
x	3	1	1	1137-0195-10	Hydraulslang.....	Hydraulic tube.....			
	6	1	1	1134-7187-01	Adapter	Hydraulic coupling.....			
	7	1	1	1134-7446-01	Slangstolpe	Tube coupling			
	8	1	1	9578-0031-01	Slangklämma	Hose clamp.....			
	9	1	1	1134-7136-01	Hydraulslang (L=930).....	Hydraulic tube (L=930)		Use/anv 1134-7136-04	
	10	1	1	1134-4282-01	Adapter	Hydraulic coupling.....			
	11	1	1	1134-7135-01	Hydraulslang 3/8".....	Hydraulic tube 3/8".....			
	12	1	1	082-457-01	Adapter	Hydraulic coupling.....			
	13	2	2	082-766-01	L-koppling	L-coupling.....			
x	14	1	1	1137-0218-11	Hydraulslang 1/2".....	Hydraulic tube 1/2".....			
x	15	1	1	1137-0221-10	Hydraulslang 1/2".....	Hydraulic tube 1/2".....			
x	16	1	1	1135-3794-01	T-koppling	T-coupling			
x	17	1	1	1137-0221-12	Hydraulslang 1/2".....	Hydraulic tube 1/2".....			
x	18	1	1	1137-0221-11	Hydraulslang 1/2".....	Hydraulic tube 1/2".....			
	19	1	1	1134-6968-01	Remskiva-pump.....	Belt pulley-pump			
	20	1	1	9747-1231-02	Mutter	Nut.....			
	21	1	1	1134-7738-01	Pumpfäste	Pump bracket			
	22	2	2	9997-1035-16	Skruv.....	Screw.....			
	23	2	2	9699-0030-02	Bricka	Washer.....			
	24	2	2	9747-1031-02	Mutter	Nut.....			
	25	1	1	1135-3753-01	Spännarm	Tension arm.....			
	26	1	1	9501-0500-00	Smörjnippel	Grease nipple			
	27	1	1	9544-0002-01	Glidlager	Bearing			
	28	2	2	1134-6329-02	Spännrulle.....	Tension roller			
	29	1	1	9699-0035-02	Bricka	Washer.....			
	30	1	1	9747-1031-02	Mutter	Nut.....			
	31	1	1	9997-1040-02	Skruv.....	Screw.....			
	32	1	1	9699-0030-02	Bricka	Washer.....			
	33	1	1	9747-1031-02	Mutter	Nut.....			
	34	1	1	1134-9143-01	Kilrem (sats 2 st)	V-belt (kit of 2 pcs.)		9585-0193-01	
	36	3	3	9997-1225-16	Skruv.....	Screw.....			
	37B	1		1135-2783-01	Motorremskiva	Engine belt pulley			
	37B		1	1135-2518-01	Motorremskiva	Engine belt pulley			
	39	1	1	1134-4232-01	Dragfjäder.....	Spring.....			
	40	2	2	9997-0835-12	Skruv.....	Screw.....			
	41	4	4	9739-0831-22	Mutter	Nut.....			
	42	1	1	9699-0036-02	Bricka	Washer.....			
	43	1	1	1134-7220-03	Distans	Spacer.....			
	44	3	3	9959-1025-16	Skruv.....	Screw.....			
	45	1	1	9747-1031-02	Mutter	Nut.....			
	46	1	1	9924-1060-19	Skruv.....	Screw.....			
	47	1	1	9699-0035-02	Bricka	Washer.....			
	48	1	1	9699-0100-02	Bricka	Washer.....			
	49	1	1	9997-0616-16	Skruv.....	Screw.....			



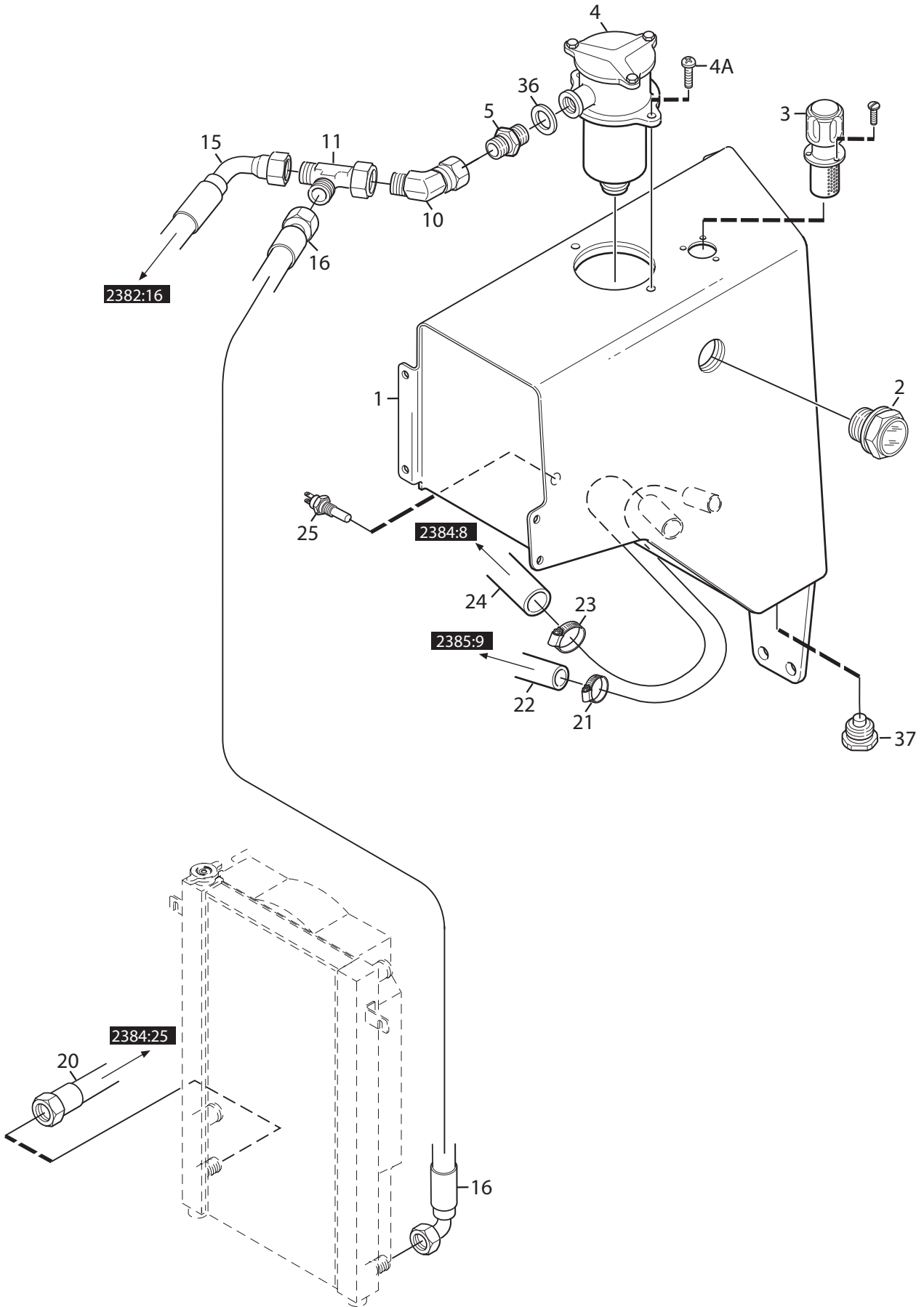
Utgåva Issue		Bildnr Picture No		TITAN HJULMOTOR-FRAM			WHEEL ENGINES-FRONT		Sida Page	
2011-16		2386A							42	
Pos. Fig.	Antal/Quantity			Art nr Part No	Benämning	Description	Sats Kit	Anmärkning Notes		
	7434 7435	7440 7441 7442								
x	1	2	2	1135-2825-02	Hydraulmotor	Hydraulic motor				
	2	4	4	1134-7161-01	Adapter	Hydraulic coupling.....				
	3	2	2	1134-7163-01	Kompvinkel	Hydraulic coupling.....				
	4	2	2	1134-7164-01	L-koppling	L-coupling.....				
x	5	1	1	1137-0213-03	Hydraulslang 1/2".....	Hydraulic tube 1/2".....				
x	7	2	2	1137-0218-02	Hydraulslang 1/2".....	Hydraulic tube 1/2".....				
x	8	1	1	1137-0021-12	Hydraulslang 1/2".....	Hydraulic tube 1/2".....				
x	9	1	1	1137-0221-11	Hydraulslang 1/2".....	Hydraulic tube 1/2".....				
	10	2	2	1134-7156-01	Adapter	Hydraulic coupling.....				
	11	2	2	1137-0194-03	Hydraulslang 3/8".....	Hydraulic tube.....				
	14	2	2	1134-6996-01	Kil	Key				
	15	2	2	1134-6971-01	Nav	Hub.....				
	16	2	2	9781-2431-32	Kronmutter	Nut.....				
	17	2	2	9599-0101-02	Saxpinne	Cotter pin				
	18	2		1134-7308-01	Hjul kpl 20"	Wheel assy 20"		Pos 18A - 18B incl. Pos 18A - 18B incl.		
	18		2	1134-7310-01	Hjul kpl 23"	Wheel assy 23"				
	18A	1		9545-0127-01	.Däck.....	.Tire		20 x 10 - 10		
	18A		1	9545-0129-01	.Däck.....	.Tire		23 x 10,5 - 12		
	18B	1	1	9545-0500-00	.Ventil.....	.Valve				
	19	8	8	1134-7041-01	Hjulbult	Wheel bolt.....				
	20	8	8	9939-1213-02	Skruv.....	Screw.....				
	21	8	8	9699-0036-02	Bricka	Washer.....				
	22	8	8	9747-1231-02	Mutter	Nut.....				
	99	x		9545-0211-01	Innerslang för 20".....	Inner tube for 20".....		Only as spare part Only as spare part		
	99	x		9545-0212-01	Innerslang för 23".....	Inner tube for 23".....				



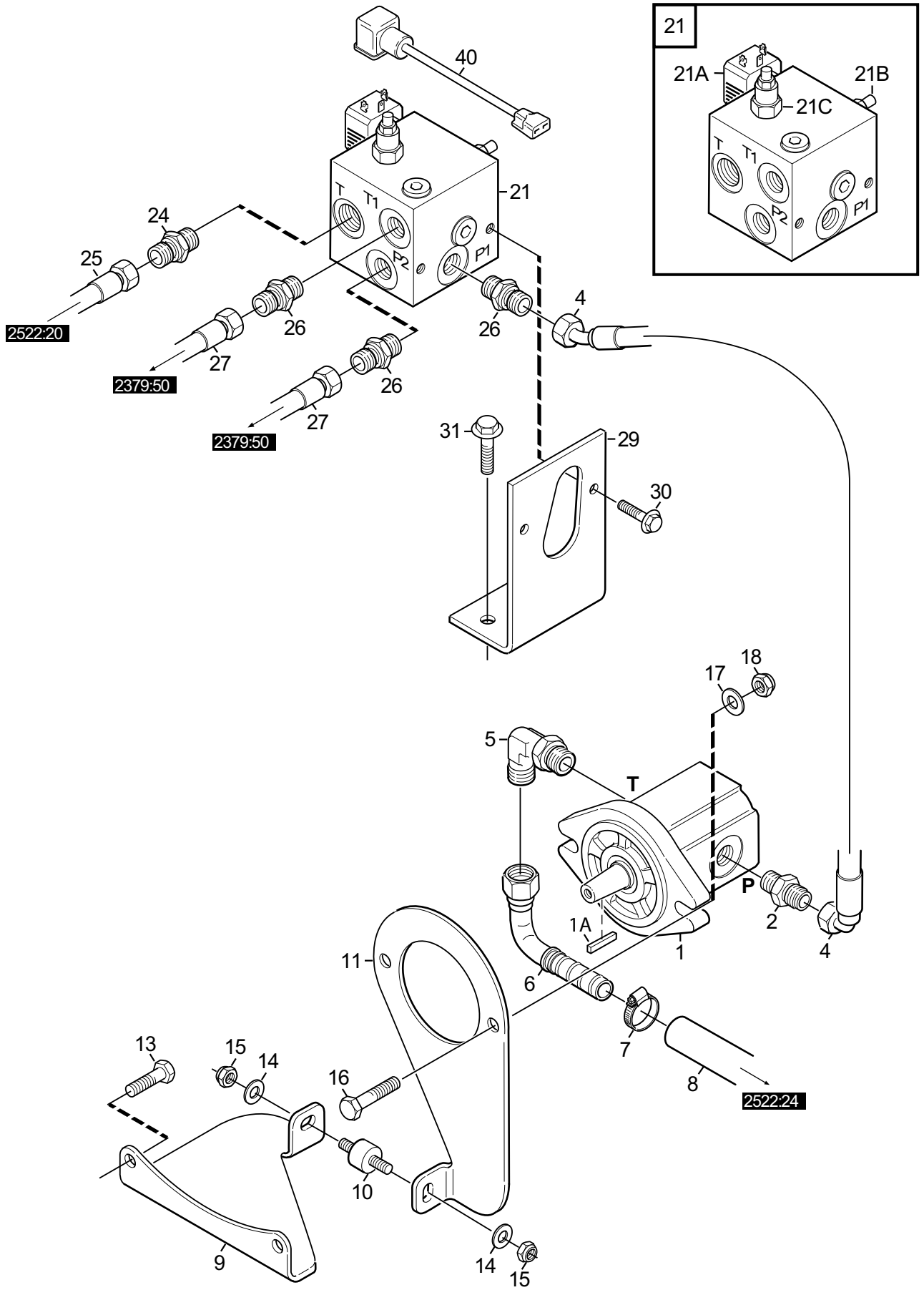
Utgåva Issue		Bildnr Picture No		TITAN HJULMOTOR-BAK WHEEL ENGINES-REAR			Sida Page	
2011-16		2387A					44	
Pos. Fig.	Antal/Quantity			Art nr Part No	Benämning	Description	Sats Kit	Anmärkning Notes
	7434 7435	7440 7441 7442						
	1	2	2	1135-7016-02	Hydraulmotor	Hydraulic motor		
	2	4	4	1134-7161-01	Adapter	Hydraulic coupling.....		
x	3	1	1	1137-0218-11	Hydraulslang 1/2".....	Hydraulic tube 1/2".....		
x	4	1	1	1137-0221-10	Hydraulslang 1/2".....	Hydraulic tube 1/2".....		
x	5	2	2	1137-0218-02	Hydraulslang 1/2".....	Hydraulic tube 1/2".....		
	9	2	2	1134-7156-01	Adapter	Hydraulic coupling.....		
	10	2	2	1137-0194-02	Hydraulslang.....	Hydraulic tube.....		
	11	2	2	1134-6996-01	Kil	Key		
	12	2	2	1134-6971-01	Nav	Hub.....		
	13	2	2	9781-2431-32	Kronmutter	Nut.....		
	14	2	2	9599-0101-02	Saxpinne	Cotter pin		
	15	2		1134-7308-01	Hjul kpl 20".....	Wheel assy 20"		Pos 15A - 15B incl.
	15	2		1134-7310-01	Hjul kpl 23".....	Wheel assy 23"		Pos 15A - 15B incl.
	15A	1		9545-0127-01	.Däck.....	.Tire		20 x 10 - 10
	15A		1	9545-0129-01	.Däck.....	.Tire		23 x 10,5 - 12
	15B	1	1	9545-0500-00	.Ventil.....	.Valve		
	16	8	8	1134-7041-01	Hjulbult.....	Wheel bolt.....		
	17	8	8	9939-1213-02	Skruv.....	Screw.....		
	18	8	8	9699-0036-02	Bricka	Washer.....		
	19	8	8	9747-1231-02	Mutter	Nut.....		
	99	x		9545-0211-01	Innerslang för 20".....	Inner tube for 20".....		Only as spare part
	99		x	9545-0212-01	Innerslang för 23".....	Inner tube for 23".....		Only as spare part



Utgåva Issue		Bildnr Picture No		TITAN UPPSAMLINGSBLOCK COLLECTING BLOCK			Sida Page	
2011-16		2382A					46	
Pos. Fig.	Antal/Quantity			Art nr Part No	Benämning	Description	Sats Kit	Anmärkning Notes
	7434 7435	7440 7441 7442						
	1	1	1	1134-7202-02	Uppsamlingsblock	Collector block		
	2	8	8	1134-7156-01	Adapter	Hydraulic coupling		
x	5	2	2	1137-0194-02	Hydraulslang	Hydraulic tube		3/8"
x	6	1	1	1137-0194-03	Hydraulslang	Hydraulic tube		3/8"
x	7	1	1	1137-0194-05	Hydraulslang	Hydraulic tube		3/8"
x	8	1	1	1137-0194-04	Hydraulslang	Hydraulic tube		3/8"
x	9	1	1	1137-0195-11	Hydraulslang	Hydraulic tube		3/8"
x	10	1	1	1137-0195-10	Hydraulslang	Hydraulic tube		3/8"
	11	2	2	1134-7453-01	Plugg	Plug		
	12	1	1	1134-7174-01	Plugg	Plug		
	13	1	1	1134-7169-01	Adapter	Hydraulic coupling		
	16	1	1	1137-0256-01	Hydraulslang)	Hydraulic tube		
	17	1	1	1134-7340-01	Konsol-kylare	Bracket-cooler		
	18	2	2	9945-0816-16	Skruv	Screw		
	19	2	2	9959-0616-16	Skruv	Screw		

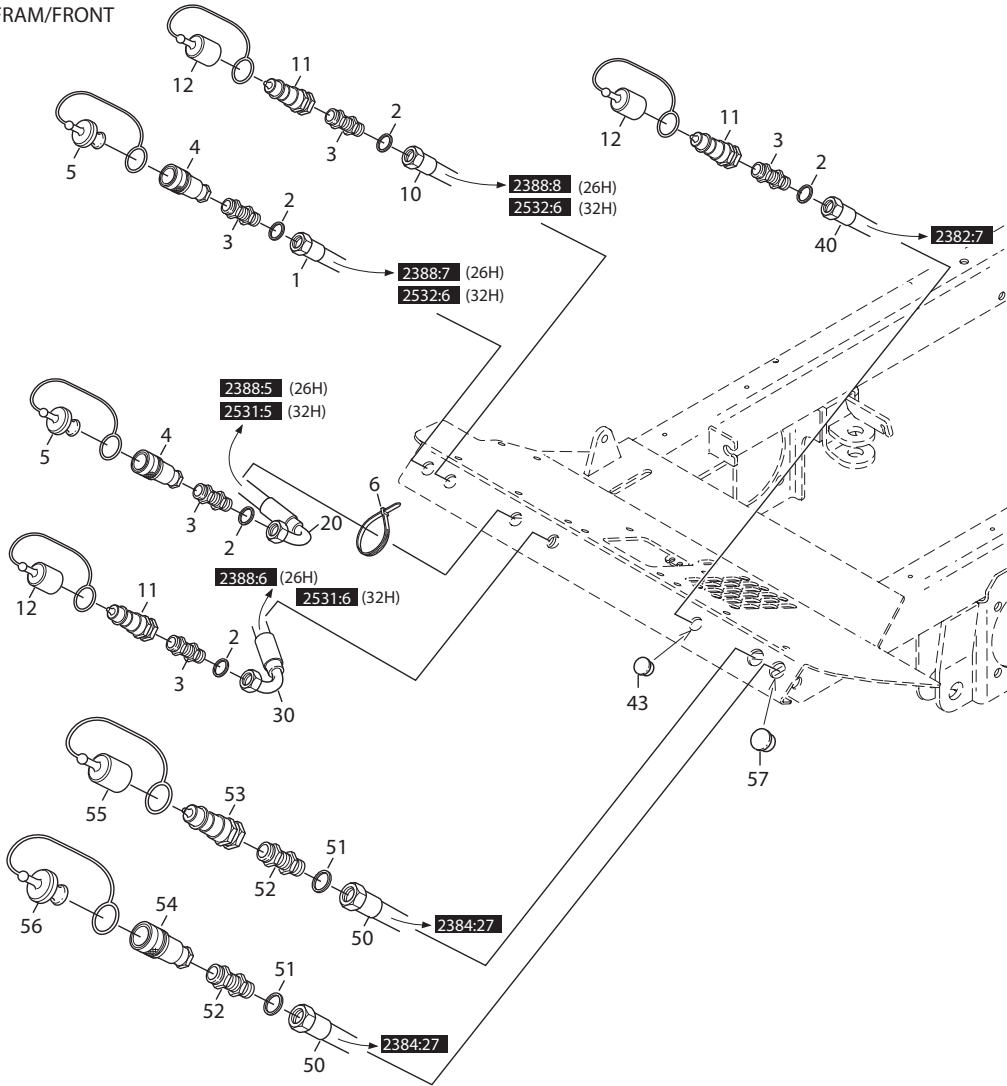


Utgåva Issue		Bildnr Picture No		TITAN OLJETANK			OIL TANK		Sida Page	
2011-16		2522A							48	
Pos. Fig.	Antal/Quantity				Art nr Part No	Benämning	Description	Sats Kit	Anmärkning Notes	
	7434 7435	7440 7441 7442								
	1	1			1134-7115-01	Oljetank	Oil tank.....			
	2	1	1		1134-7379-02	Nivåöga.....	Level eye.....		1"	
	3	1	1		1134-7213-01	Tankventilationsfilter.....	Tank ventilation.....			
x	4	1	1		084-297-01	Returoljeffilter	Oil filter-return.....			
	4A	2	2		9939-0820-16	.Skruv.....	.Screw.....		M8	
	4B	1	1		084-479-01	.FilterinsatsFilter element		Not ill./ej ill (10 my paper)	
	4C	1	1		1139-2087-01	.Fjäder.....	.Spring.....		Not ill./ej ill.	
	4D	1	1		1139-2068-01	O-ringssats.....	Seal kit			
	5	1	1		1134-7169-01	Adapter.....	Hydraulic connector.....			
	10	1	1		084-988-01	Vinkelkoppling 45°.....	Angle connector 45°			
x	11	1	1		1134-7454-01	L-koppling	L-coupling.....			
	15	1	1		1137-0256-01	Hydraulslang.....	Hydraulic hose			
	16	1	1		1135-3610-08	Hydraulslang.....	Hydraulic hose			
x	20	1	1		1137-0194-04	Hydraulslang.....	Hydraulic hose			
	21	1	1		9578-0031-01	Slangklämma	Hose clamp.....			
	22	1	1		1134-7136-01	Hydraulslang (L=930).....	Hydraulic tube (L-930)		Use/anv 1134-7136-04	
	23	1	1		9578-0025-01	Slangklämma	Hose clamp.....			
	24	1	1		1134-7152-01	Hydraulslang 1".....	Hydraulic tube 1".....			
	25	1	1		084-459-02	Temperaturgivare.....	Temperature sensor		95	
	36	1	1		1134-4948-04	Tredobricka.....	Seal washer			
	37	1	1		1135-2936-01	Magnetplugg.....	Magnet plug			

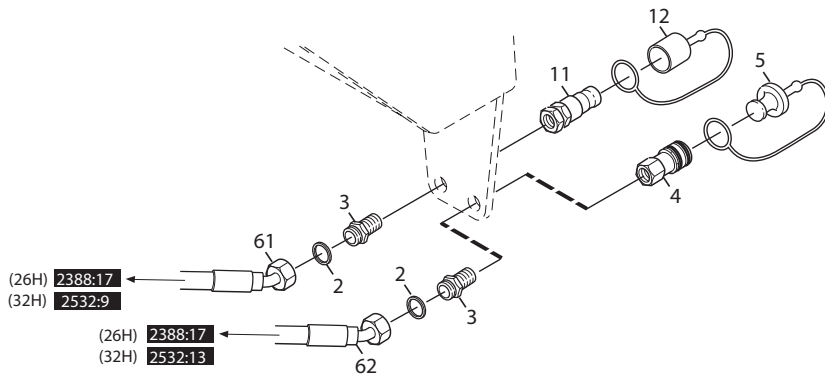


Utgåva Issue		Bildnr Picture No		TITAN KRAFTUTTAG POWER TAKE-OFF			Sida Page	
2011-16		2384B					50	
Pos. Fig.	Antal/Quantity			Art nr Part No	Benämning	Description	Sats Kit	Anmärkning Notes
	7434 7435	7440 7441 7442						
x	1	1	1	1135-2517-01	Hydrostatpump	Hydraulic pump		
	1A	1	1	1139-0006-01	Kil	Key		
	2	1	1	1134-7315-01	Adapter	Hydraulic connector		
x	4	1	1	1137-0222-01	Hydraulslang 1/2"	Hydraulic tube 1/2"		
	5	1	1	1134-7186-01	Adapter	Hydraulic connector		
	6	1	1	1134-7448-01	Slangstolpe	Tube coupling		
	7	1	1	9578-0032-01	Slangklämma	Hose clamp		
	8	1		1134-7152-01	Hydraulslang 1"	Hydraulic tube 1"		
	9	1		1135-2781-01	Fäste	Bracket		
	9		1	1135-2578-01	Fäste	Bracket		
	10	1	1	9550-0008-02	Vibrationsdämpare	Vibration damper		
	11	1	1	1135-2579-01	Arm	Lever		
	13	2	2	9959-1025-16	Skruv	Screw		
	14	2	2	9699-0056-02	Bricka	Washer		
	15	2	2	9747-0831-02	Mutter	Nut		
	16	2	2	9997-1035-16	Skruv	Screw		
	17	2	2	9699-0030-02	Bricka	Washer		
	18	2	2	9747-1031-02	Mutter	Nut		
	21	1	1	1134-7127-01	Ventilblock	Hydraulic valve		
	21A	1	1	1139-2088-01	.Elventil inkl magnetElectric valve w magnet...		
	21B	1	1	1139-2089-01	.Tryckbegr.ventilRelief valve		10 bar
	21C	1	1	1139-2090-01	.Tryckbegr.ventilRelief valve		220 bar
	24	1	1	084-983-01	Adapter	Hydraulic connector		
x	25	1	1	1137-0194-04	Hydraulslang 3/8"	Hydraulic tube 3/8"		
	26	3	3	1134-7161-01	Adapter	Hydraulic connector		
x	27	2	2	1137-0217-01	Hydraulslang 1/2"	Hydraulic tube 1/2"		
	29	1	1	1134-7261-01	Fäste-PTO ventil	Bracket		
	30	2	2	9997-0820-16	Skruv	Screw		
	31	2	2	9945-0825-16	Skruv	Screw		
	32	1	1	1134-4948-04	Tredobricka	Seal washer		
	40	1	1	1134-7225-01	Kablage-PTO	Harness		

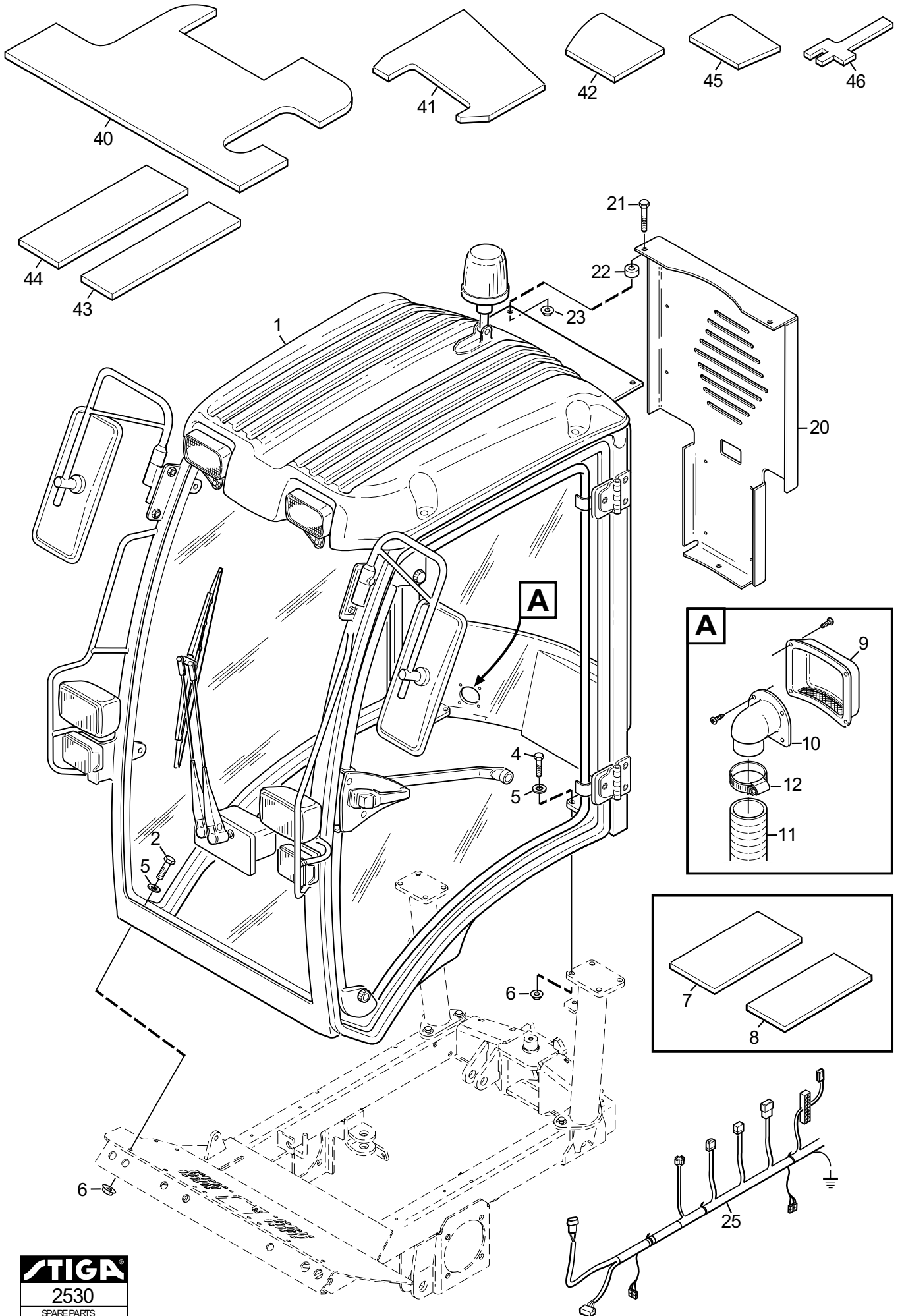
FRAM/FRONT



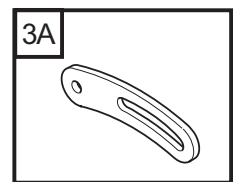
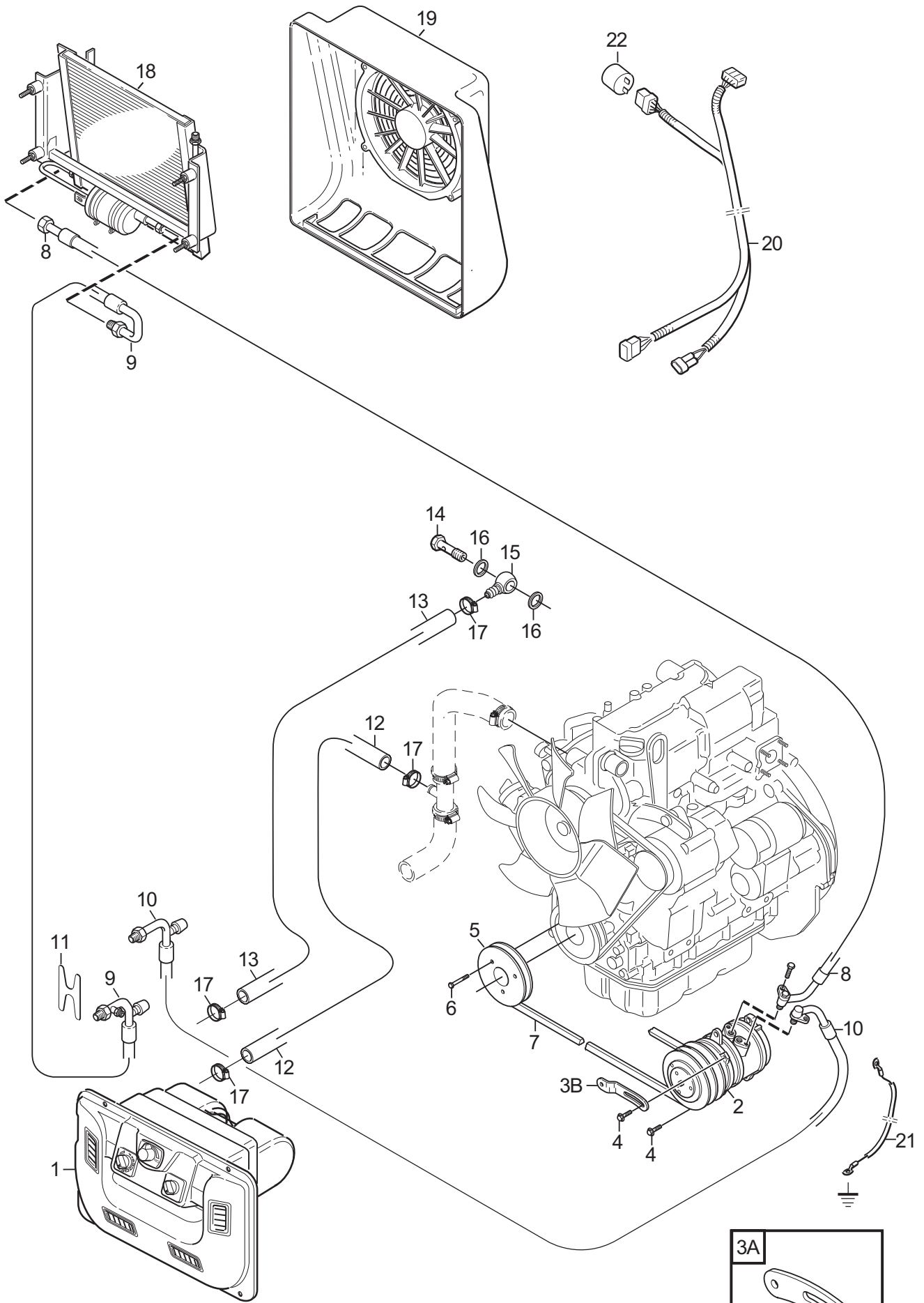
BAK/REAR



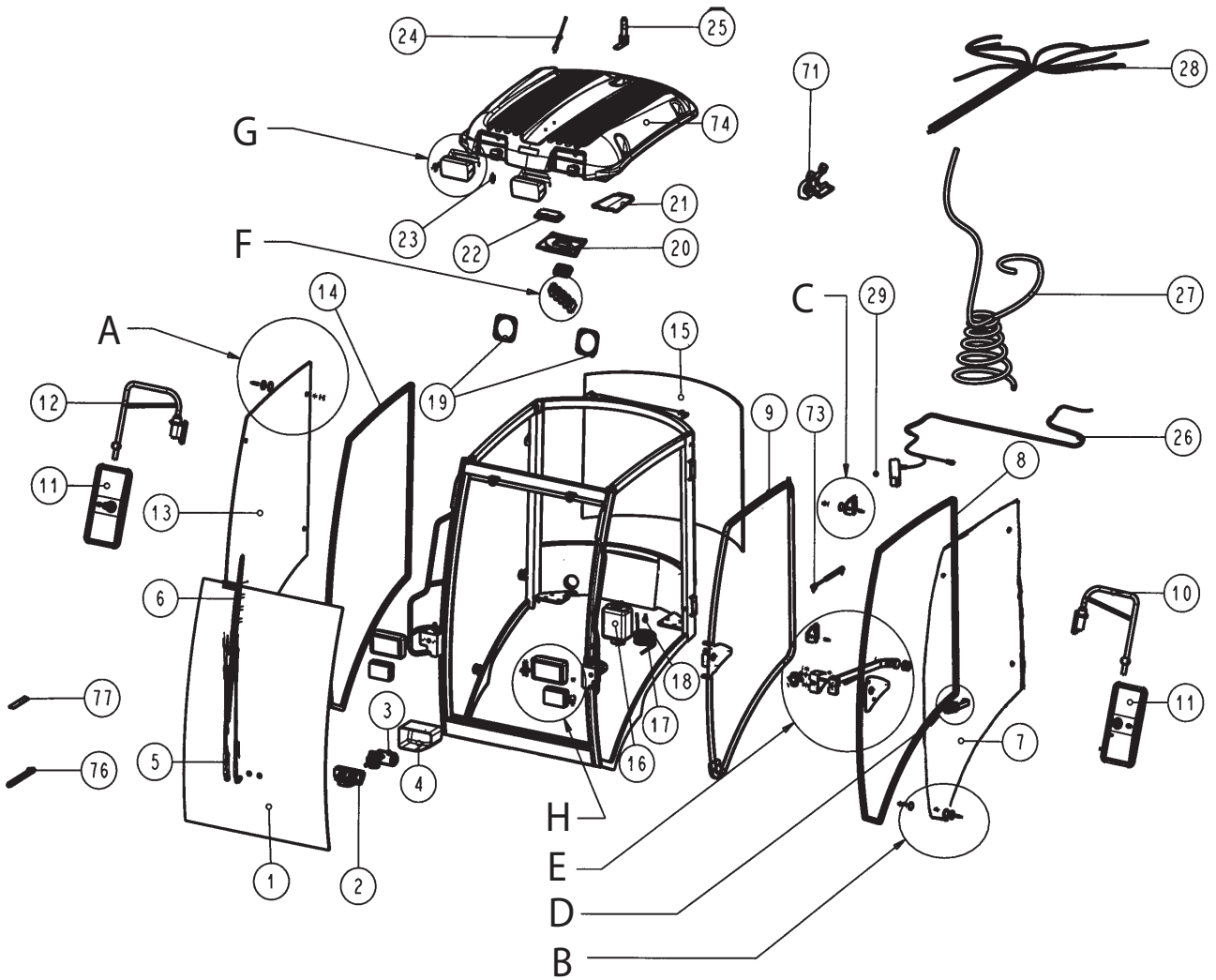
Utgåva Issue		Bildnr Picture No		TITAN KRAFTUTTAG REDSKAPSMANÖVRERING				POWER TAKE-OFF IMPLEMENT CONTROL		Sida Page	
2011-16		2379B								52	
Pos. Fig.	Antal/Quantity			Art nr Part No	Benämning	Description	Sats Kit	Anmärkning Notes			
	7434 7435	7440 7441 7442									
x	1	1		1134-7147-01	Hydraulslang 1/4".....	Hydraulic tube 1/4".....					
	1	1		1137-0184-03	Hydraulslang 1/4".....	Hydraulic tube 1/4".....					
	2	7	7	1134-4948-01	Tredobricka.....	Seal washer.....					
	3	7	7	1134-7296-01	Skottgenomgång.....	Hydraulic coupling.....					
	4	3	3	1134-7172-01	Snabbkoppling-hona.....	Quick coupling-female.....					
	5	3	3	1134-7173-01	Plastpropp.....	Plastic plug.....					
	6	1	1	9579-0016-01	Buntband (gult).....	Cable tie (yellow).....					
	10	1		1134-7158-01	Hydraulslang 1/4".....	Hydraulic tube 1/4".....					
x	10	1	1	1137-0184-03	Hydraulslang 1/4".....	Hydraulic tube 1/4".....					
	11	4	4	1134-6042-01	Snabbkoppling-hane.....	Quick coupling-male.....					
	12	4	4	1134-7175-01	Plasthätta.....	Plastic cap.....					
	20	1	1	1134-7146-01	Hydraulslang 1/4".....	Hydraulic tube 1/4".....					
	30	1	1	1134-7145-01	Hydraulslang 1/4".....	Hydraulic tube 1/4".....					
x	40	1	1	1137-0194-05	Hydraulslang 3/8".....	Hydraulic tube 3/8".....					
x	43			9403-0049-70	Plastpropp.....	Plastic plug.....					
x	50	2	2	1137-0217-01	Hydraulslang 1/2".....	Hydraulic tube 1/2".....					
	51	2	2	1134-4948-03	Tredobricka.....	Seal washer.....					
	52	2	2	1134-7180-01	Skottgenomgång.....	Hydraulic coupling.....					
	53	1	1	1134-7181-01	Snabbkoppling-hane.....	Quick coupling-male.....					
	54	1	1	1134-7182-01	Snabbkoppling-hona.....	Quick coupling-female.....					
	55	1	1	1134-7185-01	Plasthätta.....	Plastic cap.....					
	56	1	1	1134-7184-01	Plastpropp.....	Plastic plug.....					
	61	1		1134-7148-01	Hydraulslang 1/4".....	Hydraulic tube 1/4".....					
x	61		1	1137-0192-01	Hydraulslang 1/4".....	Hydraulic tube 1/4".....					
	62	1		1134-7148-01	Hydraulslang 1/4".....	Hydraulic tube 1/4".....					
x	62		1	1137-0186-01	Hydraulslang 1/4".....	Hydraulic tube 1/4".....					



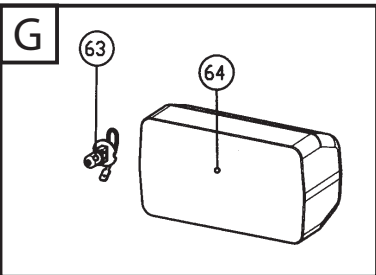
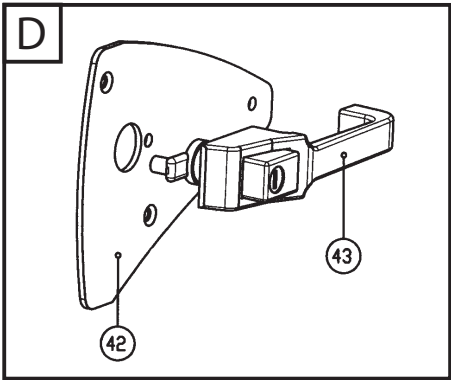
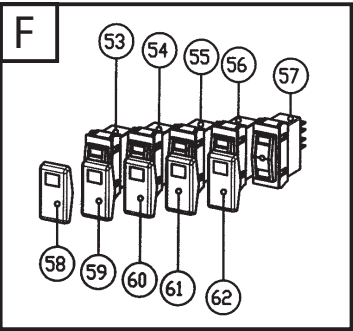
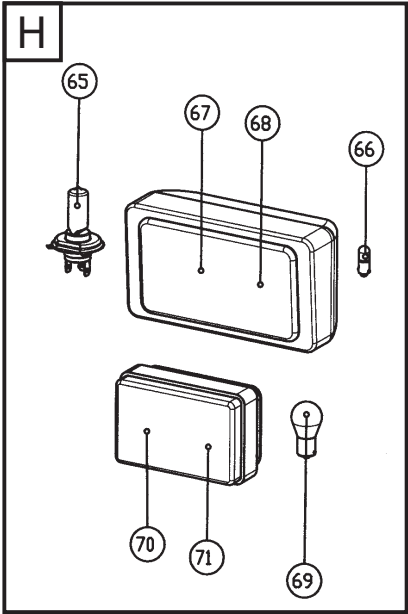
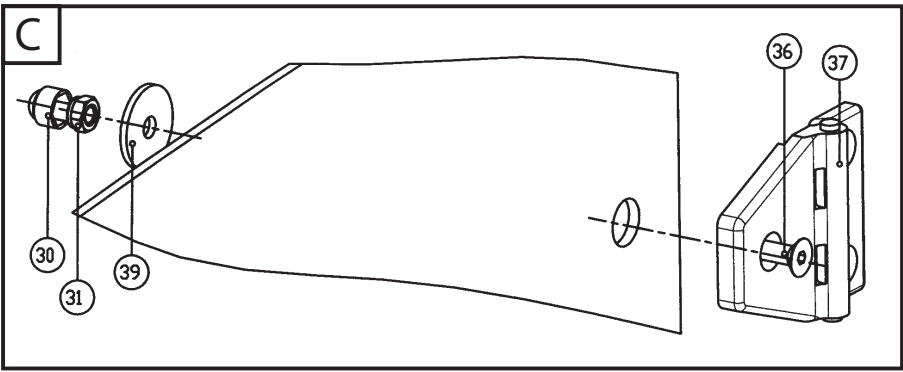
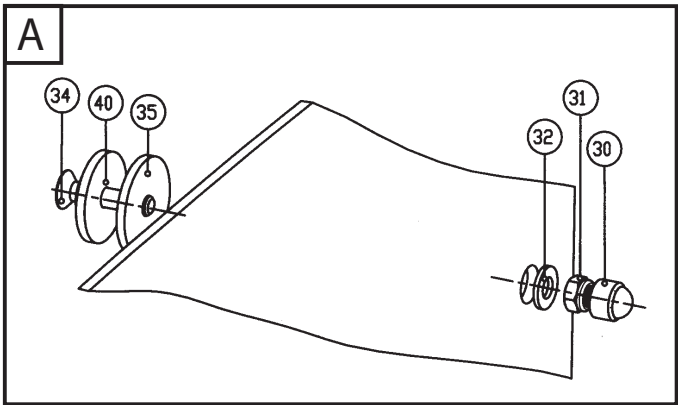
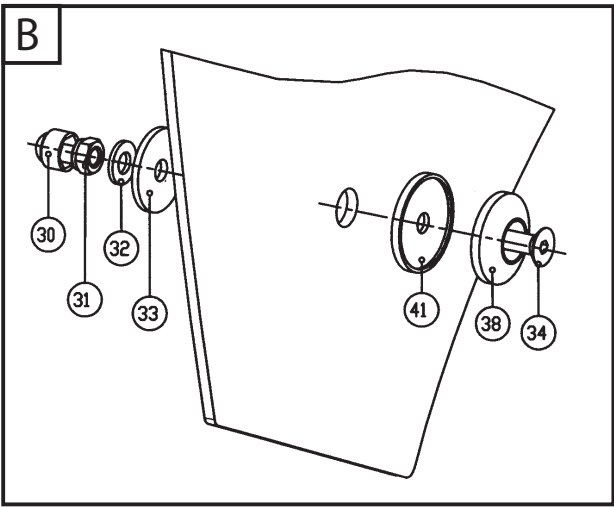
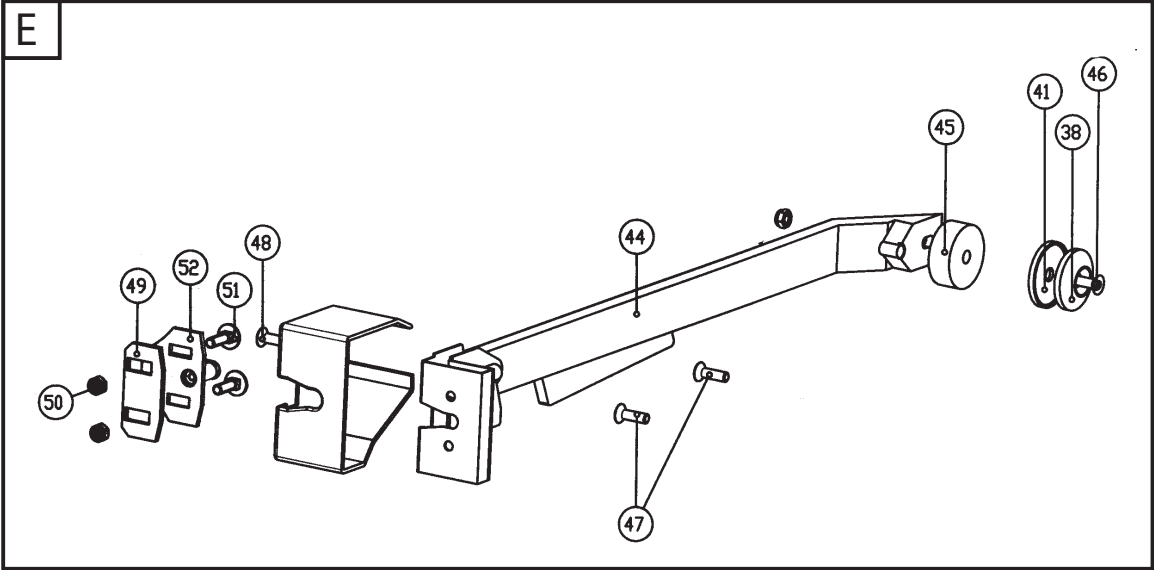
Utgåva Issue		Bildnr Picture No		TITAN HYTT CABIN			Sida Page	
2011-16		2530					54	
Pos. Fig.	Antal/Quantity			Art nr Part No	Benämning	Description	Sats Kit	Anmärkning Notes
	7435	7441 7442						
1	1	1		1135-2903-01	Hytt kpl.....	Cabin assy		
2	3	3		9997-1030-16	Skruv.....	Screw.....		M10 x 30
2	1	1		9997-1045-12	Skruv.....	Screw.....		M10 x 45
4	8	8		9997-1040-12	Skruv.....	Screw.....		
5	16	16		9699-0035-02	Bricka	Washer.....		
6	12	12		9747-1031-02	Mutter	Nut.....		
7	1	1		1135-3133-01	Ljudabsorbent	Noise absorber		100 x 300
8	2	2		1135-3133-02	Ljudabsorbent	Noise absorber		130 x 300
9	1	1		1135-2952-01	Intag-yttre	Intake-outer		
10	1	1		1135-2953-01	Intag-inre	Intake-inner		
11	1	1		1135-2954-01	Slang	Hose		D60
12	2	2			Slangklämma d:o.....	Hose clamp.....		
20	1	1		1135-2761-01	Kondensorfäste.....	Condensor bracket		
21	2	2			Skruv.....	Screw.....		
22	2	2			Distans	Spacer.....		
23	2	2			Mutter	Nut.....		
24	1	1			Skruv.....	Screw.....		
25	1	1		1135-2588-01	Kablage-hytt	Harness-cabin.....		
30	1	1		1135-3143-01	Slangklämma	Hose clamp.....		with AC/med AC
31	2	2		1135-3144-01	Tätning.....	Seal.....		w/o AC/utan AC
32	1	1		1135-3145-01	Hyttlucka	Cabin lid.....		w/o AC/utan AC
40	1	1		1135-3195-01	Ljudabsorbent	Noise absorber		
41	1	1		1135-3196-01	Ljudabsorbent	Noise absorber		
42	1	1		1135-3197-01	Ljudabsorbent	Noise absorber		
43	1	1		1135-3198-01	Ljudabsorbent	Noise absorber		125 x 450 x 13
44	2	2		1135-3198-02	Ljudabsorbent	Noise absorber		170 x 450 x 13
45	1	1		1135-3200-01	Ljudabsorbent	Noise absorber		
46	1	1		1135-3265-01	Ljudabsorbent	Noise absorber		



Utgåva Issue		Bildnr Picture No		TITAN VÄRMESYSTEM AIR CONDITION		HEATING SYSTEM AIR CONDITION		Sida Page	
2011-16		2538						56	
Pos. Fig.	Antal/Quantity			Art nr Part No	Benämning	Description	Sats Kit	Anmärkning Notes	
	7434 7435	7440 7441 7442							
1	1	1		1135-2943-01	Värmepaket.....	Heating system.....		w/o AC/utan AC	
1	1	1		1135-2942-01	Värmepaket.....	Heating system.....		with AC/med AC	
2	1	1		1135-2944-01	Kompressor.....	Compressor.....		with AC/med AC	
3A		1		1135-2508-01	Momentstag.....	Torsion strut.....		with AC/med AC	
3B	1			1135-2902-01	Momentstag.....	Torsion strut.....		with AC/med AC	
4	2	2		9959-0820-16	Skruv f kompress+stag.....	Screw.....			
5	1			1135-2515-01	Remskiva.....	Belt pulley.....		with AC/med AC	
6	3				Skruv.....	Screw.....			
7	1	1		1134-9058-01	Kilrem (9585-0091-01).....	V-belt.....		with AC/med AC	
8	1	1		1135-2945-01	Slang.....	Tube.....		with AC/med AC	
9	1	1		1135-2946-01	Slang.....	Tube.....		with AC/med AC	
10	1	1		1135-2947-01	Slang.....	Tube.....		with AC/med AC	
11	1	1		1135-2948-01	Fläns.....	Flange.....		with AC/med AC	
12	1	1		1135-2949-01	Vattenslang.....	Water hose.....		L = 2150	
13	1	1		1135-2950-01	Vattenslang.....	Water hose.....		L = 2510	
14	1	1		1135-2985-01	Banjoskruv.....	Banjo bolt.....			
15	1	1		1135-2986-01	Banjokoppling.....	Banjo coupling.....			
16	2	2		1135-3004-01	Kopparbricka.....	Copper washer.....			
17	4	4		085-470-01	Slangklämma.....	Hose clamp.....		D15 - 24	
18	1	1		1135-2955-01	Kondensör m torkare.....	Condensör w dryer.....		with AC/med AC	
19	1	1		1135-2956-01	Fläkt m kåpa.....	Fan w cover.....		with AC/med AC	
20	1	1		1135-2951-01	Kablage.....	Harness.....		with AC/med AC	
21	1	1		1135-3124-01	Jordkabel-AC kompr.....	Earth cable.....		with AC/med AC	
22	1	1		1135-3146-01	Tryckgivare.....	Pressure switch.....		with AC/med AC	
23	1	1		1134-1565-09	Distans.....	Spacer.....		L = 9.5	



Utgåva Issue		Bildnr Picture No		TITAN HYTT CABIN			Sida Page	
2011-16		2535					58	
Pos. Fig.	Antal/Quantity			Art nr Part No	Benämning	Description	Sats Kit	Anmärkning Notes
	7435	7441 7442						
1	1	1		1319-1134-01	Vindruta	Windscreen.....		
2	1	1		1319-1149-01	Fäste.....	Wiper motor bracket		
3	1	1		1319-1150-01	Vindrutetorkarmotor	Wiper motor		
4	1	1		1319-1165-01	Lock	Cover		
5	1	1		1319-1151-01	Torkarm	Wiper motor arm		
6	1	1		1319-1152-01	Torkarblad.....	Wiper blade		
7	1	1		1319-1135-01	Dörruta-vä.....	Door glass-LH.....		
8	5,1	5,1		1319-1142-01	Tätning.....	Seal.....		Part No/detaljnr per m
9	1	1		1319-1112-01	Dörram.....	Door frame		
10	1	1		1319-1124-01	Spegelarm-vä.....	Mirror arm-LH.....		
11	2	2		1319-1125-01	Backspegel.....	Mirror-LH & RH.....		
12	1	1		1319-1123-01	Spegelarm-hö.....	Mirror arm-RH.....		
13	1	1		1319-1136-01	Sidoruta-hö	Side glass-RH.....		
14	5,1	5,1		1319-1142-01	Tätning.....	Seal.....		Part No/detaljnr per m
15	1	1		1319-1137-01	Bakruta	Rear glass		
16	1	1		1319-1119-01	Spolarbehållare.....	Water tank		
17	4	4		1319-1129-01	Vattenslang	Water hose.....		Part No/detaljnr per m
18	1	1		1319-1128-01	Ventil.....	Valve		
19	2	2		1319-1130-01	Högtalargaller	Speaker cover.....		
20	1	1		1319-1164-01	Brytarfäste	Switch bracket.....		
21	1	1		1319-1163-01	Lock.....	Cover.....		
22	1	1		1319-1122-01	Innerbelysning	Roof lamp.....		
23	1	1		1319-1118-01	Spolarmunstycke	Water nozzle.....		
24	1	1		1319-1131-01	Antenn	Antenna		
25	1	1		1319-1120-01	Fäste-roterande ljus	Beacon bracket.....		
26	1	1		1319-1116-01	Kablage m säkringsbox	Cable w fuse box.....		
27	1	1		1319-1117-01	Kablage.....	Lamp cable.....		
28	2	2		1319-1115-01	Kablage.....	Front light cable.....		
29	8	8		1134-3496-05	Säkring.....	Fuse		15A
71	1	1		1319-1144-01	Handtag.....	Roof handle		
73	1	1		1319-1132-01	Gasfjäder.....	Gas spring		
74	1	1		1319-1162-01	Tak kpl.	Roof.....		Inklusive 24-28.
75	1	1		1319-1126-01	Nödhammare	Emergency hammer		Not ill./ej ill.
76	2,1	2,1		1319-1140-01	Tätning 3x130.....	Sponge 3x130.....		Part No/detaljnr per m
77	2,2	2,2		1319-1141-01	Tätning 10x15.....	Sponge 10x15.....		Part No/detaljnr per m



Utgåva Issue		Bildnr Picture No		TITAN HYTT CABIN			Sida Page	
2011-16		2534					60	
Pos. Fig.	Antal/Quantity			Art nr Part No	Benämning	Description	Sats Kit	Anmärkning Notes
	7435	7441 7442						
30	4	4		9403-0113-00	Mutterhatt	Nut cover.....		
31	1	1		9747-0831-02	Mutter	Nut.....		
32	1	1		9699-0056-02	Bricka	Washer.....		
33	1	1		1319-1159-01	Gummipackning	Rubber gasket.....		
34	1	1		9924-0840-19	Skruv.....	Screw.....		
35	1	1		1319-1160-01	Gummipackning	Rubber gasket		
36	1	1		9924-0840-19	Skruv.....	Screw.....		
37	1	1		1319-1133-01	Gångjärn	Hinge.....		
38	1	1		1319-1158-01	Platta	Plate.....		
39	1	1		9699-0090-02	Bricka	Washer.....		
40	1	1		1319-1158-01	Platta	Plate.....		
41	1	1		1319-1160-01	Gummipackning	Rubber gasket.....		
42	2	2		1319-1161-01	Dörrplåtpackning	Door plate gasket		
43	1	1		1319-1143-01	Dörrhandtag m nycklar.....	Door handle w keys		
44	1	1		1319-1148-01	Dörrhandtag-vä.....	Door lock-LH.....		
45	2	2		1319-1127-01	Distans	Spacer.....		
46	1	1		1319-1155-01	Skruv.....	Screw.....		
47	1	1		1319-1154-01	Skruv.....	Screw.....		
48	1	1		1319-1153-01	Skruv.....	Screw.....		
49	1	1		1319-1147-01	Låstapp	Bolt striker		
50	2	2		9747-0631-02	Mutter	Nut.....		
51	1	1		1319-1156-01	Skruv.....	Screw.....		
52	1	1		1319-1146-01	Distans	Spacer.....		
53	1	1		1319-1111-01	Brytare-spolare	Switch-windscreen wash....		
54	1	1		1319-1109-01	Brytare-rot.belysning	Switch-beacon.....		
55	1	1		1319-1109-01	Brytare-arb.belysning	Switch-worklamps		
56	1	1		1319-1109-01	Brytare-backspeglar.....	Switch-heated mirrors		
57	1	1		1319-1110-01	Brytare-vindrutetorkare	Switch-wiper motor		
58	1	1		1319-1107-01	Vippa-spolare.....	Cover-windscreen wash		
59	1	1		1319-1108-01	Vippa-rot.belysning	Cover-beacon		
60	1	1		1319-1104-01	Vippa-arb.belysning.....	Cover-worklamps.....		
61	1	1		1319-1105-01	Vippa-backspeglar	Cover-heated mirrors		
62	1	1		1319-1106-01	Vippa-vindrutetorkare.....	Cover-wiper motor		
63	2	2			Glödlampa	Light bulb.....		H3 - 55W
64	2	2		1319-1121-01	Arbetsbelysning	Worklamp.....		
65	2	2			Glödlampa	Light bulb.....		H4 - 12V
66	2	2			Glödlampa	Light bulb.....		5W - 12V
67	1	1		1319-1101-01	Strålkastare-hö	Headlamp-RH		
68	1	1		1319-1102-01	Strålkastare-vä	Headlamp-LH		
69	2	2			Glödlampa	Light bulb.....		21W - 12V
70	1	1		1319-1100-01	Blinkers-vä	Direction light-LH		
71	1	1		1319-1100-01	Blinkers-hö	Direction light-RH		