

# Genuine Spare Parts

www.stiga.com

## TITAN - Base Machine Model Year 2011

Contains sections:

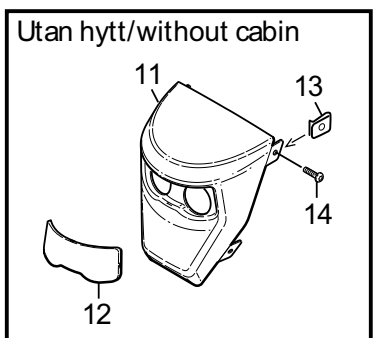
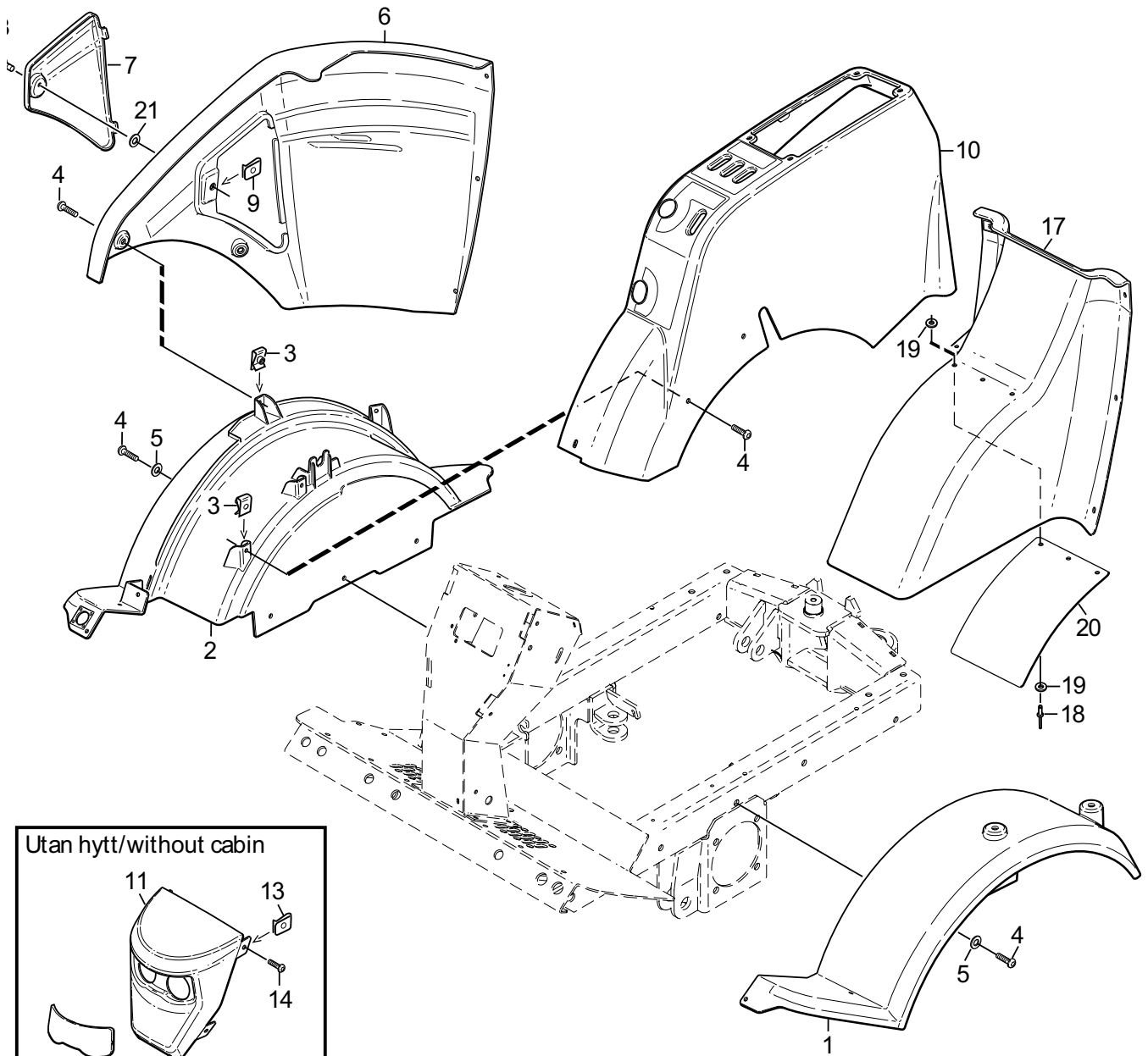
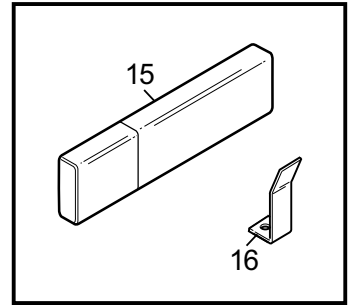
- body work-front
- body work-rear
- frame-front
- lifting device
- seat
- steering
- hand controls
- foot controls
- electrical system

- Use GLOBAL GARDEN PRODUCT Genuine Spare Parts specified in the parts list for repair and/or replacement.
- The contents described in the parts list may change due to improvement.
- The drawings of the spare parts are only indicative and might not represent the part in question exactly.
- The indications "right" - "left" - "front" - "rear" refer to the position of the operator when using the machine.
- When placing orders of parts for repair and/or replacement, make sure that the illustrated parts list is the one applying to the machine's year of manufacture, as shown on the identification plate attached to the machine.

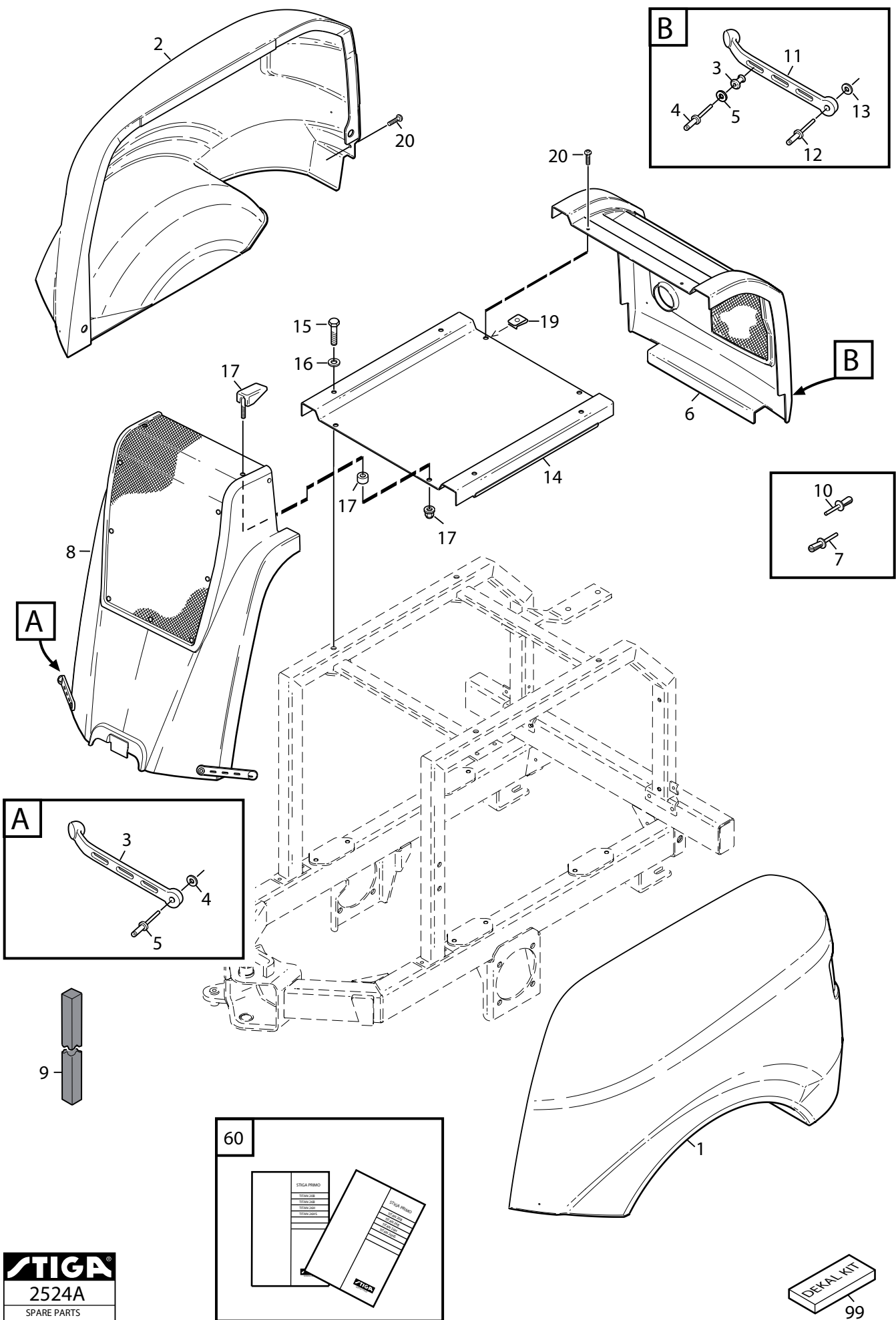
COPYRIGHT by GLOBAL GARDEN PRODUCTS

All rights reserved. No part of this material may be reproduced or transmitted, in any form or by any means, electronic or mechanical, including photocopying, recording or by any information storage and retrieval system, without permission in writing from GLOBAL GARDEN PRODUCTS.

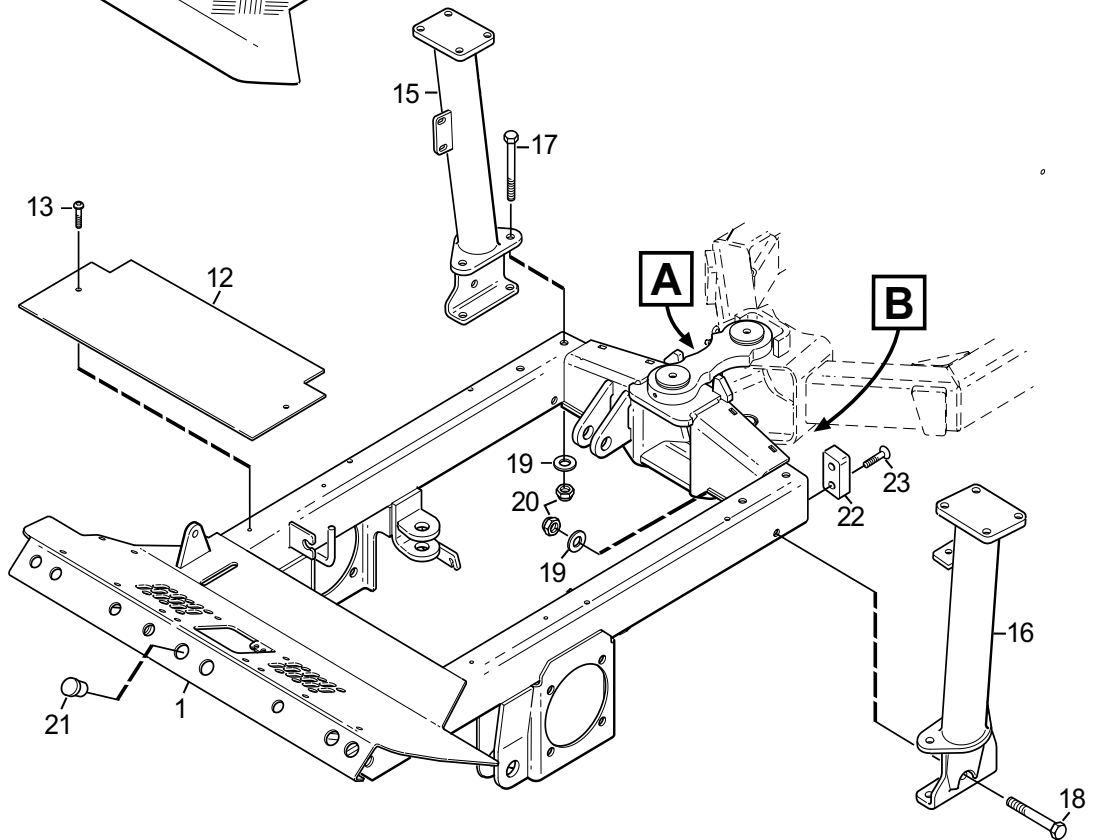
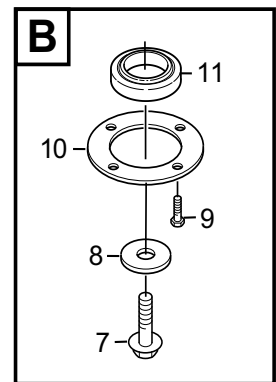
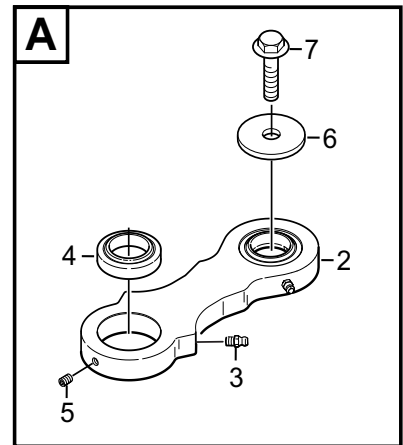
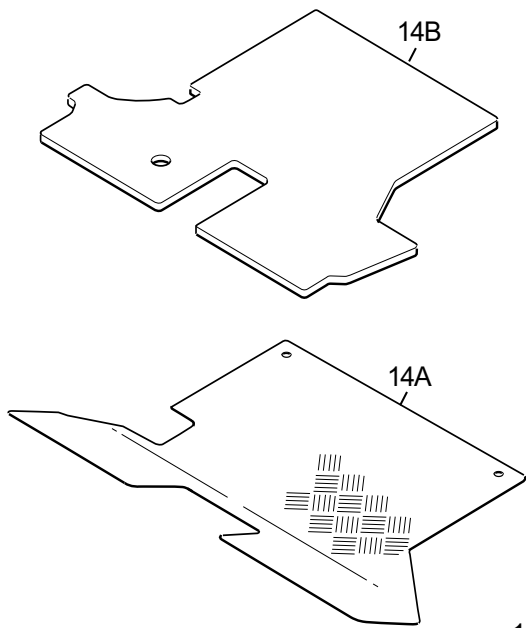




Utgåva Issue		Bildnr Picture No		TITAN KAROSS- FRAM			BODY WORK- FRONT		Sida Page	
2011- 16		2523A							2	
Pos. Fig.	Antal/Quantity			Art nr Part No	Benämning	Description	Sats Kit	Anmärkning Notes		
	7434 7435	7440 7441 7442								
1	1	1		1135- 2500- 01	Framskärm- vä .....	Mud guard front- LH .....				
2	1	1		1135- 2501- 01	Framskärm- hö .....	Mud guard front- RH .....				
3	6	6		1134- 4176- 01	Clips .....	Clips .....				
4	8	8		9893- 0616- 16	Skruv .....	Screw .....				
5	6	6		9699- 0060- 02	Bricka .....	Washer .....				
6	1	1		1135- 2502- 01	Sidopanel .....	Side panel .....				
7	1	1		1135- 2504- 01	Inspektionslucka .....	Inspection cover .....				
8	1	1		1134- 7456- 02	Vridtapp .....	Fastener .....				
9	1	1		1134- 7458- 01	Clips .....	Clips .....				
10	1	1		1135- 2503- 04	Reglagepanel .....	Control panel .....				
11	1	1		1135- 2506- 01	Frontkåpa .....	Front panel .....		w/o cabin/utan hytt		
12	1	1		1135- 2507- 01	Frontglas .....	Front glass .....		w/o cabin/utan hytt		
13	4	4		1134- 4176- 01	Clips .....	Clips .....		w/o cabin/utan hytt		
14	4	4		9893- 0616- 16	Skruv .....	Screw .....		w/o cabin/utan hytt		
15	1	1		1134- 7504- 01	Varningstriangel .....	Warning triangle .....				
16	1	1		1135- 3174- 01	Klämma .....	Clamp .....				
17	1	1		1135- 2505- 01	Kåpa- bakre .....	Cover- rear .....				
18	3	3		9632- 0516- 00	Popnit .....	Pop rivet .....				
19	6	6		9699- 0120- 02	Bricka .....	Washer .....				
20	1	1		1135- 3495- 01	Gummiduk .....	Rubber cloth .....				
21	1	1		1134- 7457- 01	Bricka .....	Washer .....				

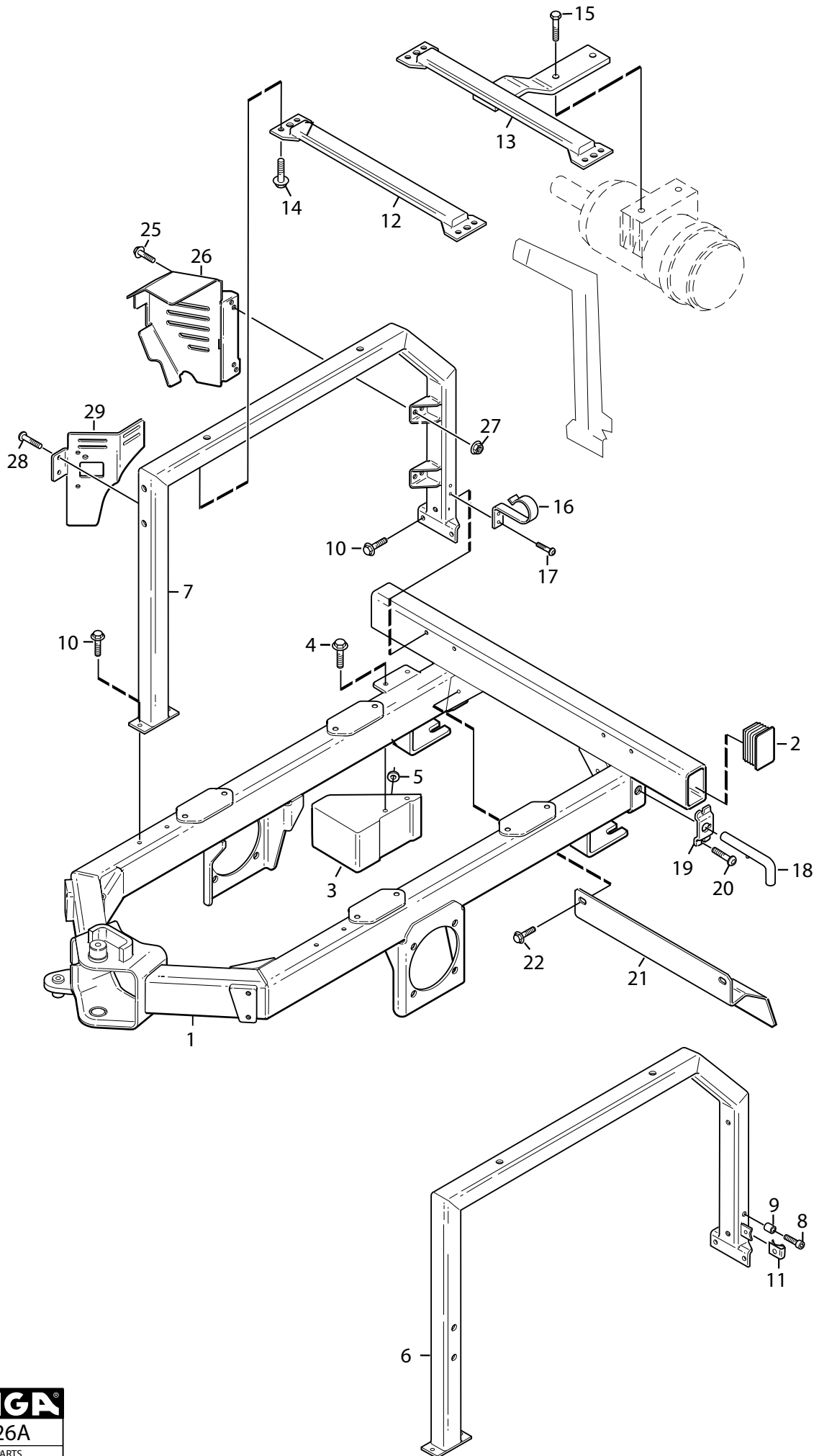


Utgåva Issue		Bildnr Picture No		TITAN KAROSS- BAK			BODY WORK- REAR		Sida Page	
2011- 16		2524A							4	
Pos. Fig.	Antal/Quantity			Art nr Part No	Benämning	Description	Sats Kit	Anmärkning Notes		
	7434 7434	7040 7041 7042								
1	1	1		1134- 7189- 01	Huvsida- vä .....	Hood cover- LH .....				
2	1	1		1134- 7190- 01	Huvsida- hö .....	Hood cover- RH .....				
3	4	4		9405- 0029- 00	Knopp .....	Knob .....				
4	4	4		9632- 0513- 00	Popnit .....	Pop rivet .....		3,2 x 20		
5	4	4		9699- 0120- 02	Bricka .....	Washer .....				
6	1	1		1134- 7199- 01	Huvkåpa- bakre .....	Hood cover- rear .....		Pos 7, 11 - 13 incl.		
7	11	11		1134- 7224- 01	Nit .....	Rivet .....				
8	1	1		1135- 3728- 01	Huvkåpa- främre .....	Hood cover- front .....		Pos 10 - 13		
9	3	3		1135- 3008- 03	Tätninglist .....	Seal strip .....				
10	13	13		085- 044- 01	.Plastnit .....	.Plastic rivet .....				
11	2	2		1134- 9028- 01	.Gummistropp .....	.Rubber loop .....		Kit of 3/sats 3 st		
12	2	2		9632- 0513- 00	.Popnit .....	.Pop rivet .....				
13	4	4		9699- 0120- 02	.Bricka .....	.Washer .....				
14	1	1		1134- 6875- 02	Huvlock .....	Hood cover .....				
15	4	4		9997- 1060- 12	Skruv .....	Screw .....				
16	4	4		9699- 0035- 02	Bricka .....	Washer .....				
17	2	2		1135- 3779- 01	Huvlås kpl. ....	Hood lock kit .....				
19	2	2		1134- 7458- 01	Clips .....	Clips .....				
20	4	4		9893- 0616- 16	Skruv .....	Screw .....				
60	1	1		8211- 0041- 00	Bruksanvisning .....	Owner's manual .....				
60	1	1		8211- 0703- 90	Säkerhetsföreskrifter .....	Safety regulations .....				
60	1	1		8211- 0960- 10	Garantikort .....	Warranty card .....				
99	1			1135- 3155- 03	Dekalsats .....	Label kit .....				
99		1		1135- 3155- 04	Dekalsats .....	Label kit .....				



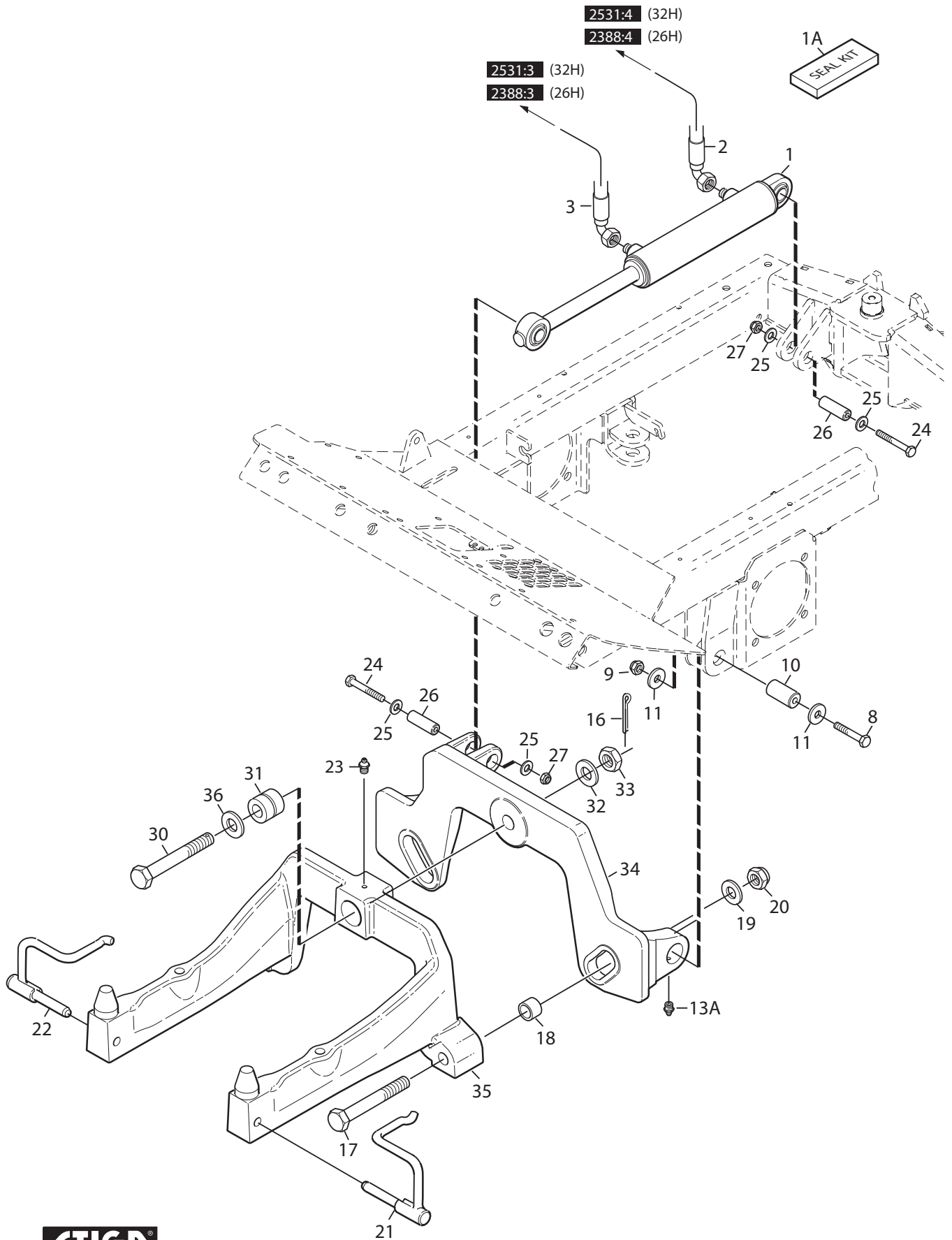
Utgåva Issue		Bildnr Picture No		TITAN RAM-FRAM			FRAME-FRONT		Sida Page	
2011-16		2525A							6	
Pos. Fig.	Antal/Quantity			Art nr Part No	Benämning	Description	Sats Kit	Anmärkning Notes		
	7434 7435	7440 7441 7442								
1	1	1		1135-3191-01	Ram-främre .....	Frame-front .....				
2	1	1		1135-3018-01	Länk kpl.....	Link assy.....				
3	2	2		9501-0500-00	.Smörjnippel.....	.Grease nipple.....				
4	2	2		9547-0006-01	.Ledlager.....	.Bearing.....				
5	2	2		9907-0610-16	.Stoppskruv .....	.Stop screw .....				
6	2	2		1134-6791-01	Bricka .....	Washer.....				
7	3	3		9959-1025-16	Skruv.....	Screw.....				
8	1	1		1134-5406-01	Bricka .....	Washer.....				
9	4	4		9997-0816-16	Skruv .....	Screw.....				
10	1	1		1134-6790-01	Låsbricka .....	Lock washer.....				
11	1	1		9547-0007-01	Ledlager.....	Bearing.....				
12	1	1		1135-2521-01	Durk.....	Floor plate .....				
13	4	4		9893-0616-16	Skruv.....	Screw.....				
14A	1	1		1135-2527-01	Durkmatta.....	Floor mat.....				
14B	1	1		1135-3490-01	Durkmatta.....	Floor mat.....				
15	1	1		1134-7689-01	Hyttfäste- hö .....	Cabin attachment- RH .....				
16	1	1		1135-2523-01	Hyttfäste- vä.....	Cabin attachment- LH.....				
17	4	4		9996-1012-02	Skruv .....	Screw.....				
18	2	2		9996-1075-12	Skruv .....	Screw.....				
19	12	12		9699-0035-02	Bricka .....	Washer.....				
20	6	6		9747-1031-02	Mutter.....	Nut.....				
21	2	2		9403-0057-01	Ändplugg .....	End plug.....				
22	2	2		1135-3188-01	Styrstopp.....	Limiter plate.....				
23	4	4		9924-0820-16	Skruv .....	Screw.....				

w/o cabin/utan hytt  
with cabin/med hytt

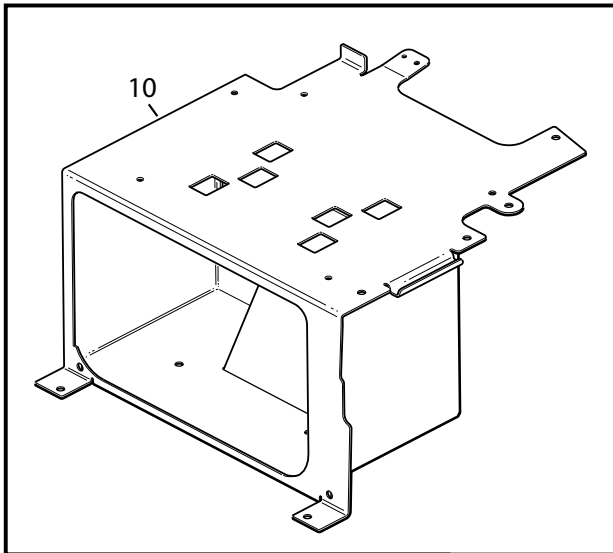




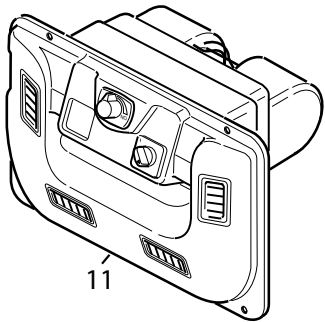
Utgåva Issue		Bildnr Picture No		TITAN RAM-BAKRE			FRAME- REAR		Sida Page	
2011- 16		2526A							8	
Pos. Fig.	Antal/Quantity			Art nr Part No	Benämning	Description	Sats Kit	Anmärkning Notes		
	7434 7435	7440 7441 7442								
1	1	1		1135-3192-01	Ram- bakre .....	Frame- rear.....				
2	2	2		9403-0057-01	Ändavslut.....	End plug.....				
3	1	1		1134-7399-01	Fäste- eluttag .....	Bracket.....				
4	2	2		9945-0825-16	Skruv .....	Screw.....				
5	1	1		9403-0056-01	Kabelgenomföring .....	Grommet.....				
6	1	1		1135-3747-01	Ram- vä .....	Frame- LH .....				
7	1	1		1135-3748-01	Ram- hö .....	Frame- RH .....				
8	2	2		9939-1020-16	Skruv .....	Screw.....				
9	2	2		1134-0041-10	Hylsa .....	Collar .....				
10	8	8		9945-0816-16	Skruv .....	Screw.....				
11	2	2		1134-4176-01	Clips .....	Clips.....				
12	1	1		1134-6873-01	Tvärstag- främre .....	Strut- front .....				
13	1			1134-7443-01	Tvärstag- bakre .....	Strut- rear.....				
13		1		1135-2533-01	Tvärstag- bakre .....	Strut- rear.....				
14	8	8		9959-0816-16	Skruv .....	Screw.....				
15	2	2		9997-0816-16	Skruv .....	Screw.....				
16	1	1		1134-7459-01	Slanghållare.....	Tube holder .....				
17	2	2		9893-0616-16	Skruv .....	Screw.....				
18	2	2		1134-7525-01	Sprint.....	Pin .....				
19	2	2		1134-7523-01	Låshållare .....	Pin holder .....				
20	4	4		9943-0612-16	Skruv .....	Screw.....				
21	1	1		1134-7522-01	Värmskydd.....	Heat guard .....				
22	2	2		9945-0816-16	Skruv .....	Screw.....				
25	2	2		9959-0820-16	Skruv .....	Screw.....				
26	1	1		1135-3707-01	Remskydd .....	Belt guard .....				
27	2	2		9739-0831-22	Mutter.....	Nut.....				
28	2	2		9893-0616-16	Skruv .....	Screw.....				
29	1	1		1135-3699-01	Fläktskydd .....	Fan guard.....				



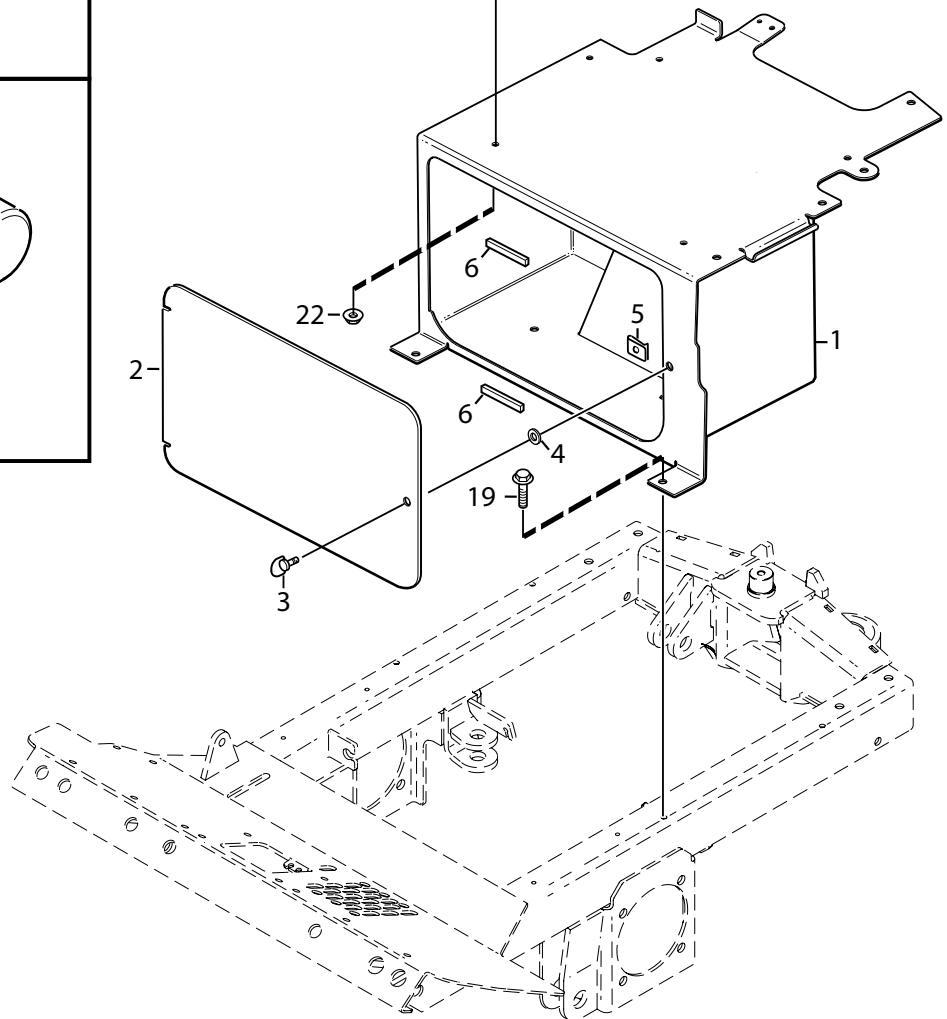
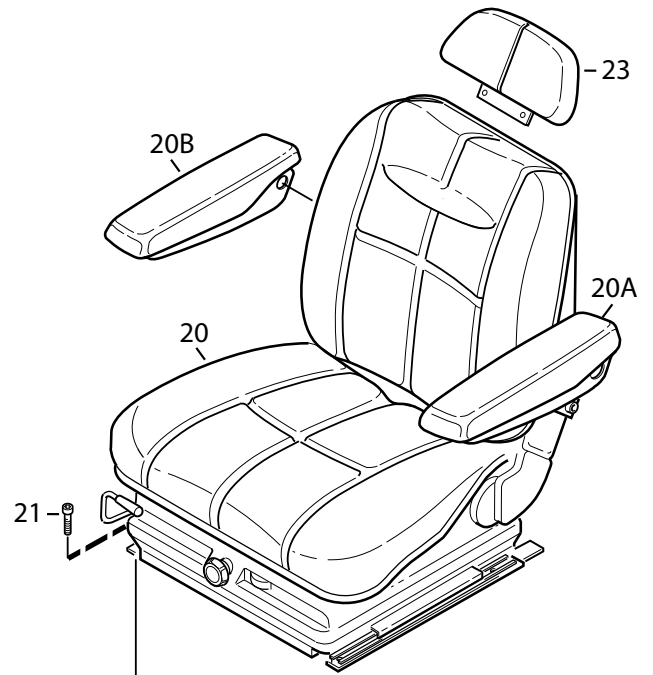
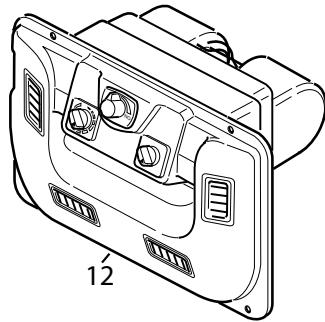




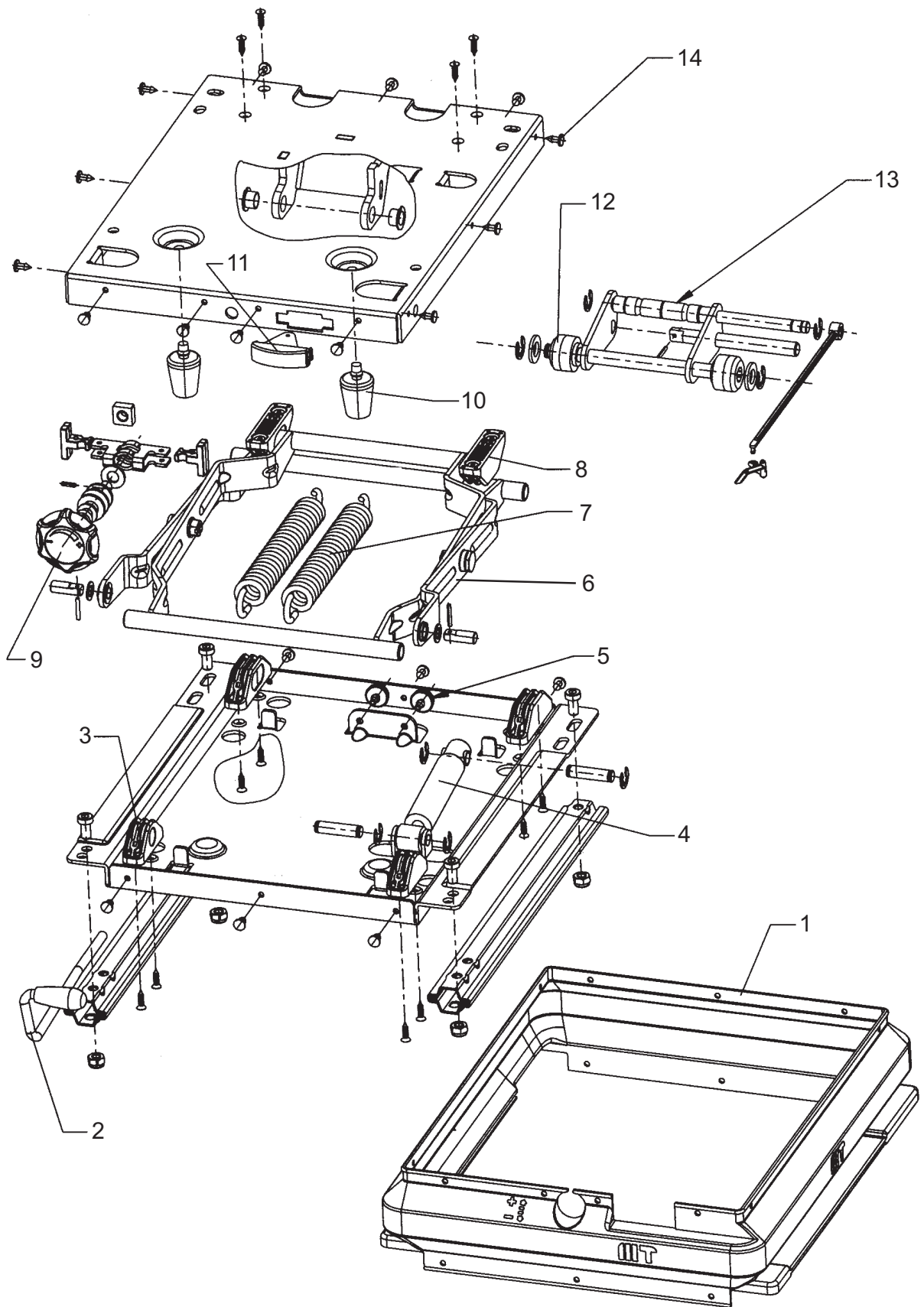
Värme/heat



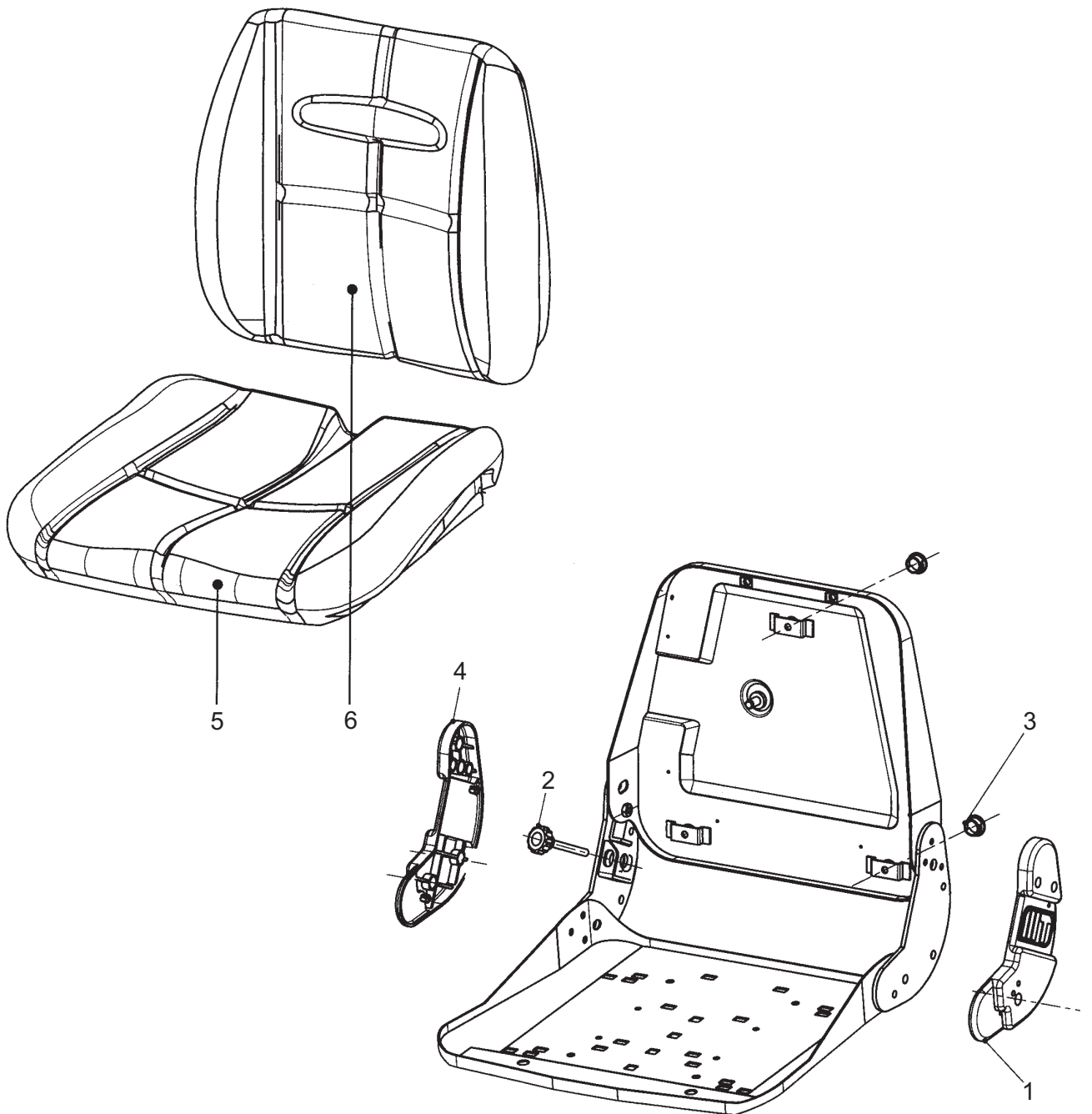
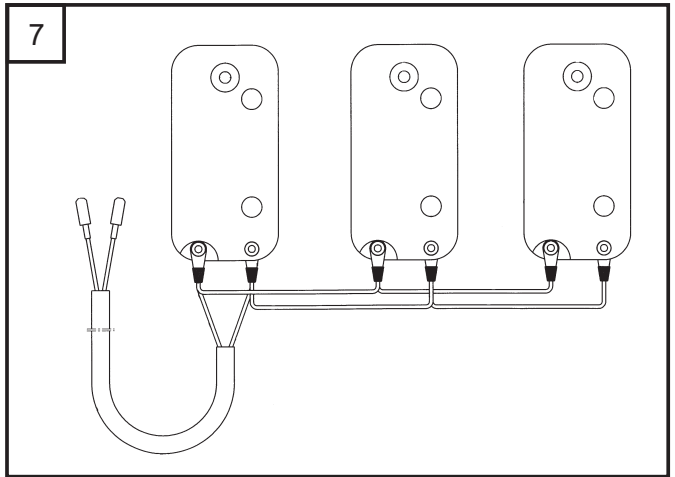
Värme+AC/heat+AC



Utgåva Issue		Bildnr Picture No		TITAN SITS			SEAT		Sida Page	
2011-16		2520A							12	
Pos. Fig.	Antal/Quantity			Art nr Part No	Benämning	Description	Sats Kit	Anmärkning Notes		
	7434 7435	7440 7441 7442								
1	1	1		1135-2519-03	AC-låda (svart).....	AC-box (black) .....		w/o cabin/utan hytt		
2	1	1		1135-2831-02	Frontlucka (svart) .....	Front cover (black).....		w/o cabin/utan hytt		
3	1	1		1134-7456-01	Vridtapp.....	Fastener .....		w/o cabin/utan hytt		
4	1	1		1134-7457-01	Bricka .....	Washer.....		w/o cabin/utan hytt		
5	1	1		1134-7458-01	Clips .....	Clips .....		w/o cabin/utan hytt		
6	1	1		1135-3343-01	Tätninglist.....	Sealing strip .....		w/o cabin/utan hytt		
10	1	1		1135-3076-02	AC-låda m hål .....	AC-box with holes .....		with cabin/med hytt		
10	1	1		1135-3075-01	AC-låda med hål.....	AC-box with holes .....		with cabin and AC		
11	1	1		1135-2943-01	Värmepaket .....	Heating system .....		with cabin/med hytt		
12	1	1		1135-2942-01	Värmepaket + AC.....	Heating system + AC.....		with cabin/med hytt		
19	4	4		9945-0816-16	Skruv .....	Screw .....				
20	1	1		1134-7215-01	Sits kpl .....	Seat assy.....				
20A	1	1		1134-7532-01	.Armstöd- vä.....	.Arm rest- LH .....				
20B	1	1		1134-7532-02	.Armstöd- hö.....	.Arm rest- RH .....				
21	4	4		9930-0820-16	Skruv .....	Screw .....				
22	4	4		9739-0831-22	Mutter.....	Nut .....				
23	1	1		1134-7258-01	Nackstöd .....	Neck support.....				

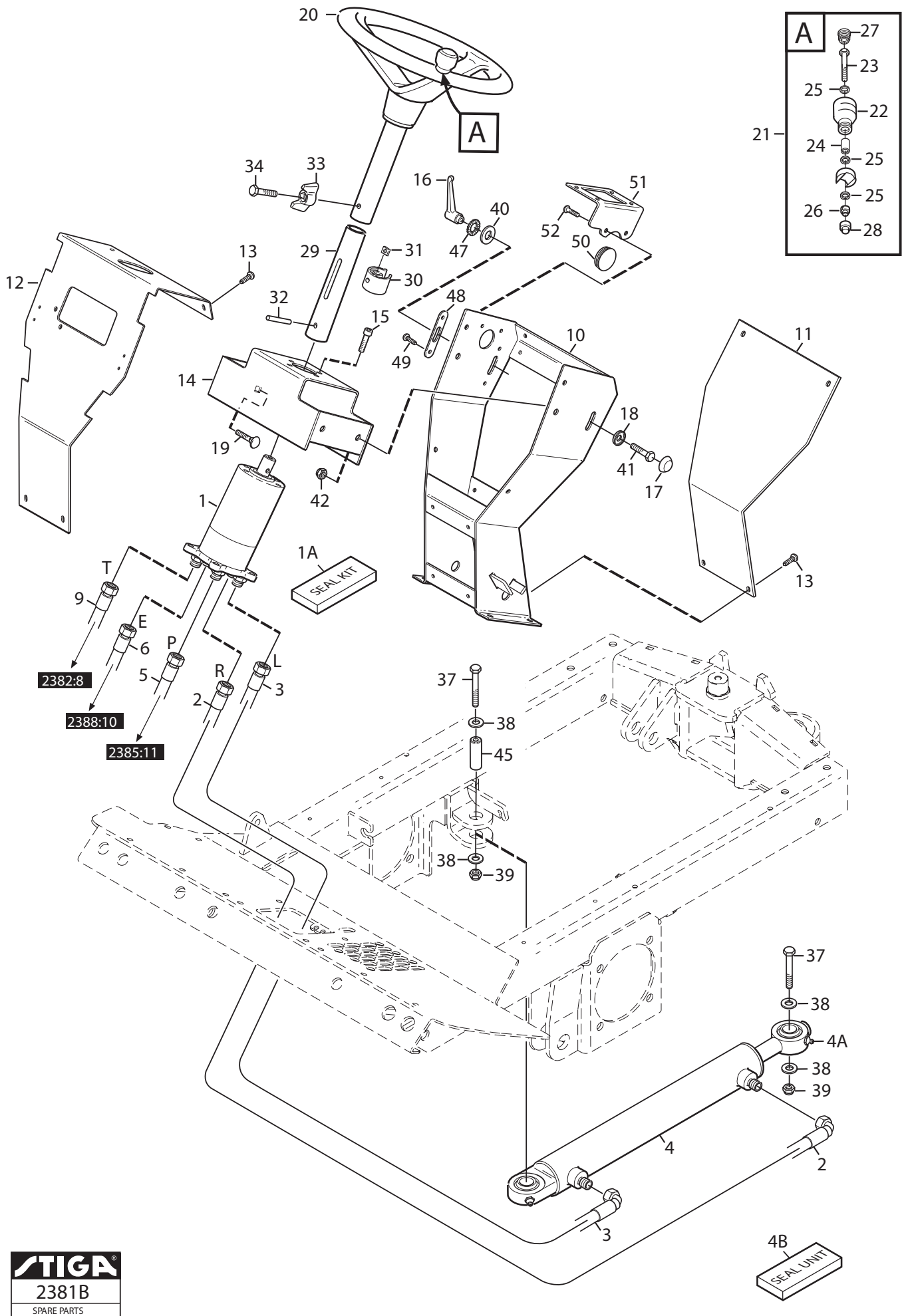


Utgåva Issue		Bildnr Picture No		TITAN SITS			SEAT		Sida Page	
2011-16		2756							14	
Pos. Fig.	Antal/Quantity			Art nr Part No	Benämning	Description	Sats Kit	Anmärkning Notes		
	7434 7435	7440 7441 7442								
1	1	1		1139-0033-01	Gummiskydd .....	Rubber cover .....				
2	1	1		1139-0031-01	Inställningsspak.....	Adjustment lever .....				
3	2	2		1139-0025-01	Pivofäste.....	Pivot bracket .....				
4	1	1		1139-0028-01	Sitsdämpare .....	Seat damper .....				
5	2	2		1139-0023-01	Fäste .....	Bracket .....				
6	1	1		1139-0032-01	Fjäderarm .....	Spring frame .....				
7	2	2		1139-0029-01	Fjäder .....	Spring .....				
8	4	4		1139-0026-01	Pivofäste.....	Pivot bracket .....				
9	1	1		1139-0034-01	Justerratt .....	Adjusting knob .....				
10	2	2		1139-0017-01	Gummidämpare.....	Rubber damper .....				
11	1	1		1139-0027-01	Lins .....	Lens .....				
12	2	2		1139-0022-01	Distans .....	Spacer .....				
13	2	2		1139-0024-01	Axel .....	Shaft .....				
14	19	19		1139-0030-01	Skruv .....	Screw .....				

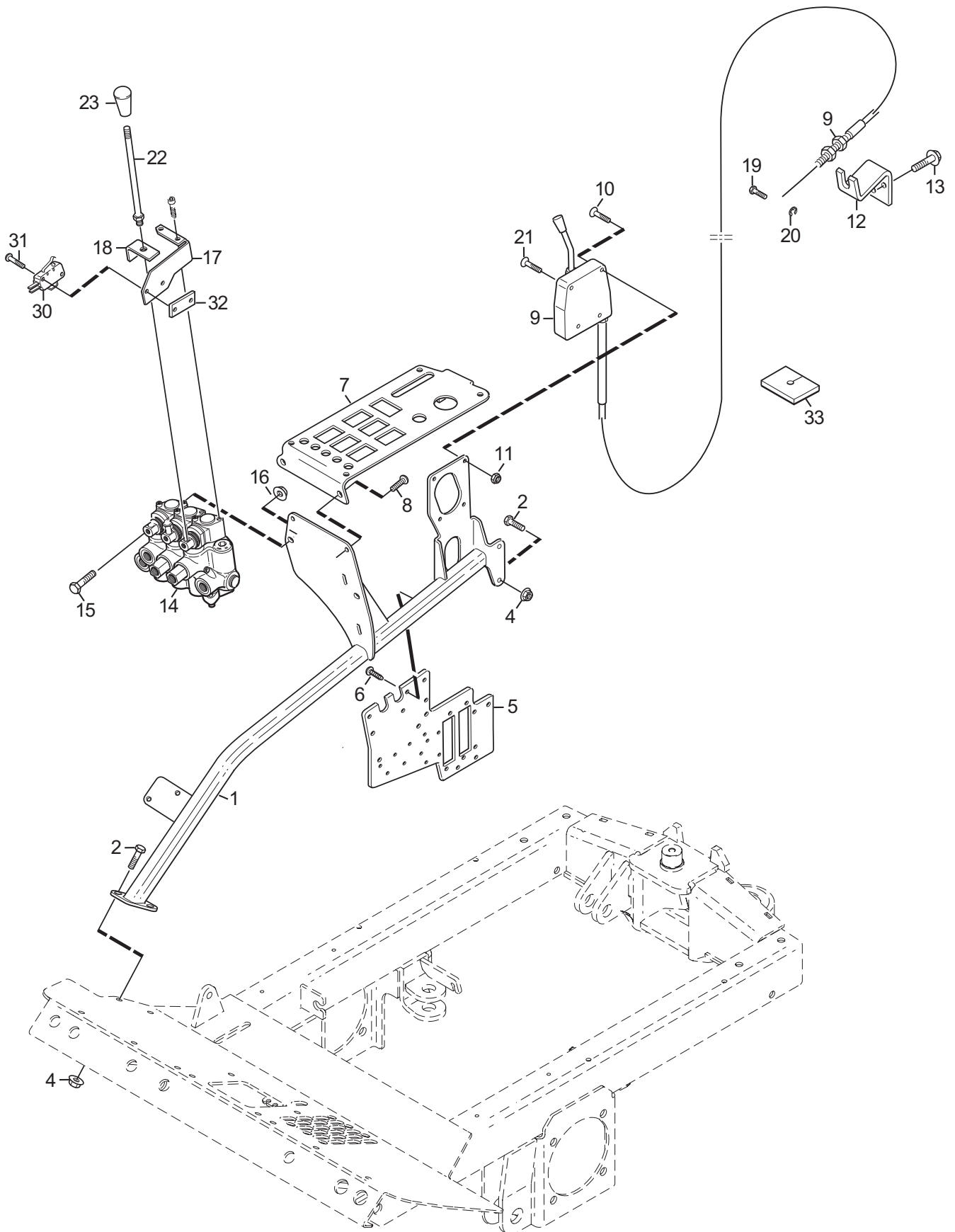




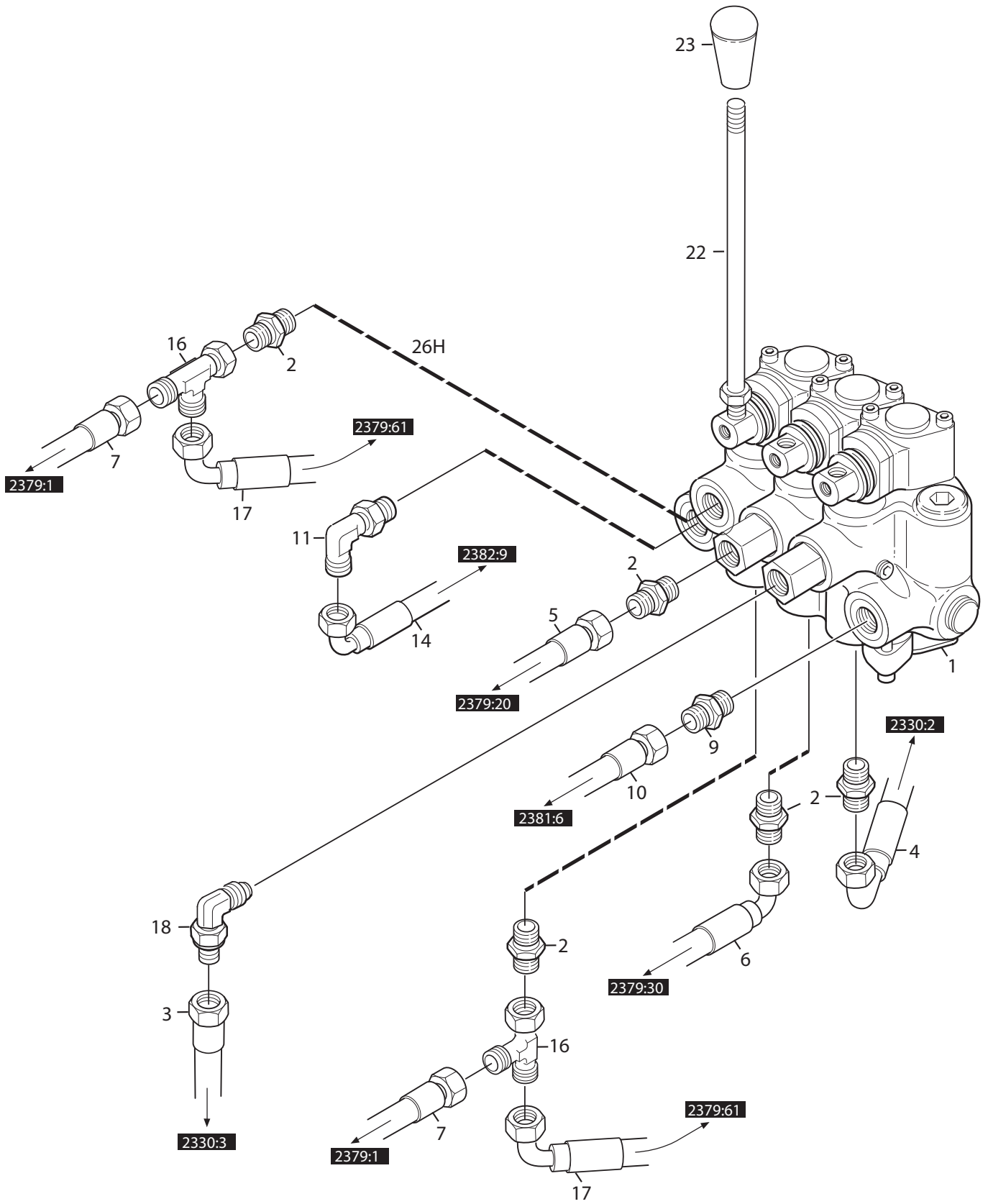
Utgåva Issue		Bildnr Picture No		TITAN SITS			SEAT		Sida Page	
2011-16		2757							16	
Pos. Fig.	Antal/Quantity			Art nr Part No	Benämning	Description	Sats Kit	Anmärkning Notes		
	7434 7435	7440 7441 7442								
1	1	1		1139-0021-01	Beslag- vä .....	Bracket- LH .....				
2	1	1		1139-0019-01	Justerratt .....	Adjustment knob .....				
3	3	3		1139-0018-01	Plugg .....	Plug .....				
4	1	1		1139-0020-01	Beslag- hö .....	Bracket- RH .....				
5	1	1		1139-0036-01	Sitsdyna .....	Bottom seat .....				
6	1	1		1139-0035-01	Ryggstöd .....	Back rest .....				
7	1	1		1139-0037-01	Sitsbrytare .....	Seat switch .....				



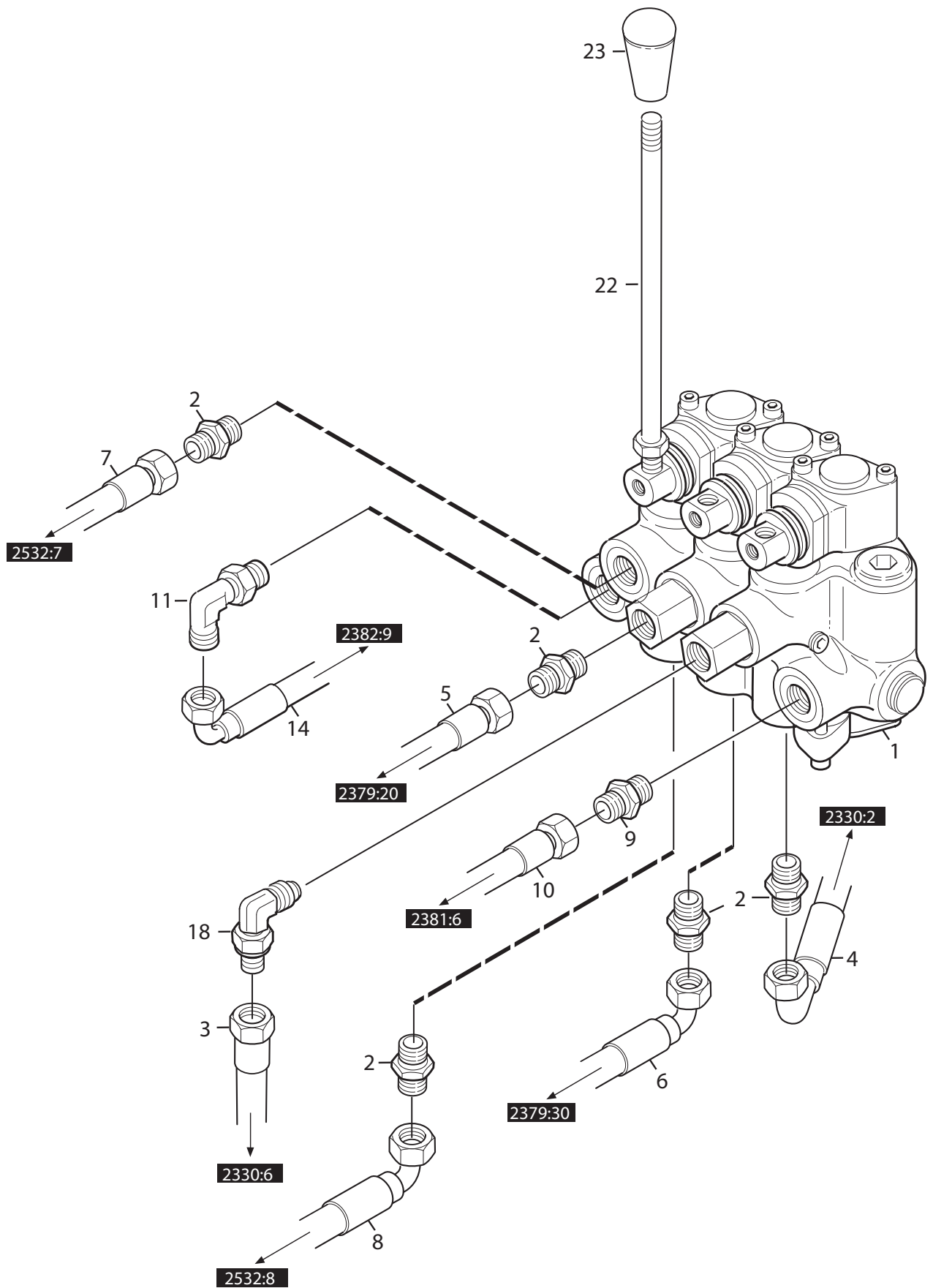
Utgåva Issue		Bildnr Picture No		TITAN STYRNING			STEERING		Sida Page	
2011- 16		2381B							18	
Pos. Fig.	Antal/Quantity			Art nr Part No	Benämning	Description	Sats Kit	Anmärkning Notes		
	7434 7435	7440 7441 7442								
1	1	1		1134-7214-01	Styrervo.....	Steering booster .....				
1A	1	1		1139-2081-01	.Tätningssats .....	.Seal kit .....				
2	1	1		1137-0185-02	Hydraulslang 1/4".....	Hydraulic tube 1/4" .....				
3	1	1		1137-0185-01	Hydraulslang 1/4".....	Hydraulic tube 1/4" .....				
4	1	1		1134-6800-01	Styrcylinder .....	Steering cylinder .....				
4A	1	1		9501-0500-00	.Smörjnippel.....	.Grease nipple .....				
5	1	1		1134-7135-01	Hydraulslang 3/8".....	Hydraulic tube 3/8" .....				
6	1	1		1137-0194-01	Hydraulslang 3/8".....	Hydraulic tube 3/8" .....				
9	1	1		1137-0194-03	Hydraulslang .....	Hydraulic tube .....			3/8"	
10	1	1		1135-3903-01	Styrkonsol .....	Steering bracket.....				
11	1	1		1134-7198-01	Bakstycke .....	Rear plate.....				
12	1	1		1134-6881-01	Plåt, främre.....	Front plate.....			w/o cabin/utan hytt	
12	1	1		1134-7757-03	Plåt, främre.....	Front plate.....			with cabin/med hytt	
13	8	8		9893-0616-16	Skruv .....	Screw .....				
14	1	1		1134-6995-01	Fäste- styrservo .....	Bracket.....				
15	4	4		9959-0620-16	Skruv .....	Screw .....				
16	1	1		1134-7123-01	Låsspak .....	Locking lever.....				
17	3	3		9403-0053-01	Hatt.....	Cover cap.....				
18	3	3		9403-0052-01	Hattbricka .....	Cap ring .....				
19	1	1		9897-0820-16	Skruv .....	Screw .....				
20	1	1		1134-5173-02	Ratt kpl.....	Steering wheel assy .....				
21	1	1		1134-3769-01	.Styrknopp kpl .....	.Steering knob.....				
22	1	1		1134-3752-01	..Knoppfäste .....	..Knob holder .....				
23	1	1		9997-0870-16	..Skruv .....	..Screw .....				
24	1	1		1134-1565-06	..Distans .....	..Spacer.....				
25	3	3		9699-0090-02	..Bricka .....	..Washer.....				
26	1	1		9747-0831-02	..Mutter.....	..Nut .....				
27	1	1		9403-0043-70	..Ändplugg.....	..End plug.....				
28	1	1		9403-0113-00	..Mutterhatt.....	..Nut cap .....				
29	1	1		1134-5216-01	Rattrör- inre .....	Steering tube- inner.....				
30	1	1		1134-5177-01	..Slid .....	..Slide.....				
31	1	1		9710-0631-12	..Fyrkantmutter .....	..Square nut .....				
32	1	1		9595-0262-00	Spännstift .....	Locating pin .....			6 x 36	
33	1	1		1134-4481-02	Vingmutter.....	Wing nut .....				
34	1	1		9997-0630-12	Skruv .....	Screw .....				
37	2	2		9997-0855-12	Skruv .....	Screw .....				
38	4	4		9699-0056-02	Bricka .....	Washer.....				
39	2	2		9747-0831-02	Mutter.....	Nut .....				
40	1	1		9699-0090-02	Bricka .....	Washer.....				
41	3	3		9997-0820-16	Skruv .....	Screw .....				
42	3	3		9747-0831-02	Mutter.....	Nut .....				
45	1	1		1134-7557-01	Axel .....	Shaft .....				
47	1	1		081-470-01	Låsbricka .....	Lock washer.....				
48	1	1		1135-2514-01	Slitplåt .....	Wear plate .....				
49	2	2		9893-0616-16	Skruv .....	Screw .....				
50	1	1		9403-0055-01	Blindpropp.....	Plug .....				
51	1	1		1134-7409-01	Konsol .....	Bracket.....			with cabin/med hytt	
52	2	2		9893-0616-16	Skruv .....	Screw .....			with cabin/med hytt	



Utgåva Issue		Bildnr Picture No		TITAN HANDREGLAGE HAND CONTROLS			Sida Page	
2011-16		2391A					20	
Pos. Fig.	Antal/Quantity			Art nr Part No	Benämning	Description	Sats Kit	Anmärkning Notes
	7434 7435	7440 7441 7442						
1	1	1		1135-2577-01	Reglagefäste.....	Control attachment .....		
2	4	4		9959-0820-16	Skruv.....	Screw.....		
4	4	4		9739-0831-22	Mutter.....	Nut.....		
5	1	1		1135-3614-01	Samlingsplåt.....	Collecting plate .....		
6	2	2		9893-0616-16	Skruv.....	Screw.....		
7	1	1		1134-7698-01	Instrumentpanel .....	Dashboard .....		
8	3	3		9959-0616-16	Skruv.....	Screw.....		
9	1			1134-7257-03	Gasreglage.....	Throttle control .....		L = 2170
9		1		1134-7257-04	Gasreglage.....	Throttle control .....		L = 2610
10	1	1		9950-0530-16	Skruv.....	Screw.....		
11	1	1		9747-0531-02	Mutter.....	Nut.....		
12	1			1135-3062-01	Fäste.....	Bracket.....		
12		1		1135-2531-01	Fäste.....	Bracket.....		
13	2	2		9959-0612-16	Skruv.....	Screw.....		
14	1	1		1135-3278-01	Handspaksventil .....	Hydraulic valve.....		
15	2	2		9997-0650-12	Skruv.....	Screw.....		
16	2	2		9739-0631-22	Mutter.....	Nut.....		
17	1	1		1134-7474-01	Brytarhållare .....	Switch bracket .....		
18	1	1		1135-3127-01	Brytararm .....	Switch lever .....		
19	1	1		9997-0416-16	Skruv.....	Screw.....		
20	1	1		9652-0007-04	Spårryttare .....	Circlip.....		
21	3	3		9946-0525-16	Skruv.....	Screw.....		
22	3	3		1135-2497-01	Spak .....	Lever.....		
23	3	3		1135-2498-01	Knopp.....	Knob.....		
30	1	1		9400-0312-01	Mikrobrytare.....	Micro switch .....		
31	2	2		082-721-01	Skruv.....	Screw.....		
32	1	1		531-340-01	Mutterfäste.....	Nut plate .....		
33	1	1		1135-3058-01	Tätningssplatta.....	Seal plate .....		90 x 70 x 9

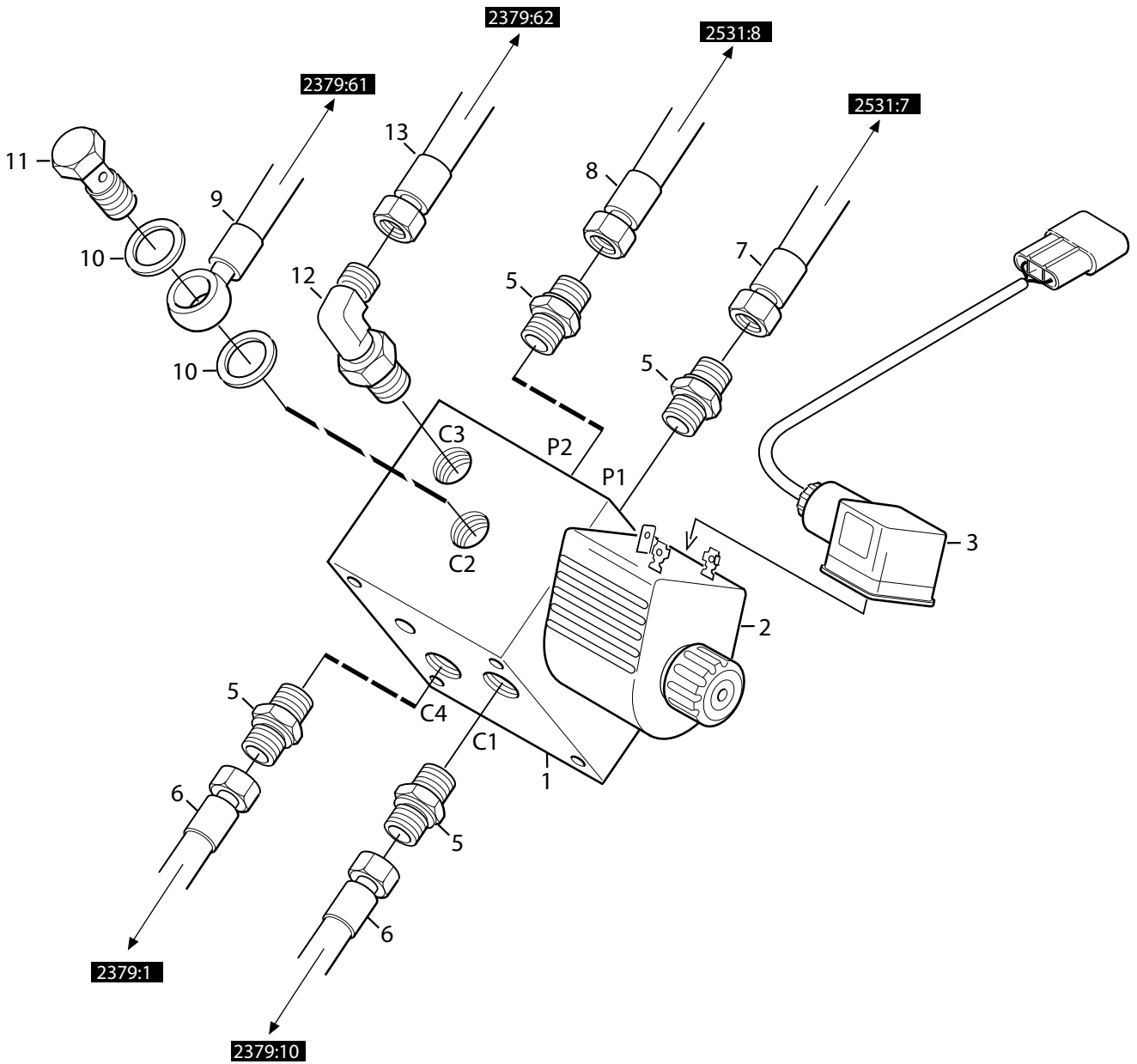


Utgåva Issue		Bildnr Picture No		TITAN 26H HANDSPAKSVENTIL			HYDRAULIC VALVE		Sida Page	
2011- 16		2388C							22	
Pos. Fig.	Antal/Quantity				Art nr Part No	Benämning	Description	Sats Kit	Anmärkning Notes	
	7434	7435								
x	1	1			1135-3278-01	Handspaksventil .....	Hydraulic valve.....			
x	1A	1			1139-2103-01	Tätningsskit.....	Seal kit .....			
x	1B	1			1139-2105-01	Flytlägeskit.....	Float kit .....			
x	1C	1			1139-2109-01	Kontrollventil .....	Check valve .....			
	2	6			1134-7165-01	Adapter .....	Hydraulic connector .....			
	3	1			1135-2910-01	Hydraulslang 1/4".....	Hydraulic tube 1/4" .....			
	4	1			1134-7143-01	Hydraulslang 1/4".....	Hydraulic tube 1/4" .....			
	5	1			1134-7146-01	Hydraulslang 1/4".....	Hydraulic tube 1/4" .....			
	6	1			1134-7145-01	Hydraulslang 1/4".....	Hydraulic tube 1/4" .....			
	7	2			1134-7147-01	Hydraulslang 1/4".....	Hydraulic tube 1/4" .....			
	9	1			1134-7156-01	Adapter .....	Hydraulic connector .....			
	10	1			1137-0194-01	Hydraulslang 3/8".....	Hydraulic tube 3/8" .....			
	11	1			1134-7073-01	Komp.vinkel.....	Angle coupling .....			
	14	1			1137-0195-11	Hydraulslang 3/8".....	Hydraulic tube3/8" .....			
	16	2			1134-7455-01	T- koppling.....	T- coupling .....			
	17	2			1134-7148-01	Hydraulslang 1/4".....	Hydraulic tube 1/4" .....			
	18	1			1135-2906-01	Vinkelstryppnippel.....	Angle connection .....			
	22	3			1135-2497-01	Spak .....	Lever .....			
	23	3			1135-2498-01	Knopp.....	Knob .....			

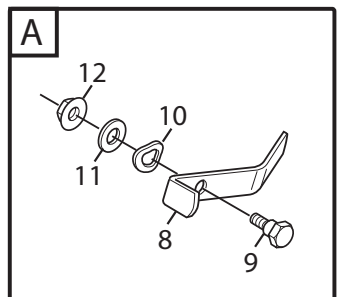
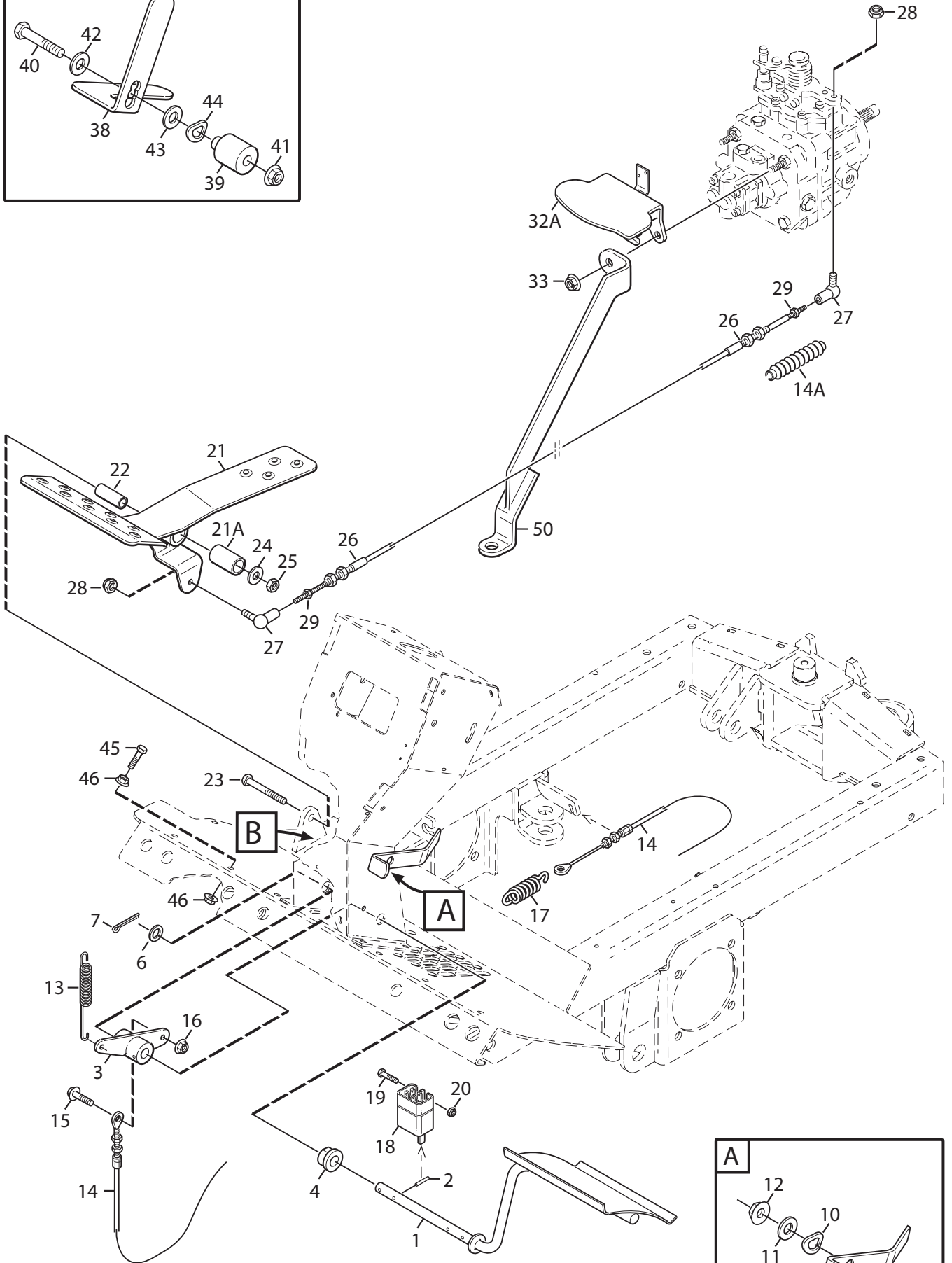
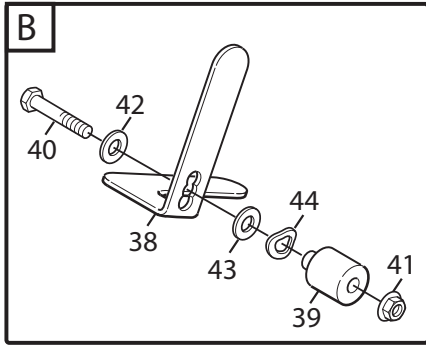




Utgåva Issue		Bildnr Picture No		TITAN 32H HANDSPAKSVENTIL			HYDRAULIC VALVE		Sida Page	
2011-16		2531A							24	
Pos. Fig.	Antal/Quantity				Art nr Part No	Benämning	Description	Sats Kit	Anmärkning Notes	
	7440	7441	7442							
x	1	1			1135-3278-01	Handspaksventil .....	Hydraulic valve.....			
x	1A	1			1139-2103-01	Tätningsskit.....	Seal kit .....			
x	1B	1			1139-2105-01	Flytlägeskit.....	Float kit .....			
x	1C	1			1139-2109-01	Kontrollventil .....	Check valve .....			
	2	5			1134-7165-01	Adapter .....	Hydraulic connector .....			
	3	1			1135-2910-01	Hydraulslang 1/4".....	Hydraulic tube 1/4" .....			
	4	1			1134-7143-01	Hydraulslang 1/4".....	Hydraulic tube 1/4" .....			
	5	1			1134-7146-01	Hydraulslang 1/4".....	Hydraulic tube 1/4" .....			
	6	1			1134-7145-01	Hydraulslang 1/4".....	Hydraulic tube 1/4" .....			
x	7	1			1137-0185-14	Hydraulslang 1/4".....	Hydraulic tube 1/4" .....			
	8	1			1134-7142-01	Hydraulslang 1/4".....	Hydraulic tube 1/4" .....			
	9	1			1134-7156-01	Adapter.....	Hydraulic connector .....			
x	10	1			1137-0194-01	Hydraulslang 3/8".....	Hydraulic tube 3/8" .....			
	11	1			1134-7073-01	Komp.vinkel.....	Angle coupling .....			
x	14	1			1137-0195-11	Hydraulslang .....	Hydraulic tube.....			
	18	1			1135-2906-01	Vinkelstryppnippel.....	Angle connection .....			
	22	3			1135-2497-01	Spak .....	Lever .....			
	23	3			1135-2498-01	Knopp.....	Knob .....			

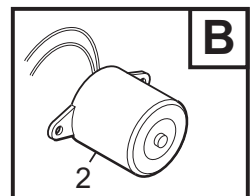
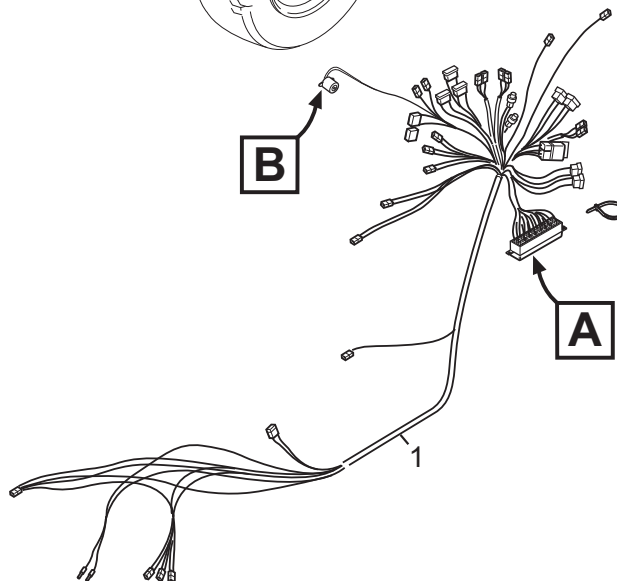
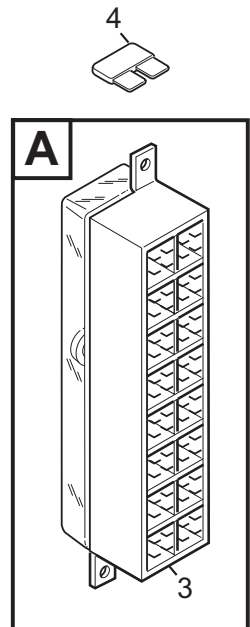
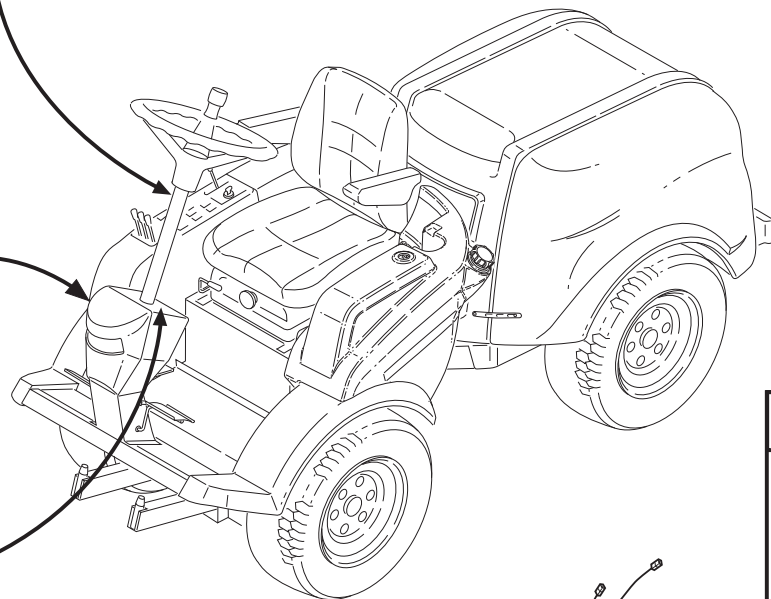
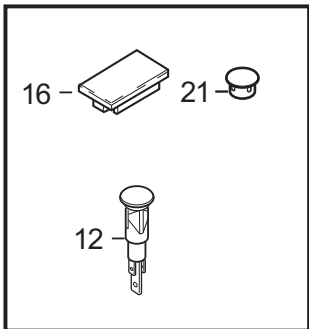
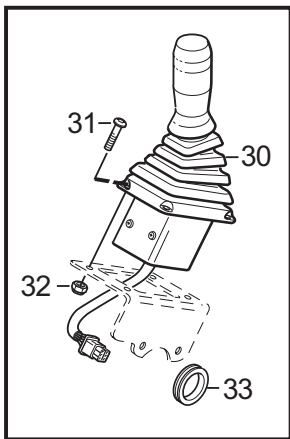
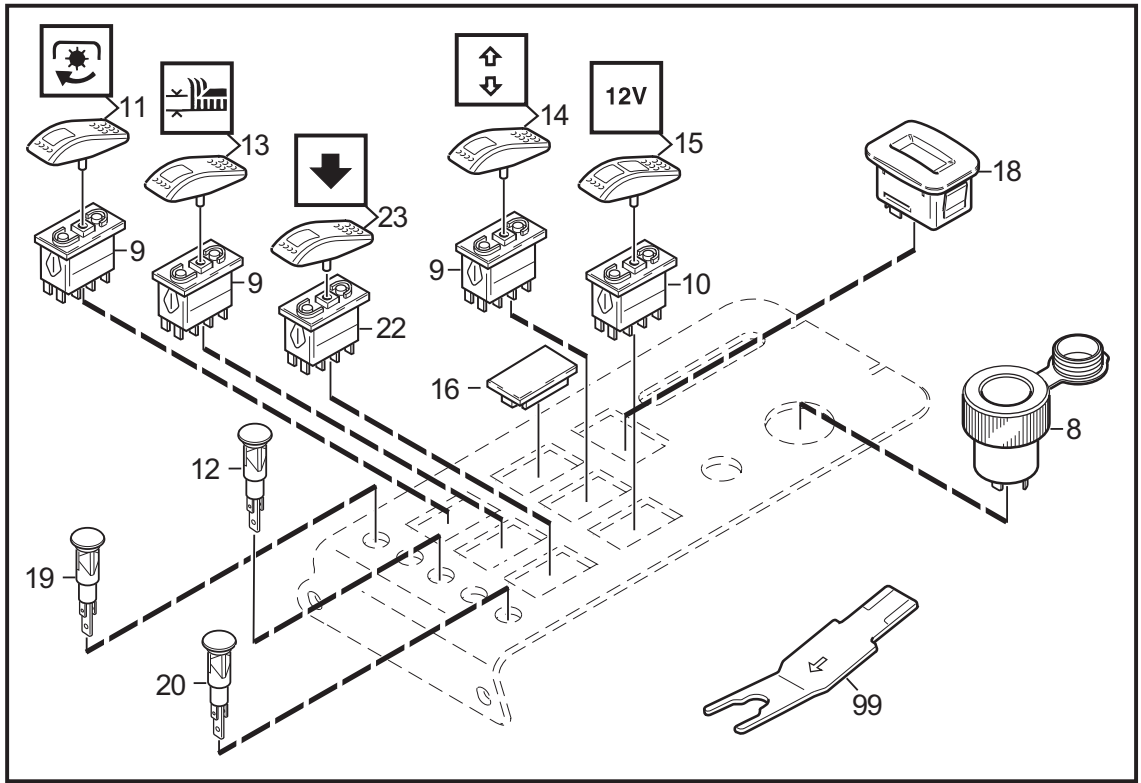


Utgåva Issue		Bildnr Picture No		TITAN 32H VÄLJARVENTIL SELECTOR VALVE			Sida Page		
2011- 16		2532					26		
Pos. Fig.	Antal/Quantity				Art nr Part No	Benämning	Description	Sats Kit	Anmärkning Notes
	7440	7441	7442						
	1	1			1135-2538-01	Väljarventil kpl .....	Selector valve .....		
	2	1			1139-2097-01	.Elventil .....	.Electric valve .....		
	3	1			1134-7225-01	Kablage .....	Harness .....		
	5	1			1134-7165-01	Adapter .....	Hydraulic connector .....		
x	6	2			1137-0184-03	Hydraulslang 1/4" .....	Hydraulic tube 1/4" .....		
x	7	1			1137-0185-14	Hydraulslang 1/4" .....	Hydraulic tube 1/4" .....		
	8	1			1134-7142-01	Hydraulslang 1/4" .....	Hydraulic tube 1/4" .....		
x	9	1			1137-0192-01	Hydraulslang 1/4" .....	Hydraulic tube 1/4" .....		
	10	1			1134-4948-01	Tredobricka .....	Seal washer .....		
	11	1			1135-2704-01	Banjoskruv .....	Banjo bolt .....		
	12	1			1135-2703-01	Vinkeladapter .....	Angle connector .....		
x	13	1			1137-0186-01	Hydraulslang 1/4" .....	Hydraulic tube 1/4" .....		

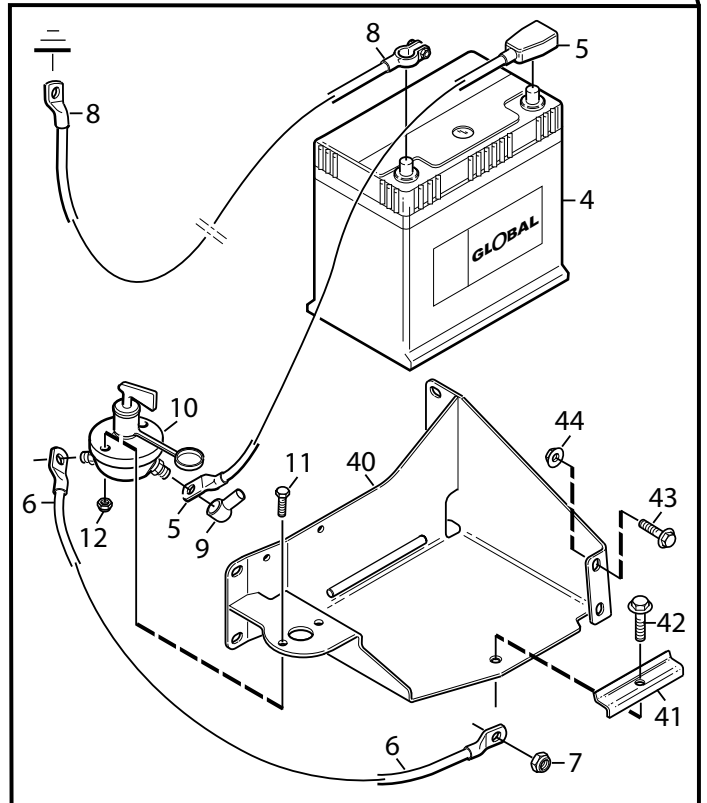
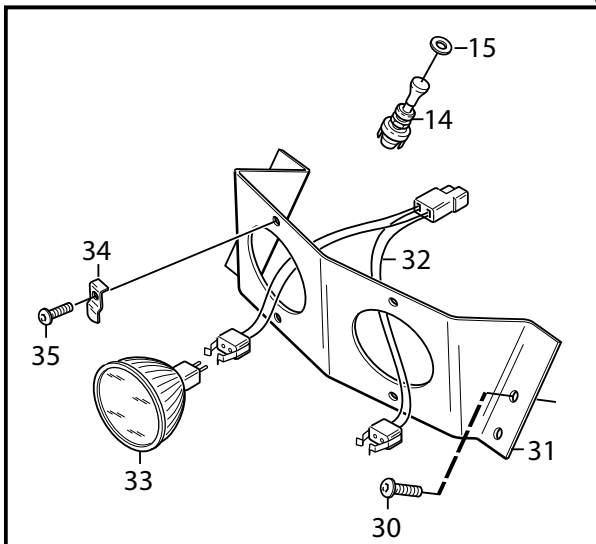
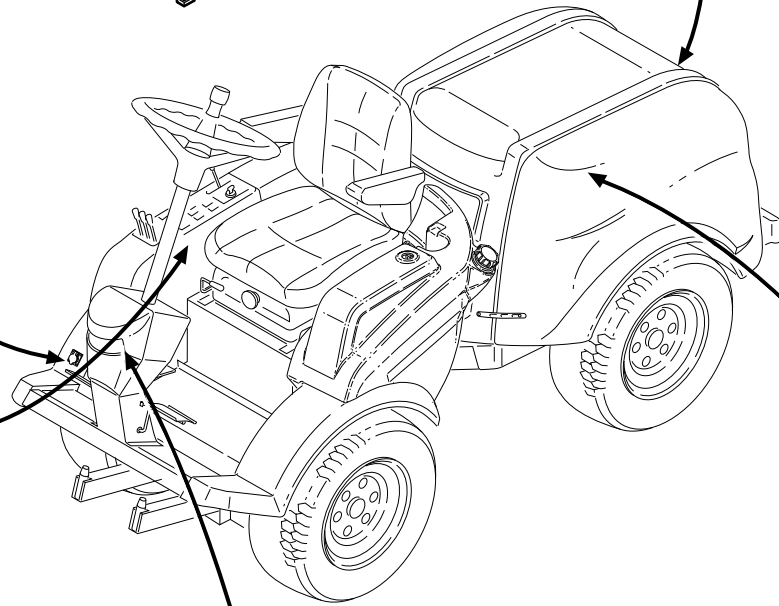
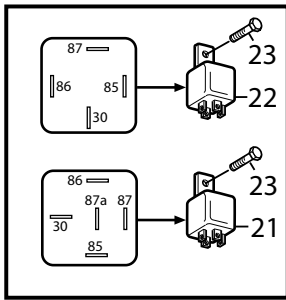
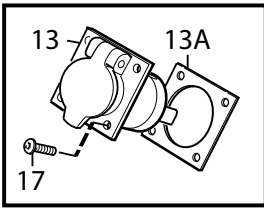
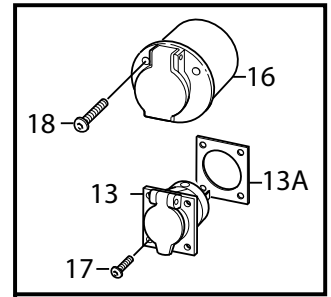
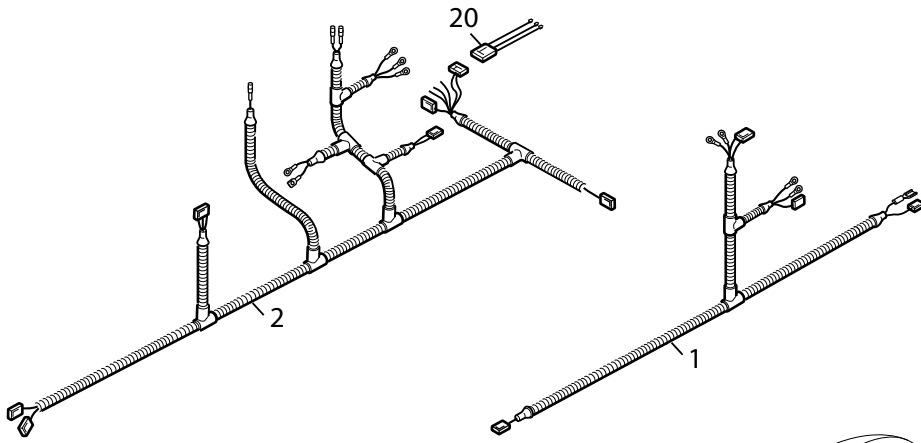


Utgåva Issue		Bildnr Picture No		TITAN FOTREGLAGE			FOOT CONTROLS		Sida Page	
2011-16		2373B							28	
Pos. Fig.	Antal/Quantity			Art nr Part No	Benämning	Description	Sats Kit	Anmärkning Notes		
	7434 7435	7440 7441 7442								
1	1	1		1134-7267-02	Bromspedal .....	Brake pedal .....				
2	3	3		9595-0210-00	Spännstift .....	Locating pin .....				
3	1	1		1135-2820-01	Bromsarm .....	Brake lever .....				
4	1	1		1134-6313-01	Lager .....	Bearing .....				
6	1	1		9699-0036-02	Bricka .....	Washer .....				
7	1	1		9599-0080-02	Saxpinne .....	Cotter pin .....				
8	1	1		1134-7265-01	Bromsspärr .....	Brake lock .....				
9	1	1		1134-0240-01	Ansatsbult .....	Shoulder bolt .....				
10	1	1		9694-0001-00	Fjäderbricka .....	Spring washer .....				
11	1	1		1134-4242-01	Distansbricka .....	Spacer washer .....				
12	1	1		9747-0831-02	Mutter .....	Nut .....				
13	1	1		1134-7401-01	Fjäder .....	Spring .....				
14	2	2		1134-7281-01	Bromswire .....	Brake cable .....				
14A	2	2		1135-3948-01	Gummibälg .....	Rubber protection .....				
15	1	1		9997-0525-16	Skruv .....	Screw .....				
16	1	1		9747-0531-02	Mutter .....	Nut .....				
17	2	2		1134-7321-01	Dragfjäder .....	Tow spring .....				
17	2	2		1135-3307-01	Dragfjäder .....	Tow spring .....				
18	1	1		1134-3399-01	Brytare .....	Switch .....				
19	2	2		9997-0520-16	Skruv .....	Screw .....				
20	2	2		9747-0531-02	Mutter .....	Nut .....				
21	1	1		1134-7216-01	Fartpedal kpl. ....	Drive pedal .....				
21A	1	1		9548-0027-01	.Glidlager .....	.Bearing .....				
22	1	1		1134-7217-01	Distans .....	Spacer .....				
23	1	1		9997-1050-12	Skruv .....	Screw .....				
24	1	1		9699-0030-02	Bricka .....	Washer .....				
25	1	1		1134-4775-01	Mutter .....	Nut .....				
26	1	1		1134-7054-01	Reglagekabel .....	Control cable .....				
27	2	2		9570-0004-00	Vinkellänk .....	Elbow link .....				
28	2	2		9747-0631-02	Mutter .....	Nut .....				
29	2	2		9739-0631-22	Mutter .....	Nut .....				
32	1	1		1135-3911-01	Farthållarplåt .....	Speed control plate .....				
33	2	2		9747-1031-02	Mutter .....	Nut .....				
38	1	1		1134-7593-01	Fartpedalsspärr .....	Drive pedal stop .....				
39	1	1		1134-7594-01	Distans .....	Spacer .....				
40	1	1		9997-0845-12	Skruv .....	Screw .....				
41	1	1		9739-0831-22	Mutter .....	Nut .....				
42	1	1		9699-0062-02	Bricka .....	Washer .....				
43	1	1		9695-0011-00	Bricka .....	Washer .....				
44	1	1		9694-0001-00	Fjäderbricka .....	Spring washer .....				
45	1	1		9997-0835-16	Skruv .....	Screw .....				
46	2	2		9739-0831-22	Mutter .....	Nut .....				
x 50	1	1		1135-2706-02	Momentstag .....	Strut .....				

with Cabin  
w/o Cabin



Utgåva Issue 2011-16		Bildnr Picture No 2393B		TITAN ELSYSTEM 1 ELECTRICAL SYSTEM 1			Sida Page 30	
Pos. Fig.	Antal/Quantity			Art nr Part No	Benämning	Description	Sats Kit	Anmärkning Notes
	7434 7435	7440 7441 7442						
1	1	1		1135-3311-01	Kablage kpl.....	Cable harness .....		
2	1	1		1134-7530-01	.Summer.....	.Beeper.....		
3	1	1		9400-0342-01	.Säkringshållare.....	.Fuse holder .....		
3	1	1		9400-0350-01	.Lock f säkringshållare.....	.Cover for fuse holder .....		
4	1	1		1134-3496-08	Säkring .....	Fuse .....		40A
4	1	1		1134-3496-07	Säkring .....	Fuse .....		30A
4	1	1		1134-3496-06	Säkring .....	Fuse .....		20A
4	4	4		1134-3496-01	Säkring .....	Fuse .....		10A
5	1	1		9400-0345-01	Brytare- varn.blinkers .....	Switch- hazard .....		with cabin/med hytt
6	1	1		9400-0343-02	Vippa .....	Switch cover .....		with cabin/med hytt
8	1	1		9400-0317-02	Eluttag .....	Socket .....		
9	3	3		9400-0282-01	Brytare.....	Switch .....		
10	1	1		9400-0321-01	Brytare.....	Switch .....		
11	1	1		9400-0343-01	Vippa .....	Switch cover .....		PTO
12	2	2		9400-0346-01	Kontrollampa- blink röd .....	Pilot lamp- flashing red .....		
13	1	1		9400-0280-03	Vippa .....	Switch cover .....		
14	1	1		9400-0280-04	Vippa .....	Switch cover .....		
15	1	1		9400-0322-01	Vippa .....	Switch cover .....		
16	2	2		1134-4129-01	Täckbricka .....	Cover .....		
17	1	1		9400-0320-03	Kontrollampa- grön.....	Pilot lamp- green.....		with cabin/med hytt
18	1	1		1134-6097-02	Timräknare .....	Hour meter.....		
19	3	3		9400-0320-01	Kontrollampa- röd.....	Pilot lamp- red.....		
20	1	1		9400-0320-02	Kontrollampa- orange.....	Pilot lamp- orange.....		
21	1	1		9403-0054-01	Blindpropp.....	Cover plug.....		with cabin/med hytt
22		1		9400-0283-01	Brytare.....	Switch .....		
23		1		9400-0280-08	Vippa .....	Switch cover .....		
30	1	1		9400-0336-01	Ljuskontrollarm .....	Light control switch .....		with cabin/med hytt
31	4	4		9997-0416-16	Skruv .....	Screw.....		with cabin/med hytt
32	4	4		9747-0421-02	Mutter.....	Nut.....		with cabin/med hytt
33	1	1		9400-0340-01	Kabelgenomföring .....	Grommet.....		with cabin/med hytt
99	1	1		9400-0290-01	Verktyg för vippa .....	Tool for covers .....		Acessory/tillbehör





Utgåva Issue		Bildnr Picture No		TITAN ELSYSTEM 2			ELECTRICAL SYSTEM 2		Sida Page	
2011- 16		2394B							32	
Pos. Fig.	Antal/Quantity			Art nr Part No	Benämning	Description	Sats Kit	Anmärkning Notes		
	7434 7435	7440 7441 7442								
1	1	1		1135-2810-01	Kablage- vä .....	Harness- LH .....				
2	1	1		1135-3451-01	Kablage- hö .....	Harness- RH .....				
3	1	1		9739-0631-22	Mutter .....	Nut .....				
4	1	1		1134-7203-01	Batteri .....	Battery .....		40 Ah		
5	1	1		1134-7235-01	Kabel (pluspol) .....	Cable (+) .....		L = 450		
6	1	1		1134-7236-01	Kabel- röd .....	Cable- red .....		L = 500		
7	1	1		9739-0831-22	Mutter .....	Nut .....				
8	1	1		1134-7237-03	Kabel (minuspol) .....	Cable (-) .....		L = 600		
9	2	2		9400-0324-01	Isoleringshatt- röd .....	Insulator lug .....				
10	1	1		9400-0316-01	Huvudströmbrytare .....	Main switch .....				
11	2	2		9997-0520-16	Skruv .....	Screw .....				
12	2	2		9747-0531-02	Mutter .....	Nut .....				
13	2	2		1134-7535-01	Honkontakt .....	Female terminal .....				
13A	1	1		1134-6318-01	.Tätning .....	.Seal .....				
14	1	1		9400-0296-01	Dragströmbrytare .....	Switch .....		w/o cabin/utan hytt		
15	1	1		9699-0090-02	Bricka .....	Washer .....		w/o cabin/utan hytt		
16	1	1		084-036-01	Stickdosa .....	Socket .....				
17	4	4		9840-7716-16	Skruv .....	Screw .....				
18	3	3		9946-0525-16	Skruv .....	Screw .....				
20	1	1		1134-7528-01	Kontaktionskabel .....	Connector cable .....				
21	1	1		1134-2871-03	Relä .....	Relay .....				
22	1	1		1134-2871-01	Relä .....	Relay .....				
23	2	2		9997-0520-16	Skruv .....	Screw .....				
30	4	4		9893-0616-16	Skruv .....	Screw .....				
31	1	1		1134-7487-01	Lampkonsol .....	Lamp bracket .....		w/o cabin/utan hytt		
32	1	1		1134-7505-01	Kablage .....	Harness .....		w/o cabin/utan hytt		
33	2	2		9400-0326-01	Halogenlampa .....	Halogene bulb .....		w/o cabin/utan hytt		
34	4	4		1134-7488-01	Clips .....	Clips .....		w/o cabin/utan hytt		
35	4	4		9852-8013-16	Skruv .....	Screw .....				
40	1	1		1135-3725-01	Batterihållare .....	Battery holder .....				
41	1	1		1134-6943-01	Batteriklämma .....	Battery clamp .....				
42	1	1		9959-0825-16	Skruv .....	Screw .....				
43	4	4		9959-0820-16	Skruv .....	Screw .....				
44	4	4		9739-0831-22	Mutter .....	Nut .....				
45	4	4		9945-0816-16	Skruv .....	Screw .....				