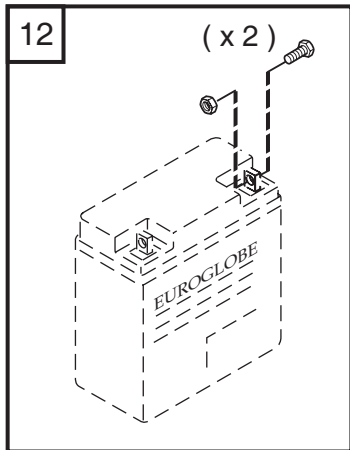
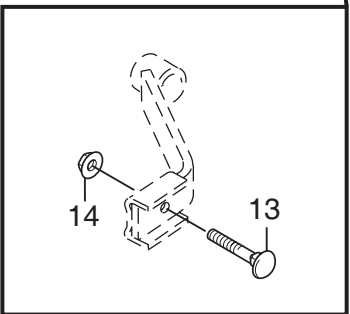
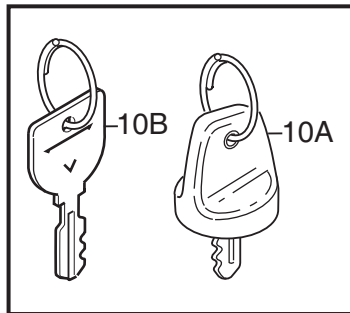
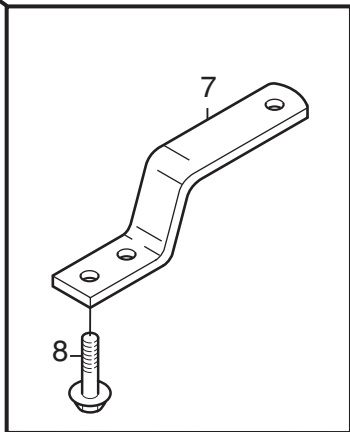
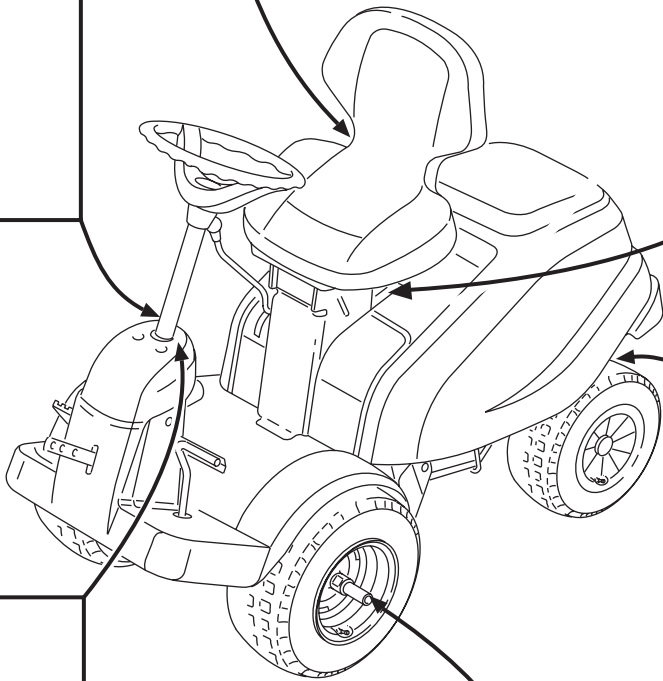
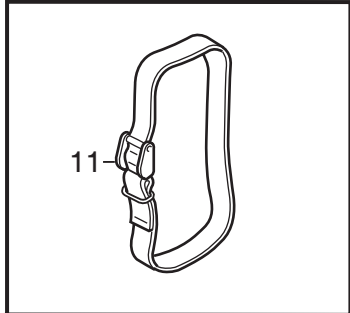
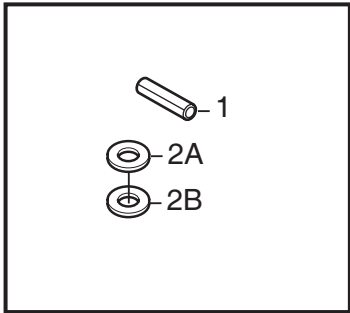
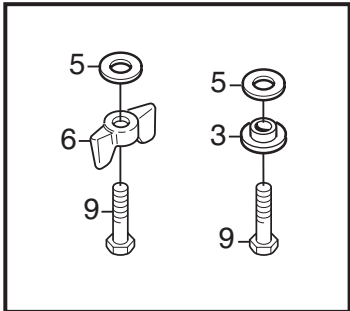
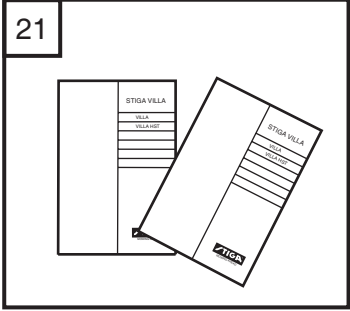
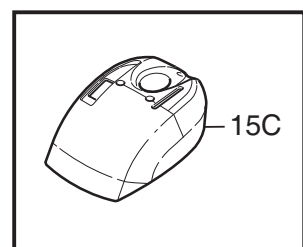
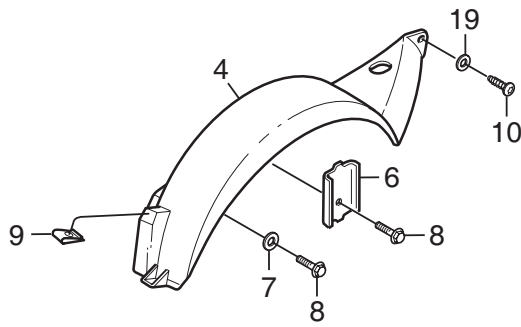
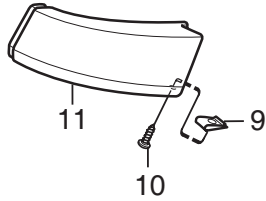
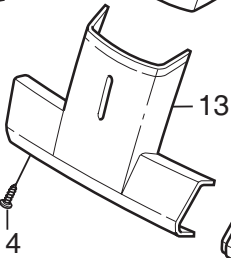
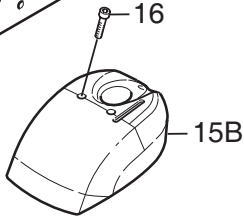
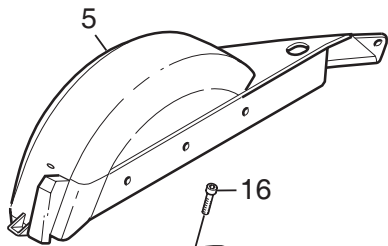
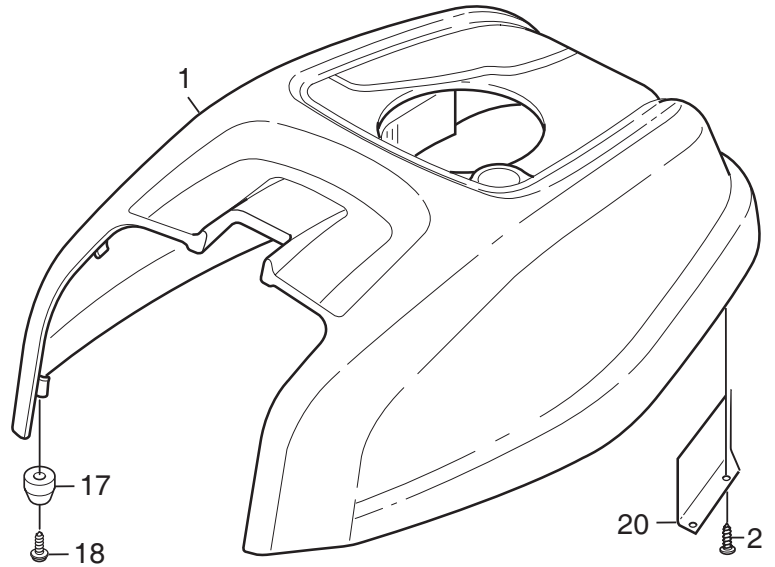
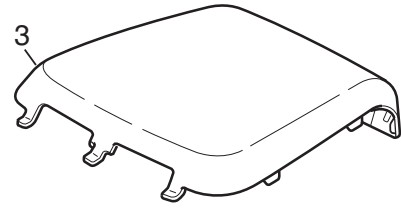


Genuine Spare Parts

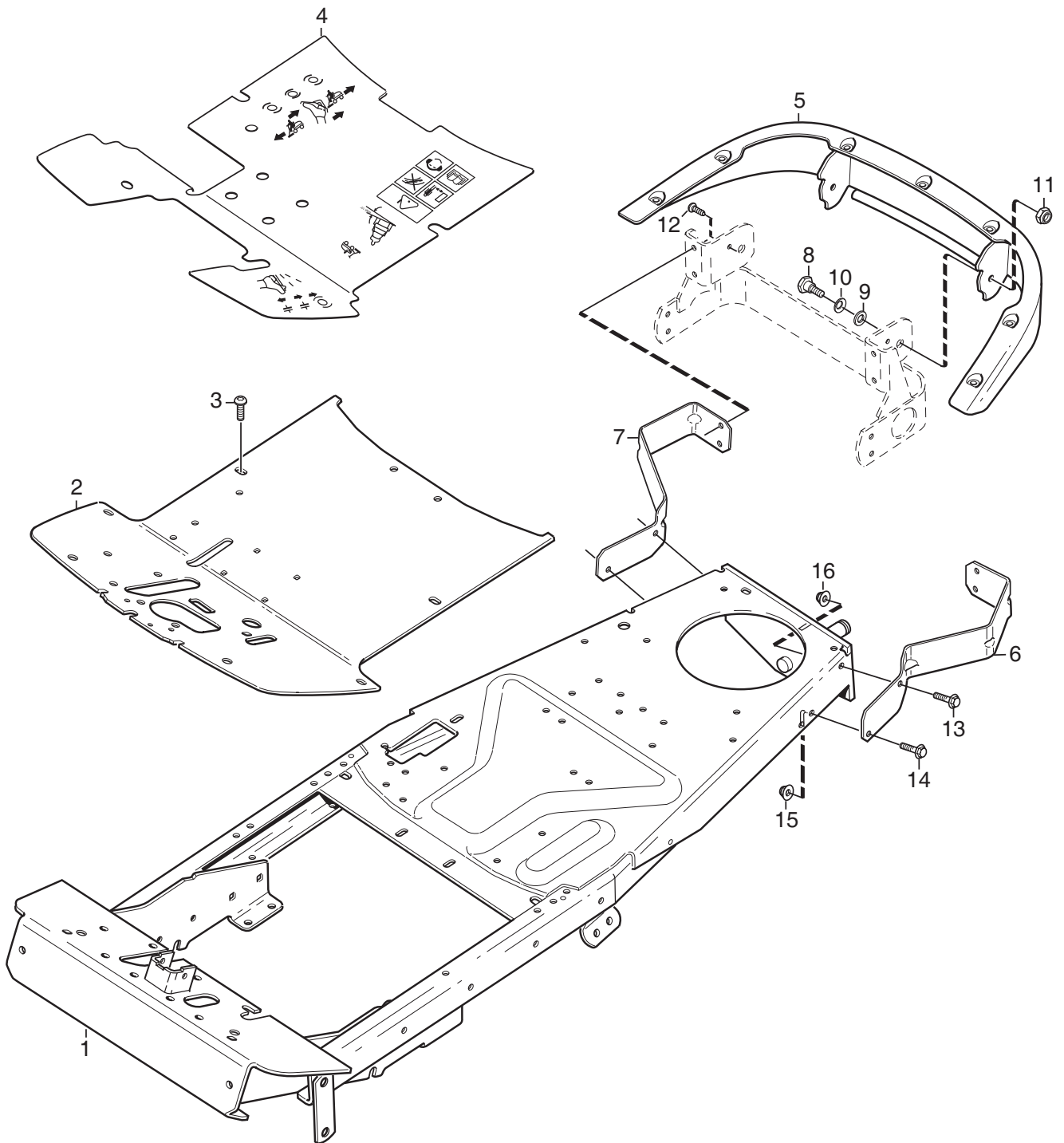




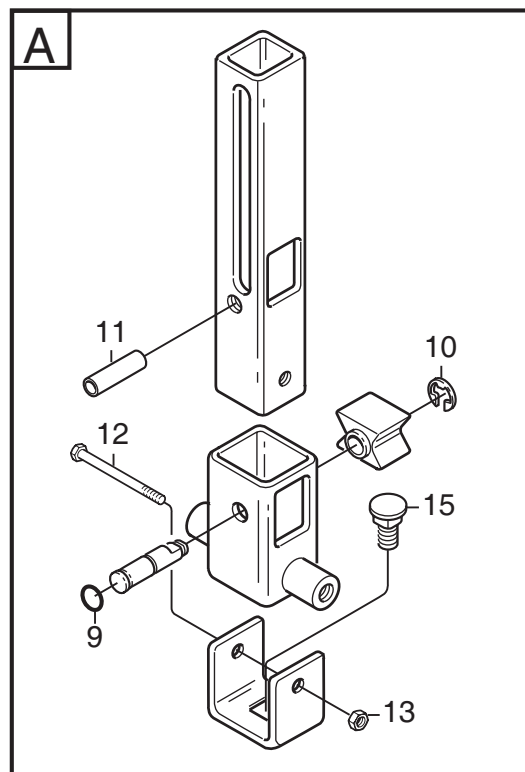
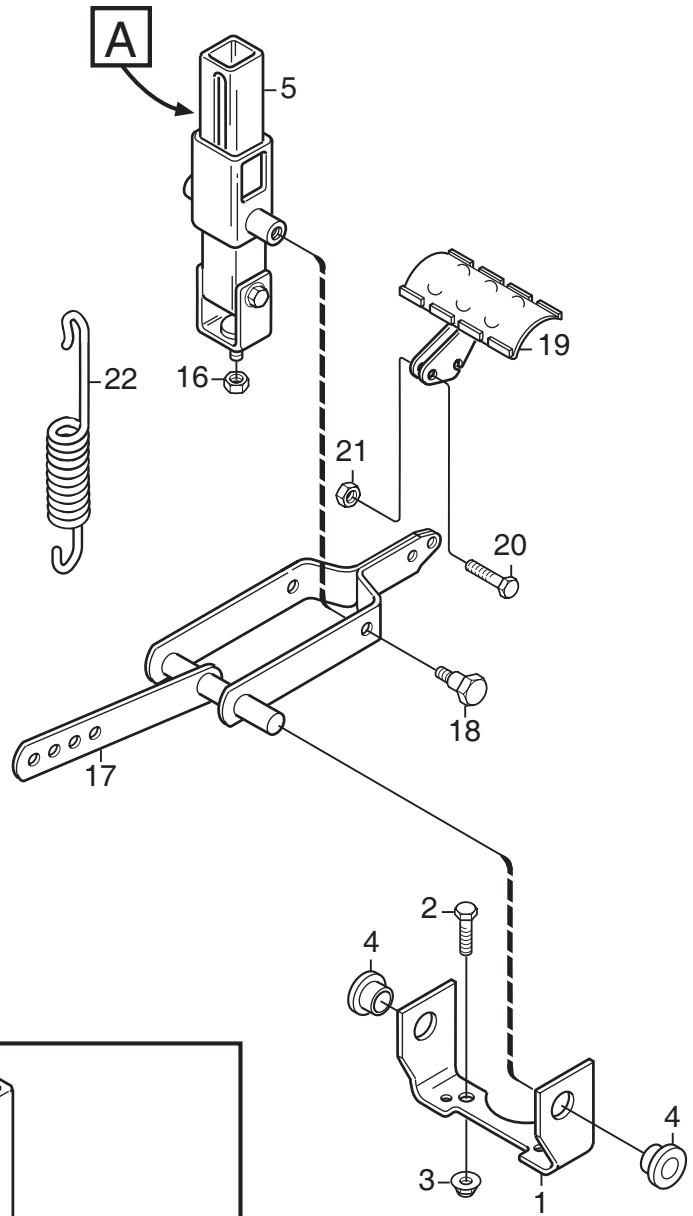
Utgåva Issue		Bildnr Picture No		VILLA HST MONTERINGSDETALJER		VILLA HST ASSEMBLY PARTS		Sida Page	
2010- 11		2196A						264	
Pos. Fig.	Antal/Quantity			Art nr Part No	Benämning	Description	Sats Kit	Anmärkning Notes	
	2727	2718 2728 2729							
	1	1	1	9595-0262-00	Spännstift	Locating pin			
	2A	1	1	9699-0103-02	Shims	Flat washer		0.5 mm	
	2B	1	1	9699-0114-02	Shims	Flat washer		1.0 mm	
	3	2	2	1134-4185-01	Ansatsbricka	Flange washer			
	5	4	4	9699-0056-02	Planbricka	Flat washer			
	6	2	2	1134-4481-01	Vingmutter	Wing nut			
	7	1	1	1134-4627-01	Dragögla	Tow bar			
	8	2	2	9959-0820-16	Skruv	Screw			
	9	4	4	9997-0820-16	Skruv	Screw			
	10A	1	1	1134-4734-01	Tändningsnyckel	Ignition key			
	10B	1	1	1134-6125-01	Tändningsnyckel	Ignition key			
	11	1	1	1134-5245-01	Batterirem	Battery strap			
	12	1	1	1134-6113-01	Batteriskruvar	Battery screws			
	13	2	2	9898-1035-16	Skruv	Screw			
	14	2	2	9739-1031-22	Mutter	Nut			
X	21		1	8211-0011-00	Bruksanvisning	Owner's manual			
X	21	1		8211-0036-00	Bruksanvisning	Owner's manual			
	21	1	1	8211-0603-90	Monteringsanvisning	Assy instructions			
	21	1	1	8211-0701-91	Säkerhetsföreskrifter	Safety regulations			
X	21	1	1	8211-0960-00	Garantikort	Warranty card			



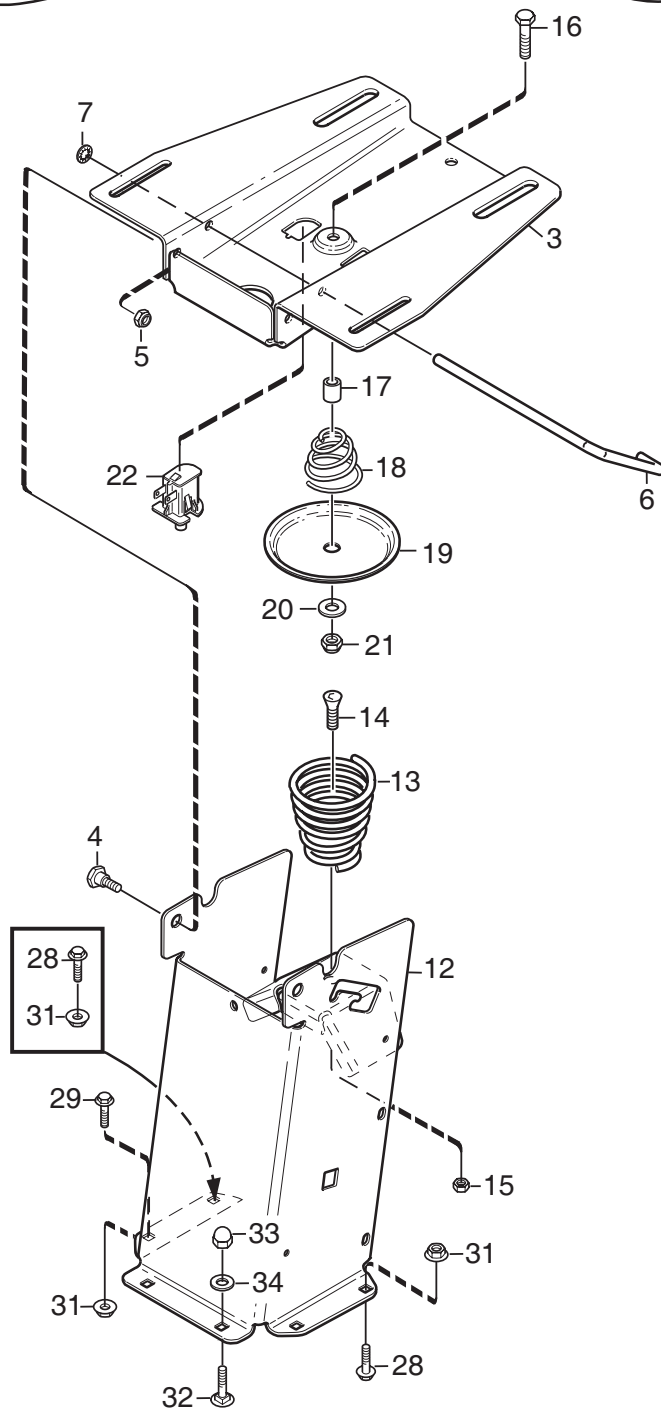
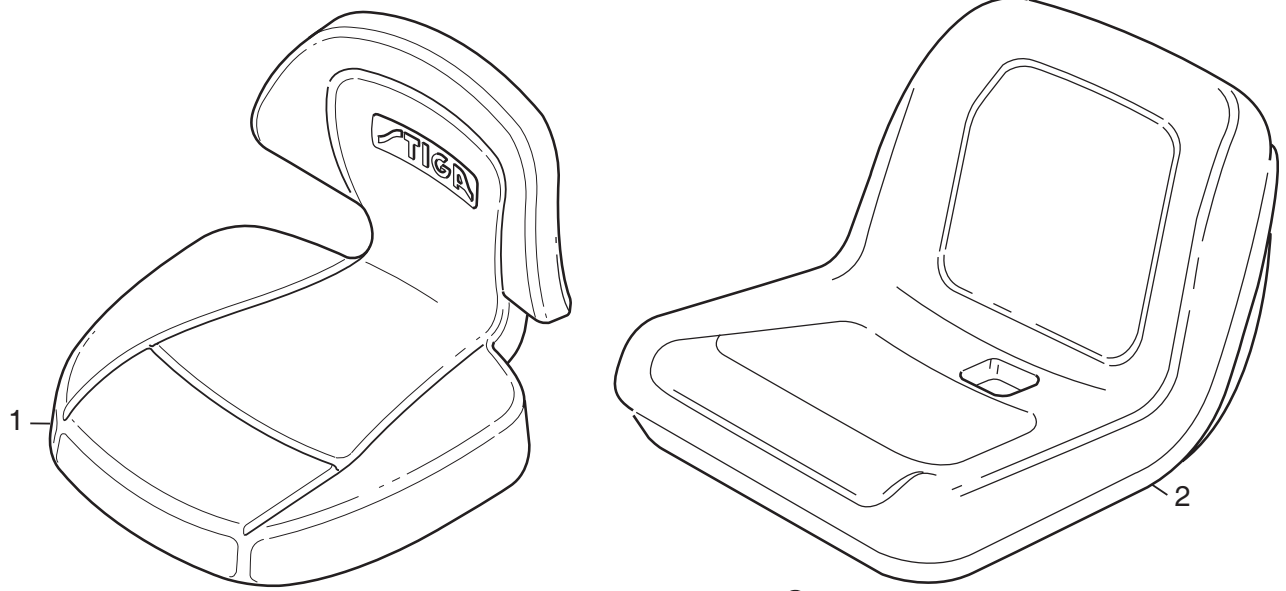
Utgåva Issue 2010-11		Bildnr Picture No 2197A		VILLA HST KAROSS		VILLA HST BODY WORK		Sida Page 266	
Pos. Fig.	Antal/Quantity				Art nr Part No	Benämning	Description	Sats Kit	Anmärkning Notes
	2727 2729	2718	2728						
X	1	1	1	1	1134-5283-02	Motorhuv- gul	Engine hood- yellow		
	2	7	7	7	9838-9530-12	Skruv	Screw		
	3	1	1	1	1134-5284-02	Motorlucka- grå	Engine cover- grey		
	4	1	1	1	1134-5307-01	Stänkskärm- vä, grå	Mud guard- LH, grey		
	5	1	1	1	1134-5307-02	Stänkskärm- hö, grå	Mud guard- RH, grey		
	6	2	2	2	1137-0088-01	Stödplåt	Support plate		
	7	4	4	4	9699-0056-02	Planbricka	Flat washer		
	8	6	6	6	9945-0816-16	Skruv	Screw		
	9	4	4	4	1134-4176-01	Clips	Clips		
	10	4	4	4	9893-0616-16	Skruv	Screw		
	11	1	1	1	1134-5306-01	Stötfångare, front- vä	Bumper, front- LH		
	12	1	1	1	1134-5306-02	Stötfångare, front- hö	Bumper, front- RH		
	13	1	1	1	1134-5305-01	Front- nedre	Front plate- lower		
	14	6	6	6	9893-0616-16	Skruv	Screw		
	15B	1	1		1134-5320-02	Front- övre	Front- upper		
	15C			1	1134-5320-05	Front- övre	Front- upper		
	16	2	2	2	9946-0525-16	Skruv	Screw		
	17	2	2	2	1134-4790-02	Styrning	Hood guide		
	18	2	2	2	9838-9530-12	Skruv	Screw		
	19	2	2	2	9699-0060-02	Planbricka	Flat washer		
20			1	1134-6199-01	Deflektor	Deflector			
99	1			1134-6426-01	Dekalsats	Label kit		Villa 12	
99		1		1134-6426-02	Dekalsats	Label kit		Villa 14 HST	



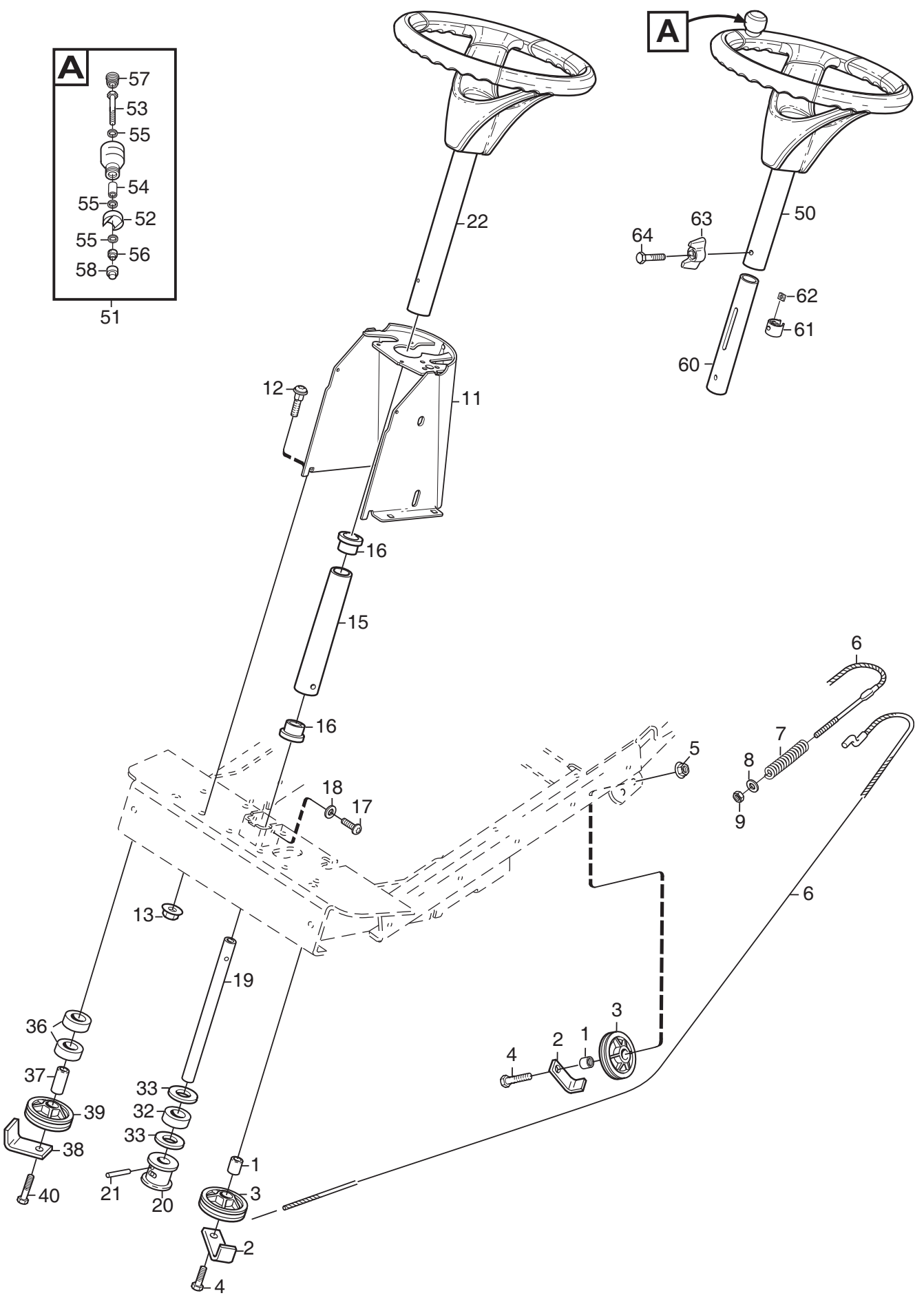
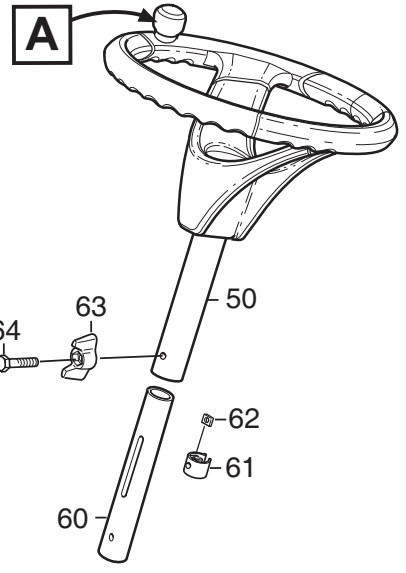
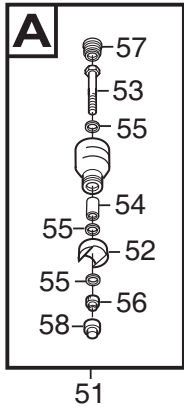
Utgåva Issue		Bildnr Picture No		VILLA HST RAM		VILLA HST FRAME		Sida Page	
2010- 11		1642B						268	
Pos. Fig.	Antal/Quantity				Art nr Part No	Benämning	Description	Sats Kit	Anmärkning Notes
	2718	2727	2728	2729					
1	1				1134-6635-01 Ram.....	Frame.....			
2	1				1134-5293-01 Durk.....	Floor plate.....			
3	2				9893-0616-16 Skruv.....	Screw.....			
4	1				1134-5339-03 Durkmatta.....	Floor mat.....			
5	1				1134-5453-03 Stötfångare- bak, grå.....	Bumper- rear, grey.....			
6	1				1134-6630-01 Stag- vä.....	Attachment- LH.....			
7	1				1134-6630-02 Stag- hö.....	Attachment- RH.....			
8	2				1134-0240-00 Ansatskruv.....	Shoulder screw.....			
9	2				1134-4242-01 Distansbricka.....	Spacer washer.....			
10	2				9694-0001-00 Fjäderbricka.....	Washer.....			
11	2				9747-0831-02 Mutter.....	Lock nut.....			
12	2				9943-0516-16 Skruv.....	Screw.....			
13	2				9959-0820-16 Skruv.....	Screw.....			L = 20 mm
14	2				9959-0825-16 Skruv.....	Screw.....			L = 25 mm
15	1				9739-0831-22 Mutter.....	Nut.....			
16	3				9739-0831-22 Mutter.....	Nut.....			



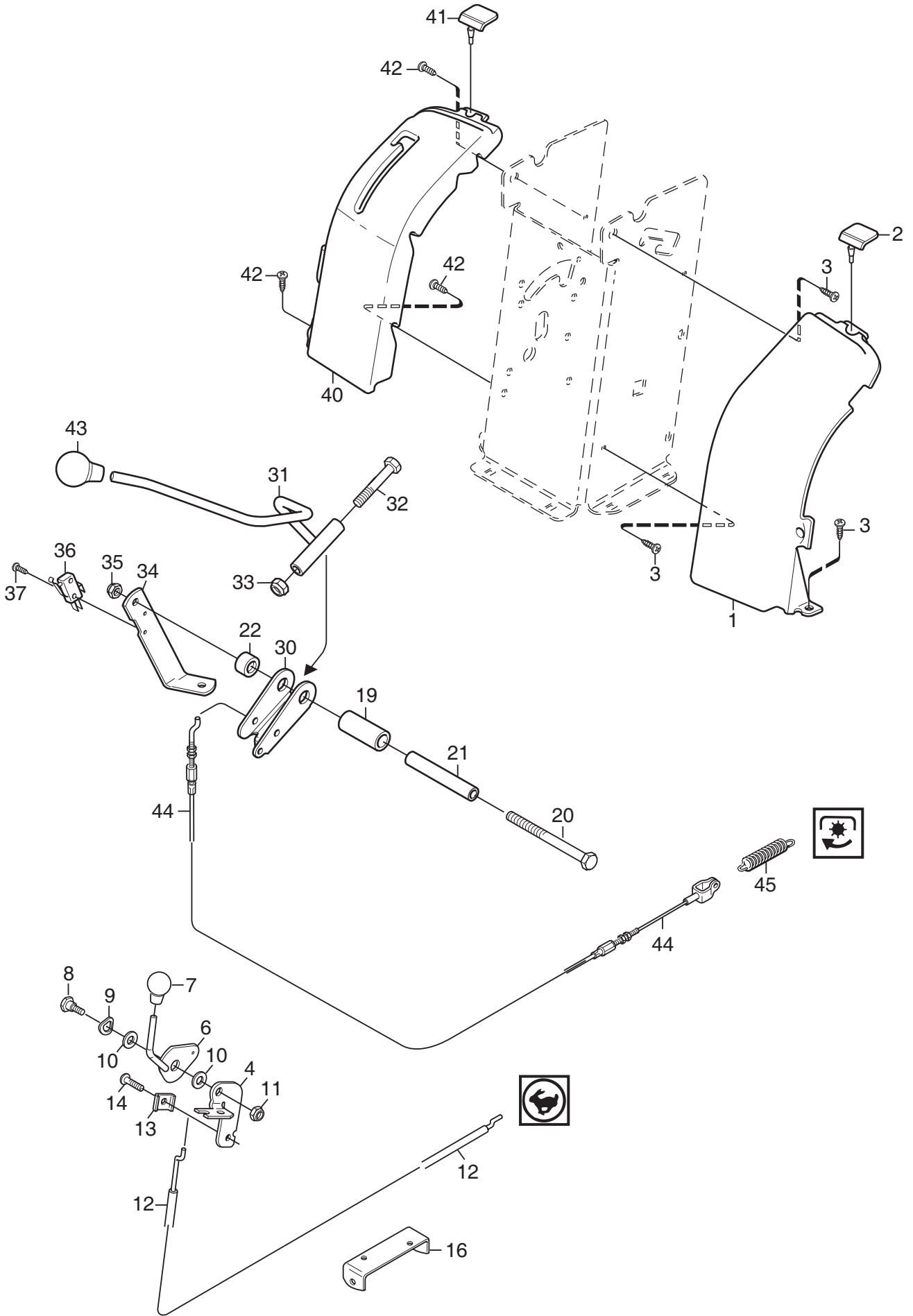
Utgåva Issue		Bildnr Picture No		VILLA HST REDSKAPSLYFT		VILLA HST LIFTING DEVICE		Sida Page	
2010-11		1151C						270	
Pos. Fig.	Antal/Quantity				Art nr Part No	Benämning	Description	Sats Kit	Anmärkning Notes
	2718	2727	2728	2729					
1	1				1134-4117-01 Fäste	Bracket			
2	2				9959-1025-16 Skruv	Screw			
3	2				9739-1031-22 Mutter	Nut			
4	2				1134-2684-01 Lager	Bearing			
5	1				1134-4945-01 Lyftspärr kpl	Lift catch assy			
9	1				9404-0027-01 • O-ring	• O-ring			
10	1				9650-0039-04 • Seegersäkring	• Lock ring			
11	1				9595-0276-01 • Spännstift	• Locating pin			
12	1				9997-0640-12 • Skruv	• Screw			
13	1				9747-0631-02 • Låsmutter	• Lock nut			
15	1				9897-0820-16 • Skruv	• Screw			
16	1				9747-0831-02 Mutter	Lock nut			
17	1				1134-4860-01 Lyftgaffel	Lift fork			
18	2				1134-0240-00 Ansätsskruv	Shoulder screw			
19	1				1134-4938-01 Lyftpedal	Lift pedal			
20	2				9997-0625-16 Skruv	Screw			
21	2				9739-0631-22 Mutter	Nut			
22	1				4231-0013-00 Fjäder	Spring			



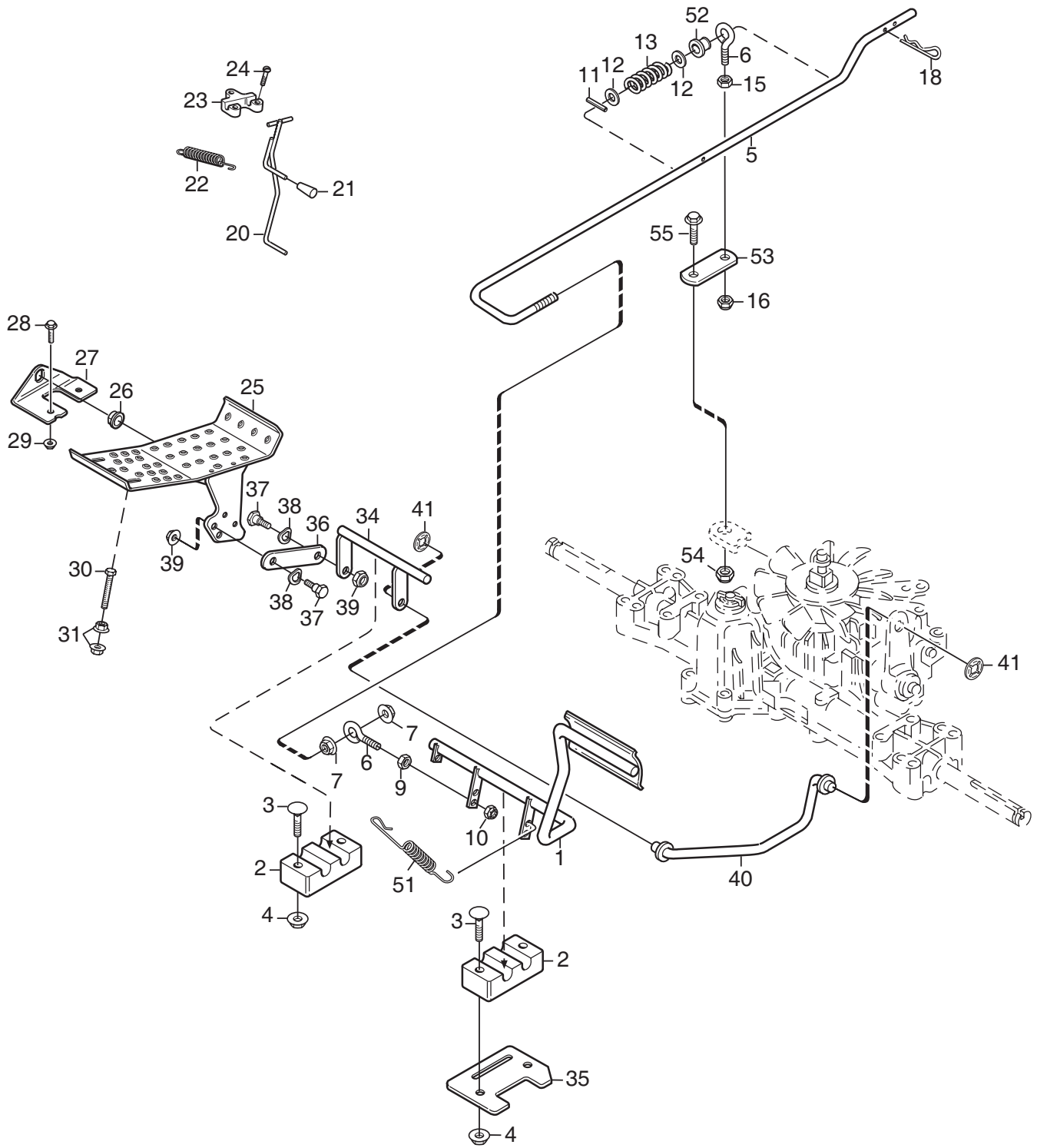
Utgåva Issue		Bildnr Picture No		VILLA HST SITS		VILLA HST SEAT		Sida Page	
2010- 11		2198A						272	
Pos. Fig.	Antal/Quantity			Art nr Part No	Benämning	Description	Sats Kit	Anmärkning Notes	
	2727 2729	2718 2728							
1	1			1134-5506-01	Sits	Seat.....			
2		1		1134-6444-01	Sits	Seat.....			
3	1	1		1134-5301-01	Sitsplatta	Seat plate			
4	2	2		1134-0240-00	Ansatssskruv.....	Shoulder screw.....			
5	2	2		9747-0831-02	Mutter.....	Lock nut.....			
6	1	1		1134-5454-01	Spärr	Catch.....			
7	1	1		9675-0012-02	Starlock	Locking washer.....			
12	1	1		1134-5296-04	Sitskonsol- gul.....	Seat bracket- yellow			
13	1	1		1134-4256-01	Sitsfjäder	Seat spring.....			
14	1	1		9924-1235-19	Skruv.....	Screw.....			
15	1	1		9747-1231-02	Låsmutter	Lock nut.....			
16	1	1		9997-0840-16	Skruv.....	Screw.....			
17	1	1		1134-1565-06	Distans	Spacer			
18	1	1		1134-5302-01	Fjäder.....	Spring			
19	1	1		1134-5299-01	Tryckplatta.....	Push plate			
20	1	1		9699-0090-02	Planbricka.....	Flat washer.....			
21	1	1		9747-0831-02	Mutter.....	Lock nut.....			
22	1	1		1134-3156-02	Brytare (grå).....	Switch (grey)			
28	3	3		9959-0820-16	Skruv.....	Screw.....		L = 20 mm	
29	1	1		9959-0825-16	Skruv.....	Screw.....		L = 25 mm	
31	4	4		9739-0831-22	Mutter.....	Nut.....			
32	2	2		9897-0820-16	Skruv.....	Screw.....			
33	2	2		9757-0821-02	Hattmutter	Cap nut			
34	2	2		9699-0090-02	Planbricka.....	Flat washer.....			



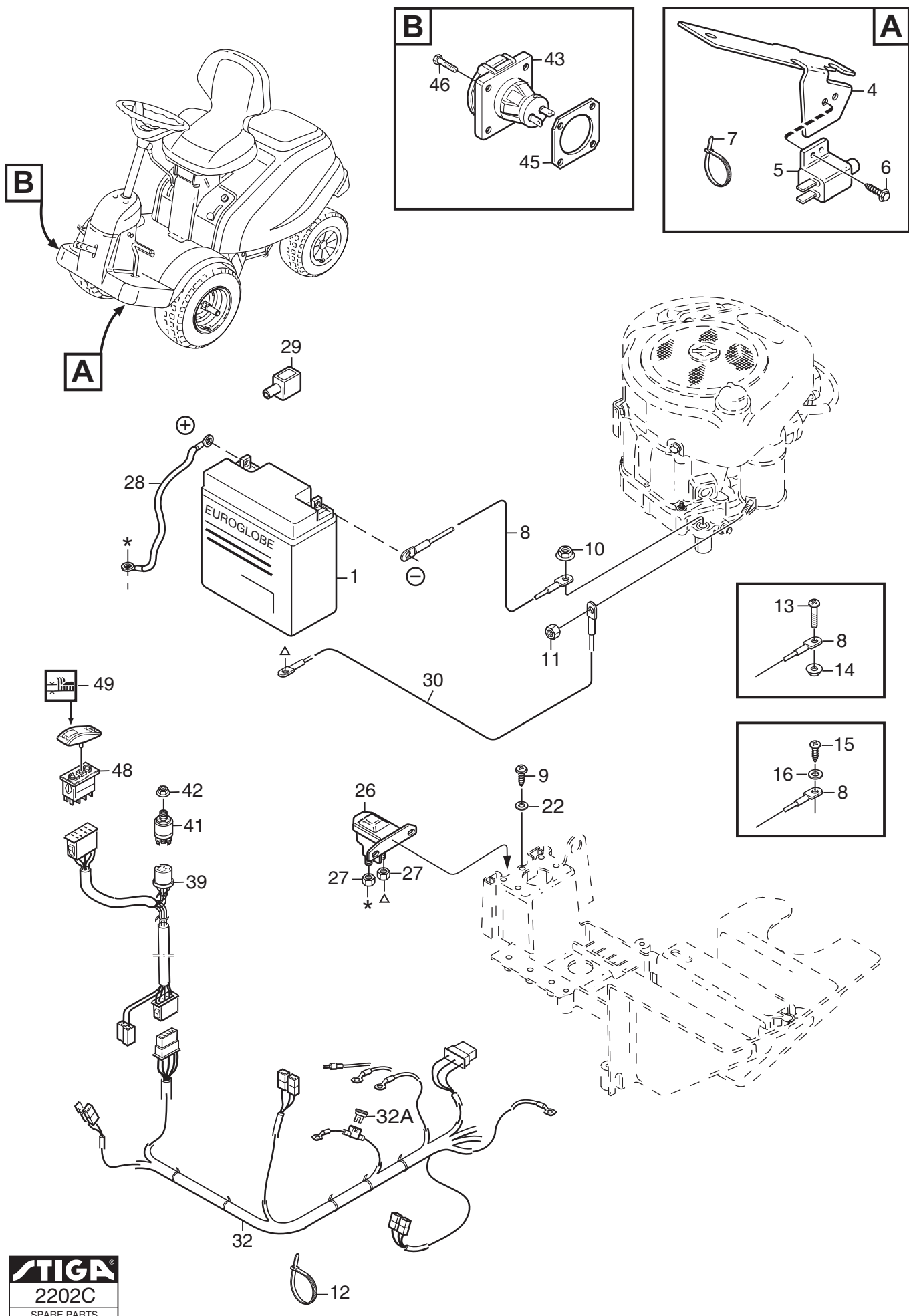
Utgåva Issue		Bildnr Picture No		VILLA HST STYRNING		VILLA HST STEERING		Sida Page	
2010- 11		2199B						274	
Pos. Fig.	Antal/Quantity			Art nr Part No	Benämning	Description	Sats Kit	Anmärkning Notes	
	2727 2729	2718 2728							
X	1	3	3	1134-0041-01	Linhjulshylsa	Bushing.....		Sats 2 st/kit of 2 L = 40 mm	
	2	3	3	1134-0046-00	Linhållare.....	Wire clamp.....			
	3	1	1	1134-9025-01	Linhjul- sats	Steering pulley- kit			
	4	3	3	9997-1040-16	Skruv.....	Screw.....			
	5	2	2	9739-1031-22	Mutter.....	Nut.....			
	6	1	1	1134-9154-01	Styrwire.....	Steering cable			
	7	1	1	1134-1310-01	Tryckfjäder.....	Compression spring.....			
	8	1	1	9699-0056-02	Planbricka.....	Flat washer.....			
	9	1	1	9747-0831-02	Mutter.....	Lock nut.....			
	11	1	1	1134-5349-03	Styrkonsol- grå	Steering console- grey			
	12	4	4	9897-0820-16	Skruv.....	Screw.....			
	13	4	4	9739-0831-22	Mutter.....	Nut.....			
	15	1	1	1134-1305-05	Rattrör- nedre	Steering column- lower			
	16	2	2	1134-1901-01	Lager	Bearing.....			
	17	2	2	9893-0616-16	Skruv.....	Screw.....			
	18	2	2	9699-0060-02	Planbricka.....	Flat washer.....			
	19	1	1	1134-5495-01	Rattstång	Steering rod			
	20	1	1	1134-1933-01	Styrrulle.....	Steering pulley			
	21	1	1	9595-0262-00	Spännstift	Locating pin			
	22	1	1	1134-5496-01	Ratt.....	Steering wheel			
	32	1	1	1134-3047-01	Distans	Spacer.....			
	33	2	2	9699-0104-02	Bricka	Washer.....			
	36	2	2	1134-3047-01	Distans	Spacer.....			
	37	1	1	1134-0041-05	Hylsa	Bushing.....			
	38	1	1	1134-0046-00	Linhållare.....	Wire clamp.....			
	39	1	1	1134-9025-01	Linhjul- sats	Steering pulley- kit			
	40	1	1	9997-1060-12	Skruv.....	Screw.....			
	50		1	1134-6330-02	Ratt.....	Steering wheel			
	51		1	1134-3769-01	• Styrknopp kpl	• Steering wheel button			
	52		1	1134-3752-01	•• Knoppfäste.....	•• Knob holder.....			
	53		1	9997-0870-16	•• Skruv	•• Screw			
	54		1	1134-1565-06	•• Distans.....	•• Spacer			
	55		3	9699-0090-02	•• Planbricka	•• Flat washer			
	56		1	9747-0831-02	•• Mutter	•• Lock nut			
	57		1	9403-0043-70	•• Plugg	•• Plug.....			
	58		1	9403-0113-00	•• Mutterhatt	•• Nut cap.....			
	60		1	1134-5216-02	Rattrör- inre	Steering tube- inner.....			
	61		1	1134-5177-01	• Slid	• Slide.....			
	62		1	9710-0631-12	• Fyrkantmutter	• Square nut			
	63		1	1134-4481-02	Vingmutter.....	Wing nut			
	64		1	9997-0630-12	Skruv	Screw.....			
								Sats 2 st/kit of 2 L = 60 mm	



Utgåva Issue 2010- 11		Bildnr Picture No 2201		VILLA HST HANDREGLAGE		VILLA HST HAND CONTROLS		Sida Page 276	
Pos. Fig.	Antal/Quantity			Art nr Part No	Benämning	Description	Sats Kit	Anmärkning Notes	
	2718 2727 2729	2728							
1	1	1		1134-5286-04	Reglagepanel- vä	Control panel- LH			
2	2	2		1134-5531-01	Dämpare	Absorber			
3	3	3		9893-0616-16	Skruv	Screw			
4	1	1		1134-5464-01	Fäste	Bracket			
6	1	1		1134-5465-01	Gasreglage.....	Throttle lever			
7	1	1		1134-4078-01	Knopp	Knob			
8	1	1		1134-0240-00	Ansatssskruv	Shoulder screw			
9	1	1		9694-0001-00	Fjäderbricka	Washer			
10	2	2		1134-4242-01	Distansbricka	Spacer washer			
11	1	1		9747-0831-02	Mutter	Lock nut			
12	1			1134-4197-03	Gaswire	Throttle cable			
X 12		1		1134-4197-05	Gaswire	Throttle cable			
13	1	1		9500-9991-00	Wireklämma	Cable clamp			
14	1	1		9943-0516-16	Skruv	Screw			
16	1	1		1134-6370-01	Wirestyrning	Wire guide			
19	1	1		1134-5508-01	Reglagehylsa	Control sleeve			
20	1	1		9997-0812-02	Skruv	Screw			
21	1	1		1134-5274-02	Distans	Spacer			
22	1	1		1134-3047-01	Distans	Spacer			
30	1	1		1134-5271-01	Reglagefäste	Control bracket			
31	1	1		1134-5276-01	Reglagespak	Control lever			
32	1	1		9997-0890-12	Skruv	Screw			
33	1	1		9747-0831-02	Mutter	Lock nut			
34	1	1		1134-5356-01	Stag	Strut			
X 35	1	1		9747-0831-02	Mutter	Lock nut			
36	1	1		9400-0360-01	Mikrobrytare	Micro switch			
37	2	2		9840-7716-16	Skruv	Screw			
40	1	1		1134-5285-02	Reglagepanel- hö	Control panel- RH			
41	2	2		1134-5531-01	Dämpare	Absorber			
42	4	4		9893-0616-16	Skruv	Screw			
43	1	1		1134-2551-01	Reglageknopp	Knob			
44	1	1		1134-3573-06	Kraftuttagswire	PTO cable			
45	1	1		1134-1242-02	Fjäder	Spring			

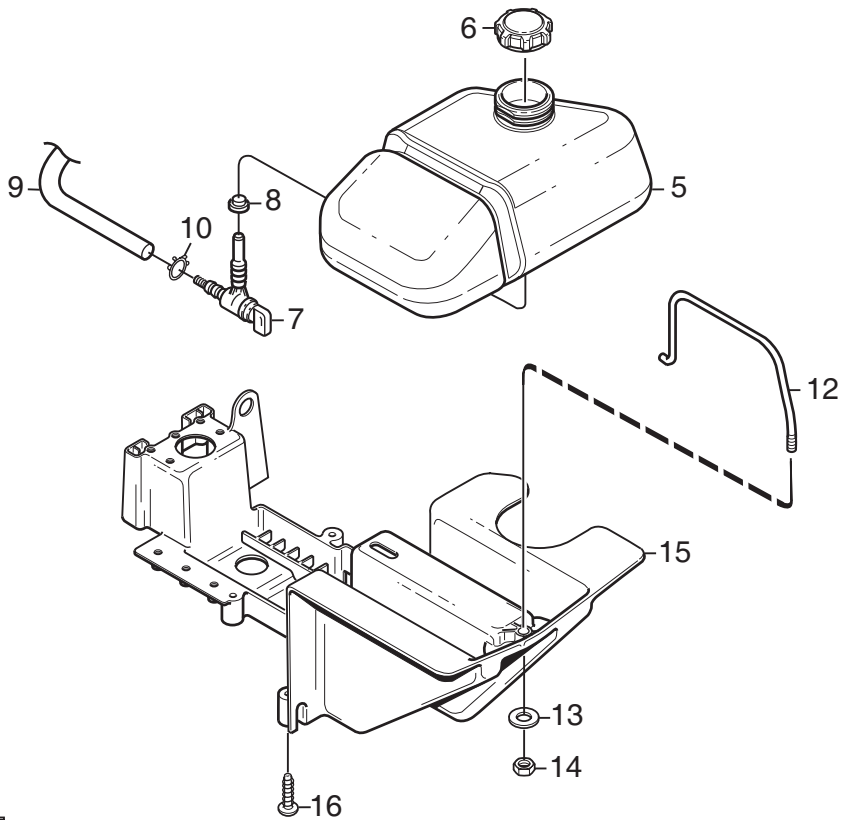
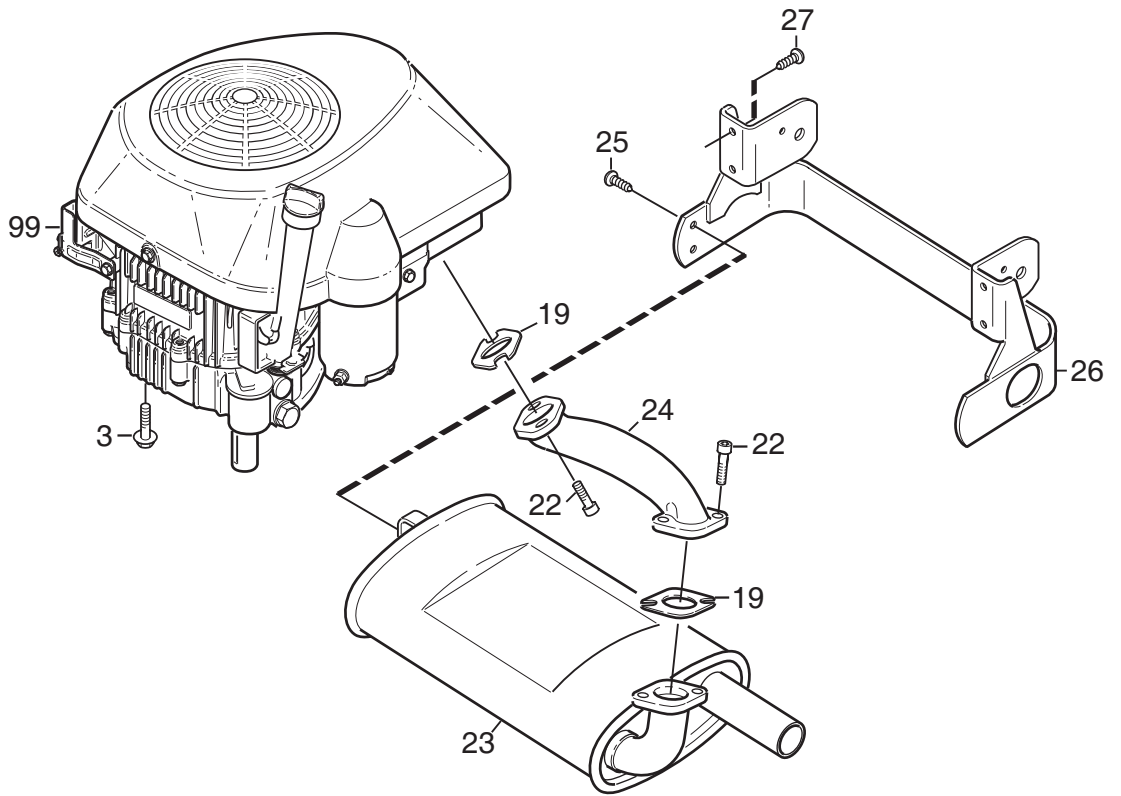


Utgåva Issue		Bildnr Picture No		VILLA HST FOTREGLAGE		VILLA HST FOOT CONTROLS		Sida Page	
2010-11		1645B						278	
Pos. Fig.	Antal/Quantity				Art nr Part No	Benämning	Description	Sats Kit	Anmärkning Notes
	2718	2727	2728	2729					
1	1				1134-4802-01	Pedal	Pedal		
2	2				1134-4624-01	Lager	Bearing.....		
3	4				9897-0640-12	Skruv	Screw.....		
4	4				9739-0631-22	Mutter.....	Nut		
5	1				1134-4949-01	Kopplingsstång.....	Clutch rod		
6	2				1134-2138-01	Skruvögla	Eye bolt		
7	2				9739-1031-22	Mutter.....	Nut		
9	1				9739-0831-22	Mutter.....	Nut		
10	1				9747-0831-02	Mutter.....	Lock nut.....		
11	1				9595-0208-00	Spännstift	Locating pin		
12	2				9699-0035-02	Planbricka.....	Flat washer.....		
13	1				1134-4617-01	Fjäder.....	Spring		
15	1				9739-0831-22	Mutter.....	Nut		
16	1				9747-0831-02	Mutter.....	Lock nut.....		
18	1				9598-0002-01	Låsnål.....	Pin lock		
20	1				1134-5353-01	Bromstång	Brake rod		
21	1				1134-2786-01	Plastknopp.....	Plastic knob		
22	1				1131-1497-01	Fjäder.....	Spring		
23	1				1134-4002-01	Fäste.....	Brake rod attachment.....		
24	3				9838-9516-12	Skruv	Screw		
25	1				1134-6353-01	Drivpedal	Drive pedal.....		
26	2				1134-6313-01	Lager	Bearing.....		
27	2				1134-2700-01	Fäste.....	Bracket.....		
28	2				9959-0820-16	Skruv	Screw.....		
29	2				9739-0831-22	Mutter.....	Nut		
30	1				9997-0860-16	Skruv	Screw.....		
31	2				9739-0831-22	Mutter.....	Nut		
34	1				1134-4440-01	Axel	Shaft		
35	1				1134-4793-01	Stopplåt.....	Stop plate.....		
36	1				1134-4441-01	Stag	Link		
37	2				1134-0240-00	Ansatsskruv.....	Shoulder screw.....		
38	2				9694-0001-00	Fjäderbricka	Washer.....		
39	2				9747-0831-02	Mutter.....	Lock nut.....		
40	1				1134-5288-01	Reglagestång.....	Control rod.....		
41	2				9675-0012-02	Starlock	Locking washer.....		
51	1				4231-0013-00	Fjäder.....	Spring		
52	1				1134-4779-01	Plastbusning.....	Plastic bushing		
53	1				1134-4972-01	Bromslänk	Brake link		
54	1				9747-0831-02	Mutter.....	Lock nut.....		
55	1				9997-0820-16	Skruv	Screw.....		

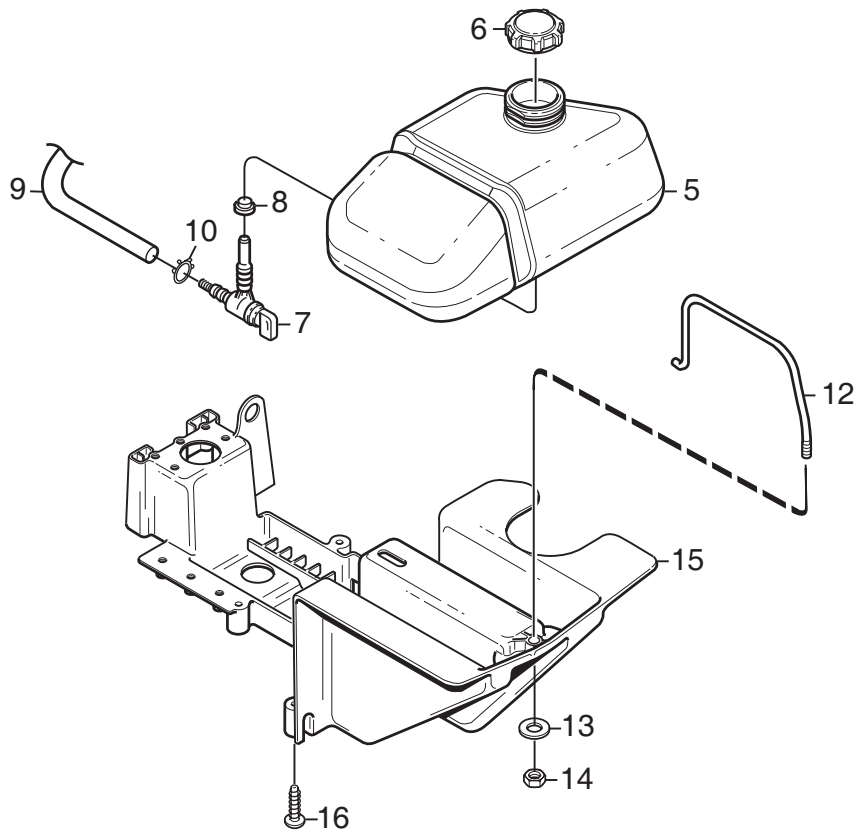
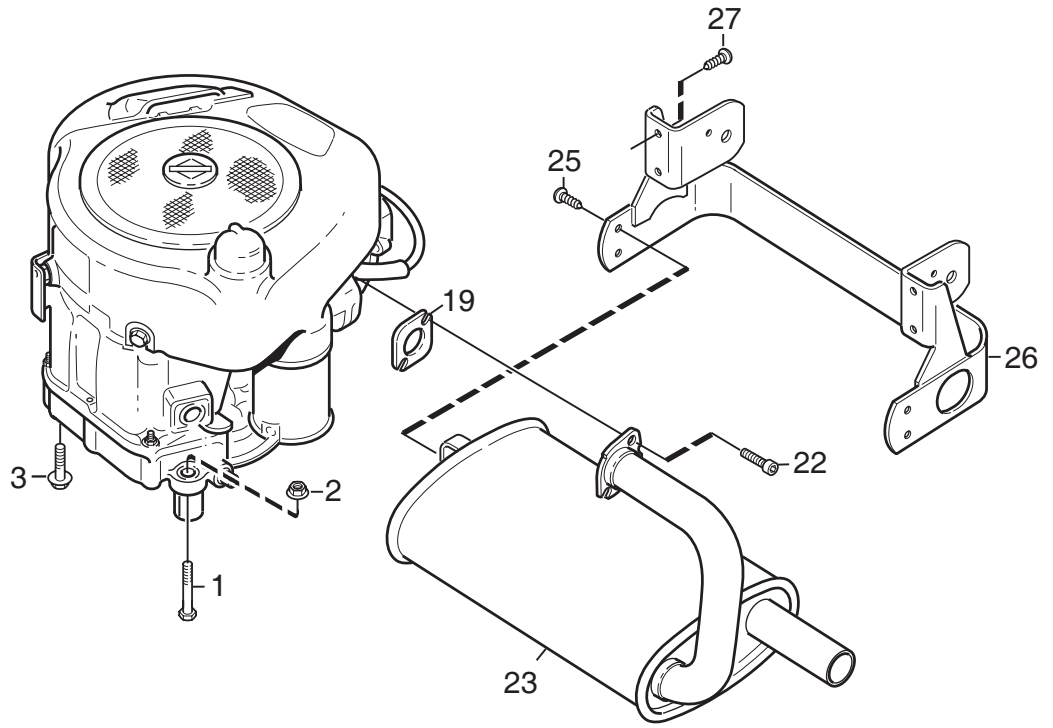


Utgåva Issue 2010- 11		Bildnr Picture No 2202C		VILLA HST ELUTRUSTNING		VILLA HST EL. EQUIPMENT		Sida Page 280	
Pos. Fig.	Antal/Quantity				Art nr Part No	Benämning	Description	Sats Kit	Anmärkning Notes
	2727	2729	2718	2728					
1			1	1	1134-4804-01	Batteri	Battery		18 Ah
1	1	1			1134-6677-01	Batteri	Battery		16 Ah
4	1	1	1	1	1134-4610-01	Fäste	Switch bracket		
5	1	1	1	1	1134-3399-02	Brytare	Switch		
6	2	2	2	2	9852-8013-16	Skruv	Screw		
7	3	3	3	3	9579-0003-00	Buntband	Cable holder		
8	1	1	1	1	1134-2042-02	Kabel- svart	Cable- black		L = 350 mm
9	1	1	1	1	9838-9516-12	Skruv	Screw		
10		1	1		9747-0831-02	Mutter	Lock nut		
11	1				9739-0631-22	Mutter	Nut		M6
11		1	1	1	9795-3531-02	Mutter	Nut		1/4 UNC
12	3	3	3	3	9579-0003-00	Buntband	Cable holder		
13				1	9948-0630-16	Skruv	Screw		
14				1	9739-0631-22	Mutter	Nut		
15	1				9893-0616-16	Skruv	Screw		
16	1				9699-0060-02	Planbricka	Flat washer		
22	1	1	1	1	9699-0060-02	Planbricka	Flat washer		
26	1	1	1	1	1134-2962-01	Solenoid kpl	Solenoid assy		
27	2	2	2	2	9794-5131-02	• Mutter	• Nut		
28	1	1	1	1	1134-0234-02	Batterikabel (+)	Battery cable (+)		L = 395 mm
29	1	1	1	1	1134-2310-01	Batteriskydd	Guard cap		
30	1	1	1	1	1134-4702-02	Kabel- röd	Cable- red		L = 480 mm
32	1	1	1		1134-6308-01	Kablage	Harness		
32				1	1137-0104-01	Kablage	Harness		
32A	1	1	1	1	1134-3496-06	• Säkring	• Fuse		20A
39	1	1	1		1134-6348-01	Kablage	Harness		
39				1	1134-6442-01	Kablage	Harness		
41	1	1	1	1	1134-4093-01	Tändningslås	Ignition switch		
42	1	1	1	1	1134-4749-01	Mutter	Nut		
43				1	1134-7535-01	Honkontakt	Female terminal		
45				1	1134-4052-01	Stödbricka	Support washer		
46				2	9840-7716-16	Skruv	Screw		
48				1	9400-0282-01	Brytare m.diod	Switch w.diode		
49				1	9400-0280-03	Vippa- höjinställning	Cover- height adjust		

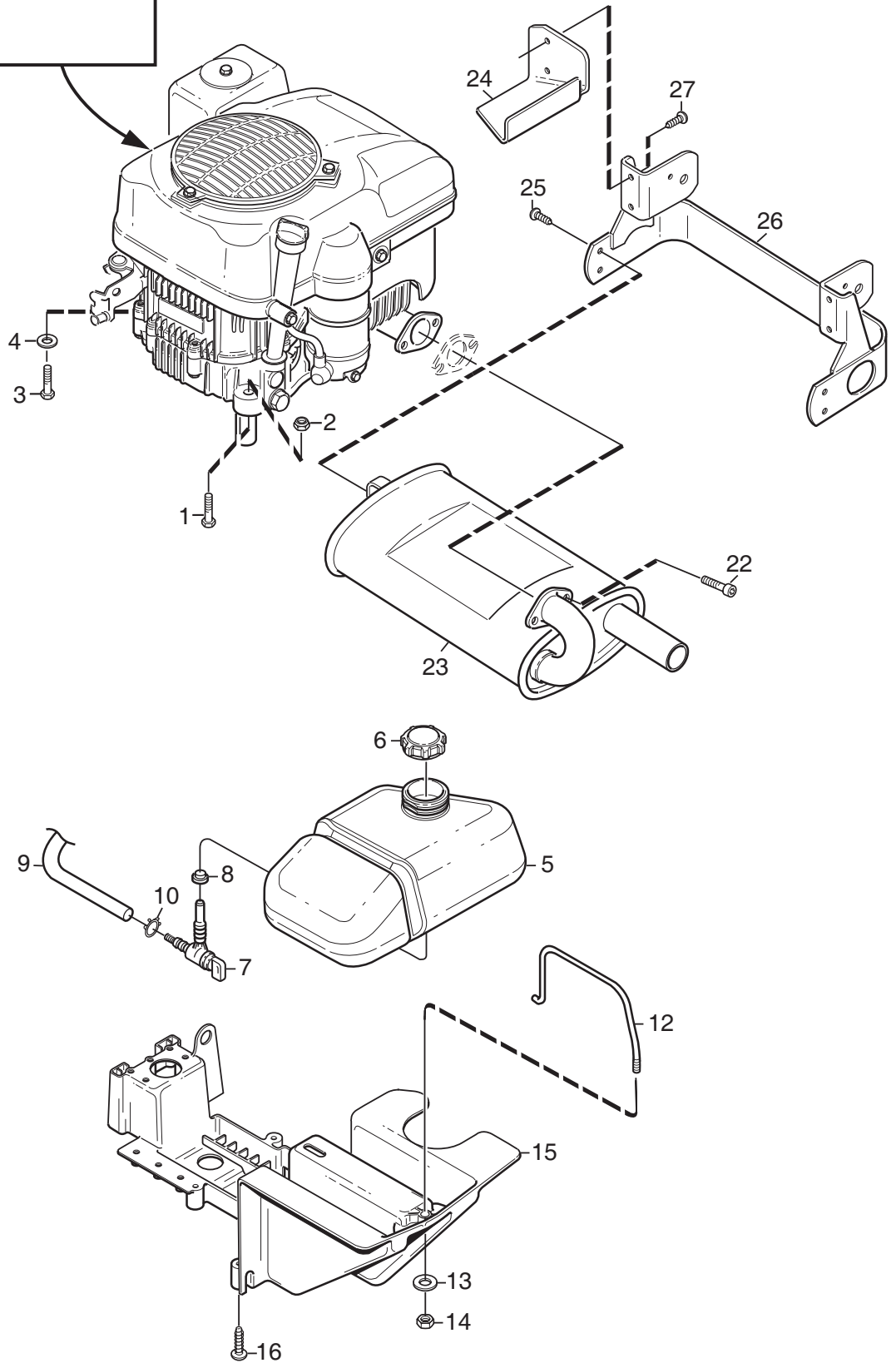
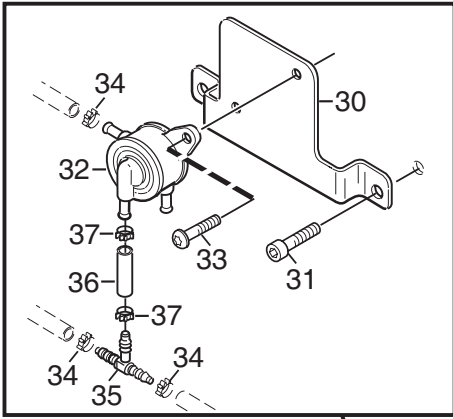
X



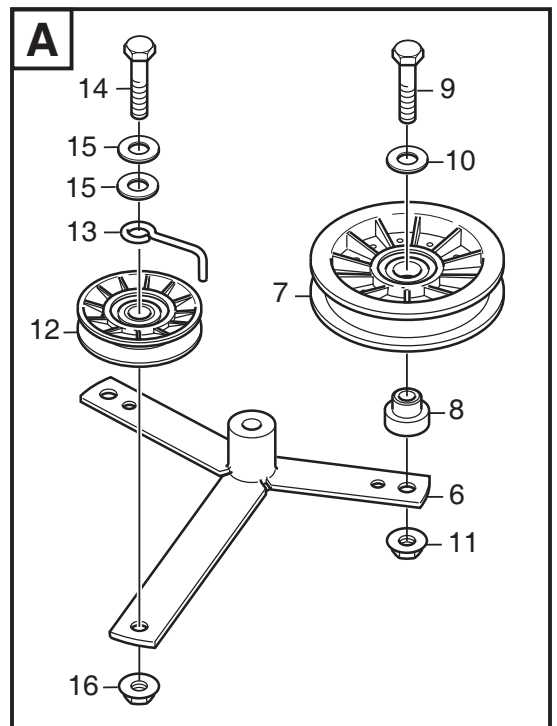
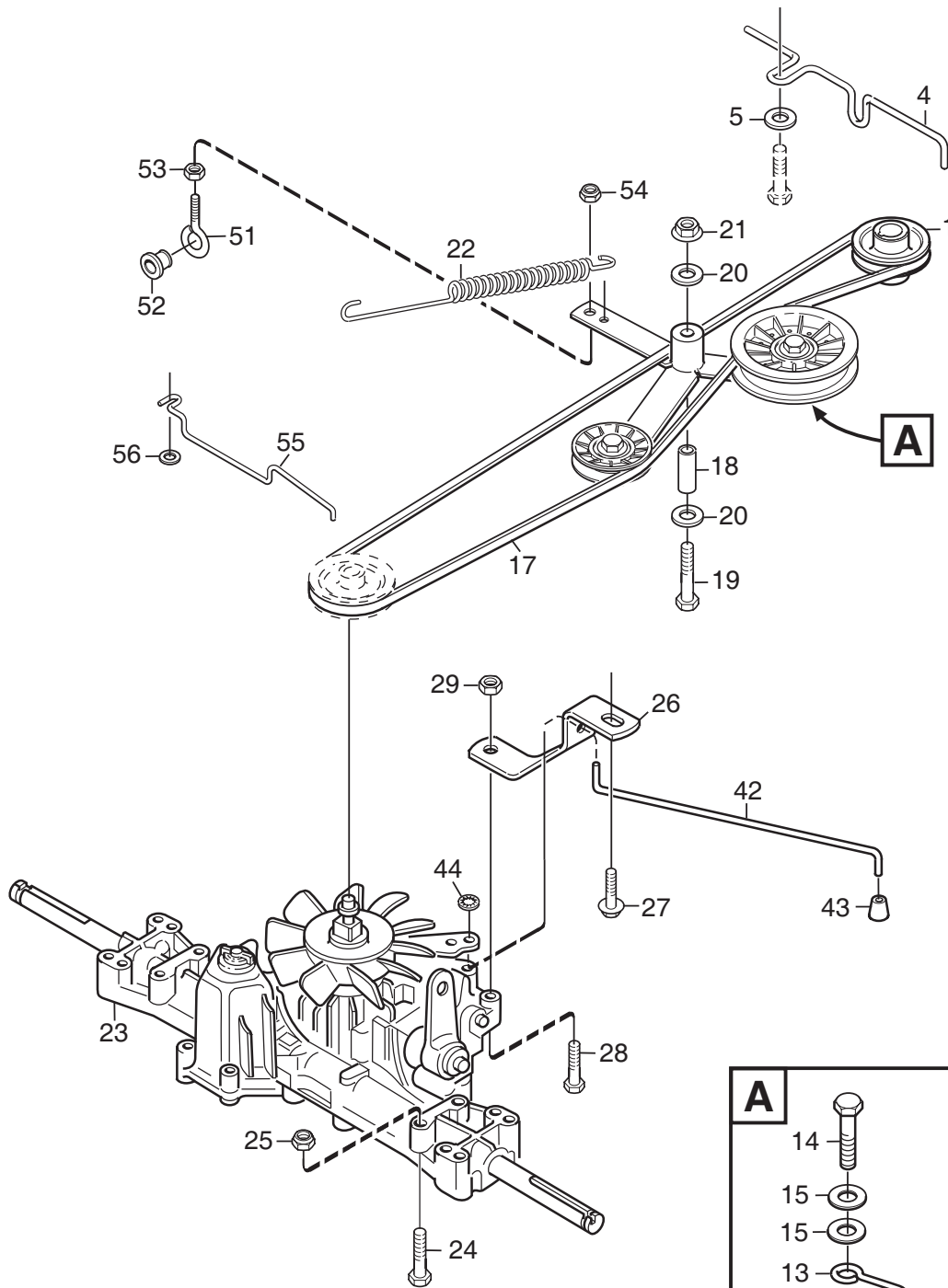
Utgåva Issue		Bildnr Picture No		VILLA HST MOTOR (GGP)		VILLA HST ENGINE (GGP)		Sida Page	
2010- 11		2519						282	
Pos. Fig.	Antal/Quantity				Art nr Part No	Benämning	Description	Sats Kit	Anmärkning Notes
	2727								
X	3	4			9955-3725-16	Skruv.....	Screw.....		3/8" x 25
	5	1			1134-6626-01	Bränsletank.....	Fuel tank		
	6	1			1134-5532-01	Tanklock	Fuel tank cap.....		
	7	1			1134-3224-01	Bensinkran.....	Fuel shut-off valve.....		
	8	1			1134-3225-01	Gummibussning	Grommet.....		
	9	0,26			9505-0001-01	Bensinslang (meter)	Fuel line (metre).....		Per meter
	10	2			9578-0023-02	Slangklämma.....	Hose clamp		
	12	1			1134-4808-01	Tankbygel	Tank clamp.....		
	13	1			9699-0060-02	Planbricka.....	Flat washer.....		
	14	1			9747-0631-02	Låsmutter	Lock nut.....		
	15	1			1134-4807-02	Tank/batterihylla	Tank/battery shelf.....		
	16	4			9829-8830-12	Skruv.....	Screw.....		
	19	1			1134-0433-00	Ljuddämparpackning.....	Muffler gasket.....		
	22	4			1134-4930-01	Skruv.....	Screw.....		
	23	1			1134-6623-01	Ljuddämpare	Muffler		
	24	1			1134-6634-01	Grenrör.....	Exhaust pipe		
	25	2			9893-0616-16	Skruv.....	Screw.....		
	26	1			1134-6699-01	Värmskydd.....	Heat guard		
	27	4			9893-0616-16	Skruv.....	Screw.....		
	99	1			118550439/0	Motor kpl.....	Engine assy.....		GGP WM 12,5



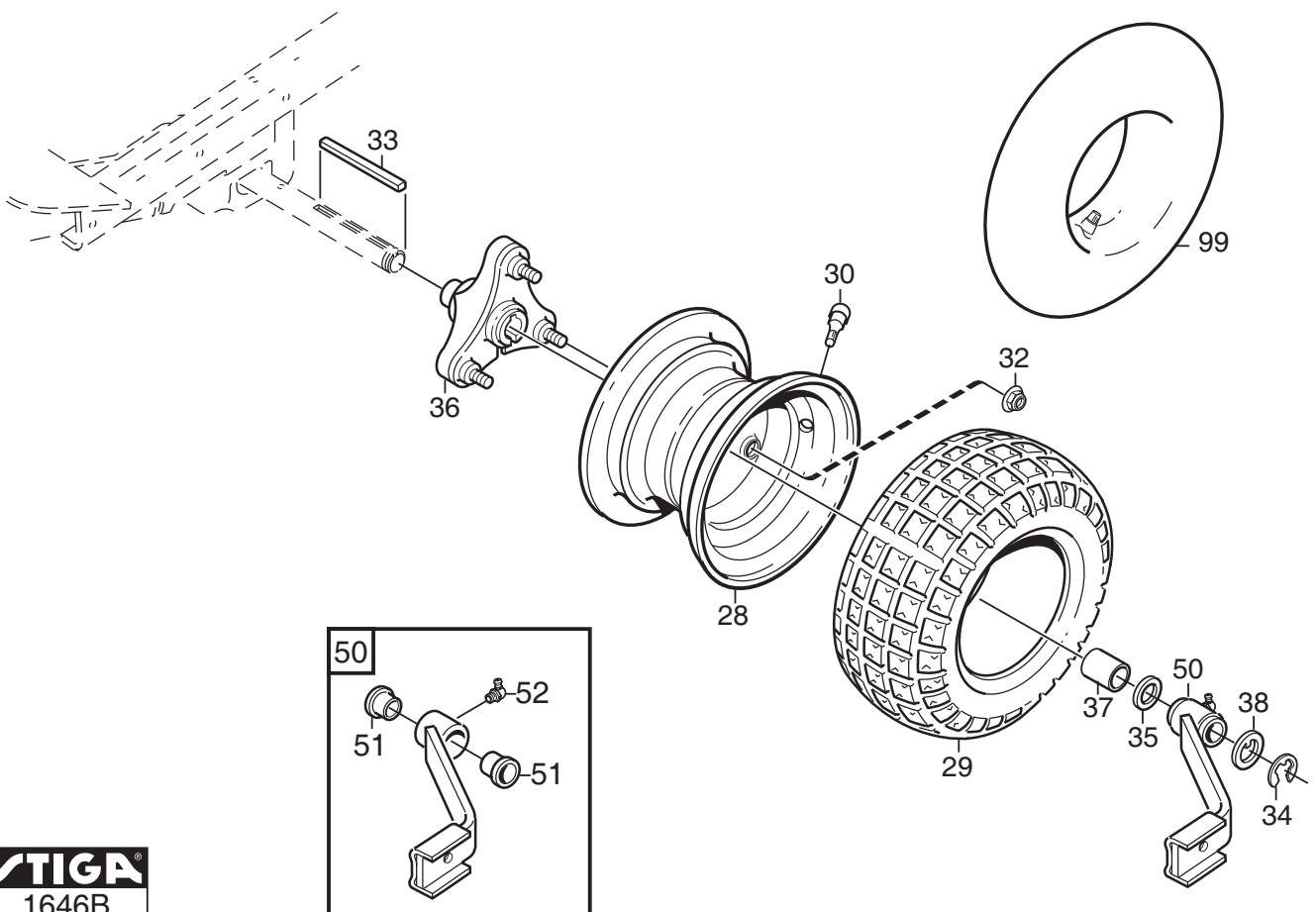
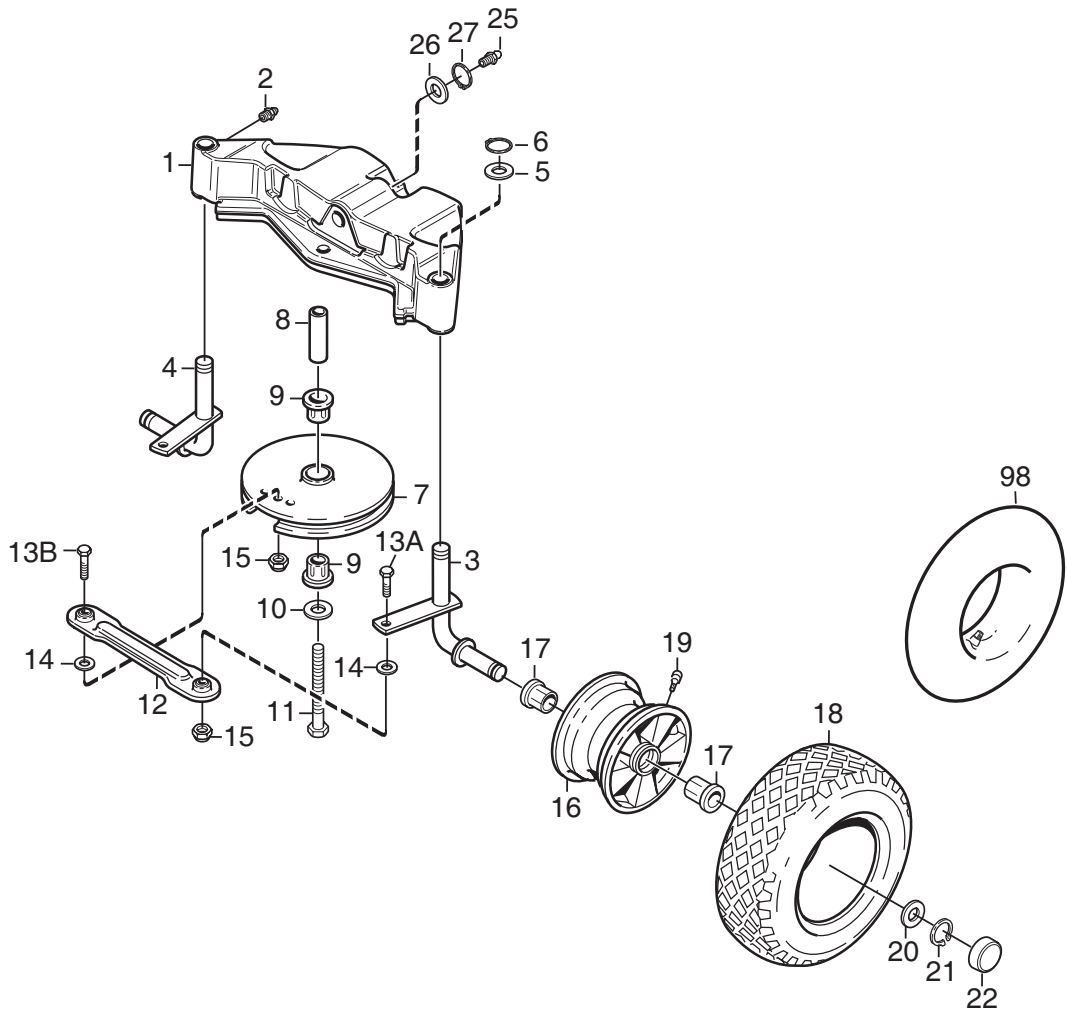
Utgåva Issue		Bildnr Picture No		VILLA HST MOTOR (B&S)		VILLA HST ENGINE (B&S)		Sida Page	
2010- 11		1651B						284	
Pos. Fig.	Antal/Quantity				Art nr Part No	Benämning	Description	Sats Kit	Anmärkning Notes
	2718								
X	1	1			9997-0840-16	Skruv.....	Screw.....		M8 x 40
	2	1			9747-0831-02	Mutter.....	Lock nut.....		
	3	3			9955-3725-16	Skruv.....	Screw.....		3/8" x 25
	5	1			1134-6626-01	Bränsletank.....	Fuel tank.....		
	6	1			1134-5532-01	Tanklock.....	Fuel tank cap.....		
	7	1			1134-3224-01	Bensinkran.....	Fuel shut-off valve.....		
	8	1			1134-3225-01	Gummibussning.....	Grommet.....		
	9	0,46			9505-0001-01	Bensinslang (meter).....	Fuel line (metre).....		Per meter
	10	2			9578-0023-02	Slangklämma.....	Hose clamp.....		
	12	1			1134-4808-01	Tankbygel.....	Tank clamp.....		
	13	1			9699-0060-02	Planbricka.....	Flat washer.....		
	14	1			9747-0631-02	Låsmutter.....	Lock nut.....		
	15	1			1134-4807-02	Tank/batterihylla.....	Tank/battery shelf.....		
	16	4			9829-8830-12	Skruv.....	Screw.....		
	19	1			1134-0433-00	Ljuddämparpackning.....	Muffler gasket.....		
	22	2			1134-4930-01	Skruv.....	Screw.....		
	23	1			1134-7781-01	Ljuddämpare.....	Muffler.....		
	25	2			9893-0616-16	Skruv.....	Screw.....		
	26	1			1134-6699-01	Värmskydd.....	Heat guard.....		
	27	4			9893-0616-16	Skruv.....	Screw.....		



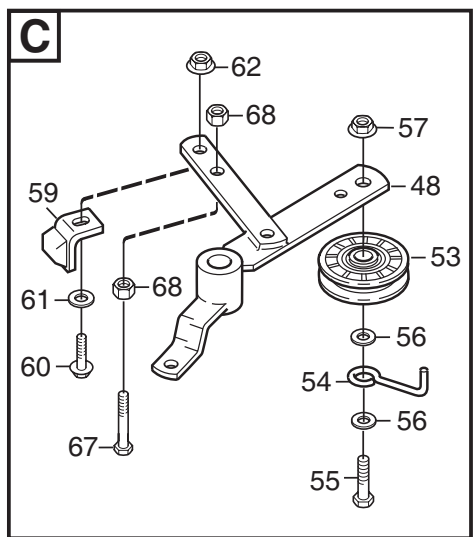
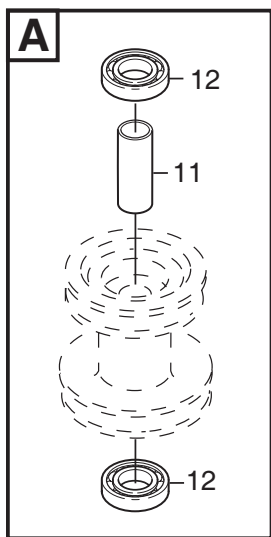
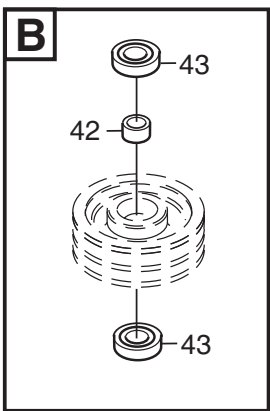
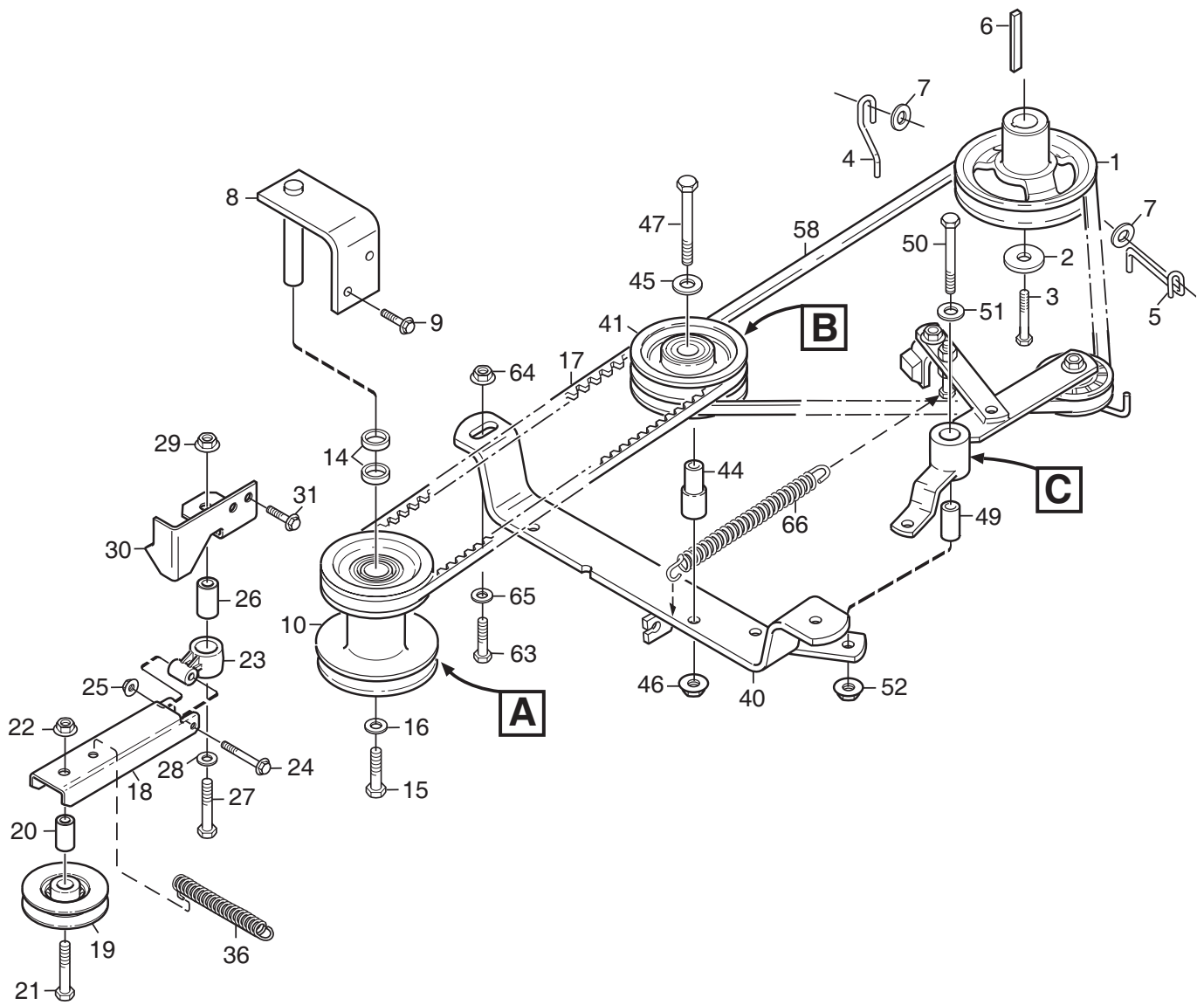
Utgåva Issue 2010- 11		Bildnr Picture No 2751		VILLA HST MOTOR (Honda)		VILLA HST ENGINE (Honda)		Sida Page 286	
Pos. Fig.	Antal/Quantity				Art nr Part No	Benämning	Description	Sats Kit	Anmärkning Notes
	2728								
	1	2			9997-0840-16	Skruv.....	Screw.....		M8 x 40
	2	2			9747-0831-02	Mutter.....	Lock nut.....		
	3	2			9987-5132-12	Skruv.....	Screw.....		5/16" x 32
	4	3			9699-0056-02	Planbricka.....	Flat washer.....		
	5	1			1134-6626-01	Bränsletank.....	Fuel tank.....		
	6	1			1134-5532-01	Tanklock.....	Fuel tank cap.....		
	7	1			1134-3224-01	Bensinkran.....	Fuel shut-off valve.....		
	8	1			1134-3225-01	Gummibussning.....	Grommet.....		
X	9	0,35			9505-0001-01	Bensinslang (meter).....	Fuel line (metre).....		Per meter
	10	2			9578-0023-02	Slangklämma.....	Hose clamp.....		
	12	1			1134-4808-01	Tankbygel.....	Tank clamp.....		
	13	1			9699-0060-02	Planbricka.....	Flat washer.....		
	14	1			9747-0631-02	Låsmutter.....	Lock nut.....		
	15	1			1134-4807-02	Tank/batterihylla.....	Tank/battery shelf.....		
	16	4			9829-8830-12	Skruv.....	Screw.....		
X	22	2			9935-0820-16	Skruv.....	Screw.....		
X	23	1			1137-0101-01	Ljuddämpare.....	Muffler.....		
X	24	1			1137-0094-01	Värmesköld.....	Heat shield.....		
	25	2			9893-0616-16	Skruv.....	Screw.....		
	26	1			1134-6699-01	Värmeskydd.....	Heat guard.....		
	27	4			9893-0616-16	Skruv.....	Screw.....		
X	30	1			1137-0095-01	Fäste-bränslepump.....	Bracket-fuel pump.....		
	31	2			9939-0820-16	Skruv.....	Screw.....		
X	32	1			1137-0114-01	Bränslepump.....	Fuel pump.....		
	33	2			9893-0616-16	Skruv.....	Screw.....		
	34	4			9578-0023-07	Slangklämma.....	Hose clamp.....		Ø 10.5 mm
X	35	1			1137-0103-01	T-rör.....	Joint pipe.....		
X	36	0,04			9505-0001-01	Bensinslang (meter).....	Fuel line (metre).....		Per meter
	37	2			9578-0023-02	Slangklämma.....	Hose clamp.....		Ø 12 mm



Utgåva Issue		Bildnr Picture No		VILLA HST TRANSMISSION		VILLA HST TRANSMISSION		Sida Page	
2010- 11		1157G						288	
Pos. Fig.	Antal/Quantity				Art nr Part No	Benämning	Description	Sats Kit	Anmärkning Notes
	2718	2727	2728	2729					
1	1				1134-4611-01	Motorremskiva	Engine belt pulley		
4	1				1134-6637-01	Remstyrning	Belt guide		
5	1				9699-0056-02	Planbricka	Flat washer		
6	1				1134-4519-01	Spännarm	Tension arm		
7	1				1134-9091-01	Spännrulle	Tension roller		
8	1				1134-4614-01	Ansats	Shoulder spacer		
9	1				9997-1040-16	Skruv	Screw		
10	1				9699-0035-02	Planbricka	Flat washer		
11	1				9739-1031-22	Mutter	Nut		
12	1				1134-9027-02	Spännrulle- grå	Tension roller- grey		
13	1				1134-1795-01	Rembygel	Belt stirrup		
14	1				9997-1040-16	Skruv	Screw		
15	2				9699-0035-02	Planbricka	Flat washer		
16	1				9739-1031-22	Mutter	Nut		
17	1				1134-9064-01	Drivrem	Drive belt		= 9585- 0099- 01
18	1				1134-1565-08	Distans	Spacer		
19	1				9997-0870-16	Skruv	Screw		
20	2				9699-0056-02	Planbricka	Flat washer		
21	1				9739-0831-22	Mutter	Nut		
22	1				1134-5214-01	Fjäder	Spring		
23	1				1134-7766-01	Transaxel kpl.	Transaxle assy		Kanzaki K46CJ
24	4				9960-0860-12	Skruv	Screw		
25	4				9747-0831-02	Mutter	Lock nut		
26	1				1134-6290-01	Momentstag	Strut		
27	1				9945-0816-16	Skruv	Screw		
28	1				9997-0840-16	Skruv	Screw		
29	1				9747-0831-02	Mutter	Lock nut		
42	1				1134-5156-01	Dragstång	Pull rod		
43	1				1134-4014-01	Plastknopp	Plastic button		
44	1				9675-0009-02	Starlock	Starlock		
51	1				1134-2138-01	Skruvögla	Eye bolt		
52	1				1134-4779-01	Plastbussning	Plastic bushing		
53	1				9739-0831-22	Mutter	Nut		
54	1				9747-0831-02	Mutter	Lock nut		
55	1				1134-5319-01	Remstyrning	Belt guide		
56	1				9699-0056-02	Planbricka	Flat washer		



Utgåva Issue		Bildnr Picture No		VILLA HST HJUL		VILLA HST WHEELS		Sida Page	
2010- 11		1646B						290	
Pos. Fig.	Antal/Quantity				Art nr Part No	Benämning	Description	Sats Kit	Anmärkning Notes
	2718	2727	2728	2729					
X	1	1			1134-6703-01	Bakaxel	Rear axle		
	2	2			9501-0500-00	Smörjnippel	Grease joint		
	3	1			1134-5009-02	Spindel- vä	Spindle- LH		
	4	1			1134-5009-01	Spindel- hö	Spindle- RH		
	5	2			9699-0088-02	Planbricka	Flat washer		
	6	2			9650-0020-04	Spårring	Circlip		
	7	1			1137-0090-01	Styrskiva	Steering pulley		
	8	1			1134-5575-01	Distans	Spacer		
	9	1			1134-9024-01	Lager	Bearing	Sats 4 st/kit of 4	
	10	1			9699-0104-02	Bricka	Washer		
	11	1			9997-1680-12	Skruv	Screw		
	12	2			1134-3247-05	Styrstag	Tie rod		
	13A	2			9997-0825-16	Skruv	Screw	L = 25 mm	
	13B	1			9997-0835-12	Skruv	Screw	L = 35 mm	
	14	2			9699-0090-02	Planbricka	Flat washer		
	15	3			9747-0831-02	Mutter	Lock nut		
	16	2			1134-4706-01	Fälg	Rim		
	17	1			1134-9026-01	Lagerbussning	Bearing bush kit	Sats 4 st/kit of 4	
	18	2			9545-0117-00	Däck	Tyre	13 x 5.00 - 6	
	19	2			9545-0500-00	Ventil	Valve		
	20	2			1134-0341-01	Bricka	Washer		
	21	2			9650-0020-04	Spårring	Circlip		
	22	2			1134-4344-01	Navkapsel	Hub cap		
	25	1			9501-0500-00	Smörjnippel	Grease joint		
	26	1			9699-0088-02	Planbricka	Flat washer		
	27	1			9650-0020-04	Spårring	Circlip		
	28	2			1134-5255-01	Fälg	Rim		
	29	2			9545-0126-01	Däck	Tyre	16 x 6.00 - 8	
	30	2			9545-0500-00	Ventil	Valve		
	32	6			9731-1031-22	Mutter	Nut		
	33	2			1134-2471-03	Kil	Key		
	34	2			9653-0001-04	Spårryttare	Lock ring		
	35	2			1134-0341-01	Bricka	Washer		
36	2			1134-4844-02	Hjulnav	Wheel hub			
37	2			1134-4845-02	Navhylsa	Hub sleeve			
38	2			1134-4981-01	Bricka	Washer			
50	2			1134-6274-01	Redskapsfäste kpl.	Attachment assy			
51	1			1134-9026-01	• Lagerbussning	• Bearing bush kit	Sats 4 st/kit of 4		
52	1			9501-0502-00	• Smörjnippel	• Grease joint			
98				9545-0204-00	Innerslang	Inner tube	Reservdel/spare part		
99				9545-0203-00	Innerslang	Inner tube	Reservdel/spare part		



Utgåva Issue 2010- 11		Bildnr Picture No 1512E		VILLA HST KRAFTUTTAG		VILLA HST POWER TAKE- OFF		Sida Page 292		
Pos. Fig.	Antal/Quantity				Art nr Part No	Benämning	Description	Sats Kit	Anmärkning Notes	
	2718	2727	2728	2729						
1	1				1134- 5046- 01	Motorremskiva	Engine belt pulley		L = 2 1/2"	
2	1				1134- 5017- 01	Bricka	Washer			
3	1				9987- 5332- 16	Skruv	Screw			
4	1				1134- 5058- 01	Remstyrning	Belt guide			
5	1				1134- 5057- 01	Remstyrning	Belt guide			
6	1				9600- 0251- 01	Kil	Key			
7	2				9699- 0056- 02	Planbricka	Flat washer			
8	1				1134- 4650- 01	Monteringsbygel	Pulley bracket			
9	2				9945- 0816- 16	Skruv	Screw			
10	1				1134- 4643- 01	Mellanremskiva kpl.	Intermediate pulley			
11	1				1134- 0051- 12	• Distans	• Spacer			
12	2				9549- 0019- 00	• Kullager	• Ball bearing			
14	2				1134- 0052- 00	Lagerdistans	Bearing spacer			
15	1				9997- 1040- 16	Skruv	Screw			
16	1				9699- 0035- 02	Planbricka	Flat washer			
17	1				1134- 9079- 01	Drivrem	Drive belt	= 9585- 0139- 01		
18	1				1134- 5231- 01	Spännarm	Tension arm			
19	1				1134- 6329- 01	Spännrulle	Tension roller			
20	1				1134- 4619- 01	Distans	Spacer			
21	1				9997- 1060- 12	Skruv	Screw			
22	1				9731- 1031- 22	Mutter	Nut			
23	1				1134- 6314- 01	Spännarmsfäste	Attachment			
24	1				9997- 0640- 12	Skruv	Screw			
25	1				9747- 0631- 02	Låsmutter	Lock nut			
26	1				1134- 4619- 01	Distans	Spacer			
27	1				9930- 1050- 12	Skruv	Screw			
28	1				9699- 0035- 02	Planbricka	Flat washer			
29	1				9731- 1031- 22	Mutter	Nut			
30	1				1134- 4708- 02	Fäste	Bracket			
31	2				9945- 0816- 16	Skruv	Screw			
36	1				1131- 1507- 00	Fjäder	Spring			
40	1				1134- 5037- 01	Bygel	Bracket			
41	1				1134- 1769- 03	Centrumremskiva kpl.	Centre pulley assy			
42	1				1134- 0051- 09	• Distans	• Spacer			
43	2				9549- 0019- 00	• Kullager	• Ball bearing			
44	1				1134- 1839- 02	Mellanaxel	Shaft			
45	1				9699- 0035- 02	Planbricka	Flat washer			
46	1				9739- 1031- 22	Mutter	Nut			
47	1				9997- 1070- 12	Skruv	Screw			
48	1				1134- 5541- 01	Kopplingsarm	Clutch lever			
49	1				1134- 1565- 10	Distans	Spacer			
50	1				9997- 0860- 16	Skruv	Screw			
51	1				9699- 0056- 02	Planbricka	Flat washer			
52	1				9739- 0831- 22	Mutter	Nut			
53	1				1134- 9027- 02	Spännrulle- grå	Tension roller- grey			
54	1				1134- 1795- 01	Rembygel	Belt stirrup			
55	1				9997- 1040- 16	Skruv	Screw			
56	2				9699- 0035- 02	Planbricka	Flat washer			
57	1				9739- 1031- 22	Mutter	Nut			
58	1				1134- 9146- 01	Drivrem	Drive belt	= 9585- 0204- 01		
59	1				1134- 4164- 03	Bromsklots	Brake pad			
60	1				9959- 0820- 16	Skruv	Screw			
61	1				9699- 0090- 02	Planbricka	Flat washer			
62	1				9747- 0831- 02	Mutter	Lock nut			
63	2				9959- 0820- 16	Skruv	Screw			
64	2				9739- 0831- 22	Mutter	Nut			
65	1				9699- 0056- 02	Planbricka	Flat washer			
66	1				1131- 1506- 00	Fjäder	Spring			
67	1				9997- 0860- 16	Skruv	Screw			
68	2				9739- 0831- 22	Mutter	Nut			

X