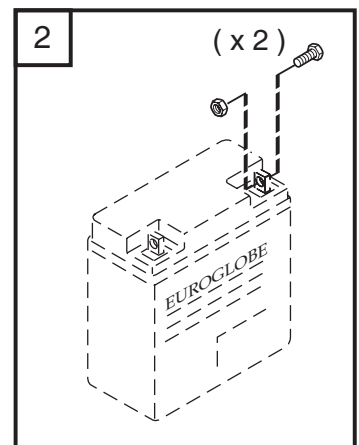
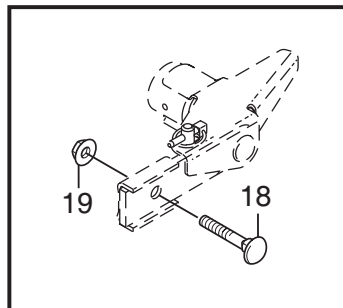
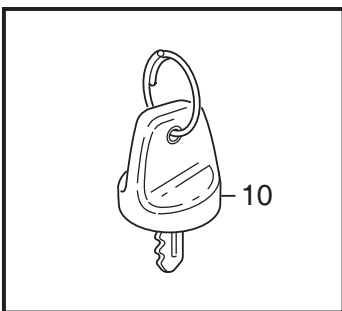
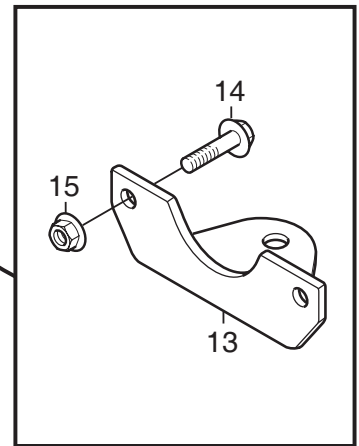
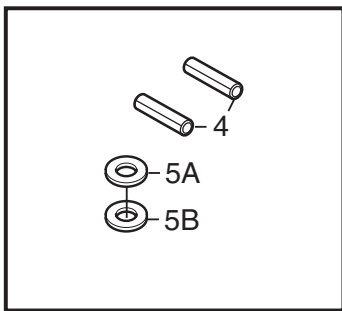
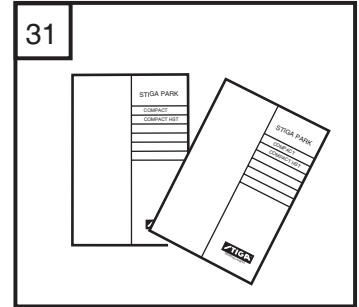
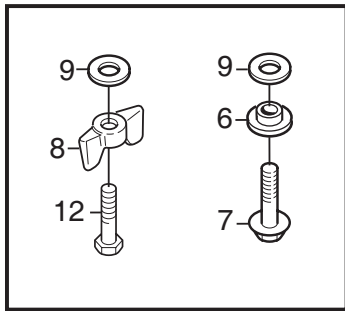
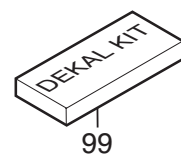
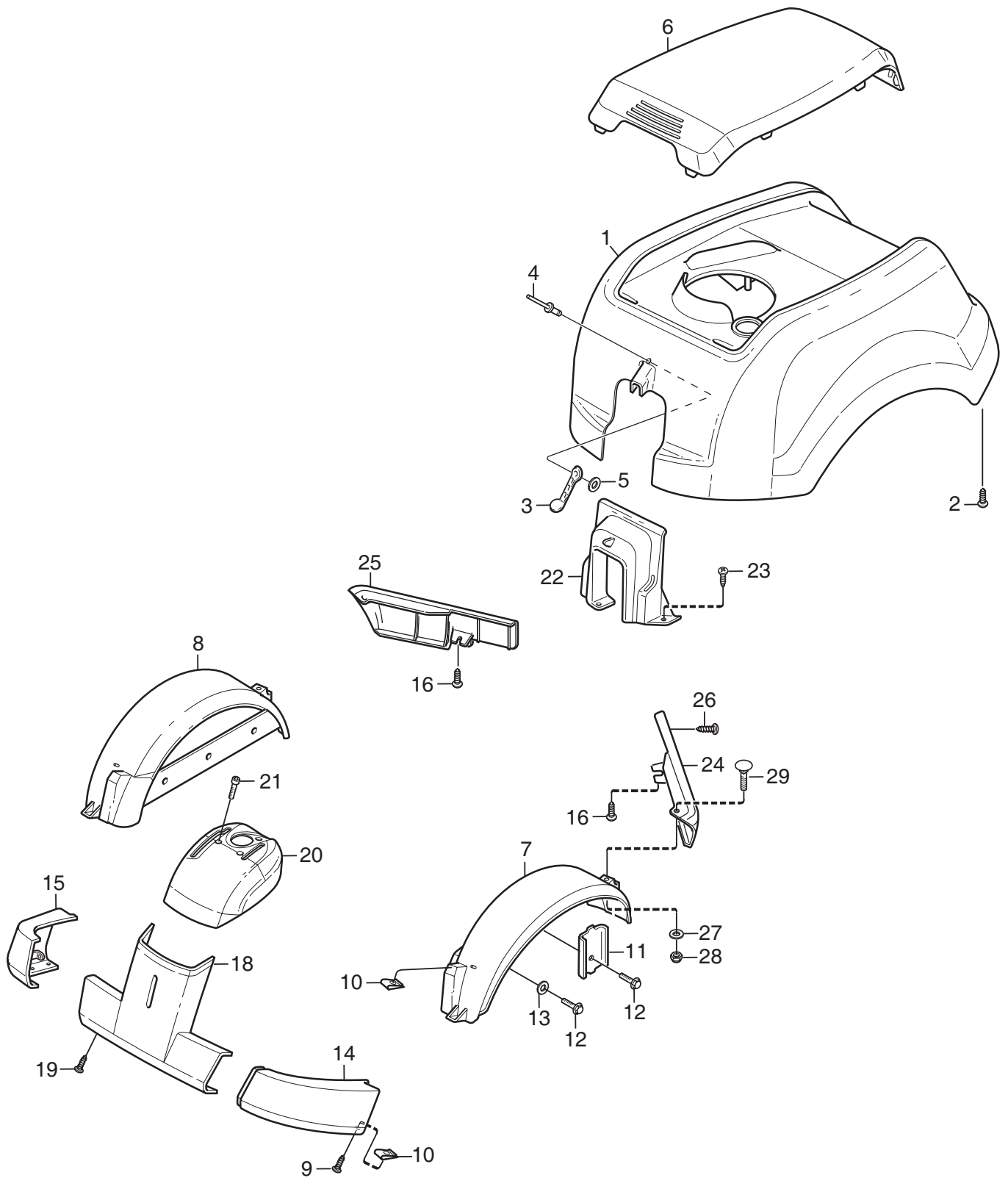


Genuine Spare Parts

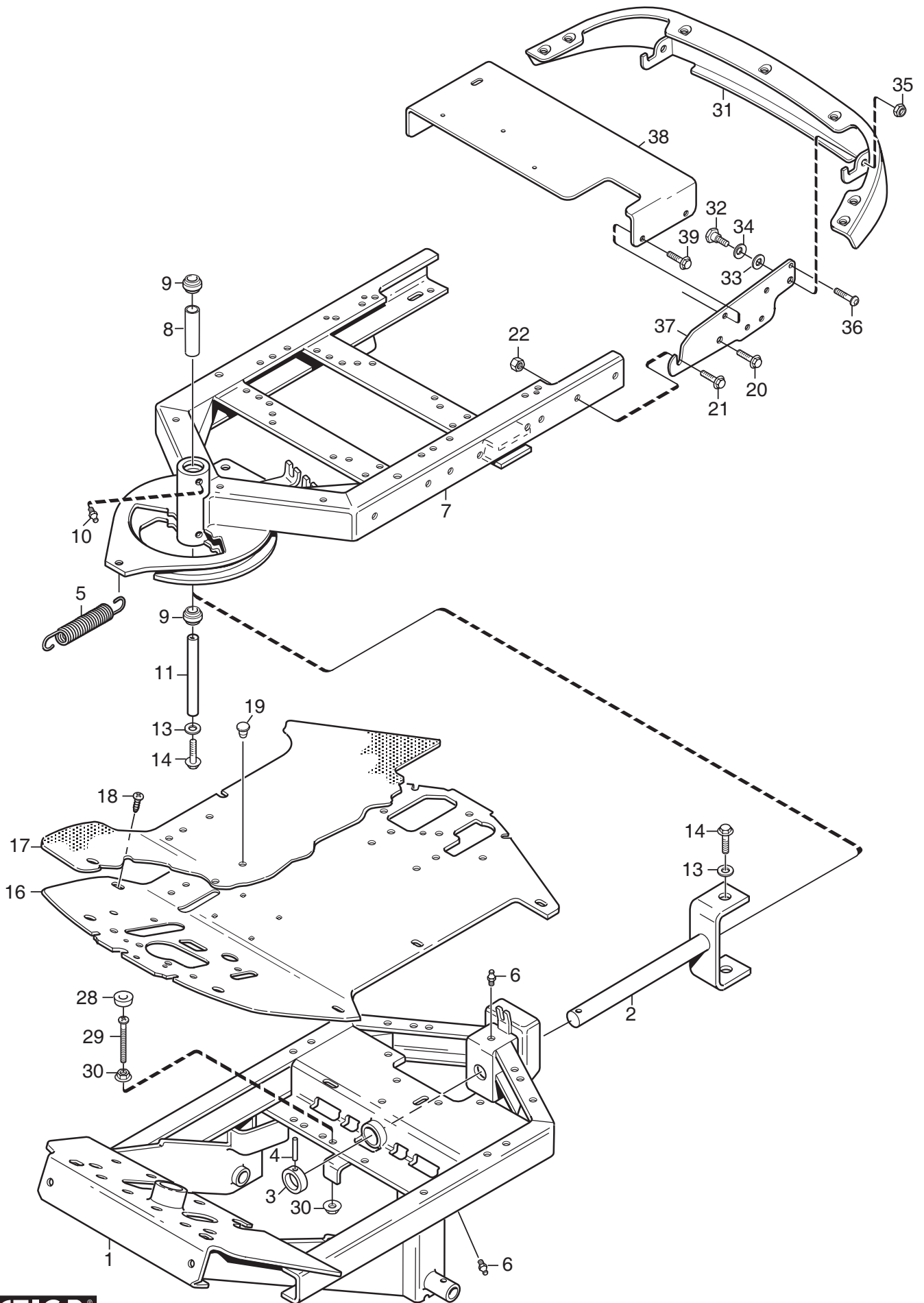




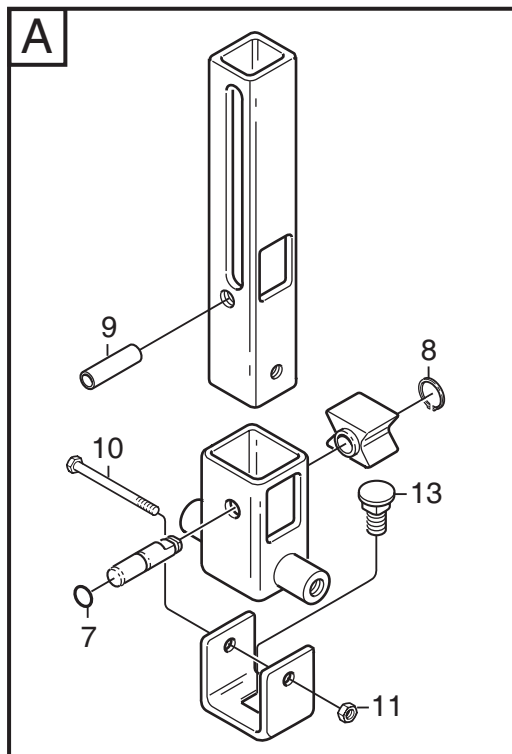
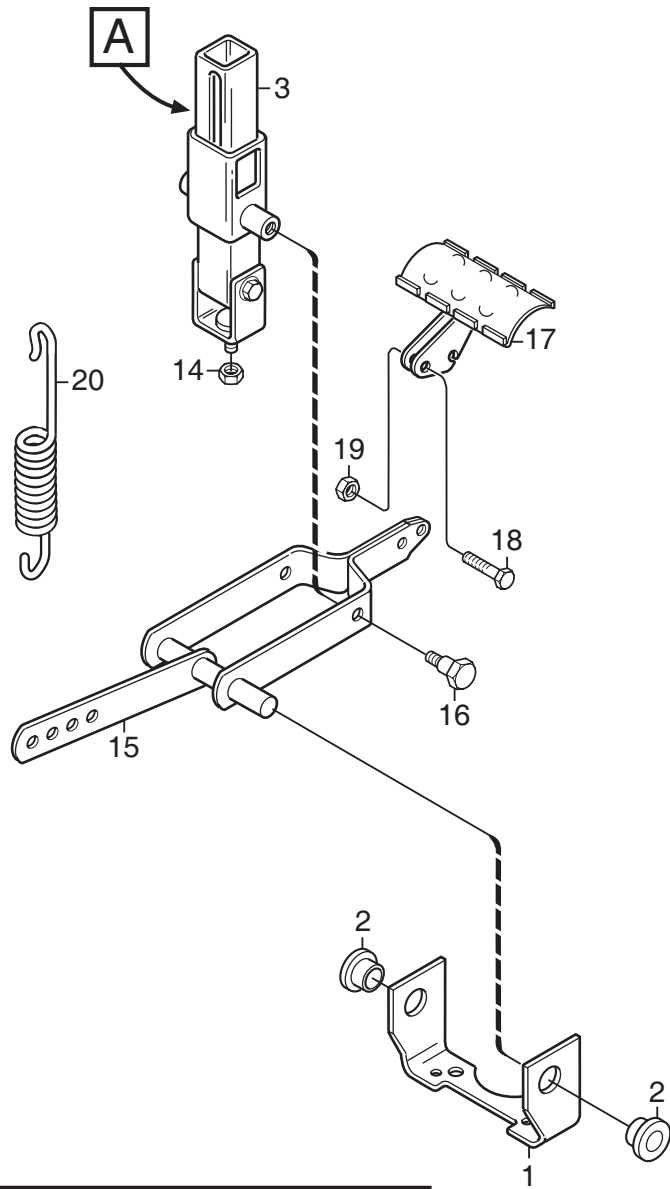
Utgåva Issue		Bildnr Picture No		PARK COMPACT 2WD MONTERINGSDETALJER		PARK COMPACT 2WD ASSEMBLY PARTS		Sida Page	
2010-11		1638D						2	
Pos. Fig.	Antal/Quantity			Art nr Part No	Benämning	Description	Sats Kit	Anmärkning Notes	
	6109 -21	6102 -21	6103 -21						
2	1	1	1	1134-6113-01	Batteriskruvar	Battery screws			
4	2	2	2	9595-0262-00	Spännstift	Locating pin			
5A	1	1	1	9699-0103-02	Shims	Flat washer		0.5 mm	
5B	1	1	1	9699-0114-02	Shims	Flat washer		1.0 mm	
6	2	2	2	1134-4185-01	Ansatsbricka	Flange washer			
7	2	2	2	9959-0820-16	Skruv	Screw			
8	2	2	2	1134-4481-01	Vingmutter	Wing nut			
9	4	4	4	9699-0056-02	Planbricka	Flat washer			
10	2	2	2	1134-4734-01	Tändningsnyckel	Ignition key			
12	2	2	2	9997-0820-16	Skruv	Screw			
13	1	1	1	1134-5512-01	Dragplåt	Towing plate			
14	2	2	2	9959-0820-16	Skruv	Screw			
15	2	2	2	9739-0831-22	Mutter	Nut			
18	2	2	2	9898-1035-16	Skruv	Screw			
19	2	2	2	9739-1031-22	Mutter	Nut			
X 31		1		8211-0001-00	Bruksanvisning	Owner's manual			
X 31			1	8211-0001-91	Bruksanvisning	Owner's manual			
31	1			8211-0022-90	Bruksanvisning	Owner's manual			
31	1	1	1	8211-0601-90	Monteringsanvisning	Assy instructions			
31	1	1	1	8211-0701-91	Säkerhetsföreskrifter	Safety regulations			
31	1	1	1	8211-0901-90	Servicebok	Service book			
31	1	1	1	8211-0960-90	Garantikort	Warranty card			



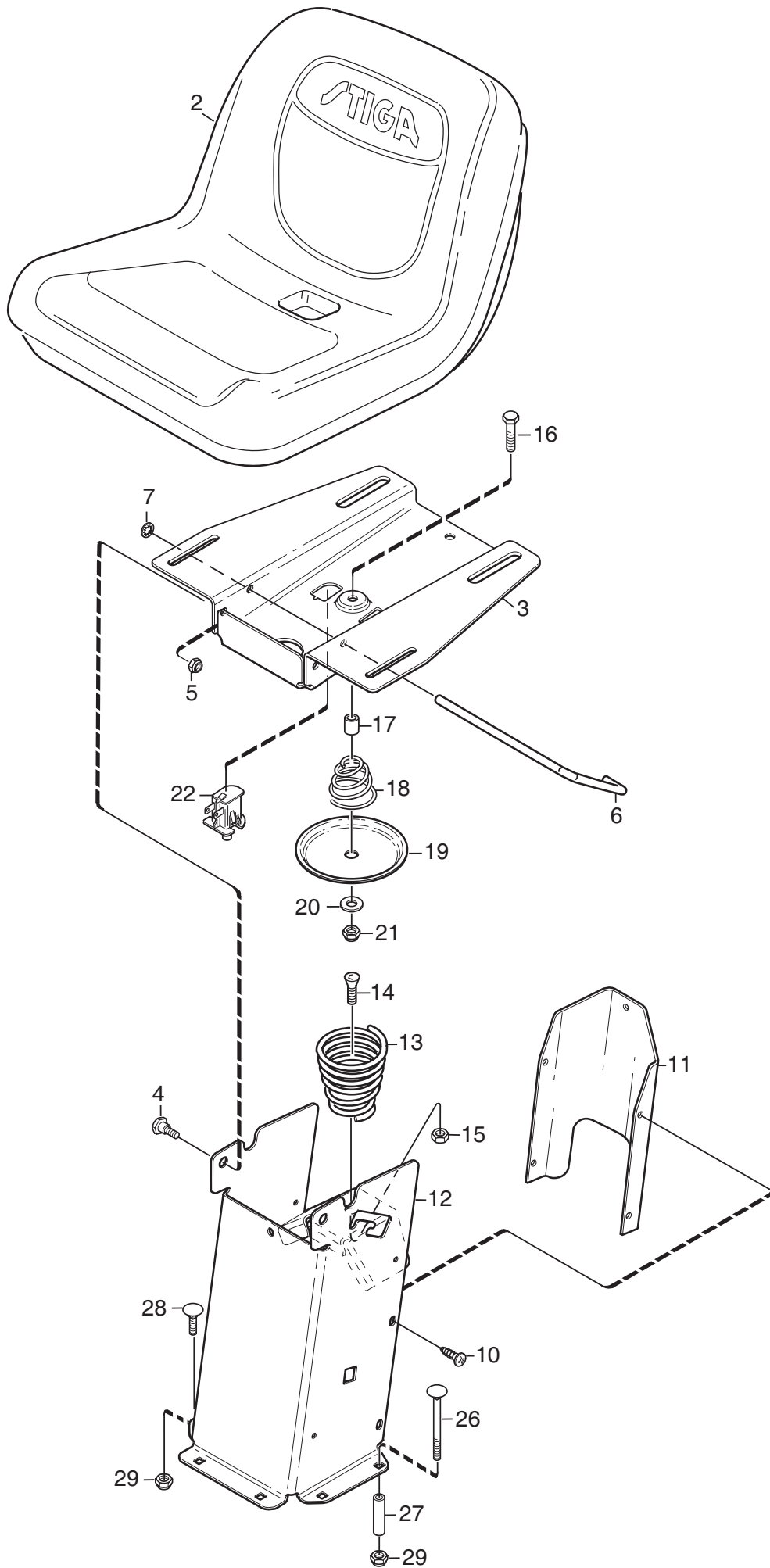
Utgåva Issue		Bildnr Picture No		PARK COMPACT 2WD KAROSS		PARK COMPACT 2WD BODY WORK		Sida Page	
2010- 11		1658B						4	
Pos. Fig.	Antal/Quantity				Art nr Part No	Benämning	Description	Sats Kit	Anmärkning Notes
	6102	6103	6109	-21					
1	1				1134-5263-02	Motorhuv- gul	Engine hood- yellow		Sats 3 st/kit of 3
2	7				9838-9530-12	Skruv	Screw		
3	1				1134-9028-01	Gummistropp- sats	Rubber strap kit		
4	1				9632-0516-00	Popnit	Pop rivet		
5	1				9699-0120-02	Bricka	Washer		
6	1				1134-5264-01	Motorlucka- grå	Engine cover- grey		
7	1				1134-5308-01	Stänkskärm vä- grå	Mud guard LH- grey		
8	1				1134-5308-02	Stänkskärm hö- grå	Mud guard RH- grey		
9	4				9893-0616-16	Skruv	Screw		
10	4				1134-4176-01	Clips	Clips		
11	2				1134-0225-00	Stödplåt	Support plate		
12	6				9945-0816-16	Skruv	Screw		
13	4				9699-0056-02	Planbricka	Flat washer		
14	1				1134-5306-01	Stötfångare, front- vä	Bumper, front- LH		
15	1				1134-5306-02	Stötfångare, front- hö	Bumper, front- RH		
16	2				9893-0616-16	Skruv	Screw		
18	1				1134-5305-01	Front- nedre	Front plate- lower		
19	2				9893-0616-16	Skruv	Screw		
20	1				1134-5320-02	Front- övre	Front- upper		
21	2				9946-0525-16	Skruv	Screw		
22	1				1134-6241-01	Huvstöd	Hood support		
23	3				9893-0616-16	Skruv	Screw		
24	1				1134-3970-05	Kantlist- vä, grå	Moulding- LH, grey		
25	1				1134-3970-02	Kantlist- hö, grå	Moulding- RH, grey		
26	2				9893-0616-16	Skruv	Screw		
27	2				9699-0060-02	Planbricka	Flat washer		
28	2				9747-0631-02	Låsmutter	Lock nut		
29	2				9897-0616-16	Vagnsbult	Carriage bolt		
99	1				1134-6440-02	Dekalsats	Label kit		



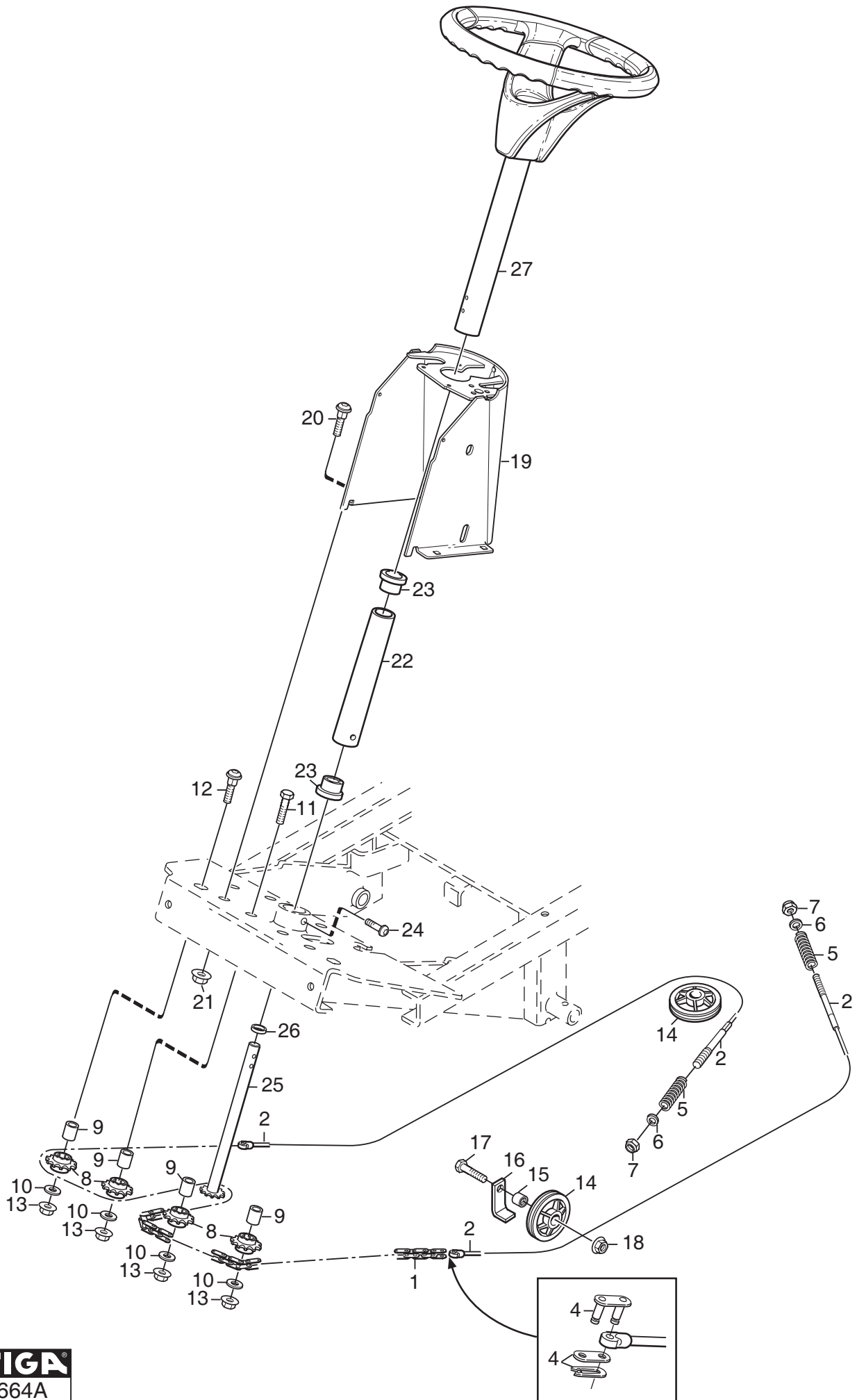
Utgåva Issue		Bildnr Picture No		PARK COMPACT 2WD RAM		PARK COMPACT 2WD FRAME		Sida Page	
2010- 11		1669C						6	
Pos. Fig.	Antal/Quantity				Art nr Part No	Benämning	Description	Sats Kit	Anmärkning Notes
	6102	6103	6109	-21					
1	1				1134-5315-03	Ram- främre	Frame- front		
2	1				1134-3963-02	• Midjegaffel	• Clevis		
3	1				1134-0031-00	• Ledaxelstopp	• Pivot shaft stop		
4	1				9595-0262-00	• Spännstift	• Locating pin		
5	1				1134-2171-01	Fjäder.....	Spring		
6	2				9501-0500-00	Smörjnippel	Grease joint.....		
7	1				1134-6466-01	Ram- bakre	Frame- rear.....		
8	1				1134-5705-01	• Distans	• Spacer.....		
9	2				9547-0001-00	• Ledlager.....	• Bearing.....		
10	2				9501-0500-00	• Smörjnippel	• Grease joint.....		
11	1				1134-5988-01	Centrumaxel	Centre shaft.....		
13	2				9699-0035-02	Planbricka.....	Flat washer.....		
14	2				9959-1025-16	Skruv.....	Screw.....		
16	1				1134-5294-01	Durk.....	Floor plate		
17	1				1134-6372-04	Durkmatta.....	Floor mat.....		
18	2				9893-0616-16	Skruv.....	Screw.....		
19	2				9403-0048-70	Täckpropp	Plug		
20	2				9945-0816-16	Skruv.....	Screw.....		
21	2				9959-0820-16	Skruv.....	Screw.....		
22	2				9739-0831-22	Mutter.....	Nut		
28	1				1134-4975-01	Gummibuffert	Rubber block.....		
29	1				9950-0570-12	Skruv.....	Screw.....		
30	2				9739-0531-22	Mutter.....	Nut		
31	1				1134-5337-02	Stötfångare- bak, grå	Bumper- rear, grey		
32	2				1134-0240-00	Ansatsskruv.....	Shoulder screw		
33	2				1134-4242-01	Distansbricka.....	Spacer washer		
34	2				9665-0002-00	Brickfjäder	Bowed washer.....		
35	2				9747-0831-02	Mutter.....	Lock nut.....		
36	2				9943-0516-16	Skruv.....	Screw.....		
37	2				1134-5345-01	Stag	Attachment.....		
38	1				1134-5344-01	Batterihylla.....	Battery shelf.....		
39	4				9945-0816-16	Skruv.....	Screw.....		



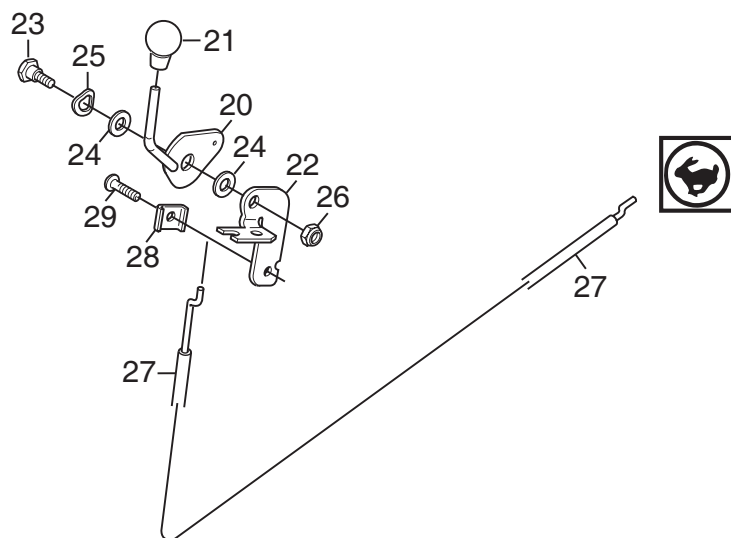
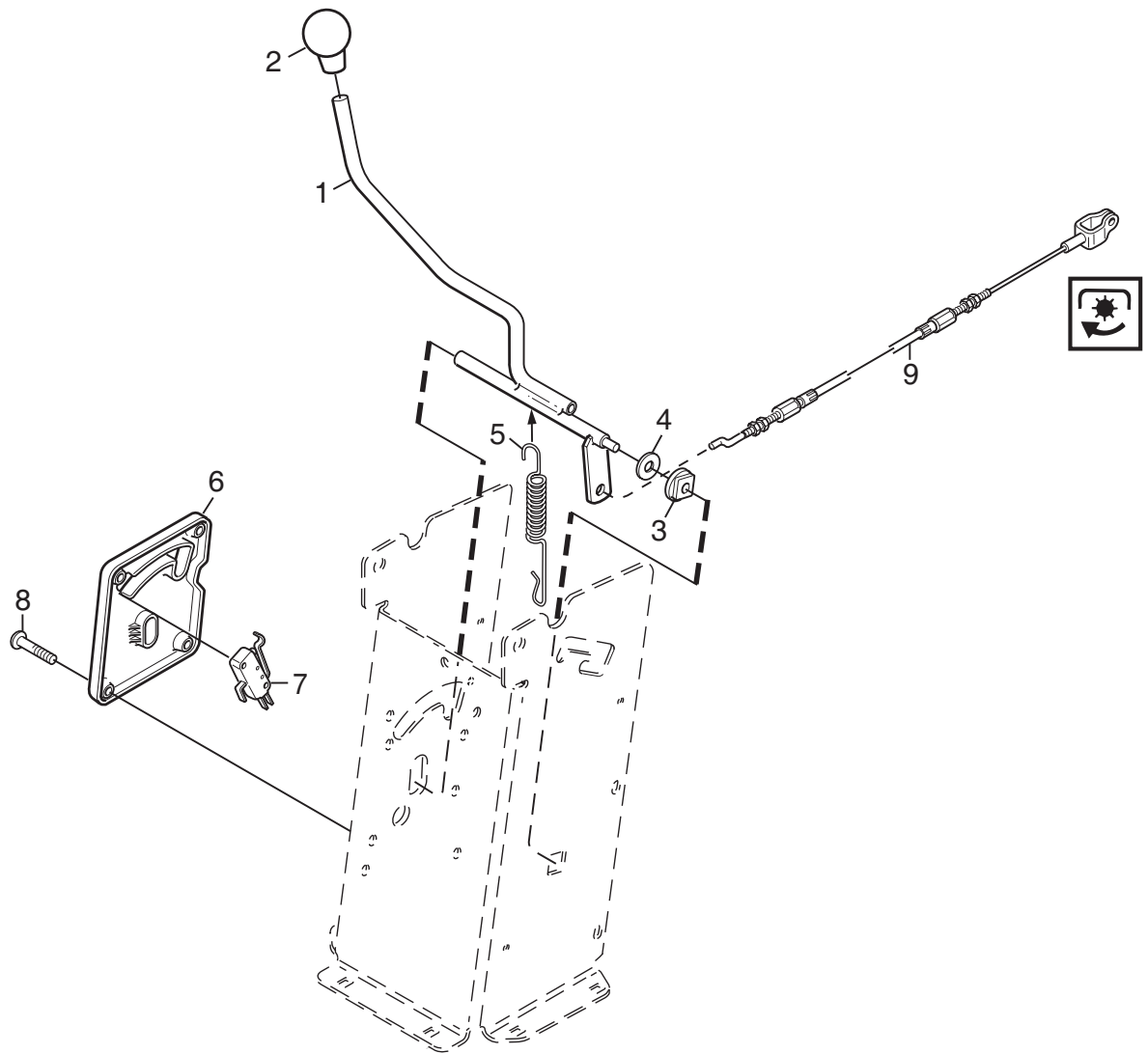
Utgåva Issue		Bildnr Picture No		PARK COMPACT 2WD PEDALLYFT		PARK COMPACT 2WD PEDAL LIFT		Sida Page	
2010- 11		1023D						8	
Pos. Fig.	Antal/Quantity				Art nr Part No	Benämning	Description	Sats Kit	Anmärkning Notes
	6102	6103	6109	-21					
1	1				1134-4117-01 Fäste	Bracket			
2	2				1134-2684-01 Lager	Bearing			
3	1				1134-4945-01 Lyftspärr kpl	Lift catch assy			
7	1				9404-0027-01 • O- ring	• O- ring			
8	1				9650-0039-04 • Seegersäkring	• Lock ring			
9	1				9595-0276-01 • Spännstift	• Locating pin			
10	1				9997-0640-12 • Skruv	• Screw			
11	1				9747-0631-02 • Låsmutter	• Lock nut			
13	1				9897-0820-16 • Skruv	• Screw			
14	1				9747-0831-02 Mutter	Lock nut			
15	1				1134-4860-01 Lyftgaffel	Lift fork			
16	2				1134-0240-00 Ansatsskruv	Shoulder screw			
17	1				1134-4938-01 Lyftpedal	Lift pedal			
18	2				9997-0625-16 Skruv	Screw			
19	2				9739-0631-22 Mutter	Nut			
20	1				4231-0013-00 Fjäder	Spring			



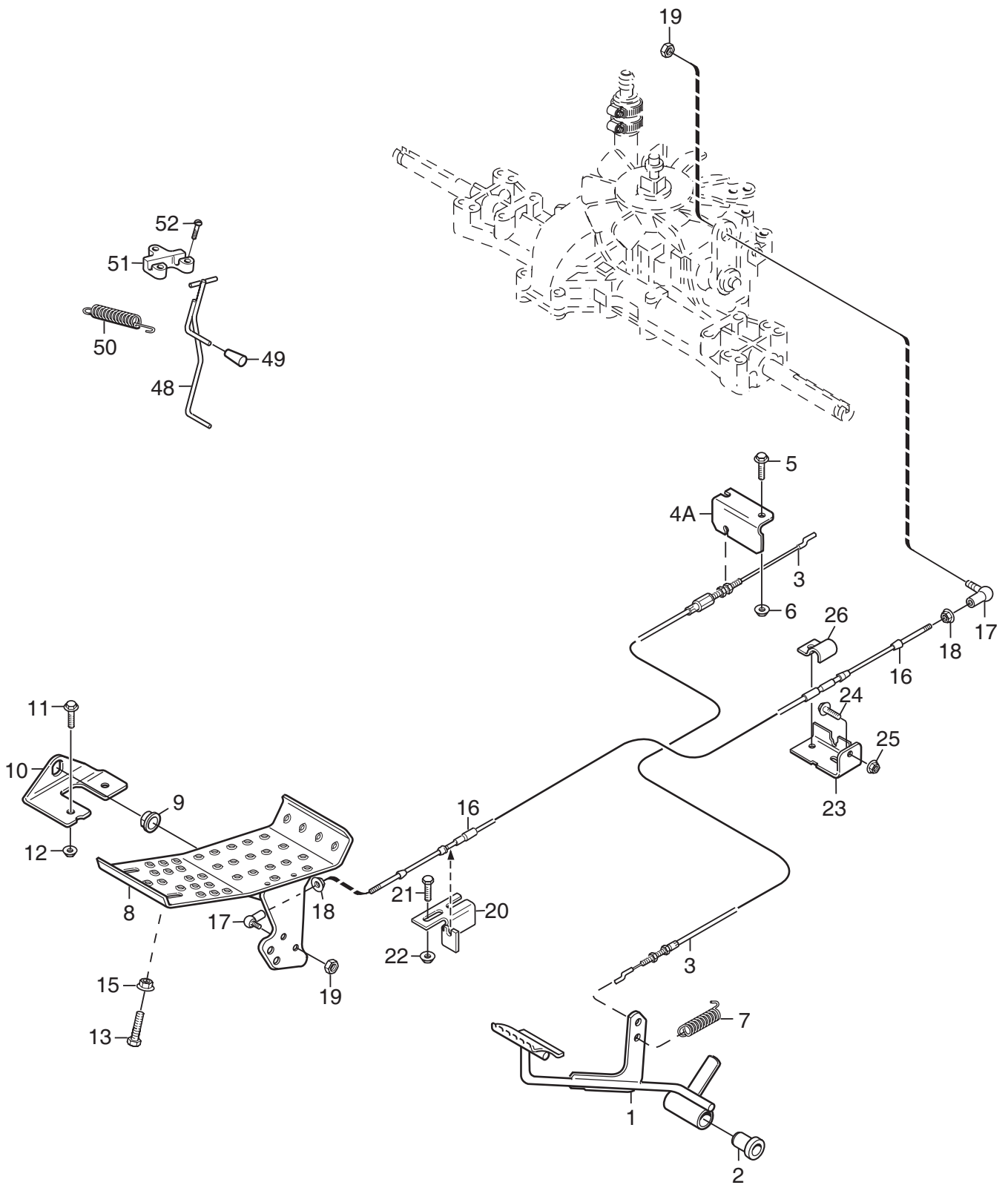
Utgåva Issue		Bildnr Picture No		PARK COMPACT 2WD SITS		PARK COMPACT 2WD SEAT		Sida Page	
2010- 11		1657B						10	
Pos. Fig.	Antal/Quantity				Art nr Part No	Benämning	Description	Sats Kit	Anmärkning Notes
	6102	6103	6109	-21					
2	1				1134-6444-01 Sits	Seat			
3	1				1134-5301-01 Sitsplatta	Seat plate			
4	2				1134-0240-00 Ansatsskruv	Shoulder screw			
5	2				9747-0831-02 Mutter	Lock nut			
6	1				1134-5454-01 Spärr	Catch			
7	1				9675-0012-02 Starlock	Locking washer			
10	4				9893-0616-16 Skruv	Screw			
11	1				1134-5300-01 Bakstycke- gul	Rear plate- yellow			
12	1				1134-5296-04 Sitskonsol- gul	Seat bracket- yellow			
13	1				1134-4256-01 Sitsfjäder	Seat spring			
14	1				9924-1235-19 Skruv	Screw			
15	1				9747-1231-02 Låsmutter	Lock nut			
16	1				9997-0840-16 Skruv	Screw			
17	1				1134-1565-06 Distans	Spacer			
18	1				1134-5302-01 Fjäder	Spring			
19	1				1134-5299-01 Tryckplatta	Push plate			
20	1				9699-0090-02 Planbricka	Flat washer			
21	1				9747-0831-02 Mutter	Lock nut			
22	1				1134-3156-02 Brytare (grå)	Switch (grey)			
26	2				9897-0880-12 Skruv	Screw			L = 80 mm
27	2				1134-1565-08 Distans	Spacer			
28	4				9897-0820-16 Skruv	Screw			L = 20 mm
29	6				9747-0831-02 Mutter	Lock nut			



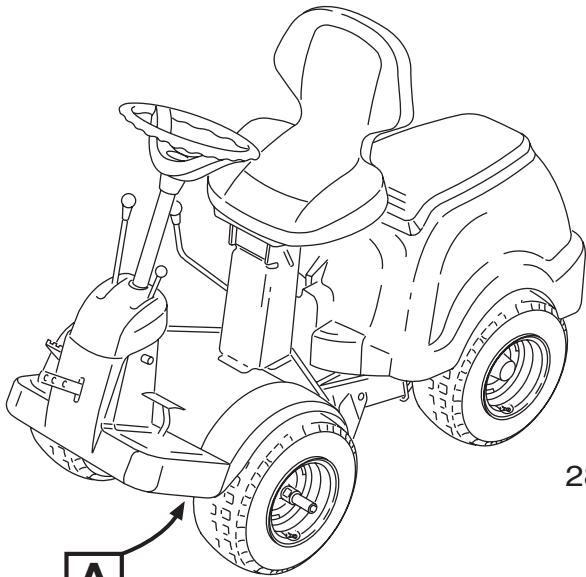
Utgåva Issue		Bildnr Picture No		PARK COMPACT 2WD STYRNING		PARK COMPACT 2WD STEERING		Sida Page	
2010- 11		1664A						12	
Pos. Fig.	Antal/Quantity				Art nr Part No	Benämning	Description	Sats Kit	Anmärkning Notes
	6102	6103	6109	-21					
1	1				1134-6374-06 Kedja	Chain.....		83 länk	
2	1				1134-9084-01 Styrwire kpl (vä+hö)	Steering cable assy		Sats vä+hö/kit L+R	
4	2				1134-2824-02 Kedjelås	Chain lock		L = 58 mm	
5	2				1134-3817-01 Tryckfjäder	Compression spring.....			
6	2				9699-0090-02 Planbricka.....	Flat washer.....			
7	2				9747-0831-02 Mutter.....	Lock nut.....			
8	4				1134-2816-01 Kedjehjul.....	Sprocket.....			
9	4				1134-0041-02 Linhjushylsa	Idler wheel bush.....			
10	4				9699-0035-02 Planbricka.....	Flat washer.....			
11	2				9997-1050-16 Skruv	Screw.....			
12	2				9897-1040-12 Skruv	Screw.....			
13	4				9739-1031-22 Mutter.....	Nut			
14	2				1134-9025-01 Linhjuls-sats	Steering pulley- kit		Sats 2 st/kit of 2	
15	2				1134-0041-01 Linhjushylsa	Bushing.....			
16	2				1134-0046-00 Linhållare.....	Wire clamp.....			
17	2				9997-1030-16 Skruv	Screw.....			
18	2				9739-1031-22 Mutter.....	Nut			
19	1				1134-5349-01 Styrkonsol- gul	Steering console- yel.....			
20	4				9897-0820-16 Skruv	Screw.....			
21	4				9739-0831-22 Mutter.....	Nut			
22	1				1134-1305-05 Rattrör- nedre	Steering column- lower			
23	2				1134-1901-01 Lager	Bearing.....			
24	2				9893-0616-16 Skruv	Screw.....			
X 25	1				1137-0079-02 Rattstång	Steering rod			
X 26	1				1134-2837-01 Distans	Spacer.....			
27	1				1134-5496-03 Ratt.....	Steering wheel			



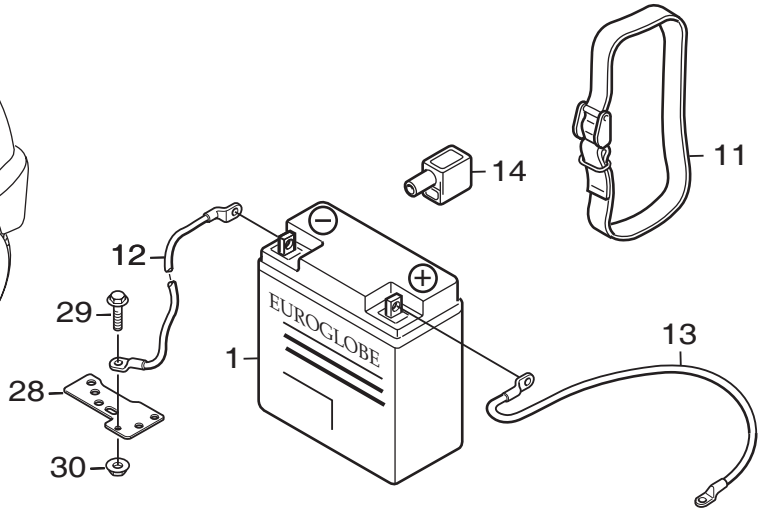
Utgåva Issue 2010- 11		Bildnr Picture No 1670B		PARK COMPACT 2WD HANDREGLAGE		PARK COMPACT 2WD HAND CONTROLS		Sida Page 14	
Pos. Fig.	Antal/Quantity				Art nr Part No	Benämning	Description	Sats Kit	Anmärkning Notes
	6102	6103	6109	-21					
1	1				1134- 6301- 01	Aggregatsspak.....	Engagement lever		
2	1				1134- 2551- 01	Reglageknopp.....	Knob		
3	1				1134- 3790- 02	Lager	Bearing.....		
4	1				9699- 0090- 02	Planbricka.....	Flat washer.....		
5	1				4231- 0013- 00	Fjäder.....	Spring		
6	1				1134- 5368- 01	Panel	Dashboard		
7	1				9400- 0312- 01	Mikrobrytare.....	Micro switch		
8	4				9946- 0525- 16	Skruv	Screw		
9	1				1134- 3573- 05	Reglagewire.....	Control cable.....		
20	1				1134- 5465- 01	Gasreglage.....	Throttle lever.....		
21	1				1134- 4078- 01	Knopp.....	Knob		
22	1				1134- 5464- 01	Fäste.....	Bracket.....		
23	1				1134- 0240- 00	Ansattsskruv.....	Shoulder screw.....		
24	2				1134- 4242- 01	Distansbricka.....	Spacer washer		
25	1				9694- 0001- 00	Fjäderbricka	Washer.....		
26	1				9747- 0831- 02	Mutter.....	Lock nut.....		
27	1				1134- 4197- 03	Gaswire	Throttle cable		
28	1				9500- 9991- 00	Wireklämma	Cable clamp		
29	1				9943- 0516- 16	Skruv.....	Screw.....		



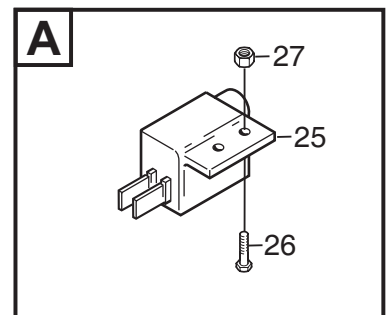
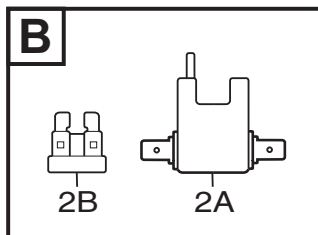
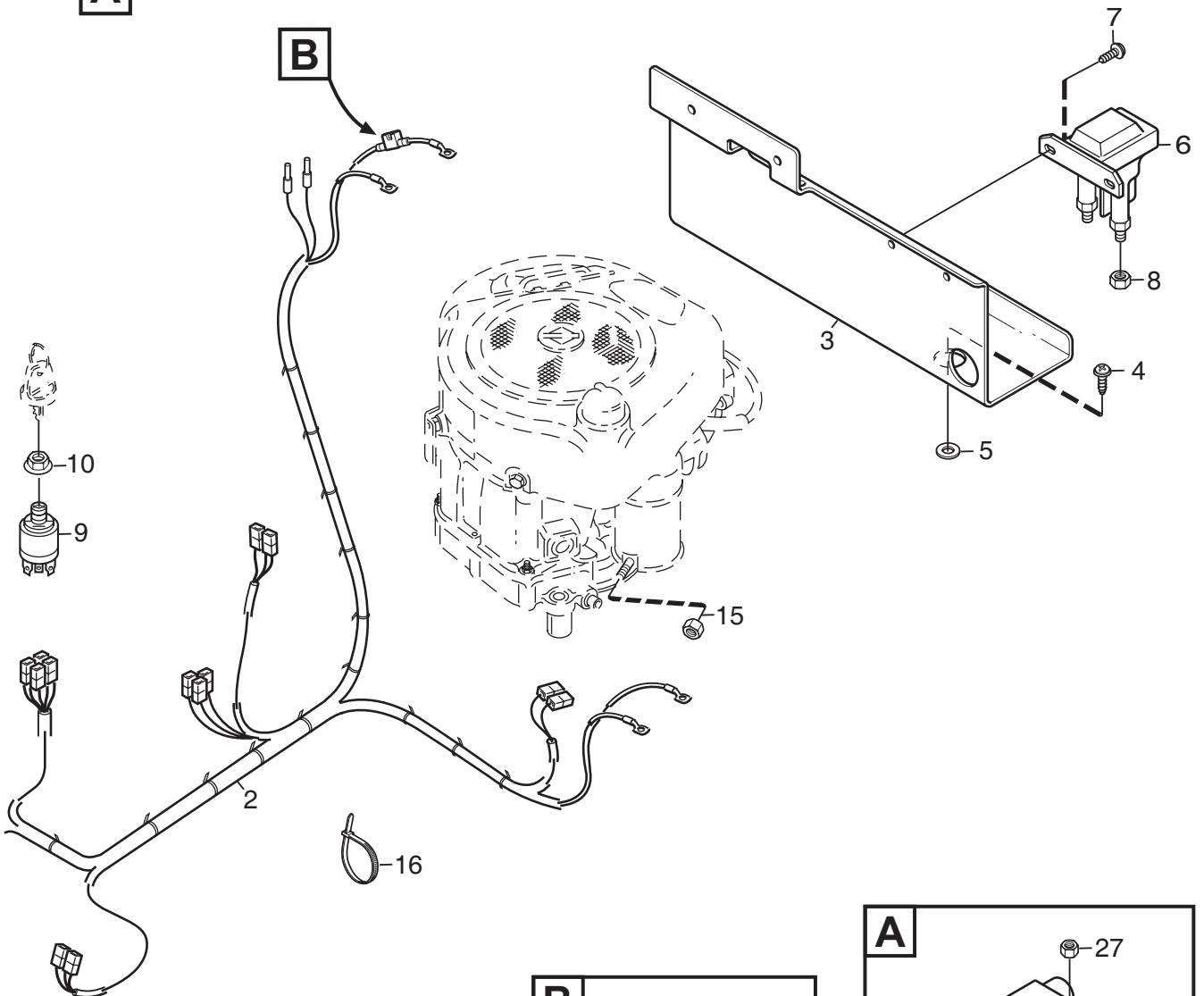
Utgåva Issue		Bildnr Picture No		PARK COMPACT 2WD FOTREGLAGE		PARK COMPACT 2WD FOOT CONTROLS		Sida Page	
2010- 11		1666B						16	
Pos. Fig.	Antal/Quantity				Art nr Part No	Benämning	Description	Sats Kit	Anmärkning Notes
	6102	6103	6109	-21					
1	1				1134-4247-01	Broms/kopplingspedal.....	Brake/clutch pedal.....		Sats 4 st/kit of 4
2	1				1134-9024-01	• Lager	• Bearing		
3	1				1134-3584-03	Broms/kopplingswire.....	Brake/clutch cable		
4A	1				1134-6467-01	Wirefäste	Cable holder		
5	2				9959-0820-16	Skruv	Screw		
6	2				9739-0831-22	Mutter.....	Nut		
7	1				1134-3974-01	Fjäder.....	Spring		
8	1				1134-6353-01	Drivpedal	Drive pedal		
9	2				1134-6313-01	Lager	Bearing.....		
10	2				1134-2700-01	Fäste	Bracket		
11	2				9959-0820-16	Skruv	Screw		
12	2				9739-0831-22	Mutter.....	Nut		
13	1				9997-0835-16	Skruv	Screw		
15	1				9739-0831-22	Mutter.....	Nut		
16	1				1134-2766-05	Reglagewire.....	Speed control cable		
17	2				9570-0001-00	Vinkellänk	Elbow link		
18	2				9739-0531-22	Mutter.....	Nut		
19	2				9747-0531-02	Mutter.....	Nut		
20	1				1134-6317-01	Wirefäste	Cable holder		
21	2				9959-0620-16	Skruv	Screw		
22	2				9739-0631-22	Mutter.....	Nut		
23	1				1134-3395-01	Fäste	Attachment.....		
24	2				9959-0820-16	Skruv	Screw		
25	2				9739-0831-22	Mutter.....	Nut		
26	1				1134-2021-01	Växelwirefäste	Clamp.....		
48	1				1134-5353-01	Bromsstång	Brake rod		
49	1				1134-2786-01	Plastknopp.....	Plastic knob		
50	1				1131-1497-01	Fjäder.....	Spring		
51	1				1134-4002-01	Fäste	Brake rod attachment.....		
52	3				9838-9516-12	Skruv	Screw		



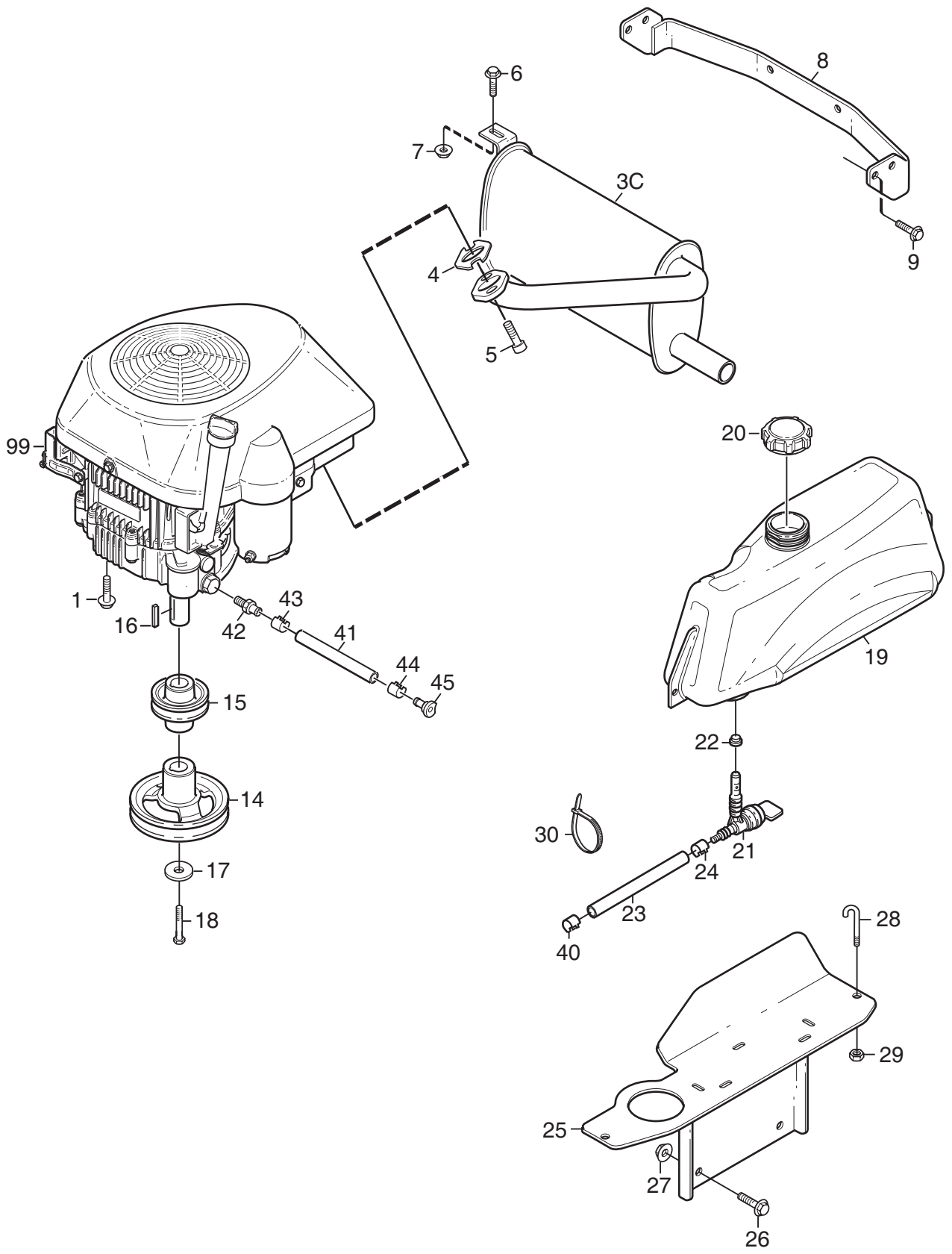
A



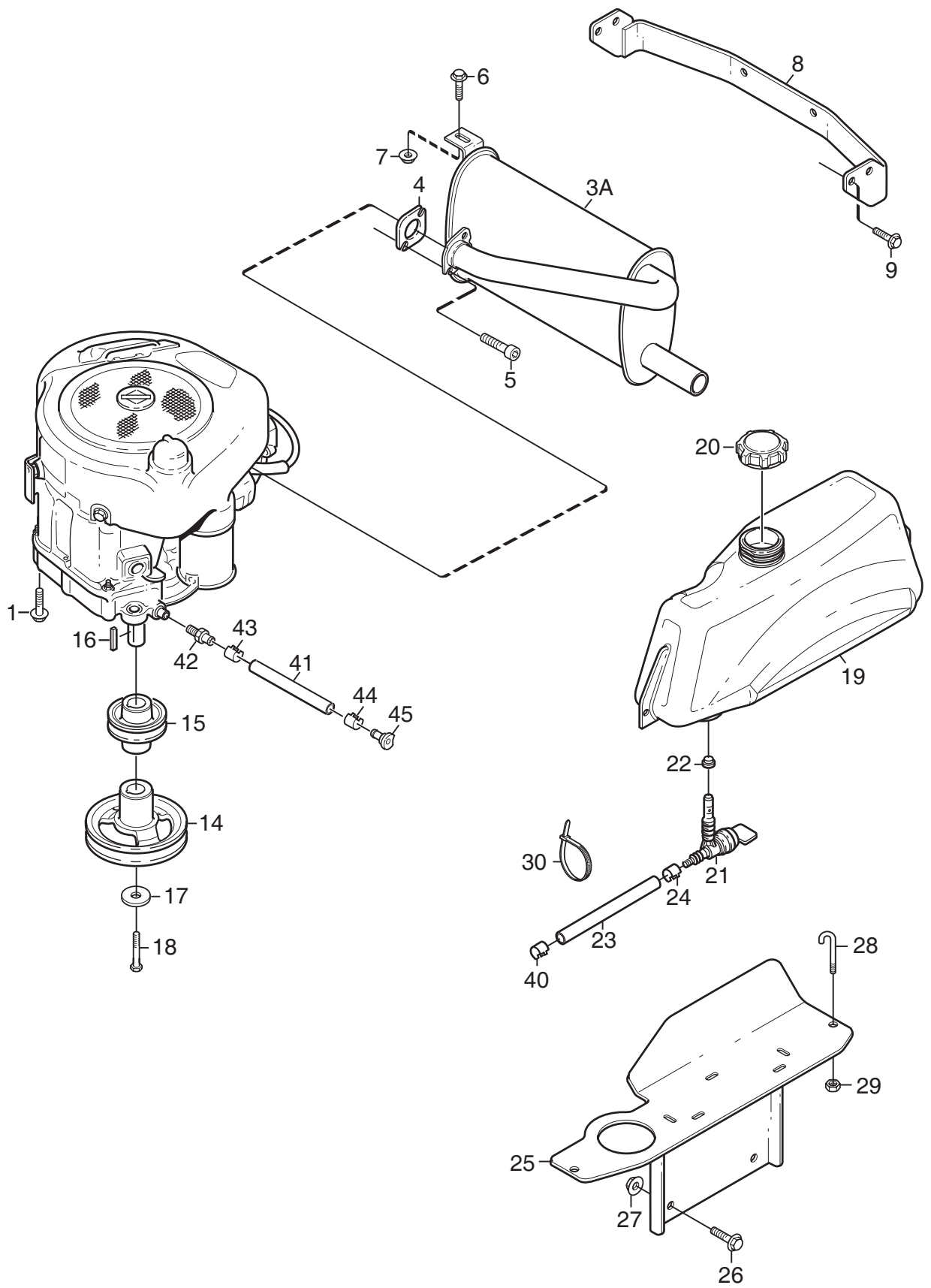
B



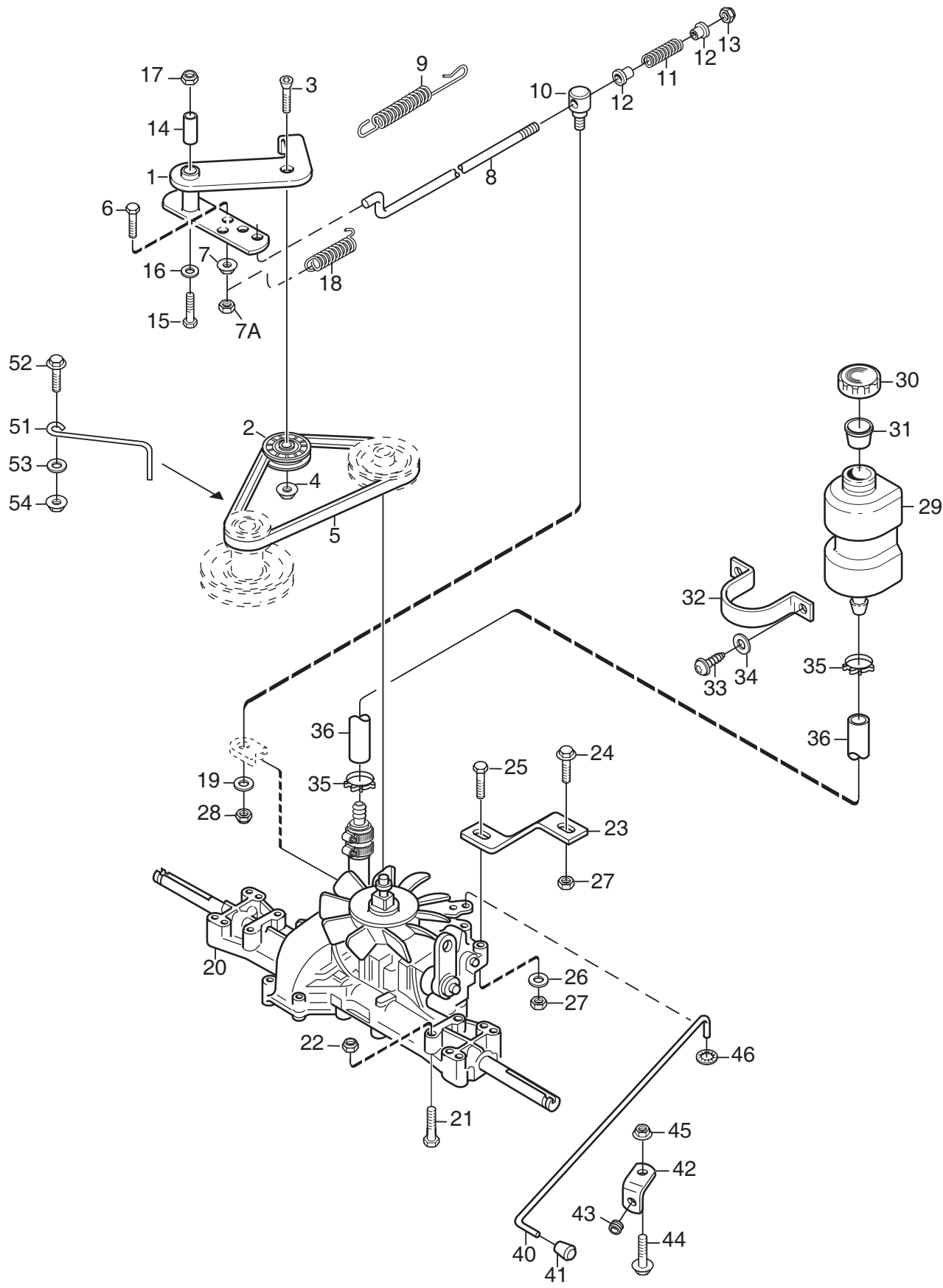
Utgåva Issue		Bildnr Picture No		PARK COMPACT 2WD ELUTRUSTNING		PARK COMPACT 2WD EL. EQUIPMENT		Sida Page	
2010- 11		1671E						18	
Pos. Fig.	Antal/Quantity			Art nr Part No	Benämning	Description	Sats Kit	Anmärkning Notes	
	6109 -21	6102 6103 -21							
X 1	1	1		1134-4804-01	Batteri	Battery		Inkl. pos 2B L = 530 mm L = 630 mm M6 1/4" UNC	
2	1	1		1134-5769-01	Kablage	Harness			
2A	1	1		9400-0327-01	• Säkringshållare	• Fuse holder			
2B	1	1		1134-3496-06	• • Säkring	• • Fuse			
3	1	1		1134-5343-01	Batterikonsol	Battery bracket			
4	3	3		9852-8013-16	Skruv	Screw			
5	2	2		9699-0060-02	Planbricka	Flat washer			
6	1	1		1134-2962-01	Solenoid kpl	Solenoid assy			
7	2	2		9852-8013-16	Skruv	Screw			
8	2	2		9794-5131-02	• Mutter	• Nut			
9	1	1		1134-4093-01	Tändningslås	Ignition switch			
10	1	1		1134-4749-01	Mutter	Nut			
11	1	1		1134-5245-01	Batterirem	Battery strap			
12		1		1134-2167-01	Kabel	Cable			
12	1			1134-2167-02	Kabel	Cable			
13	1	1		1134-0234-02	Batterikabel (+)	Battery cable (+)			
14	1	1		1134-2310-01	Batteriskydd	Guard cap			
15	1			9739-0631-22	Mutter	Nut			
15		1		9795-3531-02	Mutter	Nut			
16	15	15		9579-0003-00	Buntband	Cable holder			
25	1	1		1134-3399-02	Brytare	Switch			
26	2	2		9997-0520-16	Skruv	Screw			
27	2	2		9747-0531-02	Mutter	Nut			
28	1			1134-6454-01	Jordplåt	Ground plate			
29	1			9959-0612-16	Skruv	Screw			
30	1			9739-0631-22	Mutter	Nut			



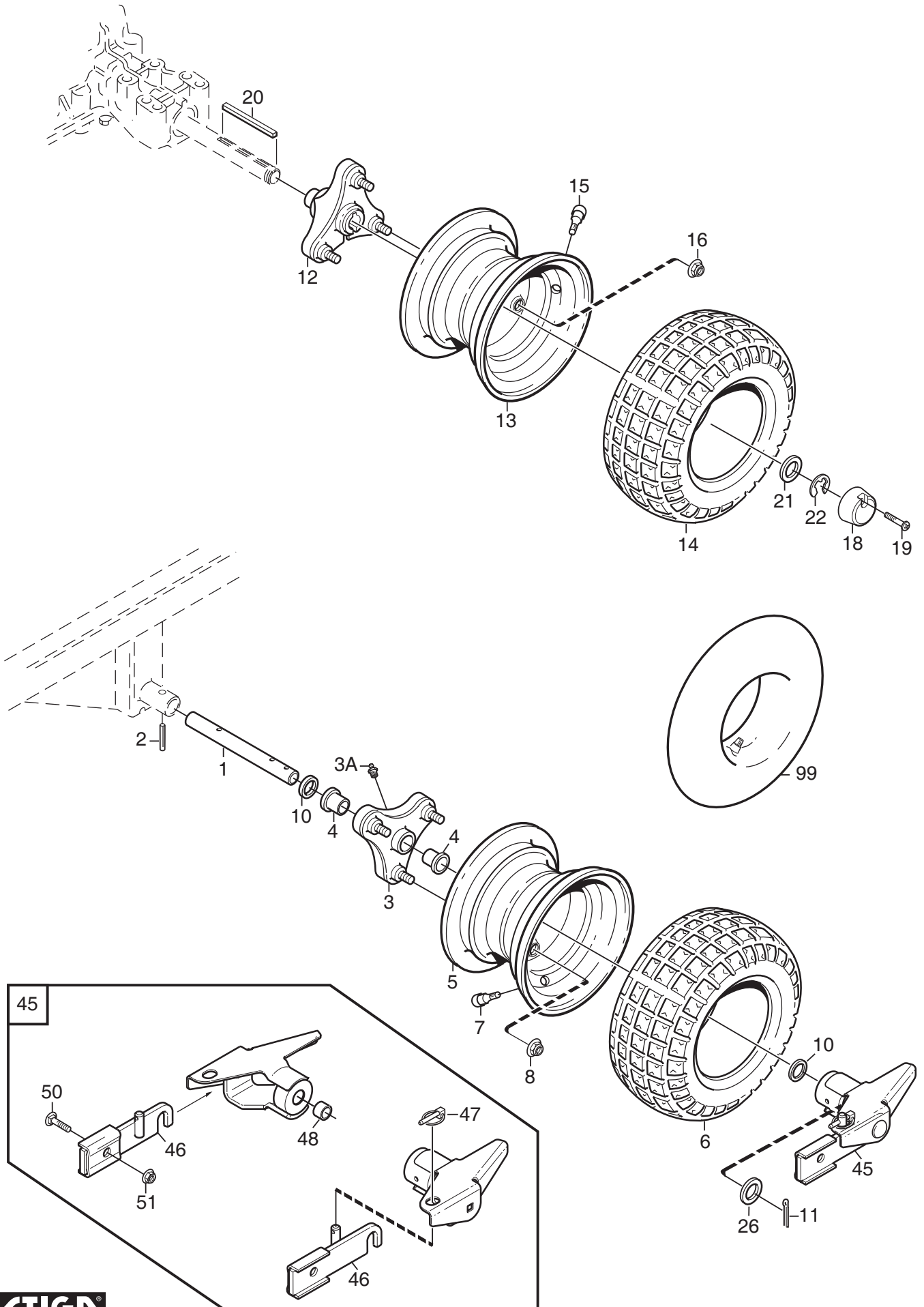
Utgåva Issue 2010-11		Bildnr Picture No 1672D		PARK COMPACT 2WD MOTOR (GGP)		PARK COMPACT 2WD ENGINE (GGP)		Sida Page 20	
Pos. Fig.	Antal/Quantity				Art nr Part No	Benämning	Description	Sats Kit	Anmärkning Notes
	6109 -21								
1	4				9955-3725-16 Skruv.....	Screw.....		3/8" UNC x 25 mm	
3C	1				1134-6622-01 Ljuddämpare	Muffler			
4	1				1134-6624-01 Packning.....	Gasket.....			
5	2				1134-4930-01 Skruv.....	Screw.....			
6	1				9959-0820-16 Skruv.....	Screw.....			
7	1				9739-0831-22 Mutter.....	Nut.....			
8	1				1134-5390-01 Dragkroksbalk	Tow bar bracket.....			
9	4				9945-0816-16 Skruv.....	Screw.....			
14	1				1134-6419-01 Motorremskiva	Engine pulley.....			
15	1				1134-6137-01 Motorremskiva	Engine pulley.....			
16	1				9600-0251-01 Kil	Key		L = 2 1/2"	
17	1				1134-5017-01 Bricka	Washer.....			
18	1				9987-5332-16 Skruv.....	Screw			
19	1				1134-6618-01 Bränsletank.....	Fuel tank			
20	1				1134-5532-01 Tanklock	Fuel tank cap.....			
21	1				1134-3224-01 Bensinkran.....	Fuel shut-off valve.....			
22	1				1134-3225-01 Gummibussning	Grommet.....			
23	1				1134-2975-09 Bensinslang	Fuel hose.....		L = 630 mm	
24	1				9578-0023-02 Slangklämna.....	Hose clamp			
25	1				1134-6627-01 Tankkonsol	Fuel tank bracket.....			
26	2				9959-0820-16 Skruv.....	Screw.....			
27	2				9739-0831-22 Mutter.....	Nut.....			
28	2				1134-5346-01 Tankbygel	Fuel tank loop.....			
29	2				9747-0631-02 Låsmutter	Lock nut.....			
30	1				9579-0003-00 Buntband	Cable holder			
40	1				9578-0023-02 Slangklämna.....	Hose clamp			
41	1				1134-5827-01 Oljeavtappning kpl	Oil drain assy		Inkl. pos 42 - 45	
42	1				1134-5825-01 • Nippel	• Nipple.....			
43	1				9578-0023-04 • Slangklämna.....	• Hose clamp			
44	1				1134-3499-02 • Slangklämna.....	• Hose clamp			
45	1				1134-5826-01 • Plugg	• Plug.....			
99	1				118550451/0 Motor kpl.....	Engine assy.....		GGP WM 14	



Utgåva Issue 2010-11		Bildnr Picture No 1672E		PARK COMPACT 2WD MOTOR (B&S)		PARK COMPACT 2WD ENGINE (B&S)		Sida Page 22	
Pos. Fig.	Antal/Quantity				Art nr Part No	Benämning	Description	Sats Kit	Anmärkning Notes
	6103 -21	6102 -21							
1	4	4			9955-3725-16	Skruv.....	Screw.....		3/8" UNC x 25 mm
3A		1			1134-5370-01	Ljuddämpare	Muffler		
3A	1				1134-7784-01	Ljuddämpare	Muffler		
4	1	1			1134-0433-00	Ljuddämparpackning.....	Muffler gasket.....		
5	2	2			1134-4930-01	Skruv.....	Screw.....		
6	1	1			9959-0820-16	Skruv.....	Screw.....		
7	1	1			9739-0831-22	Mutter.....	Nut.....		
8	1	1			1134-5390-01	Dragkroksbalk	Tow bar bracket.....		
9	4	4			9945-0816-16	Skruv.....	Screw.....		
14	1	1			1134-6419-01	Motorremskiva	Engine pulley.....		
15	1	1			1134-6137-01	Motorremskiva	Engine pulley.....		
16	1	1			9600-0251-01	Kil	Key.....		L = 2 1/2"
17	1	1			1134-5017-01	Bricka	Washer.....		
18	1	1			9987-5332-16	Skruv.....	Screw.....		
19	1	1			1134-6618-01	Bränsletank.....	Fuel tank		
20	1	1			1134-5532-01	Tanklock	Fuel tank cap.....		
21	1	1			1134-3224-01	Bensinkran.....	Fuel shut-off valve.....		
22	1	1			1134-3225-01	Gummibussning.....	Grommet.....		
23	1	1			1134-2975-07	Bensinslang	Fuel hose.....		L = 350 mm
24	1	1			9578-0023-02	Slangklämma.....	Hose clamp.....		
25	1	1			1134-6627-01	Tankkonsol	Fuel tank bracket.....		
26	2	2			9959-0820-16	Skruv.....	Screw.....		
27	2	2			9739-0831-22	Mutter.....	Nut.....		
28	2	2			1134-5346-01	Tankbygel	Fuel tank loop.....		
29	2	2			9747-0631-02	Låsmutter	Lock nut.....		
30	1	1			9579-0003-00	Buntband	Cable holder.....		
40	1	1			9578-0023-02	Slangklämma.....	Hose clamp.....		
41	1	1			1134-5827-01	Oljeavtappning kpl.....	Oil drain assy.....		Inkl. pos 42 - 45
42	1	1			1134-5825-01	• Nippel	• Nipple.....		
43	1	1			9578-0023-04	• Slangklämma.....	• Hose clamp.....		
44	1	1			1134-3499-02	• Slangklämma.....	• Hose clamp.....		
45	1	1			1134-5826-01	• Plugg	• Plug.....		

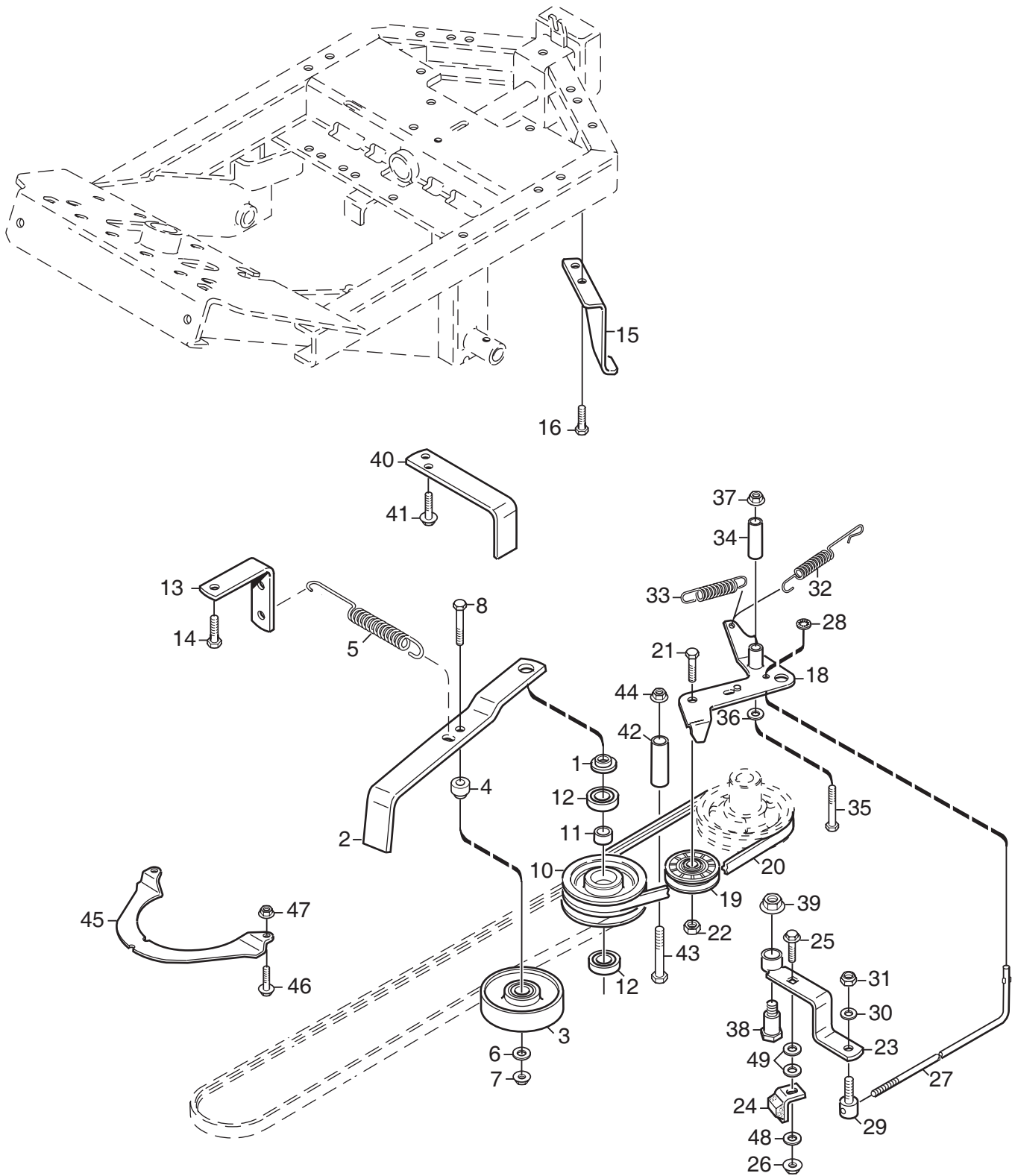


Utgåva Issue		Bildnr Picture No		PARK COMPACT 2WD TRANSMISSION		PARK COMPACT 2WD TRANSMISSION		Sida Page	
2010- 11		1668A						24	
Pos. Fig.	Antal/Quantity				Art nr Part No	Benämning	Description	Sats Kit	Anmärkning Notes
	6102	6103	6109	-21					
1	1				1134-4000-02	Spännarm	Tension arm		
2	1				1134-3459-01	Spännrulle	Tension roller		
3	1				9924-1035-16	Skruv	Screw		
4	1				9799-1031-02	Mutter	Nut		
5	1				1134-9058-01	Drivrem	V- belt.....		
6	1				9997-0625-16	Skruv	Screw		
7	1				9739-0631-22	Mutter	Nut		
7A	1				9747-0631-02	Låsmutter	Lock nut		
8	1				1134-3377-02	Reglagestång	Control rod		
9	1				4231-0013-00	Fjäder	Spring		
10	1				1134-4171-01	Ledtapp	Pivot pin		
11	1				1134-4183-01	Tryckfjäder	Compression spring		
12	2				1134-3456-01	Bussning	Bushing		
13	1				9747-0631-02	Låsmutter	Lock nut		
14	1				1134-1565-08	Distans	Spacer		
15	1				9997-0870-16	Skruv	Screw		
16	1				9699-0056-02	Planbricka	Flat washer		
17	1				9747-0831-02	Mutter	Lock nut		
18	1				1134-6414-01	Fjäder	Spring		
19	1				9699-0060-02	Planbricka	Flat washer		
20	1				1134-7767-01	Transaxel kpl.....	Transaxle assy.....		
X 20	1				1137-0123-01	Transaxel kpl.....	Transaxle assy.....		Kanzaki K46CI Kanzaki K46CI
21	4				9960-0860-12	Skruv	Screw		
22	4				9747-0831-02	Mutter	Lock nut		
23	1				1134-3913-01	Reaktionsstag	Strut		
24	1				9959-0825-16	Skruv	Screw		
25	1				9997-0845-12	Skruv	Screw		
26	1				9699-0090-02	Planbricka	Flat washer		
27	2				9747-0831-02	Mutter	Lock nut		
28	1				9747-0631-02	Låsmutter	Lock nut		
29	1				1134-2765-02	Oljetank	Oil tank		
30	1				1134-2777-02	Tanklock	Filler cap		
31	1				1134-3734-01	Luftningsplugg	Vent plug		
32	1				1134-2778-01	Fästband	Retainer strap		
33	2				9852-8013-16	Skruv	Screw		
34	2				9699-0099-02	Bricka	Washer		
X 35	2				9578-0029-01	Slangklämma	Hose clamp		
36	1				1134-2779-07	Slang	Tube		
40	1				1134-4015-01	Dragstång	Pull rod		L = 140 mm
41	1				1134-4014-01	Plastknopp	Plastic button		
42	1				1134-4713-01	Vinkel	Bracket		
43	1				1134-2790-01	Gummihylsa	Rubber grommet		
44	1				9959-0820-16	Skruv	Screw		
45	1				9739-0831-22	Mutter	Nut		
46	1				9675-0009-02	Starlock	Starlock		
51	1				1134-3289-02	Remstyrning	Belt guide		
52	1				9959-0820-16	Skruv	Screw		
53	1				9699-0056-02	Planbricka	Flat washer		
54	1				9739-0831-22	Mutter	Nut		



Utgåva Issue		Bildnr Picture No		PARK COMPACT 2WD HJUL		PARK COMPACT 2WD WHEELS		Sida Page	
2010- 11		1346E						26	
Pos. Fig.	Antal/Quantity			Art nr Part No	Benämning	Description	Sats Kit	Anmärkning Notes	
	6102 6109 -21	6103 -21							
1	2	2		1134-0075-01	Framaxeltapp	Front axle			
2	2	2		9595-0258-00	Spännstift	Locating pin			
3	2	2		1134-4844-05	Hjulnav kpl.....	Wheel hub assy.....			
3A	1	1		9501-0500-00	• Smörjnippel	• Grease joint.....			
4	1	1		1134-9026-01	• Lagerbussning.....	• Bearing bush kit		Sats 4 st/kit of 4	
5		2		1134-4558-01	Fälg.....	Rim			
5	2			1134-5255-01	Fälg.....	Rim			
6		2		9545-0116-00	Däck	Tyre		16 x 7.50 - 8	
6	2			9545-0126-01	Däck	Tyre		16 x 6.00 - 8	
7	2	2		9545-0500-00	Ventil	Valve			
8	6	6		9731-1031-22	Mutter.....	Nut			
10	8	8		1134-0341-01	Bricka	Washer.....			
11	2	2		9599-0080-02	• Saxsprint	• Cotter pin			
12	2	2		1134-4844-02	Hjulnav	Wheel hub			
13		2		1134-4558-01	Fälg.....	Rim			
13	2			1134-5255-01	Fälg.....	Rim			
14		2		9545-0116-00	Däck	Tyre		16 x 7.50 - 8	
14	2			9545-0126-01	Däck	Tyre		16 x 6.00 - 8	
15	2	2		9545-0500-00	Ventil	Valve			
16	6	6		9731-1031-22	Mutter.....	Nut			
18	2	2		1134-4796-01	Navkapsel	Hub cap.....			
19	2	2		9947-0540-19	Skruv	Screw.....			
20	2	2		1134-2471-01	Kil	Key		L = 58 mm	
21	2	2		9699-0042-02	Planbricka.....	Flat washer.....			
22	2	2		9653-0001-04	Spårryttare	Lock ring			
26	2	2		9699-0042-02	• Planbricka.....	• Flat washer.....			
45	1	1		13-0992-61	Snabbfäste kpl.....	Quick connections.....		Inkl. pos 11,26,46-51	
46	1	1		1134-7465-01	• Fästen kpl, vä+hö.....	• Attachment kit, LH+RH.....		Inkl. pos 50-51	
47	2	2		1137-0077-01	• Låssprint.....	• Locking pin			
48	2	2		9548-0026-01	• Glidlager	• Bearing.....			
50	2	2		9898-1035-16	•• Skruv	•• Screw			
51	2	2		9739-1031-22	•• Mutter	•• Nut			
99				9545-0203-00	Innerslang	Inner tube		Reservdel/spare part	

X



Utgåva Issue		Bildnr Picture No		PARK COMPACT 2WD KRAFTUTTAG		PARK COMPACT 2WD POWER TAKE- OFF		Sida Page	
2010- 11		1030G						28	
Pos. Fig.	Antal/Quantity				Art nr Part No	Benämning	Description	Sats Kit	Anmärkning Notes
	6102	6103	6109	-21					
1	1				1134-5548-01	Distans	Spacer		
2	1				1134-5109-01	Spännhjularm	Tension wheel arm		
3	1				1134-1770-01	Spännrulle	Tension roller		
4	1				1134-1888-04	Distans	Spacer		
5	1				1134-5111-01	Fjäder	Spring		
6	1				9699-0056-02	Planbricka	Flat washer		
7	1				9739-0831-22	Mutter	Nut		
8	1				9997-0855-12	Skruv	Screw		
10	1				1134-1769-03	Centrumremskiva kpl	Centre pulley assy		
11	1				1134-0051-09	• Distans	• Spacer		
12	2				9549-0019-00	• Kullager	• Ball bearing		
13	1				1134-5112-01	Fjäderfäste	Spring attachment		
14	2				9945-0816-16	Skruv	Screw		
15	1				1134-5110-01	Hake	Hook		
16	2				9893-0616-16	Skruv	Screw		
18	1				1134-2018-02	Spännarm	Tension arm		
19	1				1134-9027-02	Spännrulle- grå	Tension roller- grey		
20	1				1134-9071-01	Drivrem	V- belt		= 9585- 0129- 01
21	1				9997-1030-16	Skruv	Screw		
22	1				9799-1031-02	Mutter	Nut		
23	1				1134-4111-01	Bromsarm	Brake arm		
24	1				1134-4164-03	Bromsklots	Brake pad		
25	1				9897-0825-16	Skruv	Screw		
26	1				9747-0831-02	Mutter	Lock nut		
27	1				1134-4162-01	Bromsstång	Brake rod		
28	1				9675-0008-02	Starlock	Locking washer		
29	1				1134-4170-01	Nippel	Nipple		
30	1				9699-0025-02	Planbricka	Washer		
31	1				9747-0631-02	Låsmutter	Lock nut		
32	1				4231-0013-00	Fjäder	Spring		
33	1				1134-4231-01	Dragfjäder	Spring		
34	1				1134-1565-10	Distans	Spacer		
35	1				9997-0860-16	Skruv	Screw		
36	1				9699-0056-02	Planbricka	Flat washer		
37	1				9739-0831-22	Mutter	Nut		
38	1				1134-4163-01	Ansatsskruv	Shoulder bolt		
39	1				9731-1031-22	Mutter	Nut		
40	1				1134-3958-01	Remstyrning	Belt guide		
41	2				9893-0616-16	Skruv	Screw		
42	1				1134-0041-03	Hylsa	Collar		
43	1				9997-1070-12	Skruv	Screw		
44	1				9739-1031-22	Mutter	Nut		
45	1				1134-3654-01	Fingerskydd	Finger guard		
46	2				9959-0612-16	Skruv	Screw		
47	2				9739-0631-22	Mutter	Nut		
48	1				9699-0090-02	Planbricka	Flat washer		
49	2				9699-0035-02	Planbricka	Flat washer		