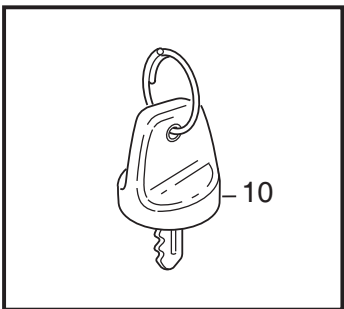
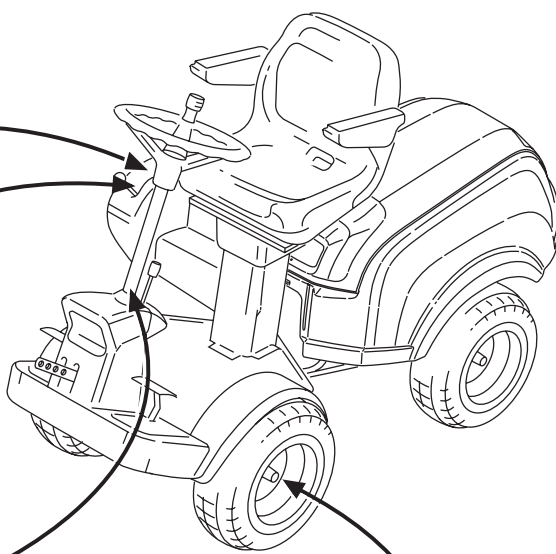
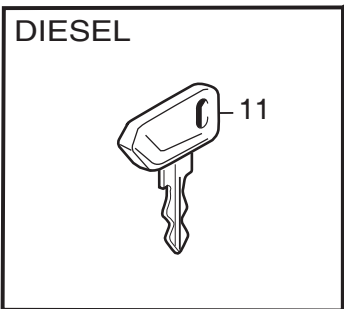


Genuine Spare Parts

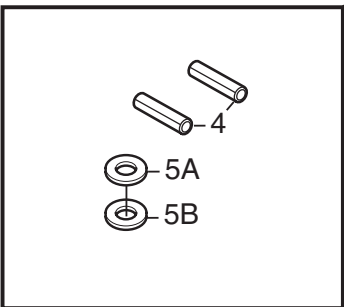




10



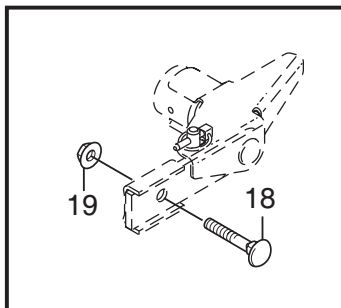
11



4

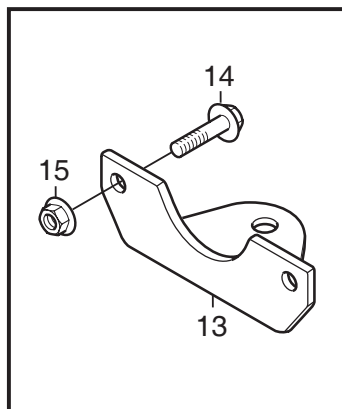
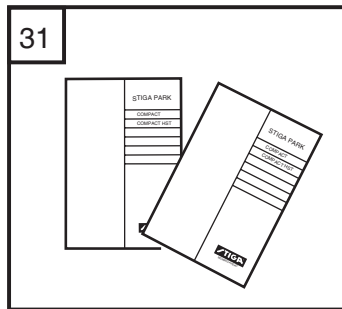
5A

5B



19

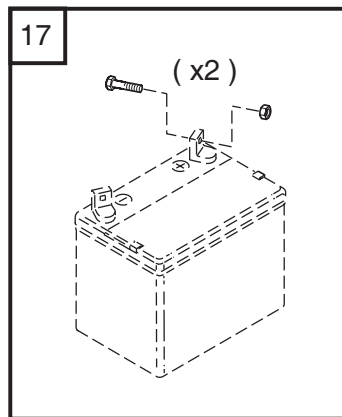
18



14

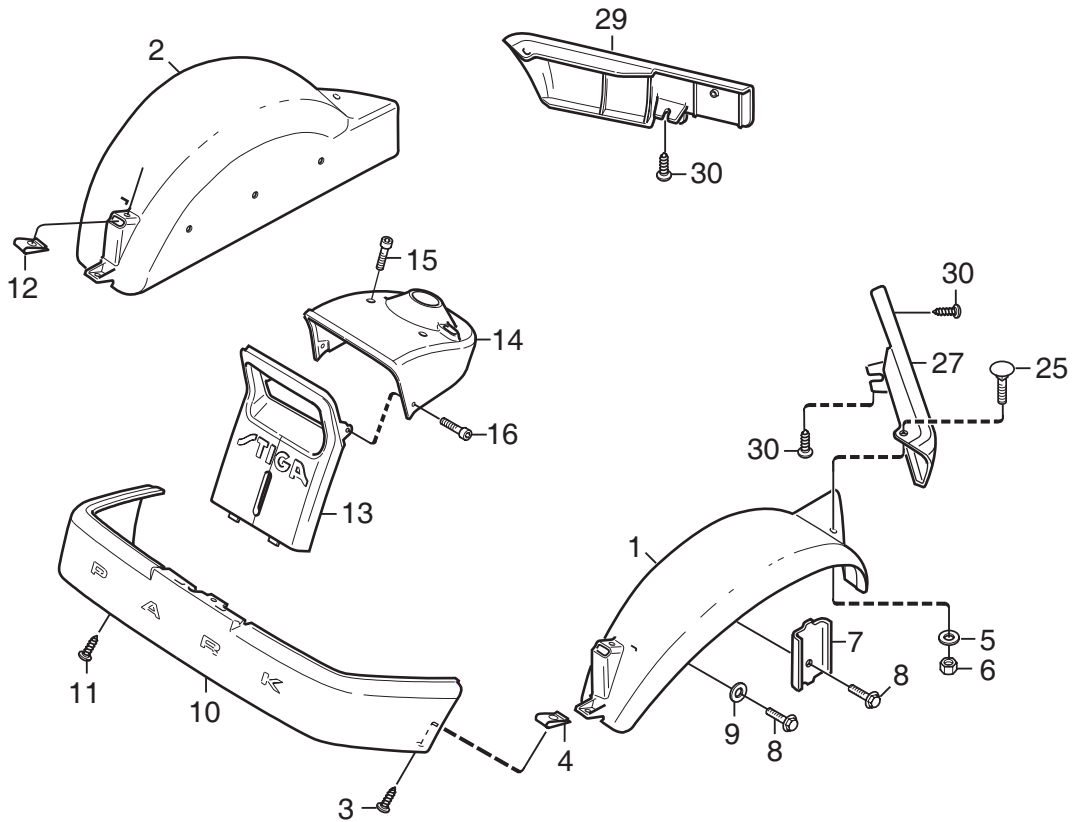
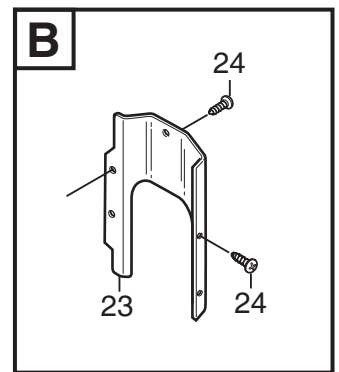
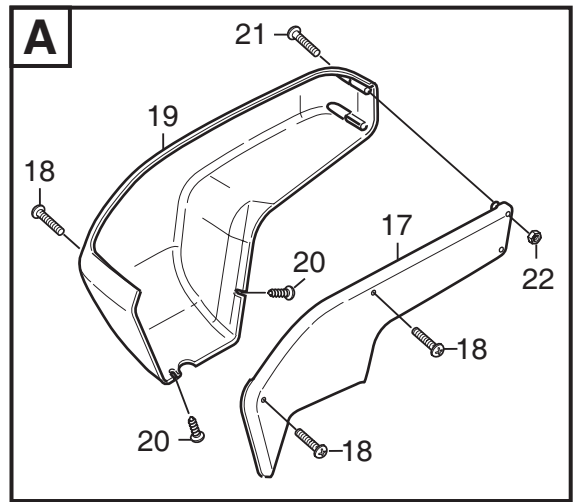
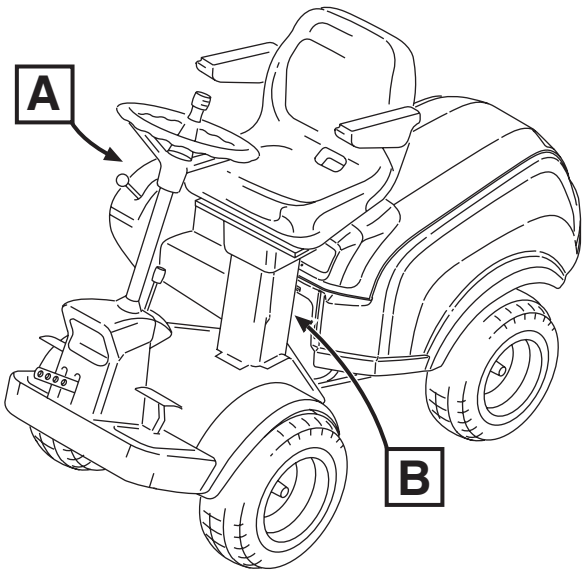
15

13

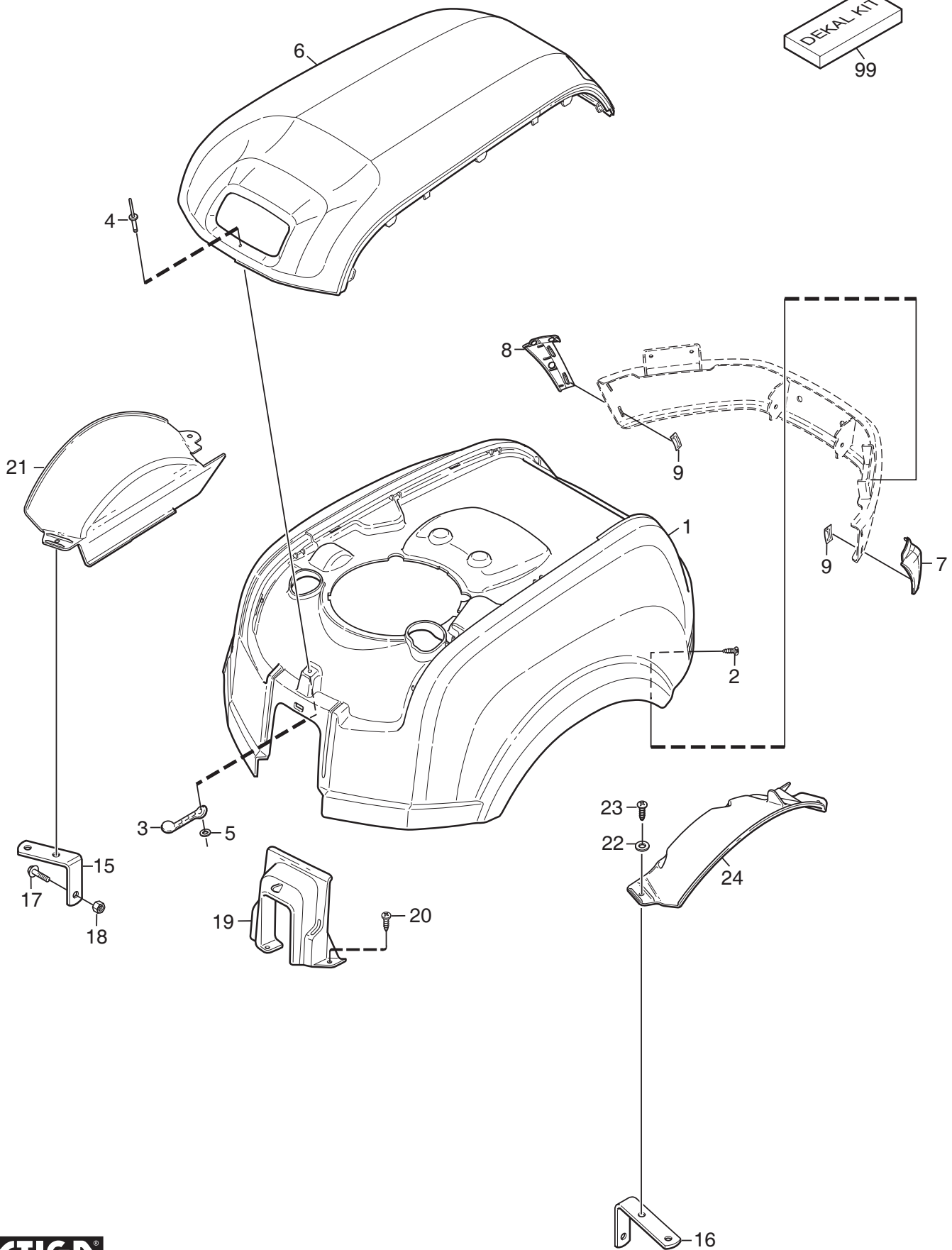
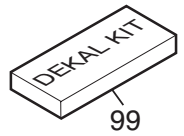


(x2)

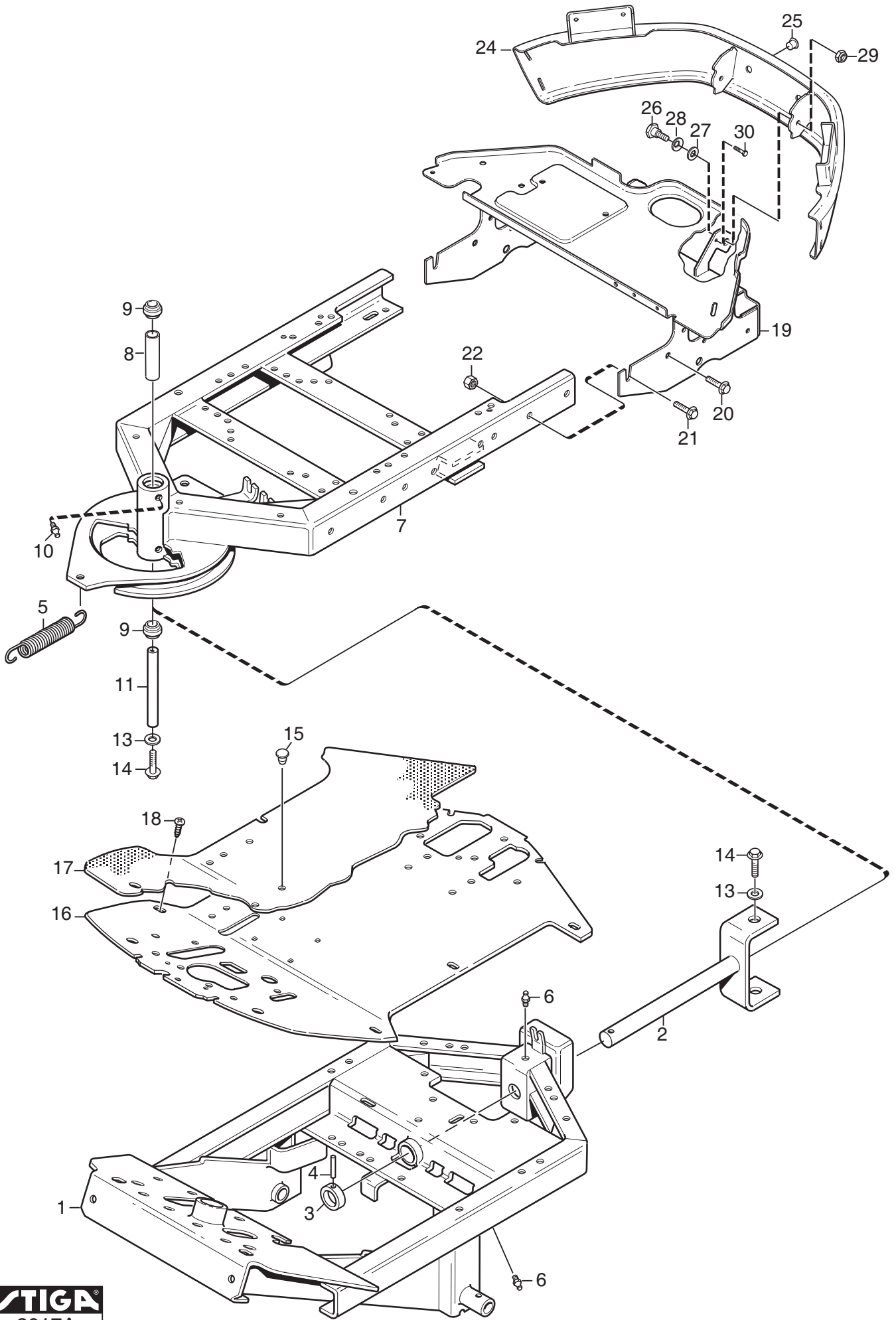
Utgåva Issue		Bildnr Picture No		PARK 2WD MONTERINGSDETALJER		PARK 2WD ASSEMBLY PARTS		Sida Page	
2010-11		2014C						62	
Pos. Fig.	Antal/Quantity			Art nr Part No	Benämning	Description	Sats Kit	Anmärkning Notes	
	6179 6184	6180							
4	2	2		9595-0262-00	Spännstift	Locating pin			
5A	1	1		9699-0103-02	Shims	Flat washer		0.5 mm	
5B	1	1		9699-0114-02	Shims	Flat washer		1.0 mm	
10	2			1134-4734-01	Tändningsnyckel	Ignition key			
11		2		1134-4909-01	Tändningsnyckel	Ignition key			
13	1	1		1134-5512-01	Dragplåt	Towing plate			
14	2	2		9959-0820-16	Skruv	Screw			
15	2	2		9739-0831-22	Mutter	Nut			
17	1	1		1134-6113-02	Batteriskruvar	Battery screws			
18	2	2		9898-1035-16	Skruv	Screw			
19	2	2		9739-1031-22	Mutter	Nut			
31	1			8211-0003-92	Bruksanvisning	Owner's manual			
31		1		8211-0007-90	Bruksanvisning	Owner's manual			
31	1	1		8211-0604-90	Monteringsanvisning	Assy instructions			
31	1	1		8211-0701-91	Säkerhetsföreskrifter	Safety regulations			
31	1			8211-0901-90	Servicebok	Service book			
31		1		8211-0902-90	Servicebok	Service book			
31	1	1		8211-0960-90	Garantikort	Warranty card			



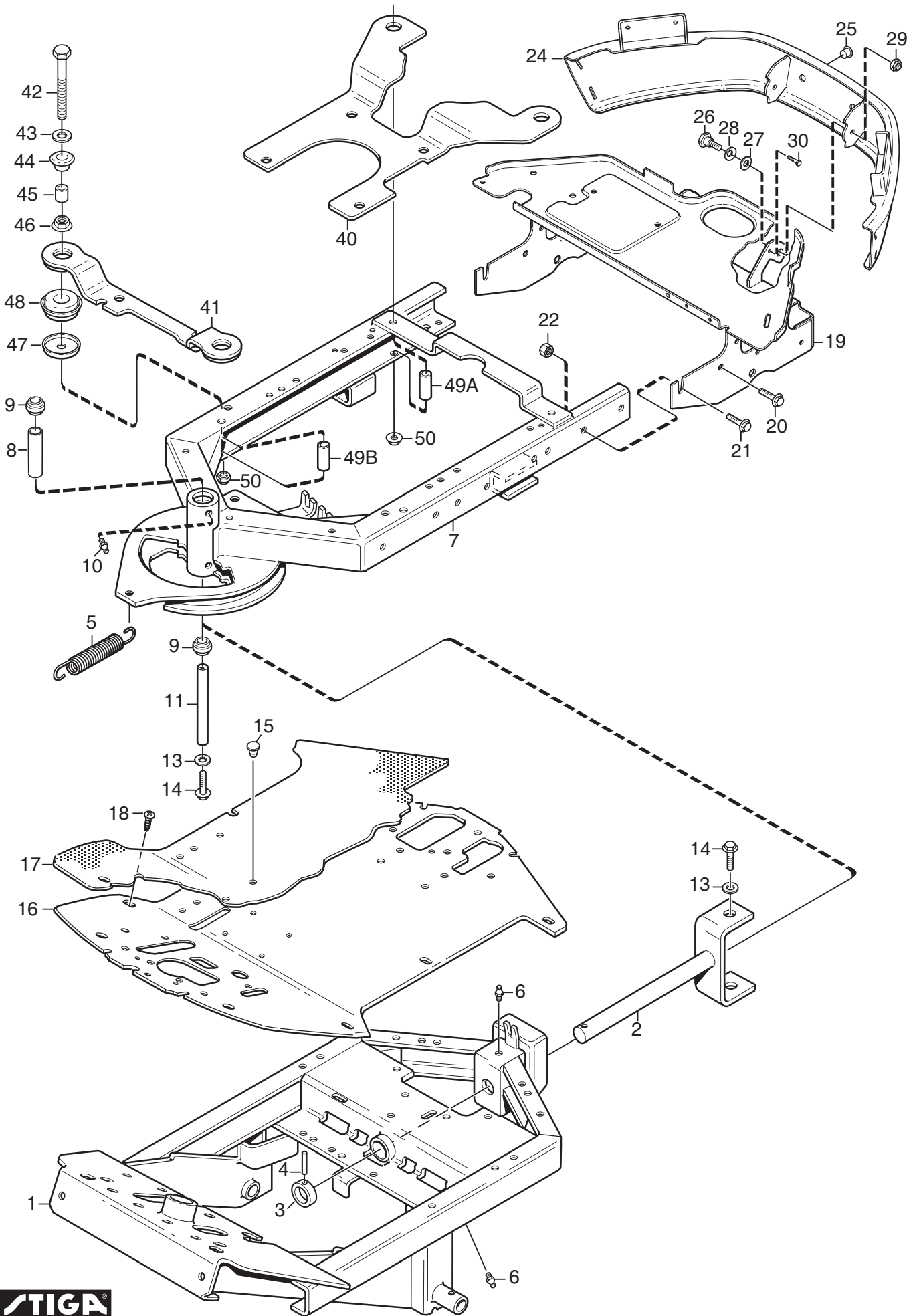
Utgåva Issue		Bildnr Picture No		PARK 2WD KAROSS-FRAM		PARK 2WD BODY WORK- FRONT		Sida Page	
2010- 11		2015B						64	
Pos. Fig.	Antal/Quantity				Art nr Part No	Benämning	Description	Sats Kit	Anmärkning Notes
	6179	6184	6180						
X	1	1			1134-3943-01	Skärm- vä, gul	Mud guard- LH, yell.....		
	2	1			1134-3943-02	Skärm- hö, gul	Mud guard- RH, yell.		
	3	2			9893-0616-16	Skruv	Screw		
	4	4			1134-4176-01	Clips	Clips		
	5	2			9699-0060-02	Planbricka.....	Flat washer.....		
	6	2			9747-0631-02	Låsmutter	Lock nut		
	7	2			1137-0088-01	Stödplåt	Support plate		
	8	6			9945-0816-16	Skruv	Screw		
	9	4			9699-0056-02	Planbricka.....	Flat washer.....		
	10	1			1134-4220-02	Stötfångare- grå.....	Bumper- grey		
	11	6			9893-0616-16	Skruv	Screw		
	12	2			1134-4176-01	Clips	Clips		
	13	1			1134-4216-05	Frontdekor- gul	Front plate- yellow.....		
	14	1			1134-3984-03	Frontdekor övre- gul	Front plate upper- yel		
	15	2			9946-0525-16	Skruv	Screw		
	16	2			9840-8013-16	Skruv	Screw		
	17	1			1134-4360-01	Kåpa- inre	Cover- inner		
	18	3			9946-0525-16	Skruv	Screw		
	19	1			1134-3979-01	Kåpa- yttre	Cover- outer		
	20	2			9840-8013-16	Skruv	Screw		
	21	2			9950-0570-12	Skruv	Screw		
	22	2			9747-0531-02	Mutter.....	Nut		
	23	1			1134-6461-01	Bakstycke	Rear plate.....		
	24	4			9893-0616-16	Skruv	Screw		
	25	2			9897-0616-16	Vagnsbult	Carriage bolt		
	27	1			1134-3970-05	Kantlist- vä, grå.....	Moulding- LH, grey		
	29	1			1134-3970-02	Kantlist- hö, grå	Moulding- RH, grey		
	30	4			9893-0616-16	Skruv	Screw		



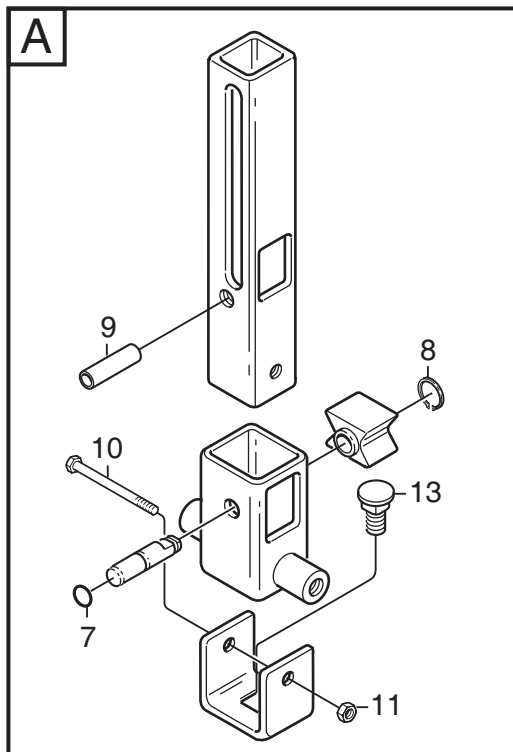
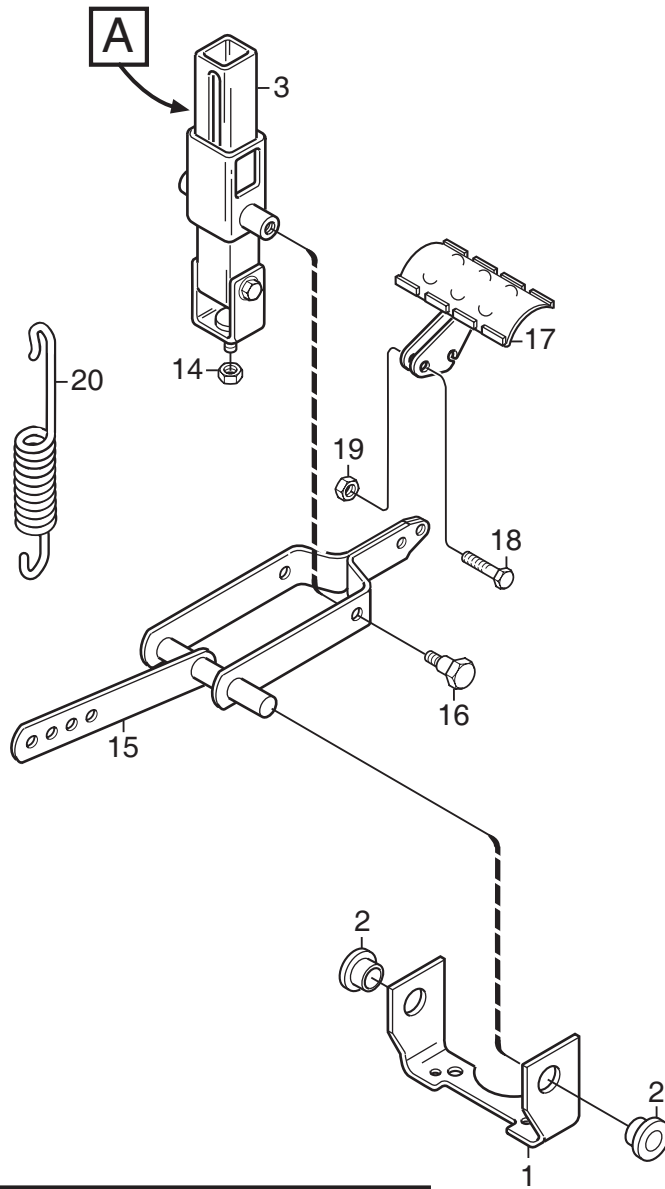
Utgåva Issue 2010-11		Bildnr Picture No 2016B		PARK 2WD KAROSS- BAK		PARK 2WD BODY WORK- REAR		Sida Page 66	
Pos. Fig.	Antal/Quantity			Art nr Part No	Benämning	Description	Sats Kit	Anmärkning Notes	
	6184	6179	6180						
1	1	1	1	1134-6025-01	Motorhuv.....	Engine hood.....			
2	4	4	4	9893-0616-16	Skruv.....	Screw.....			
3	1	1	1	1134-9028-01	Gummistropp- sats.....	Rubber strap kit.....		Sats 3 st/kit of 3	
4	1	1	1	9632-0513-00	Popnit.....	Pop rivet.....			
5	1	1	1	9699-0120-02	Bricka.....	Washer.....			
6	1	1	1	1134-6026-01	Motorlucka.....	Engine cover.....			
7	1	1	1	1134-6027-01	Ändavslut- vä.....	Bumper end- LH.....			
8	1	1	1	1134-6027-02	Ändavslut- hö.....	Bumper end- RH.....			
9	4	4	4	1134-6310-01	Clips.....	Clips.....			
15		1	1	1134-4012-03	Stödkonsol- hö.....	Support- RH.....			
16		1	1	1134-4012-04	Stödkonsol- vä.....	Support- LH.....			
17		1	1	9959-0820-16	Skruv.....	Screw.....			
18		1	1	9739-0831-22	Mutter.....	Nut.....			
19	1	1	1	1134-6241-01	Huvstöd.....	Hood support.....			
20	3	3	3	9893-0616-16	Skruv.....	Screw.....			
21		1	1	1134-4800-01	Innerskärm- hö.....	Inner mud guard- RH.....			
22		4	4	9699-0060-02	Planbricka.....	Flat washer.....			
23		4	4	9893-0616-16	Skruv.....	Screw.....			
24		1	1	1134-4801-01	Innerskärm- vä.....	Inner mud guard- LH.....			
99			1	1134-4593-08	Dekalsats.....	Decal kit.....		Diesel	
99	1			1134-6443-03	Dekalsats.....	Decal kit.....		President	
99		1		1134-6443-09	Dekalsats.....	Decal kit.....		Ranger	



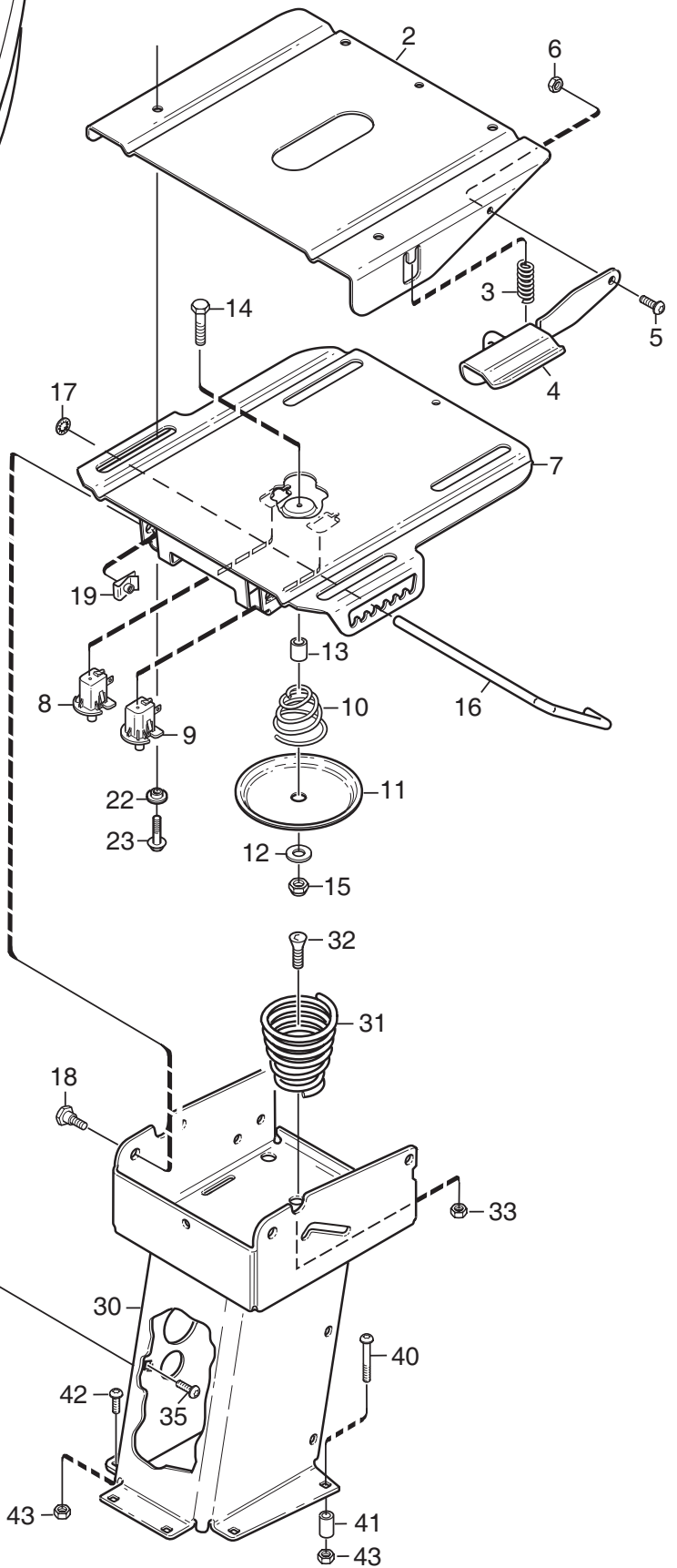
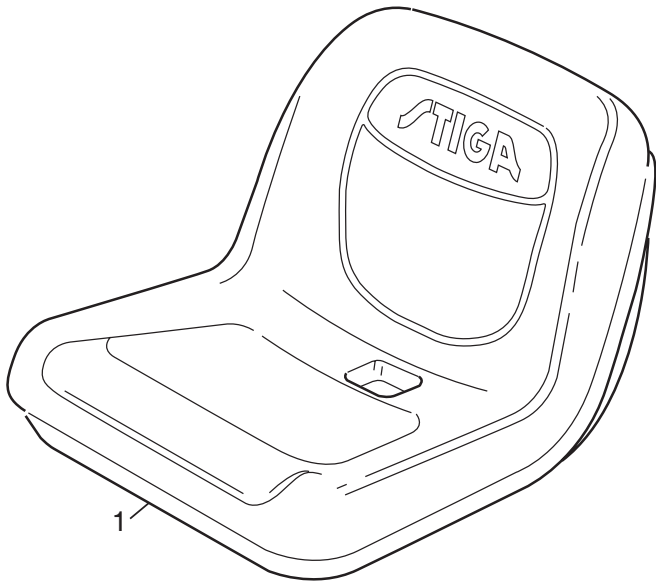
Utgåva Issue 2010- 11		Bildnr Picture No 2017A		PARK 2WD BENSIN RAM		PARK 2WD PETROL FRAME		Sida Page 68	
Pos. Fig.	Antal/Quantity				Art nr Part No	Benämning	Description	Sats Kit	Anmärkning Notes
	6179 6184								
1	1				1134-5315-03 Ram- främre	Frame- front			
2	1				1134-3963-02 • Midjegaffel	• Clevis			
3	1				1134-0031-00 • Ledaxelstopp	• Pivot shaft stop			
4	1				9595-0262-00 • Spännstift	• Locating pin			
5	1				1134-2171-01 Fjäder.....	Spring			
6	2				9501-0500-00 Smörjnippel	Grease joint.....			
7	1				1134-6466-01 Ram- bakre	Frame- rear.....			
8	1				1134-5705-01 • Distans	• Spacer.....			
9	2				9547-0001-00 • Ledlager.....	• Bearing.....			
10	2				9501-0500-00 • Smörjnippel	• Grease joint.....			
11	1				1134-5988-01 Centrumaxel	Centre shaft.....			
13	2				9699-0035-02 Planbricka.....	Flat washer.....			
14	2				9959-1025-16 Skruv.....	Screw.....			
15	2				9403-0048-70 Täckpropp	Plug			
16	1				1134-5294-01 Durk.....	Floor plate			
17	1				1134-6372-04 Durkmatta.....	Floor mat.....			
18	2				9893-0616-16 Skruv	Screw			
19	1				1134-5944-01 Tankhylla.....	Tank shelf.....			
20	2				9945-0816-16 Skruv	Screw			
21	2				9959-0820-16 Skruv	Screw			
22	2				9739-0831-22 Mutter.....	Nut			
24	1				1134-5676-01 Stötfångare.....	Bumper			
25	2				1134-4100-01 Täckpropp	Plug			
26	2				1134-0240-00 Ansatsskruv.....	Shoulder screw			
27	2				1134-4242-01 Distansbricka.....	Spacer washer			
28	2				9665-0002-00 Brickfjäder	Bowed washer.....			
29	2				9747-0831-02 Mutter.....	Lock nut.....			
30	2				9943-0516-16 Skruv.....	Screw.....			



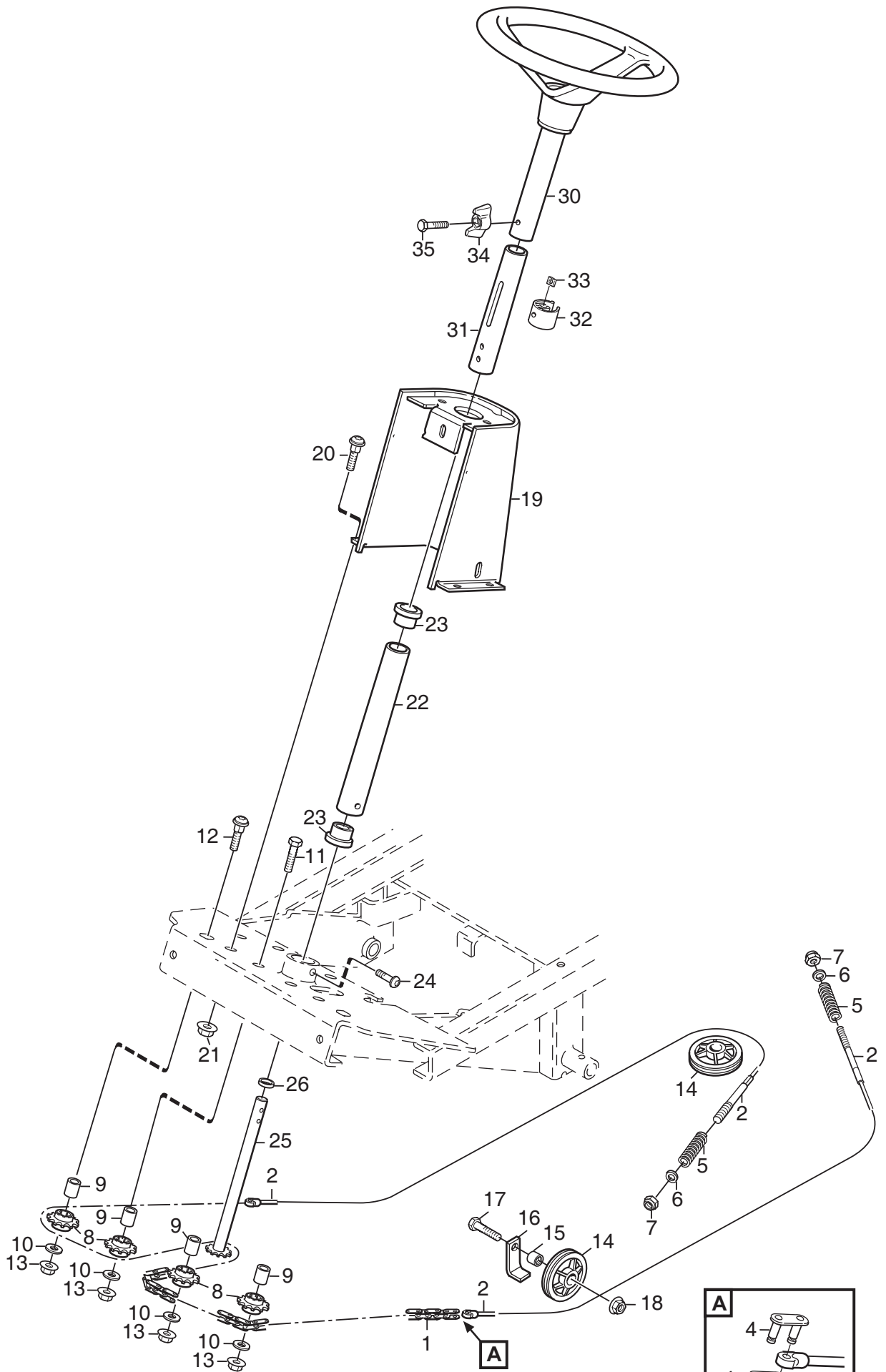
Utgåva Issue 2010- 11		Bildnr Picture No 2018B		PARK 2WD DIESEL RAM		PARK 2WD DIESEL FRAME		Sida Page 70	
Pos. Fig.	Antal/Quantity				Art nr Part No	Benämning	Description	Sats Kit	Anmärkning Notes
	6180								
1	1				1134-5315-03	Ram- främre	Frame- front		
2	1				1134-3963-02	• Midjegaffel	• Clevis		
3	1				1134-0031-00	• Ledaxelstopp	• Pivot shaft stop		
4	1				9595-0262-00	• Spännstift	• Locating pin		
5	1				1134-2171-01	Fjäder.....	Spring		
6	2				9501-0500-00	Smörjnippel	Grease joint.....		
7	1				1134-6046-01	Ram- bakre	Frame- rear.....		
8	1				1134-5705-01	• Distans	• Spacer		
9	2				9547-0001-00	• Ledlager.....	• Bearing.....		
10	2				9501-0500-00	• Smörjnippel	• Grease joint		
11	1				1134-5988-01	Centrumaxel	Centre shaft.....		
13	2				9699-0035-02	Planbricka.....	Flat washer.....		
14	2				9959-1025-16	Skruv.....	Screw.....		
15	2				9403-0048-70	Täckpropp	Plug		
16	1				1134-5294-01	Durk.....	Floor plate		
17	1				1134-6372-04	Durkmatta.....	Floor mat.....		
18	2				9893-0616-16	Skruv.....	Screw.....		
19	1				1134-5944-01	Tankhylla.....	Tank shelf.....		
20	2				9945-0816-16	Skruv.....	Screw.....		
21	2				9959-0820-16	Skruv.....	Screw.....		
22	2				9739-0831-22	Mutter.....	Nut		
24	1				1134-5676-01	Stötfångare.....	Bumper		
25	2				1134-4100-01	Täckpropp	Plug		
26	2				1134-0240-00	Ansatsskruv.....	Shoulder screw		
27	2				1134-4242-01	Distansbricka.....	Spacer washer		
28	2				9665-0002-00	Brickfjäder	Bowed washer.....		
29	2				9747-0831-02	Mutter.....	Lock nut.....		
30	2				9943-0516-16	Skruv.....	Screw.....		
40	1				1134-6037-01	Motorstag.....	Engine support.....		
41	1				1134-4918-01	Motorstag- fram.....	Engine support- front		
42	4				9997-1011-06	Skruv.....	Screw.....		
43	4				9699-0030-02	Planbricka.....	Flat washer.....		
44	4				1111-2453-01	Isolering	Grommet.....		
45	4				1134-4919-01	Distans	Spacer		
46	4				9739-1031-22	Mutter.....	Nut		
47	4				1134-4915-01	Stödkopp	Support cup		
48	4				1134-4920-01	Dämpement	Vibration absorber		
49A	2				1134-0041-03	Hylsa	Collar		L = 55 mm
49B	2				1134-6887-01	Hylsa	Collar		L = 51,2 mm
50	4				9731-1031-22	Mutter.....	Nut.....		



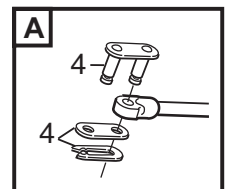
Utgåva Issue		Bildnr Picture No		PARK 2WD PEDALLYFT		PARK 2WD PEDAL LIFT		Sida Page	
2010- 11		1023D						72	
Pos. Fig.	Antal/Quantity				Art nr Part No	Benämning	Description	Sats Kit	Anmärkning Notes
	6179	6184	6180						
1	1				1134-4117-01 Fäste	Bracket			
2	2				1134-2684-01 Lager	Bearing			
3	1				1134-4945-01 Lyftspärr kpl	Lift catch assy			
7	1				9404-0027-01 • O- ring	• O- ring			
8	1				9650-0039-04 • Seegersäkring	• Lock ring			
9	1				9595-0276-01 • Spännstift	• Locating pin			
10	1				9997-0640-12 • Skruv	• Screw			
11	1				9747-0631-02 • Låsmutter	• Lock nut			
13	1				9897-0820-16 • Skruv	• Screw			
14	1				9747-0831-02 Mutter	Lock nut			
15	1				1134-4860-01 Lyftgaffel	Lift fork			
16	2				1134-0240-00 Ansatsskruv	Shoulder screw			
17	1				1134-4938-01 Lyftpedal	Lift pedal			
18	2				9997-0625-16 Skruv	Screw			
19	2				9739-0631-22 Mutter	Nut			
20	1				4231-0013-00 Fjäder	Spring			



Utgåva Issue		Bildnr Picture No		PARK 2WD SITS		PARK 2WD SEAT		Sida Page	
2010- 11		2019A						74	
Pos. Fig.	Antal/Quantity			Art nr Part No	Benämning	Description	Sats Kit	Anmärkning Notes	
	6179 6184	6180							
1	1	1		1134-6444-01	Sits	Seat			
2	1	1		1134-6090-01	Glidplatta	Slide plate			
3	1	1		1134-3262-01	Tryckfjäder	Compression spring			
4	1	1		1134-6073-01	Handtag	Handle			
5	1	1		9893-0616-16	Skruv	Screw			
6	1	1		9747-0631-02	Låsmutter	Lock nut			
7	1	1		1134-6068-01	Glidplatta- undre	Slide plate-lower			
8	1	2		1134-3156-01	Brytare (svart)	Switch (black)			
9	1			1134-3156-02	Brytare (grå)	Switch (grey)			
10	1	1		1134-5302-01	Fjäder	Spring			
11	1	1		1134-5299-01	Tryckplatta	Push plate			
12	1	1		9699-0090-02	Planbricka	Flat washer			
13	1	1		1134-1565-06	Distans	Spacer			
14	1	1		9997-0840-16	Skruv	Screw			
15	1	1		9747-0831-02	Mutter	Lock nut			
16	1	1		1134-5179-01	Spärr	Catch			
17	1	1		9675-0012-02	Starlock	Locking washer			
18	2	2		1134-0240-00	Ansatsskruv	Shoulder screw			
19	2	2		1134-4620-02	Fjädermutter	Spring nut			
22	4	4		1134-6078-01	Ansatsbricka	Flange washer			
23	4	4		9959-0820-16	Skruv	Screw			
30	1	1		1134-5698-01	Sitskonsol	Seat bracket			
31	1	1		1134-4256-01	Sitsfjäder	Seat spring			
32	1	1		9924-1235-19	Skruv	Screw			
33	1	1		9747-1231-02	Låsmutter	Lock nut			
34	1	1		1134-3990-01	Armsvep	Attachment-side panel			
35	2	2		9897-0820-16	Skruv	Screw			
36	2	2		9739-0831-22	Mutter	Nut			
37	1	1		1134-4130-01	Lock- undre	Cover-lower			
38	4	4		9840-8013-16	Skruv	Screw			
40	2	2		9897-0880-12	Skruv	Screw			
41	2	2		1134-1565-08	Distans	Spacer			
42	4	4		9897-0820-16	Skruv	Screw			
43	6	6		9747-0831-02	Mutter	Lock nut			



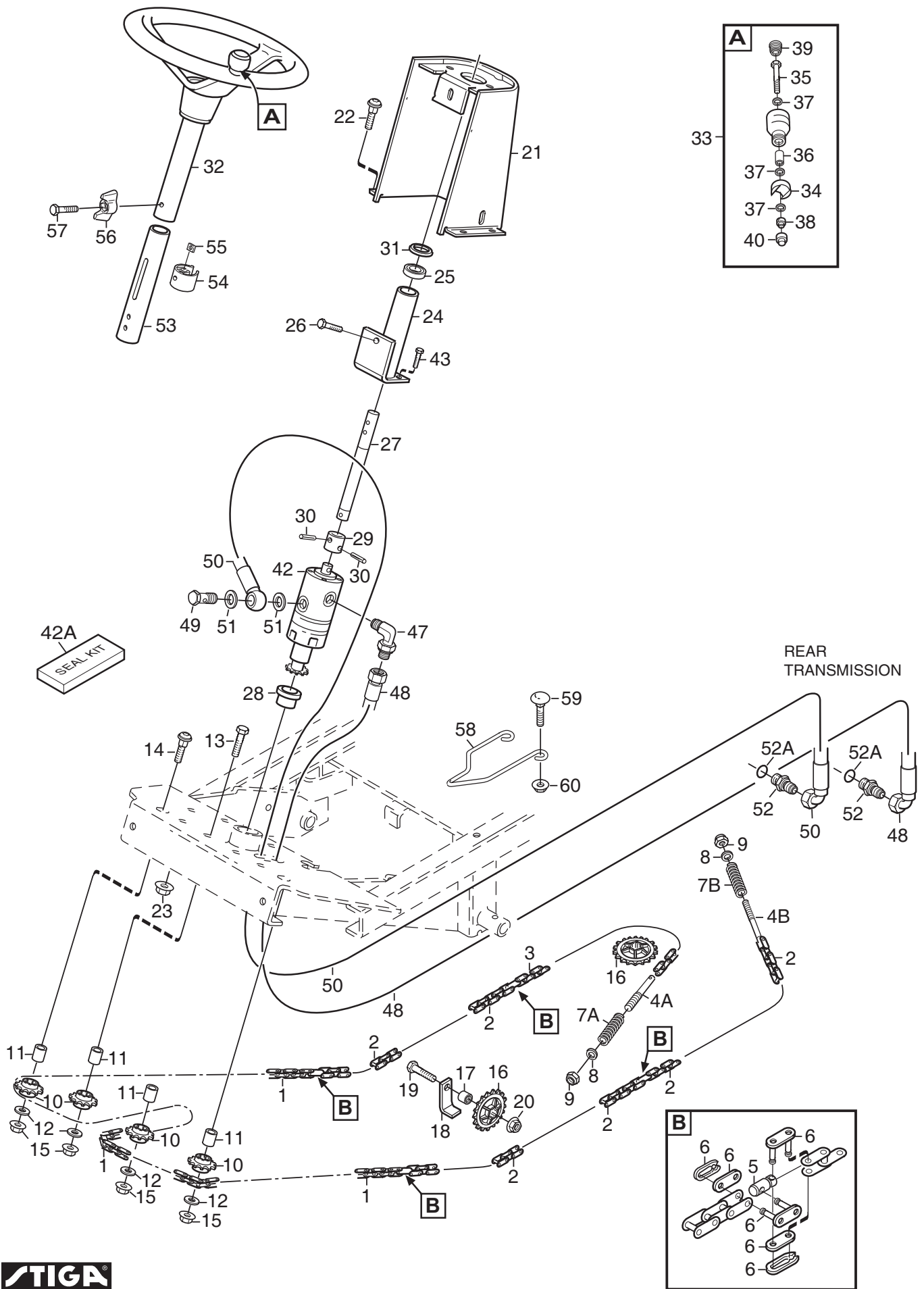
STIGA
 2406A
 SPARE PARTS



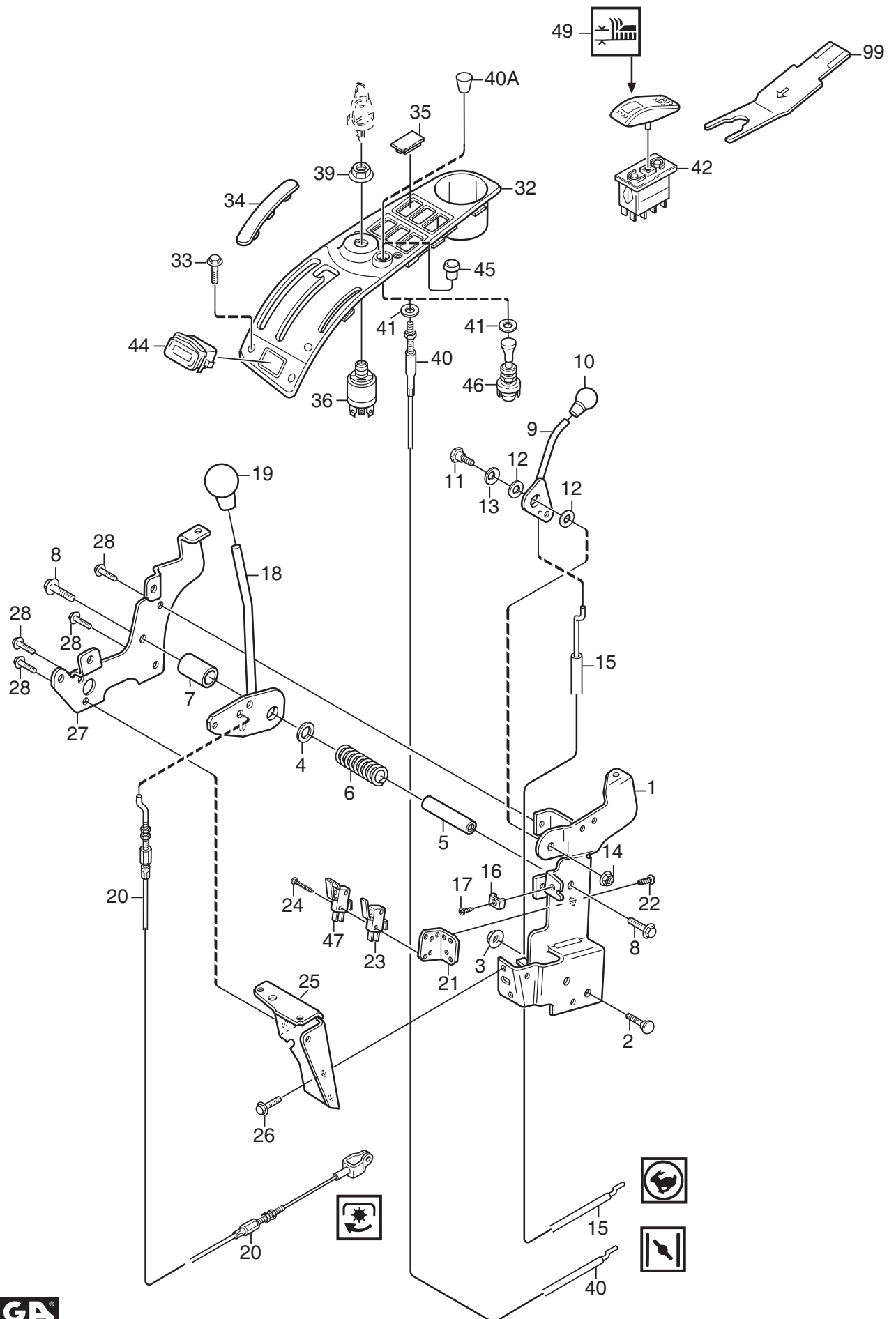
Utgåva Issue 2010-11		Bildnr Picture No 1787C		PARK 2WD DIESEL STYRNING		PARK 2WD DIESEL STEERING		Sida Page 78	
Pos. Fig.	Antal/Quantity				Art nr Part No	Benämning	Description	Sats Kit	Anmärkning Notes
	6180								
1	1			1134-6374-10	Kedja	Chain		129 länk	
2	2			1134-6374-09	Kedja	Chain		35 länk	
3	1			1134-6374-02	Kedja	Chain		41 länk	
4	1			1134-6374-05	Kedja	Chain		47 länk	
5A	1			1134-3550-01	Ändnippel	End nipple		L = 110 mm	
5B	1			1134-3550-02	Ändnippel	End nipple		L = 90 mm	
6	4			1134-3565-01	Skarvnippel	Connection nipple			
7	12			1134-2824-02	Kedjelås	Chain lock			
8	2			1134-5652-01	Fäste	Attachment			
9	4			1134-5651-01	Bygel	Bracket			
10	2			1134-2816-01	Kedjehjul	Sprocket			
11	2			1134-0041-02	Linhjulshylsa	Idler wheel bush			
12	2			1134-4817-01	Kolvstängssprint	Pin			
13	2			9699-0035-02	Planbricka	Flat washer			
14	2			9599-0054-02	Saxpinne	Cotter pin			
15A	1			1134-3817-01	Tryckfjäder	Compression spring		L = 58 mm	
15B	1			1134-3817-02	Tryckfjäder	Compression spring		L = 33 mm	
16	2			9699-0090-02	Planbricka	Flat washer			
17	2			9747-0831-02	Mutter	Lock nut			
18	4			1134-2816-01	Kedjehjul	Sprocket			
19	4			1134-5653-01	Distans	Spacer			
20	2			9699-0035-02	Planbricka	Flat washer			
21	2			9997-1060-12	Skruv	Screw			
22	2			9739-1031-22	Mutter	Nut			
23	2			9897-1060-12	Skruv	Screw			
24	2			9731-1031-22	Mutter	Nut			
25	3			1134-3547-01	Kedjehjul	Sprocket			
26	2			1134-0041-01	Linhjulshylsa	Bushing			
27	2			1134-0046-00	Linhållare	Wire clamp			
28	2			9997-1040-16	Skruv	Screw			
29	2			9699-0035-02	Planbricka	Flat washer			
30	2			9739-1031-22	Mutter	Nut			
31	1			1134-4120-04	Styrkonsol	Steering console			
32	4			9897-0820-16	Skruv	Screw			
33	4			9739-0831-22	Mutter	Nut			
34	1			1134-1305-03	Rattrör- nedre	Steering column- lower			
35	2			1134-1901-01	Lager	Bearing			
36	1			1137-0120-02	Rattstång	Steering rod			
41	2			9893-0616-16	Skruv	Screw			
42	1			1134-2837-03	Distans	Spacer			
52	1			1134-5173-02	Ratt kpl	Steering wheel assy			
53	1			1134-3769-01	• Styrknopp kpl	• Steering wheel button			
54	1			1134-3752-01	• Knoppfäste	• Knob holder			
55	1			9997-0870-16	• Skruv	• Screw			
56	1			1134-1565-06	• Distans	• Spacer			
57	3			9699-0090-02	• Planbricka	• Flat washer			
58	1			9747-0831-02	• Mutter	• Lock nut			
59	1			9403-0043-70	• Plugg	• Plug			
60	1			9403-0113-00	• Mutterhatt	• Nut cap			
63	1			1137-0070-01	Rattrör- inre kpl	Steering tube- inner			
64	1			1134-5177-01	• Slid	• Slide			
65	1			9710-0631-12	• Fyrkantmutter	• Square nut			
66	1			1134-4481-02	Vingmutter	Wing nut			
67	1			9997-0630-12	Skruv	Screw			

X

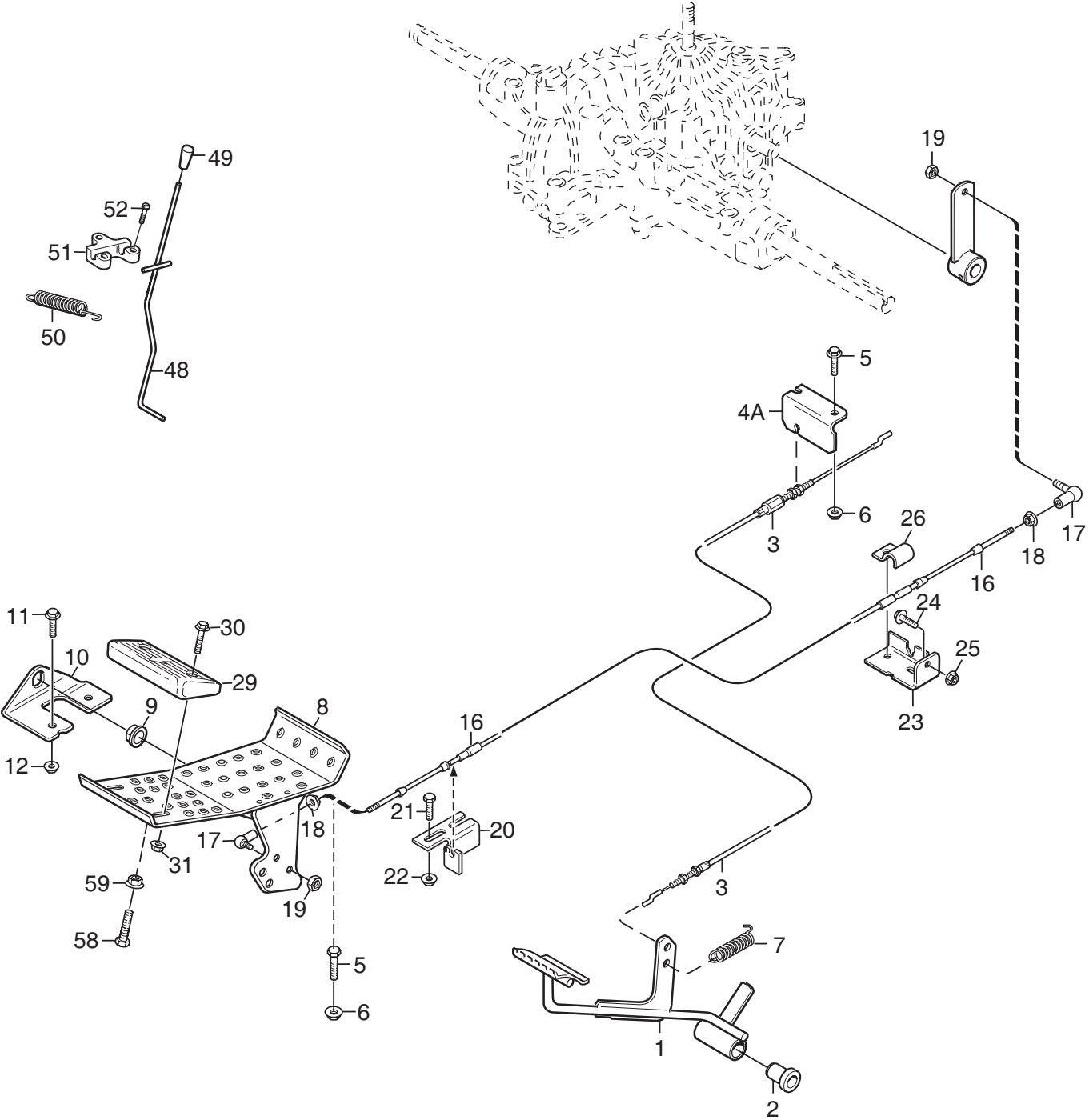
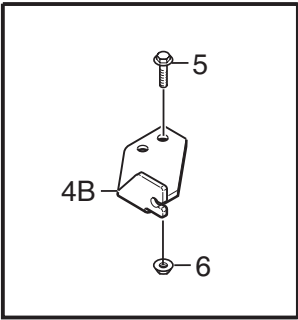
X

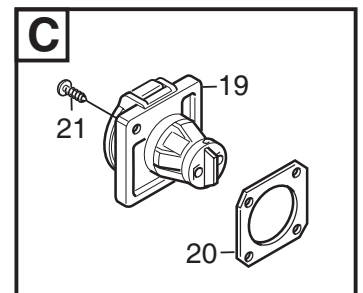
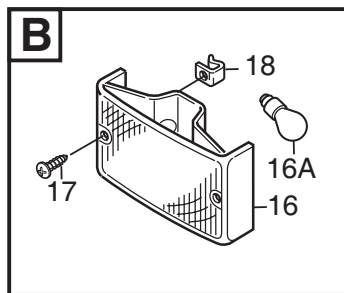
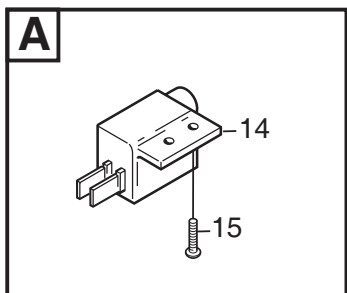
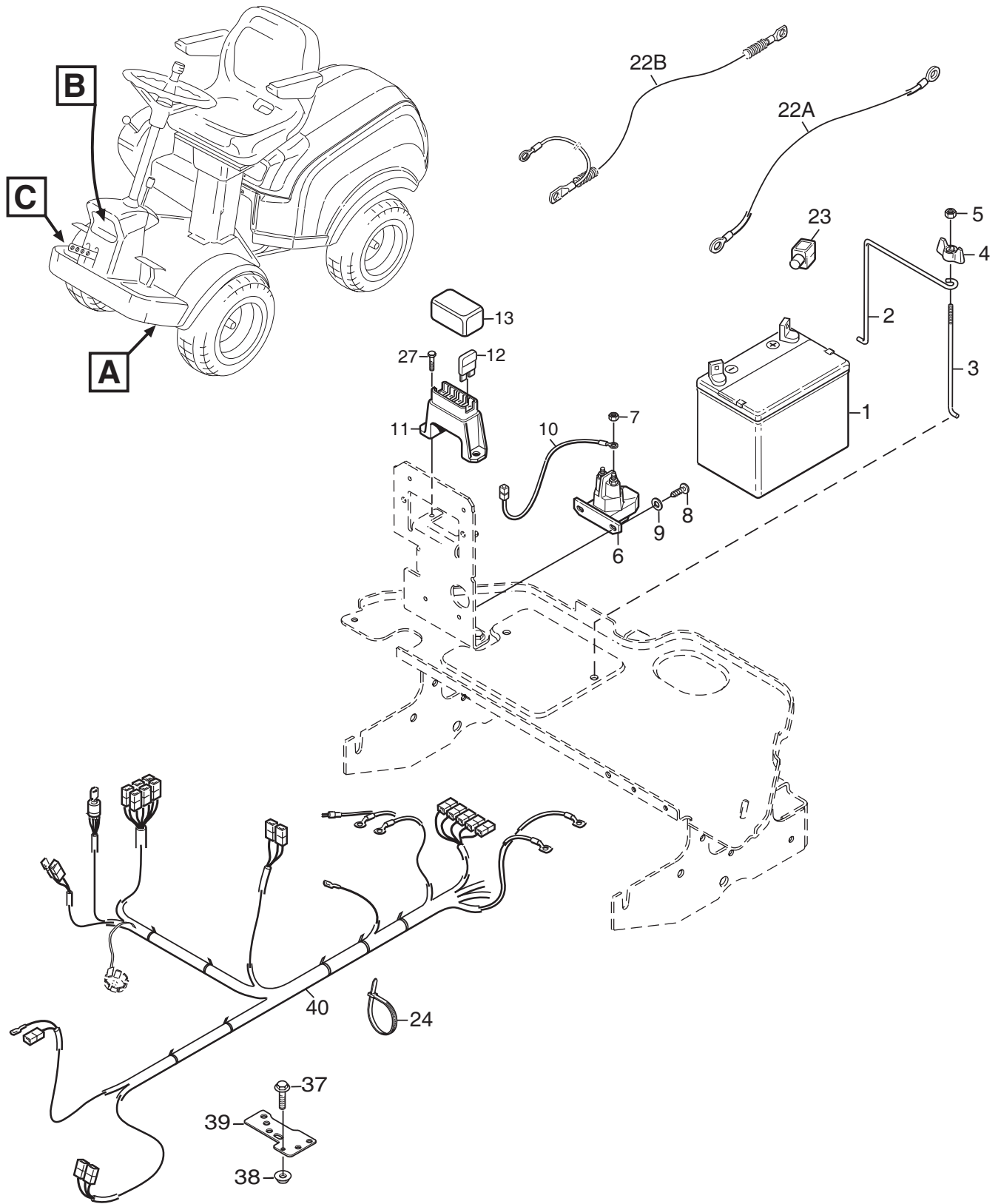


Utgåva Issue 2010- 11		Bildnr Picture No 2408B		PARK 2WD RANGER STYRNING		PARK 2WD RANGER STEERING		Sida Page 80	
Pos. Fig.	Antal/Quantity				Art nr Part No	Benämning	Description	Sats Kit	Anmärkning Notes
	6179								
1	1				1134-6374-06	Kedja	Chain		83 länk
2	3				1134-6374-02	Kedja	Chain		41 länk
3	1				1134-6374-04	Kedja	Chain		45 länk
4A	1				1134-3550-01	Ändnippel	End nipple		L = 110 mm
4B	1				1134-3550-02	Ändnippel	End nipple		L = 90 mm
5	4				1134-3565-01	Skarvnippel.....	Connection nipple		
6	10				1134-2824-02	Kedjelås	Chain lock		
7A	1				1134-3817-01	Tryckfjäder.....	Compression spring.....		L = 58 mm
7B	1				1134-3817-02	Tryckfjäder.....	Compression spring.....		L = 33 mm
8	2				9699-0090-02	Planbricka.....	Flat washer.....		
9	2				9747-0831-02	Mutter.....	Lock nut.....		
10	4				1134-2816-01	Kedjehjul.....	Sprocket.....		
11	4				1134-0041-02	Linhjulshylsa	Idler wheel bush.....		
12	4				9699-0035-02	Planbricka.....	Flat washer.....		
13	2				9997-1050-16	Skruv.....	Screw.....		
14	2				9897-1040-12	Skruv.....	Screw.....		
15	4				9739-1031-22	Mutter.....	Nut.....		
16	3				1134-3547-01	Kedjehjul.....	Sprocket.....		
17	2				1134-0041-01	Linhjulshylsa	Bushing.....		
18	2				1134-0046-00	Linhållare.....	Wire clamp.....		
19	2				9997-1030-16	Skruv.....	Screw.....		
20	2				9739-1031-22	Mutter.....	Nut.....		
21	1				1134-4120-04	Styrkonsol	Steering console		
22	4				9897-0820-16	Skruv.....	Screw.....		
23	4				9739-0831-22	Mutter.....	Nut.....		
24	1				1134-4113-02	Ratt rör- nedre	Steering tube- lower		
25	1				9549-0017-00	Kullager	Ball bearing		
26	1				9945-0816-16	Skruv.....	Screw.....		
X 27	1				1137-0045-01	Rattstång	Steering rod		
28	1				1134-4114-01	Bussning	Bushing.....		
29	1				1134-4118-01	Koppling	Coupling.....		
30	2				9595-0256-01	Spännstift	Pin		
31	1				9695-0011-00	Bricka	Washer.....		
32	1				1134-5173-02	Ratt kpl.....	Steering wheel assy		
33	1				1134-3769-01	• Styrknopp kpl	• Steering wheel button		
34	1				1134-3752-01	•• Knoppfäste.....	•• Knob holder.....		
35	1				9997-0870-16	•• Skruv.....	•• Screw.....		
36	1				1134-1565-06	•• Distans.....	•• Spacer.....		
37	3				9699-0090-02	•• Planbricka	•• Flat washer		
38	1				9747-0831-02	•• Mutter.....	•• Lock nut.....		
39	1				9403-0043-70	•• Plugg.....	•• Plug.....		
40	1				9403-0113-00	•• Mutterhatt.....	•• Nut cap.....		
42	1				1134-6420-01	Momentförstärkare.....	Steering booster		
42A	1				1139-2074-01	Reparationssats.....	Seal kit		
43	3				9939-0612-16	Skruv.....	Screw.....		
47	1				1134-7073-01	Vinkeladapter	Hydraulic coupling		
48	1				1134-6822-01	Hydraulslang	Hydraulic tube.....		L = 1740 mm
49	1				1134-6323-01	Banjobult	Banjo bolt.....		
50	1				1134-6821-01	Hydraulslang	Hydraulic tube.....		L = 2050 mm
51	2				1134-4948-02	Tredobricka	Tredo washer		
52	2				1134-4282-01	Hydraulnippel	Hydraulic nipple		
52A	1				9404-0028-01	• O- ring.....	• O- ring.....		
X 53	1				1137-0070-01	Ratt rör- inre kpl	Steering tube- inner.....		
54	1				1134-5177-01	• Slid	• Slide.....		
55	1				9710-0631-12	• Fyrkantmutter	• Square nut		
56	1				1134-4481-02	Vingmutter.....	Wing nut		
57	1				9997-0630-12	Skruv.....	Screw.....		
X 58	1				1137-0112-01	Bygel	Guide		
59	2				9897-0616-16	Vagnsbult	Carriage bolt		
60	2				9739-0631-22	Mutter.....	Nut.....		

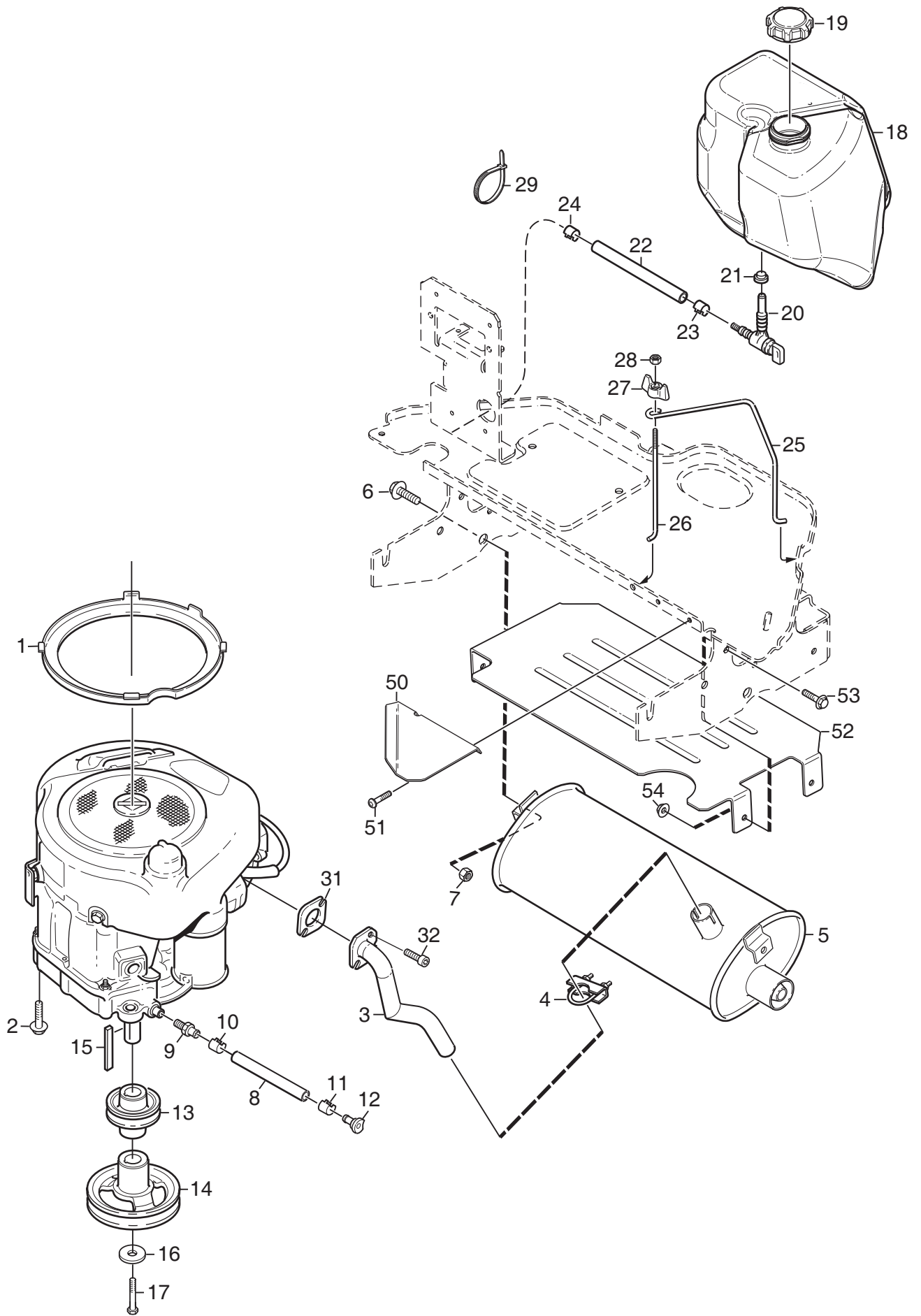


Utgåva Issue 2010- 11		Bildnr Picture No 1991C		PARK 2WD HANDREGLAGE		PARK 2WD HAND CONTROLS		Sida Page 82	
Pos. Fig.	Antal/Quantity			Art nr Part No	Benämning	Description	Sats Kit	Anmärkning Notes	
	6179	6184	6180						
1	1	1	1	1134-4156-01	Vinkelhållare	Panel bracket- inner			
2	2	2	2	9897-0820-16	Skruv	Screw			
3	2	2	2	9739-0831-22	Mutter	Nut			
4	1	1	1	9695-0011-00	Bricka	Washer			
5	1	1	1	1134-4065-01	Reglageaxel	Control shaft			
6	1	1	1	1134-4079-01	Fjäder	Spring			
7	1	1	1	1134-4080-03	Reglagehylsa	Control sleeve			
8	2	2	2	9959-0820-16	Skruv	Screw			
9	1	1	1	1134-4077-01	Gasreglage	Throttle control			
10	1	1	1	1134-4078-01	Knopp	Knob			
11	1	1	1	1134-0240-00	Ansattsskruv	Shoulder screw			
12	2	2	2	1134-4242-01	Distansbricka	Spacer washer			
13	1	1	1	9694-0001-00	Fjäderbricka	Washer			
14	1	1	1	9747-0831-02	Mutter	Lock nut			
15	1			1134-4195-01	Gaswire	Throttle cable		L1 = 1413 mm	
15		1		1134-4197-01	Gaswire	Throttle cable		L1 = 925 mm	
15			1	1134-4923-01	Gaswire	Throttle cable		L1 = 880 mm	
16	1	1	1	9500-9991-00	Wireklämma	Cable clamp			
17	1	1	1	9943-0516-16	Skruv	Screw			
18	1	1	1	1134-4072-01	Aggregatspak	Control lever			
19	1	1	1	1134-2551-01	Reglageknopp	Knob			
20	1	1	1	1134-3573-03	Wire	PTO cable			
21	1	1	1	1134-5358-01	Brytarfäste	Switch bracket			
22	2	2	2	9852-8013-16	Skruv	Screw			
23	1	1	1	9400-0285-01	Microbrytare	Switch			
24	2	2		9840-7716-16	Skruv	Screw		L = 16 mm	
24			2	9847-7732-16	Skruv	Screw		L = 32 mm	
25	1	1	1	1134-6328-01	Frontfäste	Panel bracket- front			
26	2	2	2	9893-0616-16	Skruv	Screw			
27	1	1	1	1134-6327-01	Frontplåt	Front plate			
28	4	4	4	9893-0616-16	Skruv	Screw			
32	1		1	1134-6096-02	Kassett	Dashboard			
32		1		1134-6096-05	Kassett	Dashboard			
33	4	4	4	9946-0525-16	Skruv	Screw			
34	1	1	1	1134-4154-01	Täckbricka	Cover			
35	5	6	5	1134-4129-01	Täckbricka	Cover			
36	1	1		1134-4093-01	Tändningslås	Ignition switch			
36			1	1134-4908-01	Tändningslås	Ignition switch			
39	1	1		1134-4749-01	Mutter	Nut			
40	1			1134-2872-03	Chokereglage	Choke control			
40A	1			1134-4338-01	• Reglageknopp	• Control knob			
41	1		1	9699-0090-02	Planbricka	Flat washer			
42	1		1	9400-0282-01	Brytare m.diod	Switch w.diode			
44	1	1	1	1134-6097-01	Timräknare	Hour meter			
45		1		1134-4100-01	Täckpropp	Plug			
46			1	9400-0296-01	Dragströmbrytare	Switch			
47			1	1134-4697-02	Mikrobrytare	Switch			
49	1		1	9400-0280-03	Vippa- höjdställning	Cover- height adjust			
99	1		1	9400-0290-01	Verktyg f.vippa	Tool for cover		Tillbehör/Accessory	



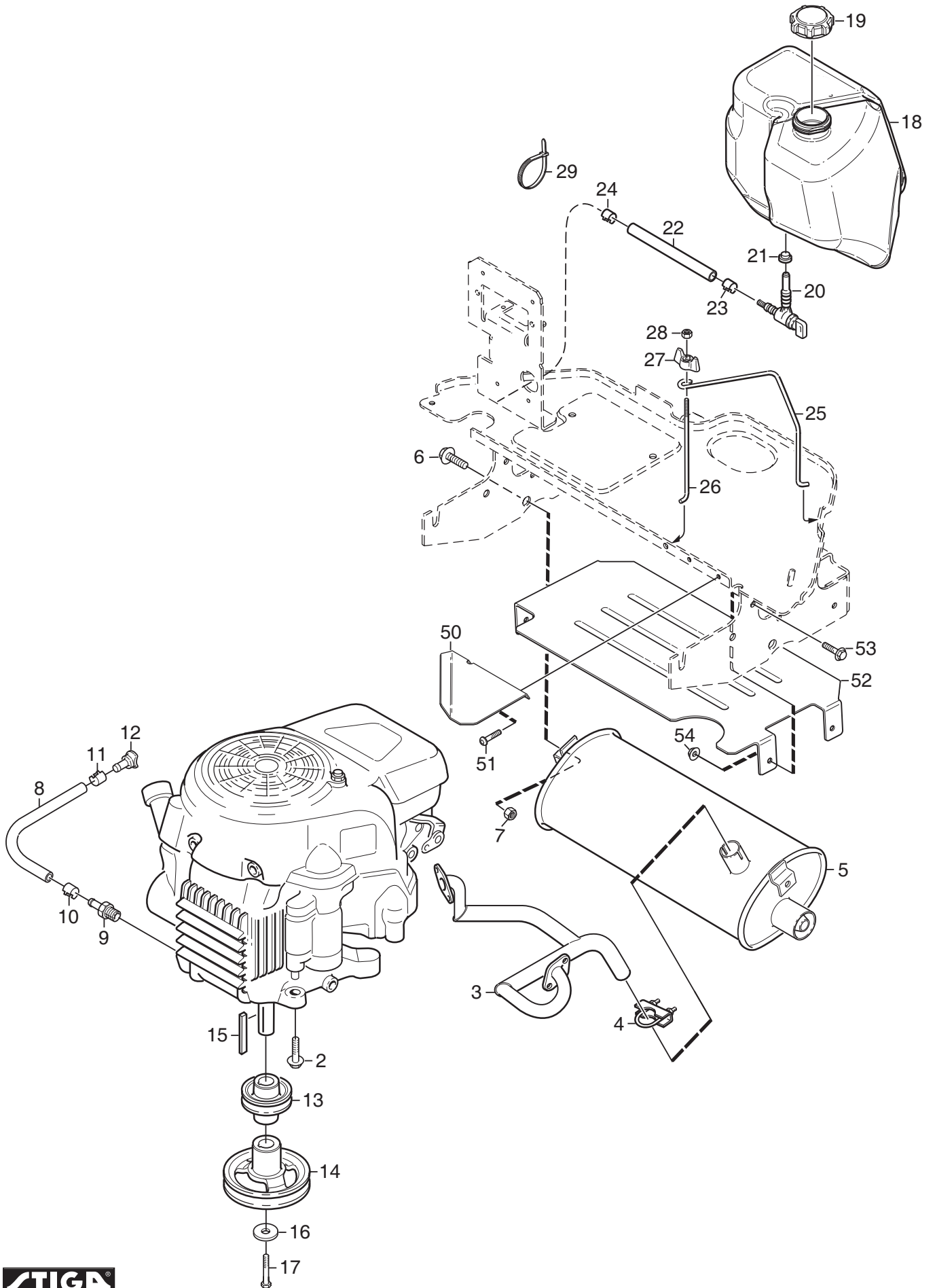


Utgåva Issue 2010- 11		Bildnr Picture No 2020F		PARK 2WD ELUTRUSTNING		PARK 2WD EL. EQUIPMENT		Sida Page 86	
Pos. Fig.	Antal/Quantity			Art nr Part No	Benämning	Description	Sats Kit	Anmärkning Notes	
	6179	6184	6180						
1	1	1	1	1134-5751-01	Batteri	Battery			
2	1	1	1	1134-5994-01	Batteribygel	Battery loop.....			
3	1	1	1	1134-5995-01	Batteribygel	Battery loop.....			
4	1	1	1	1134-4481-02	Vingmutter.....	Wing nut			
5	1	1	1	9747-0631-02	Låsmutter	Lock nut			
6	1	1	1	1134-2962-01	Solenoid kpl	Solenoid assy.....			
7	2	2	2	9794-5131-02	• Mutter.....	• Nut			
8	2	2	2	9852-8013-16	Skruv	Screw			
9	2	2	2	9699-0060-02	Planbricka.....	Flat washer.....			
10	1	1	1	1134-4970-02	Kabel- röd.....	Cable- red.....			
11	1	1	1	1134-3491-01	Säkringshållare.....	Fuse holder			
12	1	1	1	1134-3496-01	Säkring	Fuse		10A	
12	1	1	1	1134-3496-06	Säkring	Fuse		20A	
12	1	1	1	1134-3496-07	Säkring	Fuse		30A	
13	1	1	1	1134-3631-01	Lock- säkringsdosa.....	Cover- fuse holder.....			
14	1	1	1	1134-3399-02	Brytare.....	Switch			
15	2	2	2	9943-0516-16	Skruv	Screw			
16	1	1	1	1134-4172-01	Strålkastare kpl.....	Headlamp assy.....			
16A	1	1	1	9400-0293-01	• Glödlampa	• Bulb.....		12V - 21W	
17	2	2	2	9849-7819-16	Skruv	Screw			
18	2	2	2	1134-4177-01	Clips	Clips			
19	1	1	1	1134-7535-01	Honkontakt	Female terminal.....			
20	1	1	1	1134-4052-01	Stödbricka	Support washer.....			
21	2	2	2	9840-7716-16	Skruv	Screw			
22A	1	1	1	1134-0234-02	Batterikabel (+).....	Battery cable (+).....			
22B	1	1	1	1134-6067-01	Kabel (+).....	Cable (+)			
23	1	1	1	1134-2310-01	Batteriskydd.....	Guard cap			
24	7	7	7	9579-0003-00	Buntband	Cable holder			
27	2	2	2	9849-8006-16	Skruv	Screw			
37	1	1	1	9959-0612-16	Skruv	Screw			
38	1	1	1	9739-0631-22	Mutter.....	Nut			
39	1	1	1	1134-6454-01	Jordplåt	Ground plate			
40	1	1	1	1134-6034-01	Kablage.....	Cable harness		Diesel	
40	1	1	1	1134-6441-01	Kablage.....	Harness.....			
40	1	1	1	1137-0027-01	Kablage.....	Harness.....		Honda	



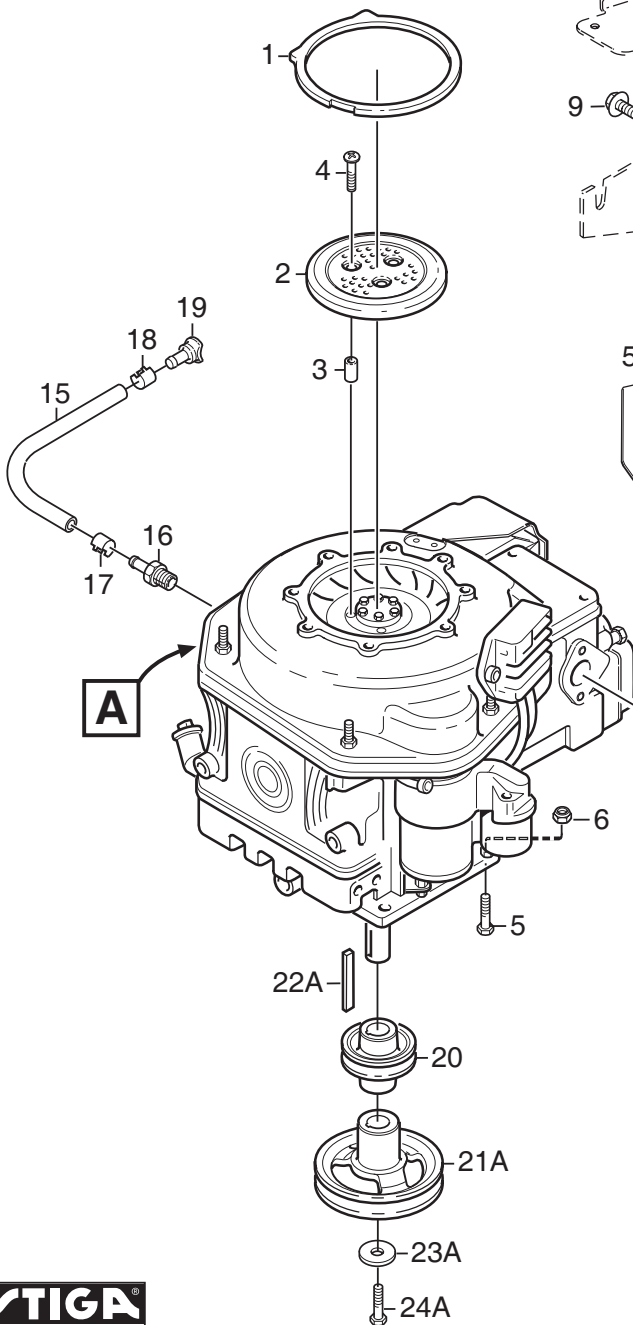
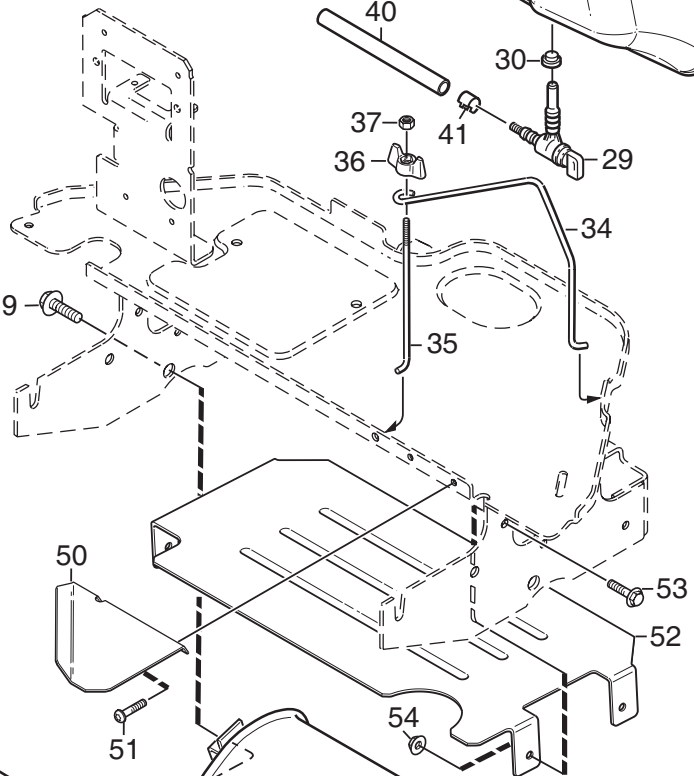
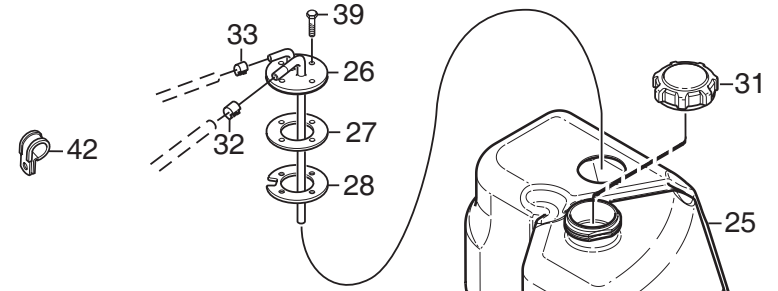
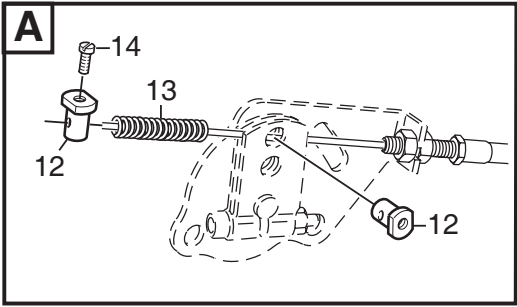
Utgåva Issue 2010- 11		Bildnr Picture No 2021		PARK 2WD PRESIDENT MOTOR (Briggs & Stratton)		PARK 2WD PRESIDENT ENGINE (Briggs & Stratton)		Sida Page 88	
Pos. Fig.	Antal/Quantity				Art nr Part No	Benämning	Description	Sats Kit	Anmärkning Notes
	6184								
1	1				1134-6116-02	Luffring.....	Air duct		
2	4				9955-3725-16	Skruv.....	Screw.....		
3	1				1134-6334-01	Grenrör.....	Exhaust pipe		
4	1				9578-0011-01	Klämma.....	Clamp.....		
5	1				1134-6024-01	Ljuddämpare	Muffler		
6	1				9959-0820-16	Skruv.....	Screw.....		
7	1				9739-0831-22	Mutter.....	Nut.....		
8	1				1134-5827-01	Oljeavtappning kpl.....	Oil drain assy		Inkl. pos 9 - 12
9	1				1134-5825-01	• Nippel.....	• Nipple.....		
10	1				9578-0023-04	• Slangklämma.....	• Hose clamp		
11	1				1134-3499-02	• Slangklämma.....	• Hose clamp		
12	1				1134-5826-01	• Plugg.....	• Plug.....		
13	1				1134-6137-01	Motorremskiva	Engine pulley.....		
14	1				1134-6419-01	Motorremskiva	Engine pulley.....		
15	1				9600-0251-01	Kil.....	Key.....		
16	1				1134-5017-01	Bricka.....	Washer.....		
17	1				9987-5332-16	Skruv.....	Screw		
18	1				1134-5938-01	Bränsletank.....	Fuel tank		
19	1				1134-5532-01	Tanklock	Fuel tank cap.....		
20	1				1134-3224-01	Bensinkran.....	Fuel shut-off valve		
21	1				1134-3225-01	Gummibussning.....	Grommet.....		
22	1,1				9505-0001-01	Bensinslang (meter)	Fuel line (metre).....		Per meter
23	1				9578-0023-02	Slangklämma.....	Hose clamp		
24	1				9578-0023-02	Slangklämma.....	Hose clamp		
25	1				1134-5942-01	Tankbygel	Tank loop		
26	1				1134-5996-01	Tankbygel	Tank loop		
27	1				1134-4481-02	Vingmutter.....	Wing nut		
28	1				9747-0631-02	Låsmutter	Lock nut.....		
29	1				9579-0003-00	Buntband.....	Cable holder.....		
30	1				9852-8013-16	Skruv.....	Screw.....		
31	1				1134-0433-00	Ljuddämparpackning.....	Muffler gasket.....		
32	2				1134-4930-01	Skruv.....	Screw.....		
50	1				1134-6234-01	Deflektor.....	Heat deflector.....		
51	2				9943-0516-16	Skruv.....	Screw.....		
52	1				1134-6251-01	Deflektor.....	Heat deflector.....		
53	4				9959-0612-16	Skruv.....	Screw.....		
54	4				9739-0631-22	Mutter.....	Nut.....		

X



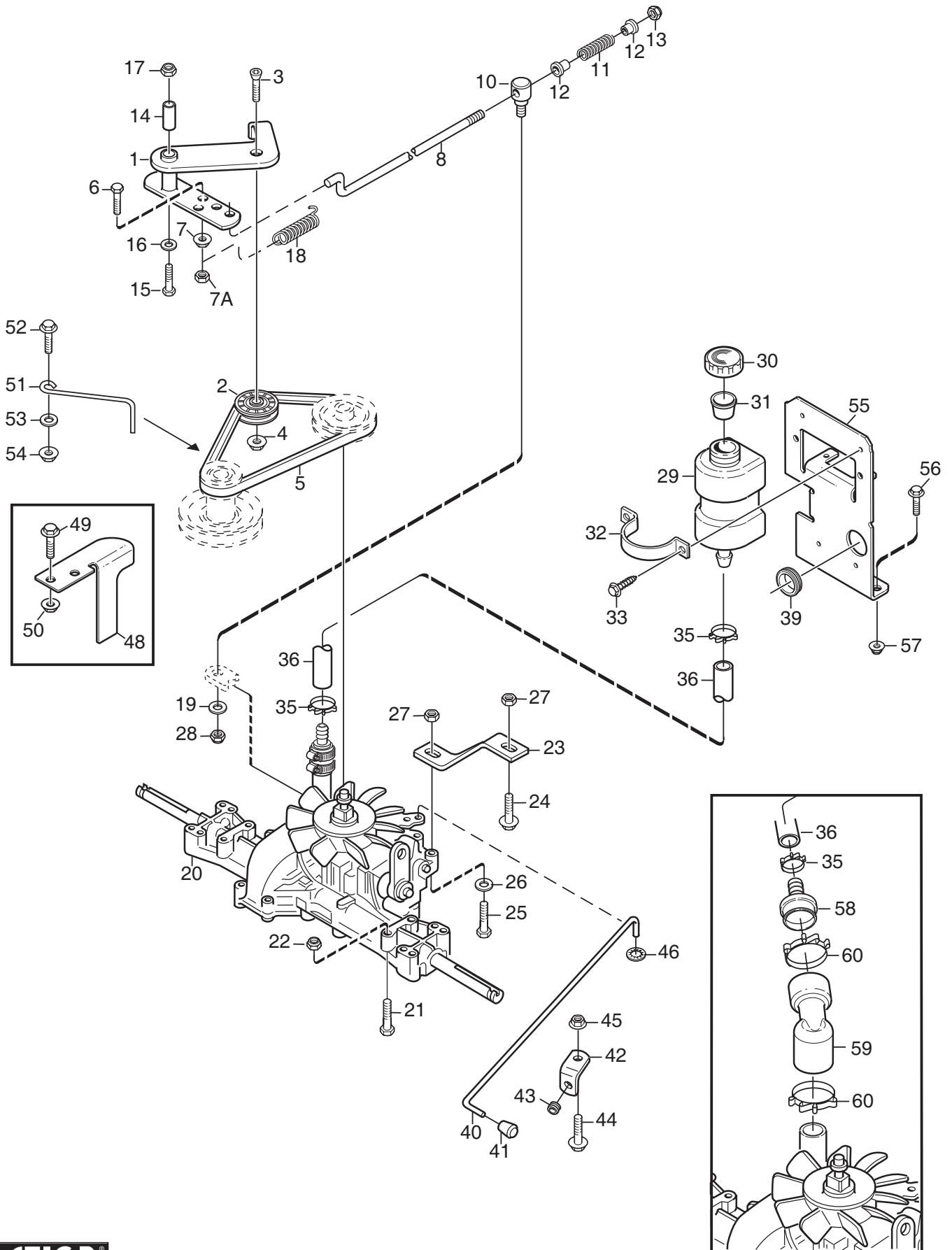
Utgåva Issue 2010- 11		Bildnr Picture No 2022		PARK 2WD RANGER MOTOR (Honda)		PARK 2WD RANGER ENGINE (Honda)		Sida Page 90	
Pos. Fig.	Antal/Quantity				Art nr Part No	Benämning	Description	Sats Kit	Anmärkning Notes
	6179								
2	4				9955-3725-16 Skruv.....	Screw.....			
3	1				1134-5947-01 Grenrör.....	Exhaust pipe.....			
4	1				9578-0011-01 Klämman.....	Clamp.....			
5	1				1134-6024-01 Ljuddämpare.....	Muffler.....			
6	1				9959-0820-16 Skruv.....	Screw.....			
7	1				9739-0831-22 Mutter.....	Nut.....			
8	1				1134-5827-01 Oljeavtapning kpl.....	Oil drain assy.....			Inkl. pos 9 - 12
9	1				1134-5825-01 • Nippel.....	• Nipple.....			
10	1				9578-0023-04 • Slangklämman.....	• Hose clamp.....			
11	1				1134-3499-02 • Slangklämman.....	• Hose clamp.....			
12	1				1134-5826-01 • Plugg.....	• Plug.....			
13	1				1134-6137-01 Motorremskiva.....	Engine pulley.....			
14	1				1134-6419-01 Motorremskiva.....	Engine pulley.....			
15	1				9600-0251-01 Kil.....	Key.....			
16	1				1134-5017-01 Bricka.....	Washer.....			
17	1				9987-5332-16 Skruv.....	Screw.....			
18	1				1134-5938-01 Bränsletank.....	Fuel tank.....			
19	1				1134-5532-01 Tanklock.....	Fuel tank cap.....			
20	1				1134-3224-01 Bensinkran.....	Fuel shut-off valve.....			
21	1				1134-3225-01 Gummibussning.....	Grommet.....			
22	1,1				9505-0001-01 Bensinslang (meter).....	Fuel line (metre).....			Per meter
23	1				9578-0023-02 Slangklämman.....	Hose clamp.....			
24	1				9578-0023-02 Slangklämman.....	Hose clamp.....			
25	1				1134-5942-01 Tankbygel.....	Tank loop.....			
26	1				1134-5996-01 Tankbygel.....	Tank loop.....			
27	1				1134-4481-02 Vingmutter.....	Wing nut.....			
28	1				9747-0631-02 Låsmutter.....	Lock nut.....			
29	1				9579-0003-00 Buntband.....	Cable holder.....			
30	1				9893-0616-16 Skruv.....	Screw.....			
50	1				1134-6234-01 Deflektor.....	Heat deflector.....			
51	2				9943-0516-16 Skruv.....	Screw.....			
52	1				1134-6251-01 Deflektor.....	Heat deflector.....			
53	4				9959-0612-16 Skruv.....	Screw.....			
54	4				9739-0631-22 Mutter.....	Nut.....			

X



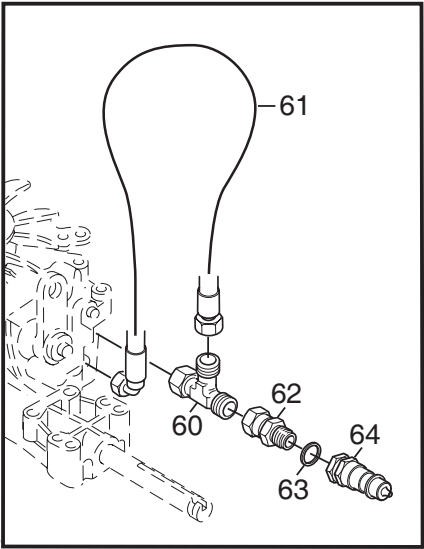
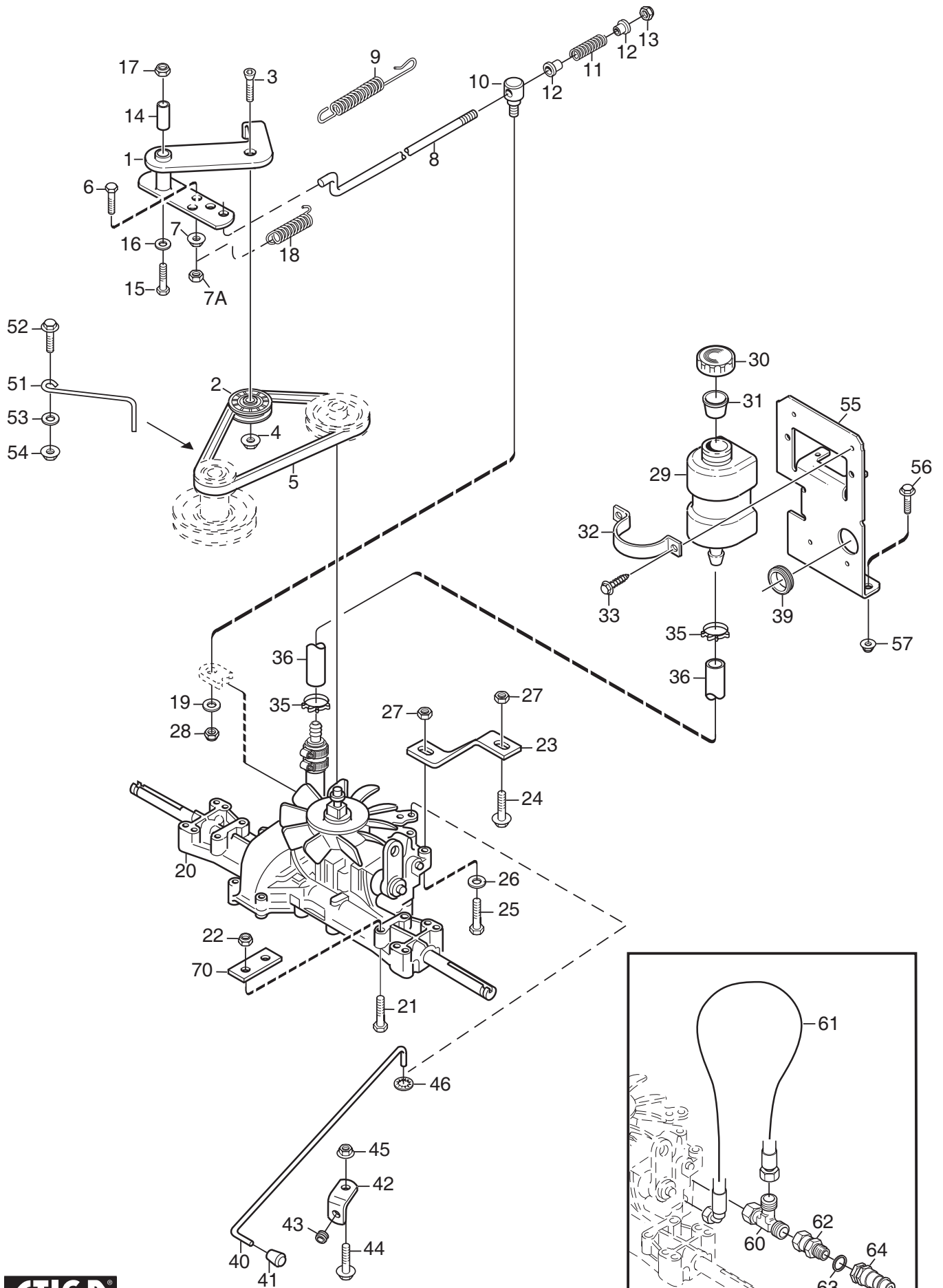
Utgåva Issue 2010- 11		Bildnr Picture No 2023B		PARK 2WD DIESEL MOTOR (Hatz)		PARK 2WD DIESEL ENGINE (Hatz)		Sida Page 92	
Pos. Fig.	Antal/Quantity				Art nr Part No	Benämning	Description	Sats Kit	Anmärkning Notes
	6180								
1	1				1134-6463-01	Tätningring	Seal ring		
2	1				1134-4962-01	Fläktskydd	Fan cover		
3	3				1134-4963-01	Distans	Spacer		
4	3				9948-0630-16	Skruv	Screw		
5	4				9997-1050-16	Skruv	Screw		
6	4				9731-1031-22	Mutter	Nut		
7	1				1134-6012-01	Grenrör	Exhaust pipe		
8	1				1134-6024-01	Ljuddämpare	Muffler		
9	2				9959-0820-16	Skruv	Screw		
10	2				9739-0831-22	Mutter	Nut		
11	1				9578-0011-01	Klämma	Clamp		
12	2				1134-6118-01	Skruvnippel	Cable nipple		
13	1				1134-6126-01	Tryckfjäder	Comp. spring		
14	1				9997-0412-16	Skruv	Screw		
15	1				1134-5827-04	Oljeavtappning kpl	Oil drain assy		Inkl. pos 16 - 19
16	1				1134-5825-01	• Nippel	• Nipple		
17	1				9578-0023-04	• Slangklämma	• Hose clamp		
18	1				1134-3499-02	• Slangklämma	• Hose clamp		
19	1				1134-5826-01	• Plugg	• Plug		
20	1				1134-6139-01	Motorremskiva	Engine pulley		
21A	1				1134-6419-01	Motorremskiva	Engine pulley		
22A	1				9600-0251-01	Kil	Key		L = 2- 1/2"
23A	1				1134-5017-01	Bricka	Washer		
24A	1				9987-5332-16	Skruv	Screw		L = 32 mm
25	1				1134-5938-02	Bränsletank	Fuel tank		
26	1				1134-6130-01	Bränslegennomföring	Fuel connection		
27	1				1134-6136-01	Packning	Sealing		
28	1				1134-6134-01	Fläns	Flange		
29	1				1134-3224-01	Bensinkran	Fuel shut- off valve		
30	1				1134-3225-01	Gummibussning	Grommet		
31	1				1134-5532-01	Tanklock	Fuel tank cap		
32	1				9578-0023-02	Slangklämma	Hose clamp		
33	1				9578-0023-07	Slangklämma	Hose clamp		
34	1				1134-5942-01	Tankbygel	Tank loop		
35	1				1134-5996-01	Tankbygel	Tank loop		
36	1				1134-4481-02	Vingmutter	Wing nut		
37	1				9747-0631-02	Låsmutter	Lock nut		
38	1				9959-0820-16	Skruv	Screw		
39	4				9997-0625-16	Skruv	Screw		
40	0,11				9505-0001-01	Bensinslang (meter)	Fuel line (metre)		Per meter
41	1				9578-0023-02	Slangklämma	Hose clamp		
42	1				1134-0994-02	Rörklammer	Tube clamp		
43	2				9939-0820-16	Skruv	Screw		
50	1				1134-6234-01	Deflektor	Heat deflector		
51	2				9943-0516-16	Skruv	Screw		
52	1				1134-6251-01	Deflektor	Heat deflector		
53	4				9959-0612-16	Skruv	Screw		
54	4				9739-0631-22	Mutter	Nut		

X



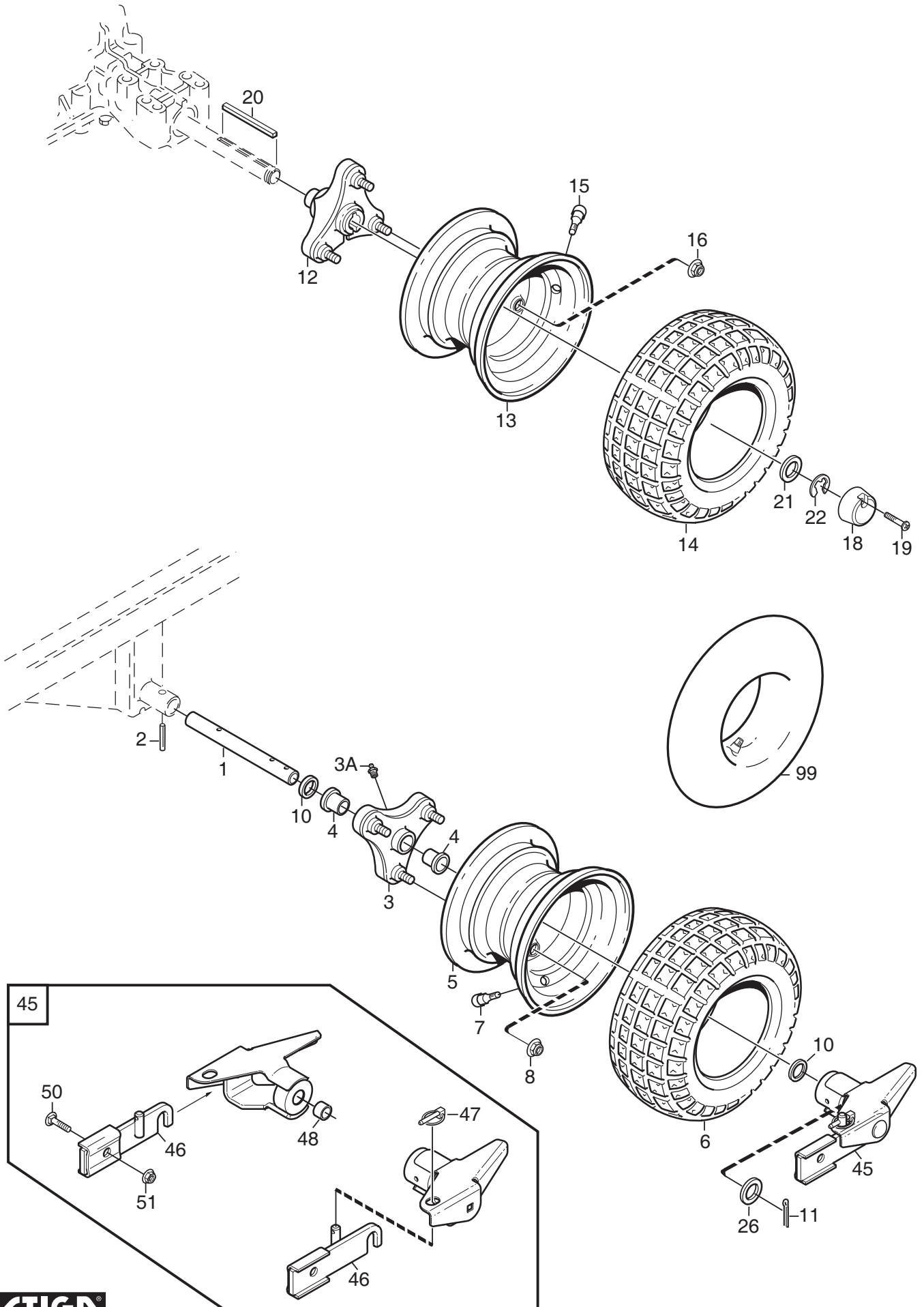
Utgåva Issue		Bildnr Picture No		PARK 2WD PRESIDENT-DIESEL TRANSMISSION		PARK 2WD PRESIDENT-DIESEL TRANSMISSION		Sida Page	
2010-11		1996A						94	
Pos. Fig.	Antal/Quantity			Art nr Part No	Benämning	Description	Sats Kit	Anmärkning Notes	
	6180	6184							
1	1	1		1134-4000-02	Spännarm	Tension arm		= 9585-0091-01	
2	1	1		1134-3459-01	Spännrulle	Tension roller			
3	1	1		9924-1035-16	Skruv	Screw			
4	1	1		9799-1031-02	Mutter	Nut			
5	1	1		1134-9058-01	Drivrem	V-belt			
6	1	1		9997-0625-16	Skruv	Screw			
7	1	1		9739-0631-22	Mutter	Nut			
7A	1	1		9747-0631-02	Låsmutter	Lock nut			
8	1	1		1134-3377-02	Reglagestång	Control rod			
9	1	1		4231-0013-00	Fjäder	Spring			
10	1	1		1134-4171-01	Ledtapp	Pivot pin			
11	1	1		1134-4183-01	Tryckfjäder	Compression spring			
12	2	2		1134-3456-01	Bussning	Bushing			
13	1	1		9747-0631-02	Låsmutter	Lock nut			
14	1	1		1134-1565-08	Distans	Spacer			
15	1	1		9997-0870-16	Skruv	Screw			
16	1	1		9699-0056-02	Planbricka	Flat washer			
17	1	1		9747-0831-02	Mutter	Lock nut			
18	1	1		1134-6414-01	Fjäder	Spring			
19	1	1		9699-0060-02	Planbricka	Flat washer			
20	1	1		1134-7767-01	Transaxel kpl.	Transaxle Assy	Kanzaki K46CI Kanzaki K46CI L = 60 mm		
20	1	1		1137-0123-01	Transaxel kpl.	Transaxle Assy			
21	4	4		9960-0860-12	Skruv	Screw			
22	4	4		9747-0831-02	Mutter	Lock nut			
23	1	1		1134-3913-01	Reaktionsstag	Strut			
24	1	1		9959-0825-16	Skruv	Screw			
25	1	1		9997-0845-12	Skruv	Screw			
26	1	1		9699-0090-02	Planbricka	Flat washer			
27	2	2		9747-0831-02	Mutter	Lock nut			
28	1	1		9747-0631-02	Låsmutter	Lock nut			
29	1	1		1134-2765-02	Oljetank	Oil tank			
30	1	1		1134-2777-02	Tanklock	Filler cap			
31	1	1		1134-3734-01	Luftningsplugg	Vent plug			
32	1	1		1134-2778-01	Fästband	Retainer strap			
33	2	2		9852-8013-16	Skruv	Screw			
35	2	2		9578-0023-04	Slangklämma	Hose clamp	15 x 8 L = 230 mm L = 290 mm		
36	1			1134-2779-06	Slang	Tube			
36		1		1134-2779-09	Slang	Tube			
39	1	1		1134-3203-01	Kabelgenomföring	Grommet			
40	1	1		1134-4015-01	Dragstång	Pull rod			
41	1	1		1134-4014-01	Plastknopp	Plastic button			
42	1	1		1134-4713-01	Vinkel	Bracket			
43	1	1		1134-2790-01	Gummihylsa	Rubber grommet			
44	1	1		9959-0820-16	Skruv	Screw			
45	1	1		9739-0831-22	Mutter	Nut			
46	1	1		9675-0009-02	Starlock	Starlock			
48	1			1134-6047-01	Remstyrning	Belt guide			
49	1			9959-1025-16	Skruv	Screw			
50	1			9739-1031-22	Mutter	Nut			
51		1		1134-3289-02	Remstyrning	Belt guide			
52		1		9959-0820-16	Skruv	Screw			
53		1		9699-0056-02	Planbricka	Flat washer			
54		1		9739-0831-22	Mutter	Nut			
55	1	1		1134-5941-01	Tankkonsol	Tank bracket			
56	2	2		9959-0820-16	Skruv	Screw			
57	2	2		9739-0831-22	Mutter	Nut			
58	1			1134-6051-01	Slangnippel	Hose nipple			
59	1			1134-6050-01	Böj	Elbow			
60	2			9578-0023-06	Slangklämma	Hose clamp			

X



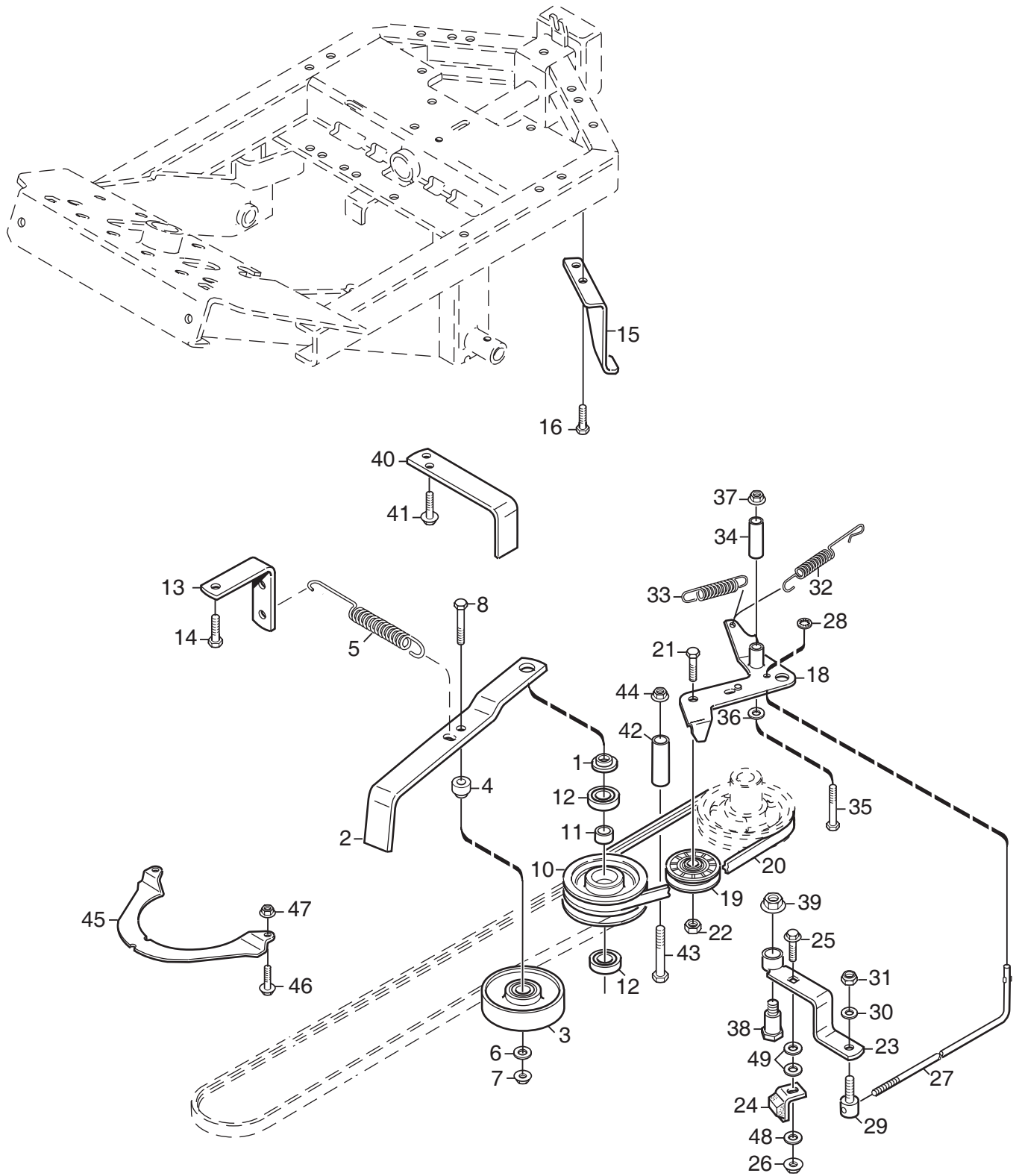
Utgåva Issue 2010- 11		Bildnr Picture No 2410		PARK 2WD RANGER TRANSMISSION		PARK 2WD RANGER TRANSMISSION		Sida Page 96	
Pos. Fig.	Antal/Quantity				Art nr Part No	Benämning	Description	Sats Kit	Anmärkning Notes
	6179								
1	1				1134- 4000- 02	Spännarm	Tension arm		
2	1				1134- 3459- 01	Spännrulle	Tension roller		
3	1				9924- 1035- 16	Skruv	Screw		
4	1				9799- 1031- 02	Mutter	Nut		
5	1				1134- 9058- 01	Drivrem	V- belt.....		
6	1				9997- 0625- 16	Skruv	Screw		
7	1				9739- 0631- 22	Mutter	Nut		
7A	1				9747- 0631- 02	Låsmutter	Lock nut		
8	1				1134- 3377- 02	Reglagestång	Control rod.....		
9	1				4231- 0013- 00	Fjäder.....	Spring		
10	1				1134- 4171- 01	Ledtapp	Pivot pin.....		
11	1				1134- 4183- 01	Tryckfjäder.....	Compression spring.....		
12	2				1134- 3456- 01	Bussning	Bushing.....		
13	1				9747- 0631- 02	Låsmutter	Lock nut		
14	1				1134- 1565- 08	Distans	Spacer.....		
15	1				9997- 0870- 16	Skruv	Screw		
16	1				9699- 0056- 02	Planbricka.....	Flat washer.....		
17	1				9747- 0831- 02	Mutter.....	Lock nut.....		
18	1				1134- 6414- 01	Fjäder.....	Spring		
19	1				9699- 0060- 02	Planbricka.....	Flat washer.....		
20	1				1134- 6129- 01	Transaxel kpl.....	Transaxle assy.....		
20	1				1137- 0126- 01	Transaxel kpl.....	Transaxle assy.....		Kanzaki K574F 4- port Kanzaki K574V L = 60 mm
21	4				9960- 0860- 12	Skruv	Screw		
22	4				9747- 0831- 02	Mutter.....	Lock nut.....		
23	1				1134- 3913- 01	Reaktionsstag	Strut		
24	1				9959- 0825- 16	Skruv	Screw		
25	1				9997- 0845- 12	Skruv	Screw		
26	1				9699- 0090- 02	Planbricka.....	Flat washer.....		
27	2				9747- 0831- 02	Mutter.....	Lock nut.....		
28	1				9747- 0631- 02	Låsmutter	Lock nut.....		
29	1				1134- 2765- 02	Oljetank	Oil tank.....		
30	1				1134- 2777- 02	Tanklock	Filler cap		
31	1				1134- 3734- 01	Luftningsplugg	Vent plug.....		
32	1				1134- 2778- 01	Fästband	Retainer strap		
33	2				9852- 8013- 16	Skruv	Screw		
35	2				9578- 0023- 04	Slangklämma.....	Hose clamp		
36	1				1134- 2779- 09	Slang	Tube		15 x 8 L = 290 mm
39	1				1134- 3203- 01	Kabelgenomföring	Grommet.....		
40	1				1134- 4015- 01	Dragstång	Pull rod.....		
41	1				1134- 4014- 01	Plastknopp.....	Plastic button.....		
42	1				1134- 4713- 01	Vinkel.....	Bracket.....		
43	1				1134- 2790- 01	Gummihylsa	Rubber grommet.....		
44	1				9959- 0820- 16	Skruv	Screw		
45	1				9739- 0831- 22	Mutter.....	Nut		
46	1				9675- 0009- 02	Starlock	Starlock		
51	1				1134- 3289- 02	Remstyrning	Belt guide.....		
52	1				9959- 0820- 16	Skruv	Screw		
53	1				9699- 0056- 02	Planbricka.....	Flat washer.....		
54	1				9739- 0831- 22	Mutter.....	Nut		
55	1				1134- 5941- 01	Tankkonsol	Tank bracket.....		
56	2				9959- 0820- 16	Skruv	Screw		
57	2				9739- 0831- 22	Mutter.....	Nut		
60	1				1134- 7246- 01	L- koppling.....	L- coupling.....		- 20100214
61	1				1134- 6823- 01	Hydraulslang	Hydraulic tube.....		- 20100214
62	1				1134- 7245- 01	Adapter- rak	Coupling- straight.....		
63	1				1134- 4948- 01	Tredobricka.....	Seal washer.....		
64	1				1134- 6042- 01	Snabbkoppling- hane	Quick coupling- male.....		

X



Utgåva Issue		Bildnr Picture No		PARK 2WD HJUL 16"		PARK 2WD WHEELS 16"		Sida Page	
2010- 11		1346E						98	
Pos. Fig.	Antal/Quantity				Art nr Part No	Benämning	Description	Sats Kit	Anmärkning Notes
	6179	6184	6180						
1	2				1134- 0075- 01	Framaxeltapp	Front axle		
2	2				9595- 0258- 00	Spännstift	Locating pin		
3	2				1134- 4844- 05	Hjulnav kpl.....	Wheel hub assy.....		
3A	1				9501- 0500- 00	• Smörjnippel	• Grease joint.....		
4	1				1134- 9026- 01	• Lagerbussning.....	• Bearing bush kit		Sats 4 st/kit of 4
5	2				1134- 4558- 01	Fälg.....	Rim		
6	2				9545- 0116- 00	Däck	Tyre.....		16 x 7.50 - 8
7	2				9545- 0500- 00	Ventil	Valve		
8	6				9731- 1031- 22	Mutter.....	Nut		
10	8				1134- 0341- 01	Bricka	Washer.....		
11	2				9599- 0080- 02	• Saxsprint	• Cotter pin		
12	2				1134- 4844- 02	Hjulnav	Wheel hub		
13	2				1134- 4558- 01	Fälg.....	Rim		
14	2				9545- 0116- 00	Däck	Tyre.....		16 x 7.50 - 8
15	2				9545- 0500- 00	Ventil	Valve		
16	6				9731- 1031- 22	Mutter.....	Nut		
18	2				1134- 4796- 01	Navkapsel	Hub cap.....		
19	2				9947- 0540- 19	Skruv	Screw.....		
20	2				1134- 2471- 01	Kil	Key		
21	2				9699- 0042- 02	Planbricka.....	Flat washer.....		
22	2				9653- 0001- 04	Spårryttare	Lock ring.....		
26	2				9699- 0042- 02	• Planbricka.....	• Flat washer.....		
45	1				13- 0992- 61	Snabbfäste kpl.....	Quick connections.....		Inkl. pos 11,26,46- 51
46	1				1134- 7465- 01	• Fästen kpl, vä+hö.....	• Attachment kit, LH+RH.....		Inkl. pos 50- 51
47	2				1137- 0077- 01	• Låssprint.....	• Locking pin		
48	2				9548- 0026- 01	• Glidlager	• Bearing		
50	2				9898- 1035- 16	•• Skruv	•• Screw		
51	2				9739- 1031- 22	•• Mutter.....	•• Nut		
99					9545- 0203- 00	Innerslang	Inner tube		Reservdel/spare part

X



Utgåva Issue		Bildnr Picture No		PARK 2WD KRAFTUTTAG		PARK 2WD POWER TAKE- OFF		Sida Page	
2010- 11		1030G						100	
Pos. Fig.	Antal/Quantity			Art nr Part No	Benämning	Description	Sats Kit	Anmärkning Notes	
	6179 6184	6180							
1	1	1		1134-5548-01	Distans	Spacer			
2	1	1		1134-5109-01	Spännhjulsarm	Tension wheel arm			
3	1	1		1134-1770-01	Spännrulle	Tension roller			
4	1	1		1134-1888-04	Distans	Spacer			
5	1	1		1134-5111-01	Fjäder	Spring			
6	1	1		9699-0056-02	Planbricka	Flat washer			
7	1	1		9739-0831-22	Mutter	Nut			
8	1	1		9997-0855-12	Skruv	Screw			
10	1	1		1134-1769-03	Centrumremskiva kpl.	Centre pulley assy			
11	1	1		1134-0051-09	• Distans	• Spacer			
12	2	2		9549-0019-00	• Kullager	• Ball bearing			
13	1	1		1134-5112-01	Fjäderfäste	Spring attachment			
14	2	2		9945-0816-16	Skruv	Screw			
15	1	1		1134-5110-01	Hake	Hook			
16	2	2		9893-0616-16	Skruv	Screw			
18	1	1		1134-2018-02	Spännarm	Tension arm			
19	1	1		1134-9027-02	Spännrulle- grå	Tension roller- grey			
20	1	1		1134-9071-01	Drivrem	V- belt		= 9585-0129-01	
21	1	1		9997-1030-16	Skruv	Screw			
22	1	1		9799-1031-02	Mutter	Nut			
23	1	1		1134-4111-01	Bromsarm	Brake arm			
24	1	1		1134-4164-03	Bromsklots	Brake pad			
25	1	1		9897-0825-16	Skruv	Screw			
26	1	1		9747-0831-02	Mutter	Lock nut			
27	1	1		1134-4162-01	Bromsstång	Brake rod			
28	1	1		9675-0008-02	Starlock	Locking washer			
29	1	1		1134-4170-01	Nippel	Nipple			
30	1	1		9699-0025-02	Planbricka	Washer			
31	1	1		9747-0631-02	Låsmutter	Lock nut			
32	1	1		4231-0013-00	Fjäder	Spring			
33	1	1		1134-4231-01	Dragfjäder	Spring			
34	1	1		1134-1565-10	Distans	Spacer			
35	1	1		9997-0860-16	Skruv	Screw			
36	1	1		9699-0056-02	Planbricka	Flat washer			
37	1	1		9739-0831-22	Mutter	Nut			
38	1	1		1134-4163-01	Ansatsskruv	Shoulder bolt			
39	1	1		9731-1031-22	Mutter	Nut			
40	1			1134-3958-01	Remstyrning	Belt guide			
41	2			9893-0616-16	Skruv	Screw			
42	1	1		1134-0041-03	Hylsa	Collar			
43	1	1		9997-1070-12	Skruv	Screw			
44	1	1		9739-1031-22	Mutter	Nut			
45	1	1		1134-3654-01	Fingerskydd	Finger guard			
46	2	2		9959-0612-16	Skruv	Screw			
47	2	2		9739-0631-22	Mutter	Nut			
48	1	1		9699-0090-02	Planbricka	Flat washer			
49	2	2		9699-0035-02	Planbricka	Flat washer			