

# Genuine Spare Parts

www.stiga.com

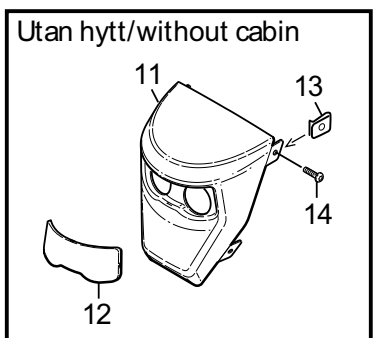
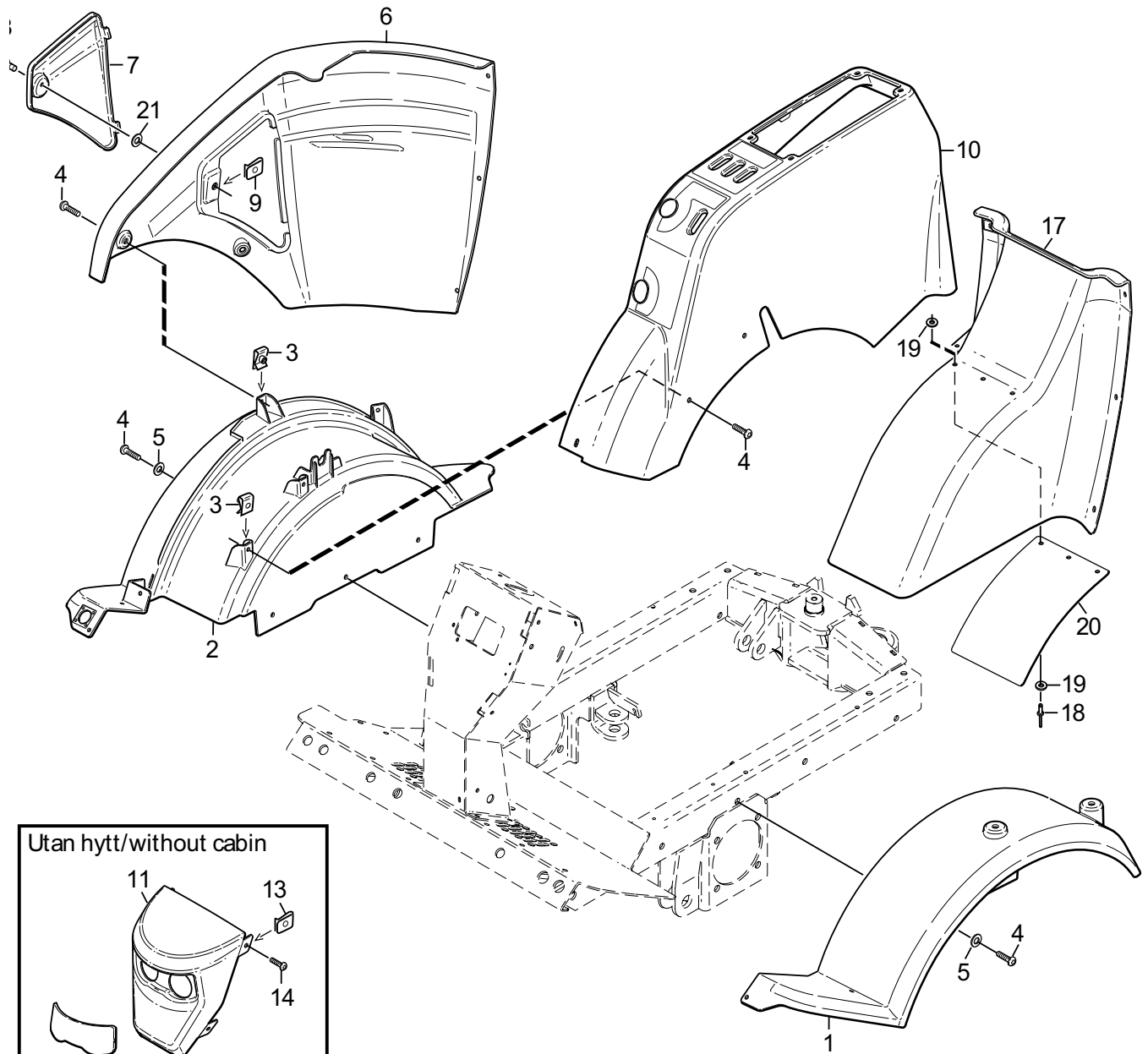
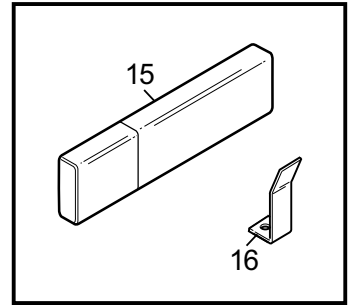
## TITAN - Base Machine Model Year 2010

- Use GLOBAL GARDEN PRODUCT Genuine Spare Parts specified in the parts list for repair and/or replacement.
- The contents described in the parts list may change due to improvement.
- The drawings of the spare parts are only indicative and might not represent the part in question exactly.
- The indications "right" - "left" - "front" - "rear" refer to the position of the operator when using the machine.
- When placing orders of parts for repair and/or replacement, make sure that the illustrated parts list is the one applying to the machine's year of manufacture, as shown on the identification plate attached to the machine.

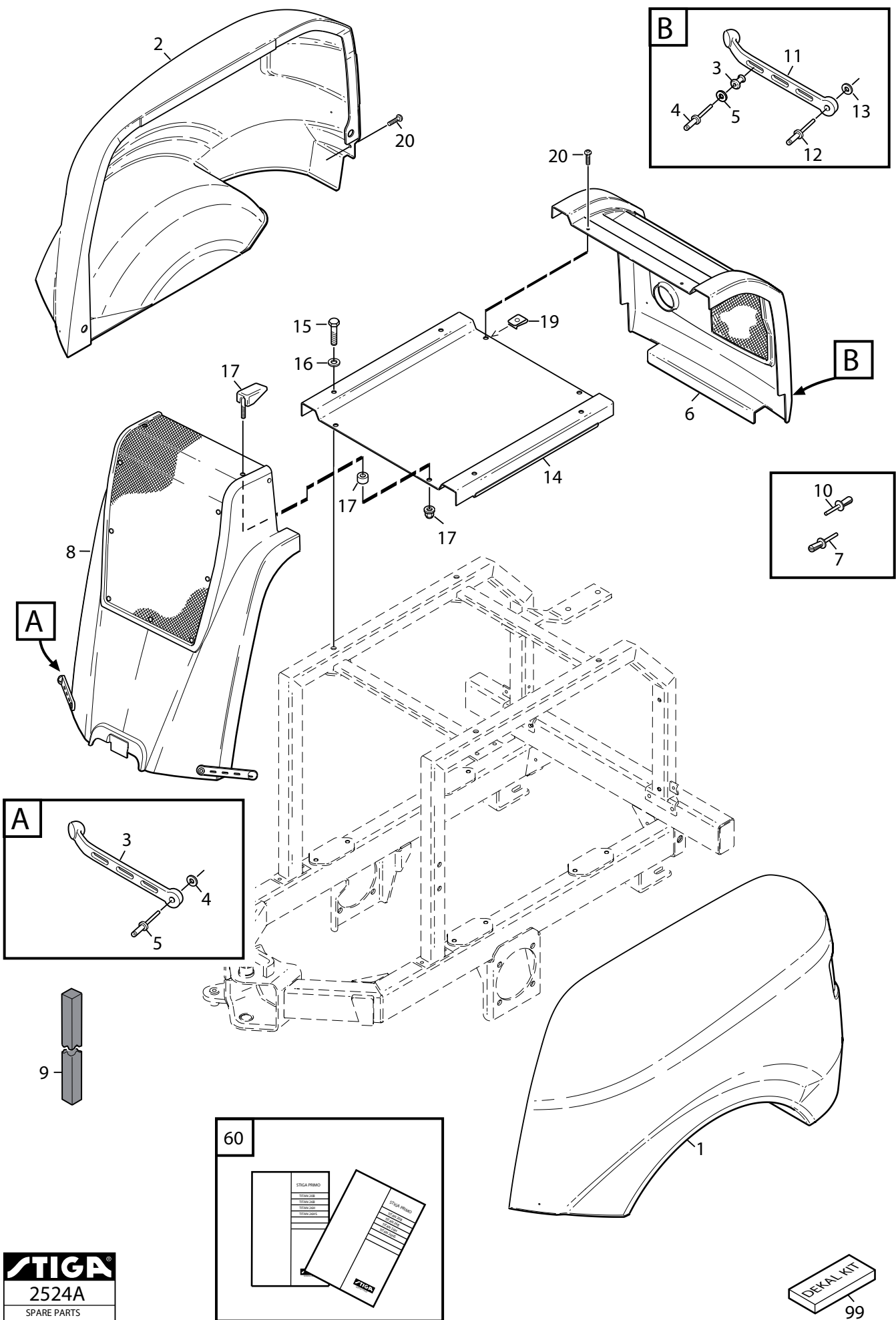
COPYRIGHT by GLOBAL GARDEN PRODUCTS

All rights reserved. No part of this material may be reproduced or transmitted, in any form or by any means, electronic or mechanical, including photocopying, recording or by any information storage and retrieval system, without permission in writing from GLOBAL GARDEN PRODUCTS.





Utgåva Issue		Bildnr Picture No		TITAN KAROSS-FRAM			BODY WORK FRONT		Sida Page	
2010- 16		2523A							2	
Pos. Fig.	Antal/Quantity			Art nr Part No	Benämning	Description	Sats Kit	Anmärkning Notes		
	7434 7435	7440 7441 7442								
1	1	1		1135-2500-01	Framskärm- vä .....	Mud guard front- LH .....				
2	1	1		1135-2501-01	Framskärm- hö .....	Mud guard front- RH .....				
3	6	6		1134-4176-01	Clips .....	Clips .....				
4	8	8		9893-0616-16	Skruv .....	Screw .....				
5	6	6		9699-0060-02	Bricka .....	Washer .....				
6	1	1		1135-2502-01	Sidopanel .....	Side panel .....				
7	1	1		1135-2504-01	Inspektionslucka .....	Inspection cover .....				
8	1	1		1134-7456-02	Vridtapp .....	Fastener .....				
9	1	1		1134-7458-01	Clips .....	Clips .....				
10	1	1		1135-2503-04	Reglagepanel .....	Control panel .....				
11	1	1		1135-2506-01	Frontkåpa .....	Front panel .....		w/o cabin/utan hytt		
12	1	1		1135-2507-01	Frontglas .....	Front glass .....		w/o cabin/utan hytt		
13	4	4		1134-4176-01	Clips .....	Clips .....		w/o cabin/utan hytt		
14	4	4		9893-0616-16	Skruv .....	Screw .....		w/o cabin/utan hytt		
15	1	1		1134-7504-01	Varningstriangel .....	Warning triangle .....				
16	1	1		1135-3174-01	Klämma .....	Clamp .....				
17	1	1		1135-2505-01	Kåpa- bakre .....	Cover- rear .....				
18	3	3		9632-0516-00	Popnit .....	Pop rivet .....				
19	6	6		9699-0120-02	Bricka .....	Washer .....				
20	1	1		1135-3495-01	Gummiduk .....	Rubber cloth .....				
21	1	1		1134-7457-01	Bricka .....	Washer .....				



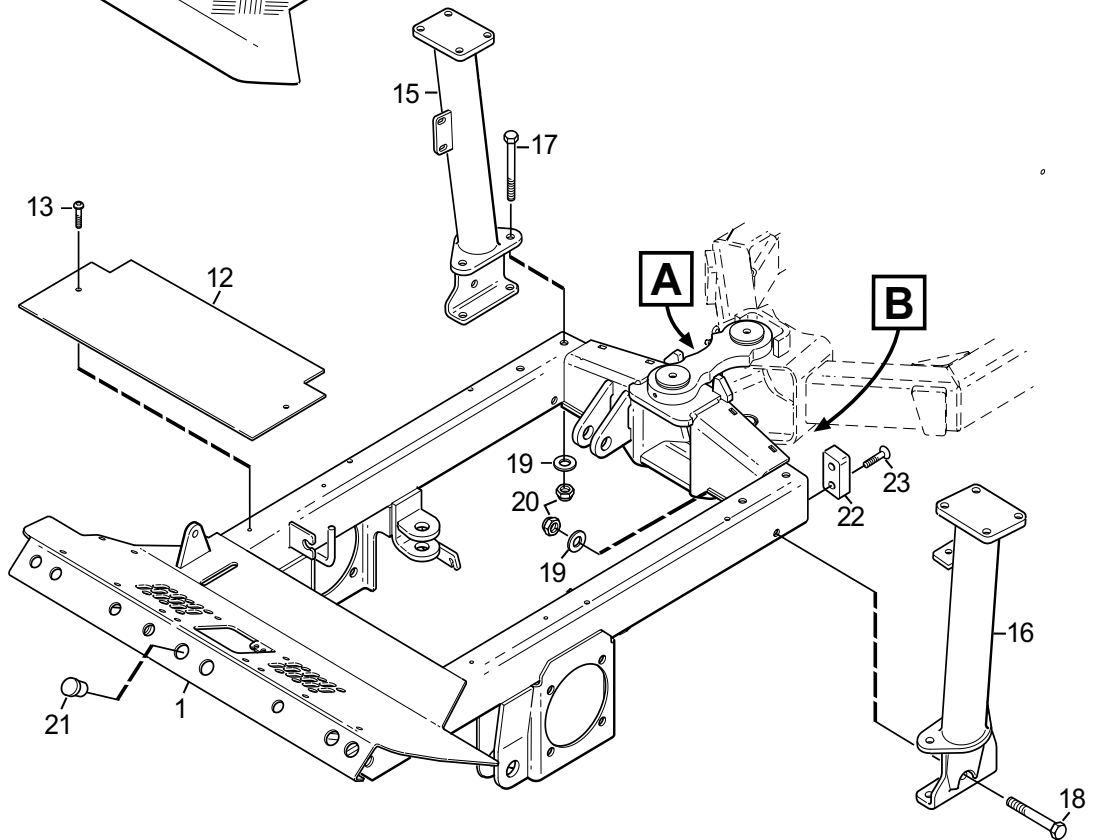
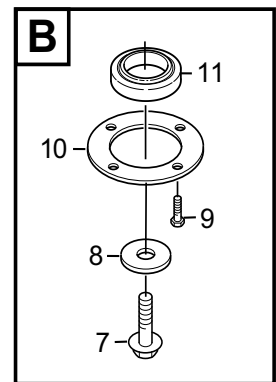
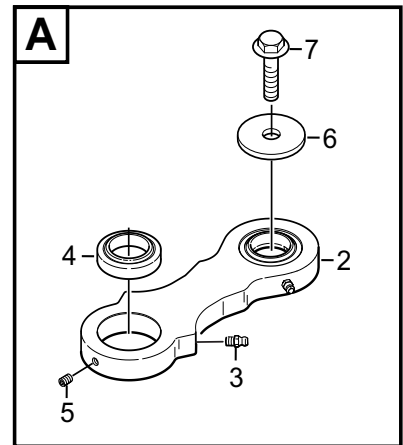
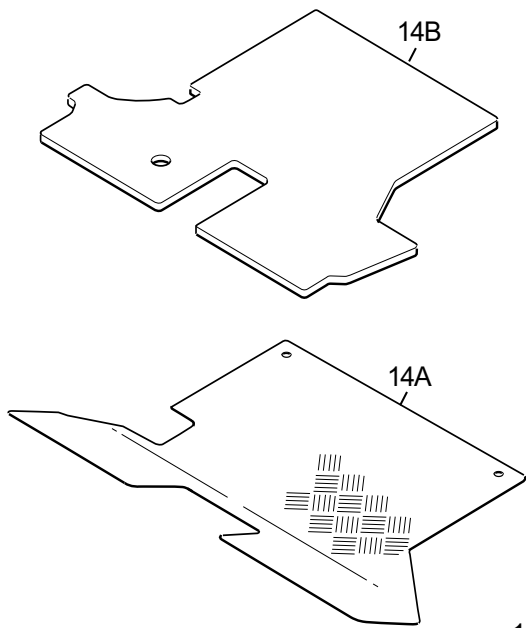
**STIGA**  
2524A  
SPARE PARTS

60

STIGA PIRIBO	STIGA PIRIBO
STIGA PIRIBO	STIGA PIRIBO
STIGA PIRIBO	STIGA PIRIBO
STIGA PIRIBO	STIGA PIRIBO
STIGA PIRIBO	STIGA PIRIBO
STIGA PIRIBO	STIGA PIRIBO
STIGA PIRIBO	STIGA PIRIBO
STIGA PIRIBO	STIGA PIRIBO
STIGA PIRIBO	STIGA PIRIBO
STIGA PIRIBO	STIGA PIRIBO

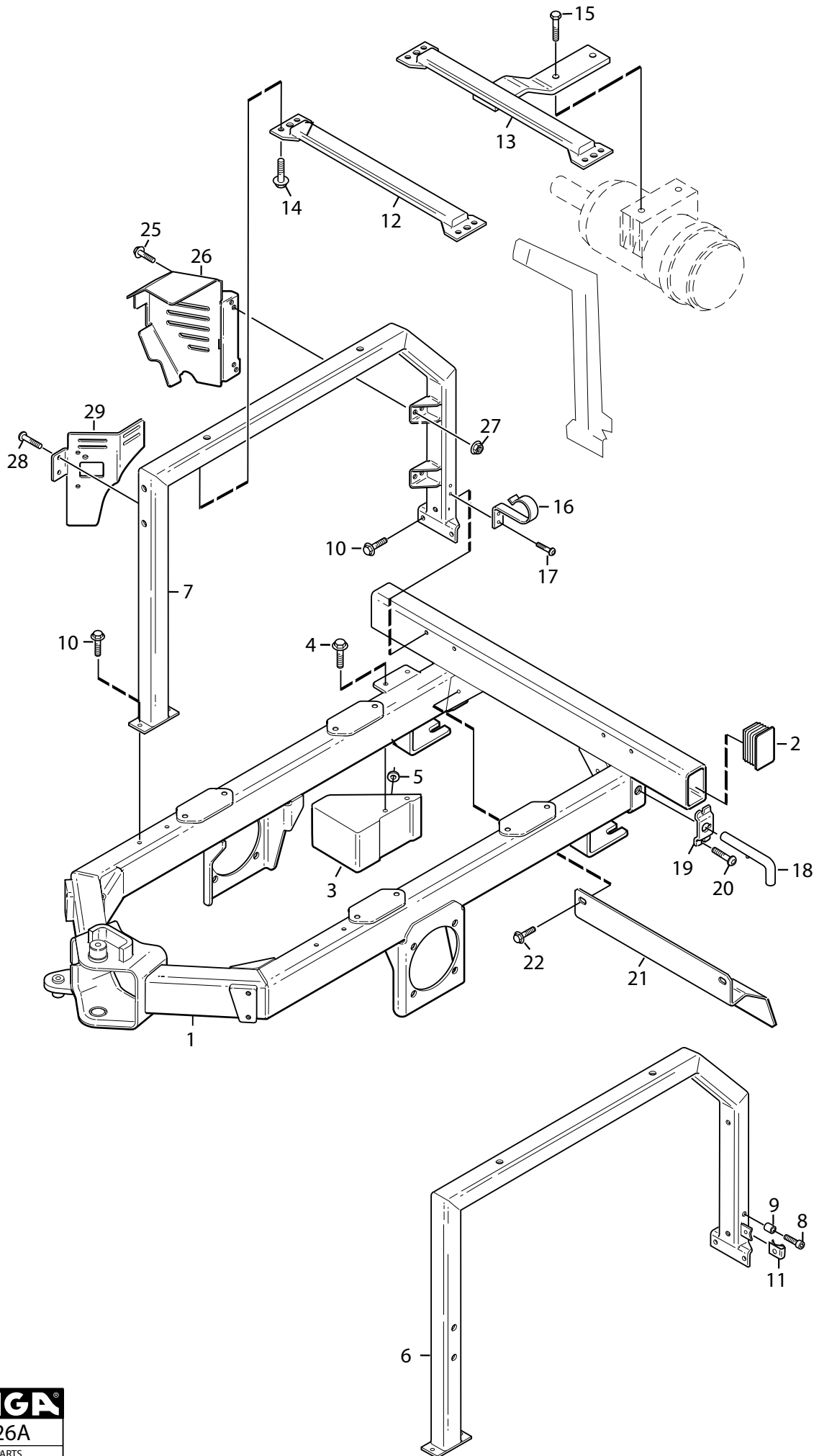
DEKAL KIT  
99

Utgåva Issue		Bildnr Picture No		TITAN KAROSS- BAK			BODY WORK- REAR		Sida Page	
2010- 16		2524A							4	
Pos. Fig.	Antal/Quantity			Art nr Part No	Benämning	Description	Sats Kit	Anmärkning Notes		
	7434 7434	7040 7041 7042								
1	1	1		1134- 7189- 01	Huvsida- vä .....	Hood cover- LH .....				
2	1	1		1134- 7190- 01	Huvsida- hö .....	Hood cover- RH .....				
3	4	4		9405- 0029- 00	Knopp .....	Knob .....				
4	4	4		9632- 0513- 00	Popnit .....	Pop rivet .....		3,2 x 20		
5	4	4		9699- 0120- 02	Bricka .....	Washer .....				
6	1	1		1134- 7199- 01	Huvkåpa- bakre .....	Hood cover- rear .....		Pos 7, 11 - 13 incl.		
7	11	11		1134- 7224- 01	Nit .....	Rivet .....				
8	1	1		1135- 3728- 01	Huvkåpa- främre .....	Hood cover- front .....		Pos 10 - 13		
9	3	3		1135- 3008- 03	Tätninglist .....	Seal strip .....				
10	13	13		085- 044- 01	.Plastnit .....	.Plastic rivet .....				
11	2	2		1134- 9028- 01	.Gummistropp .....	.Rubber loop .....		Kit of 3/sats 3 st		
12	2	2		9632- 0513- 00	.Popnit .....	.Pop rivet .....				
13	4	4		9699- 0120- 02	.Bricka .....	.Washer .....				
14	1	1		1134- 6875- 02	Huvlock .....	Hood cover .....				
15	4	4		9997- 1060- 12	Skruv .....	Screw .....				
16	4	4		9699- 0035- 02	Bricka .....	Washer .....				
17	2	2		1134- 4904- 01	Huvlås kpl. ....	Hood lock kit .....				
19	2	2		1134- 7458- 01	Clips .....	Clips .....				
20	4	4		9893- 0616- 16	Skruv .....	Screw .....				
60	1	1		8211- 0041- 00	Bruksanvisning .....	Owner's manual .....				
60	1	1		8211- 0703- 90	Säkerhetsföreskrifter .....	Safety regulations .....				
60 1	1	1		8211- 0960- 00	Garantikort .....	Warranty card .....				
99	1			1135- 3155- 03	Dekalsats .....	Label kit .....				
99		1		1135- 3155- 04	Dekalsats .....	Label kit .....				



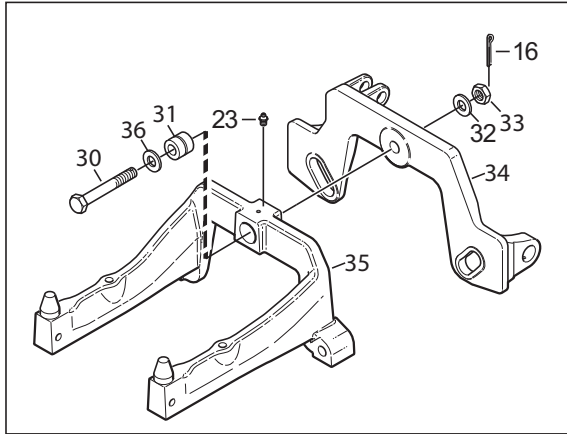
Utgåva Issue		Bildnr Picture No		TITAN RAM-FRAM			FRAME-FRONT		Sida Page	
2010-16		2525A							6	
Pos. Fig.	Antal/Quantity			Art nr Part No	Benämning	Description	Sats Kit	Anmärkning Notes		
	7434 7435	7440 7441 7442								
1	1	1		1135-3191-01	Ram-främre .....	Frame-front .....				
2	1	1		1135-3018-01	Länk kpl.....	Link assy.....				
3	2	2		9501-0500-00	.Smörjnippel.....	.Grease nipple.....				
4	2	2		9547-0002-01	.Ledlager.....	.Bearing.....				
5	2	2		9907-0610-16	.Stoppskruv .....	.Stop screw .....				
6	2	2		1134-6791-01	Bricka .....	Washer.....				
7	3	3		9959-1025-16	Skruv.....	Screw.....				
8	1	1		1134-5406-01	Bricka .....	Washer.....				
9	4	4		9997-0816-16	Skruv.....	Screw.....				
10	1	1		1134-6790-01	Låsbricka.....	Lock washer.....				
11	1	1		9547-0003-01	Ledlager.....	Bearing.....				
12	1	1		1135-2521-01	Durk.....	Floor plate .....				
13	4	4		9893-0616-16	Skruv.....	Screw.....				
14A	1	1		1135-2527-01	Durkmatta.....	Floor mat.....				
14B	1	1		1135-3490-01	Durkmatta.....	Floor mat.....				
15	1	1		1134-7689-01	Hyttfäste- hö .....	Cabin attachment- RH .....				
16	1	1		1135-2523-01	Hyttfäste- vä.....	Cabin attachment- LH.....				
17	4	4		9996-1012-02	Skruv.....	Screw.....				
18	2	2		9996-1075-12	Skruv.....	Screw.....				
19	12	12		9699-0035-02	Bricka .....	Washer.....				
20	6	6		9747-1031-02	Mutter.....	Nut.....				
21	2	2		9403-0057-01	Ändplugg .....	End plug.....				
22	2	2		1135-3188-01	Styrstopp.....	Limiter plate.....				
23	4	4		9924-0820-16	Skruv.....	Screw.....				

w/o cabin/utan hytt  
with cabin/med hytt



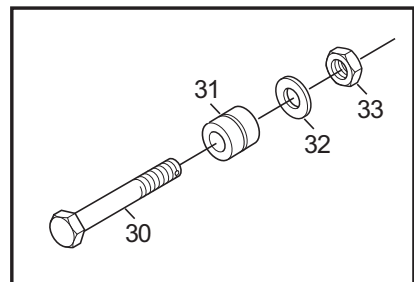
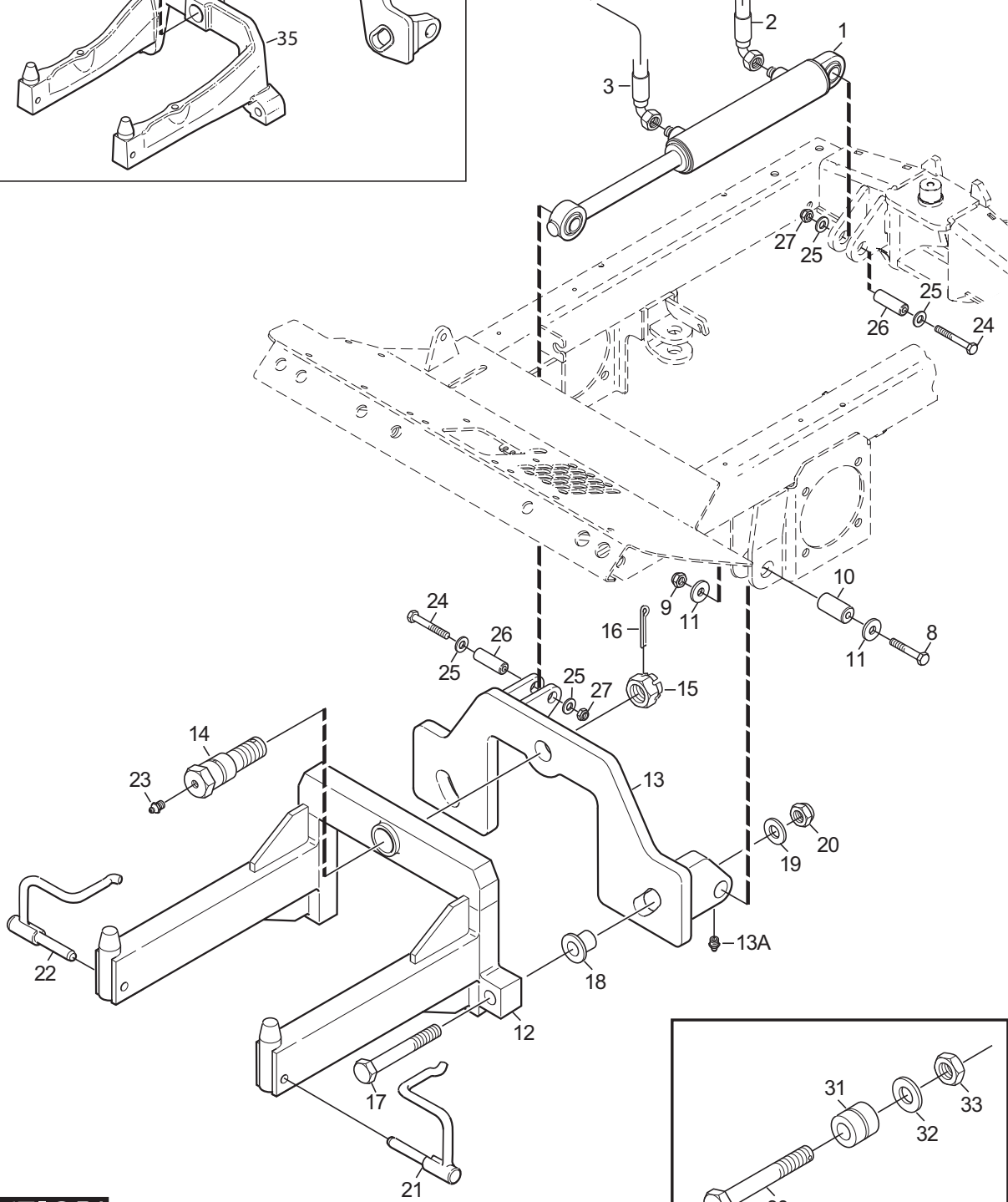


Utgåva Issue		Bildnr Picture No		TITAN RAM-BAKRE			FRAME- REAR		Sida Page	
2010- 16		2526A							8	
Pos. Fig.	Antal/Quantity			Art nr Part No	Benämning	Description	Sats Kit	Anmärkning Notes		
	7434 7435	7440 7441 7442								
1	1	1		1135-3192-01	Ram- bakre .....	Frame- rear.....				
2	2	2		9403-0057-01	Ändavslut.....	End plug.....				
3	1	1		1134-7399-01	Fäste- eluttag .....	Bracket.....				
4	2	2		9945-0825-16	Skruv.....	Screw.....				
5	1	1		9403-0056-01	Kabelgenomföring .....	Grommet.....				
6	1	1		1135-3747-01	Ram- vä .....	Frame- LH .....				
7	1	1		1135-3748-01	Ram- hö .....	Frame- RH .....				
8	2	2		9939-1020-16	Skruv.....	Screw.....				
9	2	2		1134-0041-10	Hylsa .....	Collar .....				
10	8	8		9945-0816-16	Skruv.....	Screw.....				
11	2	2		1134-4176-01	Clips .....	Clips.....				
12	1	1		1134-6873-01	Tvärstag- främre .....	Strut- front .....				
13	1			1134-7443-01	Tvärstag- bakre .....	Strut- rear.....				
13		1		1135-2533-01	Tvärstag- bakre .....	Strut- rear.....				
14	8	8		9959-0816-16	Skruv.....	Screw.....				
15	2	2		9997-0816-16	Skruv.....	Screw.....				
16	1	1		1134-7459-01	Slanghållare.....	Tube holder .....				
17	2	2		9893-0616-16	Skruv.....	Screw.....				
18	2	2		1134-7525-01	Sprint.....	Pin .....				
19	2	2		1134-7523-01	Låshållare .....	Pin holder .....				
20	4	4		9943-0612-16	Skruv.....	Screw.....				
21	1	1		1134-7522-01	Värmskydd.....	Heat guard .....				
22	2	2		9945-0816-16	Skruv.....	Screw.....				
25	2	2		9959-0820-16	Skruv.....	Screw.....				
26	1	1		1135-3707-01	Remskydd .....	Belt guard .....				
27	2	2		9739-0831-22	Mutter.....	Nut.....				
28	2	2		9893-0616-16	Skruv.....	Screw.....				
29	1	1		1135-3699-01	Fläktskydd .....	Fan guard.....				

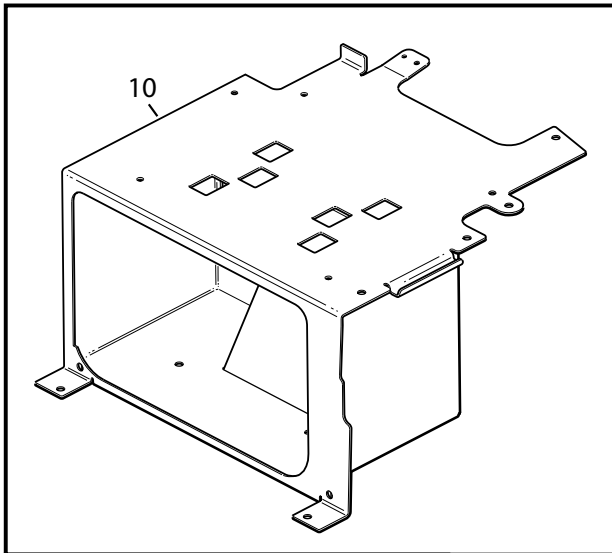


2531:4 (32H)  
2388:4 (26H)

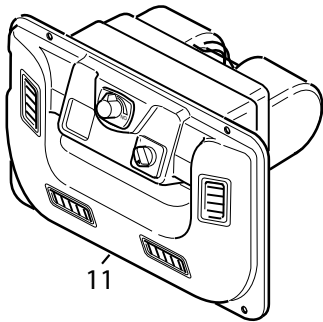
2531:3 (32H)  
2388:3 (26H)



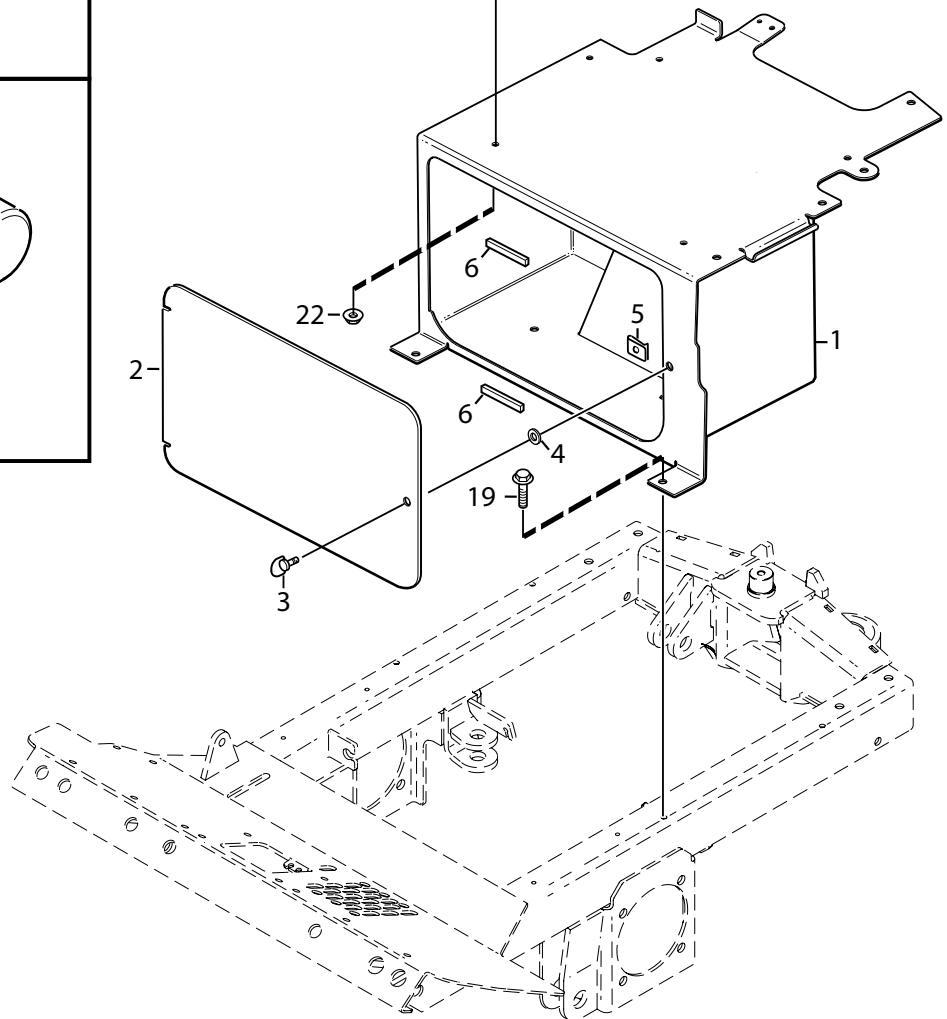
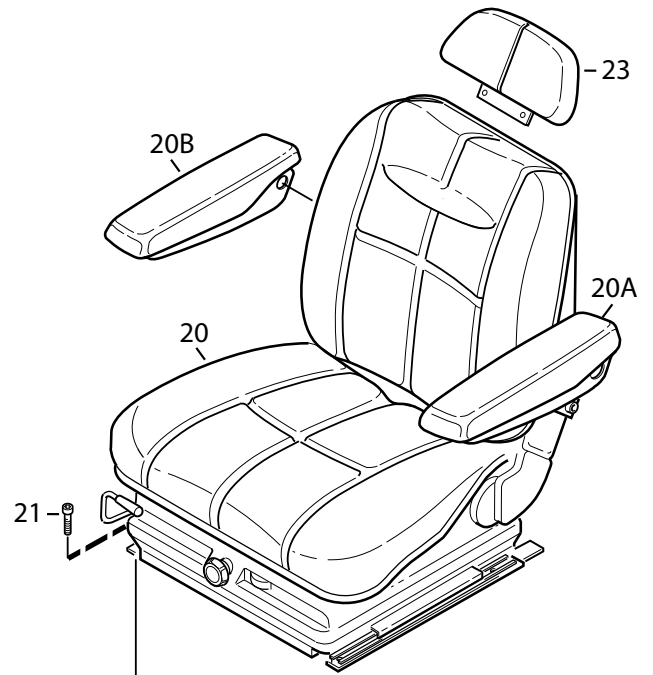
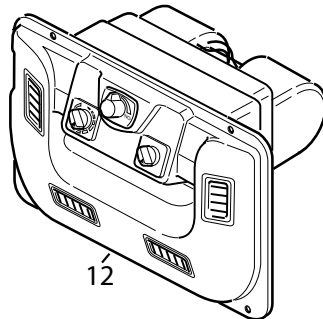
Utgåva Issue 2010- 16		Bildnr Picture No 2330B		TITAN REDSKAPSLYFT LIFTING DEVICE			Sida Page 10		
Pos. Fig.	Antal/Quantity				Art nr Part No	Benämning	Description	Sats Kit	Anmärkning Notes
	7434 7435	7440 7441 7442							
1	1	1			1134-6801-01	Lyftcylinder .....	Lift cylinder .....		Stroke/slaglängd 120 mm            20" wheels/hjul 23" wheels/hjul            M20 x 120  21 x 52 x 8 M20 20" wheels/hjul 20" wheels/hjul
1A	1	1			1139-2083-01	Tätningssats .....	Seal kit .....		
2	1	1			1134-7143-01	Hydraulslang 1/4" .....	Hydraulic tube 1/4" .....		
3	1	1			1135-2910-01	Hydraulslang 1/4" .....	Hydraulic tube 1/4" .....		
8	2	2			9997-1070-12	Skruv .....	Screw .....		
9	2	2			9747-1031-02	Mutter .....	Nut .....		
10	2	2			1134-6991-01	Sprint .....	Pin .....		
11	4	4			1134-5406-01	Bricka .....	Washer .....		
12	1				1134-7657-01	Redskapsfäste .....	Accessory attachment .....		
12		1			1134-7658-01	Redskapsfäste .....	Accessory attachment .....		
13	1	1			1134-7659-01	Plåt för redskapsfäste .....	Plate .....		
13A	2	2			9501-0500-00	.Smörjnippel .....	.Grease nipple .....		
14	1	1			1134-6990-01	Tiltaxel .....	Shaft .....		
15	1	1			9781-3031-02	Kronmutter .....	Nut .....		
16	1	1			9599-0116-02	Saxpinne .....	Cotter pin .....		
17	2	2			9997-1690-12	Skruv .....	Screw .....		
18	2	2			1134-7204-01	Ansatsbricka .....	Shoulder washer .....		
19	2	2			1134-7205-01	Bricka .....	Washer .....		
20	2	2			9747-1631-02	Mutter .....	Nut .....		
21	1	1			1134-7494-01	Låssprint- vä .....	Lock pin- LH .....		
22	1	1			1134-7494-02	Låssprint- hö .....	Lock pin- RH .....		
23	1	1			9501-0500-00	Smörjnippel .....	Grease nipple .....		
24	2	2			9997-0855-12	Skruv .....	Screw .....		
25	4	4			9699-0056-02	Bricka .....	Washer .....		
26	2	2			1134-7557-01	Axel .....	Shaft .....		
27	2	2			9747-0831-02	Mutter .....	Nut .....		
30	1	1			1135-3306-01	Skruv .....	Screw .....	M20 x 120	
31	1	1			1135-3055-01	Bussning .....	Bushing .....		
32	1	1			9690-0002-02	Bricka .....	Washer .....	21 x 52 x 8	
33	1	1			9747-2031-02	Mutter .....	Nut .....	M20	
34	1	1			1135-3003-01	Bakstycke .....	Rear plate .....	20" wheels/hjul	
35	1	1			1135-3002-01	Redskapsfäste .....	Accessory attachment .....	20" wheels/hjul	
36	1	1			9699-0002-02	Bricka .....	Washer .....		



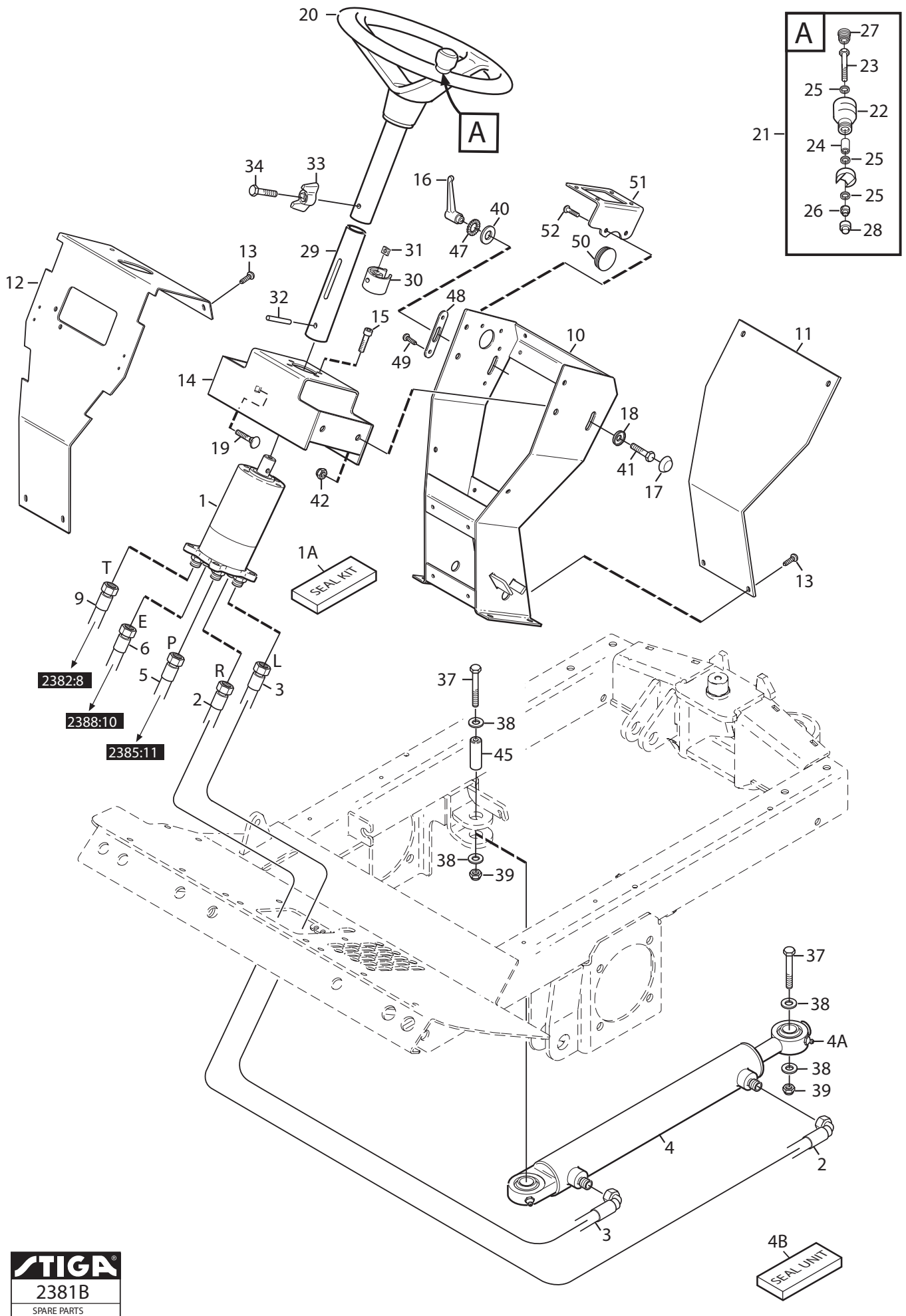
Värme/heat



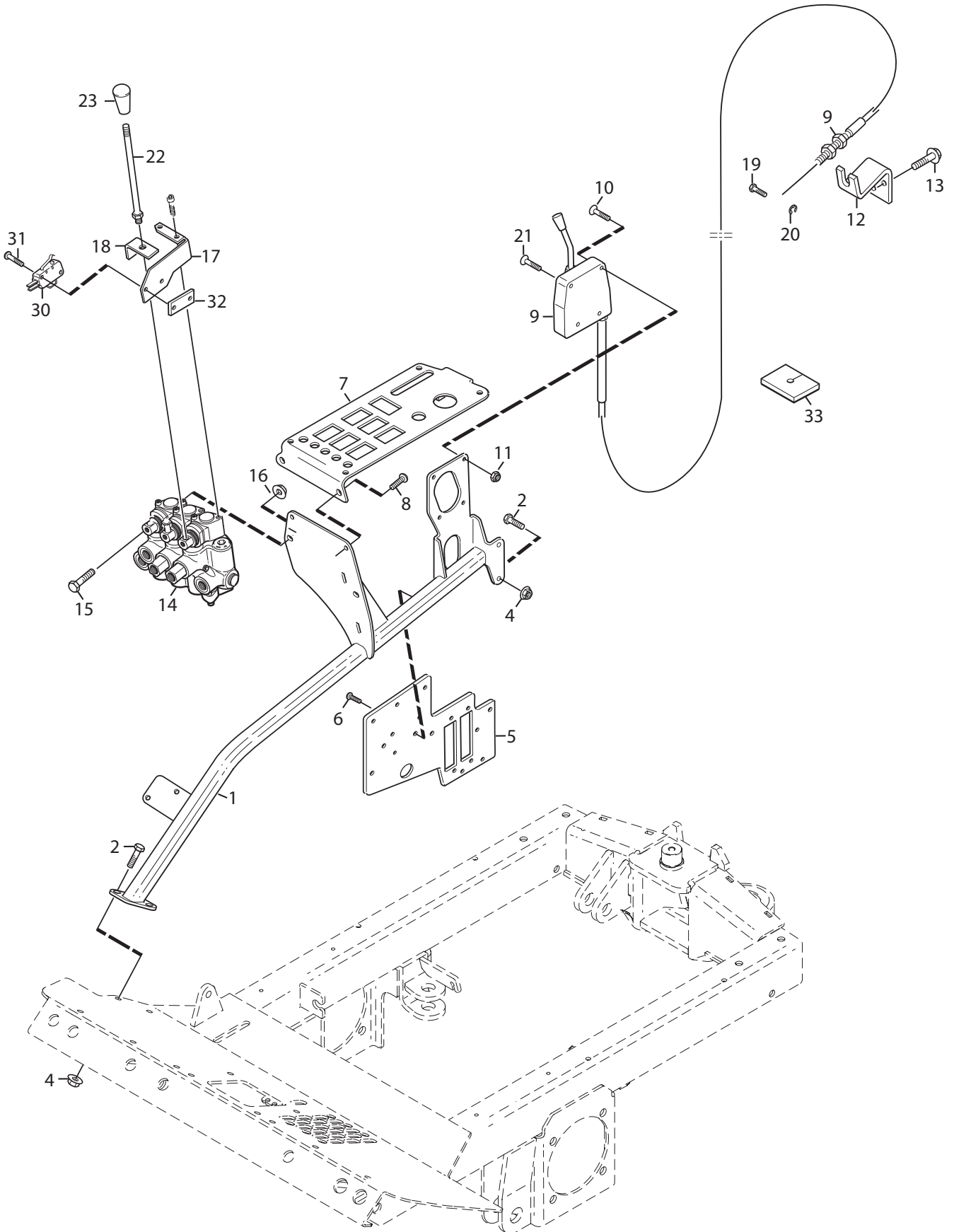
Värme+AC/heat+AC



Utgåva Issue		Bildnr Picture No		TITAN SITS			SEAT		Sida Page	
2010- 16		2520A							12	
Pos. Fig.	Antal/Quantity			Art nr Part No	Benämning	Description	Sats Kit	Anmärkning Notes		
	7434 7435	7440 7441 7442								
1	1	1		1135-2519-03	AC- låda (svart).....	AC- box (black) .....		w/o cabin/utan hytt		
2	1	1		1135-2831-02	Frontlucka (svart) .....	Front cover (black).....		w/o cabin/utan hytt		
3	1	1		1134-7456-01	Vridtapp.....	Fastener .....		w/o cabin/utan hytt		
4	1	1		1134-7457-01	Bricka .....	Washer.....		w/o cabin/utan hytt		
5	1	1		1134-7458-01	Clips .....	Clips .....		w/o cabin/utan hytt		
6	1	1		1135-3343-01	Tätninglist.....	Sealing strip .....		w/o cabin/utan hytt		
10	1	1		1135-2519-02	AC- låda m hål .....	AC- box with holes .....		with cabin/med hytt		
11	1	1		1135-2943-01	Värmepaket .....	Heating system .....		with cabin/med hytt		
12	1	1		1135-2942-01	Värmepaket + AC .....	Heating system + AC.....		with cabin/med hytt		
19	4	4		9945-0816-16	Skruv.....	Screw.....				
20	1	1		1134-7215-01	Sits kpl .....	Seat assy.....				
20A	1	1		1134-7532-01	.Armstöd- vä.....	.Arm rest- LH .....				
20B	1	1		1134-7532-02	.Armstöd- hö.....	.Arm rest- RH .....				
21	4	4		9930-0820-16	Skruv .....	Screw.....				
22	4	4		9739-0831-22	Mutter.....	Nut.....				
23	1	1		1134-7258-01	Nackstöd .....	Neck support.....				

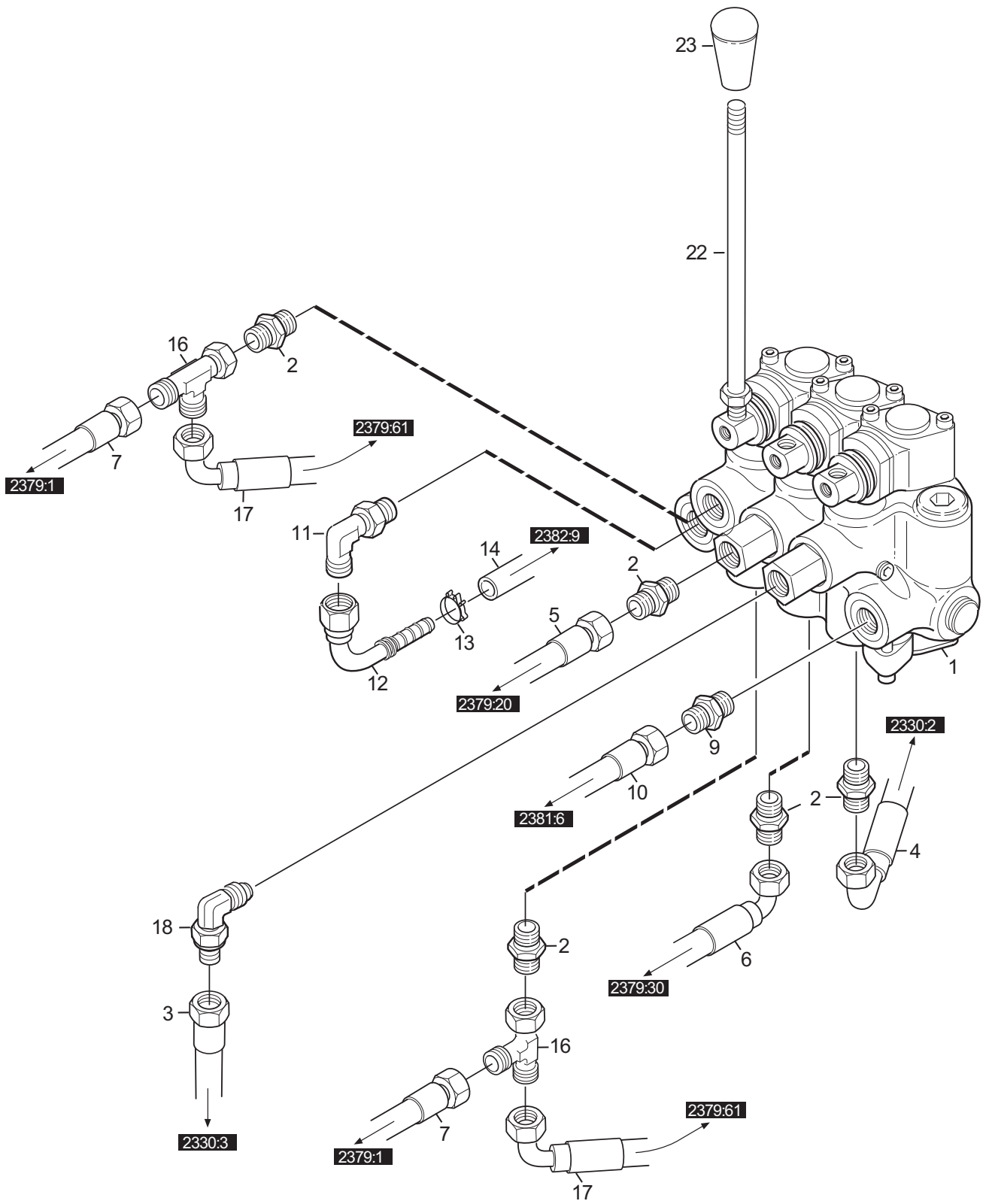


Utgåva Issue		Bildnr Picture No		TITAN STYRNING			STEERING		Sida Page	
2010- 16		2381B							14	
Pos. Fig.	Antal/Quantity			Art nr Part No	Benämning	Description	Sats Kit	Anmärkning Notes		
	7434 7435	7440 7441 7442								
1	1	1		1134-7214-01	Styrervo.....	Steering booster .....				
1A	1	1		1139-2081-01	.Tätningssats .....	.Seal kit .....				
2	1	1		1134-7138-01	Hydraulslang 1/4".....	Hydraulic tube 1/4" .....				
3	1	1		1134-7137-01	Hydraulslang 1/4".....	Hydraulic tube 1/4" .....				
4	1	1		1134-6800-01	Styrcylinder .....	Steering cylinder .....				
4A	1	1		9501-0500-00	.Smörjnippel.....	.Grease nipple .....				
5	1	1		1134-7135-01	Hydraulslang 3/8".....	Hydraulic tube 3/8" .....				
6	1	1		1134-7139-01	Hydraulslang 3/8".....	Hydraulic tube 3/8" .....				
9	1	1		1135-3623-06	Hydraulslang .....	Hydraulic tube .....		3/8"		
10	1	1		1135-2823-01	Styrkonsol .....	Steering bracket.....				
11	1	1		1134-7198-01	Bakstycke .....	Rear plate.....				
12	1	1		1134-6881-01	Plåt, främre.....	Front plate.....		w/o cabin/utan hytt		
12	1	1		1134-7757-03	Plåt, främre.....	Front plate.....		with cabin/med hytt		
13	8	8		9893-0616-16	Skruv .....	Screw .....				
14	1	1		1134-6995-01	Fäste- styrservo .....	Bracket.....				
15	4	4		9959-0620-16	Skruv .....	Screw .....				
16	1	1		1134-7123-01	Låsspak .....	Locking lever.....				
17	3	3		9403-0053-01	Hatt.....	Cover cap.....				
18	3	3		9403-0052-01	Hattbricka .....	Cap ring .....				
19	1	1		9897-0825-16	Skruv .....	Screw .....				
20	1	1		1134-5173-02	Ratt kpl.....	Steering wheel assy .....				
21	1	1		1134-3769-01	.Styrknopp kpl .....	.Steering knob.....				
22	1	1		1134-3752-01	..Knoppfäste .....	..Knob holder .....				
23	1	1		9997-0870-16	..Skruv .....	..Screw .....				
24	1	1		1134-1565-06	..Distans .....	..Spacer.....				
25	3	3		9699-0090-02	..Bricka .....	..Washer.....				
26	1	1		9747-0831-02	..Mutter.....	..Nut .....				
27	1	1		9403-0043-70	..Ändplugg.....	..End plug.....				
28	1	1		9403-0113-00	..Mutterhatt.....	..Nut cap .....				
29	1	1		1134-5216-01	Rattrör- inre .....	Steering tube- inner.....				
30	1	1		1134-5177-01	..Slid .....	..Slide.....				
31	1	1		9710-0631-12	..Fyrkantmutter .....	..Square nut .....				
32	1	1		9595-0262-00	Spännstift .....	Locating pin .....		6 x 36		
33	1	1		1134-4481-02	Vingmutter.....	Wing nut .....				
34	1	1		9997-0630-12	Skruv .....	Screw .....				
37	2	2		9997-0855-12	Skruv .....	Screw .....				
38	4	4		9699-0056-02	Bricka .....	Washer.....				
39	2	2		9747-0831-02	Mutter.....	Nut .....				
40	1	1		9699-0090-02	Bricka .....	Washer.....				
41	3	3		9997-0820-16	Skruv .....	Screw .....				
42	3	3		9747-0831-02	Mutter.....	Nut .....				
45	1	1		1134-7557-01	Axel .....	Shaft .....				
47	1	1		9678-0009-02	Låsbricka .....	Lock washer.....				
48	1	1		1135-2514-01	Slitplåt .....	Wear plate .....				
49	2	2		9893-0616-16	Skruv .....	Screw .....				
50	1	1		9403-0055-01	Blindpropp.....	Plug .....				
51	1	1		1134-7409-01	Konsol .....	Bracket.....		with cabin/med hytt		
52	2	2		9893-0616-16	Skruv .....	Screw .....		with cabin/med hytt		

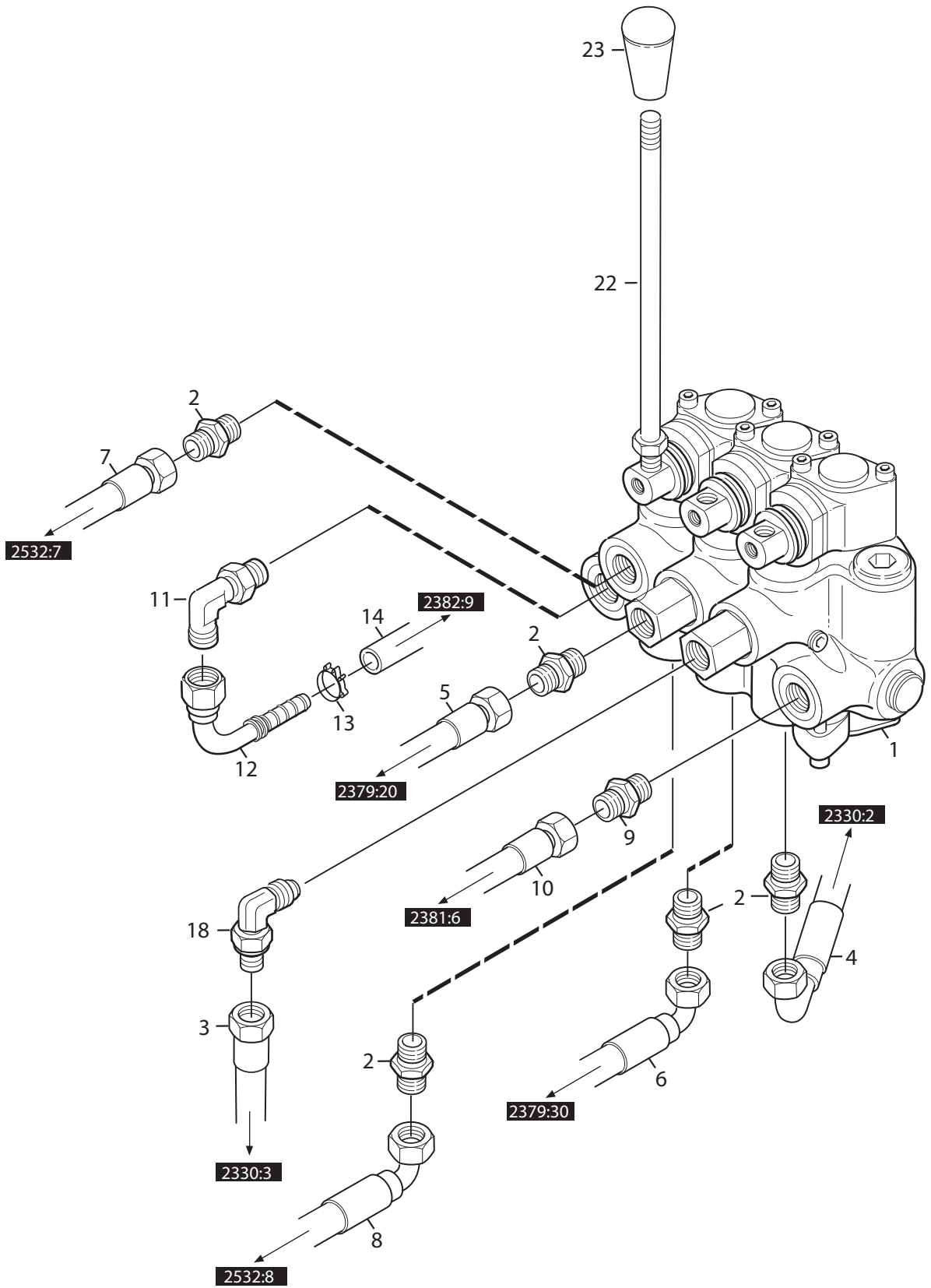




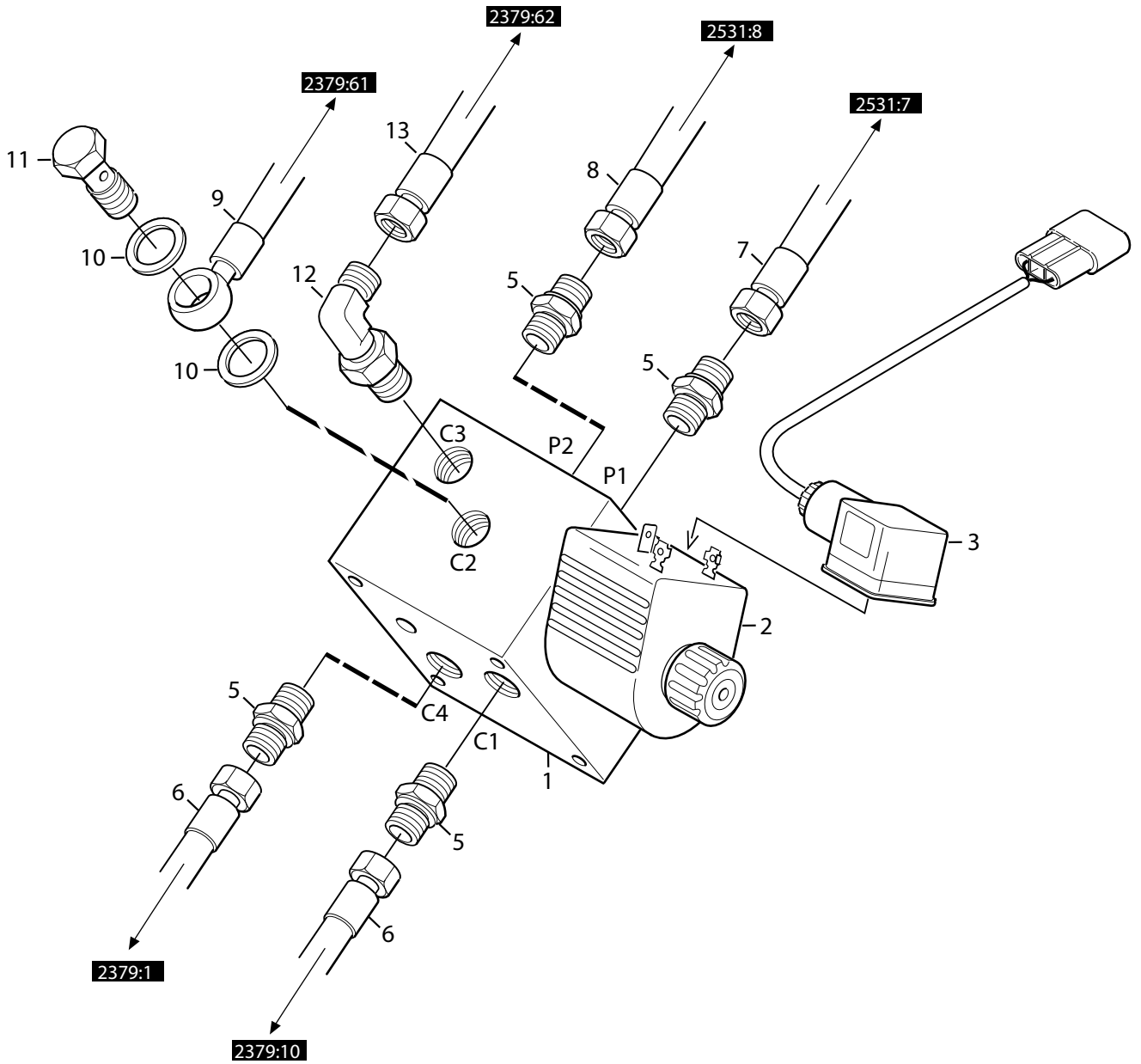
Utgåva Issue		Bildnr Picture No		TITAN HANDREGLAGE HAND CONTROLS			Sida Page	
2010- 16		2391A					16	
Pos. Fig.	Antal/Quantity			Art nr Part No	Benämning	Description	Sats Kit	Anmärkning Notes
	7434 7435	7440 7441 7442						
1	1	1		1135-2577-01	Reglagefäste.....	Control attachment .....		
2	4	4		9959-0820-16	Skruv.....	Screw.....		
4	4	4		9739-0831-22	Mutter.....	Nut.....		
5	1	1		1135-2599-01	Samlingsplåt.....	Collecting plate .....		
6	2	2		9893-0616-16	Skruv.....	Screw.....		
7	1	1		1134-7698-01	Instrumentpanel .....	Dashboard .....		
8	3	3		9959-0616-16	Skruv.....	Screw.....		
9	1			1134-7257-03	Gasreglage.....	Throttle control .....		L = 2170
9		1		1134-7257-04	Gasreglage.....	Throttle control .....		L = 2610
10	1	1		9950-0530-16	Skruv.....	Screw.....		
11	1	1		9747-0531-02	Mutter.....	Nut.....		
12	1			1135-3062-01	Fäste.....	Bracket.....		
12		1		1135-2531-01	Fäste.....	Bracket.....		
13	2	2		9959-0612-16	Skruv.....	Screw.....		
14	1	1		1135-3278-01	Handspaksventil .....	Hydraulic valve.....		
15	2	2		9997-0650-12	Skruv.....	Screw.....		
16	2	2		9739-0631-22	Mutter.....	Nut.....		
17	1	1		1134-7474-01	Brytarhållare .....	Switch bracket .....		
18	1	1		1135-3127-01	Brytararm .....	Switch lever .....		
19	1	1		9997-0416-16	Skruv.....	Screw.....		
20	1	1		9652-0007-04	Spårryttare .....	Circlip.....		
21	3	3		9946-0525-16	Skruv.....	Screw.....		
22	3	3		1135-2497-01	Spak .....	Lever.....		
23	3	3		1135-2498-01	Knopp.....	Knob.....		
30	1	1		9400-0312-01	Mikrobrytare.....	Micro switch .....		
31	2	2		082-721-01	Skruv.....	Screw.....		
32	1	1		531-340-01	Mutterfäste.....	Nut plate .....		
33	1	1		1135-3058-01	Tätningsskiva.....	Seal plate .....		90 x 70 x 9



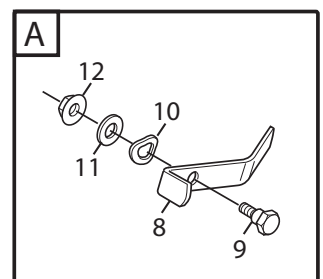
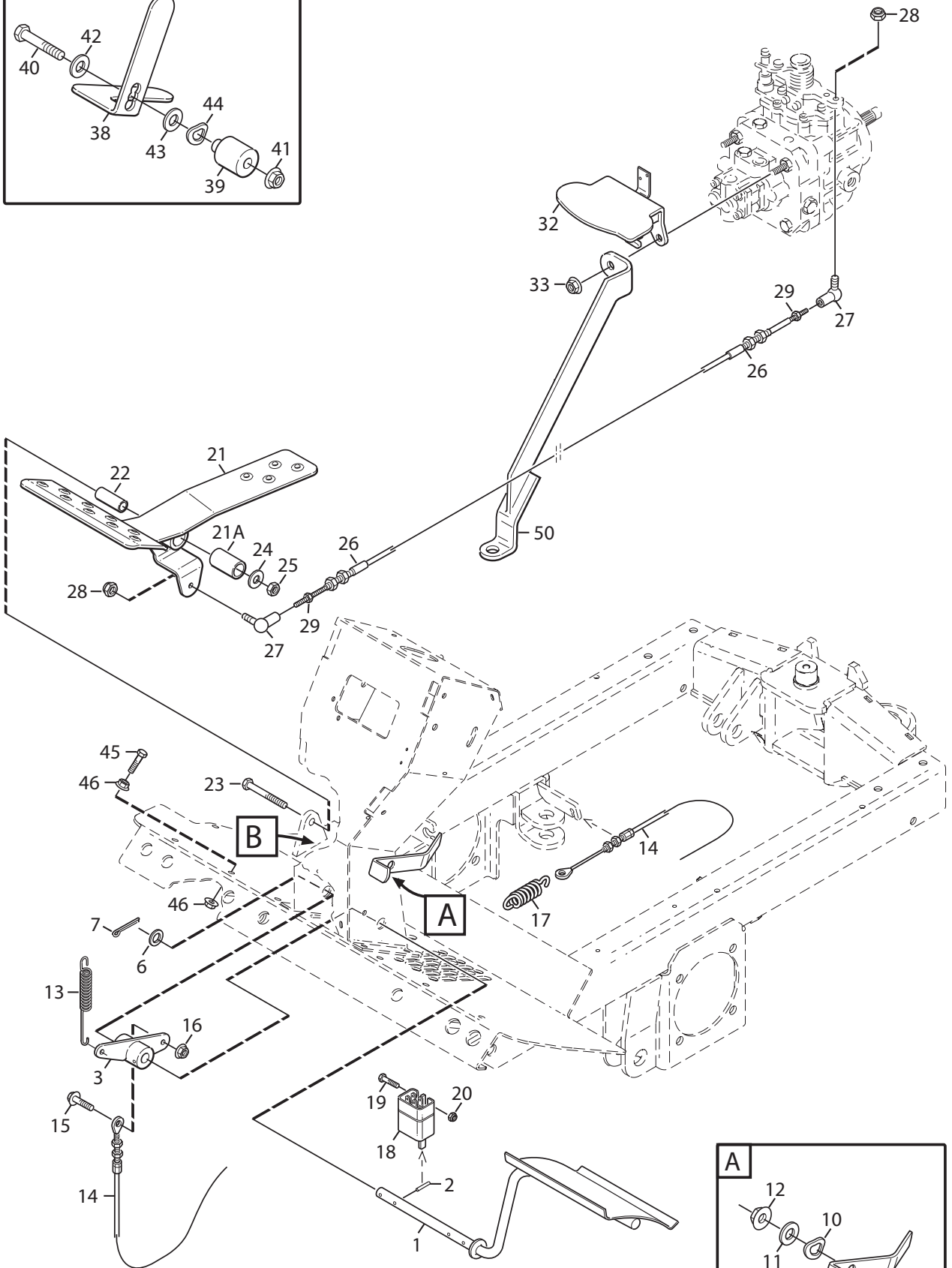
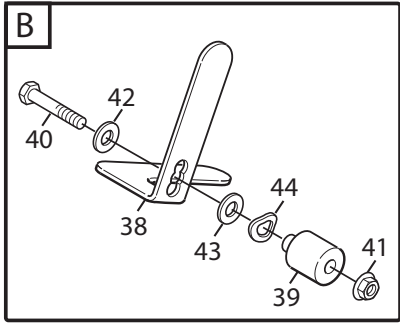
Utgåva Issue		Bildnr Picture No		TITAN 26H HANDSPAKSVENTIL			HYDRAULIC VALVE		Sida Page	
2010- 16		2388B							18	
Pos. Fig.	Antal/Quantity				Art nr Part No	Benämning	Description	Sats Kit	Anmärkning Notes	
	7434	7435								
1	1				1135-3278-01 Handspaksventil .....	Hydraulic valve.....				
2	6				1134-7165-01 Adapter.....	Hydraulic connector.....				
3	1				1135-2910-01 Hydraulslang 1/4".....	Hydraulic tube 1/4".....				
4	1				1134-7143-01 Hydraulslang 1/4".....	Hydraulic tube 1/4".....				
5	1				1134-7146-01 Hydraulslang 1/4".....	Hydraulic tube 1/4".....				
6	1				1134-7145-01 Hydraulslang 1/4".....	Hydraulic tube 1/4".....				
7	2				1134-7147-01 Hydraulslang 1/4".....	Hydraulic tube 1/4".....				
9	1				1134-7156-01 Adapter.....	Hydraulic connector.....				
10	1				1134-7139-01 Hydraulslang 3/8".....	Hydraulic tube 3/8".....				
11	1				1134-7073-01 Komp.vinkel.....	Angle couplng.....				
12	1				1134-7444-01 Slangstolpe.....	Tube coupling.....				
13	1				9578-0023-04 Slangklämna.....	Hose clamp.....				
14	1				1134-7140-05 Hydraulslang (L=1200).....	Hydraulic tube (L=1200).....			Use/anv 1134-7140-03	
16	2				1134-7455-01 T- koppling.....	T- coupling.....				
17	2				1134-7148-01 Hydraulslang 1/4".....	Hydraulic tube 1/4".....				
18	1				1135-2906-01 Vinkelstrypnippel.....	Angle connection.....				
22	3				1135-2497-01 Spak.....	Lever.....				
23	3				1135-2498-01 Knopp.....	Knob.....				



Utgåva Issue		Bildnr Picture No		TITAN 32H HANDSPAKSVENTIL		HYDRAULIC VALVE		Sida Page	
2010- 16		2531						20	
Pos. Fig.	Antal/Quantity				Art nr Part No	Benämning	Description	Sats Kit	Anmärkning Notes
	7440	7441	7442						
1	1				1135-3278-01 Handspaksventil .....	Hydraulic valve.....			
2	5				1134-7165-01 Adapter .....	Hydraulic connector .....			
3	1				1135-2910-01 Hydraulslang 1/4" .....	Hydraulic tube 1/4" .....			
4	1				1134-7143-01 Hydraulslang 1/4" .....	Hydraulic tube 1/4" .....			
5	1				1134-7146-01 Hydraulslang 1/4" .....	Hydraulic tube 1/4" .....			
6	1				1134-7145-01 Hydraulslang 1/4" .....	Hydraulic tube 1/4" .....			
7	1				1135-2967-01 Hydraulslang 1/4" .....	Hydraulic tube 1/4" .....			
8	1				1134-7142-01 Hydraulslang 1/4" .....	Hydraulic tube 1/4" .....			
9	1				1134-7156-01 Adapter .....	Hydraulic connector .....			
10	1				1134-7139-01 Hydraulslang 3/8" .....	Hydraulic tube 3/8" .....			
11	1				1134-7073-01 Komp.vinkel .....	Angle coupling .....			
12	1				1134-7444-01 Slangstolpe .....	Tube coupling .....			
13	1				9578-0023-04 Slangklämma .....	Hose clamp .....			
14	1				1134-7140-05 Hydraulslang (L=1200) .....	Hydraulic tube (L=1200) .....			Use/anv 1134-7140-03
18	1				1135-2906-01 Vinkelstrypnippel .....	Angle connection .....			
22	3				1135-2497-01 Spak .....	Lever .....			
23	3				1135-2498-01 Knopp .....	Knob .....			

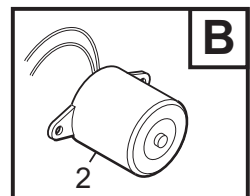
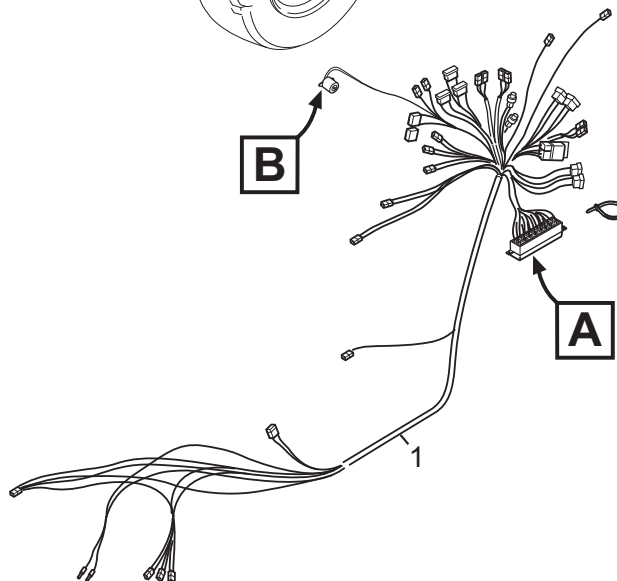
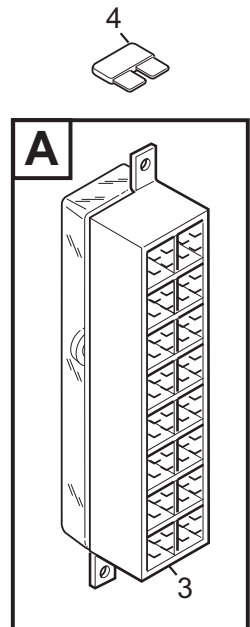
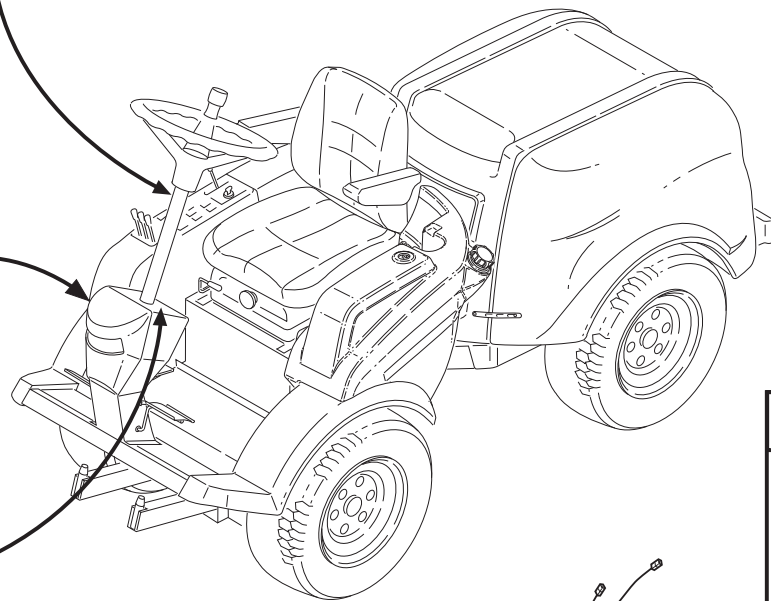
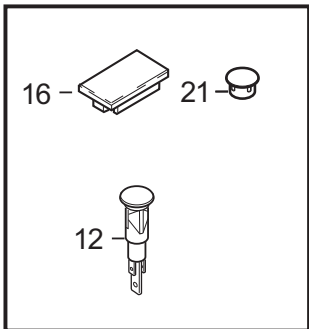
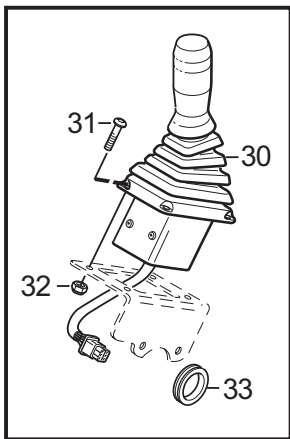
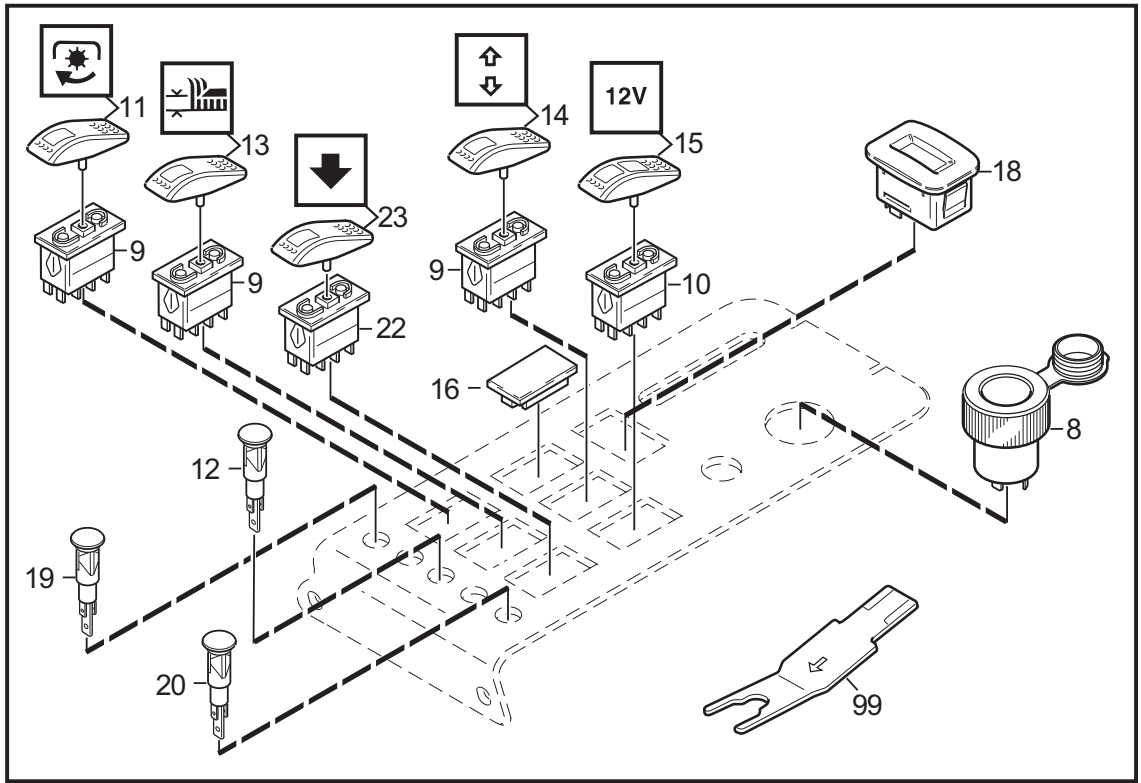


Utgåva Issue		Bildnr Picture No		TITAN 32H VÄLJARVENTIL SELECTOR VALVE			Sida Page		
2010-16		2532					22		
Pos. Fig.	Antal/Quantity				Art nr Part No	Benämning	Description	Sats Kit	Anmärkning Notes
	7440	7441	7442						
1	1				1135-2538-01	Väljarventil kpl .....	Selector valve .....		
2	1				1139-2097-01	.Elventil .....	.Electric valve .....		
3	1				1134-7225-01	Kablage .....	Harness .....		
5	1				1134-7165-01	Adapter .....	Hydraulic connector .....		
6	2				1135-2700-01	Hydraulslang 1/4" .....	Hydraulic tube 1/4" .....		
7	1				1135-2967-01	Hydraulslang 1/4" .....	Hydraulic tube 1/4" .....		
8	1				1134-7142-01	Hydraulslang 1/4" .....	Hydraulic tube 1/4" .....		
9	1				1135-2702-01	Hydraulslang 1/4" .....	Hydraulic tube 1/4" .....		
10	1				1134-4948-01	Tredobricka .....	Seal washer .....		
11	1				1135-2704-01	Banjoskruv .....	Banjo bolt .....		
12	1				1135-2703-01	Vinkeladapter .....	Angle connector .....		
13	1				1135-2701-01	Hydraulslang 1/4" .....	Hydraulic tube 1/4" .....		

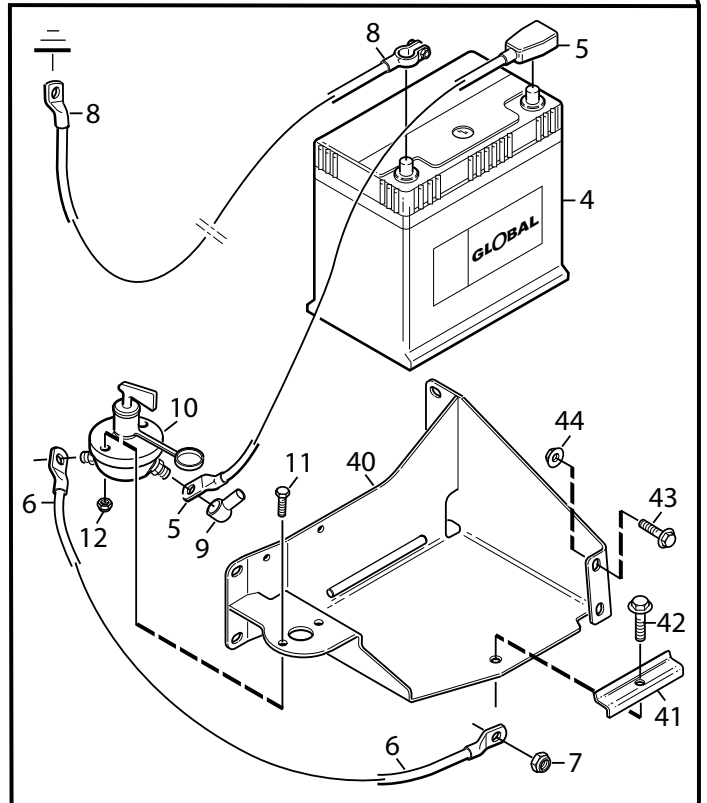
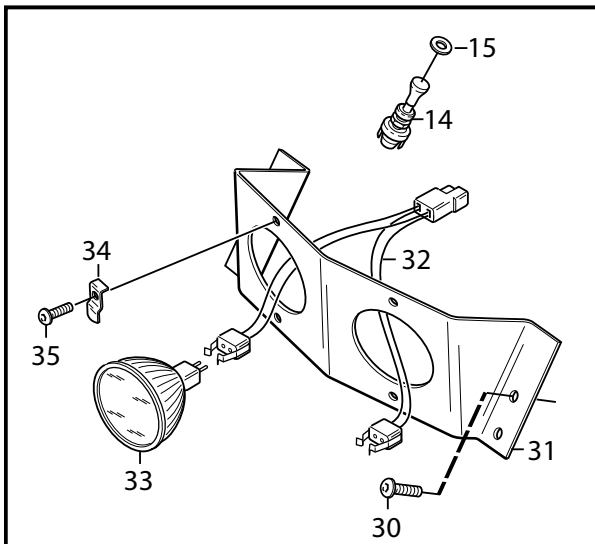
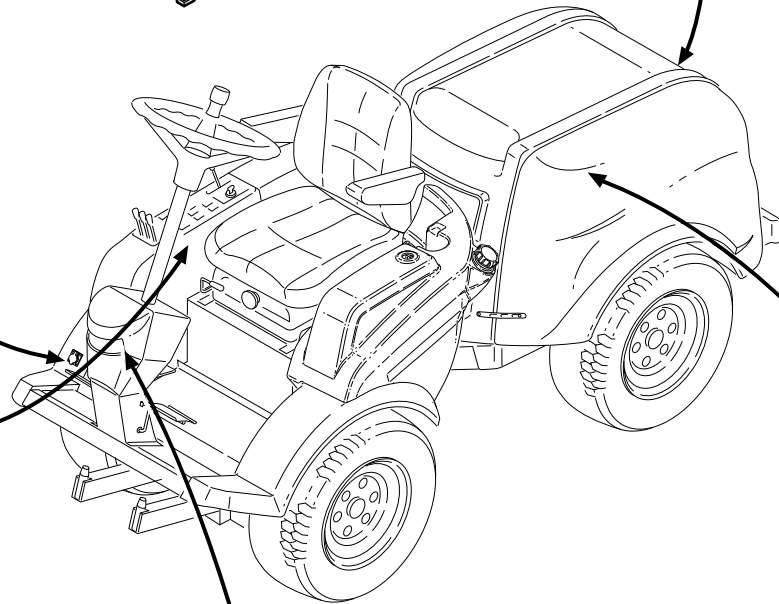
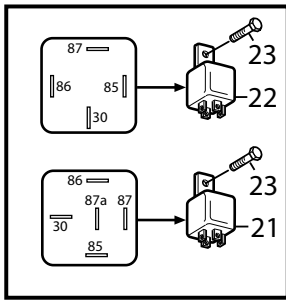
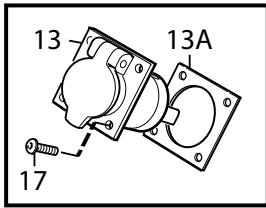
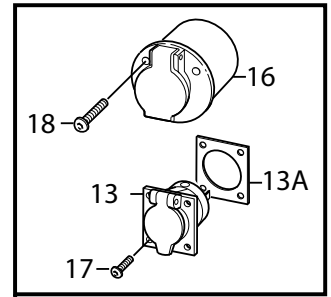
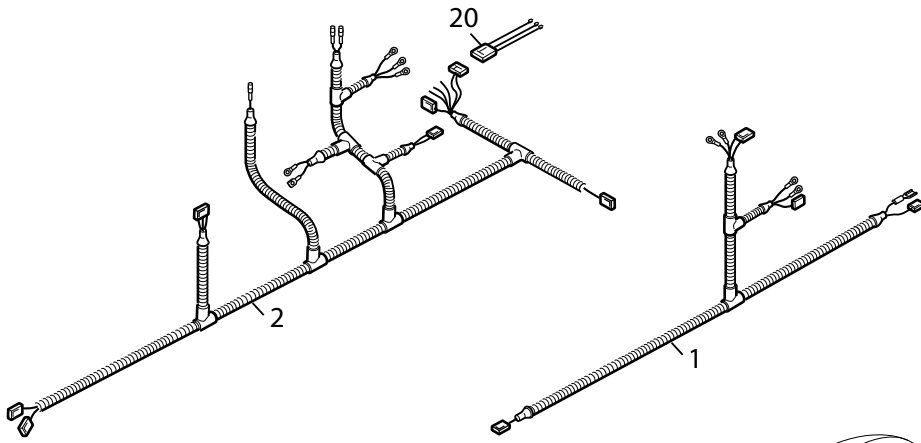




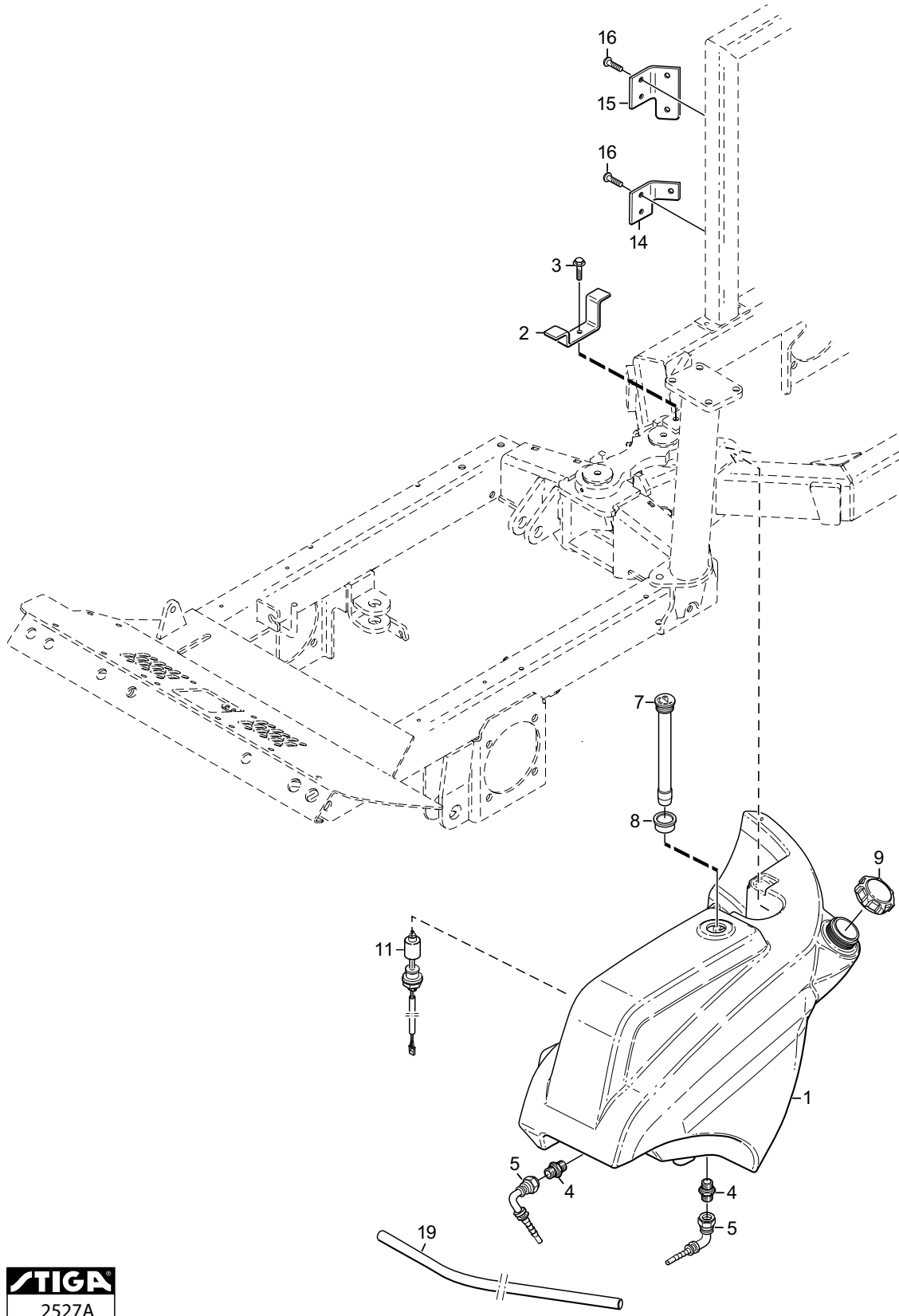
Utgåva Issue 2010- 16		Bildnr Picture No 2373A		TITAN FOTREGLAGE FOOT CONTROLS			Sida Page 24	
Pos. Fig.	Antal/Quantity			Art nr Part No	Benämning	Description	Sats Kit	Anmärkning Notes
	7434 7435	7440 7441 7442						
1	1	1		1134-7267-02	Bromspedal .....	Brake pedal .....		
2	3	3		9595-0210-00	Spännstift .....	Locating pin .....		
3	1	1		1135-2820-01	Bromsarm .....	Brake lever .....		
6	1	1		9699-0036-02	Bricka .....	Washer .....		
7	1	1		9599-0080-02	Saxpinne.....	Cotter pin .....		
8	1	1		1134-7265-01	Bromsspärr .....	Brake lock .....		
9	1	1		1134-0240-01	Ansatsbult .....	Shoulder bolt .....		
10	1	1		9694-0001-00	Fjäderbricka .....	Spring washer .....		
11	1	1		1134-4242-01	Distansbricka.....	Spacer washer .....		
12	1	1		9747-0831-02	Mutter .....	Nut .....		
13	1	1		1134-7401-01	Fjäder.....	Spring .....		
14	2	2		1134-7281-01	Bromswire.....	Brake cable .....		
15	1	1		9997-0525-16	Skruv.....	Screw.....		
16	1	1		9747-0531-02	Mutter.....	Nut .....		
17	2	2		1135-3307-01	Dragfjäder.....	Tow spring .....		
18	1	1		1134-3399-01	Brytare.....	Switch .....		
19	2	2		9997-0520-16	Skruv.....	Screw.....		
20	2	2		9747-0531-02	Mutter.....	Nut .....		
21	1	1		1134-7216-01	Fartpedal kpl.....	Drive pedal .....		
21A	1	1		9548-0027-01	.Glidlager .....	.Bearing.....		
22	1	1		1134-7217-01	Distans .....	Spacer .....		
23	1	1		9997-1050-12	Skruv.....	Screw.....		
24	1	1		9699-0030-02	Bricka .....	Washer.....		
25	1	1		1134-4775-01	Mutter.....	Nut .....		
26	1	1		1134-7054-01	Reglagekabel .....	Control cable.....		
27	2	2		9570-0004-00	Vinkellänk .....	Elbow link .....		
28	2	2		9747-0631-02	Mutter.....	Nut .....		
29	2	2		9739-0631-22	Mutter.....	Nut .....		
32	1	1		1135-3911-01	Farthållarplåt.....	Speed control plate .....		
33	2	2		9747-1031-02	Mutter.....	Nut .....		
38	1	1		1134-7593-01	Fartpedalspärr .....	Drive pedal stop .....		
39	1	1		1134-7594-01	Distans .....	Spacer.....		
40	1	1		9997-0845-12	Skruv.....	Screw.....		
41	1	1		9739-0831-22	Mutter.....	Nut .....		
42	1	1		9699-0062-02	Bricka .....	Washer.....		
43	1	1		9695-0011-00	Bricka .....	Washer.....		
44	1	1		9694-0001-00	Fjäderbricka .....	Spring washer .....		
45	1	1		9997-0835-16	Skruv.....	Screw.....		
46	2	2		9739-0831-22	Mutter.....	Nut .....		
50	1	1		1135-2706-01	Momentstag .....	Strut.....		



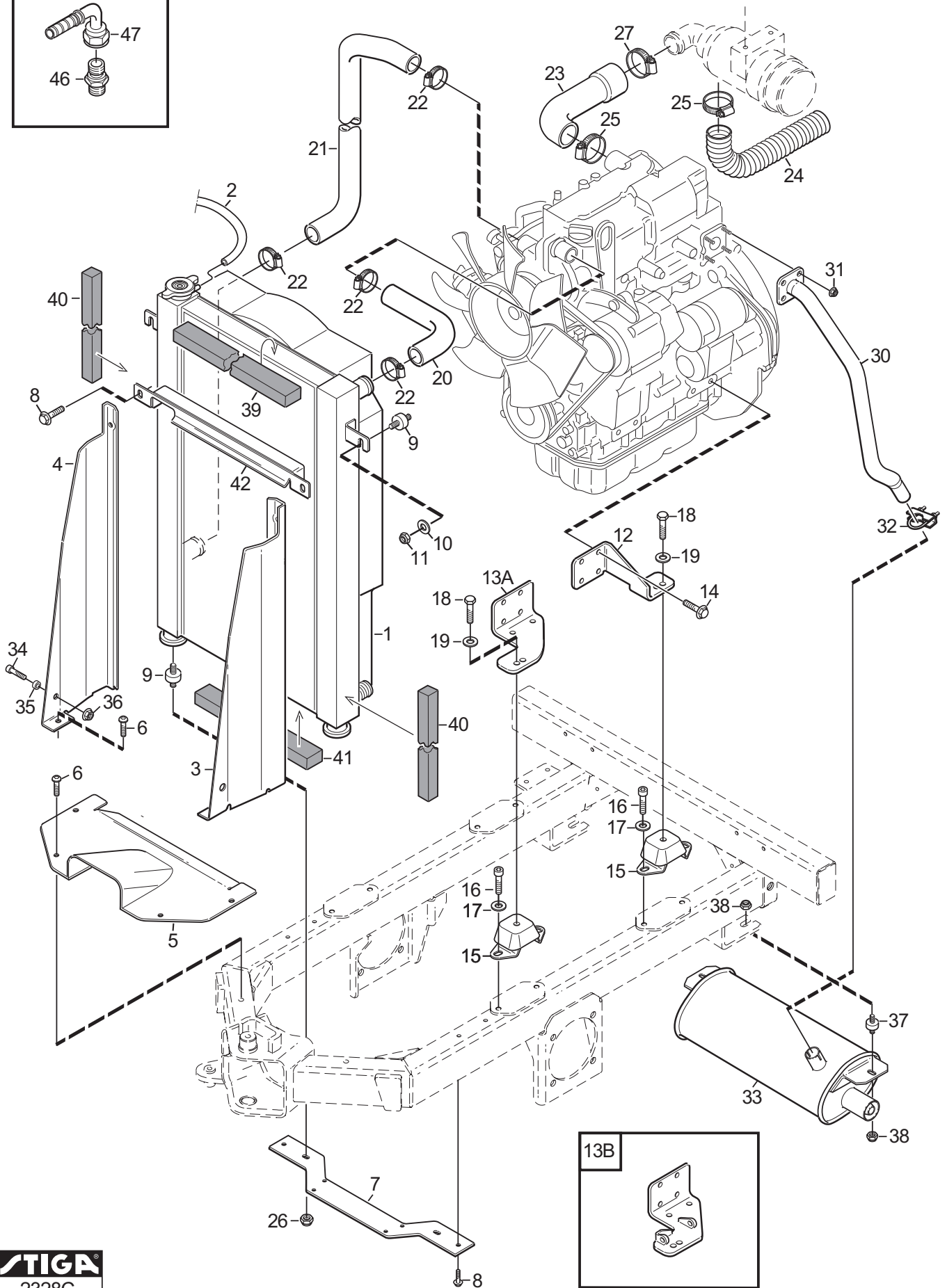
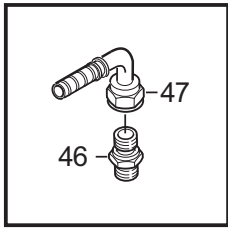
Utgåva Issue		Bildnr Picture No		TITAN ELSYSTEM 1			ELECTRICAL SYSTEM 1		Sida Page	
2010- 16		2393B							26	
Pos. Fig.	Antal/Quantity			Art nr Part No	Benämning	Description	Sats Kit	Anmärkning Notes		
	7434 7435	7440 7441 7442								
1	1	1		1135-3311-01	Kablage kpl.....	Cable harness .....				
2	1	1		1134-7530-01	.Summer.....	.Beeper.....				
3	1	1		9400-0342-01	.Säkringshållare.....	.Fuse holder .....				
3	1	1		9400-0350-01	.Lock f säkringshållare.....	.Cover for fuse holder .....				
4	1	1		1134-3496-08	Säkring .....	Fuse .....		40A		
4	1	1		1134-3496-07	Säkring .....	Fuse .....		30A		
4	1	1		1134-3496-06	Säkring .....	Fuse .....		20A		
4	4	4		1134-3496-01	Säkring .....	Fuse .....		10A		
5	1	1		9400-0345-01	Brytare- varn.blinkers .....	Switch- hazard .....		with cabin/med hytt		
6	1	1		9400-0343-02	Vippa .....	Switch cover .....		with cabin/med hytt		
8	1	1		9400-0317-01	Eluttag .....	Socket .....				
9	3	3		9400-0282-01	Brytare.....	Switch .....				
10	1	1		9400-0321-01	Brytare.....	Switch .....				
11	1	1		9400-0343-01	Vippa .....	Switch cover .....		PTO		
12	2	2		9400-0346-01	Kontrollampa- blink röd .....	Pilot lamp- flashing red .....				
13	1	1		9400-0280-03	Vippa .....	Switch cover .....				
14	1	1		9400-0280-04	Vippa .....	Switch cover .....				
15	1	1		9400-0322-01	Vippa .....	Switch cover .....				
16	2	2		1134-4129-01	Täckbricka .....	Cover .....				
17	1	1		9400-0320-03	Kontrollampa- grön.....	Pilot lamp- green.....		with cabin/med hytt		
18	1	1		1134-6097-01	Timräknare .....	Hour meter.....				
19	3	3		9400-0320-01	Kontrollampa- röd.....	Pilot lamp- red.....				
20	1	1		9400-0320-02	Kontrollampa- orange.....	Pilot lamp- orange.....				
21	1	1		9403-0054-01	Blindpropp.....	Cover plug.....		with cabin/med hytt		
22		1		9400-0283-01	Brytare.....	Switch .....				
23		1		9400-0280-08	Vippa .....	Switch cover .....				
30	1	1		9400-0336-01	Ljuskontrollarm .....	Light control switch .....		with cabin/med hytt		
31	4	4		9997-0416-16	Skruv .....	Screw.....		with cabin/med hytt		
32	4	4		9747-0421-02	Mutter.....	Nut .....		with cabin/med hytt		
33	1	1		9400-0340-01	Kabelgenomföring .....	Grommet.....		with cabin/med hytt		
99	1	1		9400-0290-01	Verktyg för vippa .....	Tool for covers .....		Acessory/tillbehör		



Utgåva Issue		Bildnr Picture No		TITAN ELSYSTEM 2			ELECTRICAL SYSTEM 2		Sida Page	
2010- 16		2394B							28	
Pos. Fig.	Antal/Quantity			Art nr Part No	Benämning	Description	Sats Kit	Anmärkning Notes		
	7434 7435	7440 7441 7442								
1	1	1		1135-2810-01	Kablage- vä .....	Harness- LH .....				
2	1	1		1135-3451-01	Kablage- hö .....	Harness- RH .....				
3	1	1		9739-0631-22	Mutter .....	Nut .....				
4	1	1		1134-7203-01	Batteri .....	Battery .....		40 Ah		
5	1	1		1134-7235-01	Kabel (pluspol) .....	Cable (+) .....		L = 450		
6	1	1		1134-7236-01	Kabel- röd .....	Cable- red .....		L = 500		
7	1	1		9739-0831-22	Mutter .....	Nut .....				
8	1	1		1134-7237-03	Kabel (minuspol) .....	Cable (-) .....		L = 600		
9	2	2		9400-0324-01	Isoleringshatt- röd .....	Insulator lug .....				
10	1	1		9400-0316-01	Huvudströmbrytare .....	Main switch .....				
11	2	2		9997-0520-16	Skruv .....	Screw .....				
12	2	2		9747-0531-02	Mutter .....	Nut .....				
13	2	2		1134-7535-01	Honkontakt .....	Female terminal .....				
13A	1	1		1134-6318-01	.Tätning .....	.Seal .....				
14	1	1		9400-0296-01	Dragströmbrytare .....	Switch .....		w/o cabin/utan hytt		
15	1	1		9699-0090-02	Bricka .....	Washer .....		w/o cabin/utan hytt		
16	1	1		084-036-01	Stickdosa .....	Socket .....				
17	4	4		9840-7716-16	Skruv .....	Screw .....				
18	3	3		9946-0525-16	Skruv .....	Screw .....				
20	1	1		1134-7528-01	Kontaktionskabel .....	Connector cable .....				
21	1	1		1134-2871-03	Relä .....	Relay .....				
22	1	1		1134-2871-01	Relä .....	Relay .....				
23	2	2		9997-0520-16	Skruv .....	Screw .....				
30	4	4		9893-0616-16	Skruv .....	Screw .....				
31	1	1		1134-7487-01	Lampkonsol .....	Lamp bracket .....		w/o cabin/utan hytt		
32	1	1		1134-7505-01	Kablage .....	Harness .....		w/o cabin/utan hytt		
33	2	2		9400-0326-01	Halogenlampa .....	Halogene bulb .....		w/o cabin/utan hytt		
34	4	4		1134-7488-01	Clips .....	Clips .....		w/o cabin/utan hytt		
35	4	4		9852-8013-16	Skruv .....	Screw .....				
40	1	1		1135-3725-01	Batterihållare .....	Battery holder .....				
41	1	1		1134-6943-01	Batteriklämma .....	Battery clamp .....				
42	1	1		9959-0825-16	Skruv .....	Screw .....				
43	4	4		9959-0820-16	Skruv .....	Screw .....				
44	4	4		9739-0831-22	Mutter .....	Nut .....				
45	4	4		9945-0816-16	Skruv .....	Screw .....				

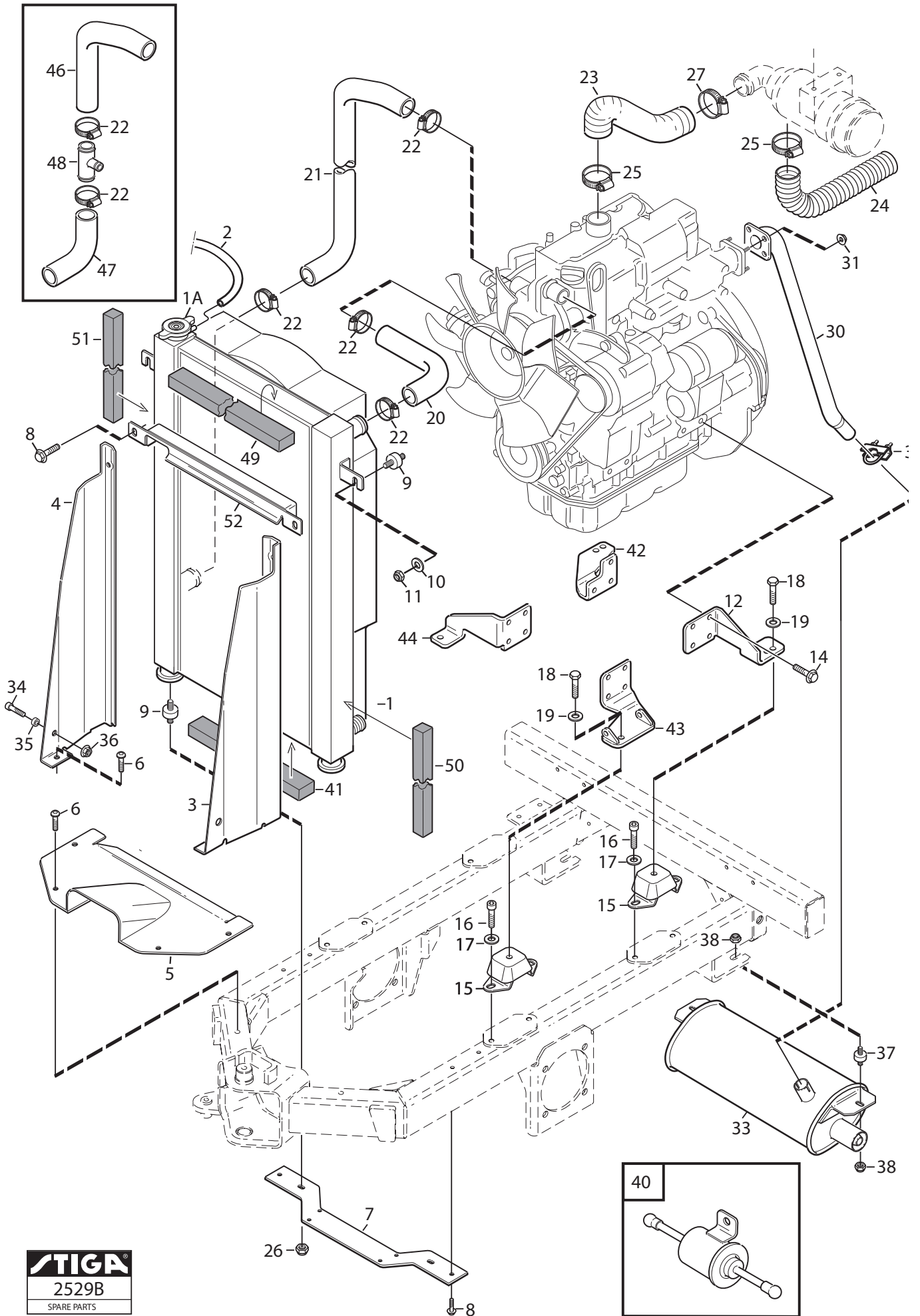


Utgåva Issue		Bildnr Picture No		TITAN BRÄNSLETANK			FUEL TANK		Sida Page	
2010- 16		2527A							30	
Pos. Fig.	Antal/Quantity			Art nr Part No	Benämning	Description	Sats Kit	Anmärkning Notes		
	7434 7435	7440 7441 7442								
1	1	1		1135-2482-01	Bränsletank.....	Fuel tank .....				
2	1	1		1135-2522-01	Tankbygel .....	Fuel tank clamp.....				
3	1	1		9945-0816-16	Skruv .....	Screw.....				
4	2	2		1134-4282-01	Nippel .....	Connector .....				
5	2	2		1135-2796-01	Slangstolpe.....	Tube connector .....				
7	1	1		1135-2526-01	Bränslenivågivare .....	Fuel level indicator .....				
8	1	1		1135-2528-01	Gummimanschett .....	Rubber sleeve .....				
9	1	1		1135-3381-01	Tanklock .....	Fuel tank cap .....				
11	1	1		1135-2586-01	Bränslenivåvakt .....	Fuel level sensor .....				
12	3	3		9579-0015-01	Buntband .....	Cable tie .....				
13	3	3		9579-0014-01	Buntbandsfäste.....	Cable tie bracket.....				
14	2			1134-7211-01	Filterfäste.....	Filter bracket .....				
14		1		1134-7211-02	Filterfäste.....	Filter bracket .....				
15		1		1135-2739-01	Fäste- bränslepump .....	Bracket-fuel pump .....				
16	4	4		9893-0616-16	Skruv .....	Screw.....				
17	2	2		9997-0865-12	Skruv .....	Screw.....				
18	2	2		9747-0831-02	Mutter.....	Nut .....				
19	1,45			9505-0002-01	Slang .....	Fuel hose.....		Meter		
19	0,29			9505-0002-01	Slang .....	Fuel hose.....		Meter		
19	0,45			9505-0002-01	Slang .....	Fuel hose.....		Meter		
19	0,22			9505-0002-01	Slang .....	Fuel hose.....		Meter		
19	1,8			9505-0002-01	Slang .....	Fuel hose.....		Meter		
19		1,8		9505-0002-01	Slang .....	Fuel hose.....		Meter		
19		0,24		9505-0002-01	Slang .....	Fuel hose.....		Meter		
19		0,6		9505-0002-01	Slang .....	Fuel hose.....		Meter		
19		0,24		9505-0002-01	Slang .....	Fuel hose.....		Meter		
20	12	12		9578-0023-02	Slangklämma.....	Hose clamp .....				



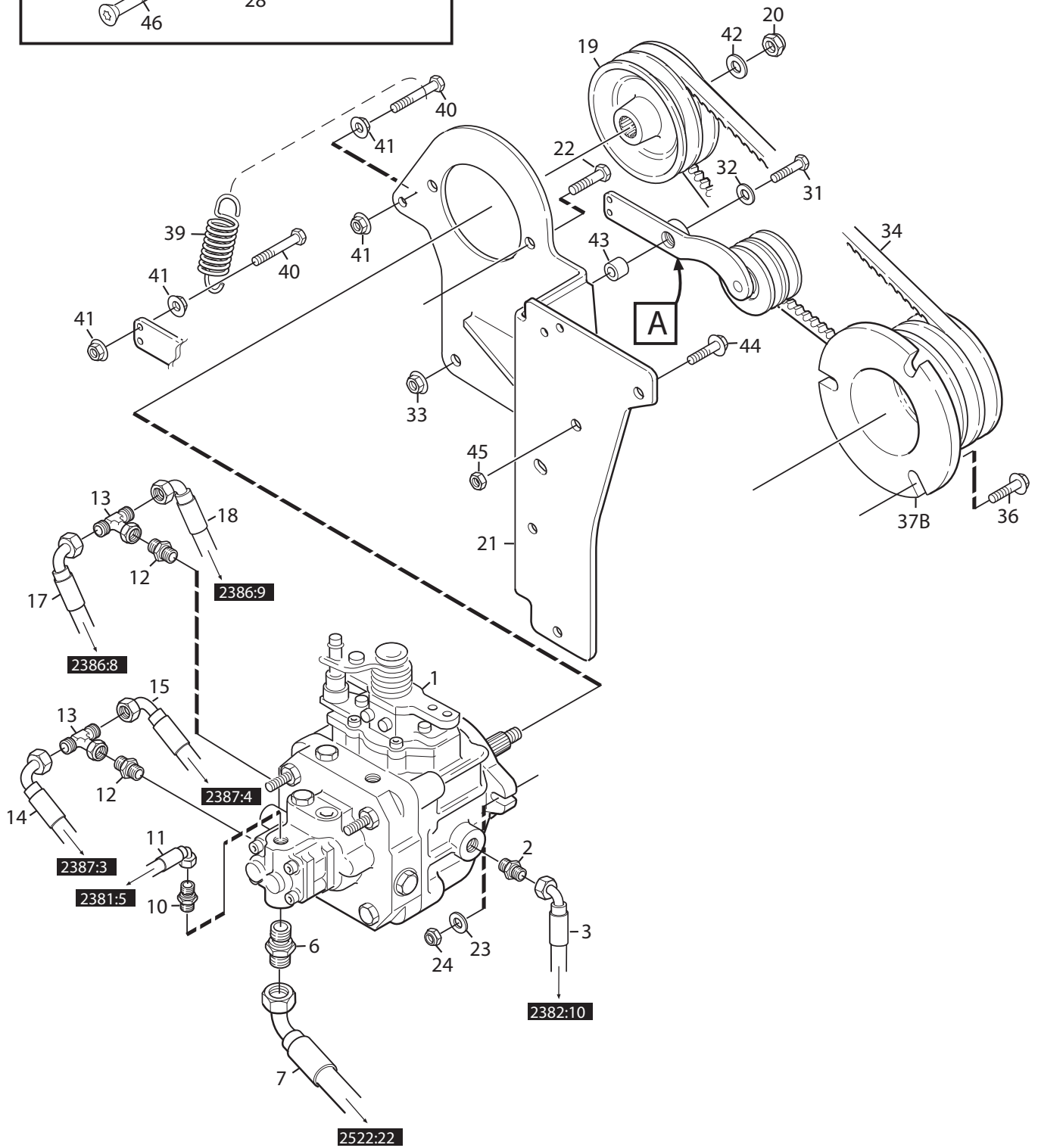
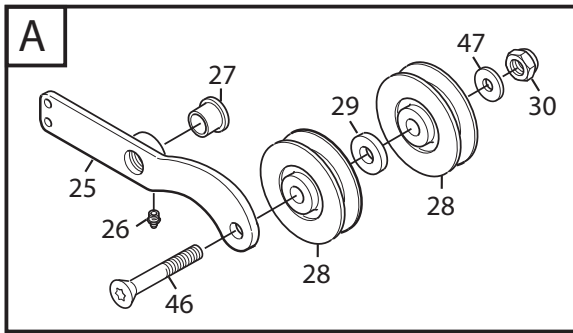


Utgåva Issue		Bildnr Picture No		TITAN 26H MOTOR			ENGINE		Sida Page	
2010- 16		2328C							32	
Pos. Fig.	Antal/Quantity				Art nr Part No	Benämning	Description	Sats Kit	Anmärkning Notes	
	7434	7434								
1	1				1135-3681-01	Vatten/Olje Kylare .....	Water/Oil cooler .....			
2	0,36				9505-0002-01	Slang .....	Tube .....		Meter	
3	1				1135-3687-02	Sidoplåt- vä .....	Side plate- LH .....			
4	1				1135-3684-01	Sidoplåt- hö .....	Side plate- RH .....			
5	1				1135-3688-01	Bottenplåt .....	Bottom plate .....			
6	10				9893-0616-16	Skruv .....	Screw .....			
7	1				1134-7340-01	Konsol- kylare .....	Bracket- cooler .....			
8	2				9945-0816-16	Skruv .....	Screw .....			
9	4				9550-0008-02	Vibrationsdämpare .....	Vibration damper .....			
10	2				9699-0056-02	Bricka .....	Washer .....			
11	2				9747-0831-02	Mutter .....	Nut .....			
12	1				1134-6986-01	Motorfäste- bak .....	Engine bracket- rear .....			
13A	1				1135-3077-01	Motorfäste .....	Engine bracket .....			
13B	2				1135-6996-02	Motorfäste- bak .....	Engine bracket- rear .....			
14	16				9959-1030-16	Skruv .....	Screw .....			
15	4				1134-7210-01	Motorkudde .....	Engine cushion .....			
16	8				9939-1020-16	Skruv .....	Screw .....			
17	8				9699-0035-02	Bricka .....	Washer .....			
18	4				9997-1225-16	Skruv .....	Screw .....			
19	4				9699-0036-02	Bricka .....	Washer .....			
20	1				1134-7437-01	Kylarslang .....	Cooling hose .....			
21	1				1134-7438-01	Kylarslang .....	Cooling hose .....			
22	4				9578-0032-01	Slangklämma .....	Hose clamp .....			
23	1				1134-7439-01	Insugningsslang .....	Air intake hose .....			
24	1				1134-7460-01	Slang .....	Hose .....			
25	2				087-510-01	Slangklämma .....	Hose clamp .....			
26	2				9739-0831-22	Mutter .....	Nut .....			
27	1				085-018-01	Slangklämma .....	Hose clamp .....			
30	1				1134-6980-01	Avgasrör (Ø 32 mm) .....	Exhaust tube (Ø 32 mm) .....		- 090129	
30	1				1134-6980-02	Avgasrör (Ø 38 mm) .....	Exhaust tube (Ø 38 mm) .....		090130 -	
31	4				9739-0831-22	Mutter .....	Nut .....			
32	1				9578-0011-01	Rörklämma .....	Tube clamp .....		- 090129	
32	1				084-351-01	Rörklämma .....	Tube clamp .....		090130 -	
33	1				1134-6988-01	Ljuddämpare .....	Muffler .....		- 090129 (intake Ø 32 mm)	
33	1				1135-3125-01	Ljuddämpare .....	Muffler .....		090130 - (intake Ø 38 mm)	
34	2				9939-1020-16	Skruv .....	Screw .....			
35	2				1134-0041-10	Distans .....	Spacer .....			
36	2				9739-1031-22	Mutter .....	Nut .....			
37	2				9550-0008-01	Vibrationsdämpare .....	Vibration damper .....			
38	4				9747-0831-02	Mutter .....	Nut .....			
39	0,38				084-239-01	Tätninglist .....	Seal strip .....		Meter	
40	0,48				084-239-01	Tätninglist .....	Seal strip .....		Meter	
41	0,32				084-239-01	Tätninglist .....	Seal strip .....		Quantity/meter	
42	1				1135-3690-01	Plåt övre .....	Upper sheet .....			
46	1				1135-3169-01	Adapter .....	Tube fitting .....		with cabin/med hytt	
47	1				1135-3170-01	Slangstolpe .....	Tube connector .....		with cabin/med hytt	

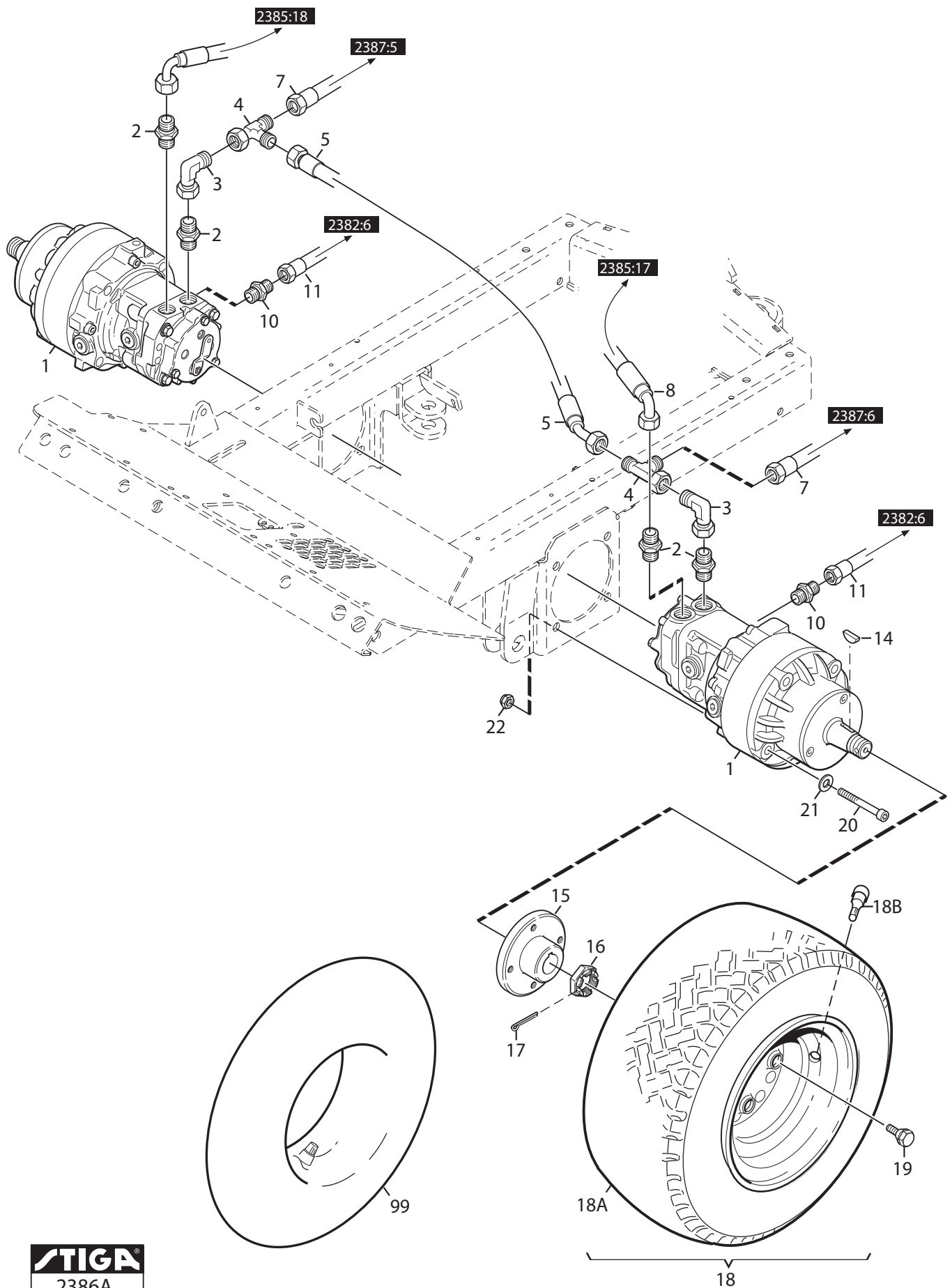


**STIGA**  
2529B  
SPARE PARTS

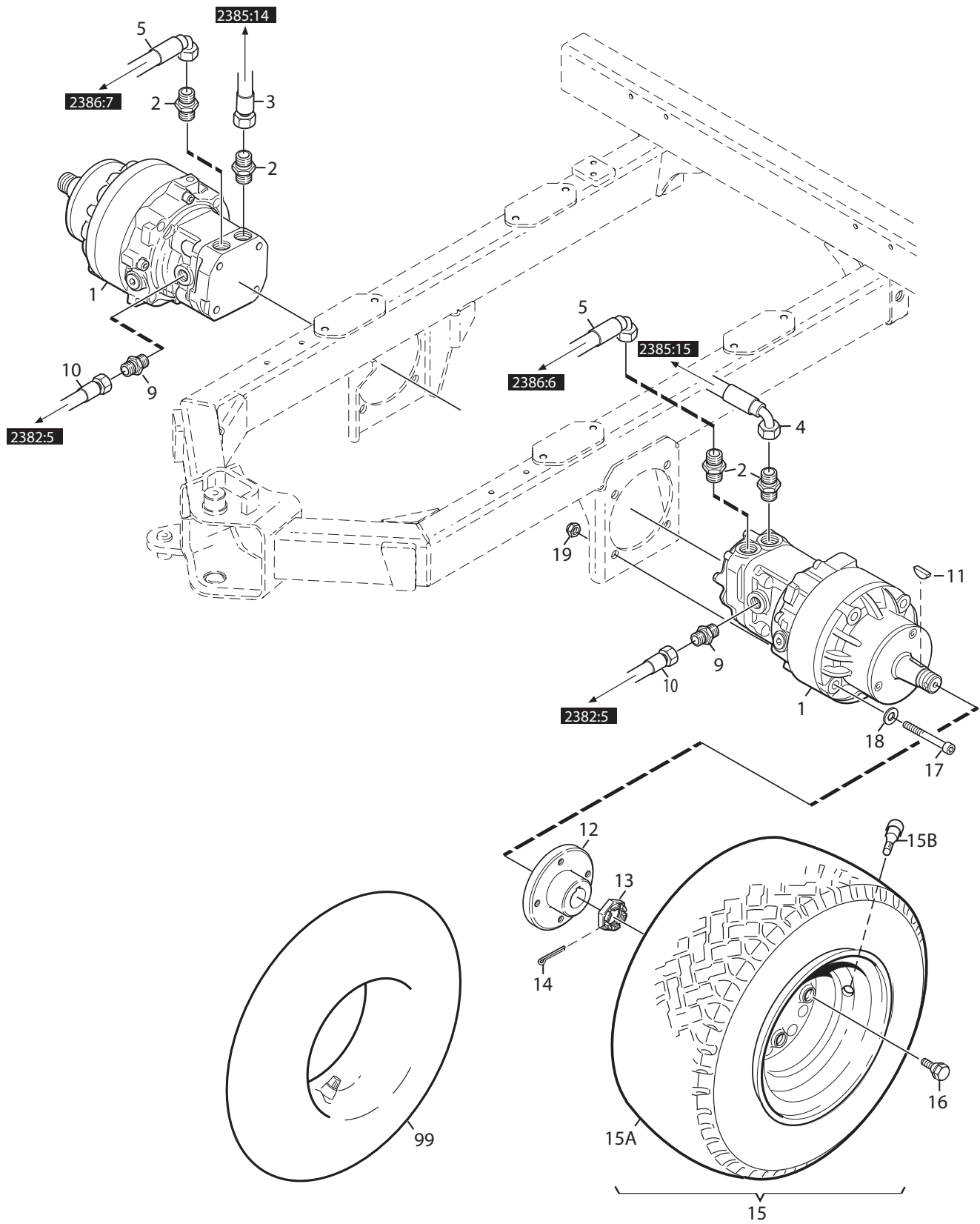
Utgåva Issue		Bildnr Picture No		TITAN 32H MOTOR ENGINE			Sida Page	
2010- 16		2529A					34	
Pos. Fig.	Antal/Quantity			Art nr Part No	Benämning	Description	Sats Kit	Anmärkning Notes
	7440	7441	7442					
1	1			1135-3681-01	Vatten/Olje kylare.....	Water/Oil cooler .....		
2	0,36			9505-0002-01	Slang .....	Tube .....		Meter
3	1			1135-3687-02	Sidoplåt- vä.....	Side plate- LH.....		
4	1			1135-3687-01	Sidoplåt- hö .....	Side plate- RH .....		
5	1			1135-3688-01	Bottenplåt .....	Bottom plate .....		
6	9			9893-0616-16	Skruv .....	Screw .....		
7	1			1134-7340-01	Konsol- kylare.....	Bracket- cooler .....		
8	2			9945-0816-16	Skruv .....	Screw .....		
9	4			9550-0008-02	Vibrationsdämpare .....	Vibration damper .....		
10	2			9699-0056-02	Bricka .....	Washer.....		
11	2			9747-0831-02	Mutter.....	Nut .....		
12	1			1135-3690-01	Plåt, övre .....	Upper sheet.....		
14	16			9959-1025-16	Skruv.....	Screw.....		
15	4			1134-7210-01	Motor kudde .....	Engine cushion .....		
16	8			9939-1020-16	Skruv .....	Screw .....		
17	8			9699-0035-02	Bricka .....	Washer.....		
18	4			9997-1225-16	Skruv .....	Screw .....		
19	4			9699-0036-02	Bricka .....	Washer.....		
20	1			1134-7437-02	Kylarslang.....	Cooling hose .....		
21	1			1135-3685-01	Kylarslang.....	Cooling hose .....		w/o cabin/utan hytt
22	4			9578-0032-01	Slangklämma.....	Hose clamp .....		D32 - 44
23	1			1135-2530-01	Insugnings slang .....	Air intake hose .....		
24	1			1134-7460-02	Slang .....	Hose.....		
25	2			087-510-01	Slangklämma.....	Hose clamp .....		D44 - 56
26	2			9739-0831-22	Mutter.....	Nut .....		
27	1			085-018-01	Slangklämma.....	Hose clamp .....		D50 - 65
30	1			1134-7682-02	Avgasrör (Ø 38 mm).....	Exhaust tube (Ø 38 mm).....		
31	4			9739-0831-22	Mutter.....	Nut .....		
32	1			084-351-01	Rörklämma.....	Tube clamp.....		
33	1			1135-3125-01	Ljuddämpare .....	Muffler .....		Intake/inlopp Ø38 mm
34	2			9939-1020-16	Skruv .....	Screw .....		
35	2			1134-0041-10	Hylsa .....	Collar .....		
36	2			9739-1031-22	Mutter.....	Nut .....		
37	2			9550-0008-02	Vibrationsdämpare .....	Vibration damper .....		
38	4			9747-0831-02	Mutter.....	Nut .....		
41	1			1135-2490-01	Motorfäste vä- bak.....	Engine bracket LH- rear.....		
42	1			1135-2490-03	Motorfäste hö- bak .....	Engine bracket RH- rear .....		
43	1			1135-2499-01	Motorfäste vä- fram .....	Engine bracket LH- front .....		
44	1			1135-2994-01	Motorfäste hö- fram.....	Engine bracket RH- front.....		
46	1			1135-3685-01	Kylarslang.....	Cooling hose .....		with cabin/med hytt
47	1			1135-3685-02	Kylarslang.....	Cooling hose .....		with cabin/med hytt
48	1			532-335-01	T- stycke .....	T- connection .....		with cabin/med hytt
49	0,38			084-239-01	Tätninglist.....	Seal strip .....		Meter
50	0,48			084-239-01	Tätninglist.....	Seal strip .....		Meter
51	0,32			084-239-01	Tätninglist.....	Seal strip .....		
52	1			1135-3690-01	Plåt- övre .....	Upper sheet.....		



Utgåva Issue		Bildnr Picture No		TITAN HYDROSTATPUMP		HYDRO PUMP		Sida Page	
2010- 16		2385B						36	
Pos. Fig.	Antal/Quantity			Art nr Part No	Benämning	Description	Sats Kit	Anmärkning Notes	
	7434 7435	7440 7441 7442							
1	1	1		1134- 7013- 01	Hydraulpump .....	Hydraulic pump.....			
2	1	1		1134- 5809- 01	Adapter .....	Hydraulic coupling .....			
3	1	1		1135- 3618- 08	Hydraulslang .....	Hydraulic tube.....			
6	1	1		1134- 7187- 01	Adapter .....	Hydraulic coupling .....			
7	1	1		1134- 7446- 01	Slangstolpe.....	Tube coupling.....			
8	1	1		9578- 0031- 01	Slangklämma.....	Hose clamp .....			
9	1	1		1134- 7136- 01	Hydraulslang (L=930).....	Hydraulic tube (L=930) .....		Use/anv 1134- 7136- 04	
10	1	1		1134- 4282- 01	Adapter .....	Hydraulic coupling .....			
11	1	1		1134- 7135- 01	Hydraulslang 3/8".....	Hydraulic tube 3/8" .....			
12	2	2		1134- 5810- 01	Adapter .....	Hydraulic coupling .....			
13	2	2		1134- 7452- 01	L- koppling.....	L- coupling .....			
14	1	1		1134- 7128- 01	Hydraulslang 1/2".....	Hydraulic tube 1/2" .....			
15	1	1		1134- 7129- 01	Hydraulslang 1/2".....	Hydraulic tube 1/2" .....			
17	1	1		1134- 7134- 01	Hydraulslang 1/2".....	Hydraulic tube 1/2" .....			
18	1	1		1134- 7133- 01	Hydraulslang 1/2".....	Hydraulic tube 1/2" .....			
19	1	1		1134- 6968- 01	Remskiva- pump.....	Belt pulley- pump .....			
20	1	1		9747- 1231- 02	Mutter.....	Nut .....			
21	1	1		1134- 7738- 01	Pumpfäste .....	Pump bracket.....			
22	2	2		9997- 1035- 16	Skruv .....	Screw .....			
23	2	2		9699- 0030- 02	Bricka .....	Washer.....			
24	2	2		9747- 1031- 02	Mutter.....	Nut .....			
25	1	1		1135- 3753- 01	Spännarm.....	Tension arm .....			
26	1	1		9501- 0500- 00	Smörjnippel.....	Grease nipple .....			
27	1	1		9544- 0002- 01	Glidlager .....	Bearing.....			
28	2	2		1134- 6329- 02	Spännrulle .....	Tension roller .....			
29	1	1		9699- 0035- 02	Bricka .....	Washer.....			
30	1	1		9747- 1031- 02	Mutter.....	Nut .....			
31	1	1		9997- 1040- 02	Skruv .....	Screw .....			
32	1	1		9699- 0030- 02	Bricka .....	Washer.....			
33	1	1		9747- 1031- 02	Mutter.....	Nut .....			
34	1	1		1134- 9143- 01	Kilrem (sats 2 st).....	V- belt (kit of 2 pcs.) .....		9585- 0193- 01	
36	3	3		9997- 1225- 16	Skruv .....	Screw .....			
37B	1			1135- 2783- 01	Motorremskiva .....	Engine belt pulley.....			
37B		1		1135- 2518- 01	Motorremskiva .....	Engine belt pulley.....			
39	1	1		1134- 4232- 01	Dragfjäder.....	Spring .....			
40	2	2		9997- 0835- 12	Skruv .....	Screw .....			
41	4	4		9739- 0831- 22	Mutter.....	Nut .....			
42	1	1		9699- 0036- 02	Bricka .....	Washer.....			
43	1	1		1134- 7220- 02	Distans .....	Spacer.....			
44	3	3		9959- 1025- 16	Skruv .....	Screw .....			
45	1	1		9747- 1031- 02	Mutter.....	Nut .....			
46	1	1		9924- 1060- 19	Skruv .....	Screw .....			
47	1	1		9699- 0035- 02	Bricka .....	Washer.....			
48	1	1		9699- 0100- 02	Bricka .....	Washer.....			
49	1	1		9997- 0616- 16	Skruv .....	Screw .....			

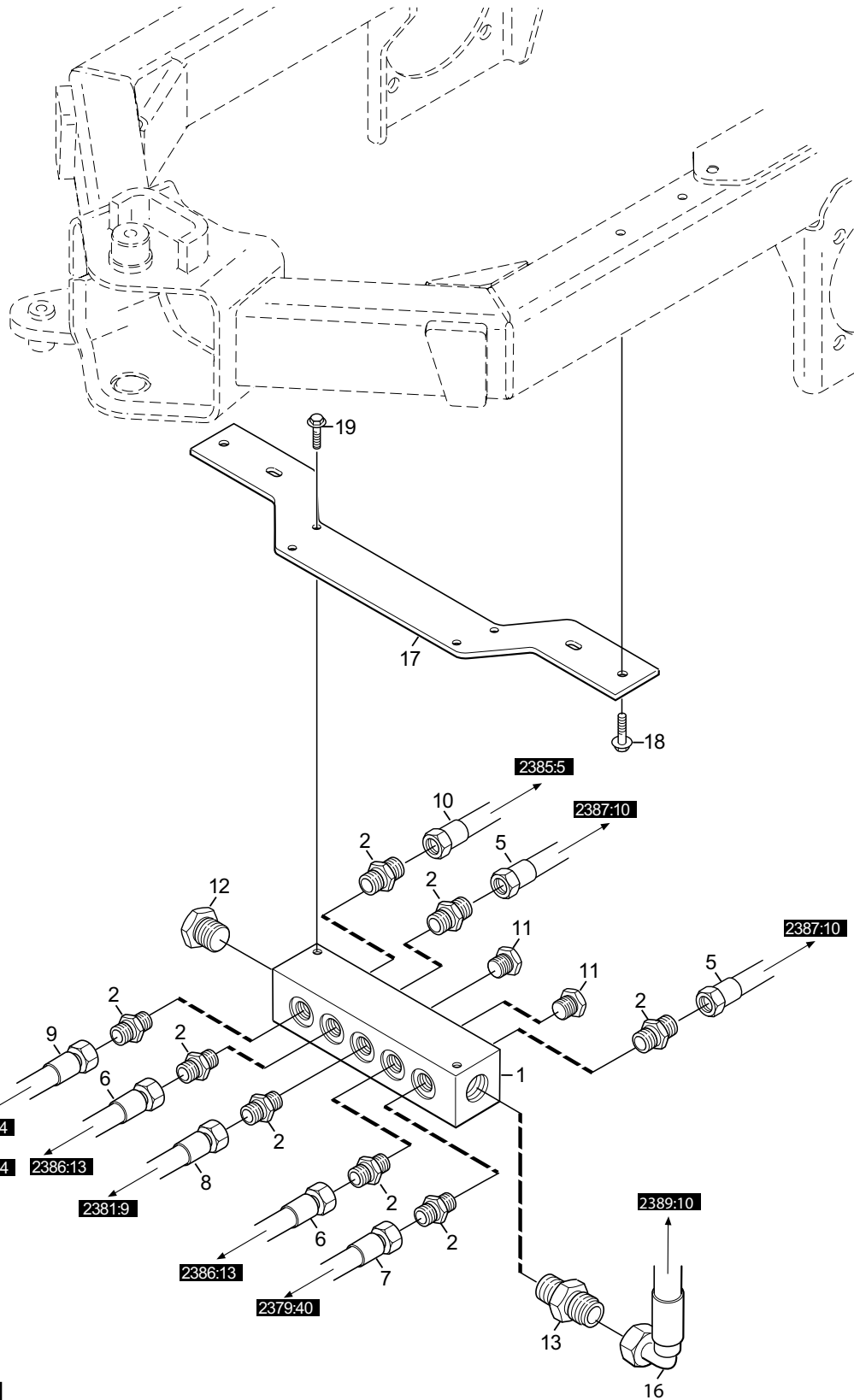


Utgåva Issue 2010- 16		Bildnr Picture No 2386A		TITAN HJULMOTOR- FRAM WHEEL ENGINES- FRONT			Sida Page 38	
Pos. Fig.	Antal/Quantity			Art nr Part No	Benämning	Description	Sats Kit	Anmärkning Notes
	7434 7435	7440 7441 7442						
1	2			1134- 7015- 01	Hydraulmotor .....	Hydraulic motor .....		Big brake
1		2		1135- 2825- 01	Hydraulmotor .....	Hydraulic motor .....		
2	4	4		1134- 7161- 01	Adapter .....	Hydraulic coupling .....		
3	2	2		1134- 7163- 01	Kompvinkel .....	Hydraulic coupling .....		
4	2	2		1134- 7164- 01	L- koppling .....	L- coupling .....		
5	1	1		1134- 7132- 01	Hydraulslang 1/2" .....	Hydraulic tube 1/2" .....		
6	2	2		1134- 7156- 01	Adapter .....	Hydraulic coupling .....		
7	2	2		1134- 7130- 01	Hydraulslang 1/2" .....	Hydraulic tube 1/2" .....		
8	1	1		1134- 7134- 01	Hydraulslang 1/2" .....	Hydraulic tube 1/2" .....		
9	1	1		1134- 7133- 01	Hydraulslang 1/2" .....	Hydraulic tube 1/2" .....		
13	2	2		1135- 3623- 04	Hydraulslang .....	Hydraulic tube .....		
14	2	2		1134- 6996- 01	Kil .....	Key .....		
15	2	2		1134- 6971- 01	Nav .....	Hub .....		
16	2	2		9781- 2431- 32	Kronmutter .....	Nut .....		
17	2	2		9599- 0101- 02	Saxpinne .....	Cotter pin .....		
18	2			1134- 7308- 01	Hjul kpl 20" .....	Wheel assy 20" .....	Pos 18A - 18B incl. Pos 18A - 18B incl.	
18		2		1134- 7310- 01	Hjul kpl 23" .....	Wheel assy 23" .....		
18A	1			9545- 0127- 01	.Däck .....	.Tire .....	20 x 10 - 10	
18A		1		9545- 0129- 01	.Däck .....	.Tire .....	23 x 10,5 - 12	
18B	1	1		9545- 0500- 00	.Ventil .....	.Valve .....		
19	8	8		1134- 7041- 01	Hjulbult .....	Wheel bolt .....		
20	8	8		9939- 1213- 02	Skruv .....	Screw .....		
21	8	8		9699- 0036- 02	Bricka .....	Washer .....		
22	8	8		9747- 1231- 02	Mutter .....	Nut .....		
99	x			9545- 0211- 01	Innerslang för 20" .....	Inner tube for 20" .....	Only as spare part Only as spare part	
99	x			9545- 0212- 01	Innerslang för 23" .....	Inner tube for 23" .....		

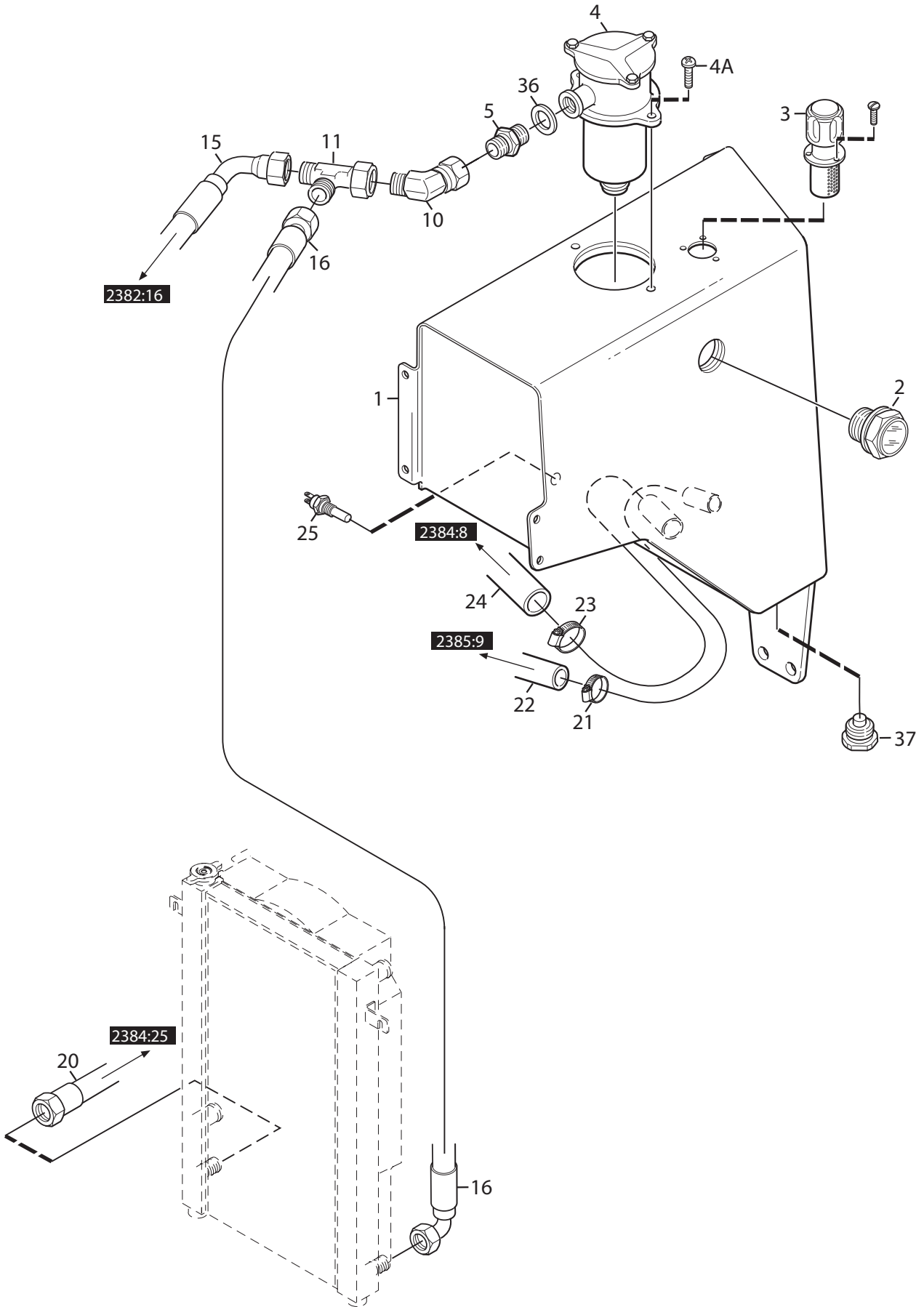




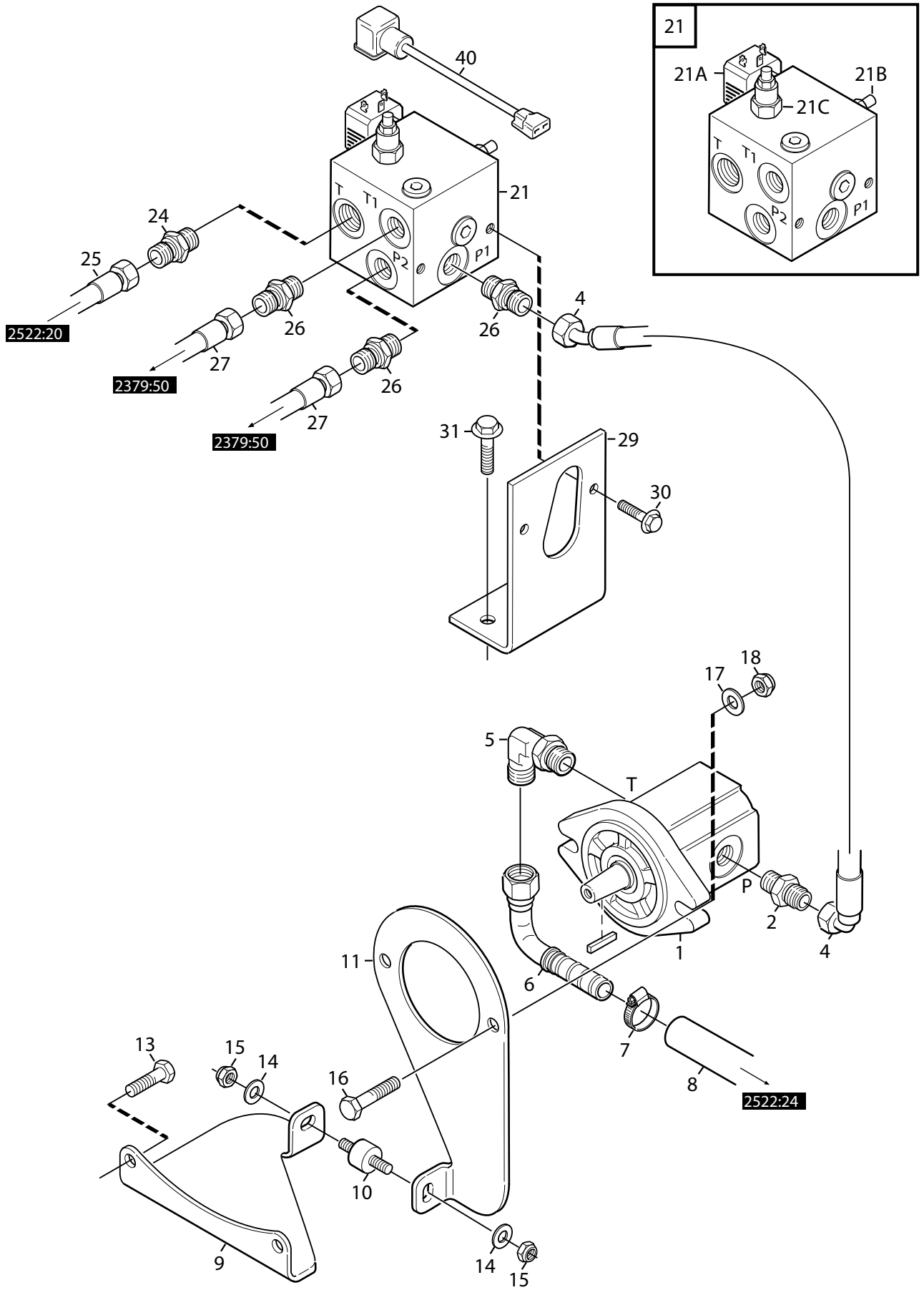
Utgåva Issue		Bildnr Picture No		TITAN HJULMOTOR- BAK		WHEEL ENGINES- REAR		Sida Page	
2010- 16		2387A						40	
Pos. Fig.	Antal/Quantity			Art nr Part No	Benämning	Description	Sats Kit	Anmärkning Notes	
	7434 7435	7440 7441 7442							
1	2			1134- 7016- 01	Hydraulmotor .....	Hydraulic motor .....			
1		2		1135- 2825- 01	Hydraulmotor .....	Hydraulic motor .....			
2	4	4		1134- 7161- 01	Adapter.....	Hydraulic coupling .....			
3	1	1		1134- 7128- 01	Hydraulslang 1/2" .....	Hydraulic tube 1/2" .....			
4	1	1		1134- 7129- 01	Hydraulslang 1/2" .....	Hydraulic tube 1/2" .....			
5	2	2		1134- 7130- 01	Hydraulslang 1/2" .....	Hydraulic tube 1/2" .....			
9	2	2		1134- 7156- 01	Adapter.....	Hydraulic coupling .....			
10	2	2		1135- 3623- 05	Hydraulslang .....	Hydraulic tube.....			
11	2	2		1134- 6996- 01	Kil .....	Key.....			
12	2	2		1134- 6971- 01	Nav .....	Hub .....			
13	2	2		9781- 2431- 32	Kronmutter .....	Nut .....			
14	2	2		9599- 0101- 02	Saxpinne.....	Cotter pin .....			
15	2			1134- 7308- 01	Hjul kpl 20" .....	Wheel assy 20" .....		Pos 15A - 15B incl.	
15	2			1134- 7310- 01	Hjul kpl 23" .....	Wheel assy 23" .....		Pos 15A - 15B incl.	
15A	1			9545- 0127- 01	.Däck .....	.Tire.....		20 x 10 - 10	
15A		1		9545- 0129- 01	.Däck .....	.Tire.....		23 x 10,5 - 12	
15B	1	1		9545- 0500- 00	.Ventil .....	.Valve .....			
16	8	8		1134- 7041- 01	Hjulbult.....	Wheel bolt.....			
17	8	8		9939- 1213- 02	Skruv.....	Screw.....			
18	8	8		9699- 0036- 02	Bricka.....	Washer.....			
19	8	8		9747- 1231- 02	Mutter.....	Nut.....			
99	x			9545- 0211- 01	Innerslang för 20" .....	Inner tube for 20" .....		Only as spare part	
99		x		9545- 0212- 01	Innerslang för 23" .....	Inner tube for 23" .....		Only as spare part	



Utgåva Issue		Bildnr Picture No		TITAN UPPSAMLINGSBLOCK			COLLECTING BLOCK		Sida Page		
2010- 16		2382A								42	
Pos. Fig.	Antal/Quantity			Art nr Part No	Benämning	Description	Sats Kit	Anmärkning Notes			
	7434 7435	7440 7441 7442									
1	1	1		1134- 7202- 01	Uppsamlingsblock .....	Collector block .....					
2	8	8		1134- 7156- 01	Adapter .....	Hydraulic coupling .....					
5	2	2		1135- 3623- 05	Hydraulslang .....	Hydraulic tube .....		3/8"			
6	1	1		1135- 3623- 04	Hydraulslang .....	Hydraulic tube .....		3/8"			
7	1	1		1135- 3623- 07	Hydraulslang .....	Hydraulic tube .....		3/8"			
8	1	1		1135- 3623- 06	Hydraulslang .....	Hydraulic tube .....		3/8"			
9	1	1		1135- 3618- 09	Hydraulslang .....	Hydraulic tube .....		3/8"			
10	1	1		1135- 3618- 01	Hydraulslang .....	Hydraulic tube .....		3/8"			
11	2	2		1134- 7453- 01	Plugg .....	Plug .....					
12	1	1		1134- 7174- 01	Plugg .....	Plug .....					
13	1	1		1134- 7169- 01	Adapter .....	Hydraulic coupling .....					
16	1	1		1135- 3693- 02	Hydraulslang) .....	Hydraulic tube .....					
17	1	1		1134- 7340- 01	Konsol- kylare .....	Bracket- cooler .....					
18	2	2		9945- 0816- 16	Skruv .....	Screw .....					
19	2	2		9959- 0616- 16	Skruv .....	Screw .....					

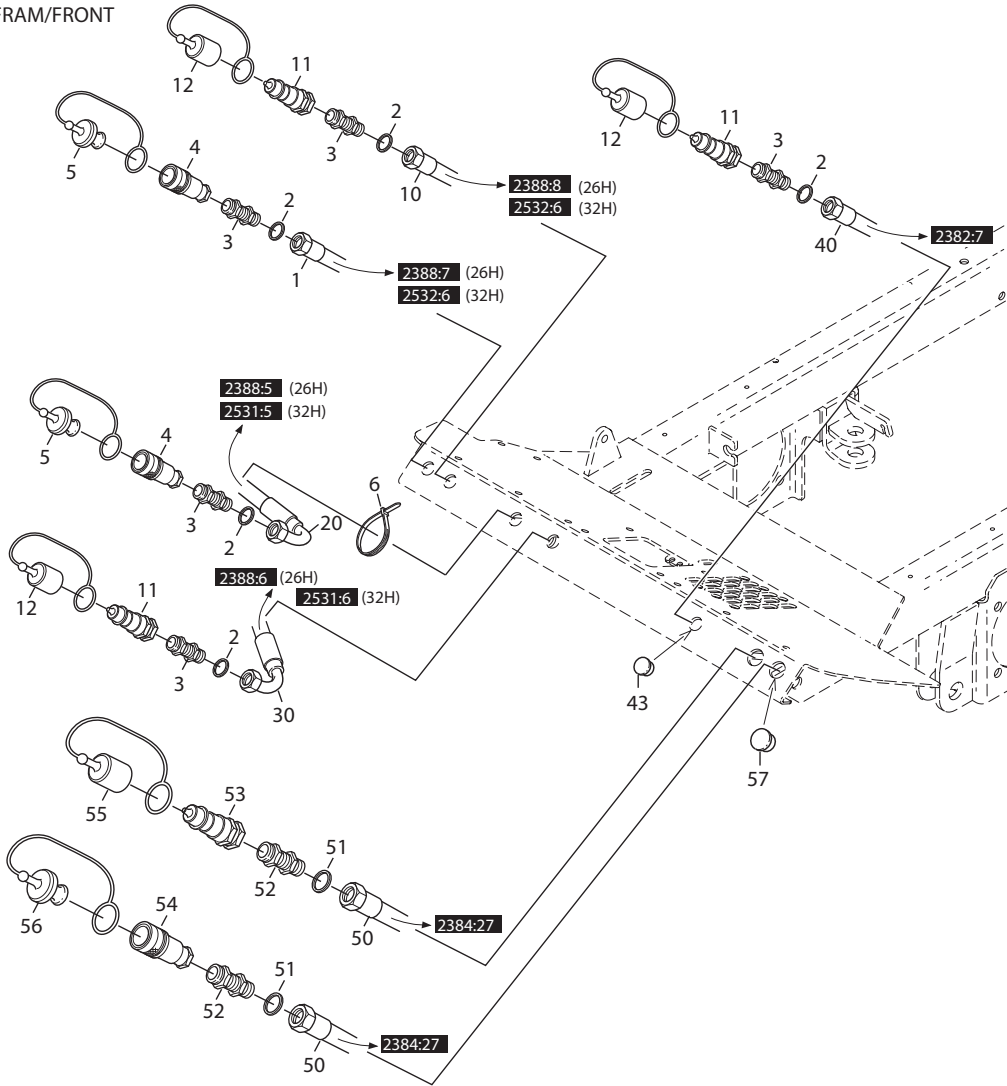


Utgåva Issue		Bildnr Picture No		TITAN OLJETANK			OIL TANK		Sida Page	
2010- 16		2522A							44	
Pos. Fig.	Antal/Quantity				Art nr Part No	Benämning	Description	Sats Kit	Anmärkning Notes	
	7434 7435	7440 7441 7442								
1	1				1134- 7115- 01 Oljetank .....	Oil tank.....				
2	1				1134- 7379- 02 Nivåöga .....	Level eye .....			1"	
3	1				1134- 7213- 01 Tankventilationsfilter.....	Tank ventilation .....				
4	1				1134- 7212- 01 Returoljefilter .....	Oil filter- return.....				
4A	2				9939- 0820- 16 .Skruv .....	.Screw .....			M8	
4B	1				1139- 2086- 01 .Filterinsats .....	.Filter element .....			Not ill./ej ill (10 my paper)	
4C	1				1139- 2087- 01 .Fjäder .....	.Spring .....			Not ill./ej ill.	
5	1				1134- 7169- 01 Adapter .....	Hydraulic connector .....				
10	1				084- 988- 01 Vinkelkoppling 45° .....	Angle connector 45° .....				
11	1				1134- 7454- 01 L- koppling.....	L- coupling.....				
15	1				1135- 3693- 02 Hydraulslang .....	Hydraulic hose .....				
16	1				1135- 3610- 08 Hydraulslang .....	Hydraulic hose .....				
20	1				1135- 3623- 08 hydraulslang.....	Hydraulic hose .....				

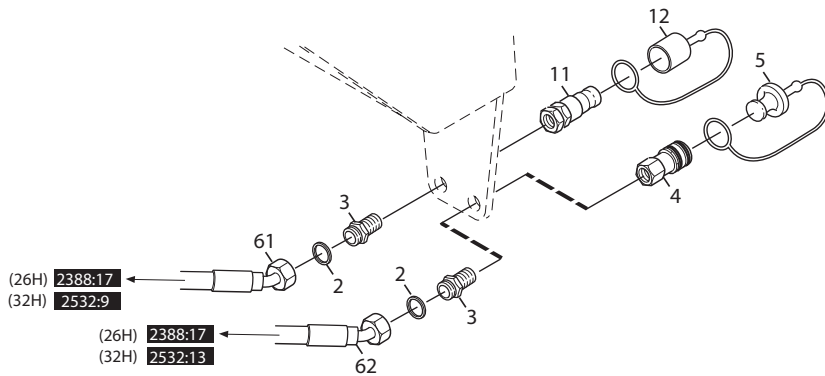


Utgåva Issue		Bildnr Picture No		TITAN KRAFTUTTAG			POWER TAKE-OFF		Sida Page	
2010-16		2384B							46	
Pos. Fig.	Antal/Quantity			Art nr Part No	Benämning	Description	Sats Kit	Anmärkning Notes		
	7434 7435	7440 7441 7442								
1	1	1		1135-2517-01	Hydrostatpump.....	Hydraulic pump.....				
2	1	1		1134-7315-01	Adapter.....	Hydraulic connector.....				
4	1	1		1134-7153-01	Hydraulslang 1/2".....	Hydraulic tube 1/2".....				
5	1	1		1134-7186-01	Adapter.....	Hydraulic connector.....				
6	1	1		1134-7448-01	Slangstolpe.....	Tube coupling.....				
7	1	1		9578-0032-01	Slangklämma.....	Hose clamp.....				
8	1			1134-7152-01	Hydraulslang 1".....	Hydraulic tube 1".....				
9	1			1135-2781-01	Fäste.....	Bracket.....				
9		1		1135-2578-01	Fäste.....	Bracket.....				
10	1	1		9550-0008-02	Vibrationsdämpare.....	Vibration damper.....				
11	1	1		1135-2579-01	Arm.....	Lever.....				
13	2	2		9959-1025-16	Skruv.....	Screw.....				
14	2	2		9699-0056-02	Bricka.....	Washer.....				
15	2	2		9747-0831-02	Mutter.....	Nut.....				
16	2	2		9997-1035-16	Skruv.....	Screw.....				
17	2	2		9699-0030-02	Bricka.....	Washer.....				
18	2	2		9747-1031-02	Mutter.....	Nut.....				
21	1	1		1134-7127-01	Ventilblock.....	Hydraulic valve.....				
21A	1	1		1139-2088-01	.Elventil inkl magnet.....	.Electric valve w magnet.....				
21B	1	1		1139-2089-01	.Tryckbegr.ventil.....	.Relief valve.....		10 bar		
21C	1	1		1139-2090-01	.Tryckbegr.ventil.....	.Relief valve.....		220 bar		
24	1	1		084-983-01	Adapter.....	Hydraulic connector.....				
25	1	1		1135-3623-08	Hydraulslang.....	Hydraulic tube.....				
26	3	3		1134-7161-01	Adapter.....	Hydraulic connector.....				
27	2	2		1134-7154-01	Hydraulslang 1/2".....	Hydraulic tube 1/2".....				
29	1	1		1134-7261-01	Fäste- PTO ventil.....	Bracket.....				
30	2	2		9997-0820-16	Skruv.....	Screw.....				
31	2	2		9945-0825-16	Skruv.....	Screw.....				
32	1	1		1134-4948-04	Tredobricka.....	Seal washer.....				
40	1	1		1134-7225-01	Kablage- PTO.....	Harness.....				

FRAM/FRONT

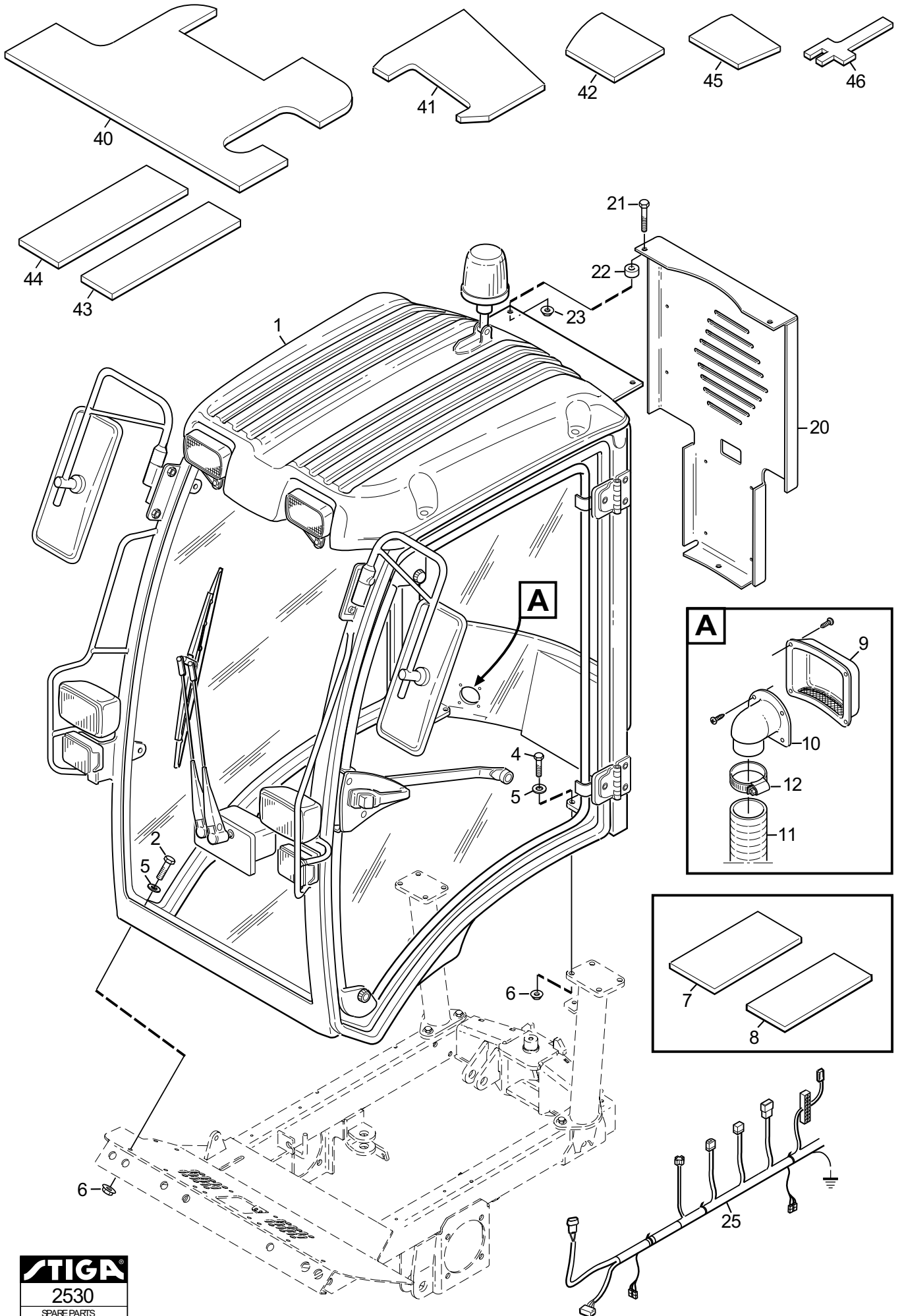


BAK/REAR

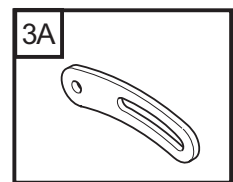
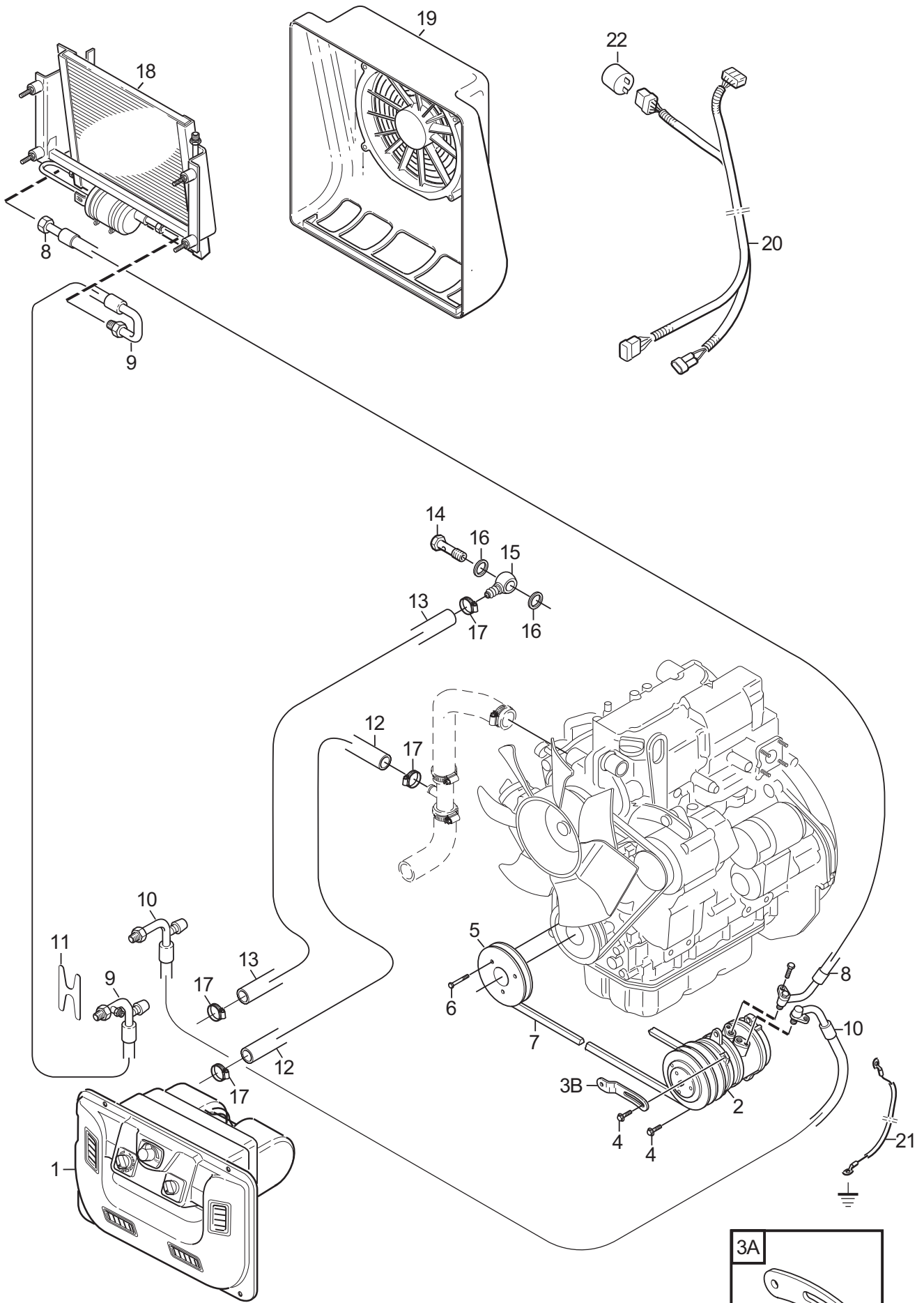




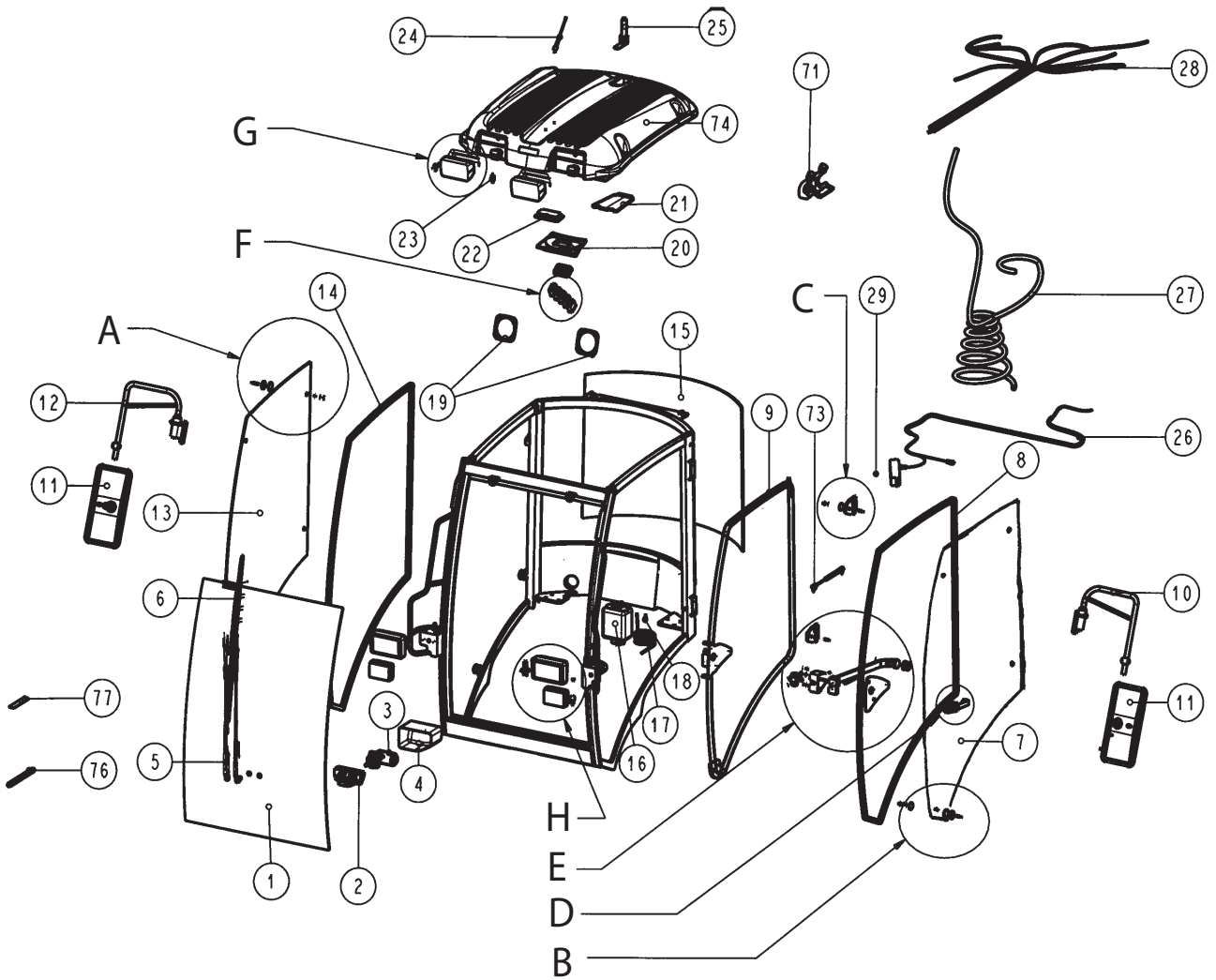
Utgåva Issue 2010- 16		Bildnr Picture No 2379B		TITAN KRAFTUTTAG REDSKAPSMANÖVRERING POWER TAKE- OFF IMPLEMENT CONTROL			Sida Page 48	
Pos. Fig.	Antal/Quantity			Art nr Part No	Benämning	Description	Sats Kit	Anmärkning Notes
	7434 7435	7440 7441 7442						
1	1			1134- 7147- 01	Hydraulslang 1/4" .....	Hydraulic tube 1/4" .....		
1		1		1135- 2700- 01	Hydraulslang 1/4" .....	Hydraulic tube 1/4" .....		
2	7	7		1134- 4948- 01	Tredobricka.....	Seal washer.....		
3	7	7		1134- 7296- 01	Skottgenomgång .....	Hydraulic coupling .....		
4	3	3		1134- 7172- 01	Snabbkoppling- hona.....	Quick coupling- female.....		
5	3	3		1134- 7173- 01	Plastpropp .....	Plastic plug .....		
6	1	1		9579- 0016- 01	Buntband (gult) .....	Cable tie (yellow) .....		
10	1			1134- 7158- 01	Hydraulslang 1/4" .....	Hydraulic tube 1/4" .....		
10		1		1135- 2700- 01	Hydraulslang 1/4" .....	Hydraulic tube 1/4" .....		
11	4	4		1134- 6042- 01	Snabbkoppling- hane.....	Quick coupling- male.....		
12	4	4		1134- 7175- 01	Plasthätta.....	Plastic cap.....		
20	1	1		1134- 7146- 01	Hydraulslang 1/4" .....	Hydraulic tube 1/4" .....		
30	1	1		1134- 7145- 01	Hydraulslang 1/4" .....	Hydraulic tube 1/4" .....		
40	1	1		1135- 3623- 07	Hydraulslang .....	Hydraulic tube.....		
50	2	2		1134- 7154- 01	Hydraulslang 1/2" .....	Hydraulic tube 1/2" .....		
51	2	2		1134- 4948- 03	Tredobricka.....	Seal washer.....		
52	2	2		1134- 7180- 01	Skottgenomgång .....	Hydraulic coupling .....		
53	1	1		1134- 7181- 01	Snabbkoppling- hane.....	Quick coupling- male.....		
54	1	1		1134- 7182- 01	Snabbkoppling- hona.....	Quick coupling- female.....		
55	1	1		1134- 7185- 01	Plasthätta.....	Plastic cap.....		
56	1	1		1134- 7184- 01	Plastpropp .....	Plastic plug .....		
61	1			1134- 7148- 01	Hydraulslang 1/4" .....	Hydraulic tube 1/4" .....		
61	1			1135- 2702- 01	Hydraulslang 1/4" .....	Hydraulic tube 1/4" .....		
62	1			1134- 7148- 01	Hydraulslang 1/4" .....	Hydraulic tube 1/4" .....		
62	1			1135- 2701- 01	Hydraulslang 1/4" .....	Hydraulic tube 1/4" .....		



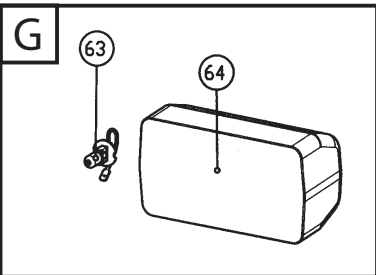
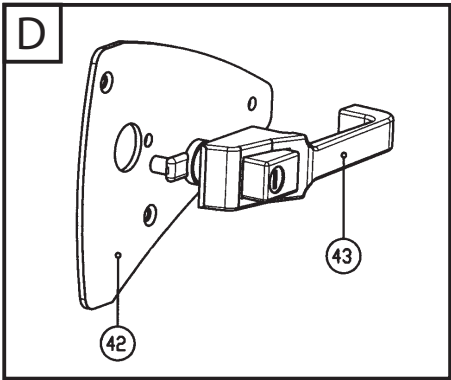
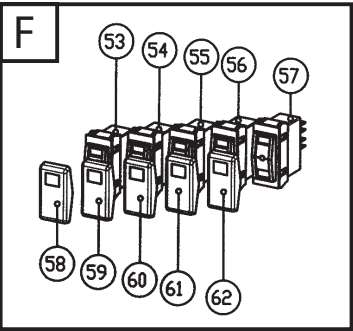
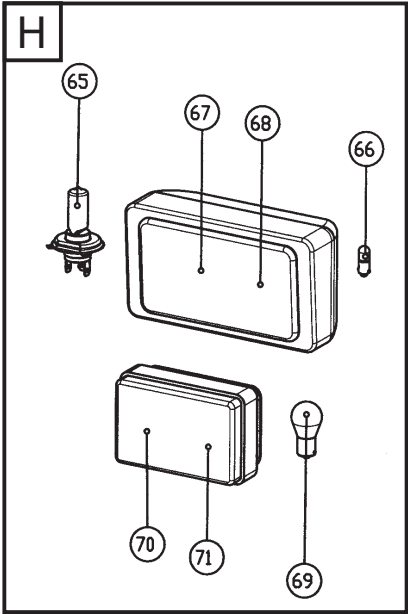
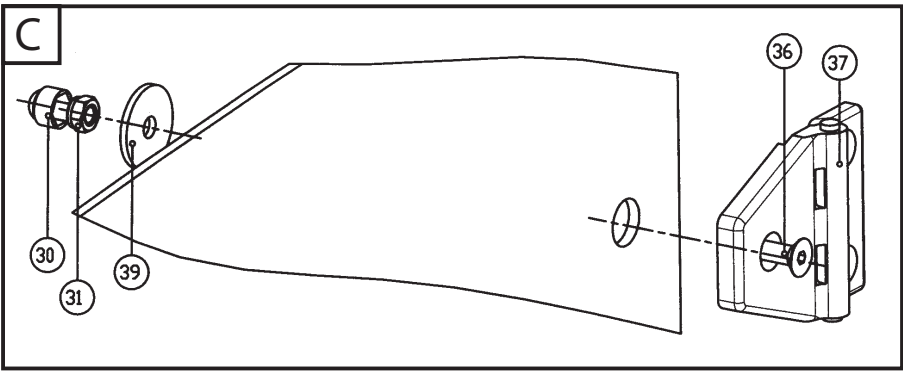
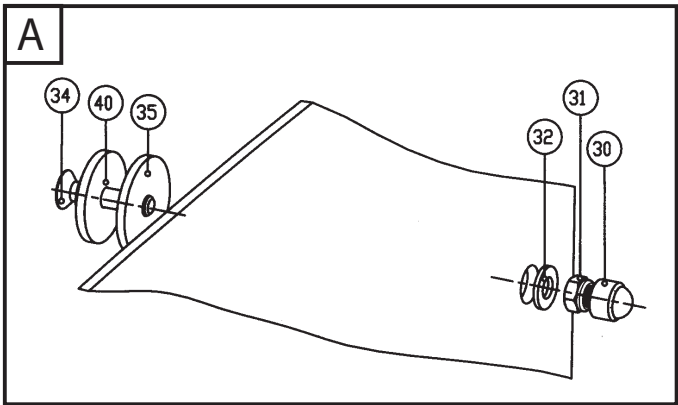
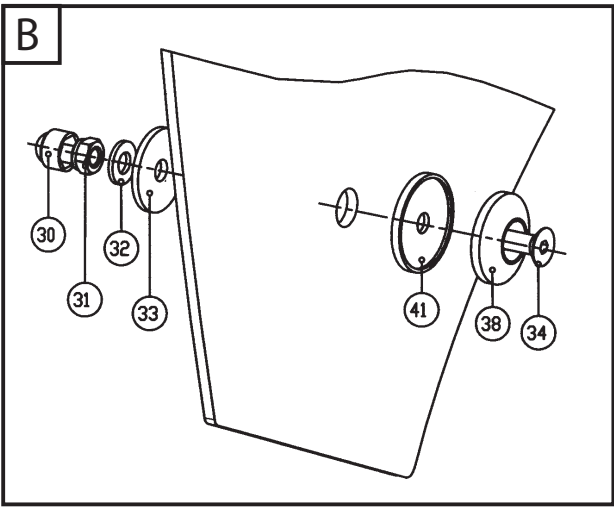
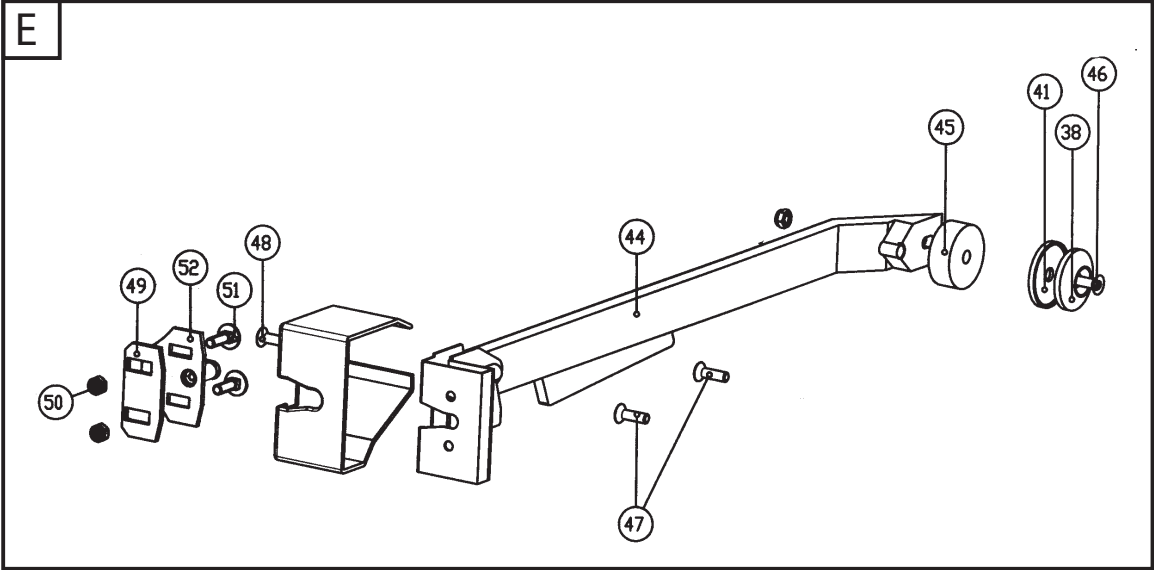
Utgåva Issue		Bildnr Picture No		TITAN HYTT CABIN			Sida Page	
2010- 16		2530					50	
Pos. Fig.	Antal/Quantity			Art nr Part No	Benämning	Description	Sats Kit	Anmärkning Notes
	7435	7441 7442						
1	1	1		1135-2903-01	Hytt kpl.....	Cabin assy.....		
2	3	3		9997-1030-16	Skruv.....	Screw.....		M10 x 30
2	1	1		9997-1045-12	Skruv.....	Screw.....		M10 x 45
4	8	8		9997-1040-12	Skruv.....	Screw.....		
5	16	16		9699-0035-02	Bricka.....	Washer.....		
6	12	12		9747-1031-02	Mutter.....	Nut.....		
7	1	1		1135-3133-01	Ljudabsorbent.....	Noise absorber.....		100 x 300
8	2	2		1135-3133-02	Ljudabsorbent.....	Noise absorber.....		130 x 300
9	1	1		1135-2952-01	Intag- yttre.....	Intake- outer.....		
10	1	1		1135-2953-01	Intag- inre.....	Intake- inner.....		
11	1	1		1135-2954-01	Slang.....	Hose.....		D60
12	2	2			Slangklämma d:o.....	Hose clamp.....		
20	1	1		1135-2761-01	Kondensorfäste.....	Condensor bracket.....		
21	2	2			Skruv.....	Screw.....		
22	2	2			Distans.....	Spacer.....		
23	2	2			Mutter.....	Nut.....		
24	1	1			Skruv.....	Screw.....		
25	1	1		1135-2588-01	Kablage- hytt.....	Harness- cabin.....		
30	1	1		1135-3143-01	Slangklämma.....	Hose clamp.....		with AC/med AC
31	2	2		1135-3144-01	Tätning.....	Seal.....		w/o AC/utan AC
32	1	1		1135-3145-01	Hyttlucka.....	Cabin lid.....		w/o AC/utan AC
40	1	1		1135-3195-01	Ljudabsorbent.....	Noise absorber.....		
41	1	1		1135-3196-01	Ljudabsorbent.....	Noise absorber.....		
42	1	1		1135-3197-01	Ljudabsorbent.....	Noise absorber.....		
43	1	1		1135-3198-01	Ljudabsorbent.....	Noise absorber.....		125 x 450 x 13
44	2	2		1135-3198-02	Ljudabsorbent.....	Noise absorber.....		170 x 450 x 13
45	1	1		1135-3200-01	Ljudabsorbent.....	Noise absorber.....		
46	1	1		1135-3265-01	Ljudabsorbent.....	Noise absorber.....		



Utgåva Issue 2010- 16		Bildnr Picture No 2538		TITAN VÄRMESYSTEM AIR CONDITION		HEATING SYSTEM AIR CONDITION		Sida Page 52	
Pos. Fig.	Antal/Quantity			Art nr Part No	Benämning	Description	Sats Kit	Anmärkning Notes	
	7434 7435	7440 7441 7442							
1	1	1		1135-2943-01	Värmepaket .....	Heating system .....		w/o AC/utan AC	
1	1	1		1135-2942-01	Värmepaket .....	Heating system .....		with AC/med AC	
2	1	1		1135-2944-01	Kompressor .....	Compressor .....		with AC/med AC	
3A		1		1135-2508-01	Momentstag .....	Torsion strut.....		with AC/med AC	
3B	1			1135-2902-01	Momentstag .....	Torsion strut.....		with AC/med AC	
4	2	2		9959-0820-16	Skruv f kompress+stag.....	Screw.....			
5	1			1135-2515-01	Remskiva.....	Belt pulley .....		with AC/med AC	
6	3				Skruv .....	Screw.....			
7	1	1		1134-9058-01	Kilrem (9585-0091-01) .....	V- belt.....		with AC/med AC	
8	1	1		1135-2945-01	Slang .....	Tube .....		with AC/med AC	
9	1	1		1135-2946-01	Slang .....	Tube .....		with AC/med AC	
10	1	1		1135-2947-01	Slang .....	Tube .....		with AC/med AC	
11	1	1		1135-2948-01	Fläns.....	Flange .....		with AC/med AC	
12	1	1		1135-2949-01	Vattenslang.....	Water hose.....		L = 2150	
13	1	1		1135-2950-01	Vattenslang.....	Water hose.....		L = 2510	
14	1	1		1135-2985-01	Banjoskoppling.....	Banjo bolt.....			
15	1	1		1135-2986-01	Banjokoppling.....	Banjo coupling .....			
16	2	2		1135-3004-01	Kopparbricka .....	Copper washer .....			
17	4	4		085-470-01	Slangklämma.....	Hose clamp .....		D15 - 24	
18	1	1		1135-2955-01	Kondensator m torkare.....	Condensator w dryer .....		with AC/med AC	
19	1	1		1135-2956-01	Fläkt m kåpa .....	Fan w cover.....		with AC/med AC	
20	1	1		1135-2951-01	Kablage.....	Harness.....		with AC/med AC	
21	1	1		1135-3124-01	Jordkabel- AC kompr. ....	Earth cable .....		with AC/med AC	
22	1	1		1135-3146-01	Tryckgivare .....	Pressure switch .....		with AC/med AC	
23	1	1		1134-1565-09	Distans .....	Spacer.....		L = 9.5	



Utgåva Issue		Bildnr Picture No		TITAN HYTT CABIN			Sida Page	
2010- 16		2535					54	
Pos. Fig.	Antal/Quantity			Art nr Part No	Benämning	Description	Sats Kit	Anmärkning Notes
	7435	7441 7442						
1	1	1		1319-1134-01	Vindruta.....	Windscreen.....		
2	1	1		1319-1149-01	Fäste.....	Wiper motor bracket.....		
3	1	1		1319-1150-01	Vindrutetorkarmotor.....	Wiper motor.....		
4	1	1		1319-1165-01	Lock.....	Cover.....		
5	1	1		1319-1151-01	Torkarm.....	Wiper motor arm.....		
6	1	1		1319-1152-01	Torkarblad.....	Wiper blade.....		
7	1	1		1319-1135-01	Dörruta- vä.....	Door glass- LH.....		
8	5,1	5,1		1319-1142-01	Tätning.....	Seal.....		Part No/detaljnr per m
9	1	1		1319-1112-01	Dörram.....	Door frame.....		
10	1	1		1319-1124-01	Spegelarm- vä.....	Mirror arm- LH.....		
11	2	2		1319-1125-01	Backspegel.....	Mirror- LH & RH.....		
12	1	1		1319-1123-01	Spegelarm- hö.....	Mirror arm- RH.....		
13	1	1		1319-1136-01	Sidoruta- hö.....	Side glass- RH.....		
14	5,1	5,1		1319-1142-01	Tätning.....	Seal.....		Part No/detaljnr per m
15	1	1		1319-1137-01	Bakruta.....	Rear glass.....		
16	1	1		1319-1119-01	Spolarbehållare.....	Water tank.....		
17	4	4		1319-1129-01	Vattenslang.....	Water hose.....		Part No/detaljnr per m
18	1	1		1319-1128-01	Ventil.....	Valve.....		
19	2	2		1319-1130-01	Högtalargaller.....	Speaker cover.....		
20	1	1		1319-1164-01	Brytarfäste.....	Switch bracket.....		
21	1	1		1319-1163-01	Lock.....	Cover.....		
22	1	1		1319-1122-01	Innerbelysning.....	Roof lamp.....		
23	1	1		1319-1118-01	Spolarmunstycke.....	Water nozzle.....		
24	1	1		1319-1131-01	Antenn.....	Antenna.....		
25	1	1		1319-1120-01	Fäste- roterande ljus.....	Beacon bracket.....		
26	1	1		1319-1116-01	Kablage m säkringsbox.....	Cable w fuse box.....		
27	1	1		1319-1117-01	Kablage.....	Lamp cable.....		
28	2	2		1319-1115-01	Kablage.....	Front light cable.....		
29	8	8		1134-3496-05	Säkring.....	Fuse.....		15A
71	1	1		1319-1144-01	Handtag.....	Roof handle.....		
73	1	1		1319-1132-01	Gasfjäder.....	Gas spring.....		
74	1	1		1319-1162-01	Tak kpl.....	Roof.....		
75	1	1		1319-1126-01	Nödhammare.....	Emergency hammer.....		Inklusive 24- 28. Not ill./ej ill.
76	2,1	2,1		1319-1140-01	Tätning 3x130.....	Sponge 3x130.....		Part No/detaljnr per m
77	2,2	2,2		1319-1141-01	Tätning 10x15.....	Sponge 10x15.....		Part No/detaljnr per m





Utgåva Issue		Bildnr Picture No		TITAN HYTT CABIN			Sida Page	
2010- 16		2534					56	
Pos. Fig.	Antal/Quantity			Art nr Part No	Benämning	Description	Sats Kit	Anmärkning Notes
	7435	7441 7442						
30	4	4		9403-0113-00	Mutterhatt.....	Nut cover .....		
31	1	1		9747-0831-02	Mutter.....	Nut .....		
32	1	1		9699-0056-02	Bricka .....	Washer.....		
33	1	1		1319-1159-01	Gummipackning .....	Rubber gasket.....		
34	1	1		9924-0840-19	Skruv .....	Screw.....		
35	1	1		1319-1160-01	Gummipackning .....	Rubber gasket.....		
36	1	1		9924-0840-19	Skruv.....	Screw.....		
37	1	1		1319-1133-01	Gångjärn.....	Hinge .....		
38	1	1		1319-1158-01	Platta .....	Plate.....		
39	1	1		9699-0090-02	Bricka .....	Washer.....		
40	1	1		1319-1158-01	Platta .....	Plate.....		
41	1	1		1319-1160-01	Gummipackning .....	Rubber gasket.....		
42	2	2		1319-1161-01	Dörrplåtpackning .....	Door plate gasket .....		
43	1	1		1319-1143-01	Dörrhandtag m nycklar.....	Door handle w keys.....		
44	1	1		1319-1148-01	Dörrhandtag- vä.....	Door lock- LH.....		
45	2	2		1319-1127-01	Distans .....	Spacer .....		
46	1	1		1319-1155-01	Skruv .....	Screw.....		
47	1	1		1319-1154-01	Skruv .....	Screw.....		
48	1	1		1319-1153-01	Skruv .....	Screw.....		
49	1	1		1319-1147-01	Låstapp.....	Bolt striker .....		
50	2	2		9747-0631-02	Mutter.....	Nut .....		
51	1	1		1319-1156-01	Skruv.....	Screw.....		
52	1	1		1319-1146-01	Distans .....	Spacer.....		
53	1	1		1319-1111-01	Brytare- spolare .....	Switch- windscreen washer.....		
54	1	1		1319-1109-01	Brytare- rot.belysning .....	Switch- beacon.....		
55	1	1		1319-1109-01	Brytare- arb.belysning .....	Switch- worklamps.....		
56	1	1		1319-1109-01	Brytare- backspeglar .....	Switch- heated mirrors.....		
57	1	1		1319-1110-01	Brytare- vindrutetorkare.....	Switch- wiper motor.....		
58	1	1		1319-1107-01	Vippa- spolare.....	Cover- windscreen washer ..		
59	1	1		1319-1108-01	Vippa- rot.belysning.....	Cover- beacon .....		
60	1	1		1319-1104-01	Vippa- arb.belysning .....	Cover- worklamps .....		
61	1	1		1319-1105-01	Vippa- backspeglar .....	Cover- heated mirrors .....		
62	1	1		1319-1106-01	Vippa- vindrutetorkare .....	Cover- wiper motor .....		
63	2	2			Glödlampa .....	Light bulb.....		H3 - 55W
64	2	2		1319-1121-01	Arbetsbelysning.....	Worklamp .....		
65	2	2			Glödlampa .....	Light bulb.....		H4 - 12V
66	2	2			Glödlampa .....	Light bulb.....		5W - 12V
67	1	1		1319-1101-01	Strålkastare- hö .....	Headlamp- RH.....		
68	1	1		1319-1101-01	Strålkastare- vä.....	Headlamp- LH .....		
69	2	2			Glödlampa .....	Light bulb.....		21W - 12V
70	1	1		1319-1100-01	Blinkers- vä.....	Direction light- LH.....		
71	1	1		1319-1100-01	Blinkers- hö .....	Direction light- RH.....		