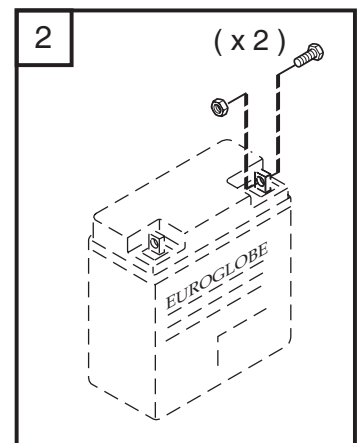
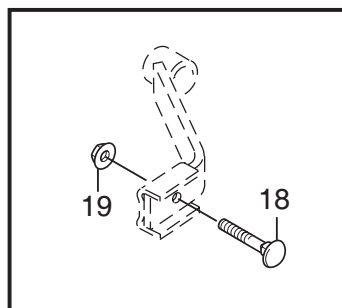
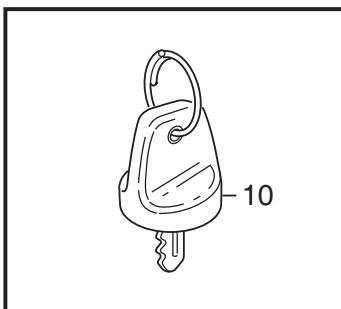
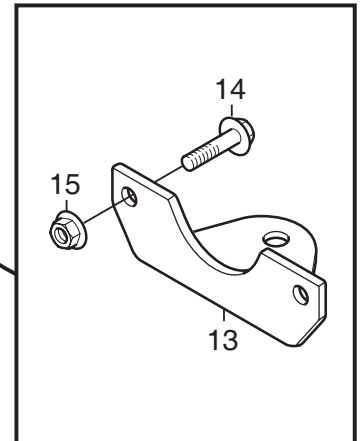
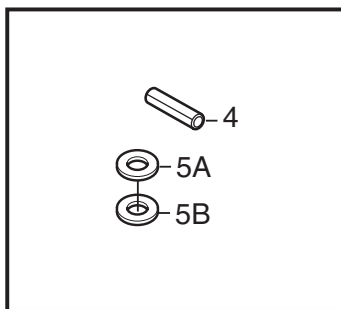
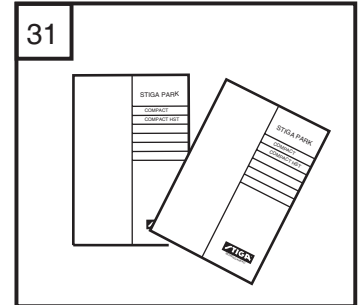
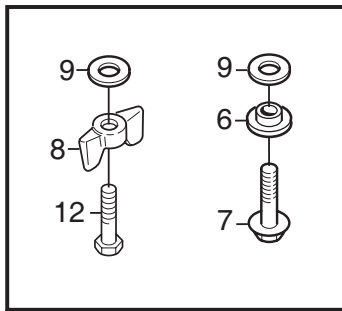
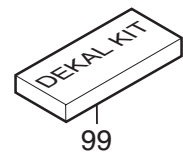
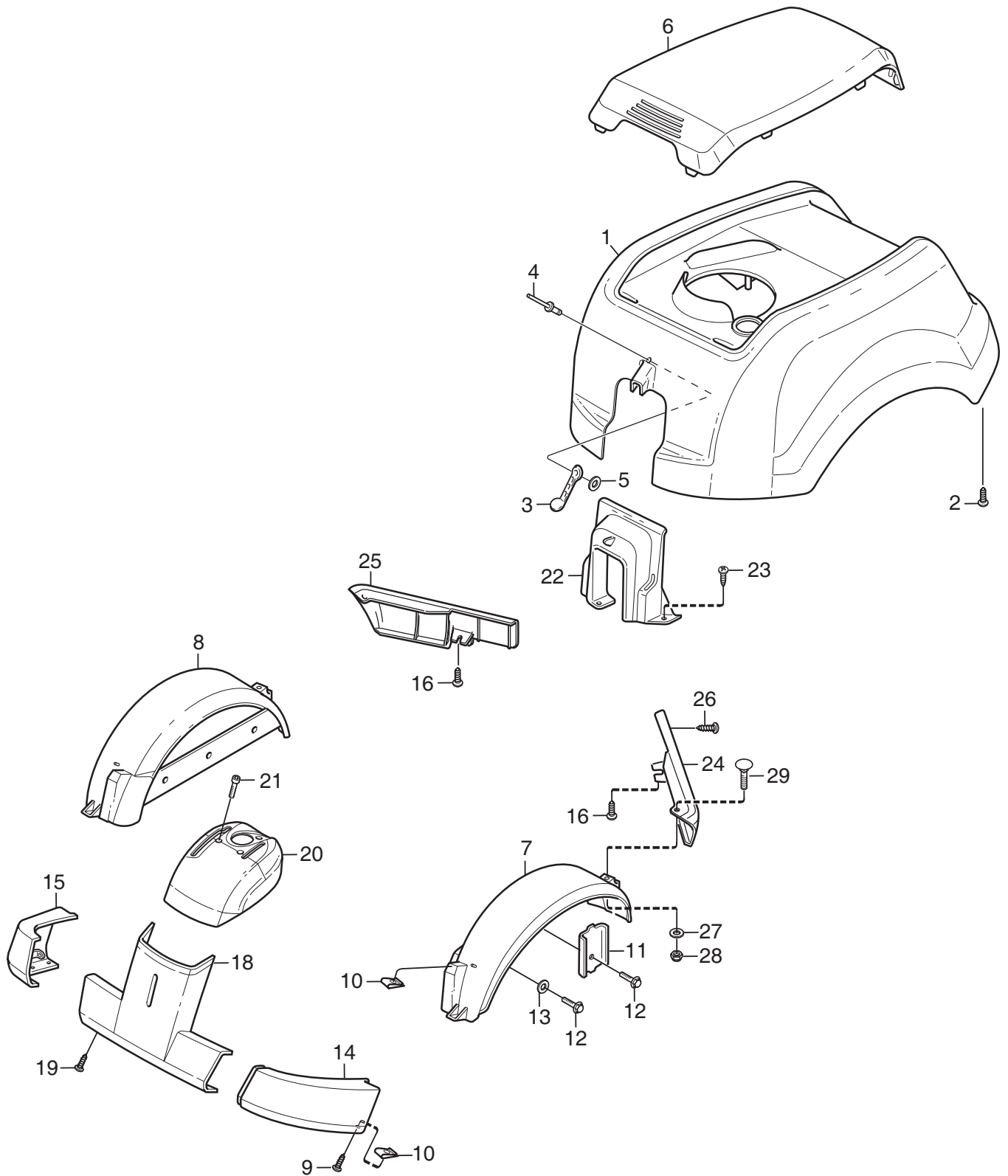


Genuine Spare Parts

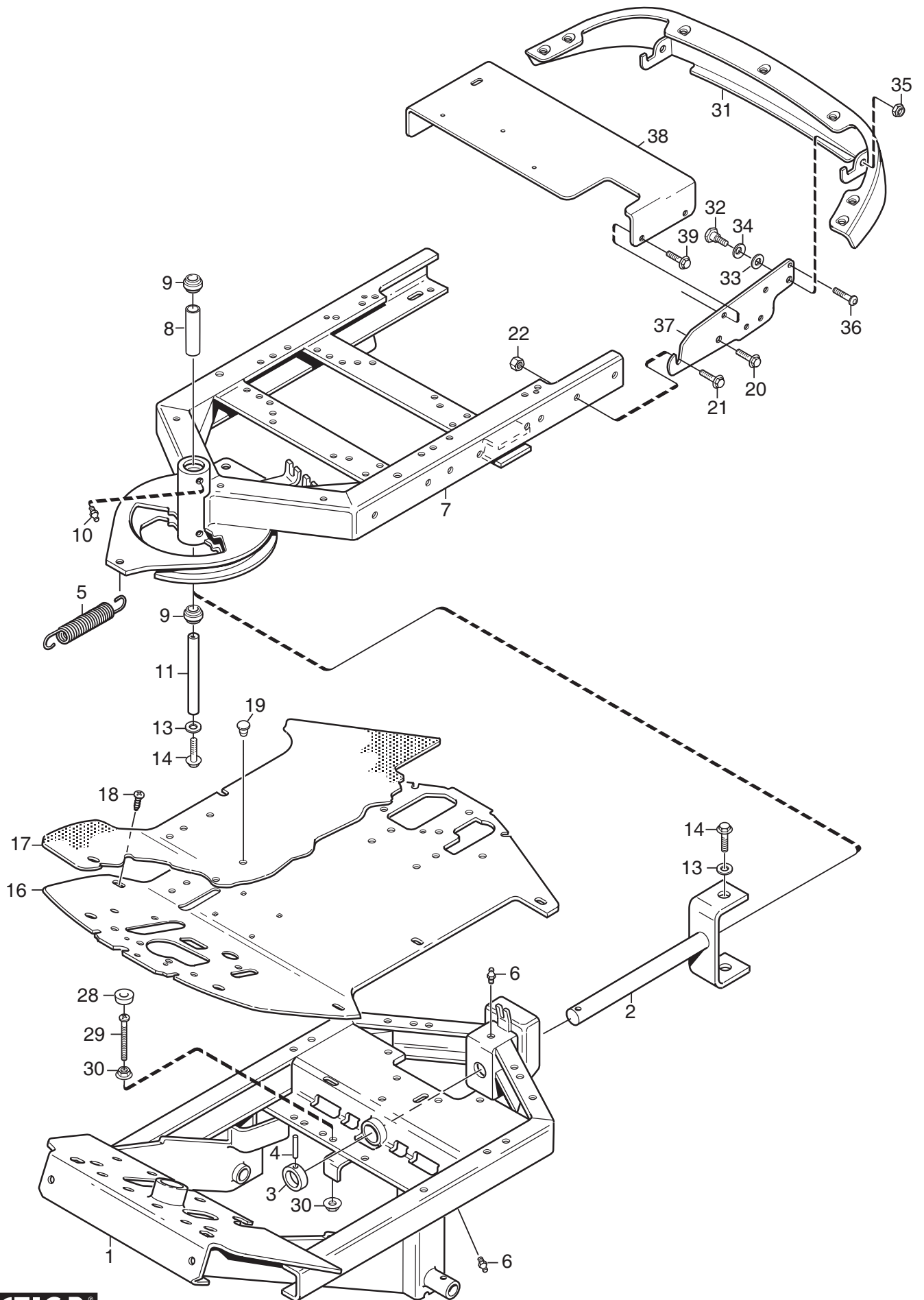




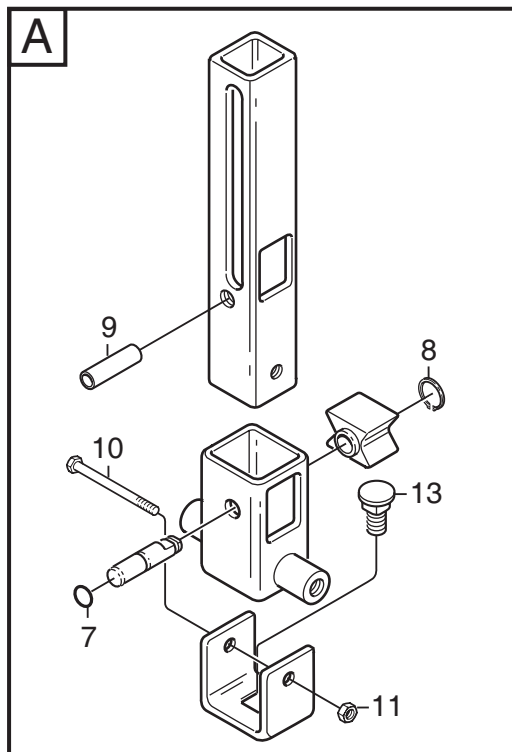
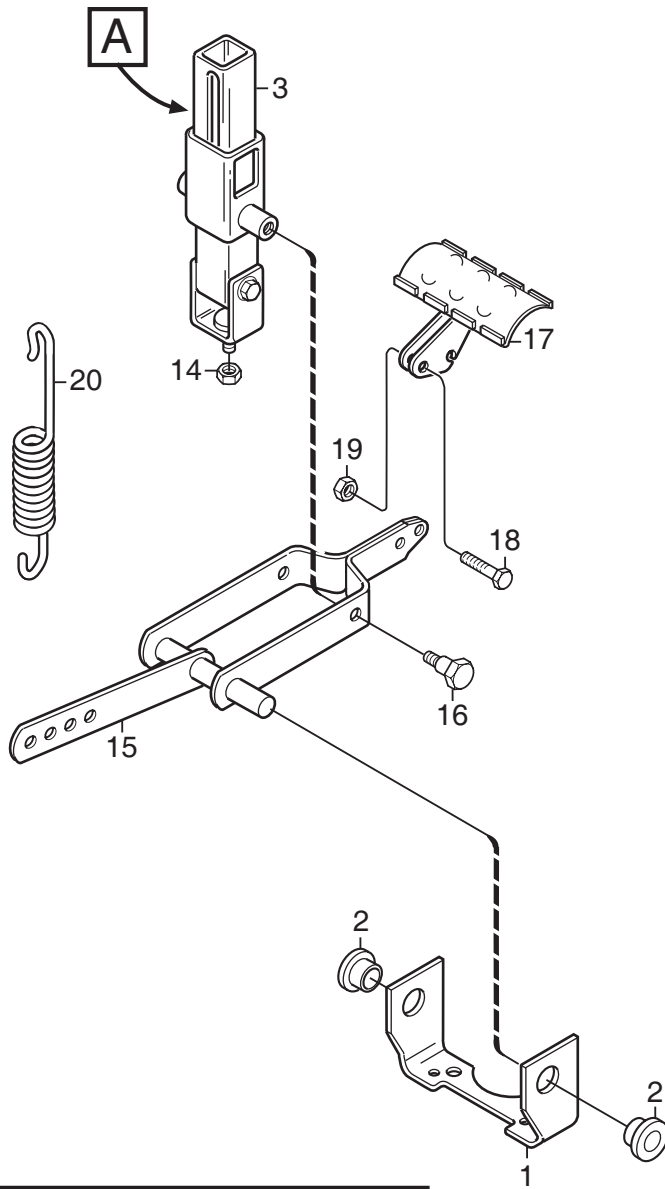
Utgåva Issue		Bildnr Picture No		PARK COMPACT 2WD MONTERINGSDETALJER		PARK COMPACT 2WD ASSEMBLY PARTS		Sida Page	
2009- 11		1638C						2	
Pos. Fig.	Antal/Quantity			Art nr Part No	Benämning	Description	Sats Kit	Anmärkning Notes	
	6109 -20	6103 -20							
2	1	1		1134-6113-01	Batteriskruvar	Battery screws			
4	1	1		9595-0262-00	Spännstift	Locating pin			
5A	1	1		9699-0103-02	Shims	Flat washer		0.5 mm	
5B	1	1		9699-0114-02	Shims	Flat washer		1.0 mm	
6	2	2		1134-4185-01	Ansatsbricka	Flange washer			
7	2	2		9959-0820-16	Skruv	Screw			
8	2	2		1134-4481-01	Vingmutter	Wing nut			
9	4	4		9699-0056-02	Planbricka	Flat washer			
10	2	2		1134-4734-01	Tändningsnyckel	Ignition key			
12	2	2		9997-0820-16	Skruv	Screw			
13	1	1		1134-5512-01	Dragplåt	Towing plate			
14	2	2		9959-0820-16	Skruv	Screw			
15	2	2		9739-0831-22	Mutter	Nut			
18	2	2		9898-1035-16	Skruv	Screw			
19	2	2		9739-1031-22	Mutter	Nut			
31		1		8211-0001-91	Bruksanvisning	Owner's manual			
31	1			8211-0002-90	Bruksanvisning	Owner's manual			
31	1	1		8211-0601-90	Monteringsanvisning	Assy instructions			
31	1	1		8211-0701-91	Säkerhetsföreskrifter	Safety regulations			
31	1	1		8211-0901-90	Servicebok	Service book			
31	1	1		8211-0960-90	Garantikort	Warranty card			



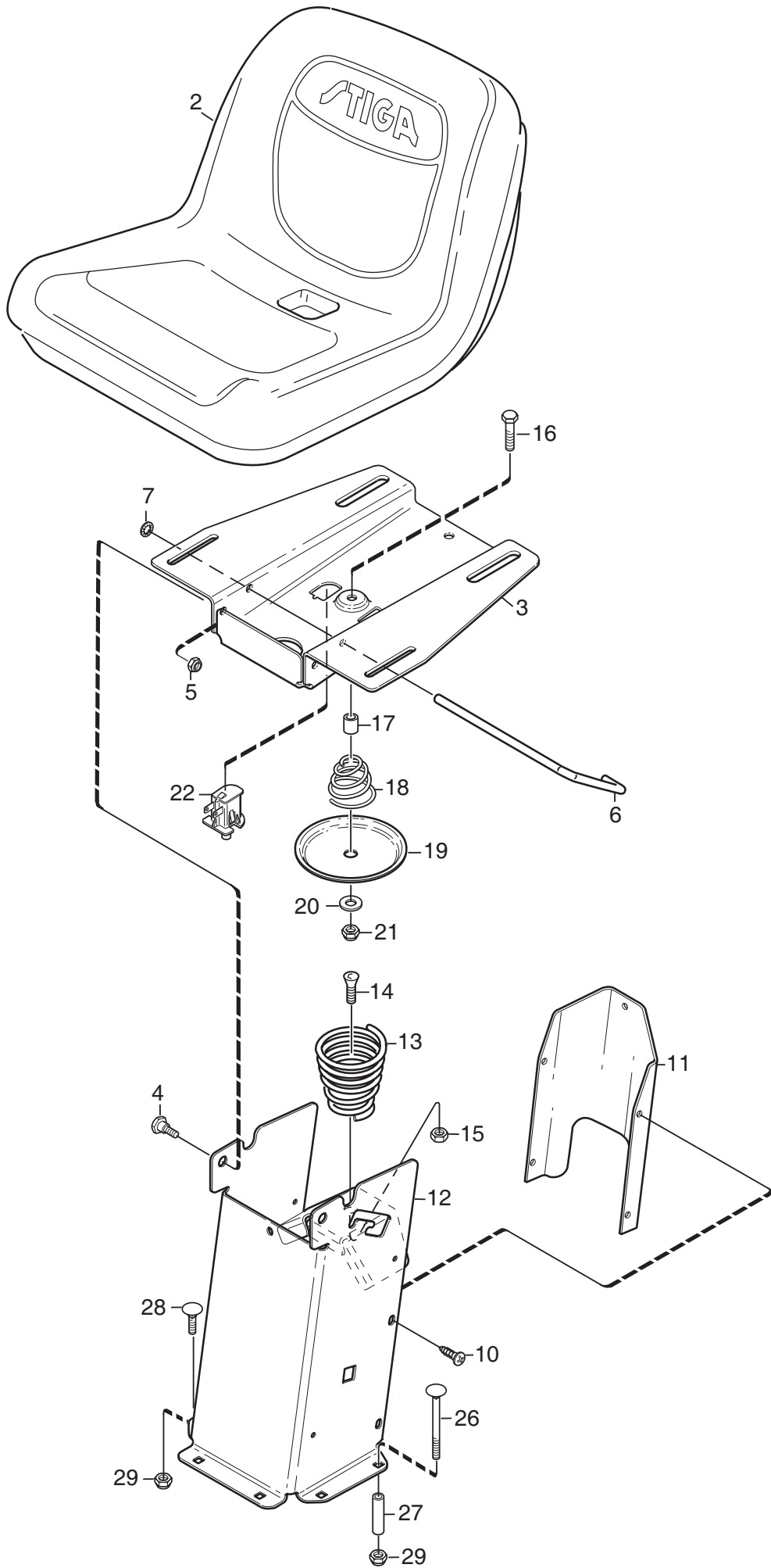
Utgåva Issue		Bildnr Picture No		PARK COMPACT 2WD KAROSS		PARK COMPACT 2WD BODY WORK		Sida Page	
2009- 11		1658B						4	
Pos. Fig.	Antal/Quantity			Art nr Part No	Benämning	Description	Sats Kit	Anmärkning Notes	
	6109 -20	6103 -20							
1	1	1		1134-5263-02	Motorhuv- gul	Engine hood- yellow		Sats 3 st/kit of 3	
2	7	7		9838-9530-12	Skruv	Screw			
3	1	1		1134-9028-01	Gummistropp- sats	Rubber strap kit			
4	1	1		9632-0516-00	Popnit	Pop rivet			
5	1	1		9699-0120-02	Bricka	Washer			
6	1	1		1134-5264-01	Motorlucka- grå	Engine cover- grey			
7	1	1		1134-5308-01	Stänkskärm vä- grå	Mud guard LH- grey			
8	1	1		1134-5308-02	Stänkskärm hö- grå	Mud guard RH- grey			
9	4	4		9893-0616-16	Skruv	Screw			
10	4	4		1134-4176-01	Clips	Clips			
11	2	2		1134-0225-00	Stödplåt	Support plate			
12	6	6		9945-0816-16	Skruv	Screw			
13	4	4		9699-0056-02	Planbricka	Flat washer			
14	1	1		1134-5306-01	Stötfångare, front- vä	Bumper, front- LH			
15	1	1		1134-5306-02	Stötfångare, front- hö	Bumper, front- RH			
16	2	2		9893-0616-16	Skruv	Screw			
18	1	1		1134-5305-01	Front- nedre	Front plate- lower			
19	2	2		9893-0616-16	Skruv	Screw			
20	1	1		1134-5320-02	Front- övre	Front- upper			
21	2	2		9946-0525-16	Skruv	Screw			
22	1	1		1134-6241-01	Huvstöd	Hood support			
23	3	3		9893-0616-16	Skruv	Screw			
24	1	1		1134-3970-05	Kantlist- vä, grå	Moulding- LH, grey			
25	1	1		1134-3970-02	Kantlist- hö, grå	Moulding- RH, grey			
26	2	2		9893-0616-16	Skruv	Screw			
27	2	2		9699-0060-02	Planbricka	Flat washer			
28	2	2		9747-0631-02	Låsmutter	Lock nut			
29	2	2		9897-0616-16	Vagnsbult	Carriage bolt			
99	1			1134-6440-01	Dekalsats	Label kit			
99		1		1134-6440-02	Dekalsats	Label kit			



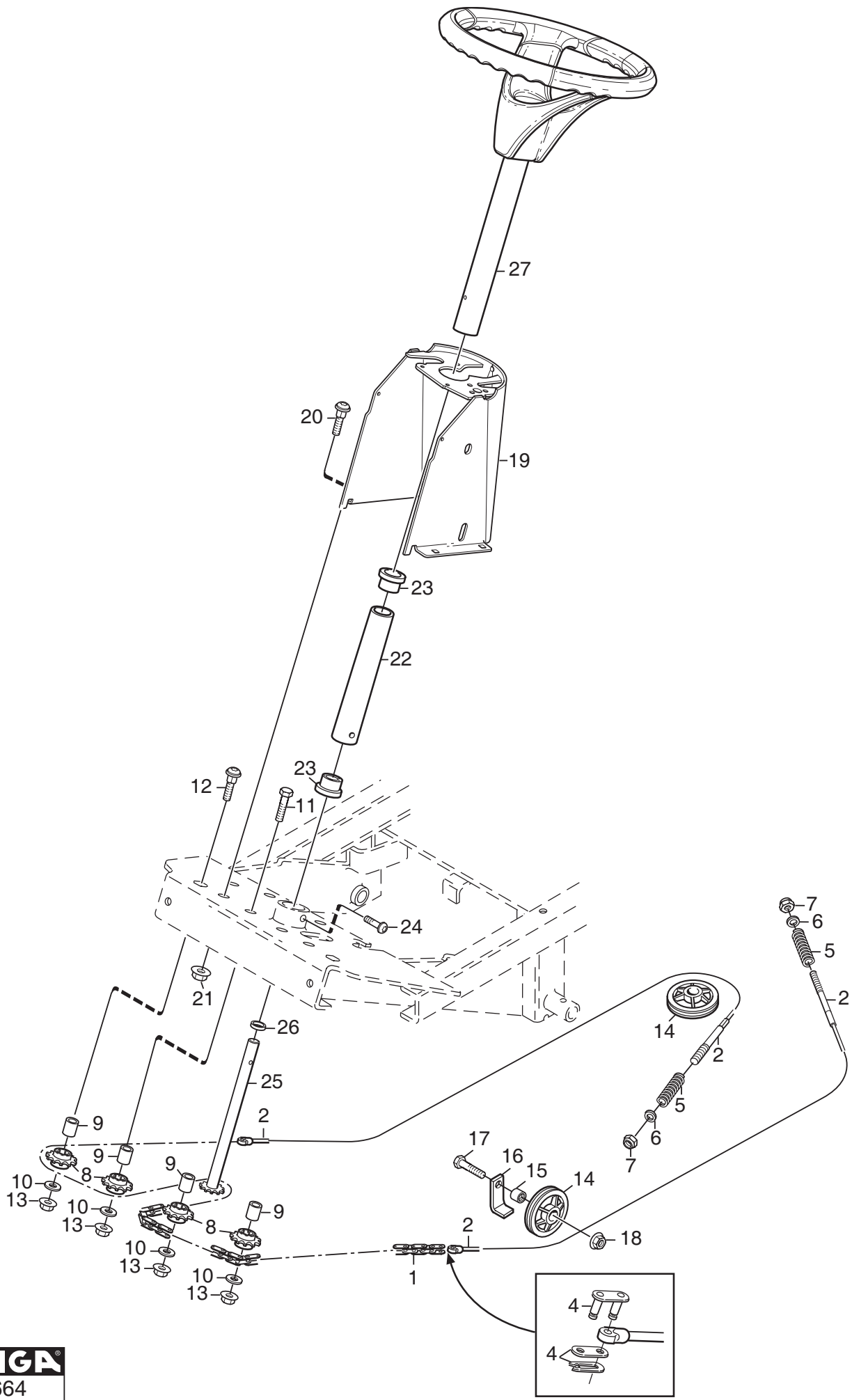
Utgåva Issue		Bildnr Picture No		PARK COMPACT 2WD RAM		PARK COMPACT 2WD FRAME		Sida Page	
2009- 11		1669C						6	
Pos. Fig.	Antal/Quantity				Art nr Part No	Benämning	Description	Sats Kit	Anmärkning Notes
	6109 6103 -20								
1	1				1134-5315-03 Ram- främre	Frame- front			
2	1				1134-3963-02 • Midjegaffel	• Clevis			
3	1				1134-0031-00 • Ledaxelstopp	• Pivot shaft stop			
4	1				9595-0262-00 • Spännstift	• Locating pin			
5	1				1134-2171-01 Fjäder.....	Spring			
6	2				9501-0500-00 Smörjnippel	Grease joint.....			
7	1				1134-6466-01 Ram- bakre	Frame- rear.....			
8	1				1134-5705-01 • Distans	• Spacer.....			
9	2				9547-0001-00 • Ledlager.....	• Bearing.....			
10	2				9501-0500-00 • Smörjnippel	• Grease joint.....			
11	1				1134-5988-01 Centrumaxel	Centre shaft.....			
13	2				9699-0035-02 Planbricka.....	Flat washer.....			
14	2				9959-1025-16 Skruv.....	Screw.....			
16	1				1134-5294-01 Durk.....	Floor plate			
17	1				1134-6372-04 Durkmatta.....	Floor mat.....			
18	2				9893-0616-16 Skruv.....	Screw.....			
19	2				9403-0048-70 Täckpropp	Plug			
20	2				9945-0816-16 Skruv.....	Screw.....			
21	2				9959-0820-16 Skruv.....	Screw.....			
22	2				9739-0831-22 Mutter.....	Nut			
28	1				1134-4975-01 Gummibuffert	Rubber block.....			
29	1				9950-0570-12 Skruv.....	Screw.....			
30	2				9739-0531-22 Mutter.....	Nut			
31	1				1134-5337-02 Stötfångare- bak, grå	Bumper- rear, grey			
32	2				1134-0240-00 Ansatssskruv.....	Shoulder screw			
33	2				1134-4242-01 Distansbricka.....	Spacer washer			
34	2				9665-0002-00 Brickfjäder	Bowed washer.....			
35	2				9747-0831-02 Mutter.....	Lock nut.....			
36	2				9943-0516-16 Skruv.....	Screw.....			
37	2				1134-5345-01 Stag	Attachment.....			
38	1				1134-5344-01 Batterihylla.....	Battery shelf.....			
39	4				9945-0816-16 Skruv.....	Screw.....			

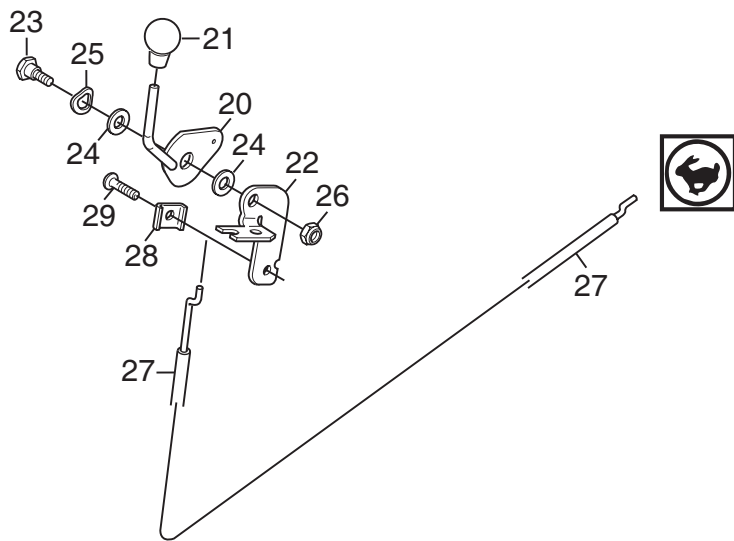
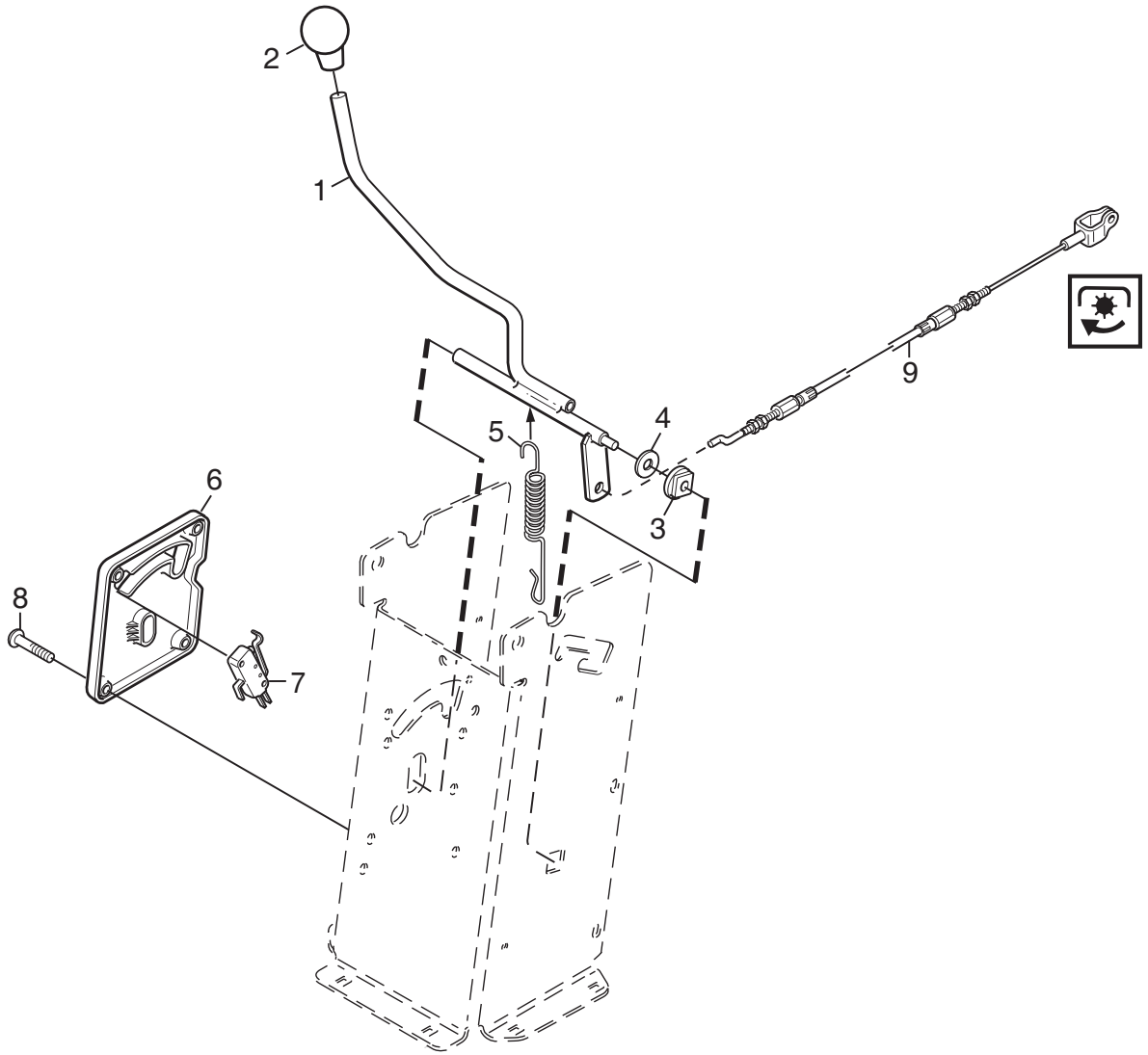


Utgåva Issue		Bildnr Picture No		PARK COMPACT 2WD PEDALLYFT		PARK COMPACT 2WD PEDAL LIFT		Sida Page	
2009- 11		1023D						8	
Pos. Fig.	Antal/Quantity				Art nr Part No	Benämning	Description	Sats Kit	Anmärkning Notes
	6109 6103 -20								
1					1134-4117-01 Fäste	Bracket			
2	2				1134-2684-01 Lager	Bearing			
3	1				1134-4945-01 Lyftspärr kpl	Lift catch assy			
7	1				9404-0027-01 • O- ring	• O- ring			
8	1				9650-0039-04 • Seegersäkring	• Lock ring			
9	1				9595-0276-01 • Spännstift	• Locating pin			
10	1				9997-0640-12 • Skruv	• Screw			
11	1				9747-0631-02 • Låsmutter	• Lock nut			
13	1				9897-0820-16 • Skruv	• Screw			
14	1				9747-0831-02 Mutter	Lock nut			
15	1				1134-4860-01 Lyftgaffel	Lift fork			
16	2				1134-0240-00 Ansatsskruv	Shoulder screw			
17	1				1134-4938-01 Lyftpedal	Lift pedal			
18	2				9997-0625-16 Skruv	Screw			
19	2				9739-0631-22 Mutter	Nut			
20	1				4231-0013-00 Fjäder	Spring			

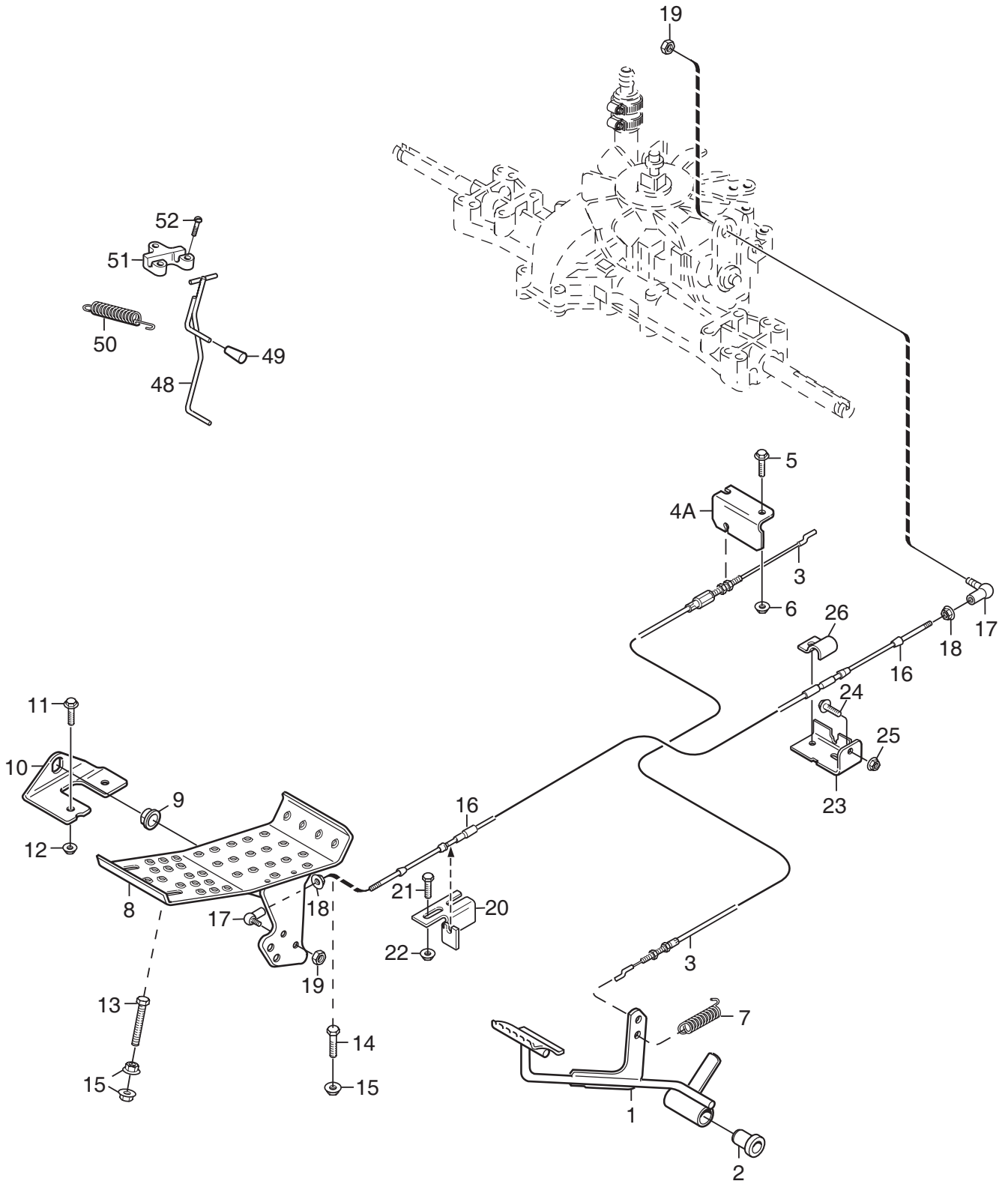


Utgåva Issue		Bildnr Picture No		PARK COMPACT 2WD SITS		PARK COMPACT 2WD SEAT		Sida Page	
2009- 11		1657B						10	
Pos. Fig.	Antal/Quantity				Art nr Part No	Benämning	Description	Sats Kit	Anmärkning Notes
	6109 6103 -20								
2	1				1134-6444-01 Sits	Seat			
3	1				1134-5301-01 Sitsplatta	Seat plate			
4	2				1134-0240-00 Ansatsskruv	Shoulder screw			
5	2				9747-0831-02 Mutter	Lock nut			
6	1				1134-5454-01 Spärr	Catch			
7	1				9675-0012-02 Starlock	Locking washer			
10	4				9893-0616-16 Skruv	Screw			
11	1				1134-5300-01 Bakstycke	Rear plate			
12	1				1134-5296-04 Sitskonsol- gul	Seat bracket- yellow			
13	1				1134-4256-01 Sitsfjäder	Seat spring			
14	1				9924-1235-19 Skruv	Screw			
15	1				9747-1231-02 Låsmutter	Lock nut			
16	1				9997-0840-16 Skruv	Screw			
17	1				1134-1565-06 Distans	Spacer			
18	1				1134-5302-01 Fjäder	Spring			
19	1				1134-5299-01 Tryckplatta	Push plate			
20	1				9699-0090-02 Planbricka	Flat washer			
21	1				9747-0831-02 Mutter	Lock nut			
22	1				1134-3156-02 Brytare (grå)	Switch (grey)			
26	2				9897-0880-12 Skruv	Screw			L = 80 mm
27	2				1134-1565-08 Distans	Spacer			
28	4				9897-0820-16 Skruv	Screw			L = 20 mm
29	6				9747-0831-02 Mutter	Lock nut			

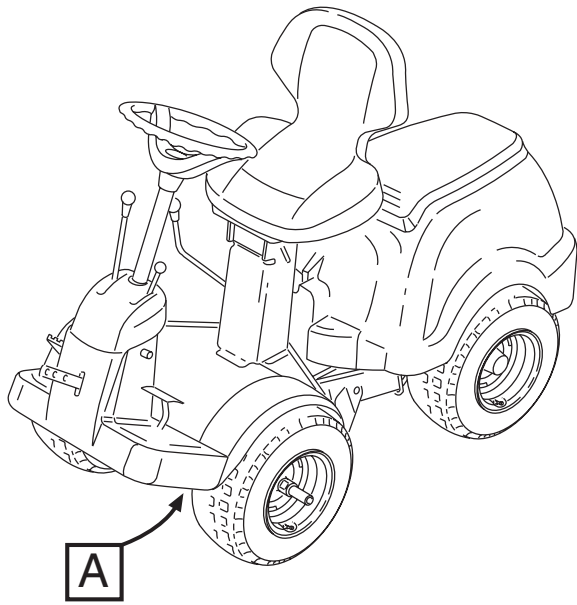




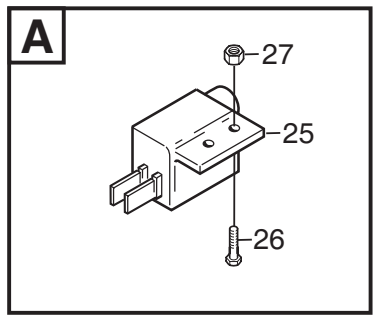
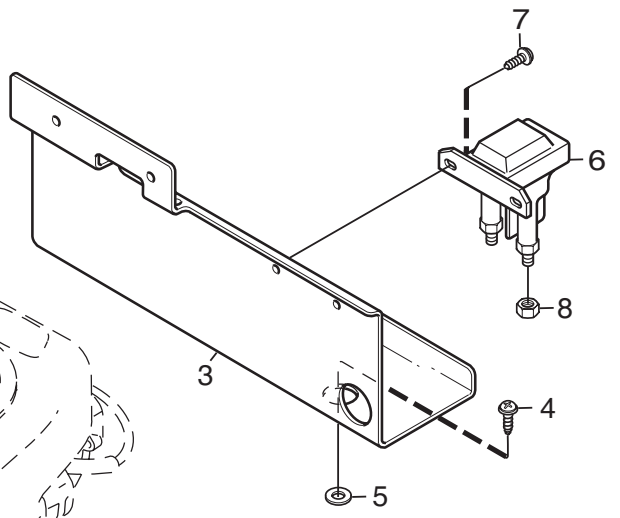
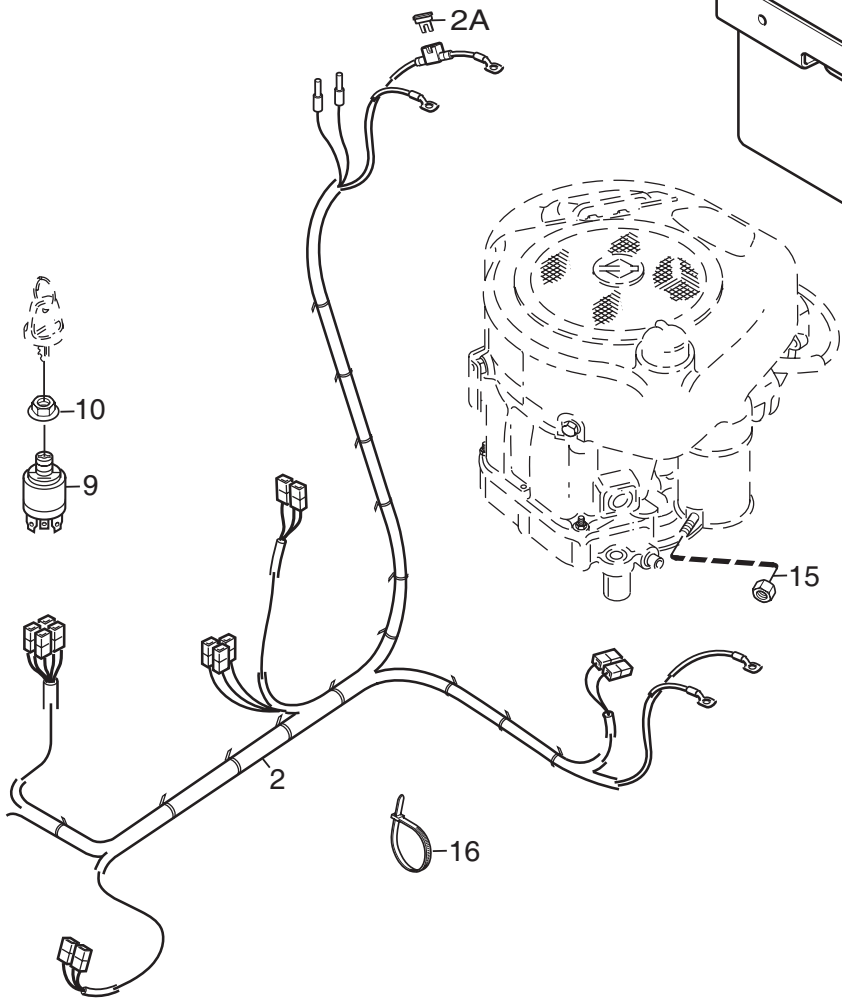
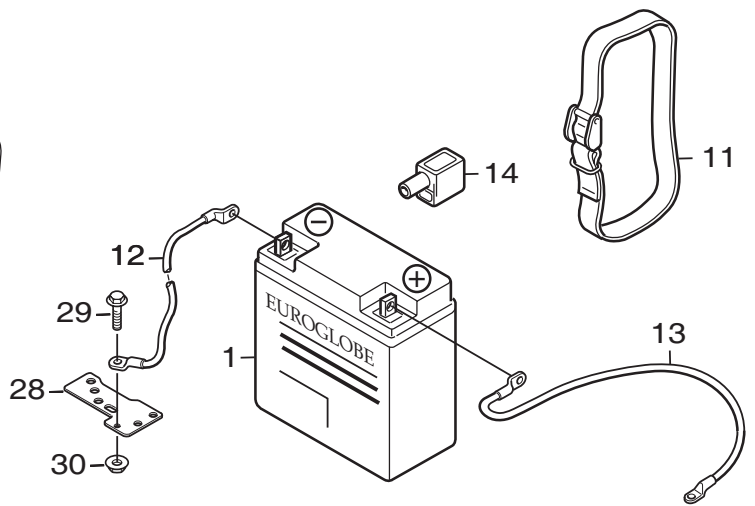
Utgåva Issue 2009- 11		Bildnr Picture No 1670B		PARK COMPACT 2WD HANDREGLAGE		PARK COMPACT 2WD HAND CONTROLS		Sida Page 14	
Pos. Fig.	Antal/Quantity				Art nr Part No	Benämning	Description	Sats Kit	Anmärkning Notes
	6109 6103 -20								
1	1				1134- 6301- 01	Aggregatsspak.....	Engagement lever		
2	1				1134- 2551- 01	Reglageknopp.....	Knob		
3	1				1134- 3790- 02	Lager	Bearing.....		
4	1				9699- 0090- 02	Planbricka.....	Flat washer.....		
5	1				4231- 0013- 00	Fjäder.....	Spring		
6	1				1134- 5368- 01	Panel	Dashboard		
7	1				9400- 0312- 01	Mikrobrytare.....	Micro switch		
8	4				9946- 0525- 16	Skruv	Screw		
9	1				1134- 3573- 05	Reglagewire.....	Control cable.....		
20	1				1134- 5465- 01	Gasreglage.....	Throttle lever.....		
21	1				1134- 4078- 01	Knopp.....	Knob		
22	1				1134- 5464- 01	Fäste.....	Bracket.....		
23	1				1134- 0240- 00	Ansatsskruv.....	Shoulder screw.....		
24	2				1134- 4242- 01	Distansbricka.....	Spacer washer		
25	1				9694- 0001- 00	Fjäderbricka	Washer.....		
26	1				9747- 0831- 02	Mutter.....	Lock nut.....		
27	1				1134- 4197- 03	Gaswire	Throttle cable		
28	1				9500- 9991- 00	Wireklämma	Cable clamp		
29	1				9943- 0516- 16	Skruv.....	Screw.....		



Utgåva Issue		Bildnr Picture No		PARK COMPACT 2WD FOTREGLAGE		PARK COMPACT 2WD FOOT CONTROLS		Sida Page	
2009- 11		1666A						16	
Pos. Fig.	Antal/Quantity				Art nr Part No	Benämning	Description	Sats Kit	Anmärkning Notes
	6109 6103 -20								
1	1				1134-4247-01	Broms/kopplingspedal.....	Brake/clutch pedal.....		Sats 4 st/kit of 4
2	1				1134-9024-01	• Lager	• Bearing		
3	1				1134-3584-03	Broms/kopplingswire.....	Brake/clutch cable		
4A	1				1134-6467-01	Wirefäste	Cable holder		
5	2				9959-0820-16	Skruv	Screw		
6	2				9739-0831-22	Mutter.....	Nut		
7	1				1134-3974-01	Fjäder.....	Spring		
8	1				1134-6353-01	Drivpedal	Drive pedal		
9	2				1134-6313-01	Lager	Bearing.....		
10	2				1134-2700-01	Fäste	Bracket		
11	2				9959-0820-16	Skruv	Screw		
12	2				9739-0831-22	Mutter.....	Nut		
13	1				9997-0870-16	Skruv	Screw		
14	1				9959-0820-16	Skruv	Screw		
15	3				9739-0831-22	Mutter.....	Nut		
16	1				1134-2766-05	Reglagewire.....	Speed control cable		
17	2				9570-0001-00	Vinkellänk	Elbow link		
18	2				9739-0531-22	Mutter.....	Nut		
19	2				9747-0531-02	Mutter.....	Nut		
20	1				1134-6317-01	Wirefäste	Cable holder		
21	2				9959-0620-16	Skruv	Screw		
22	2				9739-0631-22	Mutter.....	Nut		
23	1				1134-3395-01	Fäste	Attachment.....		
24	2				9959-0820-16	Skruv	Screw		
25	2				9739-0831-22	Mutter.....	Nut		
26	1				1134-2021-01	Växelwirefäste	Clamp.....		
48	1				1134-5353-01	Bromsstång	Brake rod		
49	1				1134-2786-01	Plastknopp.....	Plastic knob		
50	1				1131-1497-01	Fjäder.....	Spring		
51	1				1134-4002-01	Fäste	Brake rod attachment.....		
52	3				9838-9516-12	Skruv	Screw		

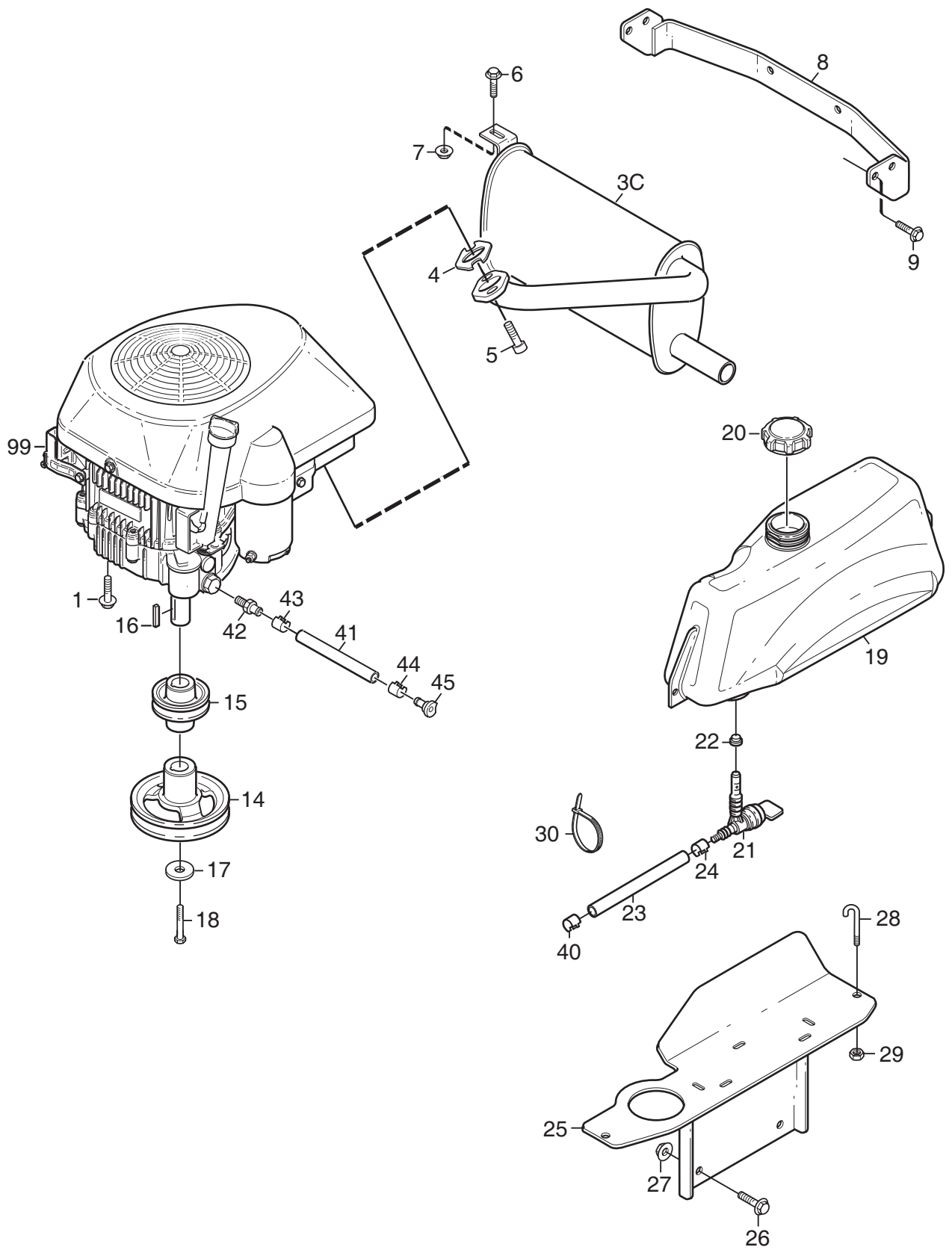


A

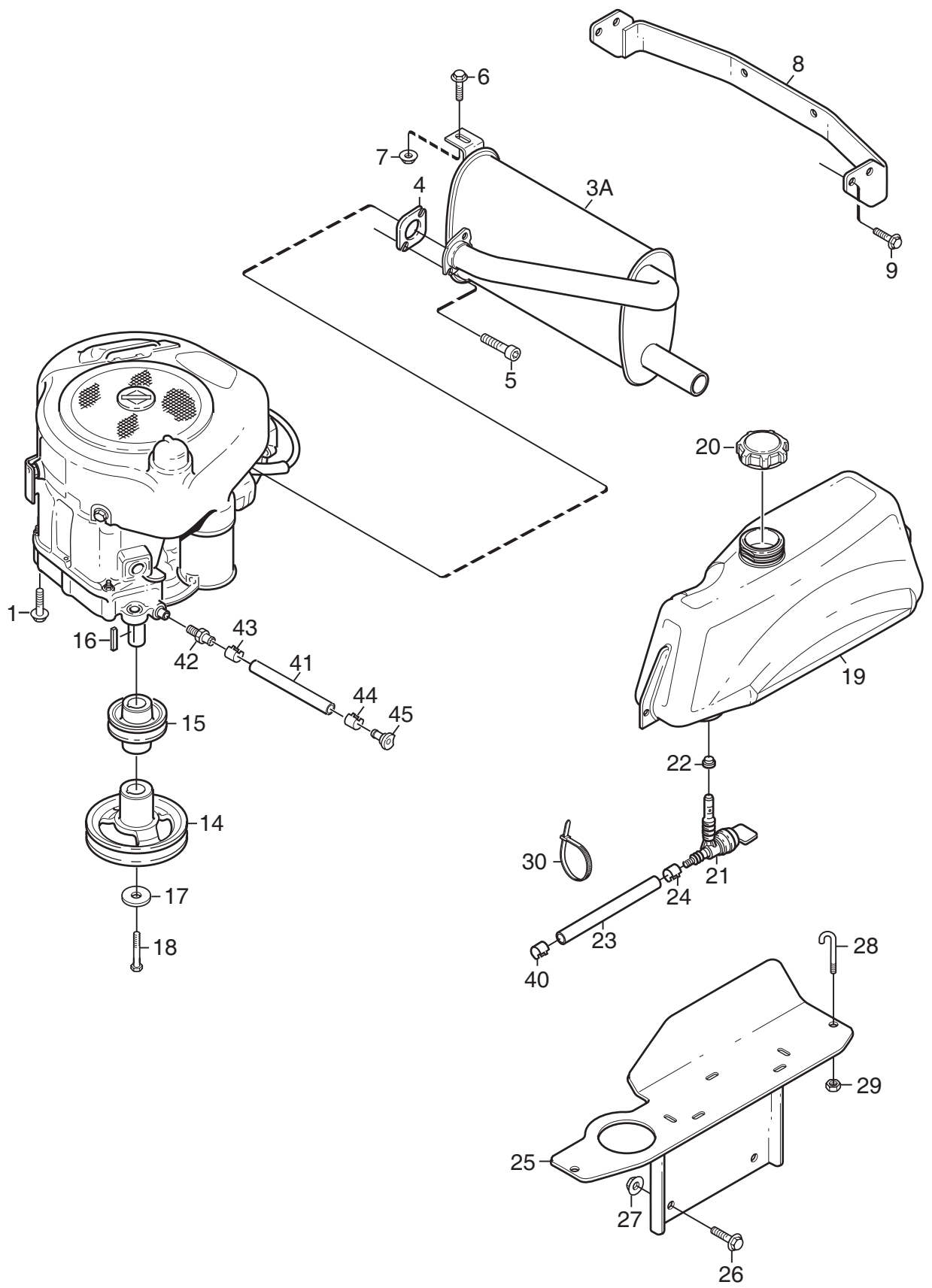


A

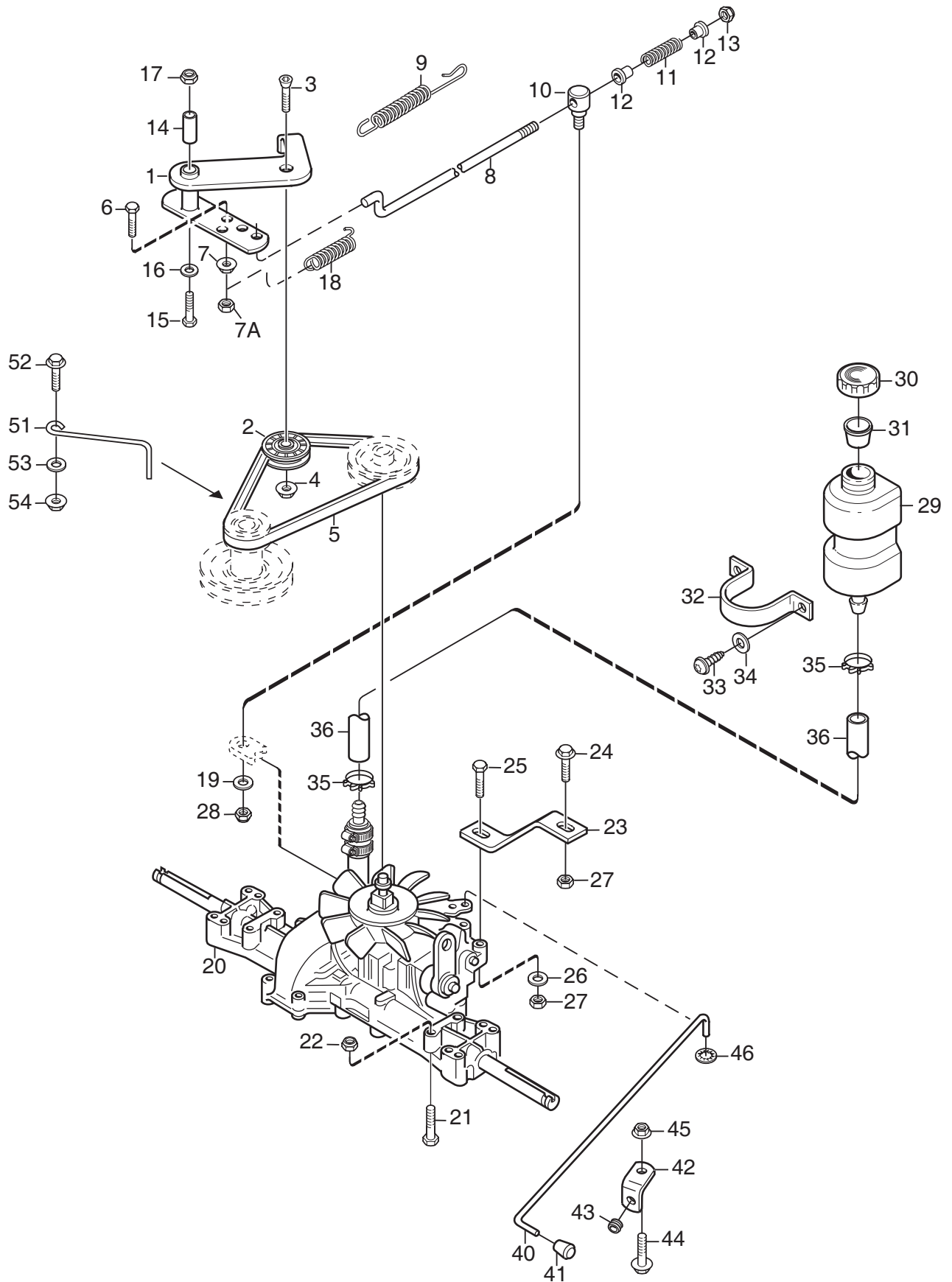
Utgåva Issue 2009- 11		Bildnr Picture No 1671C		PARK COMPACT 2WD ELUTRUSTNING		PARK COMPACT 2WD EL. EQUIPMENT		Sida Page 18	
Pos. Fig.	Antal/Quantity			Art nr Part No	Benämning	Description	Sats Kit	Anmärkning Notes	
	6109 -20	6103 -20							
1	1	1		1134-4804-01	Batteri	Battery			
2	1	1		1134-5769-01	Kablage	Harness			
2A	1	1		1134-3496-06	• Säkring	• Fuse		20A	
3	1	1		1134-5343-01	Batterikonsol	Battery bracket			
4	3	3		9852-8013-16	Skruv	Screw			
5	2	2		9699-0060-02	Planbricka	Flat washer			
6	1	1		1134-2962-01	Solenoid kpl	Solenoid assy			
7	2	2		9852-8013-16	Skruv	Screw			
8	2	2		9794-5131-02	• Mutter	• Nut			
9	1	1		1134-4093-01	Tändningslås	Ignition switch			
10	1	1		1134-4749-01	Mutter	Nut			
11	1	1		1134-5245-01	Batterirem	Battery strap			
12		1		1134-2167-01	Kabel	Cable		L = 530 mm	
12	1			1134-2167-02	Kabel	Cable		L = 630 mm	
13	1	1		1134-0234-02	Batterikabel (+)	Battery cable (+)			
14	1	1		1134-2310-01	Batteriskydd	Guard cap			
15		1		9795-3531-02	Mutter	Nut		1/4" UNC	
15	1			9739-0631-22	Mutter	Nut		M6	
16	15	15		9579-0003-00	Buntband	Cable holder			
25	1	1		1134-3399-02	Brytare	Switch			
26	2	2		9997-0520-16	Skruv	Screw			
27	2	2		9747-0531-02	Mutter	Nut			
28	1			1134-6454-01	Jordplåt	Ground plate			
29	1			9959-0612-16	Skruv	Screw			
30	1			9739-0631-22	Mutter	Nut			



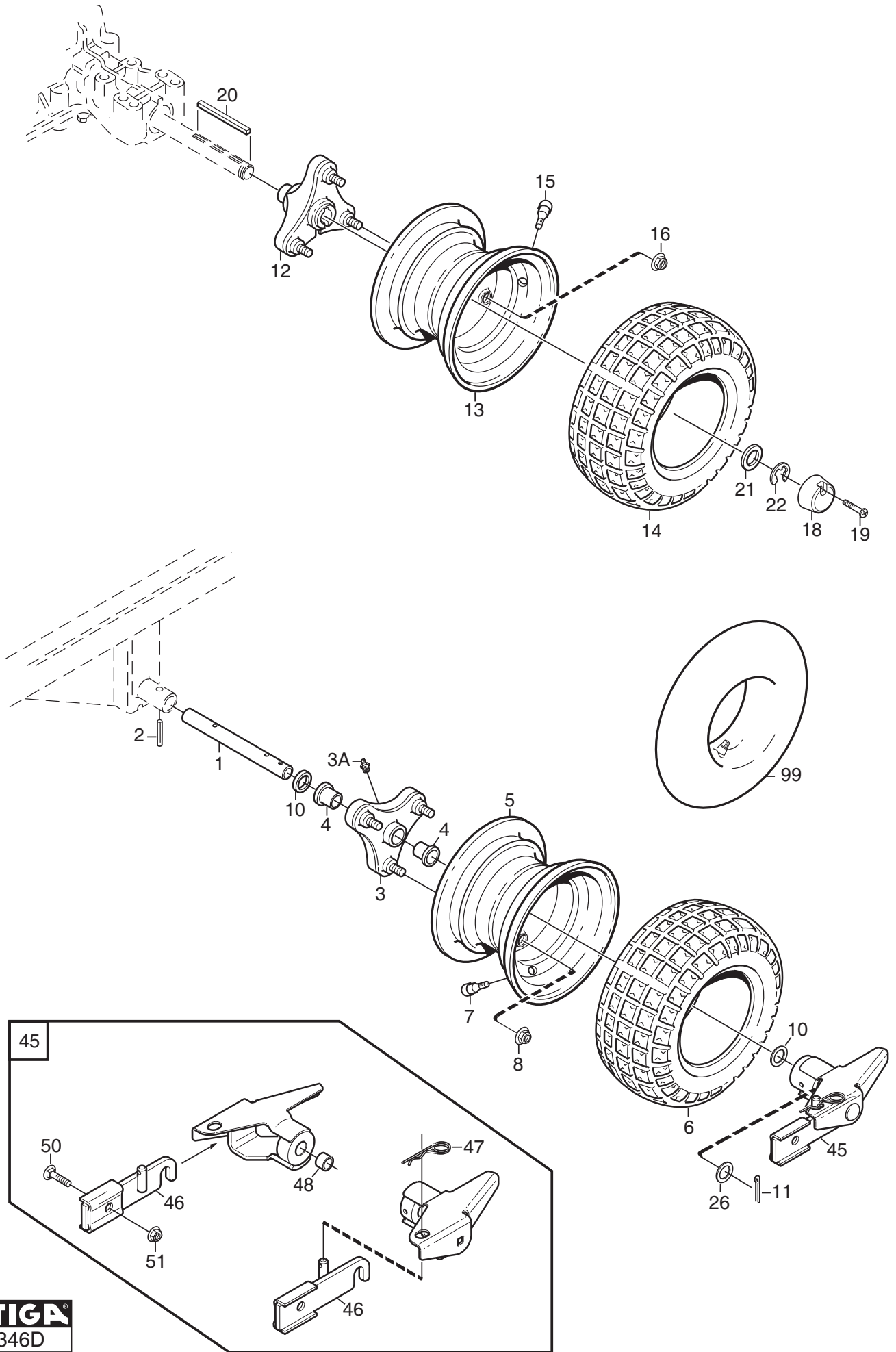
Utgåva Issue 2009- 11		Bildnr Picture No 1672D		PARK COMPACT 2WD MOTOR (GGP)		PARK COMPACT 2WD ENGINE (GGP)		Sida Page 20	
Pos. Fig.	Antal/Quantity				Art nr Part No	Benämning	Description	Sats Kit	Anmärkning Notes
	6109 -20								
1	3				9955-3725-16 Skruv.....	Screw.....		3/8" UNC x 25 mm	
3C	1				1134-6622-01 Ljuddämpare	Muffler			
4	1				1134-6624-01 Ljuddämparpackning.....	Muffler gasket.....			
5	2				1134-4930-01 Skruv.....	Screw.....			
6	1				9959-0820-16 Skruv.....	Screw.....			
7	1				9739-0831-22 Mutter.....	Nut.....			
8	1				1134-5390-01 Dragkroksbalk	Tow bar bracket.....			
9	4				9945-0816-16 Skruv.....	Screw.....			
14	1				1134-6419-01 Motorremskiva	Engine pulley.....			
15	1				1134-6137-01 Motorremskiva	Engine pulley.....			
16	1				9600-0251-01 Kil	Key		L = 2 1/2"	
17	1				1134-5017-01 Bricka	Washer.....			
18	1				9987-5332-16 Skruv.....	Screw			
19	1				1134-6618-01 Bränsletank.....	Fuel tank			
20	1				1134-5532-01 Tanklock	Fuel tank cap.....			
21	1				1134-3224-01 Bensinkran.....	Fuel shut-off valve.....			
22	1				1134-3225-01 Gummibussning	Grommet.....			
23	1				1134-2975-09 Bensinslang	Fuel hose.....		L = 630 mm	
24	1				9578-0023-02 Slangklämna.....	Hose clamp			
25	1				1134-6627-01 Tankkonsol	Fuel tank bracket.....			
26	2				9959-0820-16 Skruv.....	Screw.....			
27	2				9739-0831-22 Mutter.....	Nut.....			
28	2				1134-5346-01 Tankbygel	Fuel tank loop.....			
29	2				9747-0631-02 Låsmutter	Lock nut.....			
30	1				9579-0003-00 Buntband	Cable holder			
40	1				9578-0023-02 Slangklämna.....	Hose clamp			
41	1				1134-5827-01 Oljeavtappning kpl	Oil drain assy		Inkl. pos 42- 45	
42	1				1134-5825-01 • Nippel	• Nipple.....			
43	1				9578-0023-04 • Slangklämna.....	• Hose clamp			
44	1				1134-3499-02 • Slangklämna.....	• Hose clamp			
45	1				1134-5826-01 • Plugg	• Plug.....			
99	1				1134-9501-01 Motor kpl.....	Engine assy.....		GGP WM 14	



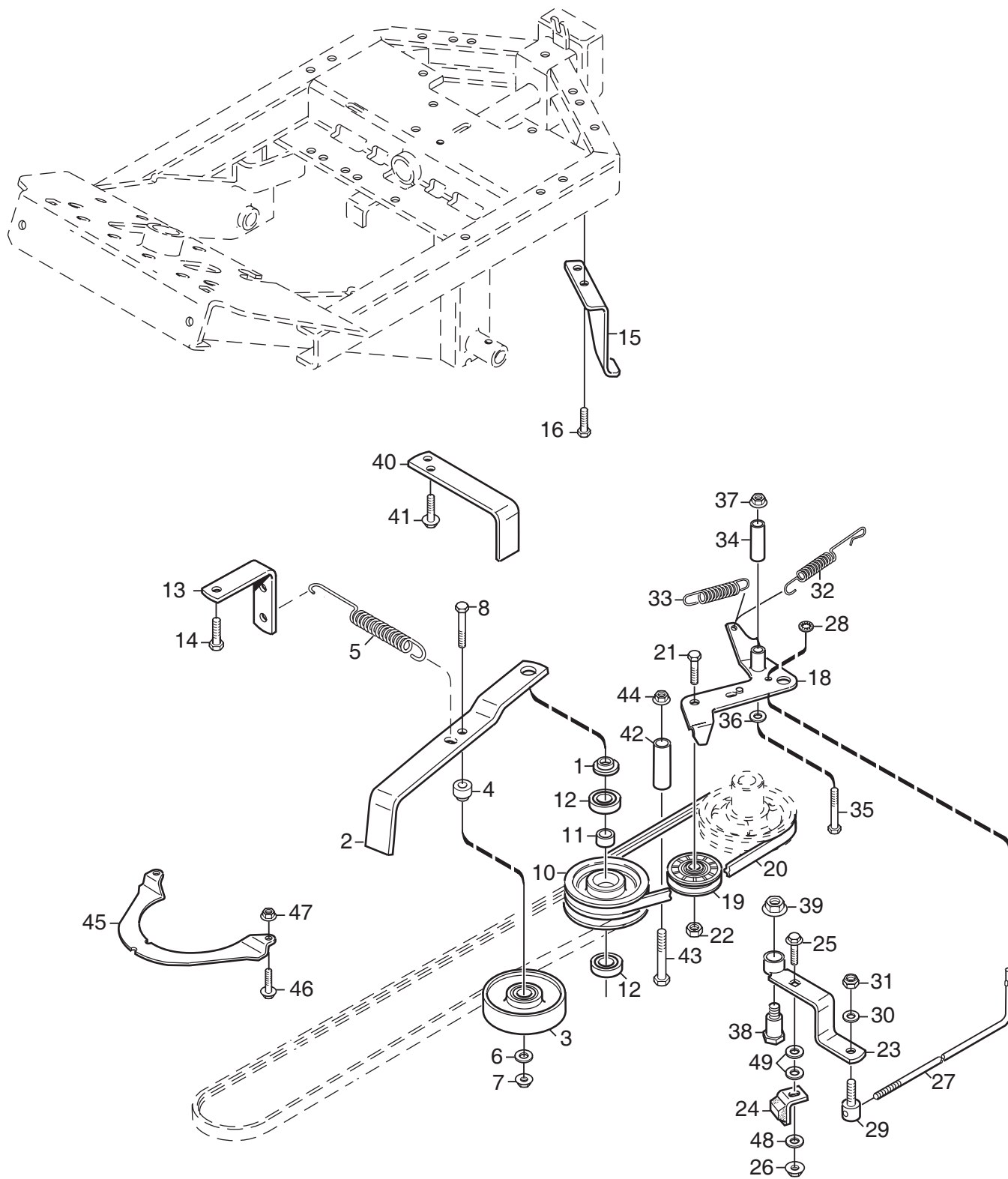
Utgåva Issue 2009- 11		Bildnr Picture No 1672E		PARK COMPACT 2WD MOTOR (Briggs & Stratton)		PARK COMPACT 2WD ENGINE (Briggs & Stratton)		Sida Page 22	
Pos. Fig.	Antal/Quantity				Art nr Part No	Benämning	Description	Sats Kit	Anmärkning Notes
	6103 -20								
1	4				9955-3725-16 Skruv.....	Screw.....		3/8" UNC x 25 mm	
3A	1				1134-7784-01 Ljuddämpare	Muffler			
4	1				1134-0433-00 Ljuddämparpackning.....	Muffler gasket.....			
5	2				1134-4930-01 Skruv.....	Screw.....			
6	1				9959-0820-16 Skruv.....	Screw.....			
7	1				9739-0831-22 Mutter.....	Nut.....			
8	1				1134-5390-01 Dragkroksbalk	Tow bar bracket.....			
9	4				9945-0816-16 Skruv.....	Screw.....			
14	1				1134-6419-01 Motorremskiva	Engine pulley.....			
15	1				1134-6137-01 Motorremskiva	Engine pulley.....			
16	1				9600-0251-01 Kil	Key		L = 2 1/2"	
17	1				1134-5017-01 Bricka	Washer.....			
18	1				9987-5332-16 Skruv.....	Screw			
19	1				1134-6618-01 Bränsletank.....	Fuel tank			
20	1				1134-5532-01 Tanklock	Fuel tank cap.....			
21	1				1134-3224-01 Bensinkran.....	Fuel shut-off valve.....			
22	1				1134-3225-01 Gummibussning	Grommet.....			
23	1				1134-2975-01 Bensinslang	Fuel hose.....		L = 520 mm	
24	1				9578-0023-02 Slangklämna.....	Hose clamp			
25	1				1134-6627-01 Tankkonsol	Fuel tank bracket.....			
26	2				9959-0820-16 Skruv.....	Screw.....			
27	2				9739-0831-22 Mutter.....	Nut.....			
28	2				1134-5346-01 Tankbygel	Fuel tank loop.....			
29	2				9747-0631-02 Låsmutter	Lock nut.....			
30	1				9579-0003-00 Buntband	Cable holder			
40	1				9578-0023-02 Slangklämna.....	Hose clamp			
41	1				1134-5827-01 Oljeavtappning kpl	Oil drain assy		Inkl. pos 42- 45	
42	1				1134-5825-01 • Nippel	• Nipple.....			
43	1				9578-0023-04 • Slangklämna.....	• Hose clamp			
44	1				1134-3499-02 • Slangklämna.....	• Hose clamp			
45	1				1134-5826-01 • Plugg	• Plug.....			



Utgåva Issue		Bildnr Picture No		PARK COMPACT 2WD TRANSMISSION		PARK COMPACT 2WD TRANSMISSION		Sida Page	
2009- 11		1668A						24	
Pos. Fig.	Antal/Quantity				Art nr Part No	Benämning	Description	Sats Kit	Anmärkning Notes
	6109 6103 -20								
1	1				1134-4000-02	Spännarm	Tension arm		
2	1				1134-3459-01	Spännrulle	Tension roller		
3	1				9924-1035-16	Skruv	Screw		
4	1				9799-1031-02	Mutter	Nut		
5	1				1134-9058-01	Drivrem	V- belt.....		
6	1				9997-0625-16	Skruv	Screw		
7	1				9739-0631-22	Mutter	Nut		
7A	1				9747-0631-02	Låsmutter	Lock nut		
8	1				1134-3377-02	Reglagestång	Control rod.....		
9	1				4231-0013-00	Fjäder.....	Spring		
10	1				1134-4171-01	Ledtapp	Pivot pin.....		
11	1				1134-4183-01	Tryckfjäder.....	Compression spring.....		
12	2				1134-3456-01	Bussning	Bushing.....		
13	1				9747-0631-02	Låsmutter	Lock nut		
14	1				1134-1565-08	Distans	Spacer.....		
15	1				9997-0870-16	Skruv	Screw		
16	1				9699-0056-02	Planbricka.....	Flat washer.....		
17	1				9747-0831-02	Mutter.....	Lock nut.....		
18	1				1134-6414-01	Fjäder.....	Spring		
19	1				9699-0060-02	Planbricka.....	Flat washer.....		
20	1				1134-7767-01	Transaxel kpl.....	Transaxle assy.....		Kanzaki K46CI
21	4				9960-0860-12	Skruv	Screw		
22	4				9747-0831-02	Mutter.....	Lock nut.....		
23	1				1134-3913-01	Reaktionsstag.....	Strut.....		
24	1				9959-0825-16	Skruv	Screw		
25	1				9997-0845-12	Skruv	Screw		
26	1				9699-0090-02	Planbricka.....	Flat washer.....		
27	2				9747-0831-02	Mutter.....	Lock nut.....		
28	1				9747-0631-02	Låsmutter	Lock nut		
29	1				1134-2765-02	Oljetank	Oil tank.....		
30	1				1134-2777-02	Tanklock	Filler cap		
31	1				1134-3734-01	Luftningsplugg	Vent plug.....		
32	1				1134-2778-01	Fästband	Retainer strap		
33	2				9852-8013-16	Skruv	Screw		
34	2				9699-0099-02	Bricka	Washer.....		
35	2				9578-0023-04	Slangklämma.....	Hose clamp		
36	1				1134-2779-07	Slang	Tube		L = 140 mm
40	1				1134-4015-01	Dragstång	Pull rod		
41	1				1134-4014-01	Plastknopp.....	Plastic button.....		
42	1				1134-4713-01	Vinkel.....	Bracket.....		
43	1				1134-2790-01	Gummihylsa	Rubber grommet.....		
44	1				9959-0820-16	Skruv	Screw		
45	1				9739-0831-22	Mutter.....	Nut		
46	1				9675-0009-02	Starlock	Starlock		
51	1				1134-3289-02	Remstyrning.....	Belt guide.....		
52	1				9959-0820-16	Skruv	Screw		
53	1				9699-0056-02	Planbricka.....	Flat washer.....		
54	1				9739-0831-22	Mutter.....	Nut.....		



Utgåva Issue		Bildnr Picture No		PARK COMPACT 2WD HJUL		PARK COMPACT 2WD WHEELS		Sida Page	
2009- 11		1346D						26	
Pos. Fig.	Antal/Quantity			Art nr Part No	Benämning	Description	Sats Kit	Anmärkning Notes	
	6109 -20	6103 -20							
1	2	2		1134-0075-01	Framaxeltapp	Front axle			
2	2	2		9595-0258-00	Spännstift	Locating pin			
3	2	2		1134-4844-05	Hjulnav kpl	Wheel hub assy			
3A	1	1		9501-0500-00	• Smörjnippel	• Grease joint			
4	1	1		1134-9026-01	• Lagerbussning	• Bearing bush kit		Sats 4 st/kit of 4	
5		2		1134-4558-01	Fälg	Rim			
5	2			1134-5255-01	Fälg	Rim			
6		2		9545-0116-00	Däck	Tyre		16 x 7.50 - 8	
6	2			9545-0126-01	Däck	Tyre		16 x 6.00 - 8	
7	2	2		9545-0500-00	Ventil	Valve			
8	6	6		9731-1031-22	Mutter	Nut			
10	8	8		1134-0341-01	Bricka	Washer			
11	2	2		9599-0080-02	SaxsprintCotter pin			
12	2	2		1134-4844-02	Hjulnav	Wheel hub			
13		2		1134-4558-01	Fälg	Rim			
13	2			1134-5255-01	Fälg	Rim			
14		2		9545-0116-00	Däck	Tyre		16 x 7.50 - 8	
14	2			9545-0126-01	Däck	Tyre		16 x 6.00 - 8	
15	2	2		9545-0500-00	Ventil	Valve			
16	6	6		9731-1031-22	Mutter	Nut			
18	2	2		1134-4796-01	Navkapsel	Hub cap			
19	2	2		9947-0540-19	Skruv	Screw			
20	2	2		1134-2471-01	Kil	Key		L = 58 mm	
21	2	2		9699-0042-02	Planbricka	Flat washer			
22	2	2		9653-0001-04	Spårryttare	Lock ring			
26	2	2		9699-0042-02	.PlanbrickaFlat washer			
45	1	1		13-0992-61	Snabbfästen kpl	Quick connections assy		Inkl. pos 11, 26, 46 - 51	
46	1	1		1134-7465-01	.Fästen kplAttachments assy		Inkl. pos 50 - 51	
47	2	2		9598-2001-02	.LåsnålSpring pin			
48	2	2		9548-0026-01	.LagerBearing			
50	2	2		9898-1035-16	.SkruvScrew			
51	2	2		9739-1031-22	.MutterNut			
99				9545-0203-00	Innerslang	Inner tube		Reservdel/spare part	



Utgåva Issue		Bildnr Picture No		PARK COMPACT 2WD KRAFTUTTAG		PARK COMPACT 2WD POWER TAKE- OFF		Sida Page	
2009- 11		1030G						28	
Pos. Fig.	Antal/Quantity				Art nr Part No	Benämning	Description	Sats Kit	Anmärkning Notes
	6109 6103 -20								
1	1				1134-5548-01	Distans	Spacer		
2	1				1134-5109-01	Spännhjularm	Tension wheel arm		
3	1				1134-1770-01	Spännrulle	Tension roller		
4	1				1134-1888-04	Distans	Spacer		
5	1				1134-5111-01	Fjäder.....	Spring		
6	1				9699-0056-02	Planbricka.....	Flat washer.....		
7	1				9739-0831-22	Mutter.....	Nut		
8	1				9997-0855-12	Skruv.....	Screw		
10	1				1134-1769-03	Centrumremskiva kpl.....	Centre pulley assy		
11	1				1134-0051-09	• Distans	• Spacer		
12	2				9549-0019-00	• Kullager	• Ball bearing		
13	1				1134-5112-01	Fjäderfäste.....	Spring attachment.....		
14	2				9945-0816-16	Skruv.....	Screw		
15	1				1134-5110-01	Hake	Hook		
16	2				9893-0616-16	Skruv.....	Screw		
18	1				1134-2018-02	Spännarm.....	Tension arm		
19	1				1134-9027-02	Spännrulle- grå	Tension roller- grey		
20	1				1134-9071-01	Drivrem	V- belt.....		= 9585- 0129- 01
21	1				9997-1030-16	Skruv.....	Screw		
22	1				9799-1031-02	Mutter.....	Nut		
23	1				1134-4111-01	Bromsarm	Brake arm		
24	1				1134-4164-03	Bromsklots	Brake pad		
25	1				9897-0825-16	Skruv.....	Screw		
26	1				9747-0831-02	Mutter.....	Lock nut		
27	1				1134-4162-01	Bromsstång	Brake rod		
28	1				9675-0008-02	Starlock	Locking washer		
29	1				1134-4170-01	Nippel	Nipple		
30	1				9699-0025-02	Planbricka.....	Washer.....		
31	1				9747-0631-02	Låsmutter	Lock nut		
32	1				4231-0013-00	Fjäder.....	Spring		
33	1				1134-4231-01	Dragfjäder.....	Spring		
34	1				1134-1565-10	Distans	Spacer		
35	1				9997-0860-16	Skruv.....	Screw		
36	1				9699-0056-02	Planbricka.....	Flat washer.....		
37	1				9739-0831-22	Mutter.....	Nut		
38	1				1134-4163-01	Ansatsskruv	Shoulder bolt		
39	1				9731-1031-22	Mutter.....	Nut		
40	1				1134-3958-01	Remstyrning.....	Belt guide		
41	2				9893-0616-16	Skruv.....	Screw		
42	1				1134-0041-03	Hylsa	Collar		
43	1				9997-1070-12	Skruv.....	Screw		
44	1				9739-1031-22	Mutter.....	Nut		
45	1				1134-3654-01	Fingerskydd	Finger guard.....		
46	2				9959-0612-16	Skruv.....	Screw		
47	2				9739-0631-22	Mutter.....	Nut		
48	1				9699-0090-02	Planbricka.....	Flat washer.....		
49	2				9699-0035-02	Planbricka.....	Flat washer.....		