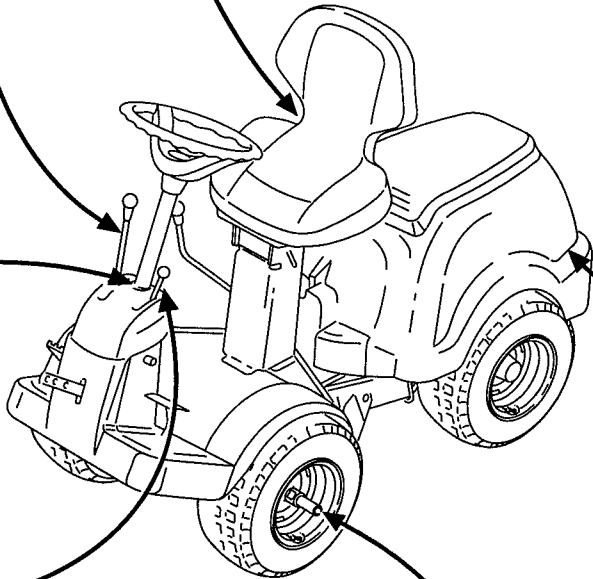
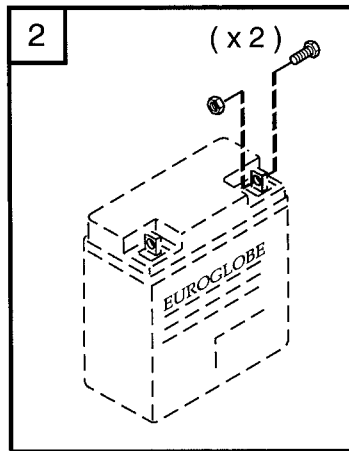
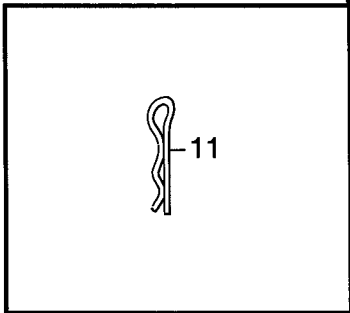
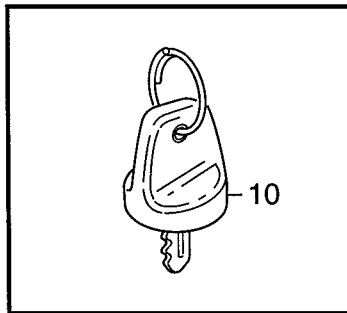
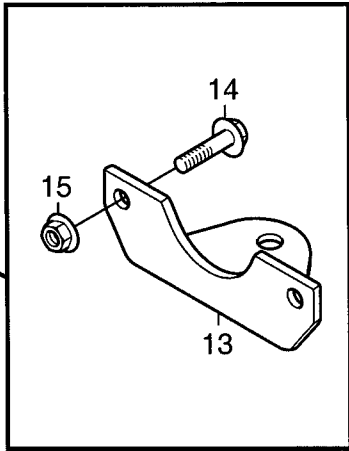
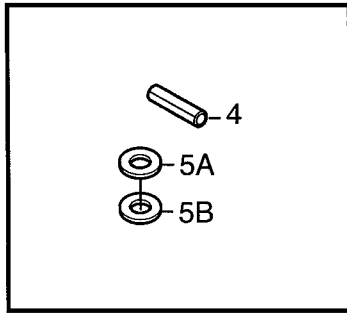
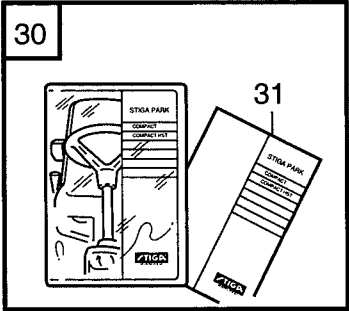
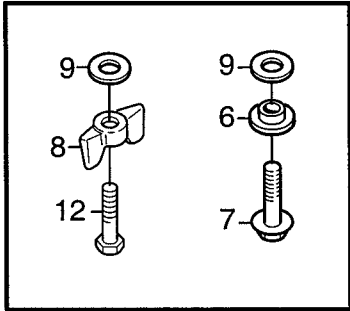
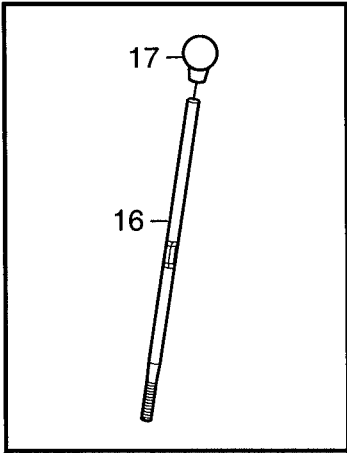
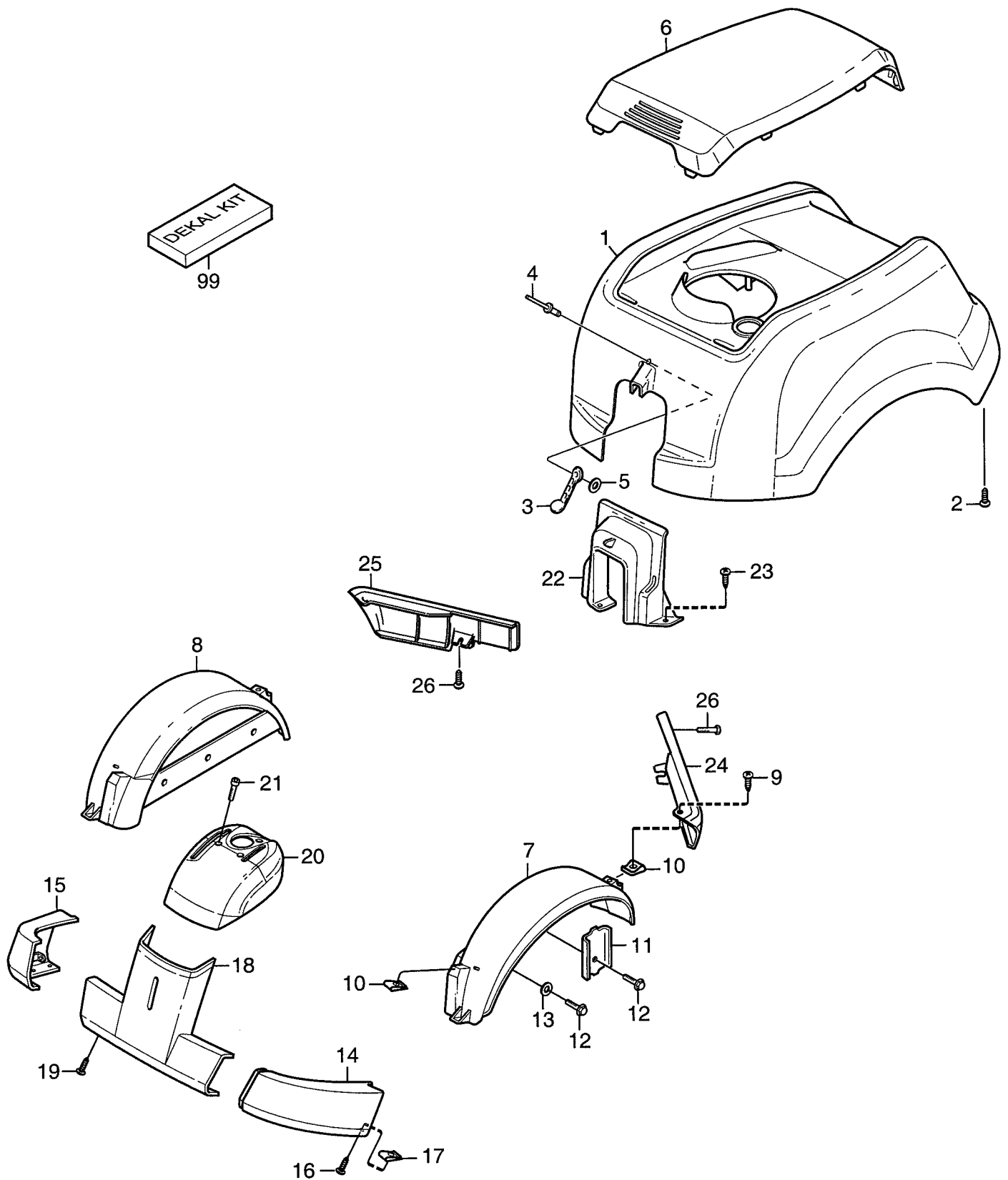


Genuine Spare Parts

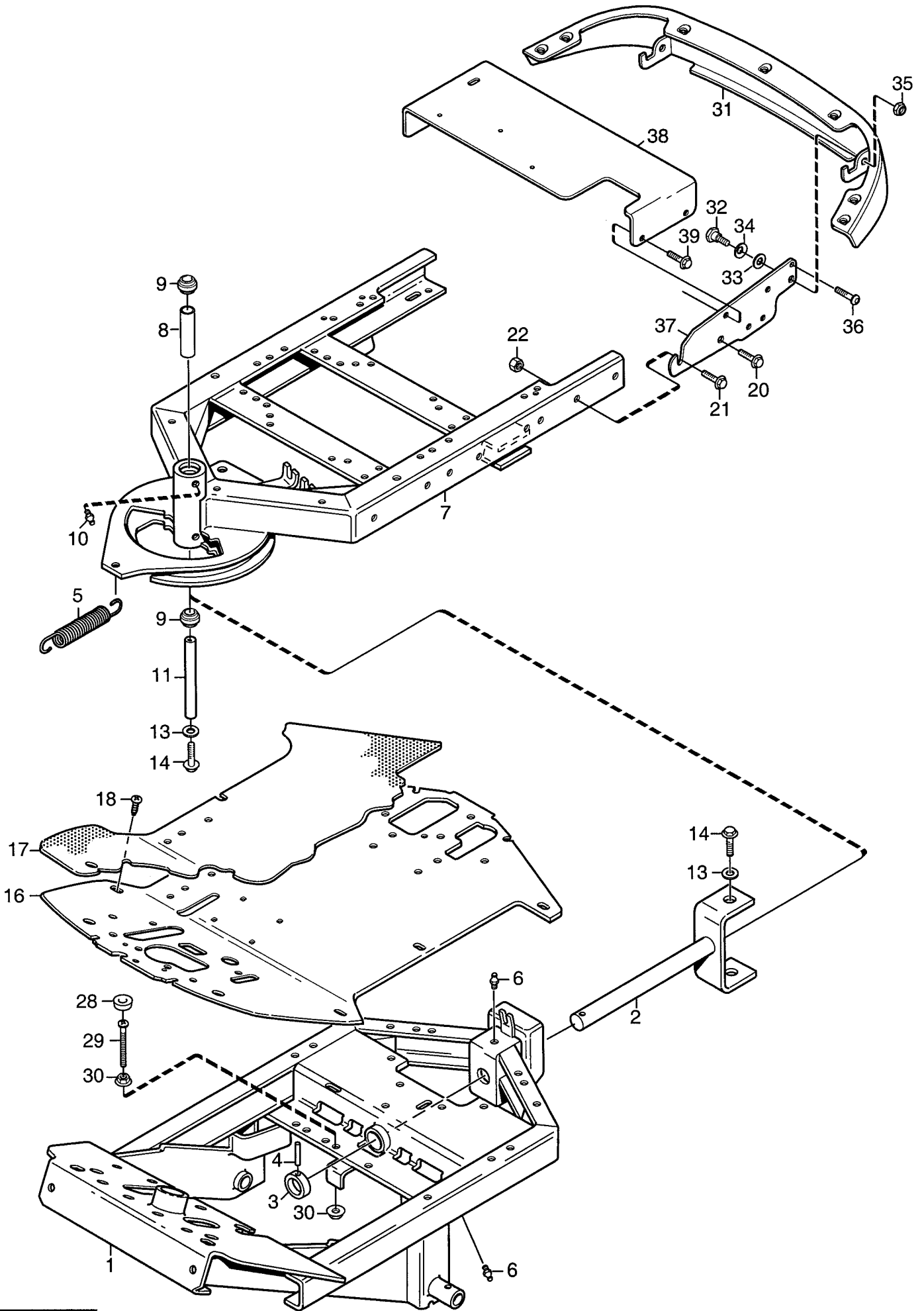




| Utgåva Issue | | Bildnr Picture No | | PARK COMPACT MONTERINGSDETALJER | | PARK COMPACT ASSEMBLY PARTS | | Sida Page | |
|-----------------|----------------|----------------------|------|------------------------------------|--|--------------------------------|-------------|------------------|---------------------|
| 2006-11 | | 1638B | | | | | | 2 | |
| Pos. Fig. | Antal/Quantity | | | | Art nr Part No | Benämning | Description | Sats Kit | Anmärkning Notes |
| | 6101 | 6102 6103 | 6104 | | | | | | |
| 0 | | 1 | 1 | | 1134-4249-05 Monteringsdetaljer..... | Assembly parts | | Inkl. pos 1 - 15 | |
| 0 | 1 | | | | 1134-4249-06 Monteringsdetaljer..... | Assembly parts | | Inkl. pos 1 - 17 | |
| 2 | 1 | 1 | 1 | | 1134-6113-01 • Batteriskruvar | • Battery screws | | | |
| 4 | 1 | 1 | 1 | | 9595-0262-00 • Spännstift | • Locating pin | | | |
| 5A | 1 | 1 | 1 | | 9699-0103-02 • Shims | • Flat washer | | 0.5 mm | |
| 5B | 1 | 1 | 1 | | 9699-0114-02 • Shims | • Flat washer | | 1.0 mm | |
| 6 | 2 | 2 | 2 | | 1134-4185-01 • Ansatsbricka | • Flange washer | | | |
| 7 | 2 | 2 | 2 | | 9959-0820-16 • Skruv | • Screw | | | |
| 8 | 2 | 2 | 2 | | 1134-4481-01 • Vingmutter..... | • Wing nut | | | |
| 9 | 4 | 4 | 4 | | 9699-0056-02 • Planbricka..... | • Flat washer | | | |
| 10 | 2 | 2 | 2 | | 1134-4734-01 • Tändningsnyckel..... | • Ignition key | | | |
| 11 | 2 | 2 | 2 | | 9598-0003-02 • Låsnål..... | • Spring pin | | | |
| 12 | 2 | 2 | 2 | | 9997-0820-16 • Skruv | • Screw | | | |
| 13 | 1 | 1 | 1 | | 1134-5512-01 • Dragplåt..... | • Towing plate | | | |
| 14 | 2 | 2 | 2 | | 9959-0820-16 • Skruv | • Screw | | | |
| 15 | 2 | 2 | 2 | | 9739-0831-22 • Mutter..... | • Nut | | | |
| 16 | 1 | | | | 1134-5482-01 • Växelspak | • Gear shift lever | | | |
| 17 | 1 | | | | 1134-2551-01 • Reglageknopp..... | • Knob | | | |
| X 30 | 1 | 1 | 1 | | 1134-3771-85 Mapp m. trycksaker..... | Folder w. manuals | | | |
| X 31 | 1 | 1 | 1 | | 8211-0209-13 • Säkerhetsföreskrifter | • Safety regulations | | | |
| X 31 | 1 | 1 | 1 | | 8211-0321-10 • Certifikat | • Certificate | | | |
| X 31 | 1 | 1 | 1 | | 8211-0544-02 • Servicebok..... | • Service book | | | |
| X 31 | 1 | 1 | 1 | | 8211-0553-01 • Bruksanvisning | • Owner's manual | | | |
| X 31 | 1 | 1 | 1 | | 8211-0554-01 • Bruksanvisning | • Owner's manual | | | |
| X 31 | 1 | 1 | 1 | | 8211-1024-04 • Monteringsanvisning | • Assy instruction | | | |
| X 31 | 1 | 1 | 1 | | 8211-2002-03 • Garantikort..... | • Warranty card | | | |

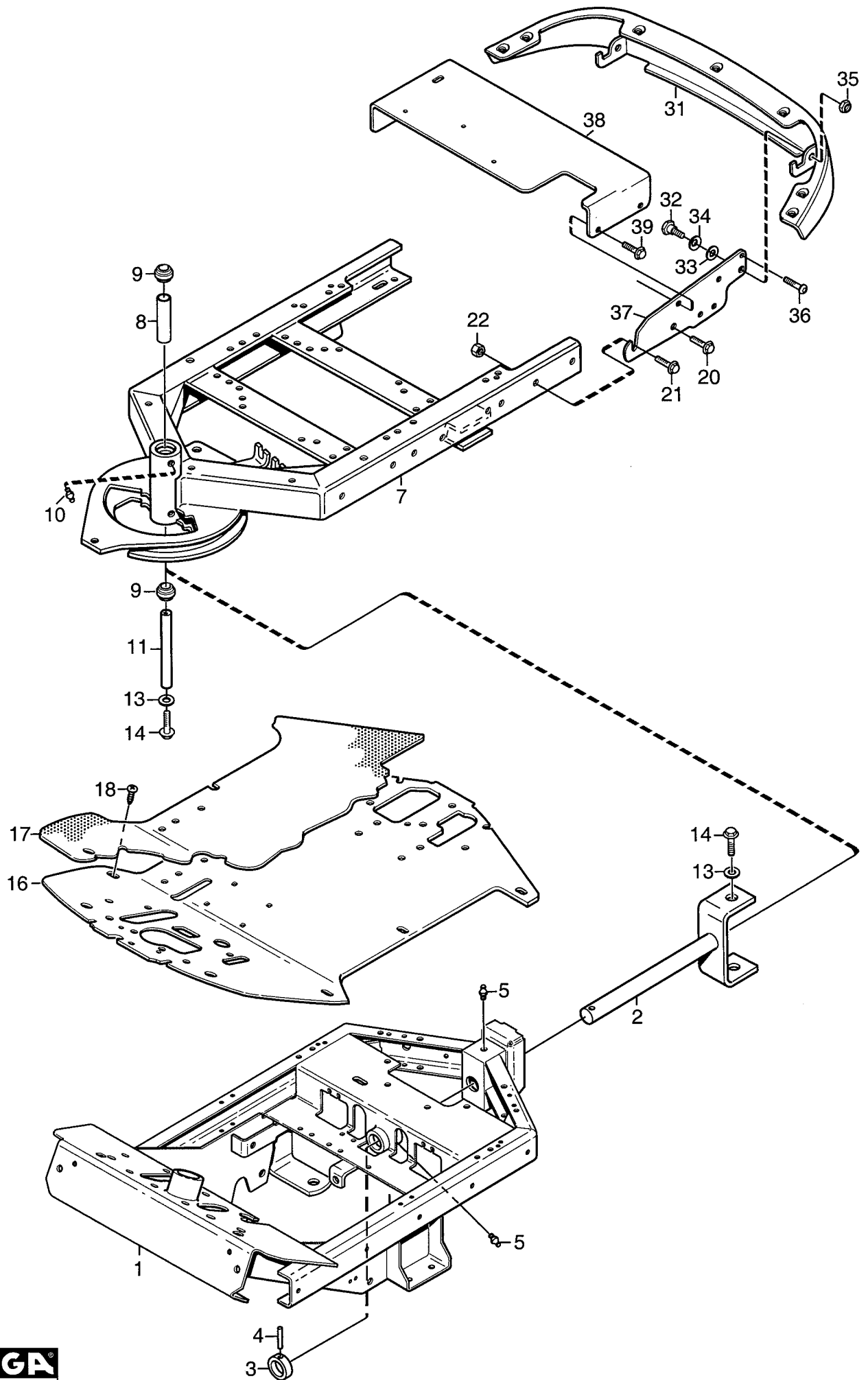


| Utgåva Issue | | Bildnr Picture No | | | PARK COMPACT KAROSS | PARK COMPACT BODY WORK | Sida Page | | |
|-----------------|----------------|----------------------|------|--|------------------------|-----------------------------|--------------------------|-------------|---------------------|
| 2006-11 | | 1658A | | | | | 4 | | |
| Pos. Fig. | Antal/Quantity | | | | Art nr Part No | Benämning | Description | Sats Kit | Anmärkning Notes |
| | 6101 | 6102 6103 | 6104 | | | | | | |
| 1 | 1 | 1 | 1 | | 1134-5263-02 | Motorhuv- gul..... | Engine hood- yellow..... | | Sats 3 st/kit of 3 |
| 2 | 7 | 7 | 7 | | 9838-9530-12 | Skruv..... | Screw..... | | |
| 3 | 1 | 1 | 1 | | 1134-9028-01 | Gummistropp- sats..... | Rubber strap kit..... | | |
| 4 | 1 | 1 | 1 | | 9632-0516-00 | Popnit..... | Pop rivet..... | | |
| 5 | 1 | 1 | 1 | | 9699-0120-02 | Bricka..... | Washer..... | | |
| 6 | 1 | 1 | 1 | | 1134-5264-01 | Motorlucka- grå..... | Engine cover- grey..... | | |
| 7 | 1 | 1 | 1 | | 1134-5308-01 | Stänkskärm vä- grå..... | Mud guard LH- grey..... | | |
| 8 | 1 | 1 | 1 | | 1134-5308-02 | Stänkskärm hö- grå..... | Mud guard RH- grey..... | | |
| 9 | 4 | 4 | 4 | | 9893-0616-16 | Skruv..... | Screw..... | | |
| 10 | 4 | 4 | 4 | | 1134-4176-01 | Clips..... | Clips..... | | |
| 11 | 2 | 2 | 2 | | 1134-0225-00 | Stödplåt..... | Support plate..... | | |
| 12 | 6 | 6 | 6 | | 9945-0816-16 | Skruv..... | Screw..... | | |
| 13 | 4 | 4 | 4 | | 9699-0056-02 | Planbricka..... | Flat washer..... | | |
| 14 | 1 | 1 | 1 | | 1134-5306-01 | Stötfångare, front- vä..... | Bumper, front- LH..... | | |
| 15 | 1 | 1 | 1 | | 1134-5306-02 | Stötfångare, front- hö..... | Bumper, front- RH..... | | |
| 16 | 4 | 4 | 4 | | 9893-0616-16 | Skruv..... | Screw..... | | |
| 17 | 2 | 2 | 2 | | 1134-4176-01 | Clips..... | Clips..... | | |
| 18 | 1 | 1 | 1 | | 1134-5305-01 | Front- nedre..... | Front plate- lower..... | | |
| 19 | 2 | 2 | 2 | | 9893-0616-16 | Skruv..... | Screw..... | | |
| 20 | 1 | | | | 1134-5320-01 | Front- övre..... | Front- upper..... | | |
| 20 | | 1 | 1 | | 1134-5320-02 | Front- övre..... | Front- upper..... | | |
| 21 | 2 | 2 | 2 | | 9946-0525-16 | Skruv..... | Screw..... | | |
| X 22 | 1 | 1 | | | 1134-5265-02 | Huvstöd..... | Hood support..... | | |
| X 22 | | | 1 | | 1134-6241-01 | Huvstöd..... | Hood support..... | | |
| 23 | 3 | 3 | 3 | | 9893-0616-16 | Skruv..... | Screw..... | | |
| 24 | 1 | 1 | 1 | | 1134-3970-05 | Kantlist- vä, grå..... | Moulding- LH, grey..... | | |
| 25 | 1 | 1 | 1 | | 1134-3970-02 | Kantlist- hö, grå..... | Moulding- RH, grey..... | | |
| 26 | 2 | 2 | 2 | | 9893-0616-16 | Skruv..... | Screw..... | | |
| 99 | 1 | | | | 1134-5592-01 | Dekalsats..... | Label kit..... | | |
| 99 | | 1 | | | 1134-5592-02 | Dekalsats..... | Label kit..... | | |
| X 99 | | | 1 | | 1134-5592-03 | Dekalsats..... | Label kit..... | | |



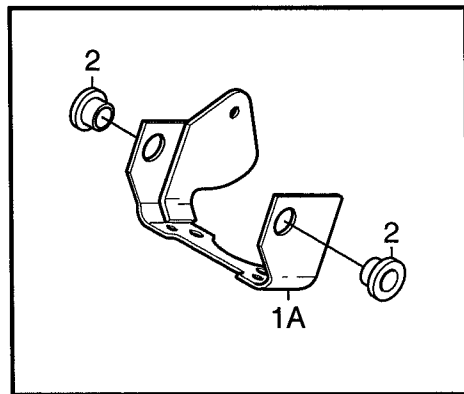
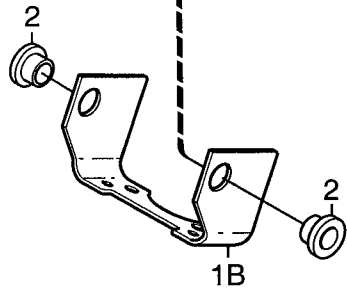
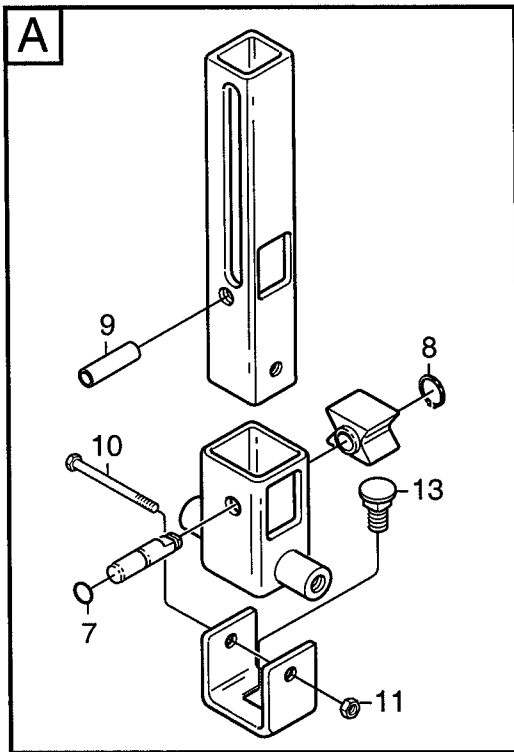
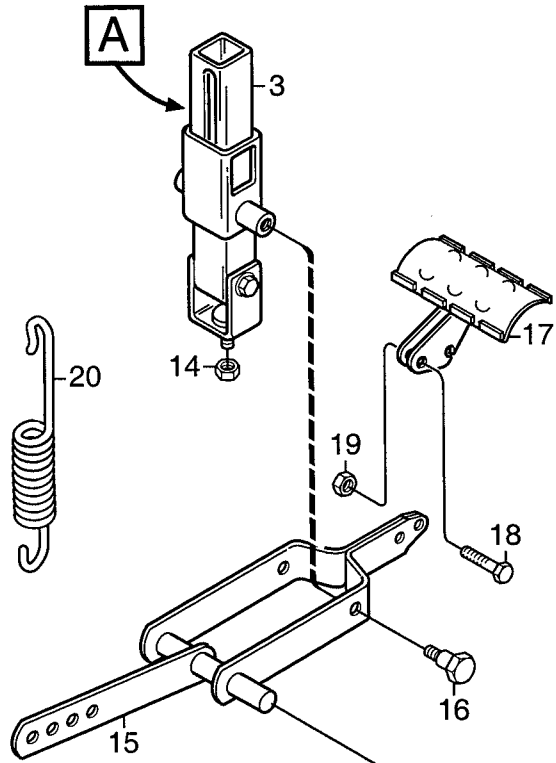
| Utgåva Issue | | Bildnr Picture No | | PARK COMPACT 2WD RAM | | PARK COMPACT 2WD FRAME | | Sida Page | |
|-----------------|----------------|----------------------|--|-------------------------|------------------------|---------------------------|-------------|---------------------|--|
| 2006-11 | | 1669B | | | | | | 6 | |
| Pos. Fig. | Antal/Quantity | | | Art nr Part No | Benämning | Description | Sats Kit | Anmärkning Notes | |
| | 6101 | 6102 6103 | | | | | | | |
| 1 | 1 | 1 | | 1134-5315-02 | Ram- främre | Frame- front | | | |
| 2 | 1 | 1 | | 1134-3963-02 | • Midjegaffel | • Clevis | | | |
| 3 | 1 | 1 | | 1134-0031-00 | • Ledaxelstopp | • Pivot shaft stop | | | |
| 4 | 1 | 1 | | 9595-0262-00 | • Spännstift | • Locating pin | | | |
| 5 | 1 | 1 | | 1134-2171-01 | Fjäder | Spring | | | |
| 6 | 2 | 2 | | 9501-0500-00 | Smörjnippel | Grease joint | | | |
| 7 | 1 | 1 | | 1134-6081-01 | Ram- bakre | Frame- rear | | | |
| 8 | 1 | 1 | | 1134-5705-01 | • Distans | • Spacer | | | |
| 9 | 2 | 2 | | 9547-0001-00 | • Ledlager | • Bearing | | | |
| 10 | 2 | 2 | | 9501-0500-00 | • Smörjnippel | • Grease joint | | | |
| 11 | 1 | 1 | | 1134-5988-01 | Centrumaxel | Centre shaft | | | |
| 13 | 2 | 2 | | 9699-0035-02 | Planbricka | Flat washer | | | |
| 14 | 2 | 2 | | 9959-1025-16 | Skruv | Screw | | | |
| 16 | 1 | 1 | | 1134-5294-01 | Durk | Floor plate | | | |
| 17 | 1 | | | 1134-5513-01 | Durkmatta | Floor mat | | | |
| 17 | | 1 | | 1134-5514-03 | Durkmatta | Floor mat | | | |
| 18 | 2 | 2 | | 9893-0616-16 | Skruv | Screw | | | |
| 20 | 2 | 2 | | 9945-0816-16 | Skruv | Screw | | | |
| 21 | 2 | 2 | | 9959-0820-16 | Skruv | Screw | | | |
| 22 | 2 | 2 | | 9739-0831-22 | Mutter | Nut | | | |
| 28 | 1 | 1 | | 1134-4975-01 | Gummibuffert | Rubber block | | | |
| 29 | 1 | 1 | | 9950-0570-12 | Skruv | Screw | | | |
| 30 | 2 | 2 | | 9739-0531-22 | Mutter | Nut | | | |
| 31 | 1 | 1 | | 1134-5337-01 | Stötfångare- bak | Bumper- rear | | | |
| 32 | 2 | 2 | | 1134-0240-00 | Ansattsskruv | Shoulder screw | | | |
| 33 | 2 | 2 | | 1134-4242-01 | Distansbricka | Spacer washer | | | |
| 34 | 2 | 2 | | 9665-0002-00 | Brickfjäder | Bowed washer | | | |
| 35 | 2 | 2 | | 9747-0831-02 | Mutter | Lock nut | | | |
| 36 | 2 | 2 | | 9943-0516-16 | Skruv | Screw | | | |
| 37 | 2 | 2 | | 1134-5345-01 | Stag | Attachment | | | |
| 38 | 1 | 1 | | 1134-5344-01 | Batterihylla | Battery shelf | | | |
| 39 | 4 | 4 | | 9945-0816-16 | Skruv | Screw | | | |

X

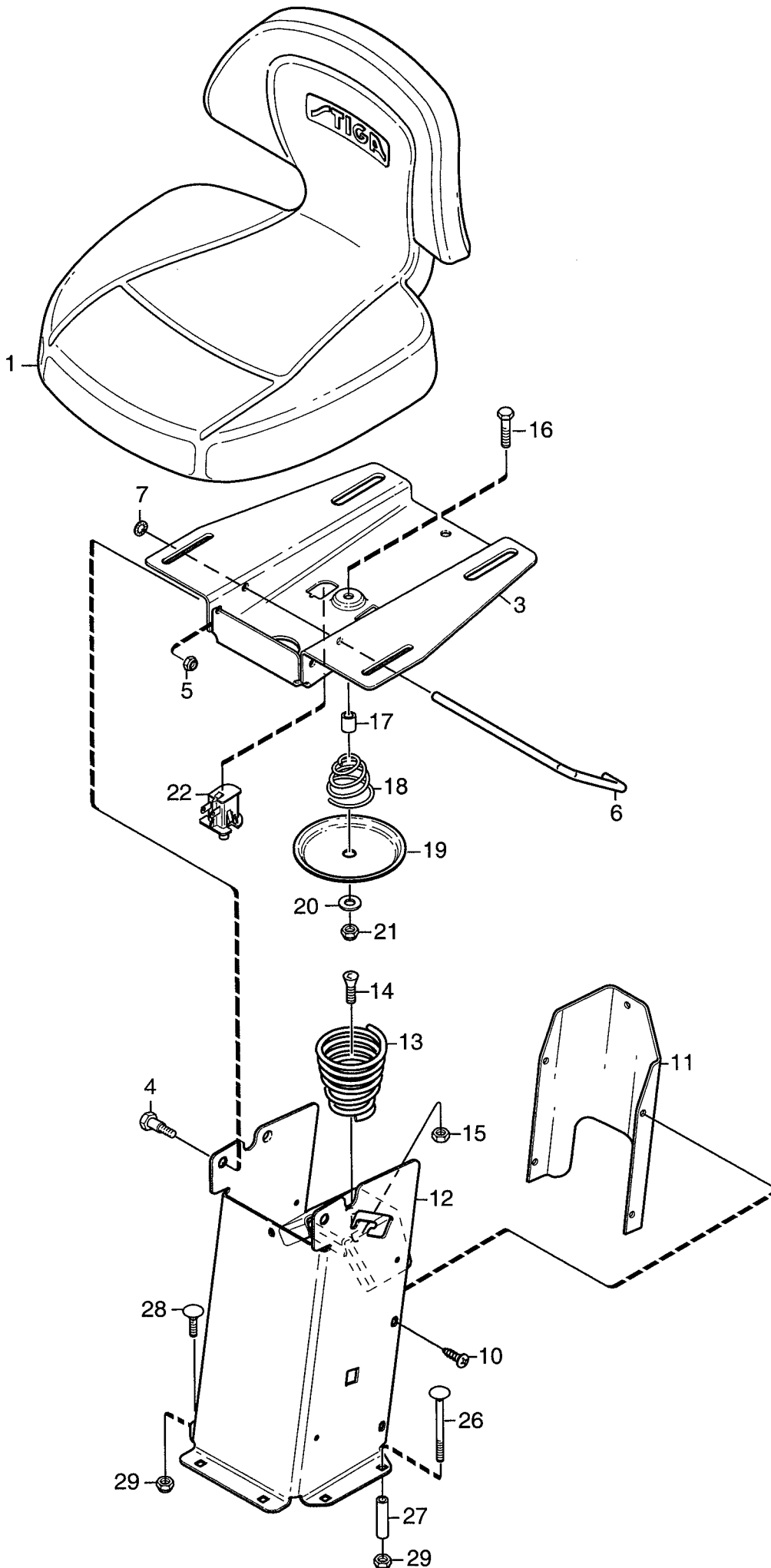


| Utgåva Issue | | Bildnr Picture No | | PARK COMPACT 4WD RAM | | PARK COMPACT 4WD FRAME | | Sida Page | |
|-----------------|----------------|----------------------|--|-------------------------|------------------------|---------------------------|-------------|---------------------|--|
| 2006-11 | | 2024 | | | | | | 8 | |
| Pos. Fig. | Antal/Quantity | | | Art nr Part No | Benämning | Description | Sats Kit | Anmärkning Notes | |
| | 6104 | | | | | | | | |
| 1 | 1 | | | 1134-5656-01 | Ram-främre | Frame-front | | | |
| 2 | 1 | | | 1134-3963-02 | • Midjegaffel | • Clevis | | | |
| 3 | 1 | | | 1134-0031-00 | • Ledaxelstopp | • Pivot shaft stop | | | |
| 4 | 1 | | | 9595-0262-00 | • Spännstift | • Locating pin | | | |
| 5 | 2 | | | 9501-0500-00 | • Smörjnippel | • Grease joint | | | |
| 7 | 1 | | | 1134-6081-01 | Ram-bakre | Frame-rear | | | |
| 8 | 1 | | | 1134-5705-01 | • Distans | • Spacer | | | |
| 9 | 2 | | | 9547-0001-00 | • Ledlager | • Bearing | | | |
| 10 | 2 | | | 9501-0500-00 | • Smörjnippel | • Grease joint | | | |
| 11 | 1 | | | 1134-5988-01 | Centrumaxel | Centre shaft | | | |
| 13 | 2 | | | 9699-0035-02 | Planbricka | Flat washer | | | |
| 14 | 2 | | | 9959-1025-16 | Skruv | Screw | | | |
| 16 | 1 | | | 1134-5294-01 | Durk | Floor plate | | | |
| 17 | 1 | | | 1134-5514-03 | Durkmatta | Floor mat | | | |
| 18 | 2 | | | 9893-0616-16 | Skruv | Screw | | | |
| 20 | 2 | | | 9945-0816-16 | Skruv | Screw | | | |
| 21 | 2 | | | 9959-0820-16 | Skruv | Screw | | | |
| 22 | 2 | | | 9739-0831-22 | Mutter | Nut | | | |
| 31 | 1 | | | 1134-5337-01 | Stötfångare- bak | Bumper-rear | | | |
| 32 | 2 | | | 1134-0240-00 | Ansattsskruv | Shoulder screw | | | |
| 33 | 2 | | | 1134-4242-01 | Distansbricka | Spacer washer | | | |
| 34 | 2 | | | 9665-0002-00 | Brickfjäder | Bowed washer | | | |
| 35 | 2 | | | 9747-0831-02 | Mutter | Lock nut | | | |
| 36 | 2 | | | 9943-0516-16 | Skruv | Screw | | | |
| 37 | 2 | | | 1134-5345-01 | Stag | Attachment | | | |
| 38 | 1 | | | 1134-5344-01 | Batterihylla | Battery shelf | | | |
| 39 | 4 | | | 9945-0816-16 | Skruv | Screw | | | |

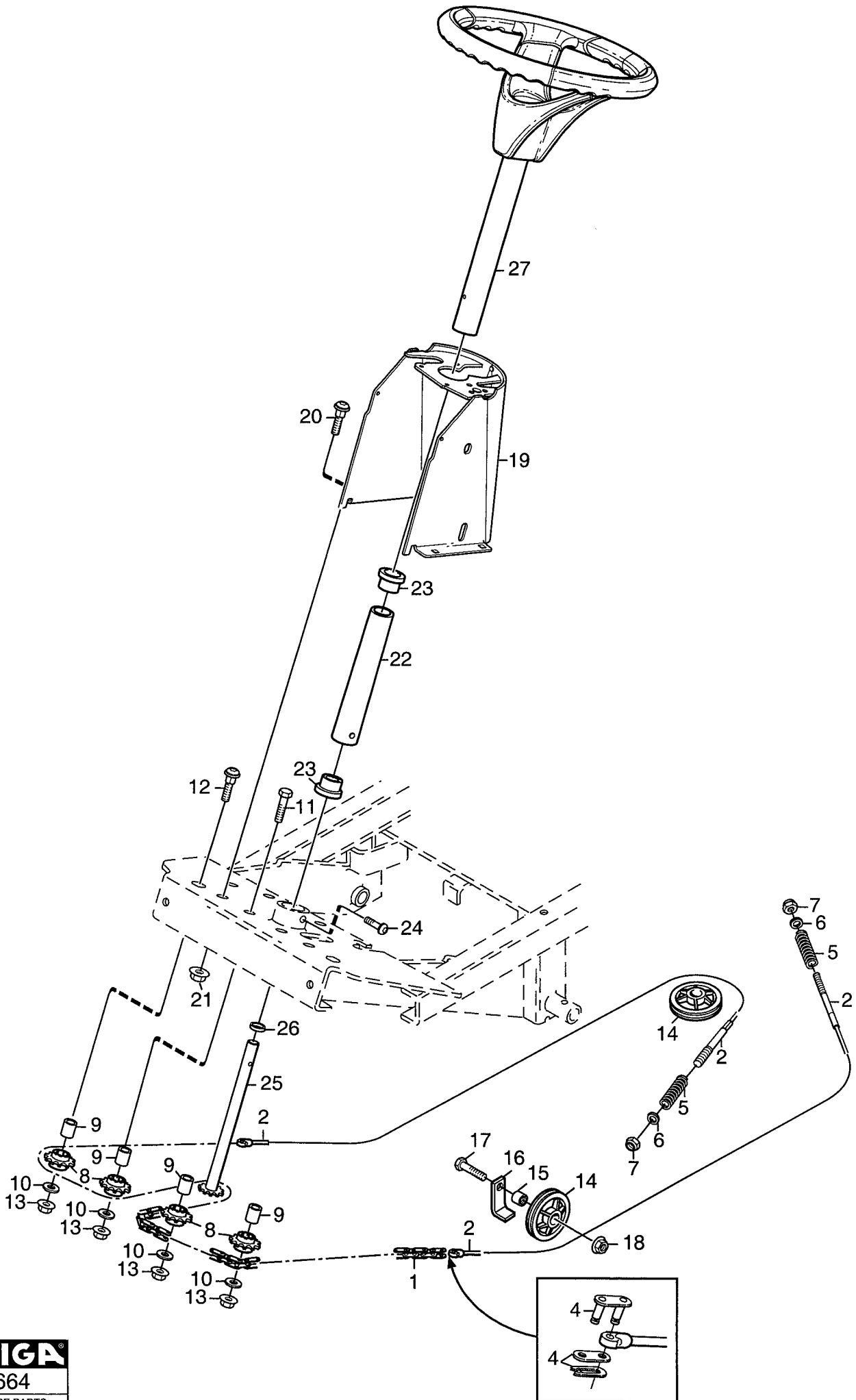
X

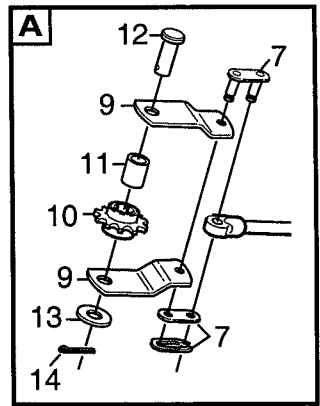
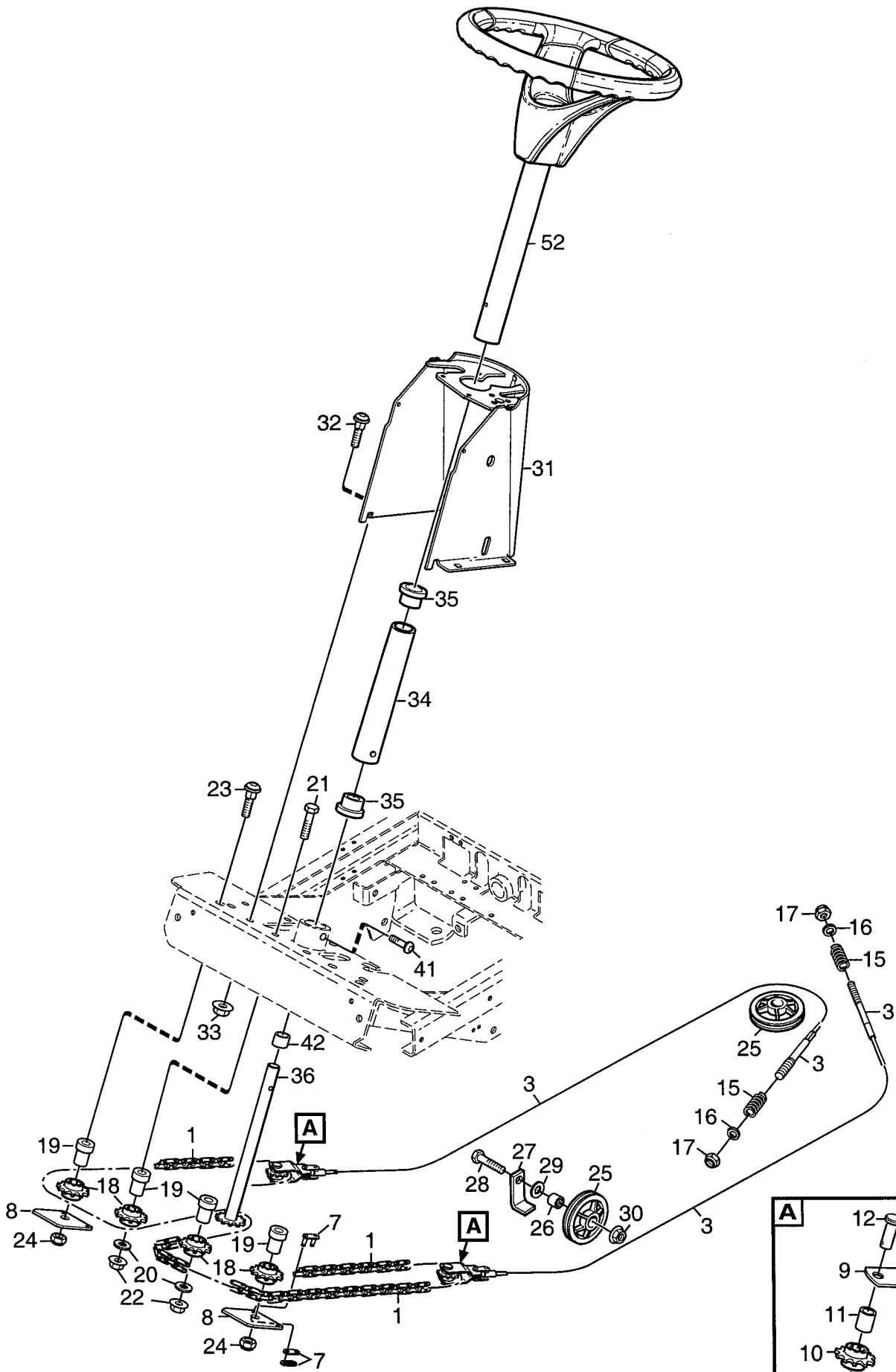


| Utgåva Issue | | Bildnr Picture No | | PARK COMPACT PEDALLYFT | | PARK COMPACT PEDAL LIFT | | Sida Page | |
|-----------------|----------------|----------------------|--|---------------------------|-----------------------|----------------------------|-------------|---------------------|--|
| 2006-11 | | 1656A | | | | | | 10 | |
| Pos. Fig. | Antal/Quantity | | | Art nr Part No | Benämning | Description | Sats Kit | Anmärkning Notes | |
| | 6101 | 6102 6103 6104 | | | | | | | |
| 1A | 1 | | | 1134-5462-01 | Fäste | Bracket | | | |
| 1B | | 1 | | 1134-4117-01 | Fäste | Bracket | | | |
| 2 | 2 | 2 | | 1134-2684-01 | Lager | Bearing | | | |
| 3 | 1 | 1 | | 1134-4945-01 | Lyftspärr kpl | Lift catch assy | | | |
| 7 | 1 | 1 | | 9404-0027-01 | • O-ring | • O-ring | | | |
| 8 | 1 | 1 | | 9650-0039-04 | • Seegersäkring | • Lock ring | | | |
| 9 | 1 | 1 | | 9595-0276-01 | • Spännstift | • Locating pin | | | |
| 10 | 1 | 1 | | 9997-0640-12 | • Skruv | • Screw | | | |
| 11 | 1 | 1 | | 9747-0631-02 | • Låsmutter | • Lock nut | | | |
| 13 | 1 | 1 | | 9897-0820-16 | • Skruv | • Screw | | | |
| 14 | 1 | 1 | | 9747-0831-02 | Mutter | Lock nut | | | |
| 15 | 1 | 1 | | 1134-4860-01 | Lyftgaffel | Lift fork | | | |
| 16 | 2 | 2 | | 1134-0240-00 | Ansatssskruv | Shoulder screw | | | |
| 17 | 1 | 1 | | 1134-4938-01 | Lyftpedal | Lift pedal | | | |
| 18 | 2 | 2 | | 9997-0625-16 | Skruv | Screw | | | |
| 19 | 2 | 2 | | 9739-0631-22 | Mutter | Nut | | | |
| 20 | 1 | 1 | | 4231-0013-00 | Fjäder | Spring | | | |

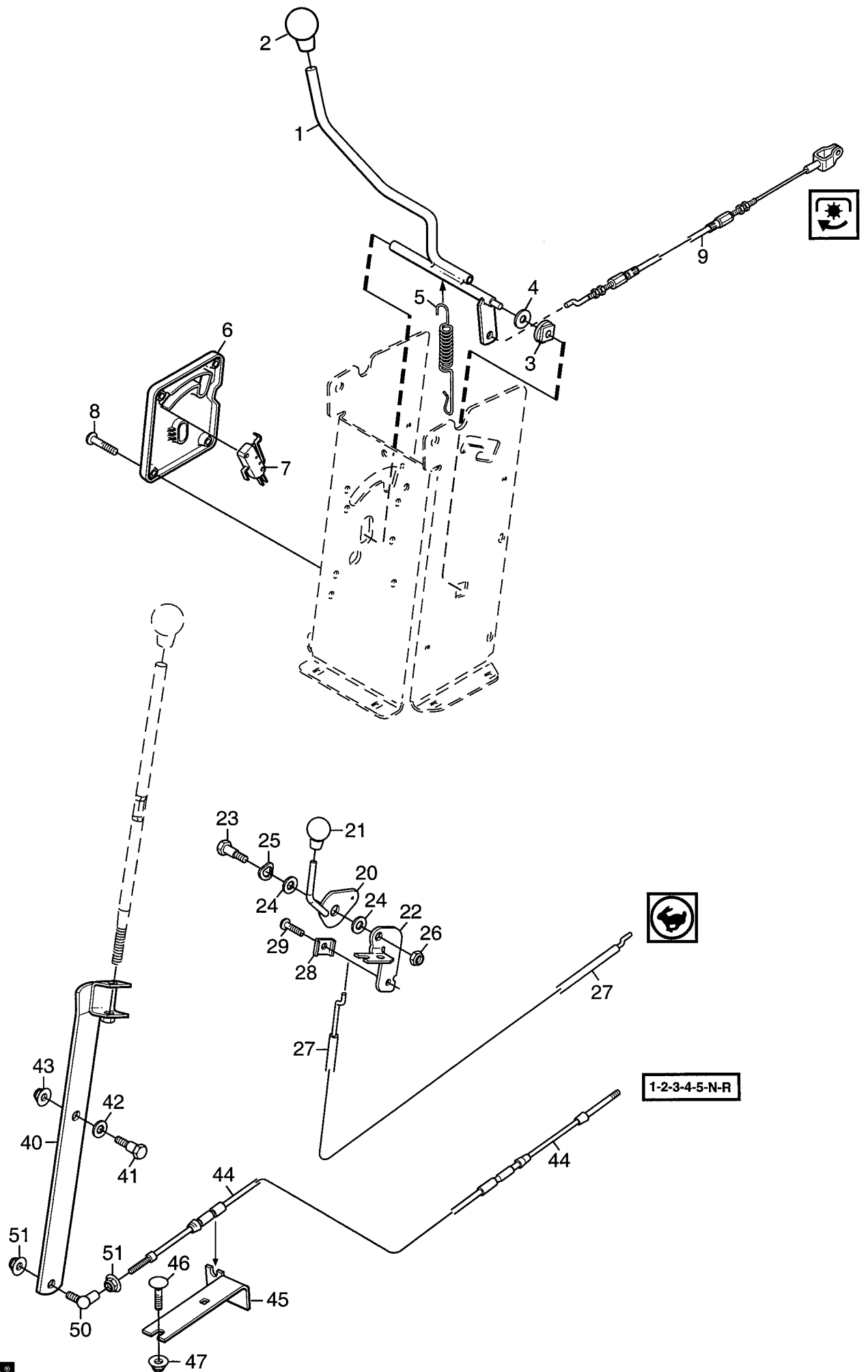


| Utgåva Issue | | Bildnr Picture No | | PARK COMPACT SITS | | PARK COMPACT SEAT | | Sida Page | |
|-----------------|----------------|----------------------|------|----------------------|-----------------------|----------------------------|-------------|---------------------|------|
| 2006-11 | | 1657 | | | | | | 12 | |
| Pos. Fig. | Antal/Quantity | | | Art nr Part No | Benämning | Description | Sats Kit | Anmärkning Notes | |
| | 6101 | 6102 | 6103 | | | | | | 6104 |
| 1 | 1 | | | 1134-5506-01 | Sits | Seat | | | |
| 3 | 1 | | | 1134-5301-01 | Sitsplatta | Seat plate | | | |
| 4 | 2 | | | 1134-0240-00 | Ansattsskruv | Shoulder screw | | | |
| 5 | 2 | | | 9747-0831-02 | Mutter | Lock nut | | | |
| 6 | 1 | | | 1134-5454-01 | Spärr | Catch | | | |
| 7 | 1 | | | 9675-0012-02 | Starlock | Locking washer | | | |
| 10 | 4 | | | 9893-0616-16 | Skruv | Screw | | | |
| 11 | 1 | | | 1134-5300-01 | Bakstycke | Rear plate | | | |
| 12 | 1 | | | 1134-5296-04 | Sitskonsol- gul | Seat bracket- yellow | | | |
| 13 | 1 | | | 1134-4256-01 | Sitsfjäder | Seat spring | | | |
| 14 | 1 | | | 9924-1230-19 | Skruv | Screw | | | |
| 15 | 1 | | | 9747-1231-02 | Låsmutter | Lock nut | | | |
| 16 | 1 | | | 9997-0840-16 | Skruv | Screw | | | |
| 17 | 1 | | | 1134-1565-06 | Distans | Spacer | | | |
| 18 | 1 | | | 1134-5302-01 | Fjäder | Spring | | | |
| 19 | 1 | | | 1134-5299-01 | Tryckplatta | Push plate | | | |
| 20 | 1 | | | 9699-0090-02 | Planbricka | Flat washer | | | |
| 21 | 1 | | | 9747-0831-02 | Mutter | Lock nut | | | |
| 22 | 1 | | | 1134-3156-02 | Brytare (grå) | Switch (grey) | | | |
| 26 | 2 | | | 9897-0880-12 | Skruv | Screw | | L = 80 mm | |
| 27 | 2 | | | 1134-1565-08 | Distans | Spacer | | | |
| 28 | 4 | | | 9897-0820-16 | Skruv | Screw | | L = 20 mm | |
| 29 | 6 | | | 9747-0831-02 | Mutter | Lock nut | | | |

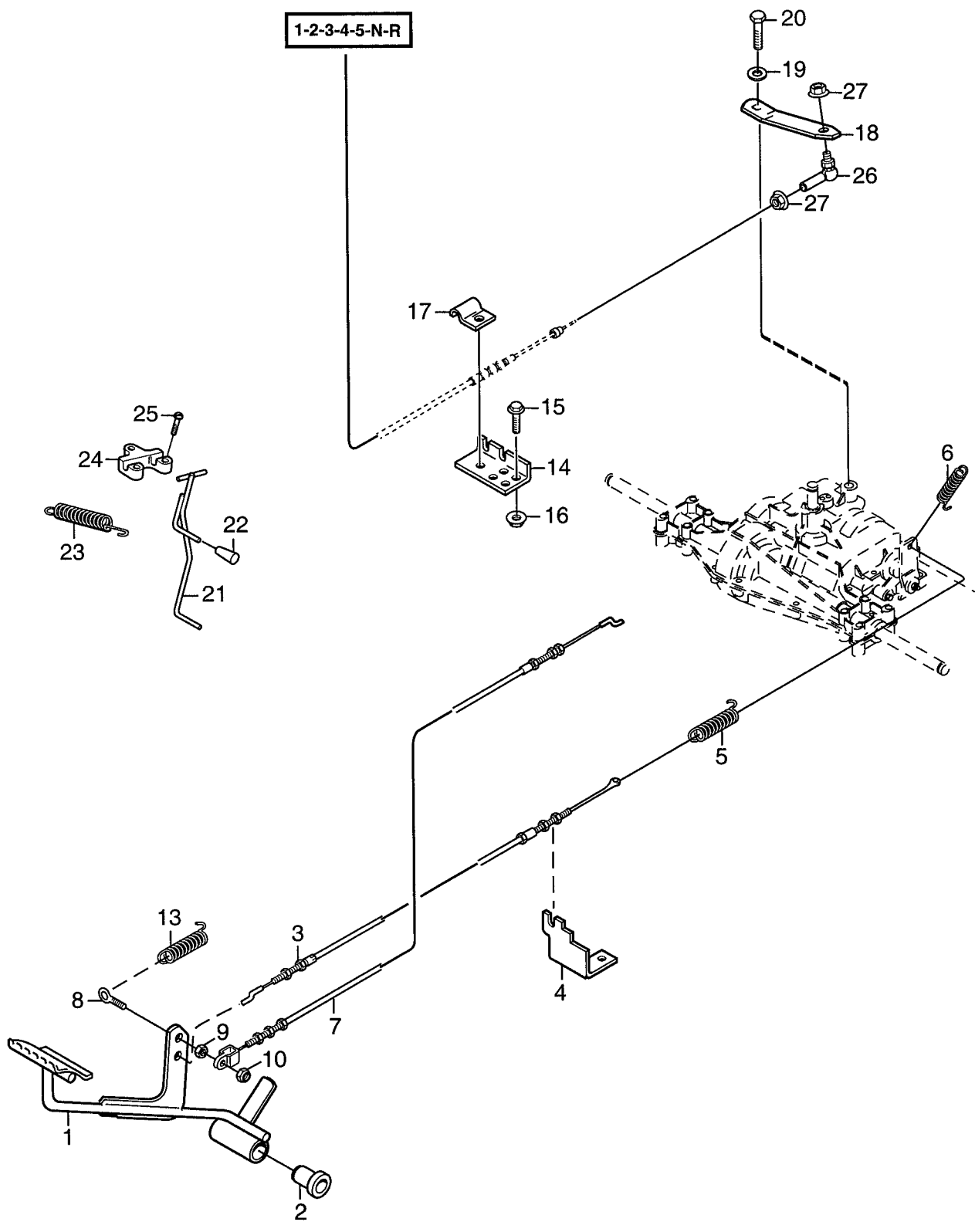




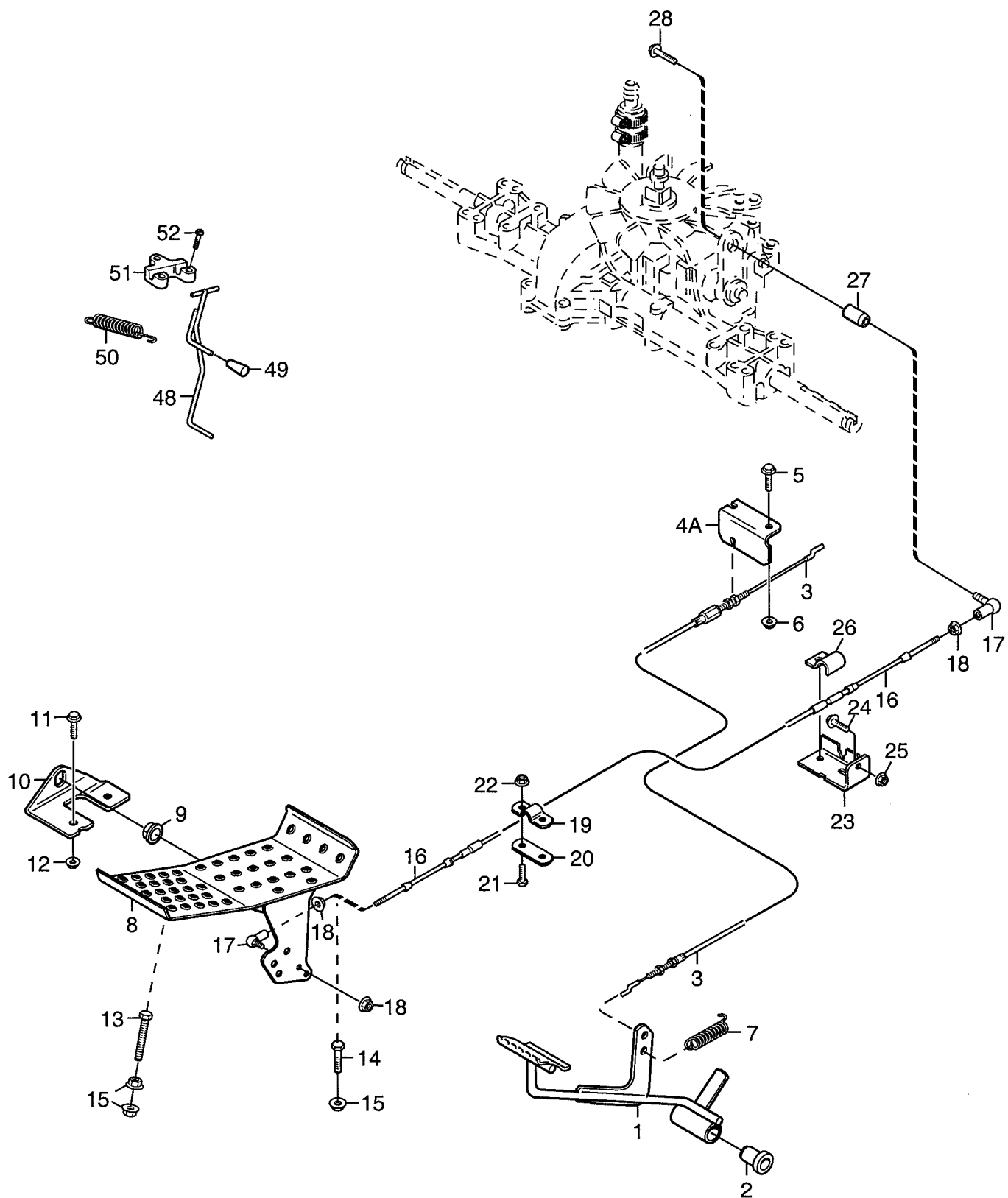
| Utgåva Issue | | Bildnr Picture No | | PARK COMPACT 4WD STYRNING | | PARK COMPACT 4WD STEERING | | Sida Page | |
|-----------------|----------------|----------------------|--|------------------------------|----------------------------|------------------------------|--------------------|--------------------------------|--|
| 2006-11 | | 2025 | | | | | | 16 | |
| Pos. Fig. | Antal/Quantity | | | Art nr Part No | Benämning | Description | Sats Kit | Anmärkning Notes | |
| | 6104 | | | | | | | | |
| 1 | 1 | | | 1134-2820-10 | Kedja | Chain | | 129 länk Sats vä+hö/kit L+R | |
| 3 | 1 | | | 1134-9099-01 | Styrwire kpl (vä+hö) | Steering cable assy | | | |
| 7 | 4 | | | 1134-2824-01 | Kedjelås | Chain lock | | | |
| 8 | 2 | | | 1134-5652-01 | Fäste | Attachment | | | |
| 9 | 4 | | | 1134-5651-01 | Bygel | Bracket | | | |
| 10 | 2 | | | 1134-2816-01 | Kedjehjul | Sprocket | | | |
| 11 | 2 | | | 1134-0041-02 | Linhjulshylsa | Idler wheel bush | | | |
| 12 | 2 | | | 1134-4817-01 | Kolvstängssprint | Pin | | | |
| 13 | 2 | | | 9699-0035-02 | Planbricka | Flat washer | | | |
| 14 | 2 | | | 9599-0054-02 | Saxpinne | Cotter pin | | | |
| 15 | 2 | | | 1134-3817-01 | Tryckfjäder | Compression spring | | | |
| 16 | 2 | | | 9699-0090-02 | Planbricka | Flat washer | | | |
| 17 | 2 | | | 9747-0831-02 | Mutter | Lock nut | | | |
| 18 | 4 | | | 1134-2816-01 | Kedjehjul | Sprocket | | | |
| 19 | 4 | | | 1134-5653-01 | Distans | Spacer | | | |
| 20 | 2 | | | 9699-0035-02 | Planbricka | Flat washer | | | |
| 21 | 2 | | | 9997-1060-12 | Skruv | Screw | | | |
| 22 | 2 | | | 9739-1031-22 | Mutter | Nut | | | |
| 23 | 2 | | | 9897-1060-12 | Skruv | Screw | | | |
| 24 | 2 | | | 9747-1031-02 | Låsmutter | Lock nut | | | |
| 25 | 2 | | | 1134-9025-01 | Linhjul-sats | Steering pulley-kit | Sats 2 st/kit of 2 | | |
| 26 | 2 | | | 1134-0041-01 | Linhjulshylsa | Bushing | | | |
| 27 | 2 | | | 1134-3022-01 | Linhållare | Cable holder | | | |
| 28 | 2 | | | 9997-1040-16 | Skruv | Screw | | | |
| 29 | 2 | | | 9699-0035-02 | Planbricka | Flat washer | | | |
| 30 | 2 | | | 9739-1031-22 | Mutter | Nut | | | |
| 31 | 1 | | | 1134-5349-01 | Styrkonsol- gul | Steering console- yel | | | |
| 32 | 4 | | | 9897-0820-16 | Skruv | Screw | | | |
| 33 | 4 | | | 9739-0831-22 | Mutter | Nut | | | |
| 34 | 1 | | | 1134-1305-05 | Rattör- nedre | Steering column- lower | | | |
| 35 | 2 | | | 1134-1901-01 | Lager | Bearing | | | |
| X 36 | 1 | | | 1134-2821-05 | Rattstång | Steering rod | | | |
| 41 | 2 | | | 9893-0616-16 | Skruv | Screw | | | |
| 42 | 1 | | | 1134-2837-03 | Distans | Spacer | | | |
| 52 | 1 | | | 1134-5496-01 | Ratt | Steering wheel | | | |



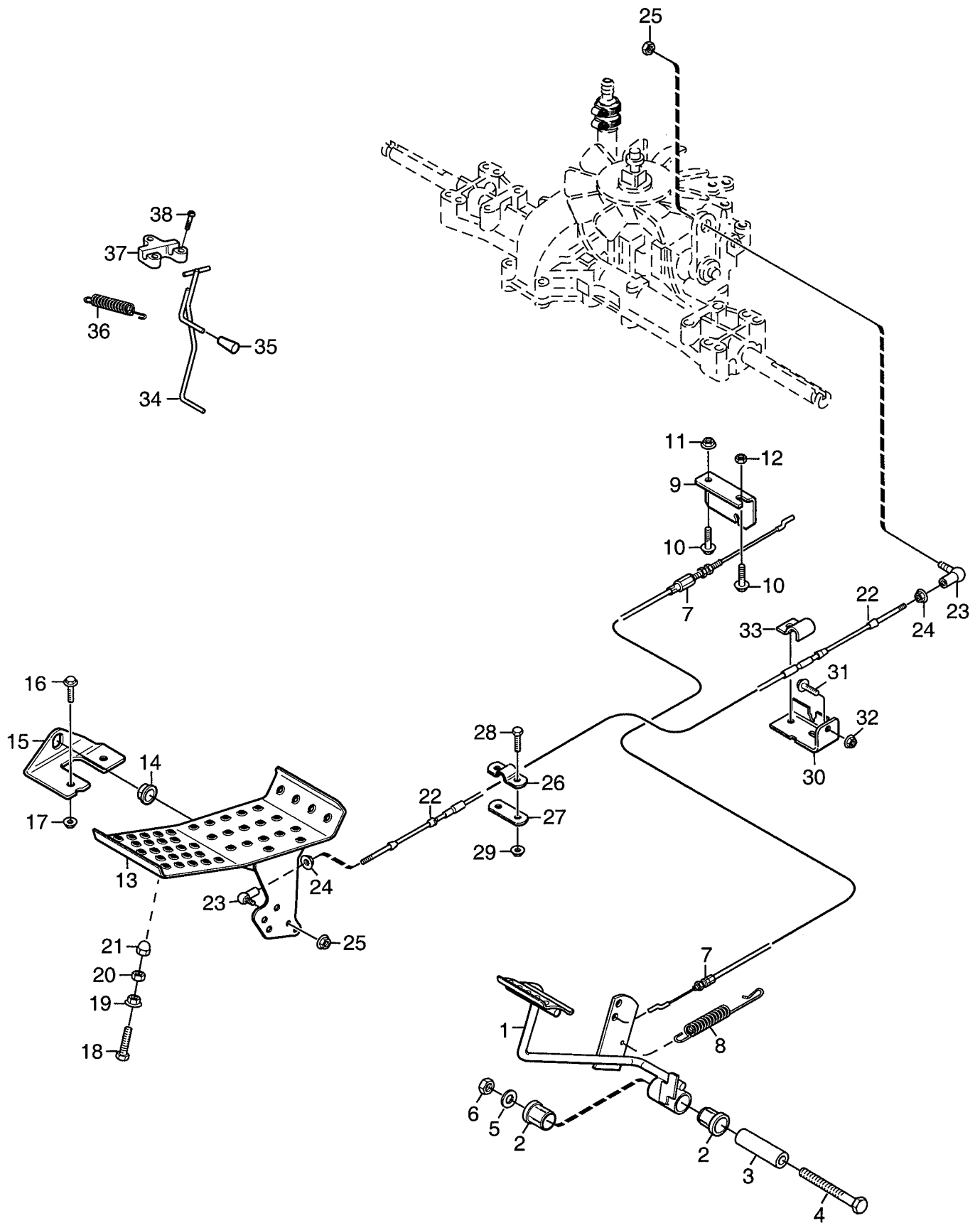
| Utgåva Issue | | Bildnr Picture No | | PARK COMPACT HANDREGLAGE | | PARK COMPACT HAND CONTROLS | | Sida Page | |
|-----------------|----------------|----------------------|--|-----------------------------|--------------------|-------------------------------|-------------|---------------------|--|
| 2006-11 | | 1670 | | | | | | 18 | |
| Pos. Fig. | Antal/Quantity | | | Art nr Part No | Benämning | Description | Sats Kit | Anmärkning Notes | |
| | 6101 | 6102 6103 6104 | | | | | | | |
| 1 | 1 | 1 | | 1134-5363-01 | Aggregatspak..... | Control lever | | | |
| 2 | 1 | 1 | | 1134-2551-01 | Reglageknopp..... | Knob | | | |
| 3 | 1 | 1 | | 1134-3790-02 | Lager | Bearing..... | | | |
| 4 | 1 | 1 | | 9699-0090-02 | Planbricka..... | Flat washer..... | | | |
| 5 | 1 | 1 | | 4231-0013-00 | Fjäder..... | Spring | | | |
| 6 | 1 | 1 | | 1134-5368-01 | Panel | Dashboard | | | |
| 7 | 1 | 1 | | 9400-0312-01 | Mikrobrytare..... | Micro switch | | | |
| 8 | 4 | 4 | | 9946-0525-16 | Skruv | Screw..... | | | |
| 9 | 1 | 1 | | 1134-3573-05 | Reglagewire..... | Control cable..... | | | |
| 20 | 1 | 1 | | 1134-5465-01 | Gasreglage..... | Throttle lever..... | | | |
| 21 | 1 | 1 | | 1134-4078-01 | Knopp..... | Knob | | | |
| 22 | 1 | 1 | | 1134-5464-01 | Fäste..... | Bracket | | | |
| 23 | 1 | 1 | | 1134-0240-00 | Ansatsskruv..... | Shoulder screw..... | | | |
| 24 | 2 | 2 | | 1134-4242-01 | Distansbricka..... | Spacer washer | | | |
| 25 | 1 | 1 | | 9694-0001-00 | Fjäderbricka | Washer..... | | | |
| 26 | 1 | 1 | | 9747-0831-02 | Mutter..... | Lock nut | | | |
| 27 | 1 | 1 | | 1134-4197-02 | Gaswire | Throttle cable | | | |
| 28 | 1 | 1 | | 9500-9991-00 | Wireklämma | Cable clamp | | | |
| 29 | 1 | 1 | | 9943-0516-16 | Skruv | Screw..... | | | |
| 40 | 1 | | | 1134-5459-01 | Växelarm | Gear shift arm | | | |
| 41 | 1 | | | 1134-0240-00 | Ansatsskruv..... | Shoulder screw..... | | | |
| 42 | 1 | | | 9696-0013-01 | Kupad bricka..... | Bowed washer..... | | | |
| 43 | 1 | | | 9739-0831-22 | Mutter..... | Nut | | | |
| 44 | 1 | | | 1134-2766-07 | Reglagewire..... | Control cable..... | | | |
| 45 | 1 | | | 1134-5518-01 | Vinkelarm | Angle bracket | | | |
| 46 | 2 | | | 9897-0616-16 | Vagnsbult | Carriage bolt | | | |
| 47 | 2 | | | 9739-0631-22 | Mutter..... | Nut | | | |
| 50 | 1 | | | 9570-0001-00 | Vinkellänk | Elbow link | | | |
| 51 | 2 | | | 9739-0531-22 | Mutter..... | Nut..... | | | |



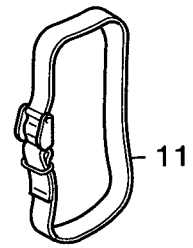
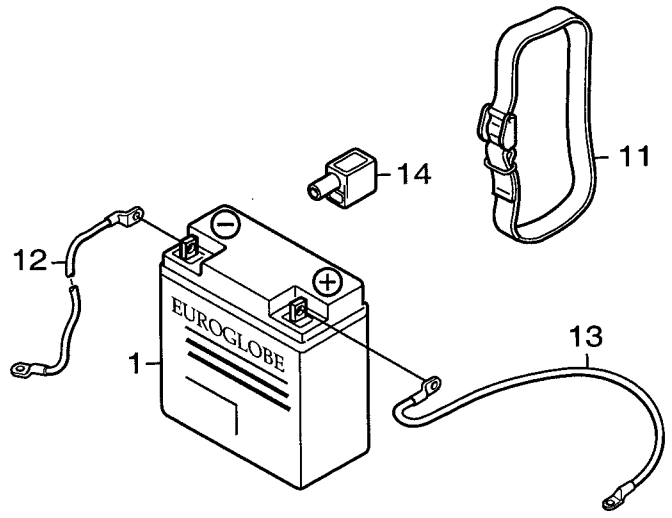
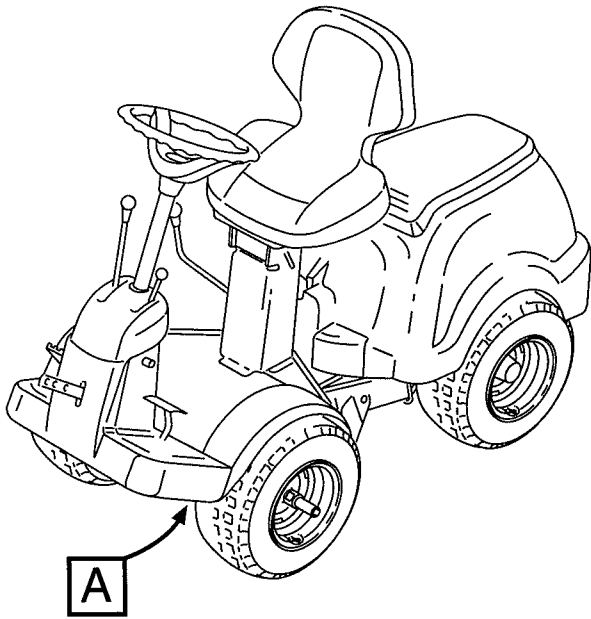
| Utgåva Issue 2006-11 | | Bildnr Picture No 1665 | | PARK COMPACT 2WD FOTREGLAGE | | PARK COMPACT 2WD FOOT CONTROLS | | Sida Page 20 | |
|----------------------------|----------------|------------------------------|--|--------------------------------|---------------------------|-----------------------------------|-------------|---------------------|--|
| Pos. Fig. | Antal/Quantity | | | Art nr Part No | Benämning | Description | Sats Kit | Anmärkning Notes | |
| | 6101 | | | | | | | | |
| 1 | 1 | | | 1134-4247-01 | Broms/kopplingspedal..... | Brake/clutch pedal..... | | Sats 4 st/kit of 4 | |
| 2 | 1 | | | 1134-9024-01 | Lager | Bearing..... | | | |
| 3 | 1 | | | 1134-3410-02 | Bromswire | Brake cable | | | |
| 4 | 1 | | | 1134-3403-01 | Wirefäste | Wire holder | | | |
| 5 | 1 | | | 1134-3280-01 | Fjäder..... | Spring | | | |
| 6 | 1 | | | 1134-3974-02 | Fjäder..... | Spring | | | |
| 7 | 1 | | | 1134-4058-01 | Wire..... | Cable..... | | | |
| 8 | 1 | | | 1134-2991-01 | Skruvögla | Eye bolt..... | | | |
| 9 | 1 | | | 9739-0531-22 | Mutter..... | Nut..... | | | |
| 10 | 1 | | | 9747-0531-02 | Mutter..... | Nut..... | | | |
| 13 | 1 | | | 1134-3974-01 | Fjäder..... | Spring..... | | | |
| 14 | 1 | | | 1134-3400-01 | Vinkelarm | Angle plate | | | |
| 15 | 2 | | | 9959-0816-16 | Skruv..... | Screw..... | | | |
| 16 | 2 | | | 9739-0831-22 | Mutter..... | Nut..... | | | |
| 17 | 1 | | | 1134-2021-01 | Växelwirefäste | Clamp..... | | | |
| 18 | 1 | | | 1134-4048-02 | Växelarm | Gear shifter arm | | | |
| 19 | 1 | | | 9699-0060-02 | Planbricka..... | Flat washer..... | | | |
| 20 | 1 | | | 9987-5016-16 | Skruv..... | Screw..... | | | |
| 21 | 1 | | | 1134-5353-01 | Bromsstång | Brake rod | | | |
| 22 | 1 | | | 1134-2786-01 | Plastknopp..... | Plastic knob | | | |
| 23 | 1 | | | 1131-1497-01 | Fjäder..... | Spring | | | |
| 24 | 1 | | | 1134-4002-01 | Fäste..... | Brake rod attachment..... | | | |
| 25 | 3 | | | 9838-9516-12 | Skruv..... | Screw..... | | | |
| 26 | 1 | | | 9570-0001-00 | Vinkellänk | Elbow link | | | |
| 27 | 2 | | | 9739-0531-22 | Mutter..... | Nut..... | | | |



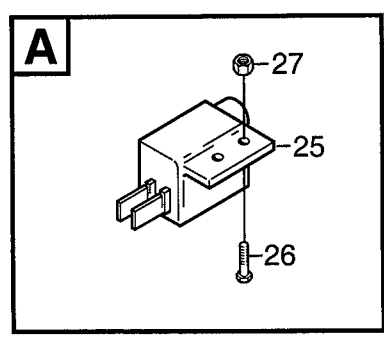
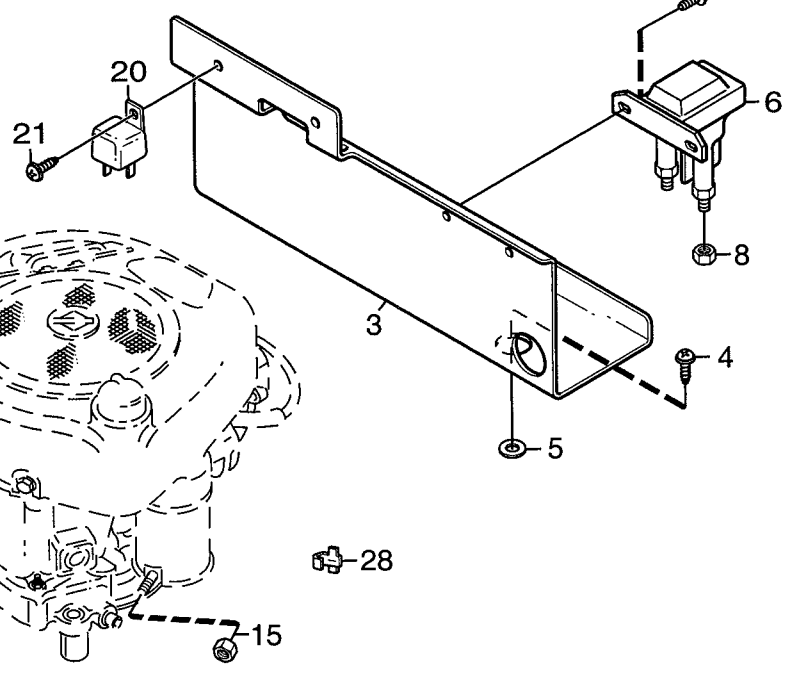
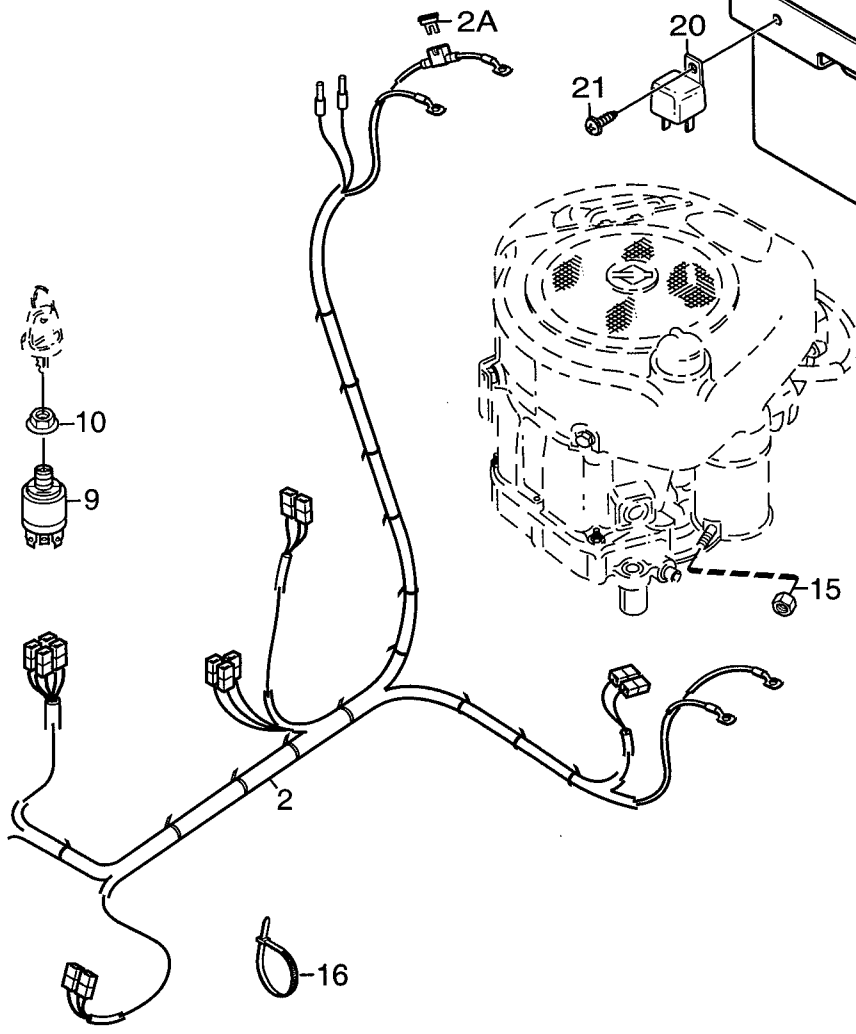
| Utgåva Issue | | Bildnr Picture No | | PARK COMPACT HST 2WD FOTREGLAGE | | PARK COMPACT HST 2WD FOOT CONTROLS | | Sida Page | |
|-----------------|----------------|----------------------|--|------------------------------------|---------------------------|---------------------------------------|-------------|---------------------|--|
| 2006-11 | | 1666 | | | | | | 22 | |
| Pos. Fig. | Antal/Quantity | | | Art nr Part No | Benämning | Description | Sats Kit | Anmärkning Notes | |
| | 6102 6103 | | | | | | | | |
| 1 | 1 | | | 1134-4247-01 | Broms/kopplingspedal..... | Brake/clutch pedal..... | | Sats 4 st/kit of 4 | |
| 2 | 1 | | | 1134-9024-01 | Lager | Bearing | | | |
| 3 | 1 | | | 1134-3584-03 | Broms/kopplingswire..... | Brake/clutch cable..... | | | |
| 4A | 1 | | | 1134-3906-01 | Wirefäste | Cable holder | | | |
| 5 | 2 | | | 9959-0816-16 | Skruv | Screw | | | |
| 6 | 2 | | | 9739-0831-22 | Mutter | Nut | | | |
| 7 | 1 | | | 1134-3974-01 | Fjäder..... | Spring | | | |
| 8 | 1 | | | 1134-4008-03 | Drivpedal | Drive pedal | | | |
| 9 | 2 | | | 1134-2780-01 | Lager | Bearing | | | |
| 10 | 2 | | | 1134-2700-01 | Fäste | Bracket | | | |
| 11 | 2 | | | 9959-0820-16 | Skruv | Screw | | | |
| 12 | 2 | | | 9739-0831-22 | Mutter | Nut | | | |
| 13 | 1 | | | 9997-0870-16 | Skruv | Screw | | | |
| 14 | 1 | | | 9959-0816-16 | Skruv | Screw | | | |
| 15 | 3 | | | 9739-0831-22 | Mutter..... | Nut | | | |
| 16 | 1 | | | 1134-2766-05 | Reglagewire..... | Speed control cable | | | |
| 17 | 2 | | | 9570-0001-00 | Vinkellänk | Elbow link | | | |
| 18 | 3 | | | 9739-0531-22 | Mutter..... | Nut | | | |
| 19 | 1 | | | 1134-0266-00 | Fästbygel | Attaching clamp | | | |
| 20 | 1 | | | 1134-0267-00 | Underläggsbleck..... | Clamp plate | | | |
| 21 | 2 | | | 9997-0520-16 | Skruv | Screw | | | |
| 22 | 2 | | | 9739-0531-22 | Mutter..... | Nut | | | |
| 23 | 1 | | | 1134-3395-01 | Fäste | Attachment..... | | | |
| 24 | 2 | | | 9959-0820-16 | Skruv | Screw | | | |
| 25 | 2 | | | 9739-0831-22 | Mutter..... | Nut | | | |
| 26 | 1 | | | 1134-2021-01 | Växelwirefäste | Clamp..... | | | |
| 27 | 1 | | | 1134-4013-01 | Distans | Spacer..... | | | |
| 28 | 1 | | | 9959-0820-16 | Skruv | Screw | | | |
| 48 | 1 | | | 1134-5353-01 | Bromsstång | Brake rod | | | |
| 49 | 1 | | | 1134-2786-01 | Plastknopp..... | Plastic knob | | | |
| 50 | 1 | | | 1131-1497-01 | Fjäder..... | Spring | | | |
| 51 | 1 | | | 1134-4002-01 | Fäste | Brake rod attachment..... | | | |
| 52 | 3 | | | 9838-9516-12 | Skruv | Screw | | | |



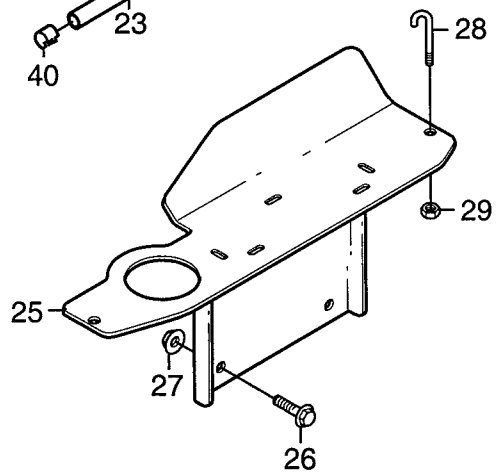
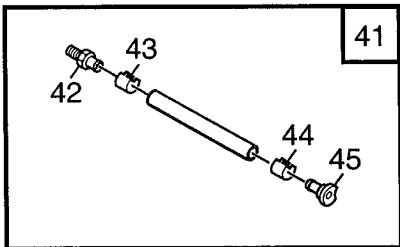
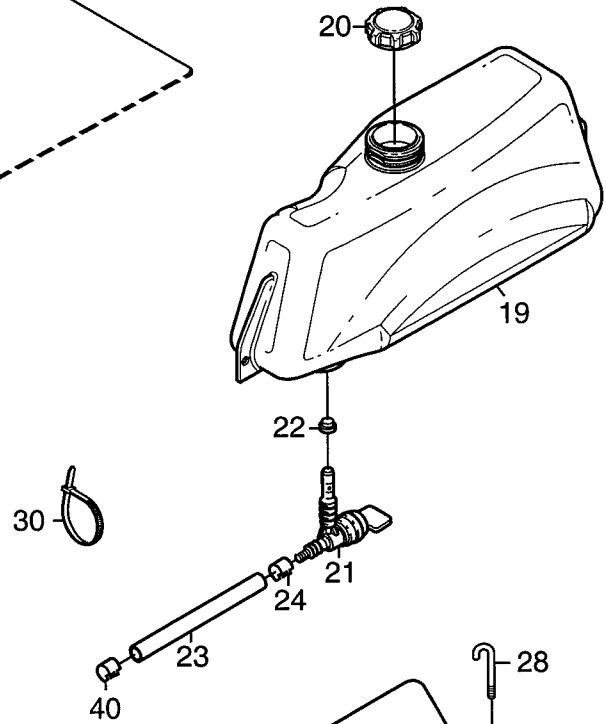
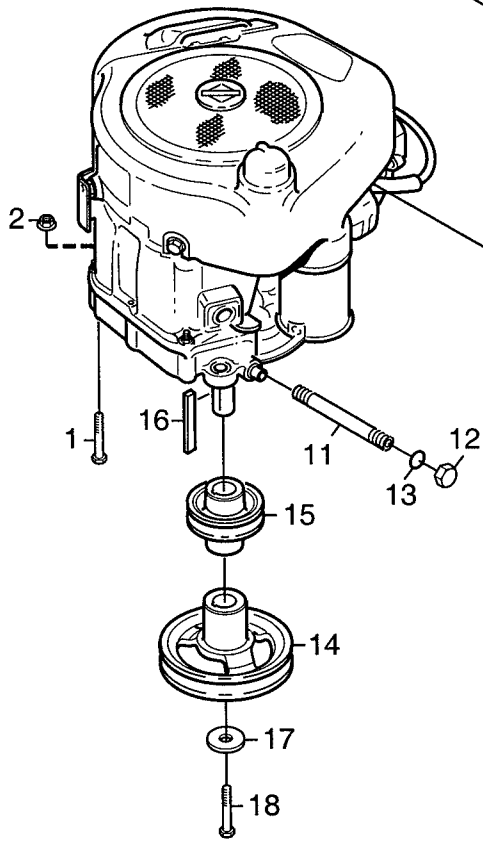
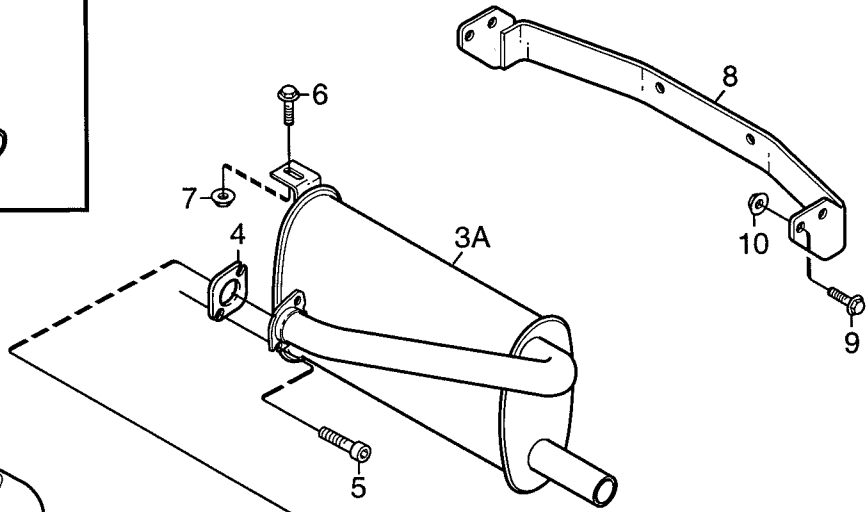
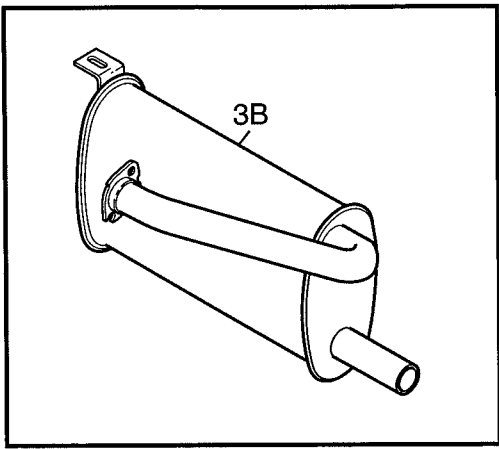
| Utgåva Issue 2006-11 | | Bildnr Picture No 2026 | | PARK COMPACT 4WD FOTREGLAGE | | PARK COMPACT 4WD FOOT CONTROLS | | Sida Page 24 | |
|----------------------------|----------------|------------------------------|--|--------------------------------|-------------------|-----------------------------------|---------------------------|--------------------|---------------------|
| Pos. Fig. | Antal/Quantity | | | | Art nr Part No | Benämning | Description | Sats Kit | Anmärkning Notes |
| | 6104 | | | | | | | | |
| X | 1 | 1 | | | 1134-5655-01 | Broms/kopplingspedal..... | Brake/clutch pedal..... | | Sats 4 st/kit of 4 |
| | 2 | 1 | | | 1134-9024-01 | Lager..... | Bearing..... | | |
| | 3 | 1 | | | 1134-5677-02 | Distans..... | Spacer..... | | |
| | 4 | 1 | | | 9997-1070-12 | Skruv..... | Screw..... | | |
| | 5 | 1 | | | 9699-0030-02 | Planbricka..... | Flat washer..... | | |
| | 6 | 1 | | | 9739-1031-22 | Mutter..... | Nut..... | | |
| X | 7 | 1 | | | 1134-6005-01 | Wire..... | Cable..... | | |
| | 8 | 1 | | | 4231-0013-00 | Fjäder..... | Spring..... | | |
| | 9 | 1 | | | 1134-3906-01 | Wirefäste..... | Cable holder..... | | |
| | 10 | 2 | | | 9959-0816-16 | Skruv..... | Screw..... | | |
| | 11 | 1 | | | 9739-0831-22 | Mutter..... | Nut..... | | |
| | 12 | 1 | | | 9747-0831-02 | Mutter..... | Lock nut..... | | |
| | 13 | 1 | | | 1134-4008-03 | Drivpedal..... | Drive pedal..... | | |
| | 14 | 2 | | | 1134-2780-01 | Lager..... | Bearing..... | | |
| | 15 | 2 | | | 1134-2700-01 | Fäste..... | Bracket..... | | |
| | 16 | 2 | | | 9959-0820-16 | Skruv..... | Screw..... | | |
| | 17 | 2 | | | 9739-0831-22 | Mutter..... | Nut..... | | |
| | 18 | 1 | | | 9997-0840-16 | Skruv..... | Screw..... | | |
| | 19 | 1 | | | 9739-0831-22 | Mutter..... | Nut..... | | |
| | 20 | 1 | | | 9787-0831-32 | Mutter..... | Nut..... | | |
| | 21 | 1 | | | 9757-0821-02 | Hattmutter..... | Cap nut..... | | |
| | 22 | 1 | | | 1134-2766-05 | Reglagewire..... | Speed control cable..... | | |
| | 23 | 2 | | | 9570-0001-00 | Vinkellänk..... | Elbow link..... | | |
| | 24 | 2 | | | 9739-0531-22 | Mutter..... | Nut..... | | |
| | 25 | 2 | | | 9747-0531-02 | Mutter..... | Nut..... | | |
| | 26 | 1 | | | 1134-0266-00 | Fästbygel..... | Attaching clamp..... | | |
| | 27 | 1 | | | 1134-0267-00 | Underläggsbleck..... | Clamp plate..... | | |
| | 28 | 2 | | | 9997-0520-16 | Skruv..... | Screw..... | | |
| | 29 | 2 | | | 9739-0531-22 | Mutter..... | Nut..... | | |
| | 30 | 1 | | | 1134-3395-01 | Fäste..... | Attachment..... | | |
| | 31 | 2 | | | 9959-0820-16 | Skruv..... | Screw..... | | |
| | 32 | 2 | | | 9739-0831-22 | Mutter..... | Nut..... | | |
| | 33 | 1 | | | 1134-2021-01 | Växelwirefäste..... | Clamp..... | | |
| | 34 | 1 | | | 1134-5353-01 | Bromsstång..... | Brake rod..... | | |
| | 35 | 1 | | | 1134-2786-01 | Plastknopp..... | Plastic knob..... | | |
| | 36 | 1 | | | 1131-1497-01 | Fjäder..... | Spring..... | | |
| | 37 | 1 | | | 1134-4002-01 | Fäste..... | Brake rod attachment..... | | |
| | 38 | 3 | | | 9838-9516-12 | Skruv..... | Screw..... | | |



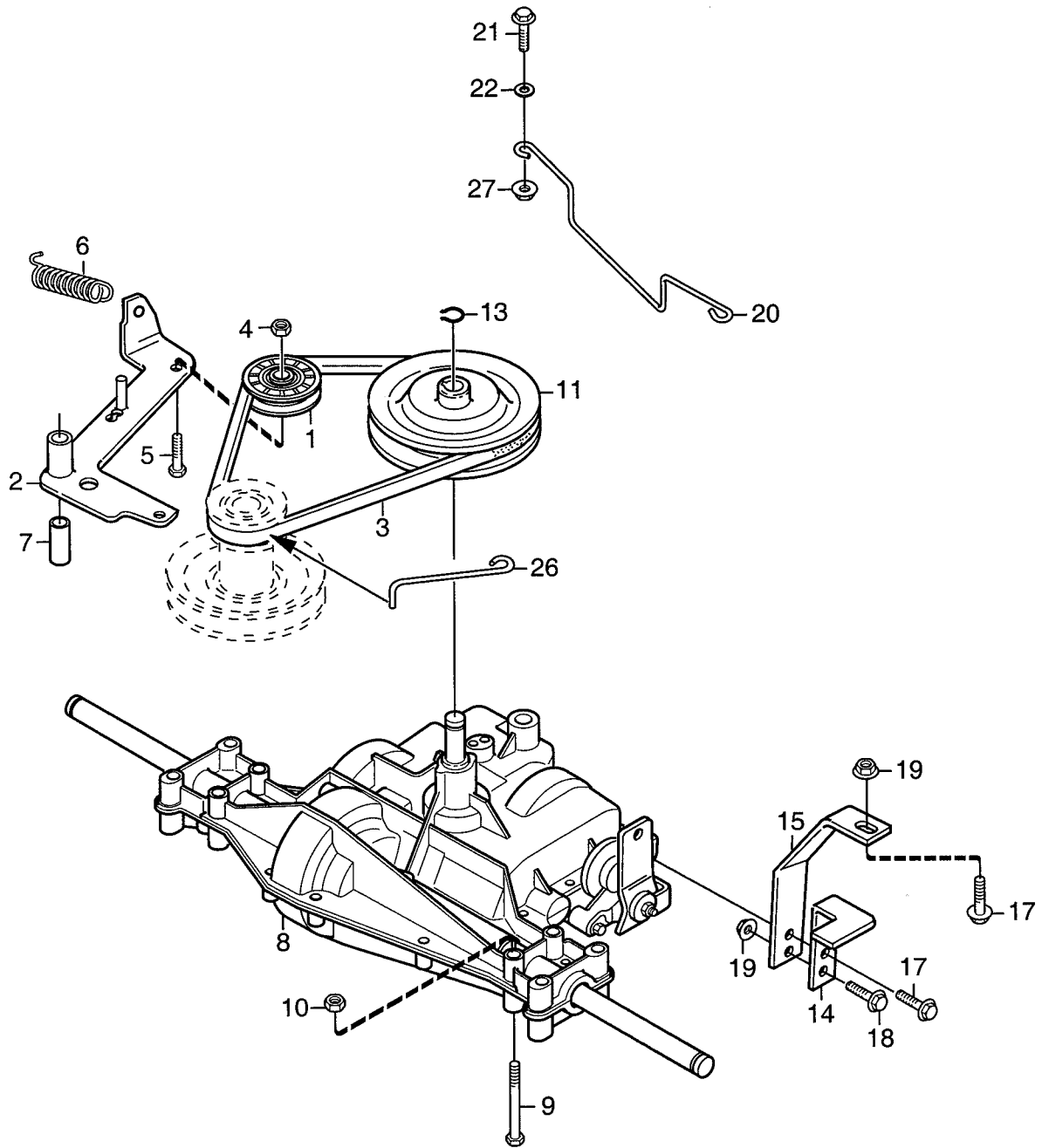
A



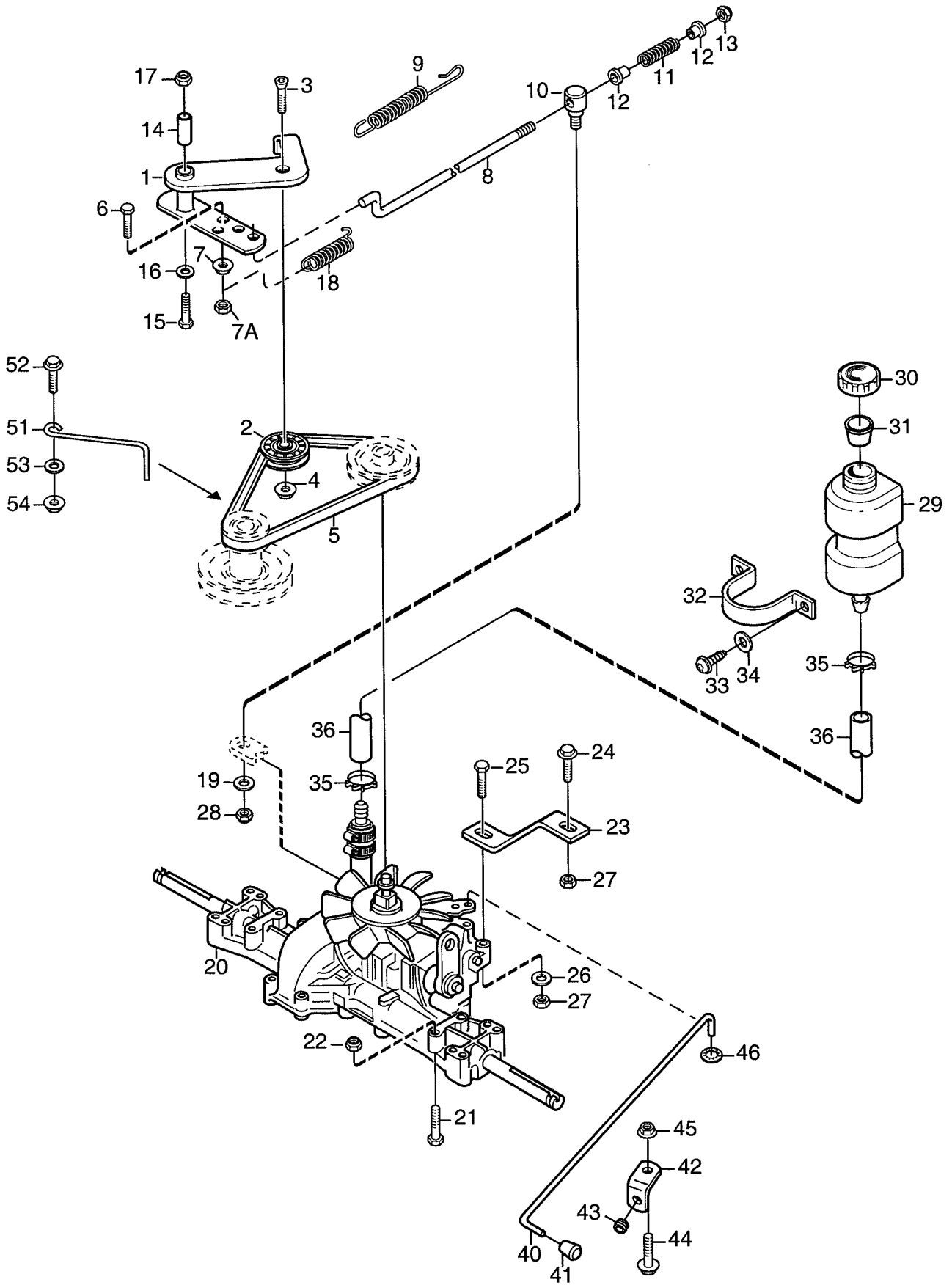
| Utgåva Issue | | Bildnr Picture No | | | PARK COMPACT ELUTRUSTNING | | PARK COMPACT EL. EQUIPMENT | | Sida Page | |
|-----------------|----------------|----------------------|------|--|------------------------------|-------------------------|-------------------------------|-------------|---------------------|--|
| 2006- 11 | | 1671 | | | | | | | 26 | |
| Pos. Fig. | Antal/Quantity | | | | Art nr Part No | Benämning | Description | Sats Kit | Anmärkning Notes | |
| | 6101 | 6102 6103 | 6104 | | | | | | | |
| 1 | 1 | 1 | 1 | | 1134-4804-01 | Batteri..... | Battery | | | |
| 2 | 1 | | | | 1134-5768-01 | Kablage..... | Harness..... | | | |
| 2 | | 1 | 1 | | 1134-5769-01 | Kablage..... | Harness..... | | | |
| 2A | 1 | 1 | 1 | | 1134-3496-06 | • Säkring | • Fuse | | 20A | |
| 3 | 1 | 1 | 1 | | 1134-5343-01 | Batterikonsol | Battery bracket..... | | | |
| 4 | 3 | 3 | 3 | | 9852-8013-16 | Skruv | Screw | | | |
| 5 | 2 | 2 | 2 | | 9699-0060-02 | Planbricka..... | Flat washer..... | | | |
| 6 | 1 | 1 | 1 | | 1134-2962-01 | Solenoid kpl | Solenoid assy..... | | | |
| 7 | 2 | 2 | 2 | | 9852-8013-16 | Skruv | Screw | | | |
| 8 | 2 | 2 | 2 | | 9794-5131-02 | • Mutter..... | • Nut | | | |
| 9 | 1 | 1 | 1 | | 1134-4093-01 | Tändningslås | Ignition switch | | | |
| 10 | 1 | 1 | 1 | | 1134-4749-01 | Mutter..... | Nut | | | |
| 11 | 1 | 1 | 1 | | 1134-5245-01 | Batterirem..... | Battery strap | | | |
| 12 | 1 | 1 | 1 | | 1134-2167-01 | Kabel | Cable | | | |
| 13 | 1 | 1 | 1 | | 1134-0234-02 | Batterikabel (+)..... | Battery cable (+)..... | | | |
| 14 | 1 | 1 | 1 | | 1134-2310-01 | Batteriskydd..... | Guard cap | | | |
| 15 | 1 | 1 | 1 | | 9795-3531-02 | Mutter..... | Nut | | | |
| 16 | 15 | 15 | 15 | | 9579-0003-00 | Buntband..... | Cable holder | | | |
| 20 | 1 | | | | 1134-2871-03 | Relä | Relay | | | |
| 21 | 1 | | | | 9852-8013-16 | Skruv | Screw | | | |
| 25 | | 1 | 1 | | 1134-3399-02 | Brytare..... | Switch | | | |
| 26 | | | 2 | | 9943-0516-16 | Skruv..... | Screw | | | |
| 26 | | 2 | | | 9997-0520-16 | Skruv..... | Screw | | | |
| 27 | | 2 | | | 9747-0531-02 | Mutter..... | Nut | | | |
| 28 | | 1 | | | 9400-0231-00 | Kabelskarv..... | Splicer..... | | | |



| Utgåva Issue 2006-11 | | Bildnr Picture No 1672B | | | | PARK COMPACT MOTOR | | PARK COMPACT ENGINE | | Sida Page 28 |
|----------------------------|----------------|-------------------------------|------|------|-------------------|---------------------------|-----------------------------|------------------------|--------------------------------|--------------------|
| Pos. Fig. | Antal/Quantity | | | | Art nr Part No | Benämning | Description | Sats Kit | Anmärkning Notes | |
| | 6101 | 6102 | 6103 | 6104 | | | | | | |
| 1 | 3 | 4 | 4 | 4 | 9955-3725-16 | Skruv | Screw | | 3/8" UNC x 25 mm M8 x 75 mm | |
| 1 | 1 | | | | 9997-0875-12 | Skruv | Screw | | | |
| 2 | 1 | | | | 9739-0831-22 | Mutter | Nut | | | |
| 3A | 1 | 1 | | | 1134-5370-01 | Ljuddämpare | Muffler | | | |
| 3B | | | 1 | 1 | 1134-5369-01 | Ljuddämpare | Muffler | | | |
| 4 | 1 | 1 | 1 | 1 | 1134-0433-00 | Ljuddämparpackning | Muffler gasket | | | |
| 5 | 2 | 2 | 2 | 2 | 1134-4930-01 | Skruv | Screw | | | |
| 6 | 1 | 1 | 1 | 1 | 9959-0820-16 | Skruv | Screw | | | |
| 7 | 1 | 1 | 1 | 1 | 9739-0831-22 | Mutter | Nut | | | |
| 8 | 1 | 1 | 1 | 1 | 1134-5390-01 | Dragkroksbalk | Tow bar bracket | | | |
| 9 | 4 | 4 | 4 | 4 | 9959-0820-16 | Skruv | Screw | | | |
| 10 | 4 | 4 | 4 | 4 | 9739-0831-22 | Mutter | Nut | | | |
| 11 | 1 | 1 | | | 1134-4978-01 | Oljeavtappn.rör kpl | Oil drain pipe assy | | | |
| 12 | 1 | 1 | | | 1134-4976-01 | • Plugg | • Plug | | | |
| 13 | 1 | 1 | | | 1134-4977-01 | • Kopparbricka | • Copper washer | | | |
| 14 | 1 | 1 | 1 | 1 | 1134-4999-01 | Motorremskiva | Engine pulley | | | |
| 15 | 1 | 1 | 1 | 1 | 1134-5000-01 | Motorremskiva | Engine pulley | | | |
| X 15 | | | | 1 | 1134-6137-01 | Motorremskiva | Engine pulley | | | |
| 16 | 1 | 1 | 1 | 1 | 9600-0251-01 | Kil | Key | L = 2 1/2" | | |
| 17 | 1 | 1 | 1 | 1 | 1134-5017-01 | Bricka | Washer | | | |
| 18 | 1 | 1 | 1 | 1 | 9987-5332-16 | Skruv | Screw | | | |
| 19 | 1 | 1 | 1 | 1 | 1134-4757-06 | Bränsletank kpl | Fuel tank assy | | Inkl. pos 20 - 24 | |
| X 19 | | | | 1 | 1134-4757-08 | Bränsletank kpl | Fuel tank assy | | Inkl. pos 20 - 24 | |
| 20 | 1 | 1 | 1 | 1 | 1134-5532-01 | • Tanklock | • Fuel tank cap | | | |
| 21 | 1 | 1 | 1 | 1 | 1134-3224-01 | • Bensinkran | • Fuel shut-off valve | | | |
| 22 | 1 | 1 | 1 | 1 | 1134-3225-01 | • Gummibussning | • Grommet | | | |
| 23 | 1 | 1 | 1 | | 1134-2975-01 | • Bensinslang | • Fuel hose | L = 520 mm | | |
| 23 | | | | 1 | 1134-2975-06 | • Bensinslang | • Fuel hose | L = 305 mm | | |
| 24 | 1 | 1 | 1 | 1 | 9578-0023-02 | • Slangklämma | • Hose clamp | | | |
| 25 | 1 | 1 | 1 | 1 | 1134-5340-01 | Tankkonsol | Fuel tank bracket | | | |
| 26 | 2 | 2 | 2 | 2 | 9959-0820-16 | Skruv | Screw | | | |
| 27 | 2 | 2 | 2 | 2 | 9739-0831-22 | Mutter | Nut | | | |
| 28 | 2 | 2 | 2 | 2 | 1134-5346-01 | Tankbygel | Fuel tank loop | | | |
| 29 | 2 | 2 | 2 | 2 | 9747-0631-02 | Låsmutter | Lock nut | | | |
| 30 | 1 | 1 | 1 | 1 | 9579-0003-00 | Buntband | Cable holder | | | |
| 40 | 1 | 1 | 1 | 1 | 9578-0023-02 | Slangklämma | Hose clamp | | | |
| 41 | | | 1 | 1 | 1134-5827-01 | Oljeavtappning kpl | Oil drain assy | | | |
| 42 | | | 1 | 1 | 1134-5825-01 | • Nippel | • Nipple | | | |
| 43 | | | 1 | 1 | 9578-0023-04 | • Slangklämma | • Hose clamp | | | |
| 44 | | | 1 | 1 | 1134-3499-02 | • Slangklämma | • Hose clamp | | | |
| 45 | | | 1 | 1 | 1134-5826-01 | • Plugg | • Plug | | | |



| Utgåva Issue | | Bildnr Picture No | | PARK COMPACT 2WD TRANSMISSION | | PARK COMPACT 2WD TRANSMISSION | | Sida Page | |
|-----------------|----------------|----------------------|--|----------------------------------|---------------------|----------------------------------|-------------|---------------------|--|
| 2006-11 | | 1667 | | | | | | 30 | |
| Pos. Fig. | Antal/Quantity | | | Art nr Part No | Benämning | Description | Sats Kit | Anmärkning Notes | |
| | 6101 | | | | | | | | |
| 1 | 1 | | | 1134-9027-01 | Spännrulle | Tension roller | | | |
| 2 | 1 | | | 1134-2015-04 | Spännarm | Tension arm | | | |
| 3 | 1 | | | 1134-9013-01 | Drivrem | V-belt | | = 9585-0057-00 | |
| 4 | 1 | | | 9799-1031-02 | Mutter | Nut | | | |
| 5 | 1 | | | 9997-1030-16 | Skruv | Screw | | | |
| 6 | 1 | | | 1134-4337-01 | Dragfjäder | Spring | | | |
| 7 | 1 | | | 1134-1565-01 | Distans | Spacer | | | |
| 8 | 1 | | | 1134-5282-01 | Transaxel kpl. | Transaxle assy | | Dana 4360-198 | |
| 9 | 3 | | | 9997-0865-12 | Skruv | Screw | | L = 65 mm | |
| 9 | 1 | | | 9997-0870-16 | Skruv | Screw | | L = 70 mm | |
| 10 | 4 | | | 9747-0831-02 | Mutter | Lock nut | | | |
| 11 | 1 | | | 1134-3182-01 | Remskiva | Belt pulley | | | |
| 13 | 1 | | | 9650-0016-04 | Spårring | Lock ring | | | |
| 14 | 1 | | | 1134-2045-02 | Bromsstopp | Brake stop | | | |
| 15 | 1 | | | 1134-2986-01 | Konsol | Bracket | | | |
| 17 | 2 | | | 9942-0820-16 | Skruv | Screw | | | |
| 18 | 1 | | | 9959-0816-16 | Skruv | Screw | | | |
| 19 | 2 | | | 9739-0831-22 | Mutter | Nut | | | |
| 20 | 1 | | | 1134-5529-01 | Remstyrning | Belt guide | | | |
| 21 | 2 | | | 9959-0820-16 | Skruv | Screw | | | |
| 22 | 2 | | | 9699-0056-02 | Planbricka | Flat washer | | | |
| 26 | 1 | | | 1134-3289-02 | Remstyrning | Belt guide | | | |
| 27 | 2 | | | 9739-0831-22 | Mutter | Nut | | | |

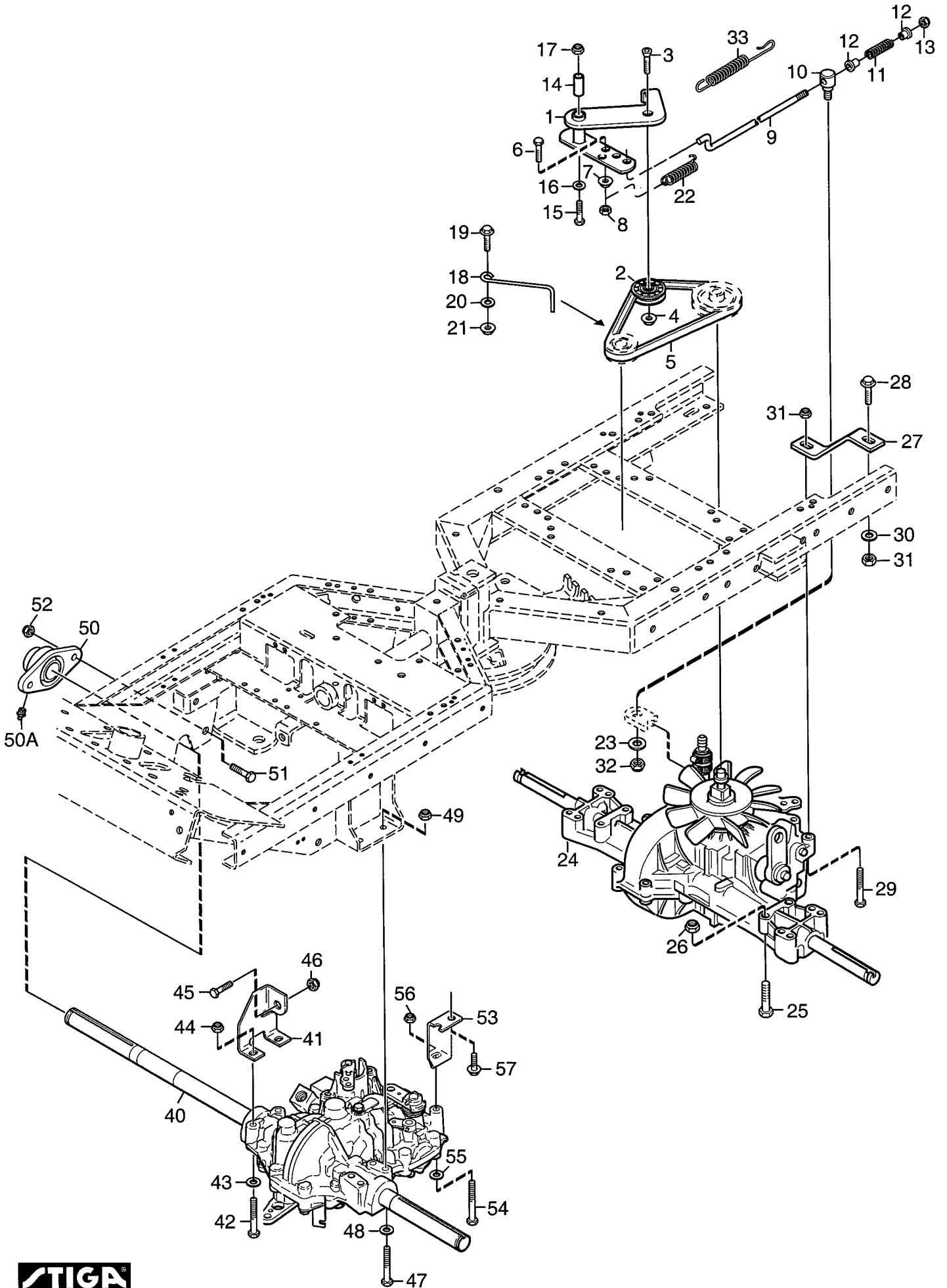


| Utgåva Issue | | Bildnr Picture No | | PARK COMPACT HST 2WD TRANSMISSION | | PARK COMPACT HST 2WD TRANSMISSION | | Sida Page | |
|-----------------|----------------|----------------------|--|--------------------------------------|----------------------|--------------------------------------|-------------|---------------------|--|
| 2006-11 | | 1668A | | | | | | 32 | |
| Pos. Fig. | Antal/Quantity | | | Art nr Part No | Benämning | Description | Sats Kit | Anmärkning Notes | |
| | 6102 6103 | | | | | | | | |
| 1 | 1 | | | 1134-4000-02 | Spännarm | Tension arm | | | |
| 2 | 1 | | | 1134-3459-01 | Spännrulle | Tension roller | | | |
| 3 | 1 | | | 9924-1035-16 | Skruv | Screw | | | |
| 4 | 1 | | | 9799-1031-02 | Mutter | Nut | | | |
| 5 | 1 | | | 1134-9058-01 | Drivrem | V-belt | | | |
| 6 | 1 | | | 9997-0625-16 | Skruv | Screw | | | |
| 7 | 1 | | | 9739-0631-22 | Mutter | Nut | | | |
| 7A | 1 | | | 9747-0631-02 | Låsmutter | Lock nut | | | |
| 8 | 1 | | | 1134-3377-02 | Reglagestång | Control rod | | | |
| 9 | 1 | | | 4231-0013-00 | Fjäder | Spring | | | |
| 10 | 1 | | | 1134-4171-01 | Ledtapp | Pivot pin | | | |
| 11 | 1 | | | 1134-4183-01 | Tryckfjäder | Compression spring | | | |
| 12 | 2 | | | 1134-3456-01 | Bussning | Bushing | | | |
| 13 | 1 | | | 9747-0631-02 | Låsmutter | Lock nut | | | |
| 14 | 1 | | | 1134-1565-08 | Distans | Spacer | | | |
| 15 | 1 | | | 9997-0870-16 | Skruv | Screw | | | |
| 16 | 1 | | | 9699-0056-02 | Planbricka | Flat washer | | | |
| 17 | 1 | | | 9747-0831-02 | Mutter | Lock nut | | | |
| 18 | 1 | | | 1134-1949-01 | Fjäder | Spring | | | |
| 19 | 1 | | | 9699-0060-02 | Planbricka | Flat washer | | | |
| 20 | 1 | | | 1134-4848-01 | Transaxel | Transaxle | | | |
| 21 | 4 | | | 9997-0865-12 | Skruv | Screw | | | |
| 22 | 4 | | | 9747-0831-02 | Mutter | Lock nut | | | |
| 23 | 1 | | | 1134-3913-01 | Reaktionsstag | Strut | | | |
| 24 | 1 | | | 9959-0825-16 | Skruv | Screw | | | |
| 25 | 1 | | | 9997-0845-12 | Skruv | Screw | | | |
| 26 | 1 | | | 9699-0028-02 | Planbricka | Flat washer | | | |
| 27 | 2 | | | 9747-0831-02 | Mutter | Lock nut | | | |
| 28 | 1 | | | 9747-0631-02 | Låsmutter | Lock nut | | | |
| 29 | 1 | | | 1134-2765-02 | Oljetank | Oil tank | | | |
| 30 | 1 | | | 1134-2777-02 | Tanklock | Filler cap | | | |
| 31 | 1 | | | 1134-3734-01 | Luftningsplugg | Vent plug | | | |
| 32 | 1 | | | 1134-2778-01 | Fästband | Retainer strap | | | |
| 33 | 2 | | | 9852-8013-16 | Skruv | Screw | | | |
| 34 | 2 | | | 9699-0099-02 | Bricka | Washer | | | |
| 35 | 2 | | | 9578-0023-04 | Slangklämma | Hose clamp | | | |
| 36 | 1 | | | 1134-2779-07 | Slang | Tube | | L = 140 mm | |
| 40 | 1 | | | 1134-4015-01 | Dragstång | Pull rod | | | |
| 41 | 1 | | | 1134-4014-01 | Plastknopp | Plastic button | | | |
| 42 | 1 | | | 1134-4713-01 | Vinkel | Bracket | | | |
| 43 | 1 | | | 1134-2790-01 | Gummihylsa | Rubber grommet | | | |
| 44 | 1 | | | 9959-0816-16 | Skruv | Screw | | | |
| 45 | 1 | | | 9739-0831-22 | Mutter | Nut | | | |
| 46 | 1 | | | 9675-0009-02 | Starlock | Starlock | | | |
| 51 | 1 | | | 1134-3289-02 | Remstyrning | Belt guide | | | |
| 52 | 1 | | | 9959-0820-16 | Skruv | Screw | | | |
| 53 | 1 | | | 9699-0056-02 | Planbricka | Flat washer | | | |
| 54 | 1 | | | 9739-0831-22 | Mutter | Nut | | | |

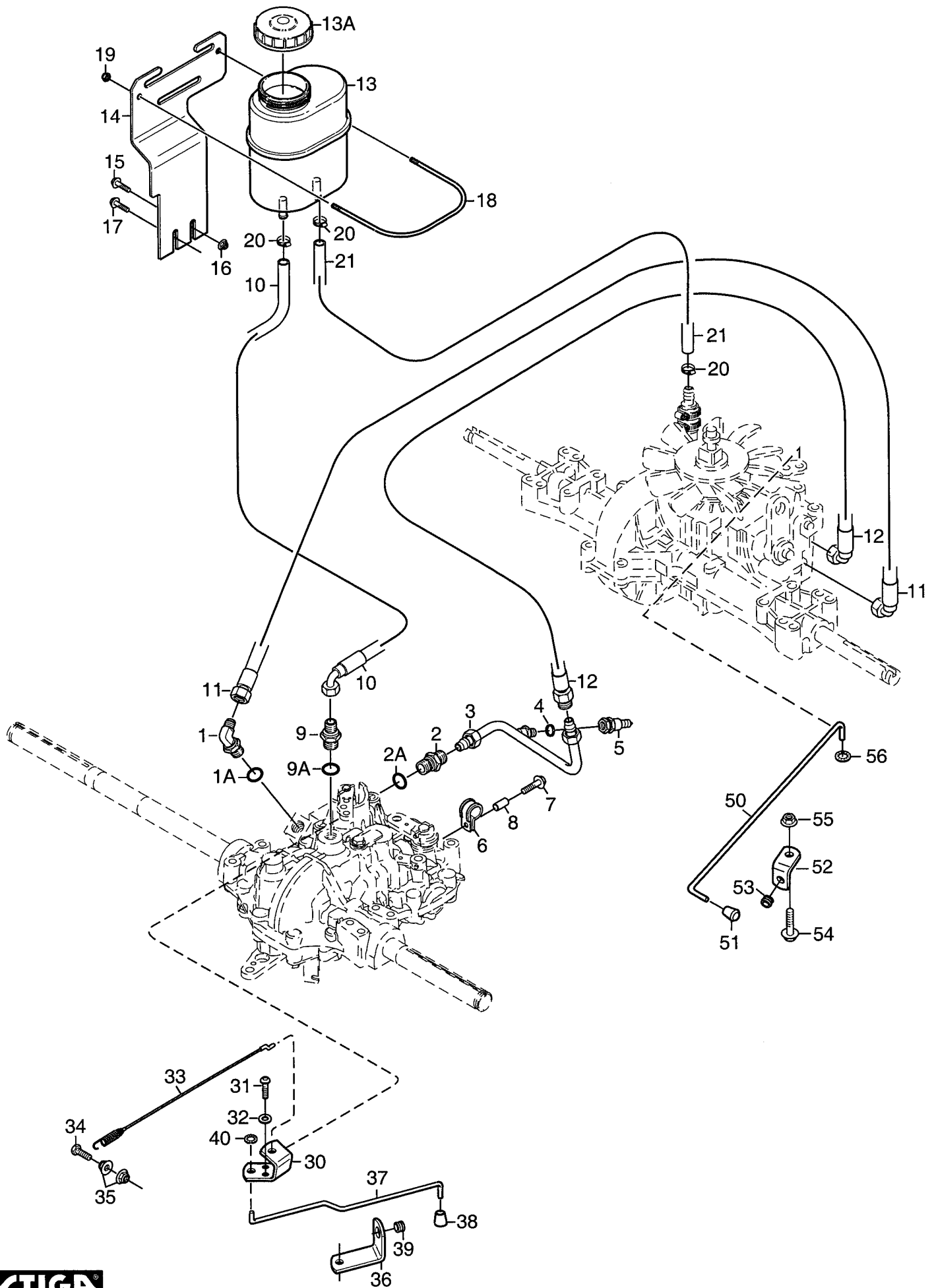
= 9585-0091-01

Kanzaki K46G

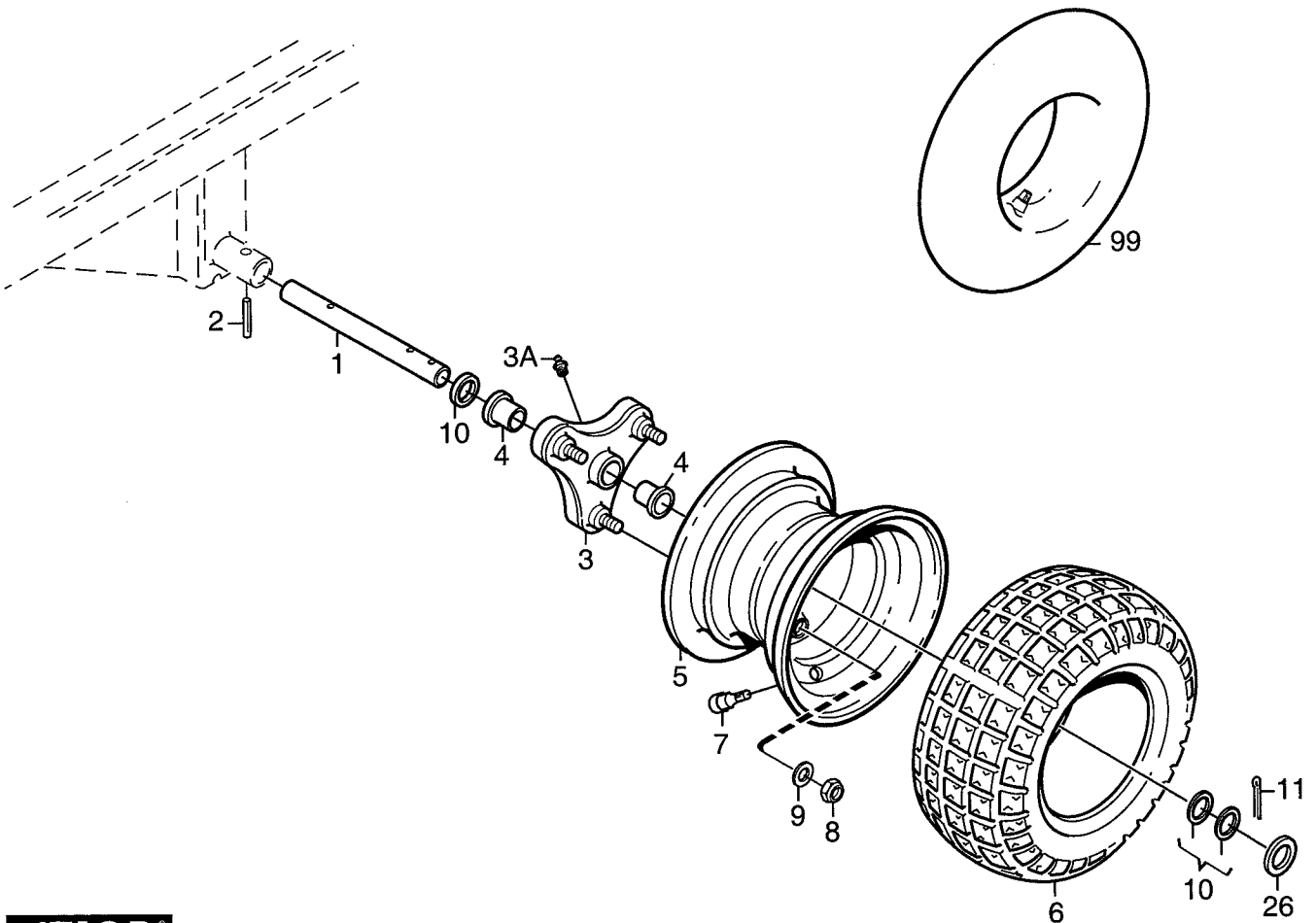
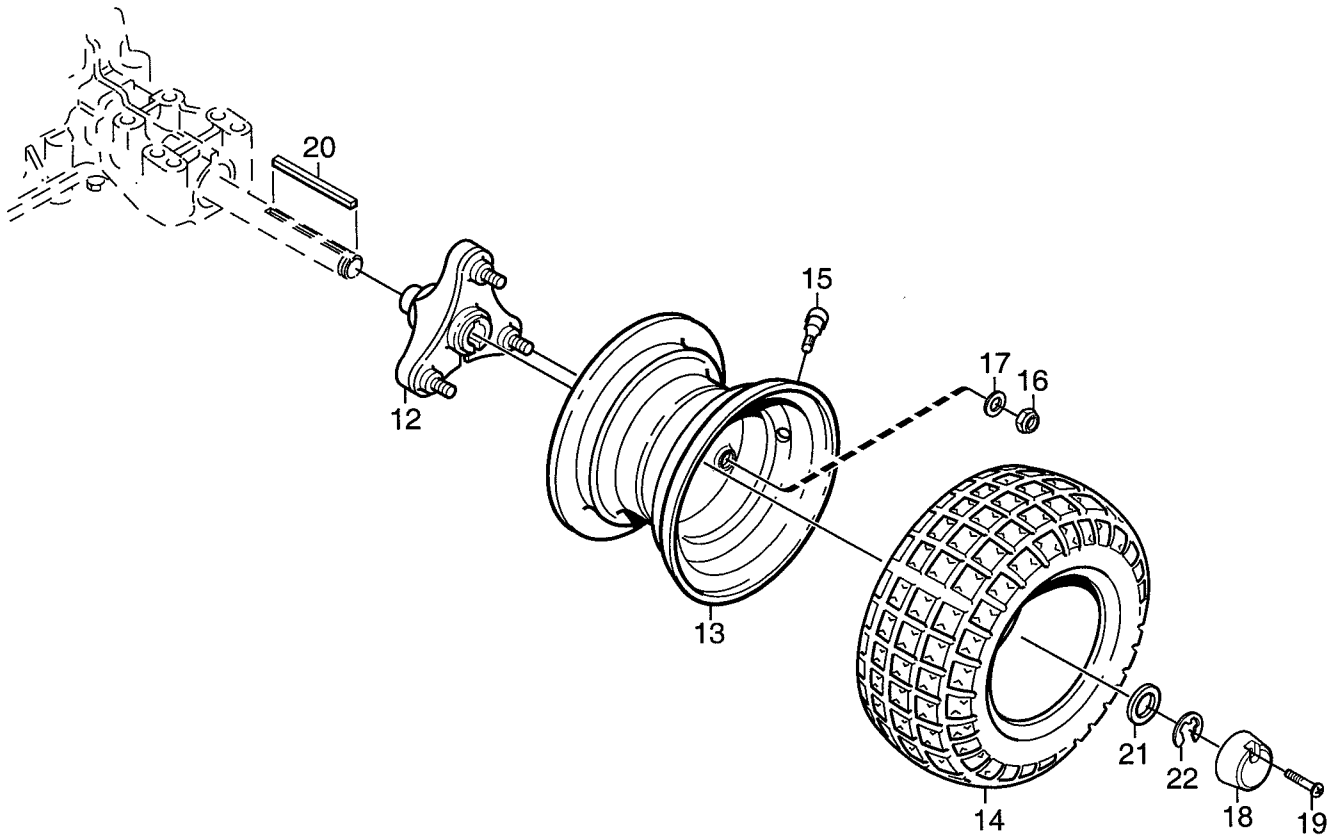
L = 140 mm



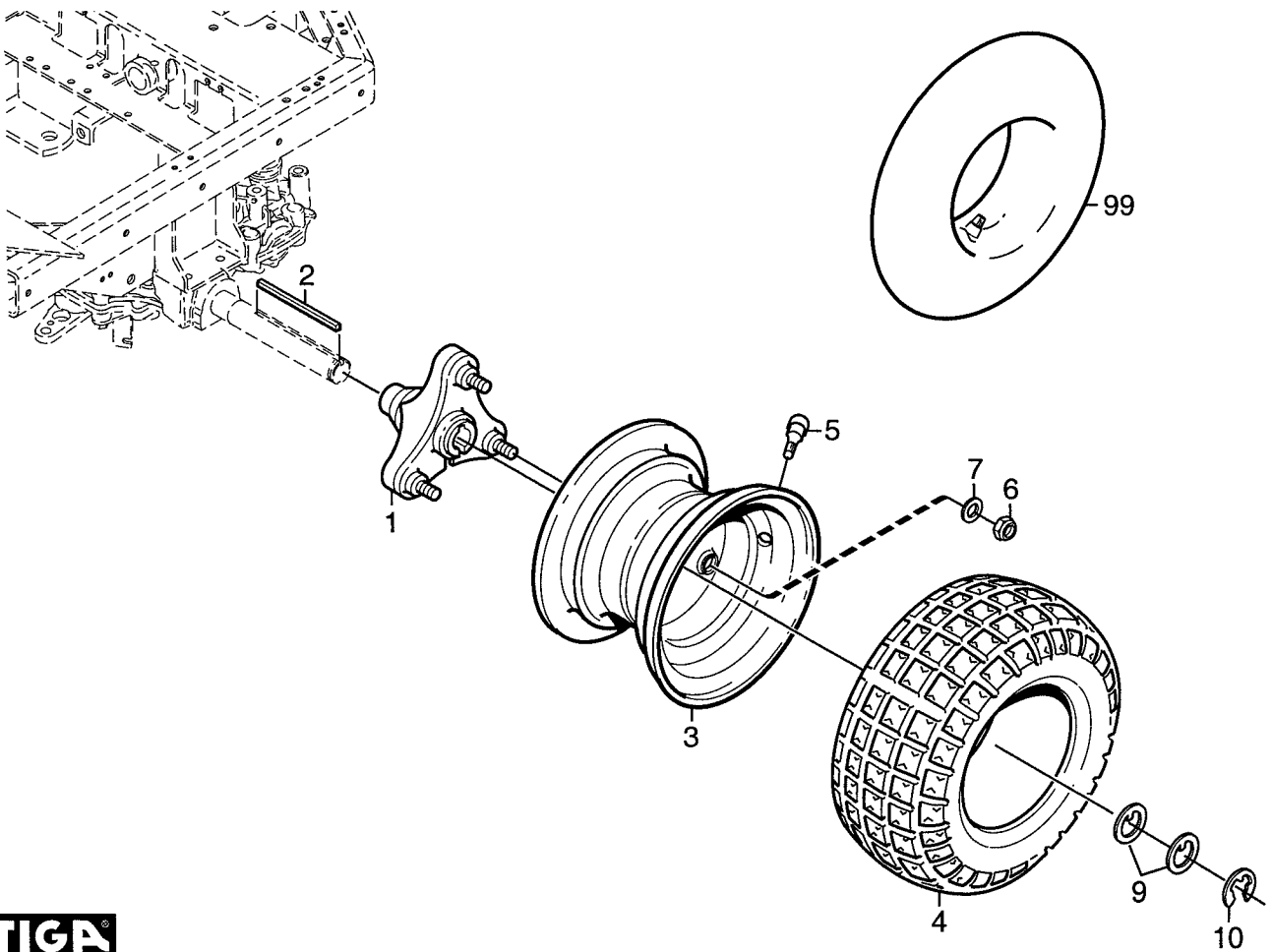
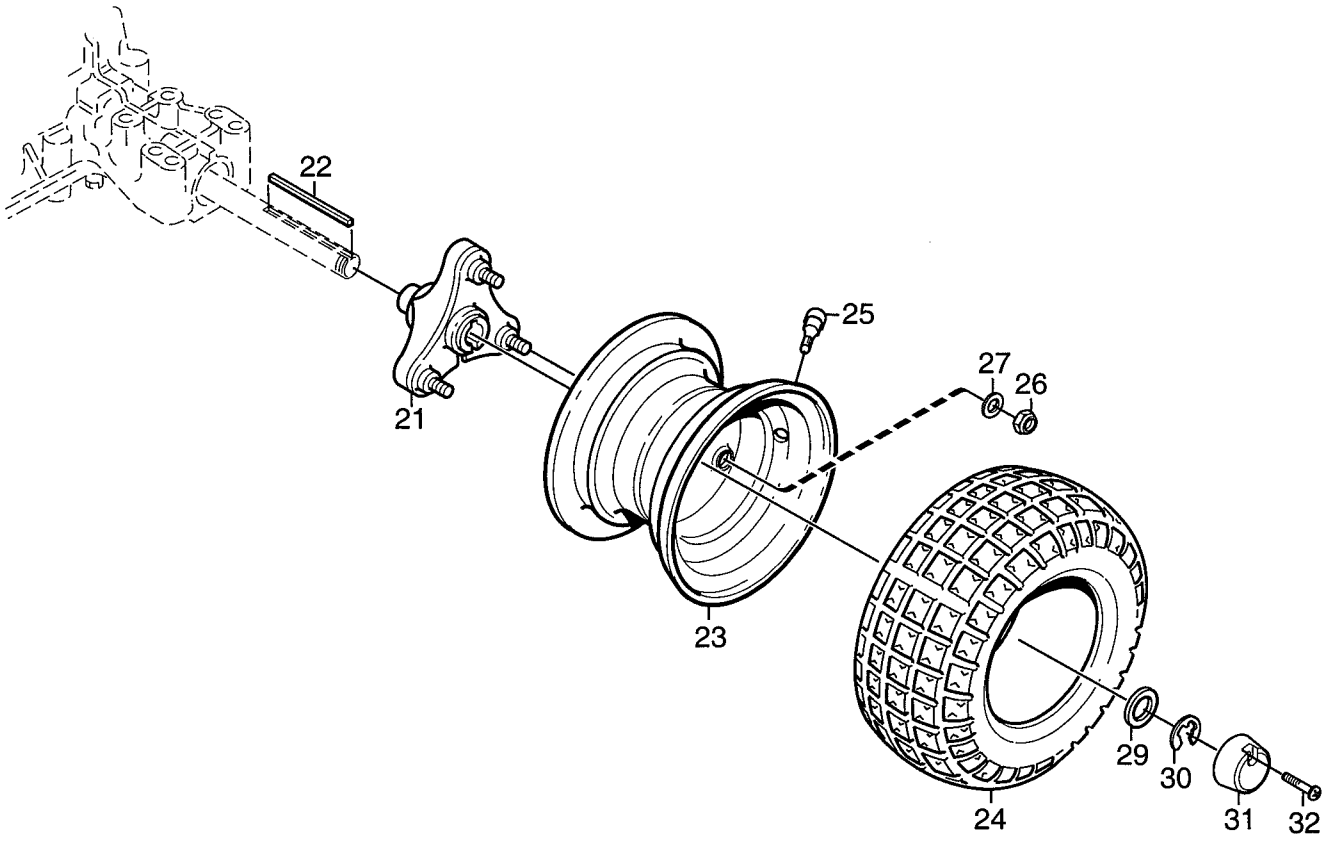
| Utgåva Issue | | Bildnr Picture No | | PARK COMPACT 4WD TRANSMISSION (mekaniska delar) | | PARK COMPACT 4WD TRANSMISSION (mechanical parts) | | Sida Page | |
|-----------------|----------------|----------------------|--|---|----------------------|--|-------------|---------------------|--|
| 2006-11 | | 2027 | | | | | | 34 | |
| Pos. Fig. | Antal/Quantity | | | Art nr Part No | Benämning | Description | Sats Kit | Anmärkning Notes | |
| | 6104 | | | | | | | | |
| | 1 | | | 1134-4000-02 | Spännarm..... | Tension arm..... | | | |
| | 2 | | | 1134-3459-01 | Spännrulle..... | Tension roller..... | | | |
| | 3 | | | 9924-1035-16 | Skruv..... | Screw..... | | | |
| | 4 | | | 9799-1031-02 | Mutter..... | Nut..... | | | |
| | 5 | | | 1134-9058-01 | Drivrem..... | V-belt..... | | = 9585-0091-01 | |
| | 6 | | | 9997-0625-16 | Skruv..... | Screw..... | | | |
| | 7 | | | 9739-0631-22 | Mutter..... | Nut..... | | | |
| | 8 | | | 9747-0631-02 | Låsmutter..... | Lock nut..... | | | |
| | 9 | | | 1134-3377-02 | Reglagestång..... | Control rod..... | | | |
| | 10 | | | 1134-4171-01 | Ledtapp..... | Pivot pin..... | | | |
| | 11 | | | 1134-4183-01 | Tryckfjäder..... | Compression spring..... | | | |
| | 12 | | | 1134-3456-01 | Bussning..... | Bushing..... | | | |
| | 13 | | | 9747-0631-02 | Låsmutter..... | Lock nut..... | | | |
| | 14 | | | 1134-1565-08 | Distans..... | Spacer..... | | | |
| | 15 | | | 9997-0870-16 | Skruv..... | Screw..... | | | |
| | 16 | | | 9699-0056-02 | Planbricka..... | Flat washer..... | | | |
| | 17 | | | 9747-0831-02 | Mutter..... | Lock nut..... | | | |
| | 18 | | | 1134-3289-02 | Remstyrning..... | Belt guide..... | | | |
| | 19 | | | 9959-0820-16 | Skruv..... | Screw..... | | | |
| | 20 | | | 9699-0056-02 | Planbricka..... | Flat washer..... | | | |
| | 21 | | | 9739-0831-22 | Mutter..... | Nut..... | | | |
| | 22 | | | 1134-1949-01 | Fjäder..... | Spring..... | | | |
| | 23 | | | 9699-0060-02 | Planbricka..... | Flat washer..... | | | |
| X | 24 | | | 1134-6028-01 | Transaxel..... | Transaxle..... | | Kanzaki K574B | |
| | 25 | | | 9997-0865-12 | Skruv..... | Screw..... | | | |
| | 26 | | | 9747-0831-02 | Mutter..... | Lock nut..... | | | |
| | 27 | | | 1134-3913-01 | Reaktionsstag..... | Strut..... | | | |
| | 28 | | | 9959-0825-16 | Skruv..... | Screw..... | | | |
| | 29 | | | 9997-0845-12 | Skruv..... | Screw..... | | | |
| | 30 | | | 9699-0028-02 | Planbricka..... | Flat washer..... | | | |
| | 31 | | | 9747-0831-02 | Mutter..... | Lock nut..... | | | |
| | 32 | | | 9747-0631-02 | Låsmutter..... | Lock nut..... | | | |
| | 33 | | | 4231-0013-00 | Fjäder..... | Spring..... | | | |
| X | 40 | | | 1134-6029-01 | Motoraxel- fram..... | Motor unit- front..... | | Kanzaki KTM 10M | |
| | 41 | | | 1134-5650-01 | Transaxelfäste..... | Transaxle bracket..... | | | |
| | 42 | | | 9997-0860-16 | Skruv..... | Screw..... | | | |
| | 43 | | | 9699-0090-02 | Planbricka..... | Flat washer..... | | | |
| | 44 | | | 9747-0831-02 | Mutter..... | Lock nut..... | | | |
| | 45 | | | 9959-1025-16 | Skruv..... | Screw..... | | | |
| | 46 | | | 9747-1031-02 | Låsmutter..... | Lock nut..... | | | |
| | 47 | | | 9997-0865-12 | Skruv..... | Screw..... | | | |
| | 48 | | | 9699-0090-02 | Planbricka..... | Flat washer..... | | | |
| | 49 | | | 9747-0831-02 | Mutter..... | Lock nut..... | | | |
| | 50 | | | 1134-5703-01 | Flänslagerenhet..... | Flange bearing..... | | | |
| | 50A | | | 9501-0500-00 | • Smörjnippel..... | • Grease joint..... | | | |
| | 51 | | | 9997-1040-16 | Skruv..... | Screw..... | | | |
| | 52 | | | 9747-1031-02 | Låsmutter..... | Lock nut..... | | | |
| | 53 | | | 1134-5670-01 | Reaktionsstag..... | Strut..... | | | |
| | 54 | | | 9997-0880-16 | Skruv..... | Screw..... | | | |
| | 55 | | | 9699-0090-02 | Planbricka..... | Flat washer..... | | | |
| | 56 | | | 9747-0831-02 | Mutter..... | Lock nut..... | | | |
| | 57 | | | 9945-0816-16 | Skruv..... | Screw..... | | | |



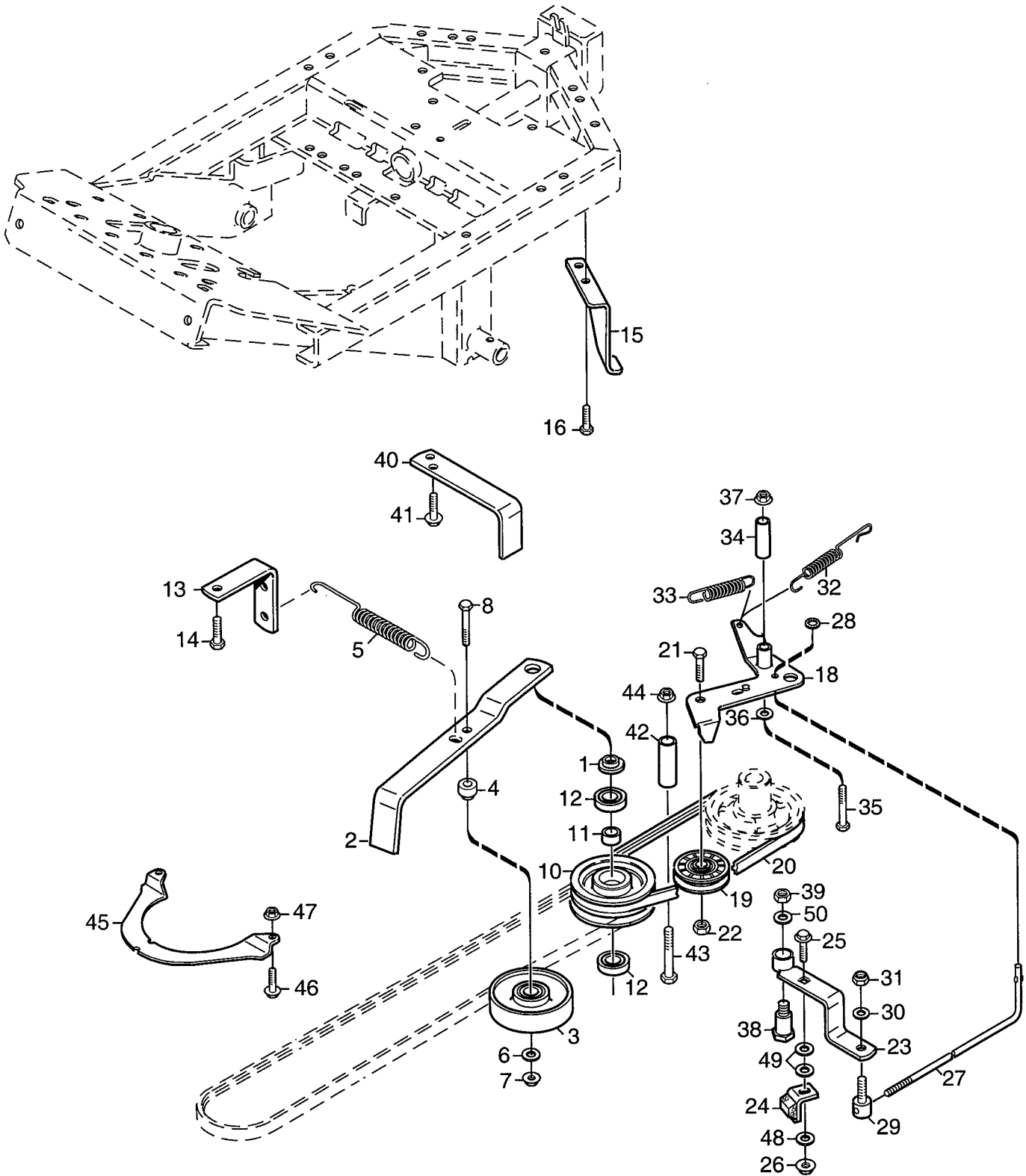
| Utgåva Issue | | Bildnr Picture No | | PARK COMPACT 4WD TRANSMISSION (hydrauliska delar) | | PARK COMPACT 4WD TRANSMISSION (hydraulic parts) | | Sida Page | |
|-----------------|----------------|----------------------|--|---|-------------------------|---|-------------|---------------------|--|
| 2006-11 | | 2028 | | | | | | 36 | |
| Pos. Fig. | Antal/Quantity | | | Art nr Part No | Benämning | Description | Sats Kit | Anmärkning Notes | |
| | 6104 | | | | | | | | |
| X | 1 | 1 | | 1134-6044-01 | Vinkeladapter..... | Angle coupling..... | | 3/4" x 9/16" | |
| | 1A | 1 | | 9404-0029-01 | • O-ring..... | • O-ring..... | | | |
| | 2 | 1 | | 1134-5875-01 | Skärringskoppling..... | Hydraulic coupling..... | | 3/4" | |
| | 2A | 1 | | 9404-0029-01 | • O-ring..... | • O-ring..... | | | |
| X | 3 | 1 | | 1134-6039-01 | Hydraulrör..... | Hydraulic pipe..... | | | |
| | 4 | 1 | | 1134-4948-01 | Tredobricka..... | Seal washer..... | | 1/4" | |
| X | 5 | 1 | | 1134-6042-01 | Snabbkoppling-hane..... | Quick coupling-male..... | | | |
| X | 6 | 1 | | 9578-0028-01 | Rörklammer..... | Tube clamp..... | | | |
| | 7 | 1 | | 9959-0825-16 | Skruv..... | Screw..... | | | |
| | 8 | 1 | | 1134-1565-09 | Distans..... | Spacer..... | | | |
| | 9 | 1 | | 1134-5809-01 | Adapter..... | Hydraulic coupling..... | | 3/4" x 9/16" | |
| | 9A | 1 | | 9404-0029-01 | • O-ring..... | • O-ring..... | | | |
| | 10 | 1 | | 1134-5758-01 | Hydraulslang..... | Hydraulic tube..... | | | |
| X | 11 | 1 | | 1134-6048-01 | Hydraulslang..... | Hydraulic tube..... | | | |
| X | 12 | 1 | | 1134-6043-01 | Hydraulslang..... | Hydraulic tube..... | | | |
| X | 13 | 1 | | 1134-6011-01 | Hydraultank..... | Hydraulic oil tank..... | | | |
| | 13A | 1 | | 1134-5965-01 | • Tanklock..... | • Tank cap..... | | | |
| X | 14 | 1 | | 1134-6009-01 | Tankkonsol..... | Tank bracket..... | | | |
| | 15 | 1 | | 9959-0820-16 | Skruv..... | Screw..... | | | |
| | 16 | 1 | | 9739-0831-22 | Mutter..... | Nut..... | | | |
| | 17 | 1 | | 9945-0816-16 | Skruv..... | Screw..... | | | |
| X | 18 | 1 | | 1134-6030-01 | Tankbygel..... | Tank loop..... | | | |
| | 19 | 2 | | 9747-0631-02 | Låsmutter..... | Lock nut..... | | | |
| | 20 | 3 | | 9578-0023-04 | Slangklämma..... | Hose clamp..... | | | |
| X | 21 | 1 | | 1134-2779-08 | Slang..... | Tube..... | | L = 165 mm | |
| X | 30 | 1 | | 1134-6162-01 | Fäste..... | Bracket..... | | | |
| | 31 | 2 | | 9939-0612-16 | Skruv..... | Screw..... | | | |
| | 32 | 2 | | 9699-0025-02 | Planbricka..... | Washer..... | | | |
| X | 33 | 1 | | 1134-6163-01 | Wire..... | Cable..... | | | |
| | 34 | 1 | | 9997-0835-12 | Skruv..... | Screw..... | | | |
| | 35 | 2 | | 9739-0831-22 | Mutter..... | Nut..... | | | |
| X | 36 | 1 | | 1134-6084-01 | Reglagekonsol..... | Control bracket..... | | | |
| X | 37 | 1 | | 1134-6083-01 | Reglagestång..... | Control rod..... | | | |
| | 38 | 1 | | 1134-4014-01 | Plastknopp..... | Plastic button..... | | | |
| | 39 | 1 | | 1134-2790-01 | Gummihylsa..... | Rubber grommet..... | | | |
| | 40 | 1 | | 9675-0009-02 | Starlock..... | Starlock..... | | | |
| | 50 | 1 | | 1134-4015-01 | Dragstång..... | Pull rod..... | | | |
| | 51 | 1 | | 1134-4014-01 | Plastknopp..... | Plastic button..... | | | |
| | 52 | 1 | | 1134-4713-01 | Vinkel..... | Bracket..... | | | |
| | 53 | 1 | | 1134-2790-01 | Gummihylsa..... | Rubber grommet..... | | | |
| | 54 | 1 | | 9959-0816-16 | Skruv..... | Screw..... | | | |
| | 55 | 1 | | 9739-0831-22 | Mutter..... | Nut..... | | | |
| | 56 | 1 | | 9675-0009-02 | Starlock..... | Starlock..... | | | |



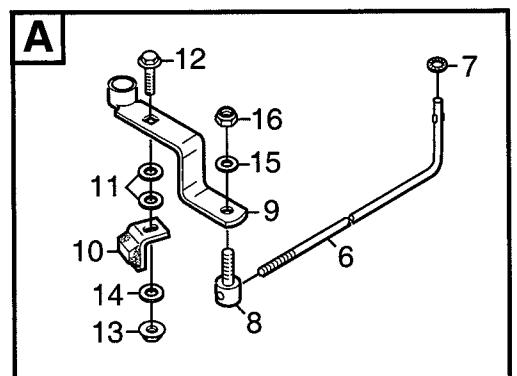
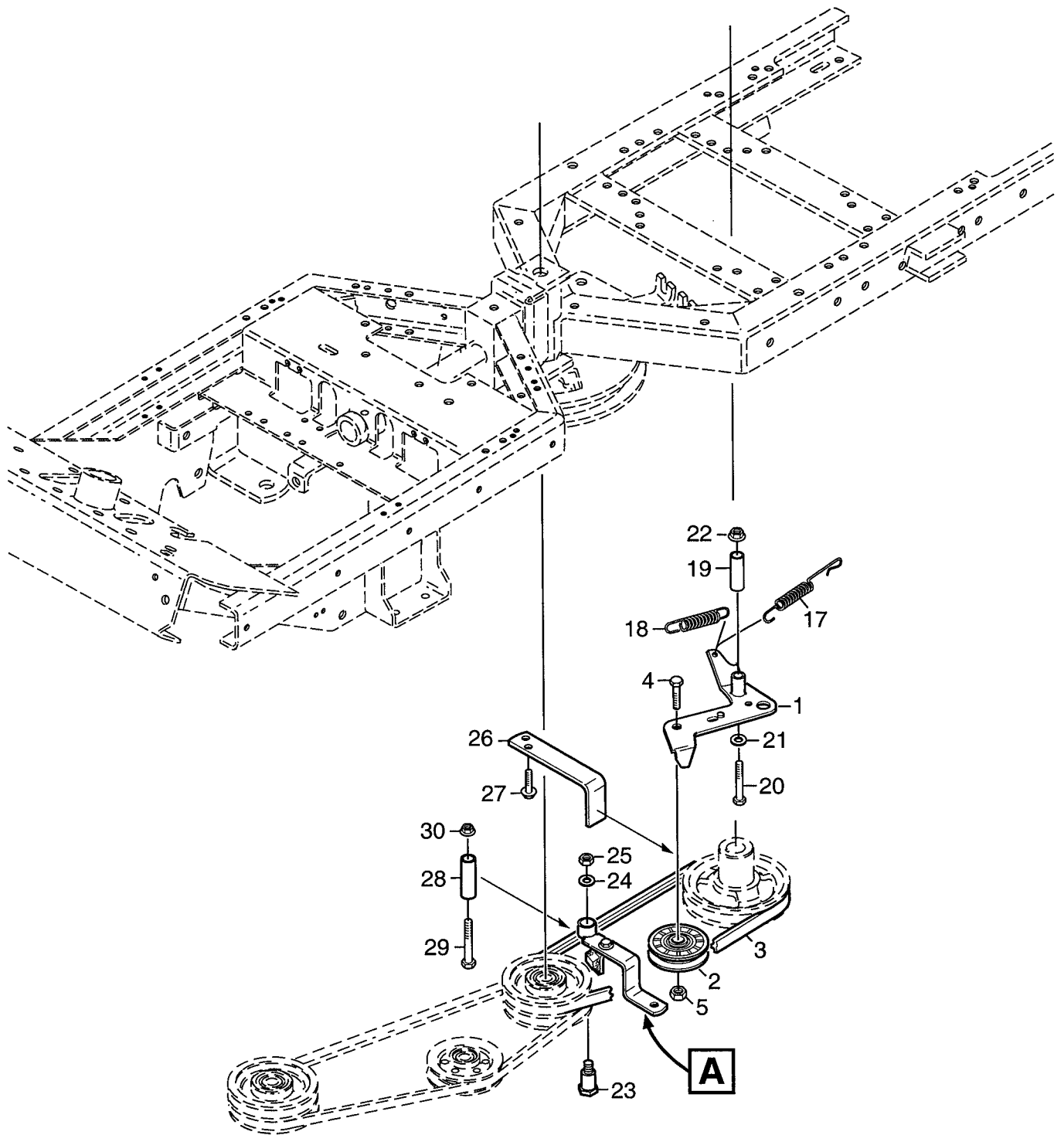
| Utgåva Issue | | Bildnr Picture No | | PARK COMPACT 2WD HJUL | | PARK COMPACT 2WD WHEELS | | Sida Page | |
|-----------------|----------------|----------------------|------|--------------------------|-----------------------|----------------------------|-------------|----------------------|--|
| 2006-11 | | 1346B | | | | | | 38 | |
| Pos. Fig. | Antal/Quantity | | | Art nr Part No | Benämning | Description | Sats Kit | Anmärkning Notes | |
| | 6101 | 6102 | 6103 | | | | | | |
| 1 | 2 | | | 1134-0075-01 | Framaxeltapp | Front axle | | | |
| 2 | 2 | | | 9595-0258-00 | Spännstift | Locating pin | | | |
| 3 | 2 | | | 1134-4844-05 | Hjulnav kpl | Wheel hub assy | | | |
| 3A | 1 | | | 9501-0500-00 | • Smörjnippel | • Grease joint | | | |
| 4 | 1 | | | 1134-9026-01 | • Lagerbussning | • Bearing bush kit | | Sats 4 st/kit of 4 | |
| 5 | 2 | | | 1134-5255-01 | Fälg | Rim | | | |
| 6 | 2 | | | 9545-0126-01 | Däck | Tyre | | 16 x 6.00 - 8 | |
| 7 | 2 | | | 9545-0500-00 | Ventil | Valve | | | |
| 8 | 6 | | | 9747-1031-02 | Låsmutter | Lock nut | | | |
| 9 | 6 | | | 9699-0035-02 | Planbricka | Flat washer | | | |
| 10 | 8 | | | 1134-0341-01 | Bricka | Washer | | | |
| 11 | 2 | | | 9599-0080-02 | Saxsprint | Cotter pin | | | |
| 12 | 2 | | | 1134-4844-02 | Hjulnav | Wheel hub | | | |
| 13 | 2 | | | 1134-5255-01 | Fälg | Rim | | | |
| 14 | 2 | | | 9545-0126-01 | Däck | Tyre | | 16 x 6.00 - 8 | |
| 15 | 2 | | | 9545-0500-00 | Ventil | Valve | | | |
| 16 | 6 | | | 9747-1031-02 | Låsmutter | Lock nut | | | |
| 17 | 6 | | | 9699-0035-02 | Planbricka | Flat washer | | | |
| 18 | 2 | | | 1134-4796-01 | Navkapsel | Hub cap | | | |
| 19 | 2 | | | 9947-0540-19 | Skruv | Screw | | | |
| 20 | 2 | | | 1134-2471-01 | Kil | Key | | | |
| 21 | 2 | | | 9699-0042-02 | Planbricka | Flat washer | | | |
| 22 | 2 | | | 9653-0001-04 | Spårryttare | Lock ring | | | |
| 26 | 2 | | | 9699-0042-02 | Planbricka | Flat washer | | | |
| 99 | | | | 9545-0203-00 | Innerslang | Inner tube | | Reservdel/spare part | |



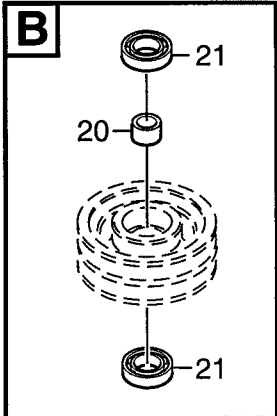
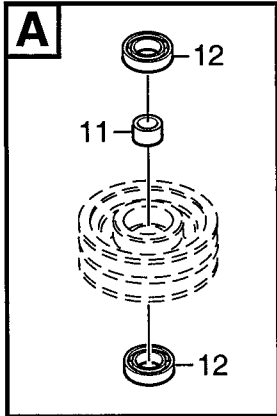
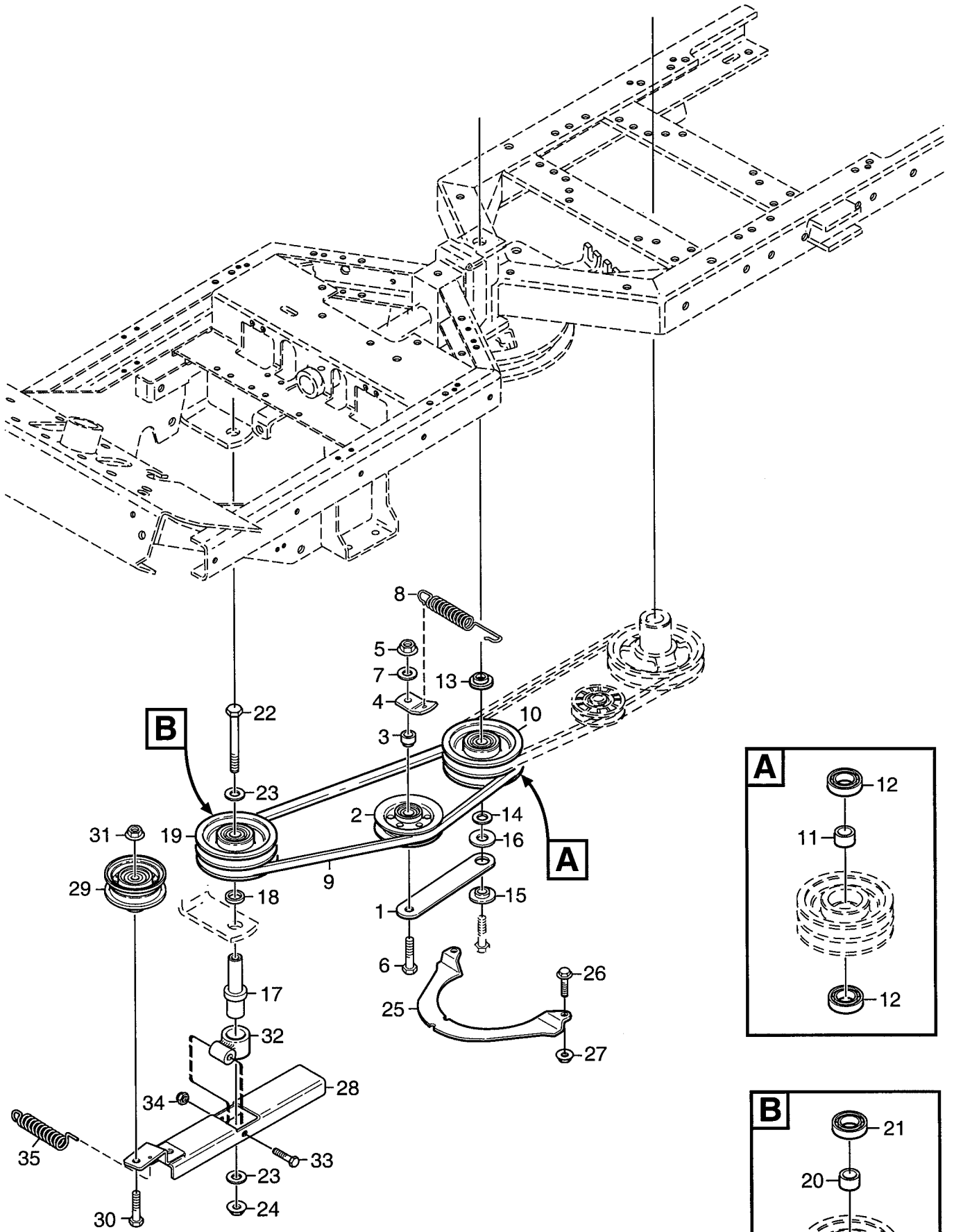
| Utgåva Issue 2006-11 | | Bildnr Picture No 2029 | | PARK COMPACT 4WD HJUL | | PARK COMPACT 4WD WHEELS | | Sida Page 40 | |
|----------------------------|----------------|------------------------------|--|--------------------------|-------------------|----------------------------|-------------|----------------------|--|
| Pos. Fig. | Antal/Quantity | | | Art nr Part No | Benämning | Description | Sats Kit | Anmärkning Notes | |
| | 6104 | | | | | | | | |
| 1 | 2 | | | 1134-4844-03 | Hjulnav | Wheel hub | | | |
| 2 | 2 | | | 1134-3383-02 | Kil | Key | | | |
| 3 | 2 | | | 1134-5255-01 | Fälg | Rim | | | |
| 4 | 2 | | | 9545-0126-01 | Däck | Tyre | | 16 x 6.00 - 8 | |
| 5 | 2 | | | 9545-0500-00 | Ventil | Valve | | | |
| 6 | 6 | | | 9747-1031-02 | Låsmutter | Lock nut | | | |
| 7 | 6 | | | 9699-0035-02 | Planbricka | Flat washer | | | |
| 9 | 4 | | | 1134-5797-01 | Bricka | Washer | | | |
| 10 | 2 | | | 9653-0002-04 | Spårryttare | Lock ring | | | |
| 21 | 2 | | | 1134-4844-02 | Hjulnav | Wheel hub | | | |
| 22 | 2 | | | 1134-2471-01 | Kil | Key | | | |
| 23 | 2 | | | 1134-5255-01 | Fälg | Rim | | | |
| 24 | 2 | | | 9545-0126-01 | Däck | Tyre | | 16 x 6.00 - 8 | |
| 25 | 2 | | | 9545-0500-00 | Ventil | Valve | | | |
| 26 | 6 | | | 9747-1031-02 | Låsmutter | Lock nut | | | |
| 27 | 6 | | | 9699-0035-02 | Planbricka | Flat washer | | | |
| 29 | 2 | | | 9699-0042-02 | Planbricka | Flat washer | | | |
| 30 | 2 | | | 9653-0001-04 | Spårryttare | Lock ring | | | |
| 31 | 2 | | | 1134-4796-01 | Navkapsel | Hub cap | | | |
| 32 | 2 | | | 9947-0540-19 | Skruv | Screw | | | |
| 99 | | | | 9545-0203-00 | Innerslang | Inner tube | | Reservdel/spare part | |



| Utgåva Issue | | Bildnr Picture No | | PARK COMPACT 2WD KRAFTUTTAG | | PARK COMPACT 2WD POWER TAKE-OFF | | Sida Page | |
|-----------------|----------------|----------------------|------|--------------------------------|---------------------------|------------------------------------|-------------|---------------------|--|
| 2006-11 | | 1030E | | | | | | 42 | |
| Pos. Fig. | Antal/Quantity | | | Art nr Part No | Benämning | Description | Sats Kit | Anmärkning Notes | |
| | 6101 | 6102 | 6103 | | | | | | |
| 1 | 1 | | | 1134-5548-01 | Distans | Spacer | | | |
| 2 | 1 | | | 1134-5109-01 | Spännhjulssarm | Tension wheel arm | | | |
| 3 | 1 | | | 1134-1770-01 | Spännrulle | Tension roller | | | |
| 4 | 1 | | | 1134-1888-04 | Distans | Spacer | | | |
| 5 | 1 | | | 1134-5111-01 | Fjäder | Spring | | | |
| 6 | 1 | | | 9699-0056-02 | Planbricka | Flat washer | | | |
| 7 | 1 | | | 9739-0831-22 | Mutter | Nut | | | |
| 8 | 1 | | | 9997-0855-12 | Skruv | Screw | | | |
| 10 | 1 | | | 1134-1769-03 | Centrumremskiva kpl. | Centre pulley assy | | | |
| 11 | 1 | | | 1134-0051-09 | • Distans | • Spacer | | | |
| 12 | 2 | | | 9549-0019-00 | • Kullager | • Ball bearing | | | |
| 13 | 1 | | | 1134-5112-01 | Fjäderfäste | Spring attachment | | | |
| 14 | 2 | | | 9945-0816-16 | Skruv | Screw | | | |
| 15 | 1 | | | 1134-5110-01 | Hake | Hook | | | |
| 16 | 2 | | | 9893-0616-16 | Skruv | Screw | | | |
| 18 | 1 | | | 1134-2018-02 | Spännarm | Tension arm | | | |
| 19 | 1 | | | 1134-9027-01 | Spännrulle | Tension roller | | | |
| 20 | 1 | | | 1134-9071-01 | Drivrem | V-belt | | | |
| 21 | 1 | | | 9997-1030-16 | Skruv | Screw | | = 9585-0129-01 | |
| 22 | 1 | | | 9799-1031-02 | Mutter | Nut | | | |
| 23 | 1 | | | 1134-4111-01 | Bromsarm | Brake arm | | | |
| 24 | 1 | | | 1134-4164-03 | Bromsklots | Brake pad | | | |
| 25 | 1 | | | 9897-0825-16 | Skruv | Screw | | | |
| 26 | 1 | | | 9747-0831-02 | Mutter | Lock nut | | | |
| 27 | 1 | | | 1134-4162-01 | Bromsstång | Brake rod | | | |
| 28 | 1 | | | 9675-0008-02 | Starlock | Locking washer | | | |
| 29 | 1 | | | 1134-4170-01 | Nippel | Nipple | | | |
| 30 | 1 | | | 9699-0025-02 | Planbricka | Washer | | | |
| 31 | 1 | | | 9747-0631-02 | Låsmutter | Lock nut | | | |
| 32 | 1 | | | 4231-0013-00 | Fjäder | Spring | | | |
| 33 | 1 | | | 1134-4231-01 | Dragfjäder | Spring | | | |
| 34 | 1 | | | 1134-1565-10 | Distans | Spacer | | | |
| 35 | 1 | | | 9997-0865-12 | Skruv | Screw | | | |
| 36 | 1 | | | 9699-0056-02 | Planbricka | Flat washer | | | |
| 37 | 1 | | | 9739-0831-22 | Mutter | Nut | | | |
| 38 | 1 | | | 1134-4163-01 | Ansatsskruv | Shoulder bolt | | | |
| 39 | 1 | | | 9747-1031-02 | Låsmutter | Lock nut | | | |
| 40 | 1 | | | 1134-3958-01 | Remstyrning | Belt guide | | | |
| 41 | 2 | | | 9893-0616-16 | Skruv | Screw | | | |
| 42 | 1 | | | 1134-0041-03 | Hylsa | Collar | | | |
| 43 | 1 | | | 9997-1070-12 | Skruv | Screw | | | |
| 44 | 1 | | | 9739-1031-22 | Mutter | Nut | | | |
| 45 | 1 | | | 1134-3654-01 | Fingerskydd | Finger guard | | | |
| 46 | 2 | | | 9959-0612-16 | Skruv | Screw | | | |
| 47 | 2 | | | 9739-0631-22 | Mutter | Nut | | | |
| 48 | 1 | | | 9699-0090-02 | Planbricka | Flat washer | | | |
| 49 | 2 | | | 9699-0035-02 | Planbricka | Flat washer | | | |
| 50 | 1 | | | 9699-0035-02 | Planbricka | Flat washer | | | |



| Utgåva Issue | | Bildnr Picture No | | PARK COMPACT 4WD KRAFTUTTAG 1 | | PARK COMPACT 4WD POWER TAKE-OFF 1 | | Sida Page | |
|-----------------|----------------|----------------------|--|----------------------------------|--------------------|--------------------------------------|-------------|---------------------|--|
| 2006-11 | | 2030 | | | | | | 44 | |
| Pos. Fig. | Antal/Quantity | | | Art nr Part No | Benämning | Description | Sats Kit | Anmärkning Notes | |
| | 6104 | | | | | | | | |
| 1 | 1 | | | 1134-2018-02 | Spännarm | Tension arm | | = 9585-0129-01 | |
| 2 | 1 | | | 1134-9027-01 | Spännrulle | Tension roller | | | |
| 3 | 1 | | | 1134-9071-01 | Drivrem | V-belt | | | |
| 4 | 1 | | | 9997-1030-16 | Skruv | Screw | | | |
| 5 | 1 | | | 9799-1031-02 | Mutter | Nut | | | |
| 6 | 1 | | | 1134-4162-01 | Bromsstång | Brake rod | | | |
| 7 | 1 | | | 9675-0008-02 | Starlock | Locking washer | | | |
| 8 | 1 | | | 1134-4170-01 | Nippel | Nipple | | | |
| 9 | 1 | | | 1134-4111-01 | Bromsarm | Brake arm | | | |
| 10 | 1 | | | 1134-4164-03 | Bromsklots | Brake pad | | | |
| 11 | 2 | | | 9699-0035-02 | Planbricka | Flat washer | | | |
| 12 | 1 | | | 9897-0825-16 | Skruv | Screw | | | |
| 13 | 1 | | | 9747-0831-02 | Mutter | Lock nut | | | |
| 14 | 1 | | | 9699-0090-02 | Planbricka | Flat washer | | | |
| 15 | 1 | | | 9699-0025-02 | Planbricka | Washer | | | |
| 16 | 1 | | | 9747-0631-02 | Låsmutter | Lock nut | | | |
| 17 | 1 | | | 4231-0013-00 | Fjäder | Spring | | | |
| 18 | 1 | | | 1134-4231-01 | Dragfjäder | Spring | | | |
| 19 | 1 | | | 1134-1565-10 | Distans | Spacer | | | |
| 20 | 1 | | | 9997-0865-12 | Skruv | Screw | | | |
| 21 | 1 | | | 9699-0056-02 | Planbricka | Flat washer | | | |
| 22 | 1 | | | 9739-0831-22 | Mutter | Nut | | | |
| 23 | 1 | | | 1134-4163-01 | Ansattsskruv | Shoulder bolt | | | |
| 24 | 1 | | | 9699-0035-02 | Planbricka | Flat washer | | | |
| 25 | 1 | | | 9739-1031-22 | Mutter | Nut | | | |
| 26 | 1 | | | 1134-3958-01 | Remstyrning | Belt guide | | | |
| 27 | 2 | | | 9893-0616-16 | Skruv | Screw | | | |
| 28 | 1 | | | 1134-0041-03 | Hylsa | Collar | | | |
| 29 | 1 | | | 9997-1070-12 | Skruv | Screw | | | |
| 30 | 1 | | | 9739-1031-22 | Mutter | Nut | | | |



| Utgåva Issue 2006-11 | | Bildnr Picture No 2031 | | PARK COMPACT 4WD KRAFTUTTAG 2 | | PARK COMPACT 4WD POWER TAKE-OFF 2 | | Sida Page 46 | |
|----------------------------|----------------|------------------------------|--|----------------------------------|---------------------------|--------------------------------------|-------------|---------------------|--|
| Pos. Fig. | Antal/Quantity | | | Art nr Part No | Benämning | Description | Sats Kit | Anmärkning Notes | |
| | 6104 | | | | | | | | |
| 1 | 1 | | | 1134-1730-01 | Spännhjulssarm | Tension wheel arm | | = 9585-0148-01 | |
| 2 | 1 | | | 1134-3663-01 | Spännrulle | Tension wheel | | | |
| 3 | 1 | | | 1134-1888-05 | Distans | Spacer | | | |
| 4 | 1 | | | 1134-1893-01 | Fjäderfäste | Spring attachment | | | |
| 5 | 1 | | | 9739-1031-22 | Mutter | Nut | | | |
| 6 | 1 | | | 9997-1060-12 | Skruv | Screw | | | |
| 7 | 1 | | | 9699-0035-02 | Planbricka | Flat washer | | | |
| 8 | 1 | | | 1134-5713-01 | Dragfjäder | Spring | | | |
| 9 | 1 | | | 1134-9098-01 | Drivrem | V-belt | | | |
| 10 | 1 | | | 1134-1769-03 | Centrumremskiva kpl. | Centre pulley assy | | | |
| 11 | 1 | | | 1134-0051-09 | • Distans | • Spacer | | | |
| 12 | 2 | | | 9549-0019-00 | • Kullager | • Ball bearing | | | |
| 13 | 1 | | | 1134-5548-01 | Distans | Spacer | | | |
| 14 | 1 | | | 9699-0035-02 | Planbricka | Flat washer | | | |
| 15 | 1 | | | 1134-0222-00 | Bricka | Washer | | | |
| 16 | 1 | | | 9699-0109-02 | Planbricka | Flat washer | | | |
| 17 | 1 | | | 1134-5663-01 | Axel | Shaft | | | |
| 18 | 1 | | | 1134-0052-00 | Lagerdistans | Bearing spacer | | | |
| 19 | 1 | | | 1134-1769-03 | Centrumremskiva kpl. | Centre pulley assy | | | |
| 20 | 1 | | | 1134-0051-09 | • Distans | • Spacer | | | |
| 21 | 2 | | | 9549-0019-00 | • Kullager | • Ball bearing | | | |
| 22 | 1 | | | 9997-1011-06 | Skruv | Screw | | | |
| 23 | 2 | | | 9699-0030-02 | Planbricka | Flat washer | | | |
| 24 | 1 | | | 9739-1031-22 | Mutter | Nut | | | |
| 25 | 1 | | | 1134-3654-01 | Fingerskydd | Finger guard | | | |
| 26 | 2 | | | 9959-0612-16 | Skruv | Screw | | | |
| 27 | 2 | | | 9739-0631-22 | Mutter | Nut | | | |
| 28 | 1 | | | 1134-5660-01 | Spännarm | Tension arm | | | |
| 29 | 1 | | | 1134-5823-01 | Spännrulle | Tension roller | | | |
| 30 | 1 | | | 9997-1050-16 | Skruv | Screw | | | |
| 31 | 1 | | | 9739-1031-22 | Mutter | Nut | | | |
| 32 | 1 | | | 1134-5232-01 | Spännarmsfäste | Attachment | | | |
| 33 | 1 | | | 9997-0645-12 | Skruv | Screw | | | |
| 34 | 1 | | | 9747-0631-02 | Låsmutter | Lock nut | | | |
| 35 | 1 | | | 1134-5824-01 | Fjäder | Spring | | | |