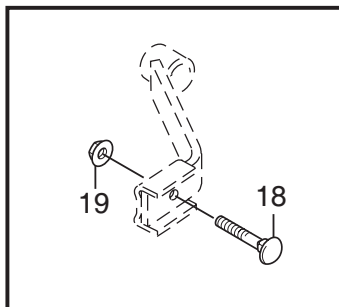
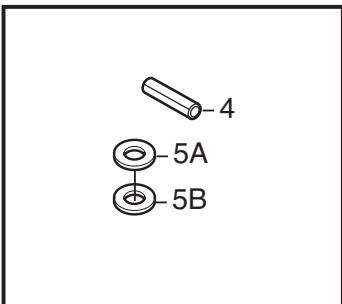
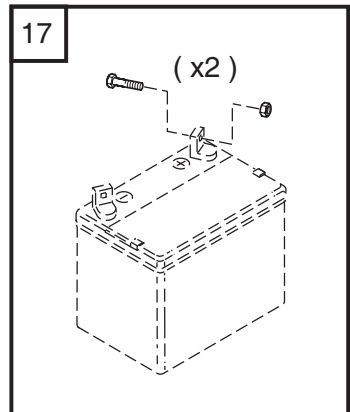
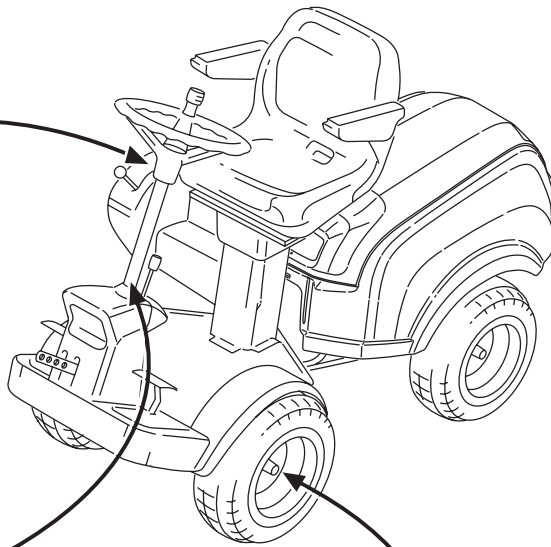
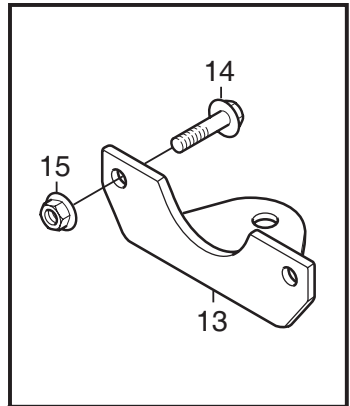
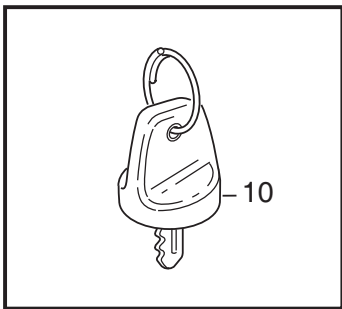
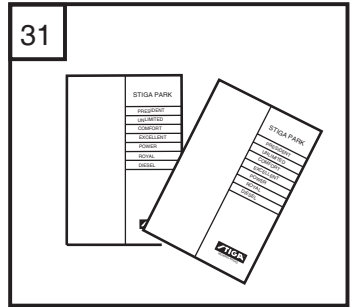
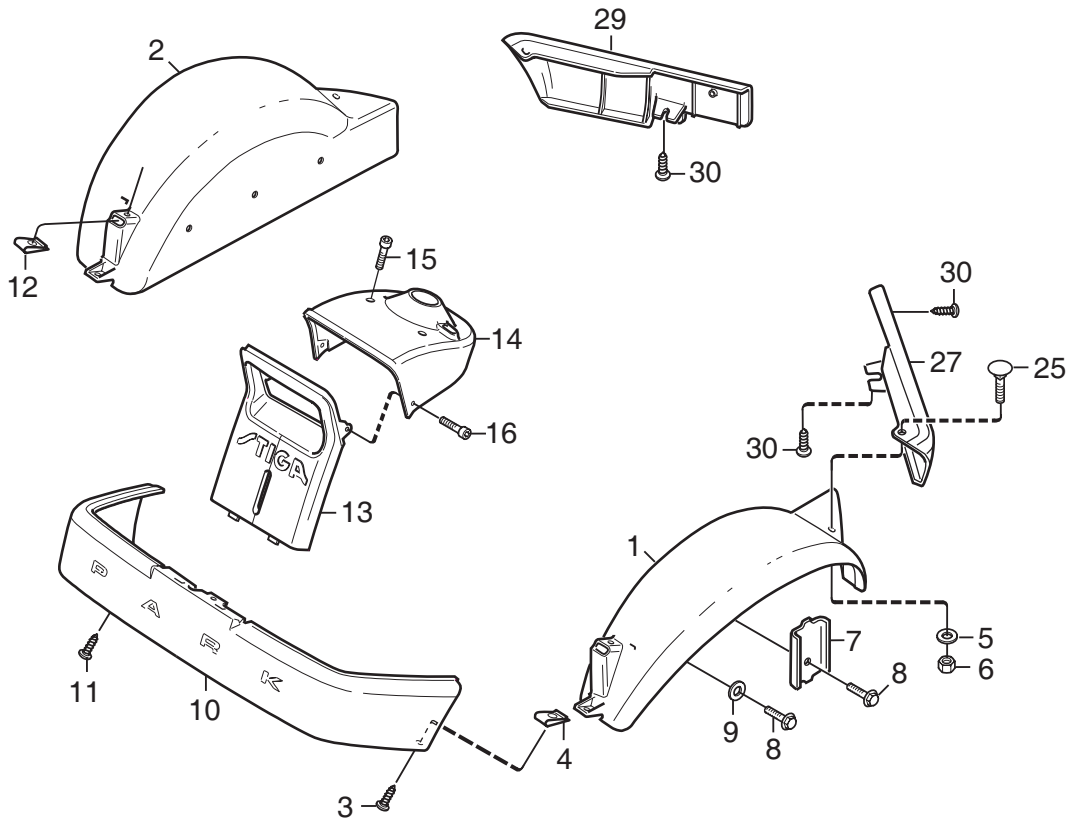
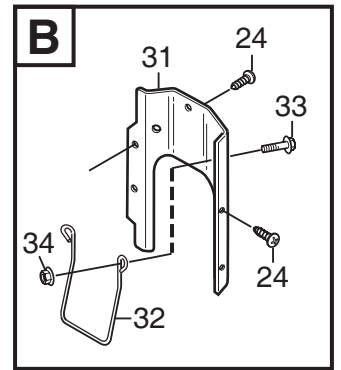
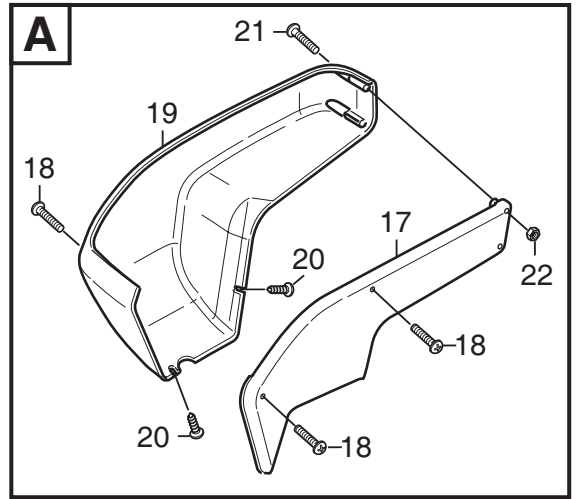
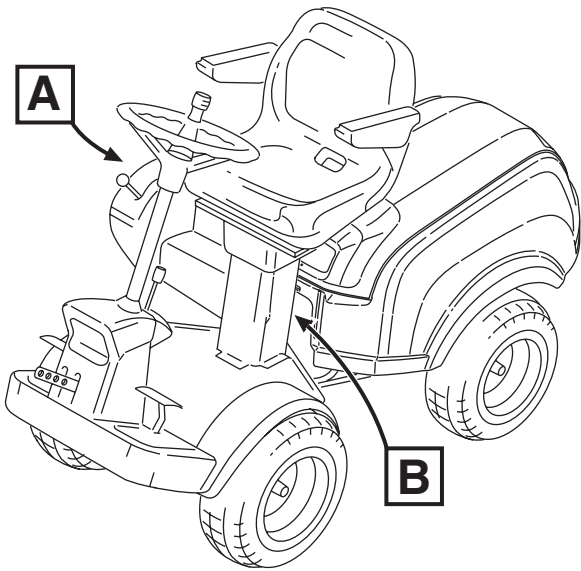


Genuine Spare Parts

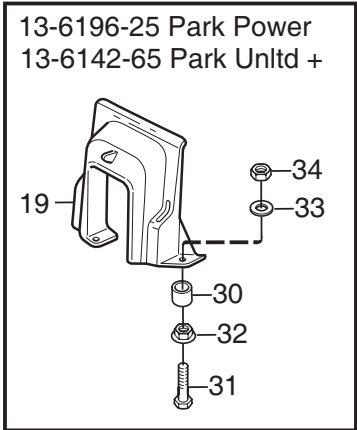
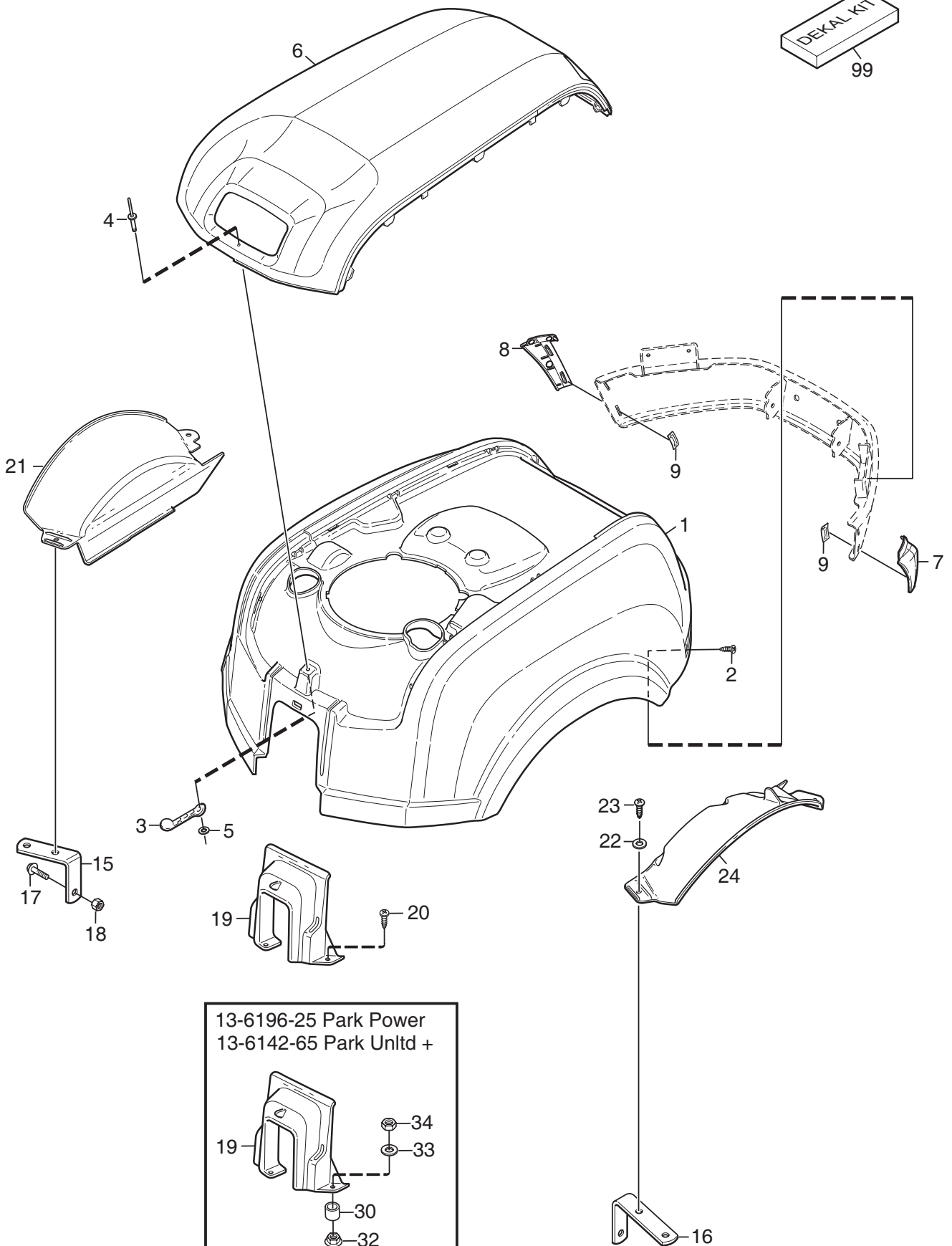
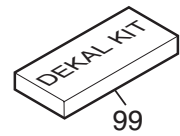




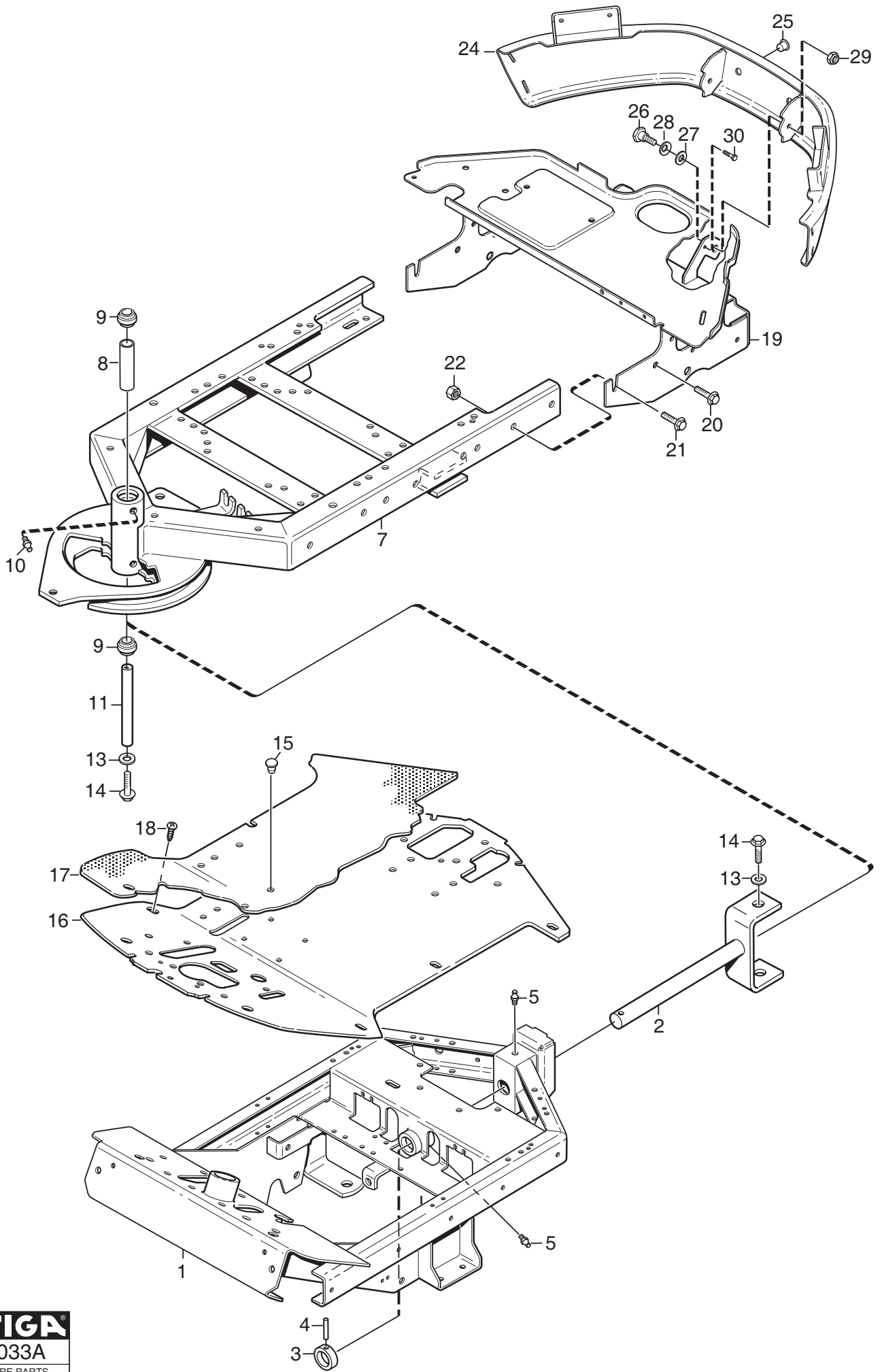
Utgåva Issue		Bildnr Picture No		PARK 4WD MONTERINGSDETALJER		PARK 4WD ASSEMBLY PARTS		Sida Page	
2009- 11		2014B						110	
Pos. Fig.	Antal/Quantity				Art nr Part No	Benämning	Description	Sats Kit	Anmärkning Notes
	6178 6185	6199	6196						
4	1	1	1		9595-0262-00	Spännstift	Locating pin		
5A	1	1	1		9699-0103-02	Shims	Flat washer		0.5 mm
5B	1	1	1		9699-0114-02	Shims	Flat washer		1.0 mm
10	2	2	2		1134-4734-01	Tändningsnyckel	Ignition key		
13	1	1	1		1134-5512-01	Dragplåt	Towing plate		
14	2	2	2		9959-0820-16	Skruv	Screw		
15	2	2	2		9739-0831-22	Mutter	Nut		
17	1	1	1		1134-6113-02	Batteriskruvar	Battery screws		
18	2	2	2		9898-1035-16	Skruv	Screw		
19	2	2	2		9739-1031-22	Mutter	Nut		
31	1				8211-0003-92	Bruksanvisning	Owner's manual		
31			1		8211-0039-90	Bruksanvisning	Owner's manual		
31		1			8211-0043-90	Bruksanvisning	Owner's manual		
31	1				8211-0604-90	Monteringsanvisning	Assy instructions		
31	1				8211-0701-91	Säkerhetsföreskrifter	Safety regulations		
31	1				8211-0901-90	Servicebok	Service book		
31	1				8211-0960-90	Garantikort	Warranty card		



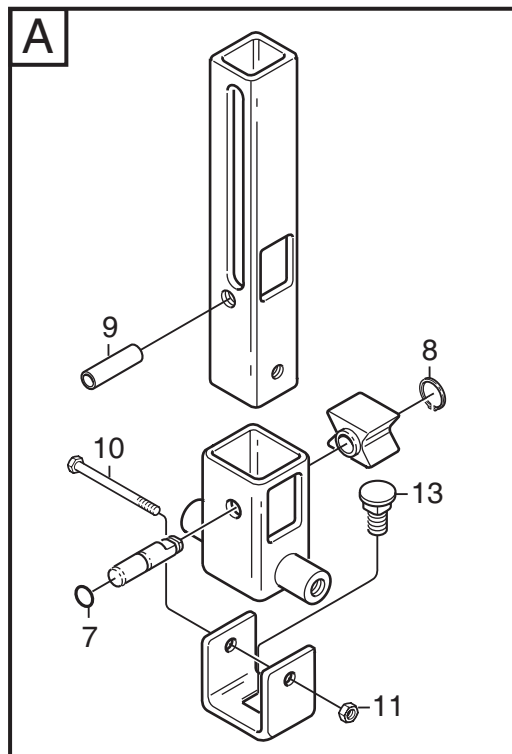
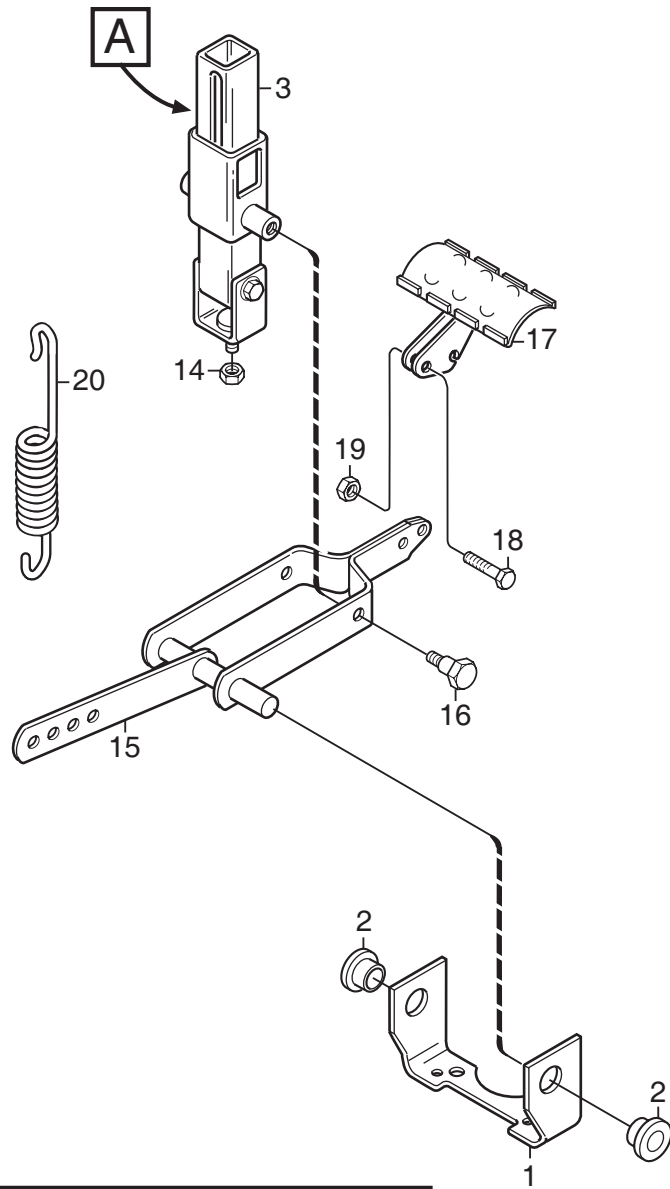
Utgåva Issue		Bildnr Picture No		PARK 4WD KAROSS-FRAM		PARK 4WD BODY WORK- FRONT		Sida Page	
2009- 11		2015C						112	
Pos. Fig.	Antal/Quantity				Art nr Part No	Benämning	Description	Sats Kit	Anmärkning Notes
	6178	6185	6196	6199					
1	1				1134-3943-01	Skärm- vä, gul	Mud guard- LH, yell.....		
2	1				1134-3943-02	Skärm- hö, gul	Mud guard- RH, yell.		
3	2				9893-0616-16	Skruv	Screw		
4	4				1134-4176-01	Clips	Clips		
5	2				9699-0060-02	Planbricka.....	Flat washer.....		
6	2				9747-0631-02	Låsmutter	Lock nut		
7	2				1134-0225-00	Stödplåt	Support plate		
8	6				9945-0816-16	Skruv	Screw		
9	4				9699-0056-02	Planbricka.....	Flat washer.....		
10	1				1134-4220-02	Stötfångare- grå.....	Bumper- grey		
11	6				9893-0616-16	Skruv	Screw		
12	2				1134-4176-01	Clips	Clips		
13	1				1134-4216-05	Frontdekor- gul	Front plate- yellow.....		
14	1				1134-3984-03	Frontdekor övre- gul	Front plate upper- yel		
15	2				9946-0525-16	Skruv	Screw		
16	2				9840-8013-16	Skruv	Screw		
17	1				1134-4360-01	Kåpa- inre	Cover- inner		
18	3				9946-0525-16	Skruv	Screw		
19	1				1134-3979-01	Kåpa- yttre	Cover- outer		
20	2				9840-8013-16	Skruv	Screw		
21	2				9950-0570-12	Skruv	Screw		
22	2				9747-0531-02	Mutter	Nut		
24	4				9893-0616-16	Skruv	Screw		
25	2				9897-0616-16	Vagnsbult	Carriage bolt		
27	1				1134-3970-05	Kantlist- vä, grå.....	Moulding- LH, grey		
29	1				1134-3970-02	Kantlist- hö, grå	Moulding- RH, grey		
30	4				9893-0616-16	Skruv	Screw		
31	1				1134-6461-01	Bakstycke	Rear plate.....		
32	1				1134-6460-01	Skyddsbygel	Protective loop		
33	2				9959-0820-16	Skruv	Screw		
34	2				9739-0831-22	Mutter.....	Nut		



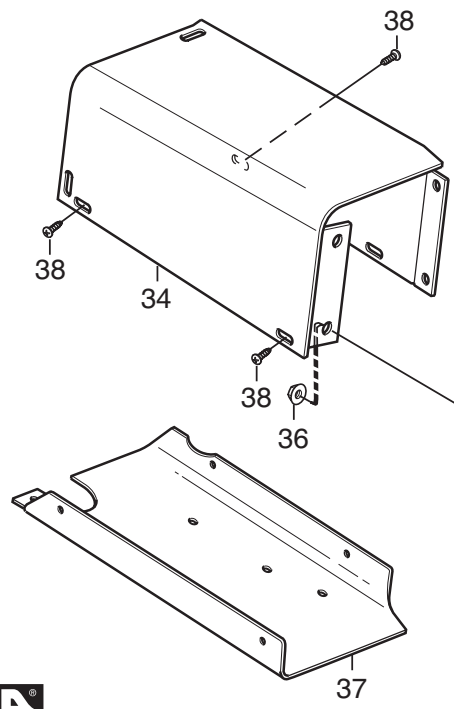
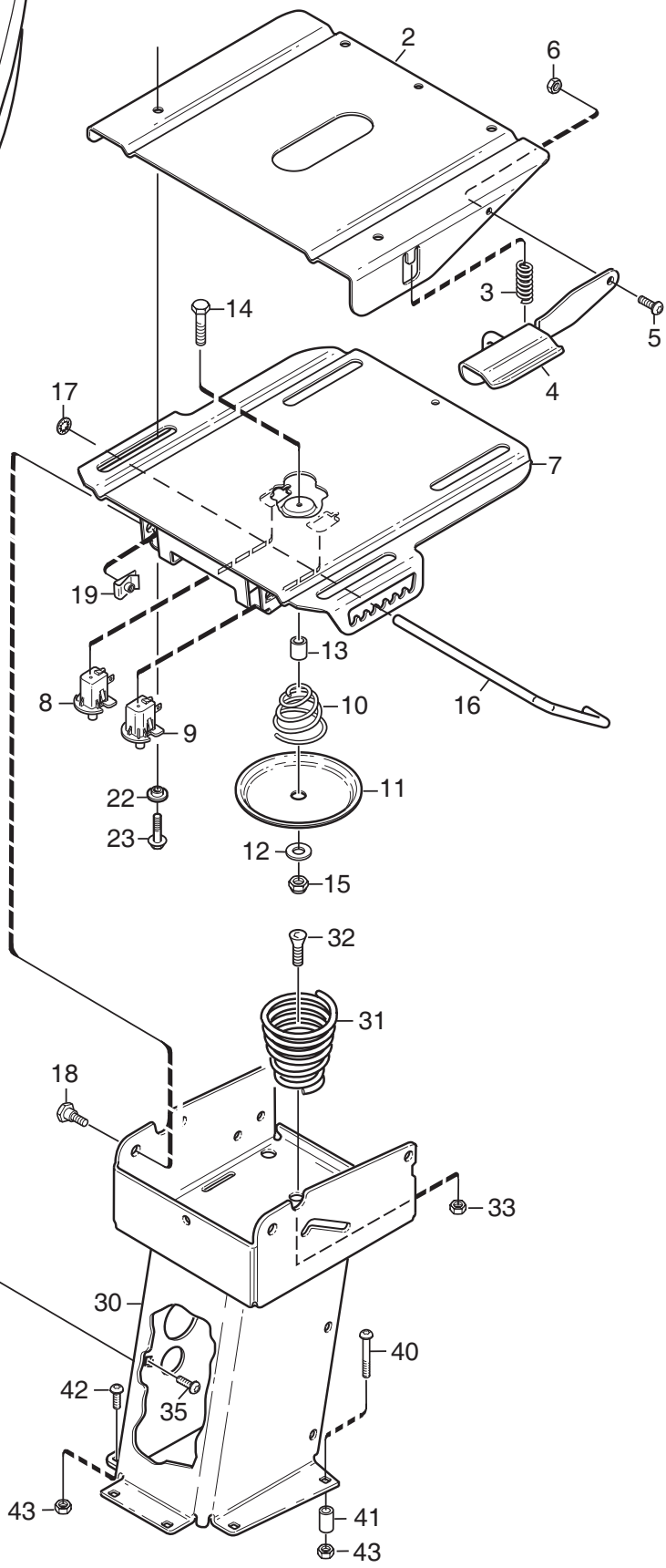
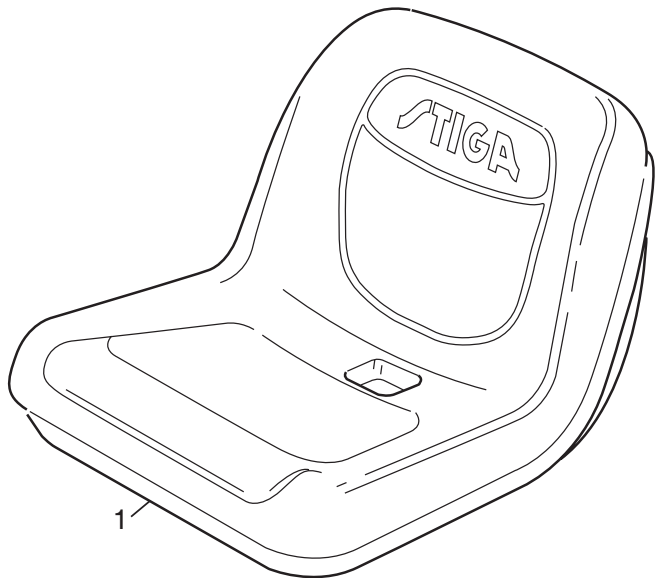
Utgåva Issue 2009- 11		Bildnr Picture No 2016C		PARK 4WD KAROSS- BAK		PARK 4WD BODY WORK- REAR		Sida Page 114	
Pos. Fig.	Antal/Quantity				Art nr Part No	Benämning	Description	Sats Kit	Anmärkning Notes
	6185	6178	6199	6196					
1	1	1	1		1134- 6025- 01	Motorhuv.....	Engine hood		
1				1	1137- 0024- 01	Motorhuv.....	Engine hood		
2	4	4	4	4	9893- 0616- 16	Skruv	Screw		
3	1	1	1	1	1134- 9028- 01	Gummistropp- sats.....	Rubber strap kit		Sats 3 st/kit of 3
4	1	1	1	1	9632- 0513- 00	Popnit	Pop rivet		
5	1	1	1	1	9699- 0120- 02	Bricka	Washer		
6	1	1	1	1	1134- 6026- 01	Motorlucka	Engine cover		
7	1	1	1	1	1134- 6027- 01	Ändavslut- vä.....	Bumper end- LH		
8	1	1	1	1	1134- 6027- 02	Ändavslut- hö.....	Bumper end- RH		
9	4	4	4	4	1134- 6310- 01	Clips	Clips		
15			1	1	1134- 4012- 03	Stödkonsol- hö	Support- RH		
16			1	1	1134- 4012- 04	Stödkonsol- vä.....	Support- LH		
17			1	1	9959- 0820- 16	Skruv	Screw		
18			1	1	9739- 0831- 22	Mutter.....	Nut		
19	1	1	1	1	1134- 6241- 01	Huvstöd	Hood support.....		
20	3	3	3		9893- 0616- 16	Skruv	Screw		
21			1	1	1134- 4800- 01	Innerskärm- hö	Inner mud guard- RH		
22			4	4	9699- 0060- 02	Planbricka.....	Flat washer.....		
23			4	4	9893- 0616- 16	Skruv	Screw		
24			1	1	1134- 4801- 01	Innerskärm- vä.....	Inner mud guard- LH.....		
30				3	1137- 0020- 01	Distans	Spacer		
31				3	9997- 0535- 16	Skruv	Screw		
32				3	9739- 0531- 22	Mutter.....	Nut		
33				3	9699- 0099- 02	Bricka	Washer		
34				3	9747- 0531- 02	Mutter.....	Nut		
99	1				1134- 6443- 07	Dekalsats	Decal kit		Prestige
99		1	1		1134- 6443- 08	Dekalsats	Decal kit		Residence



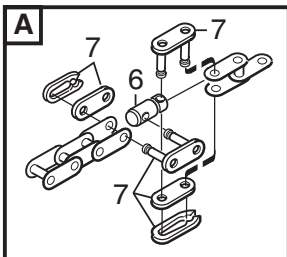
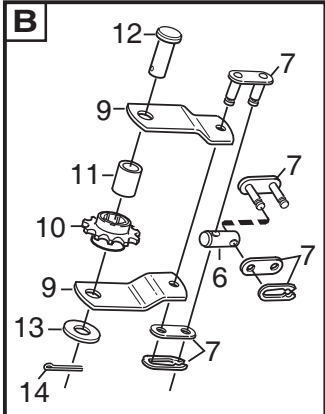
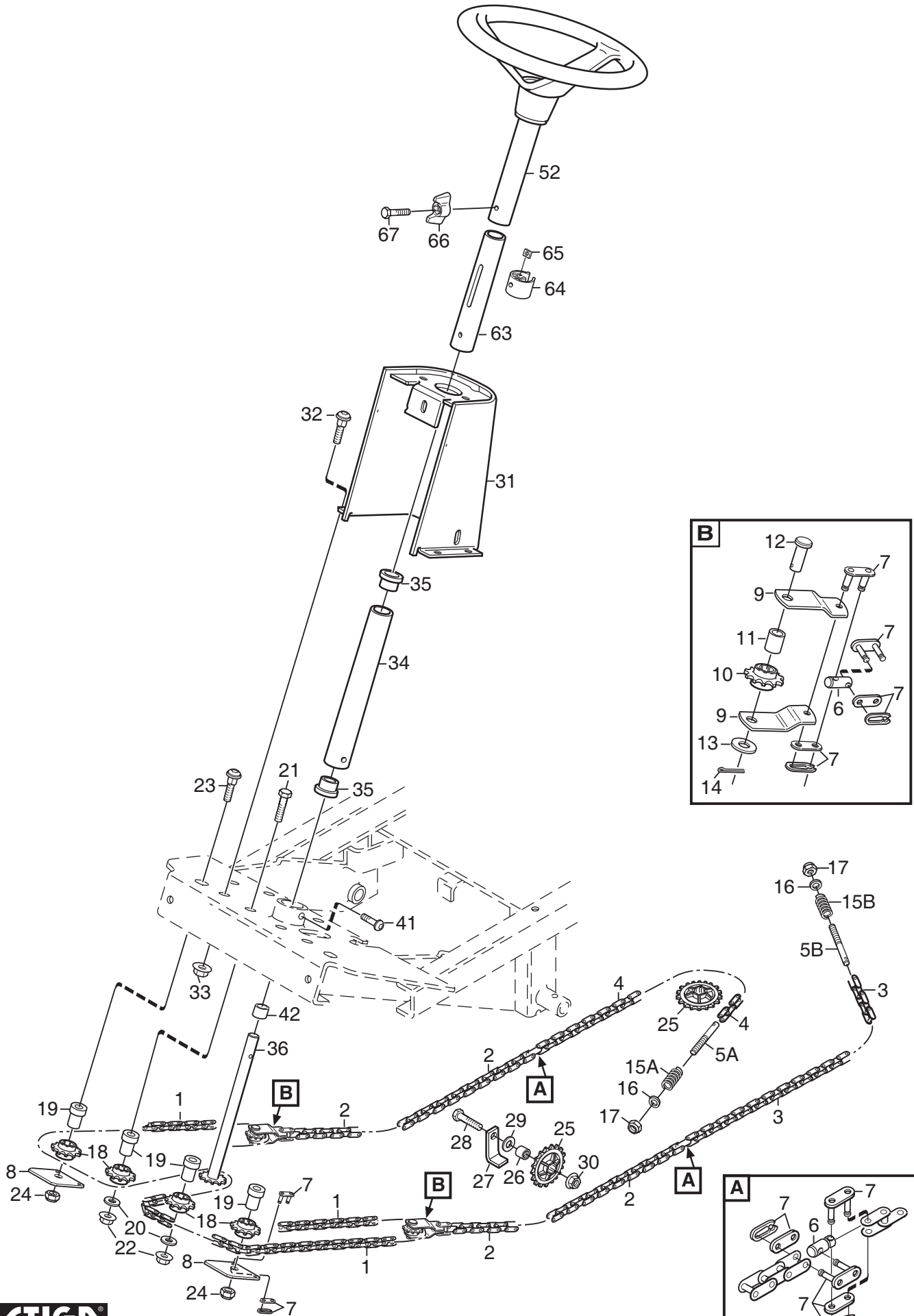
Utgåva Issue		Bildnr Picture No		PARK 4WD RAM		PARK 4WD FRAME		Sida Page	
2009- 11		2033A						116	
Pos. Fig.	Antal/Quantity				Art nr Part No	Benämning	Description	Sats Kit	Anmärkning Notes
	6178	6185	6196	6199					
1	1				1134-5656-02	Ram- främre	Frame- front		
2	1				1134-3963-02	• Midjegaffel	• Clevis		
3	1				1134-0031-00	• Ledaxelstopp	• Pivot shaft stop		
4	1				9595-0262-00	• Spännstift	• Locating pin		
5	2				9501-0500-00	• Smörjnippel	• Grease joint		
7	1				1134-6466-01	Ram- bakre	Frame- rear		
8	1				1134-5705-01	• Distans	• Spacer		
9	2				9547-0001-00	• Ledlager	• Bearing		
10	2				9501-0500-00	• Smörjnippel	• Grease joint		
11	1				1134-5988-01	Centrumaxel	Centre shaft		
13	2				9699-0035-02	Planbricka	Flat washer		
14	2				9959-1025-16	Skruv	Screw		
15	2				9403-0048-70	Täckpropp	Plug		
16	1				1134-6586-01	Durk	Floor plate		
17	1				1134-6372-04	Durkmatta	Floor mat		
18	2				9893-0616-16	Skruv	Screw		
19	1				1134-5944-01	Tankhylla	Tank shelf		
20	2				9945-0816-16	Skruv	Screw		
21	2				9959-0820-16	Skruv	Screw		
22	2				9739-0831-22	Mutter	Nut		
24	1				1134-5676-01	Stötfångare	Bumper		
25	2				1134-4100-01	Täckpropp	Plug		
26	2				1134-0240-00	Ansatsskruv	Shoulder screw		
27	2				1134-4242-01	Distansbricka	Spacer washer		
28	2				9665-0002-00	Brickfjäder	Bowed washer		
29	2				9747-0831-02	Mutter	Lock nut		
30	2				9943-0516-16	Skruv	Screw		



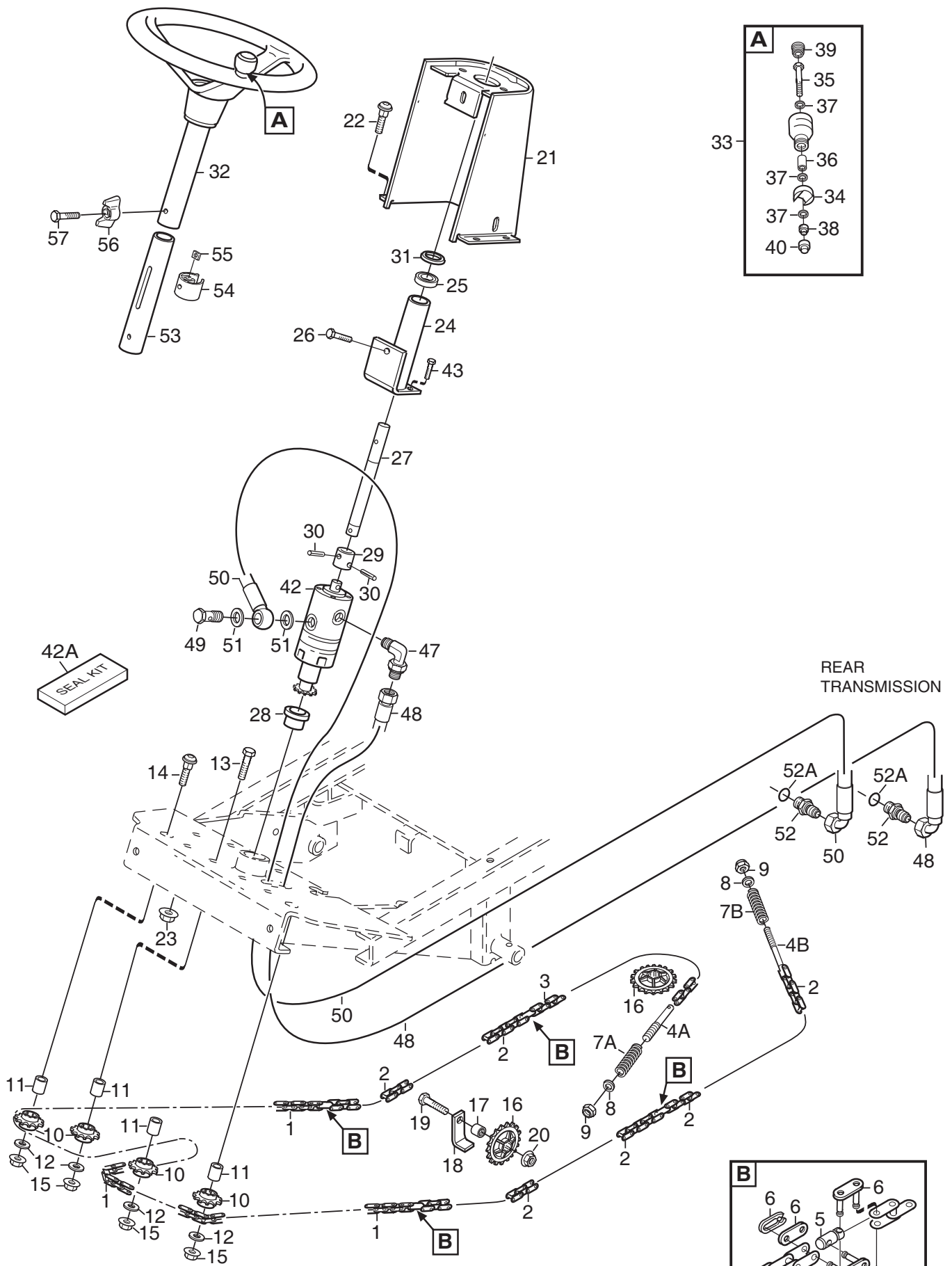
Utgåva Issue		Bildnr Picture No		PARK 4WD PEDALLYFT		PARK 4WD PEDAL LIFT		Sida Page	
2009- 11		1023D						118	
Pos. Fig.	Antal/Quantity				Art nr Part No	Benämning	Description	Sats Kit	Anmärkning Notes
	6178	6185	6196	6199					
1	1				1134-4117-01 Fäste	Bracket			
2	2				1134-2684-01 Lager	Bearing			
3	1				1134-4945-01 Lyftspärr kpl	Lift catch assy			
7	1				9404-0027-01 • O-ring	• O-ring			
8	1				9650-0039-04 • Seegersäkring	• Lock ring			
9	1				9595-0276-01 • Spännstift	• Locating pin			
10	1				9997-0640-12 • Skruv	• Screw			
11	1				9747-0631-02 • Låsmutter	• Lock nut			
13	1				9897-0820-16 • Skruv	• Screw			
14	1				9747-0831-02 Mutter	Lock nut			
15	1				1134-4860-01 Lyftgaffel	Lift fork			
16	2				1134-0240-00 Ansatsskruv	Shoulder screw			
17	1				1134-4938-01 Lyftpedal	Lift pedal			
18	2				9997-0625-16 Skruv	Screw			
19	2				9739-0631-22 Mutter	Nut			
20	1				4231-0013-00 Fjäder	Spring			



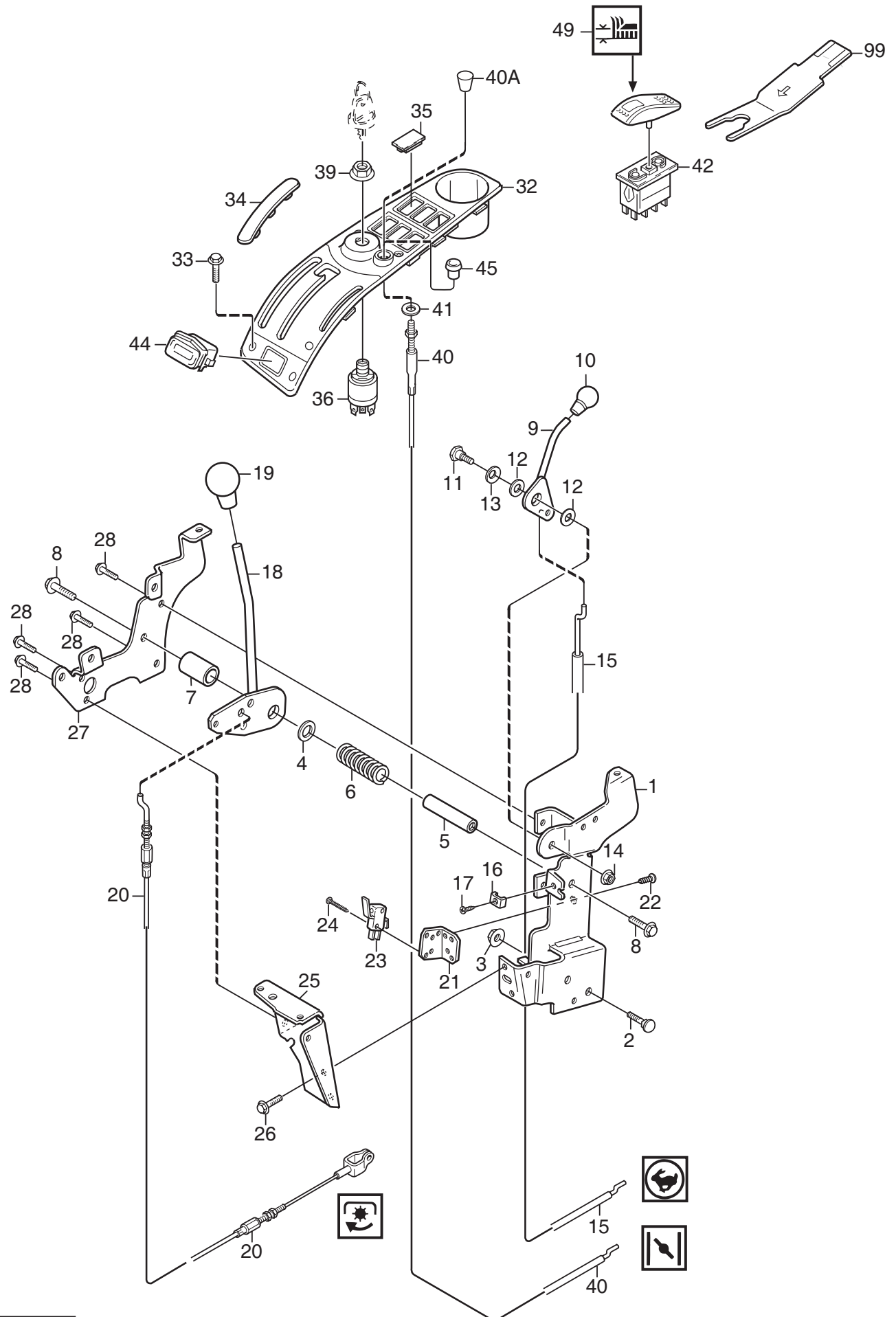
Utgåva Issue		Bildnr Picture No		PARK 4WD SITS		PARK 4WD SEAT		Sida Page	
2009- 11		2019A						120	
Pos. Fig.	Antal/Quantity				Art nr Part No	Benämning	Description	Sats Kit	Anmärkning Notes
	6178	6185	6196	6199					
1	1				1134-6444-01	Sits	Seat		
2	1				1134-6090-01	Glidplatta	Slide plate		
3	1				1134-3262-01	Tryckfjäder	Compression spring		
4	1				1134-6073-01	Handtag	Handle		
5	1				9893-0616-16	Skruv	Screw		
6	1				9747-0631-02	Låsmutter	Lock nut		
7	1				1134-6068-01	Glidplatta- undre	Slide plate-lower		
8	1				1134-3156-01	Brytare (svart)	Switch (black)		
9	1				1134-3156-02	Brytare (grå)	Switch (grey)		
10	1				1134-5302-01	Fjäder	Spring		
11	1				1134-5299-01	Tryckplatta	Push plate		
12	1				9699-0090-02	Planbricka	Flat washer		
13	1				1134-1565-06	Distans	Spacer		
14	1				9997-0840-16	Skruv	Screw		
15	1				9747-0831-02	Mutter	Lock nut		
16	1				1134-5179-01	Spärr	Catch		
17	1				9675-0012-02	Starlock	Locking washer		
18	2				1134-0240-00	Ansatsskruv	Shoulder screw		
19	2				1134-4620-02	Fjädermutter	Spring nut		
22	4				1134-6078-01	Ansatsbricka	Flange washer		
23	4				9959-0820-16	Skruv	Screw		
30	1				1134-5698-01	Sitskonsol	Seat bracket		
31	1				1134-4256-01	Sitsfjäder	Seat spring		
32	1				9924-1235-19	Skruv	Screw		
33	1				9747-1231-02	Låsmutter	Lock nut		
34	1				1134-3990-01	Armsvep	Attachment-side panel		
35	2				9897-0820-16	Skruv	Screw		
36	2				9739-0831-22	Mutter	Nut		
37	1				1134-4130-01	Lock- undre	Cover-lower		
38	4				9840-8013-16	Skruv	Screw		
40	2				9897-0880-12	Skruv	Screw		
41	2				1134-1565-08	Distans	Spacer		
42	4				9897-0820-16	Skruv	Screw		
43	6				9747-0831-02	Mutter	Lock nut		



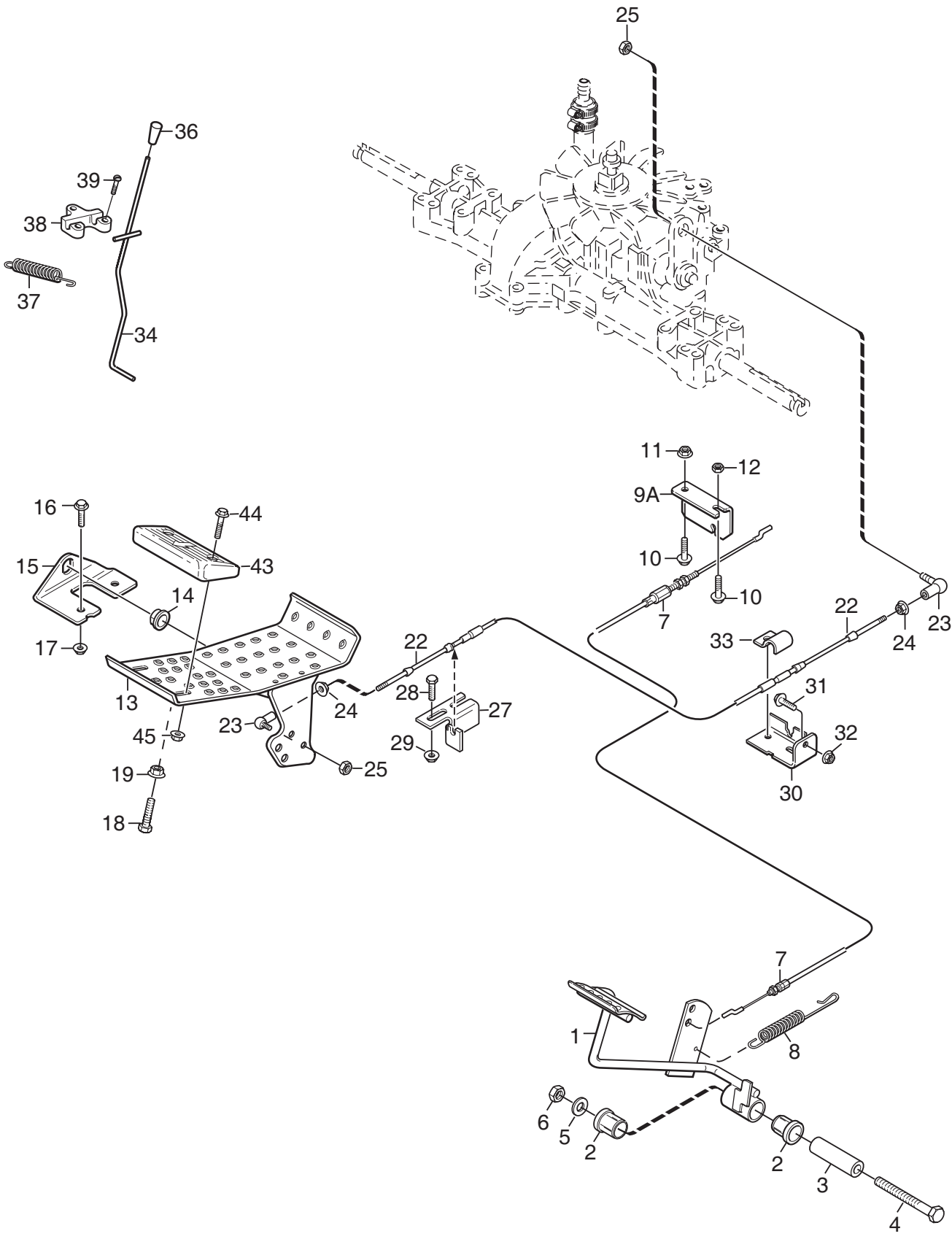
Utgåva Issue 2009- 11		Bildnr Picture No 1787B		PARK 4WD PRESTIGE- POWER STYRNING		PARK 4WD PRESTIGE- POWER STEERING		Sida Page 122	
Pos. Fig.	Antal/Quantity				Art nr Part No	Benämning	Description	Sats Kit	Anmärkning Notes
	6185								
1	1				1134-6374-10	Kedja	Chain		129 länk
2	2				1134-6374-09	Kedja	Chain		35 länk
3	1				1134-6374-02	Kedja	Chain		41 länk
4	1				1134-6374-05	Kedja	Chain		47 länk
5A	1				1134-3550-01	Ändnippel	End nipple		L = 110 mm
5B	1				1134-3550-02	Ändnippel	End nipple		L = 90 mm
6	4				1134-3565-01	Skarvnippel	Connection nipple		
7	12				1134-2824-02	Kedjelås	Chain lock		
8	2				1134-5652-01	Fäste	Attachment		
9	4				1134-5651-01	Bygel	Bracket		
10	2				1134-2816-01	Kedjehjul	Sprocket		
11	2				1134-0041-02	Linhjulshylsa	Idler wheel bush		
12	2				1134-4817-01	Kolvstångssprint	Pin		
13	2				9699-0035-02	Planbricka	Flat washer		
14	2				9599-0054-02	Saxpinne	Cotter pin		
15A	1				1134-3817-01	Tryckfjäder	Compression spring		L = 58 mm
15B	1				1134-3817-02	Tryckfjäder	Compression spring		L = 33 mm
16	2				9699-0090-02	Planbricka	Flat washer		
17	2				9747-0831-02	Mutter	Lock nut		
18	4				1134-2816-01	Kedjehjul	Sprocket		
19	4				1134-5653-01	Distans	Spacer		
20	2				9699-0035-02	Planbricka	Flat washer		
21	2				9997-1060-12	Skruv	Screw		
22	2				9739-1031-22	Mutter	Nut		
23	2				9897-1060-12	Skruv	Screw		
24	2				9731-1031-22	Mutter	Nut		
25	3				1134-3547-01	Kedjehjul	Sprocket		
26	2				1134-0041-01	Linhjulshylsa	Bushing		
27	2				1134-0046-00	Linhållare	Wire clamp		
28	2				9997-1040-16	Skruv	Screw		
29	2				9699-0035-02	Planbricka	Flat washer		
30	2				9739-1031-22	Mutter	Nut		
31	1				1134-4120-04	Styrkonsol	Steering console		
32	4				9897-0820-16	Skruv	Screw		
33	4				9739-0831-22	Mutter	Nut		
34	1				1134-1305-03	Rattrör- nedre	Steering column- lower		
35	2				1134-1901-01	Lager	Bearing		
36	1				1134-2821-04	Rattstång	Steering rod		
41	2				9893-0616-16	Skruv	Screw		
42	1				1134-2837-03	Distans	Spacer		
52	1				1134-5173-01	Ratt	Steering wheel		
63	1				1134-5216-01	Rattrör- inre kpl	Steering tube- inner		
64	1				1134-5177-01	• Slid	• Slide		
65	1				9710-0631-12	• Fyrkantmutter	• Square nut		
66	1				1134-4481-02	Vingmutter	Wing nut		
67	1				9997-0630-12	Skruv	Screw		



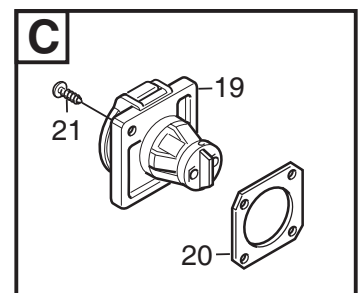
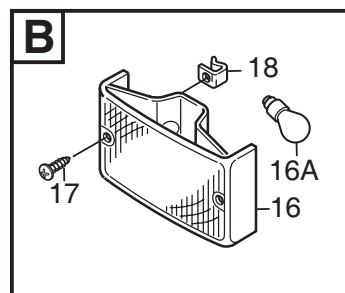
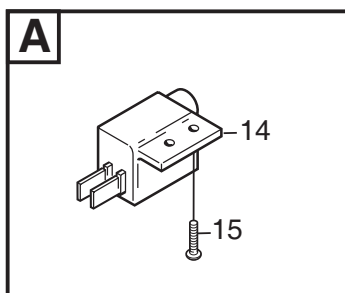
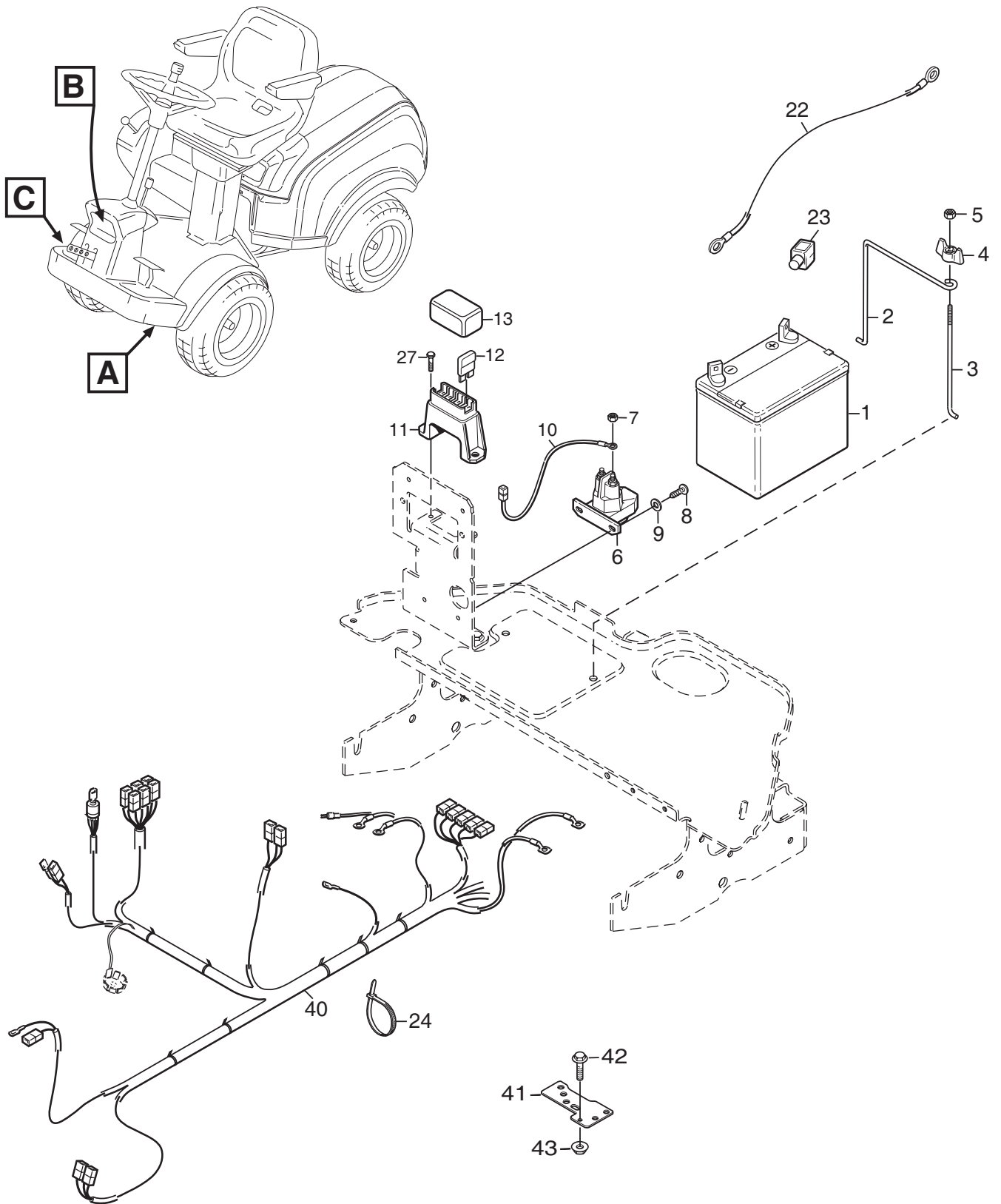
Utgåva Issue 2009- 11		Bildnr Picture No 2408A		PARK 4WD RESIDENCE STYRNING		PARK 4WD RESIDENCE STEERING		Sida Page 124	
Pos. Fig.	Antal/Quantity				Art nr Part No	Benämning	Description	Sats Kit	Anmärkning Notes
	6178								
1	1				1134-6374-06	Kedja	Chain		83 länk
2	3				1134-6374-02	Kedja	Chain		41 länk
3	1				1134-6374-04	Kedja	Chain		45 länk
4A	1				1134-3550-01	Ändnippel	End nipple		L = 110 mm
4B	1				1134-3550-02	Ändnippel	End nipple		L = 90 mm
5	4				1134-3565-01	Skarvnippel.....	Connection nipple		
6	10				1134-2824-02	Kedjelås	Chain lock		
7A	1				1134-3817-01	Tryckfjäder.....	Compression spring.....		L = 58 mm
7B	1				1134-3817-02	Tryckfjäder.....	Compression spring.....		L = 33 mm
8	2				9699-0090-02	Planbricka.....	Flat washer.....		
9	2				9747-0831-02	Mutter.....	Lock nut.....		
10	4				1134-2816-01	Kedjehjul.....	Sprocket.....		
11	4				1134-0041-02	Linhjulshylsa	Idler wheel bush.....		
12	4				9699-0035-02	Planbricka.....	Flat washer.....		
13	2				9997-1050-16	Skruv	Screw.....		
14	2				9897-1040-12	Skruv	Screw.....		
15	4				9739-1031-22	Mutter.....	Nut.....		
16	3				1134-3547-01	Kedjehjul.....	Sprocket.....		
17	2				1134-0041-01	Linhjulshylsa	Bushing.....		
18	2				1134-0046-00	Linhållare.....	Wire clamp.....		
19	2				9997-1030-16	Skruv	Screw.....		
20	2				9739-1031-22	Mutter.....	Nut.....		
21	1				1134-4120-04	Styrkonsol	Steering console		
22	4				9897-0820-16	Skruv	Screw.....		
23	4				9739-0831-22	Mutter.....	Nut.....		
24	1				1134-4113-02	Rattör- nedre	Steering tube- lower		
25	1				9549-0017-00	Kullager	Ball bearing		
26	1				9945-0816-16	Skruv	Screw.....		
27	1				1134-4087-01	Rattstång	Steering rod		
28	1				1134-4114-01	Bussning	Bushing.....		
29	1				1134-4118-01	Koppling	Coupling.....		
30	2				9595-0256-01	Spännstift	Pin		
31	1				9695-0011-00	Bricka	Washer.....		
32	1				1134-5173-02	Ratt kpl	Steering wheel assy		
33	1				1134-3769-01	• Styrknopp kpl	• Steering wheel button		
34	1				1134-3752-01	•• Knoppfäste.....	•• Knob holder.....		
35	1				9997-0870-16	•• Skruv	•• Screw.....		
36	1				1134-1565-06	•• Distans.....	•• Spacer.....		
37	3				9699-0090-02	•• Planbricka	•• Flat washer		
38	1				9747-0831-02	•• Mutter.....	•• Lock nut		
39	1				9403-0043-70	•• Plugg	•• Plug.....		
40	1				9403-0113-00	•• Mutterhatt.....	•• Nut cap.....		
42	1				1134-6420-01	Momentförstärkare.....	Steering booster		
42A	1				1139-2074-01	Reparationssats.....	Seal kit		
43	3				9939-0612-16	Skruv	Screw.....		
47	1				1134-7073-01	Vinkeladapter	Angle connection		
48	1				1134-6822-01	Hydraulslang	Hydraulic tube.....		L = 1740 mm
49	1				1134-6323-01	Banjoskruv.....	Banjo bolt.....		
50	1				1134-6821-01	Hydraulslang	Hydraulic tube.....		L = 2050 mm
51	2				1134-4948-02	Tredobricka	Seal washer.....		
52	2				1134-4282-01	Hydraulnippel	Hydraulic nipple		
52A	1				9404-0028-01	•O- ring	•O- ring		
53	1				1134-5216-01	Rattör- inre kpl	Steering tube- inner.....		
54	1				1134-5177-01	• Slid	• Slide.....		
55	1				9710-0631-12	• Fyrkantmutter	• Square nut		
56	1				1134-4481-02	Vingmutter.....	Wing nut		
57	1				9997-0630-12	Skruv	Screw.....		



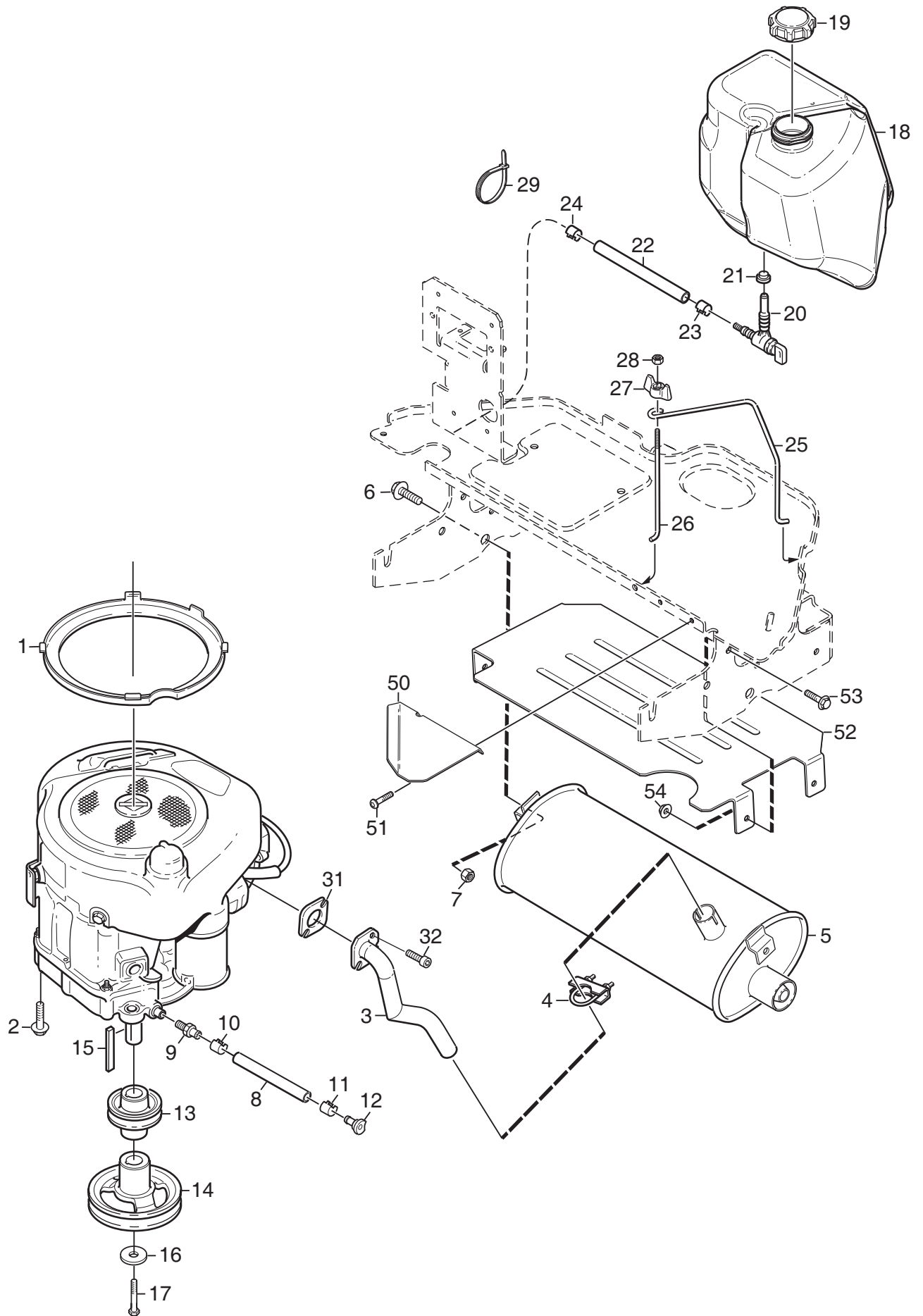
Utgåva Issue 2009- 11		Bildnr Picture No 1991D		PARK 4WD HANDREGLAGE		PARK 4WD HAND CONTROLS		Sida Page 126	
Pos. Fig.	Antal/Quantity			Art nr Part No	Benämning	Description	Sats Kit	Anmärkning Notes	
	6178	6196 6199	6185						
1	1	1	1	1134-4156-01	Vinkelhållare	Panel bracket- inner			
2	2	2	2	9897-0820-16	Skruv	Screw			
3	2	2	2	9739-0831-22	Mutter	Nut			
4	1	1	1	9695-0011-00	Bricka	Washer			
5	1	1	1	1134-4065-01	Reglageaxel	Control shaft			
6	1	1	1	1134-4079-01	Fjäder	Spring			
7	1	1	1	1134-4080-03	Reglagehylsa	Control sleeve			
8	2	2	2	9959-0820-16	Skruv	Screw			
9	1	1	1	1134-4077-01	Gasreglage	Throttle control			
10	1	1	1	1134-4078-01	Knopp	Knob			
11	1	1	1	1134-0240-00	Ansattsskruv	Shoulder screw			
12	2	2	2	1134-4242-01	Distansbricka	Spacer washer			
13	1	1	1	9694-0001-00	Fjäderbricka	Washer			
14	1	1	1	9747-0831-02	Mutter	Lock nut			
15			1	1134-4195-01	Gaswire	Throttle cable		L1 = 1413 mm	
15			1	1134-4195-04	Gaswire	Throttle cable		L1 = 1070 mm	
15	1			1134-4197-01	Gaswire	Throttle cable		L1 = 925 mm	
16	1	1	1	9500-9991-00	Wireklämma	Cable clamp			
17	1	1	1	9943-0516-16	Skruv	Screw			
18	1	1	1	1134-4072-01	Aggregatspak	Control lever			
19	1	1	1	1134-2551-01	Reglageknopp	Knob			
20	1	1	1	1134-3573-03	Wire	PTO cable			
21	1	1	1	1134-5358-01	Brytarfäste	Switch bracket			
22	2	2	2	9852-8013-16	Skruv	Screw			
23	1	1	1	9400-0285-01	Microbrytare	Switch			
24	2	2	2	9840-7716-16	Skruv	Screw		L = 16 mm	
25	1	1	1	1134-6328-01	Frontfäste	Panel bracket- front			
26	2	2	2	9893-0616-16	Skruv	Screw			
27	1	1	1	1134-6327-01	Frontplåt	Front plate			
28	4	4	4	9893-0616-16	Skruv	Screw			
32		1	1	1134-6096-02	Kassett	Dashboard			
32	1			1134-6096-05	Kassett	Dashboard			
33	4	4	4	9946-0525-16	Skruv	Screw			
34	1	1	1	1134-4154-01	Täckbricka	Cover			
35	5	5	5	1134-4129-01	Täckbricka	Cover			
36	1	1	1	1134-4093-01	Tändningslås	Ignition switch			
39	1	1	1	1134-4749-01	Mutter	Nut			
40		1		1134-2872-03	Chokereglage	Choke control			
40			1	1134-2872-05	Chokereglage	Choke control			
40A		1	1	1134-4338-01	• Reglageknopp	• Control knob			
41		1	1	9699-0090-02	Planbricka	Flat washer			
42	1	1	1	9400-0282-01	Brytare m.diod	Switch w.diode			
44	1	1	1	1134-6097-01	Timräknare	Hour meter			
45	1			1134-4100-01	Täckpropp	Cap			
49	1	1	1	9400-0280-03	Vippa- höjdställning	Cover- height adjust			
99	1	1	1	9400-0290-01	Verktyg f.vippa	Tool for cover		Tillbehör/Accessory	



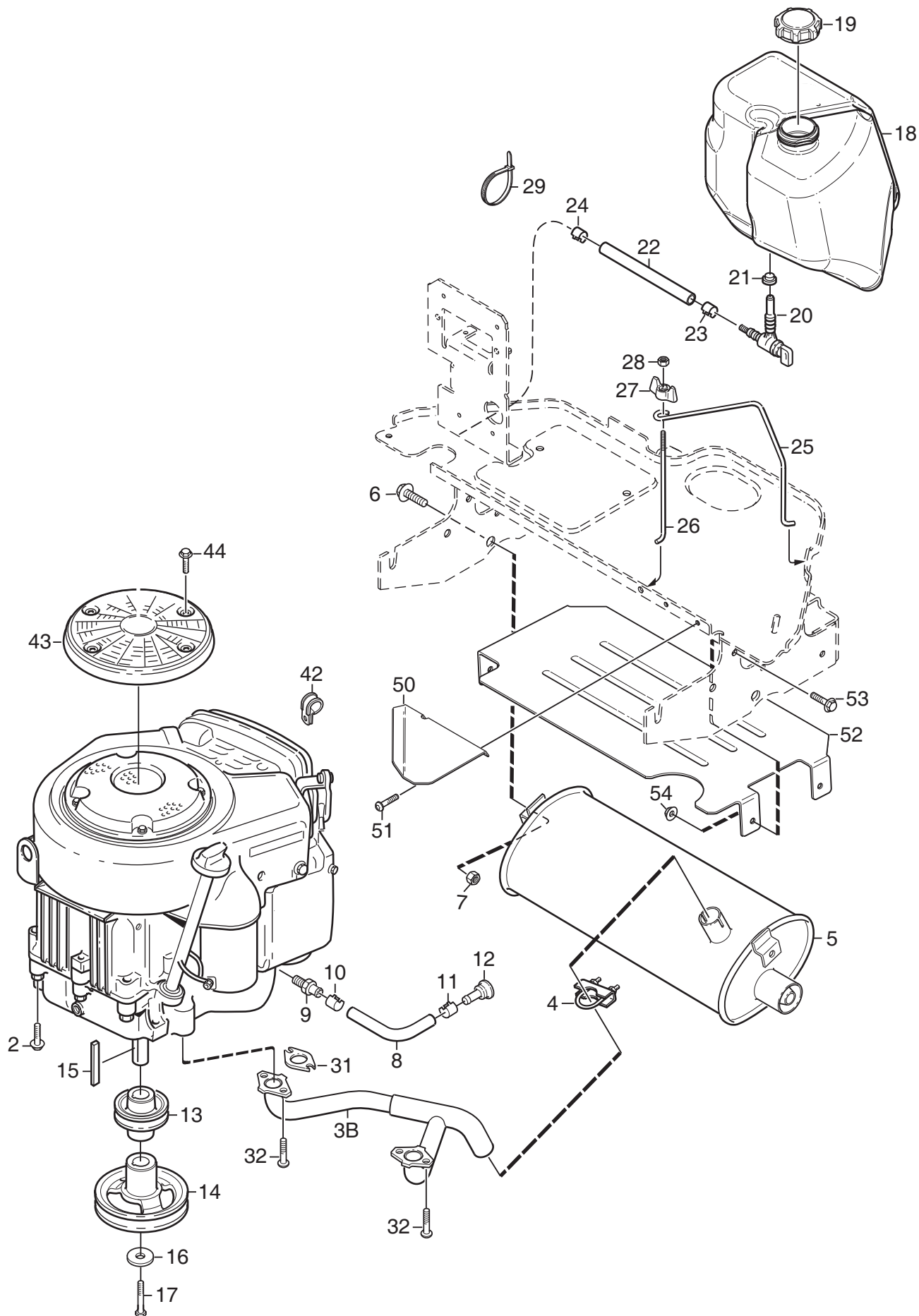
Utgåva Issue		Bildnr Picture No		PARK 4WD FOTREGLAGE		PARK 4WD FOOT CONTROLS		Sida Page	
2009- 11		2206B						128	
Pos. Fig.	Antal/Quantity				Art nr Part No	Benämning	Description	Sats Kit	Anmärkning Notes
	6178	6185	6196	6199					
1	1				1134-5655-01	Broms/kopplingspedal.....	Brake/clutch pedal.....		Sats 4 st/kit of 4
2	1				1134-9024-01	Lager.....	Bearing.....		
3	1				1134-5677-02	Distans.....	Spacer.....		
4	1				9997-1070-12	Skruv.....	Screw.....		
5	1				9699-0030-02	Planbricka.....	Flat washer.....		
6	1				9739-1031-22	Mutter.....	Nut.....		
7	1				1134-6005-01	Wire.....	Cable.....		
8	1				4231-0013-00	Fjäder.....	Spring.....		
9A	1				1134-6467-01	Wirefäste.....	Cable holder.....		
10	2				9959-0820-16	Skruv.....	Screw.....		
11	1				9739-0831-22	Mutter.....	Nut.....		
12	1				9747-0831-02	Mutter.....	Lock nut.....		
13	1				1134-6353-01	Drivpedal.....	Drive pedal.....		
14	2				1134-6313-01	Lager.....	Bearing.....		
15	2				1134-2700-01	Fäste.....	Bracket.....		
16	2				9959-0820-16	Skruv.....	Screw.....		
17	2				9739-0831-22	Mutter.....	Nut.....		
18	1				9997-0835-16	Skruv.....	Screw.....		
19	1				9739-0831-22	Mutter.....	Nut.....		
22	1				1134-2766-05	Reglagewire.....	Speed control cable.....		
23	2				9570-0001-00	Vinkellänk.....	Elbow link.....		
24	2				9739-0531-22	Mutter.....	Nut.....		
25	2				9747-0531-02	Mutter.....	Nut.....		
27	1				1134-6317-01	Wirefäste.....	Cable holder.....		
28	2				9959-0620-16	Skruv.....	Screw.....		
29	2				9739-0631-22	Mutter.....	Nut.....		
30	1				1134-3395-01	Fäste.....	Attachment.....		
31	2				9959-0820-16	Skruv.....	Screw.....		
32	2				9739-0831-22	Mutter.....	Nut.....		
33	1				1134-2021-01	Växelwirefäste.....	Clamp.....		
34	1				1134-5101-01	Bromsstång.....	Brake rod.....		
36	1				1134-3808-01	Knopp.....	Knob.....		
37	1				1131-1497-01	Fjäder.....	Spring.....		
38	1				1134-4002-01	Fäste.....	Brake rod attachment.....		
39	3				9838-9516-12	Skruv.....	Screw.....		
43	2				1134-6340-02	Fotstöd.....	Foot rest.....		
44	4				9959-0620-16	Skruv.....	Screw.....		
45	4				9739-0631-22	Mutter.....	Nut.....		



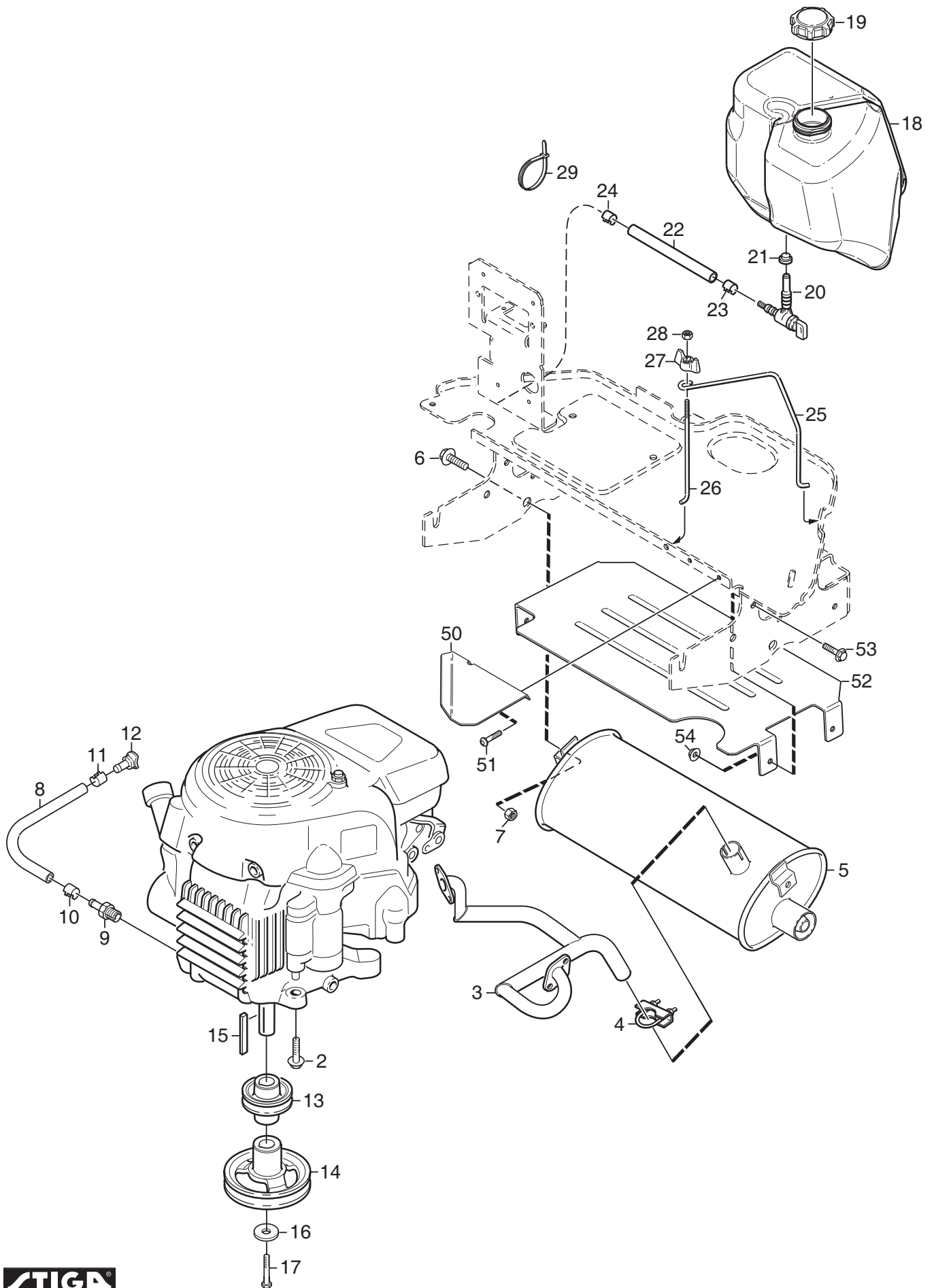
Utgåva Issue 2009- 11		Bildnr Picture No 2020E		PARK 4WD ELUTRUSTNING		PARK 4WD EL. EQUIPMENT		Sida Page 130	
Pos. Fig.	Antal/Quantity				Art nr Part No	Benämning	Description	Sats Kit	Anmärkning Notes
	6178 6185	6199	6196						
1	1	1	1		1134-5751-01	Batteri	Battery		
2	1	1	1		1134-5994-01	Batteribygel	Battery loop.....		
3	1	1	1		1134-5995-01	Batteribygel	Battery loop.....		
4	1	1	1		1134-4481-02	Vingmutter.....	Wing nut		
5	1	1	1		9747-0631-02	Låsmutter	Lock nut		
6	1	1	1		1134-2962-01	Solenoid kpl	Solenoid assy.....		
7	2	2	2		9794-5131-02	• Mutter.....	• Nut		
8	2	2	2		9852-8013-16	Skruv	Screw		
9	2	2	2		9699-0060-02	Planbricka.....	Flat washer.....		
10	1	1	1		1134-4970-02	Kabel- röd	Cable- red.....		
11	1	1	1		1134-3491-01	Säkringshållare.....	Fuse holder		
12	1	1	1		1134-3496-01	Säkring	Fuse	10A	
12	1	1	1		1134-3496-06	Säkring	Fuse	20A	
12	1	1	1		1134-3496-07	Säkring	Fuse	30A	
13	1	1	1		1134-3631-01	Lock- säkringsdosa.....	Cover- fuse holder.....		
14	1	1	1		1134-3399-02	Brytare.....	Switch		
15	2	2	2		9943-0516-16	Skruv	Screw		
16	1	1	1		1134-4172-01	Strålkastare kpl.....	Headlamp assy.....		
16A	1	1	1		9400-0293-01	• Glödlampa	• Bulb.....	12V - 21W	
17	2	2	2		9849-7819-16	Skruv	Screw		
18	2	2	2		1134-4177-01	Clips	Clips		
19	1	1	1		1134-7535-01	Honkontakt	Female terminal.....		
20	1	1	1		1134-4052-01	Stödbricka	Support washer.....		
21	2	2	2		9840-7716-16	Skruv	Screw		
22	1	1	1		1134-0234-02	Batterikabel (+).....	Battery cable (+).....		
23	1	1	1		1134-2310-01	Batteriskydd.....	Guard cap		
24	7	7	7		9579-0003-00	Buntband	Cable holder		
27	2	2	2		9849-8006-16	Skruv	Screw		
40	1		1		1134-6441-01	Kablage.....	Harness.....		
40		1			1137-0027-01	Kablage.....	Harness.....	Honda	
41		1	1		1134-6454-01	Jordplåt	Ground plate		
42			1		9959-0612-16	Skruv	Screw		
43			1		9739-0631-22	Mutter.....	Nut		



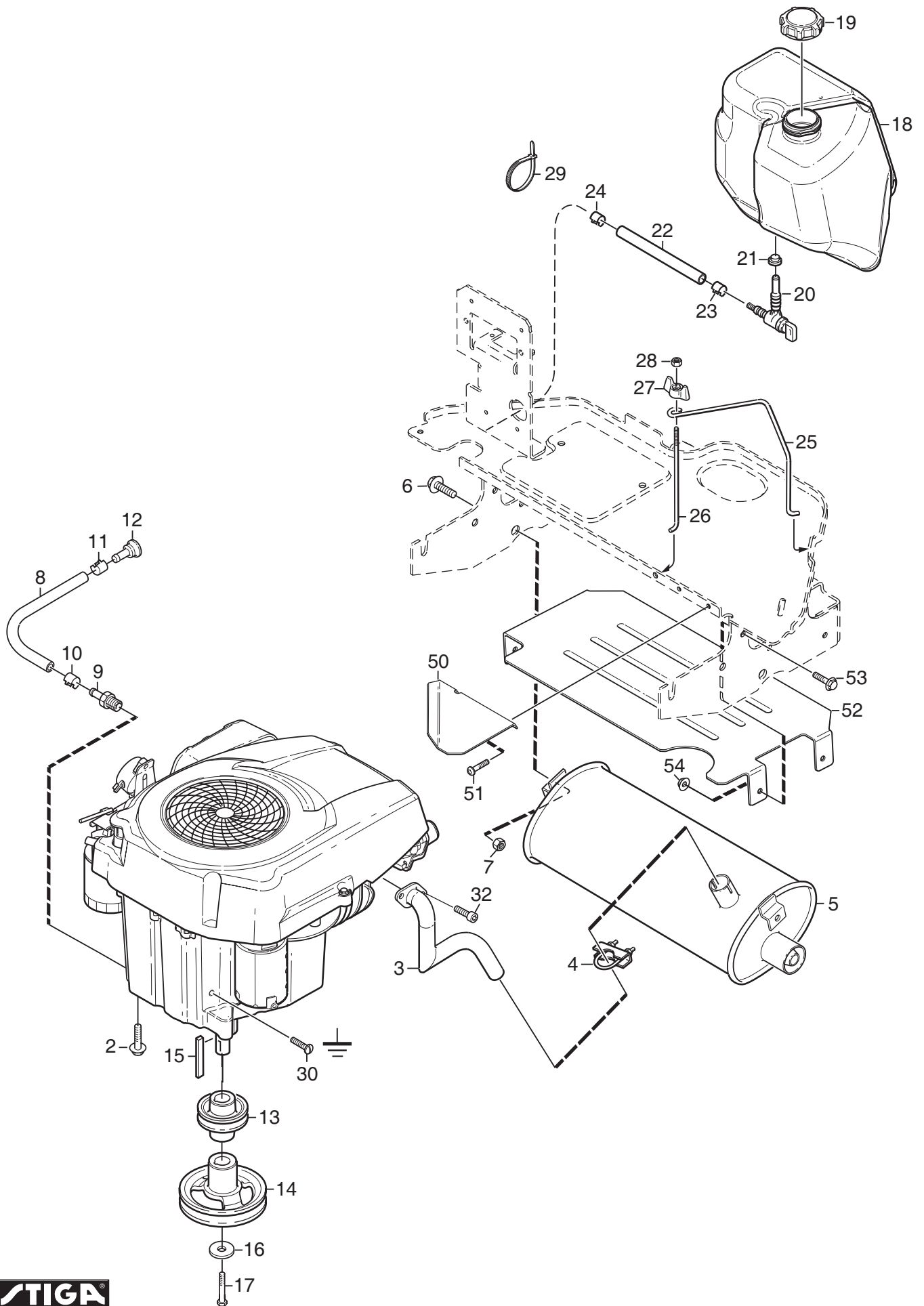
Utgåva Issue 2009- 11		Bildnr Picture No 2021		PARK 4WD RESIDENCE MOTOR (Briggs & Stratton)		PARK 4WD RESIDENCE ENGINE (Briggs & Stratton)		Sida Page 132	
Pos. Fig.	Antal/Quantity				Art nr Part No	Benämning	Description	Sats Kit	Anmärkning Notes
	6178								
1	1				1134-6116-02	Luffring.....	Air duct		
2	4				9955-3725-16	Skruv.....	Screw.....		
3	1				1134-6100-01	Grenrör.....	Exhaust pipe		
4	1				9578-0011-01	Klämma.....	Clamp.....		
5	1				1134-6024-01	Ljuddämpare	Muffler		
6	1				9959-0820-16	Skruv.....	Screw.....		
7	1				9739-0831-22	Mutter.....	Nut		
8	1				1134-5827-01	Oljeavtappning kpl.....	Oil drain assy		Inkl. pos 9 - 12
9	1				1134-5825-01	• Nippel.....	• Nipple.....		
10	1				9578-0023-04	• Slangklämma.....	• Hose clamp		
11	1				1134-3499-02	• Slangklämma.....	• Hose clamp		
12	1				1134-5826-01	• Plugg.....	• Plug.....		
13	1				1134-6137-01	Motorremskiva	Engine pulley.....		
14	1				1134-6419-01	Motorremskiva	Engine pulley.....		
15	1				9600-0251-01	Kil.....	Key.....		
16	1				1134-5017-01	Bricka.....	Washer.....		
17	1				9987-5332-16	Skruv.....	Screw		
18	1				1134-5938-01	Bränsletank.....	Fuel tank		
19	1				1134-5532-01	Tanklock	Fuel tank cap.....		
20	1				1134-3224-01	Bensinkran.....	Fuel shut-off valve		
21	1				1134-3225-01	Gummibussning.....	Grommet.....		
22	1				1134-2975-13	Bensinslang	Fuel hose.....	L = 1100 mm	
23	1				9578-0023-02	Slangklämma.....	Hose clamp		
24	1				9578-0023-02	Slangklämma.....	Hose clamp		
25	1				1134-5942-01	Tankbygel	Tank loop		
26	1				1134-5996-01	Tankbygel	Tank loop		
27	1				1134-4481-02	Vingmutter.....	Wing nut		
28	1				9747-0631-02	Låsmutter	Lock nut.....		
29	1				9579-0003-00	Buntband.....	Cable holder.....		
30	1				9852-8013-16	Skruv.....	Screw.....		
31	1				1134-0433-00	Ljuddämparpackning.....	Muffler gasket.....		
32	2				1134-4930-01	Skruv.....	Screw.....		
50	1				1134-6234-01	Deflektor.....	Heat deflector.....		
51	2				9943-0516-16	Skruv.....	Screw.....		
52	1				1134-6251-01	Deflektor.....	Heat deflector.....		
53	4				9959-0612-16	Skruv.....	Screw.....		
54	4				9739-0631-22	Mutter.....	Nut.....		



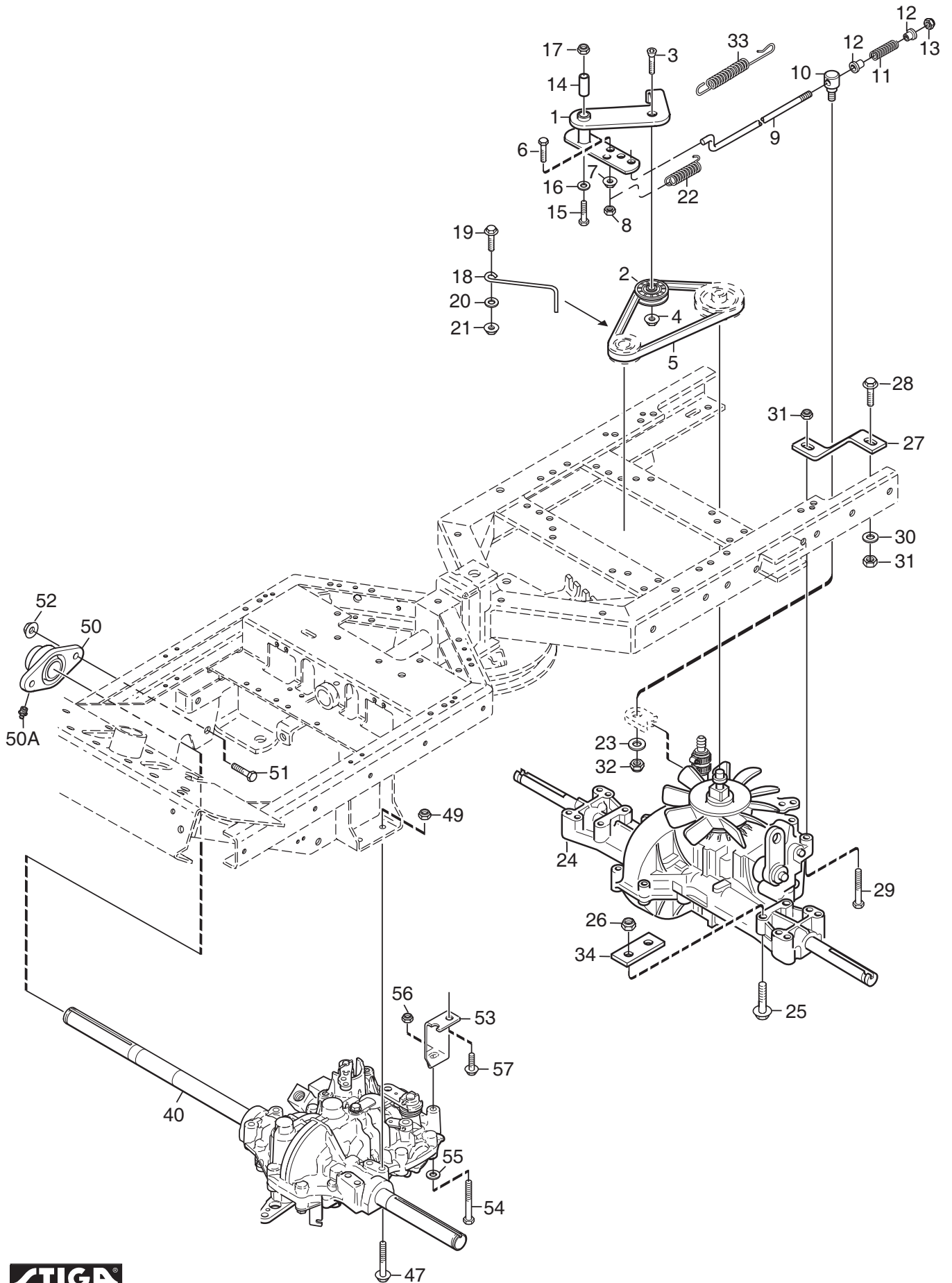
Utgåva Issue 2009- 11		Bildnr Picture No 2207B		PARK 4WD POWER MOTOR (Briggs & Stratton)		PARK 4WD POWER ENGINE (Briggs & Stratton)		Sida Page 134	
Pos. Fig.	Antal/Quantity				Art nr Part No	Benämning	Description	Sats Kit	Anmärkning Notes
	6196								
2	4				9955-3725-16 Skruv.....	Screw.....			
3B	1				1134-6422-01 Grenrör.....	Exhaust pipe.....			
4	1				9578-0011-01 Klämma.....	Clamp.....			
5	1				1134-6024-01 Ljuddämpare.....	Muffler.....			
6	1				9959-0820-16 Skruv.....	Screw.....			
7	1				9739-0831-22 Mutter.....	Nut.....			
8	1				1134-5827-01 Oljeavtapning kpl.....	Oil drain assy.....			Inkl. pos 9 - 12
9	1				1134-5825-01 • Nippel.....	• Nipple.....			
10	1				9578-0023-04 • Slangklämma.....	• Hose clamp.....			
11	1				1134-3499-02 • Slangklämma.....	• Hose clamp.....			
12	1				1134-5826-01 • Plugg.....	• Plug.....			
13	1				1134-6137-01 Motorremskiva.....	Engine pulley.....			
14	1				1134-6419-01 Motorremskiva.....	Engine pulley.....			
15	1				9600-0251-01 Kil.....	Key.....			
16	1				1134-5017-01 Bricka.....	Washer.....			
17	1				9987-5332-16 Skruv.....	Screw.....			
18	1				1134-5938-01 Bränsletank.....	Fuel tank.....			
19	1				1134-5532-01 Tanklock.....	Fuel tank cap.....			
20	1				1134-3224-01 Bensinkran.....	Fuel shut-off valve.....			
21	1				1134-3225-01 Gummibussning.....	Grommet.....			
22	1				1134-2975-13 Bensinslang.....	Fuel hose.....			L = 1100 mm
23	1				9578-0023-02 Slangklämma.....	Hose clamp.....			
24	1				9578-0023-02 Slangklämma.....	Hose clamp.....			
25	1				1134-5942-01 Tankbygel.....	Tank loop.....			
26	1				1134-5996-01 Tankbygel.....	Tank loop.....			
27	1				1134-4481-02 Vingmutter.....	Wing nut.....			
28	1				9747-0631-02 Låsmutter.....	Lock nut.....			
29	1				9579-0003-00 Buntband.....	Cable holder.....			
30	1				9893-0616-16 Skruv.....	Screw.....			
31	2				1134-0433-00 Ljuddämparpackning.....	Muffler gasket.....			
32	4				1134-4930-01 Skruv.....	Screw.....			
42	1				1134-0994-02 Rörklammer.....	Tube clamp.....			
43	1				1134-4168-01 Fläktskiva.....	Fan disc.....			
44	4				9838-9516-12 Skruv.....	Screw.....			
50	1				1134-6234-01 Deflektor.....	Heat deflector.....			
51	2				9943-0516-16 Skruv.....	Screw.....			
52	1				1134-6251-01 Deflektor.....	Heat deflector.....			
53	4				9959-0612-16 Skruv.....	Screw.....			
54	4				9739-0631-22 Mutter.....	Nut.....			

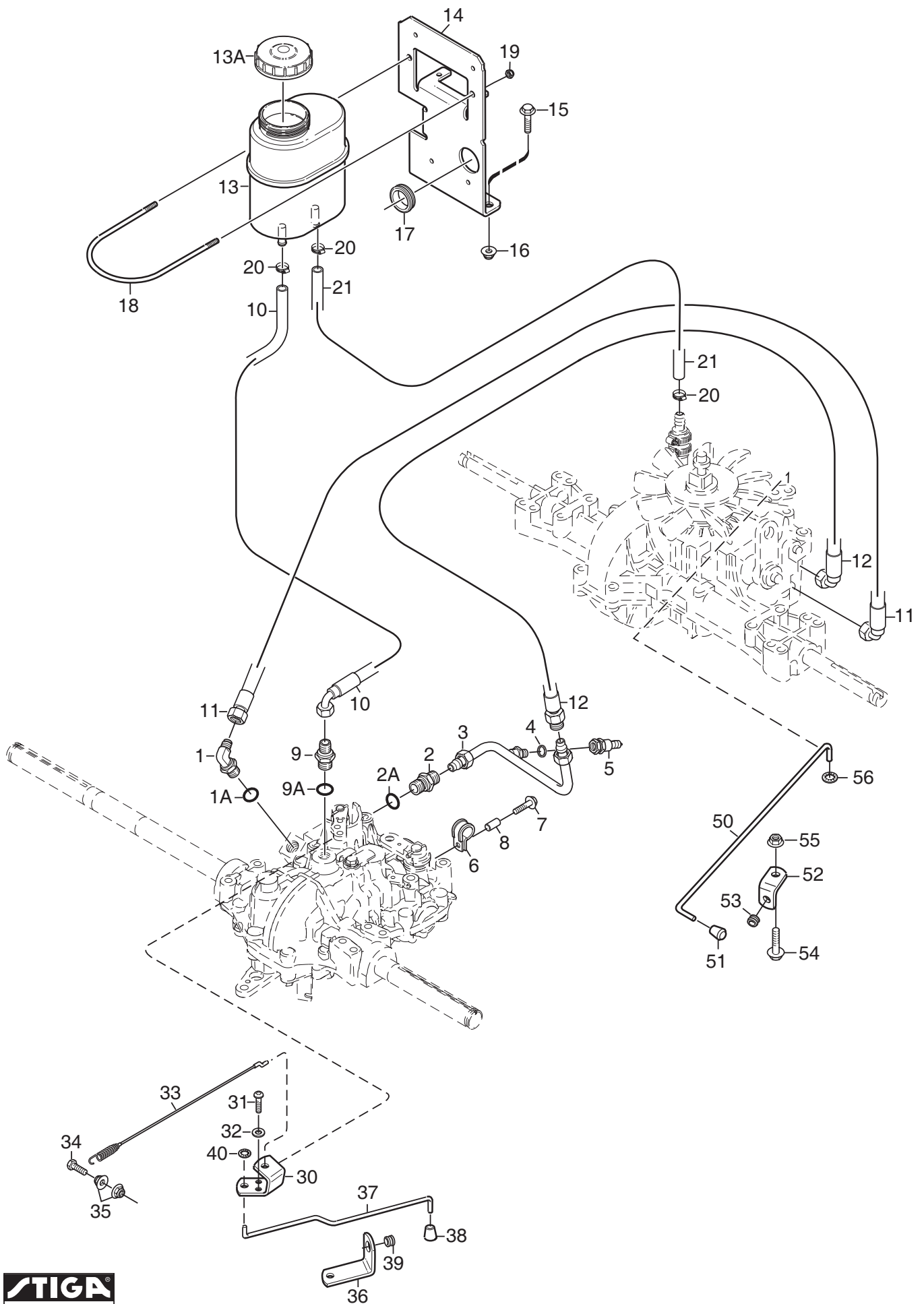


Utgåva Issue 2009- 11		Bildnr Picture No 2022		PARK 4WD RESIDENCE MOTOR (Honda)		PARK 4WD RESIDENCE ENGINE (Honda)		Sida Page 136	
Pos. Fig.	Antal/Quantity				Art nr Part No	Benämning	Description	Sats Kit	Anmärkning Notes
	6199								
2	4				9955-3725-16 Skruv.....	Screw.....			
3	1				1134-5947-01 Grenrör.....	Exhaust pipe.....			
4	1				9578-0011-01 Klämman.....	Clamp.....			
5	1				1134-6024-01 Ljuddämpare.....	Muffler.....			
6	1				9959-0820-16 Skruv.....	Screw.....			
7	1				9739-0831-22 Mutter.....	Nut.....			
8	1				1134-5827-01 Oljeavtapning kpl.....	Oil drain assy.....			Inkl. pos 9 - 12
9	1				1134-5825-01 • Nippel.....	• Nipple.....			
10	1				9578-0023-04 • Slangklämman.....	• Hose clamp.....			
11	1				1134-3499-02 • Slangklämman.....	• Hose clamp.....			
12	1				1134-5826-01 • Plugg.....	• Plug.....			
13	1				1134-6137-01 Motorremskiva.....	Engine pulley.....			
14	1				1134-6419-01 Motorremskiva.....	Engine pulley.....			
15	1				9600-0251-01 Kil.....	Key.....			
16	1				1134-5017-01 Bricka.....	Washer.....			
17	1				9987-5332-16 Skruv.....	Screw.....			
18	1				1134-5938-01 Bränsletank.....	Fuel tank.....			
19	1				1134-5532-01 Tanklock.....	Fuel tank cap.....			
20	1				1134-3224-01 Bensinkran.....	Fuel shut-off valve.....			
21	1				1134-3225-01 Gummibussning.....	Grommet.....			
22	1				1134-2975-13 Bensinslang.....	Fuel hose.....			L = 1100 mm
23	1				9578-0023-02 Slangklämman.....	Hose clamp.....			
24	1				9578-0023-02 Slangklämman.....	Hose clamp.....			
25	1				1134-5942-01 Tankbygel.....	Tank loop.....			
26	1				1134-5996-01 Tankbygel.....	Tank loop.....			
27	1				1134-4481-02 Vingmutter.....	Wing nut.....			
28	1				9747-0631-02 Låsmutter.....	Lock nut.....			
29	1				9579-0003-00 Buntband.....	Cable holder.....			
30	1				9893-0616-16 Skruv.....	Screw.....			
50	1				1134-6234-01 Deflektor.....	Heat deflector.....			
51	2				9943-0516-16 Skruv.....	Screw.....			
52	1				1134-6251-01 Deflektor.....	Heat deflector.....			
53	4				9959-0612-16 Skruv.....	Screw.....			
54	4				9739-0631-22 Mutter.....	Nut.....			

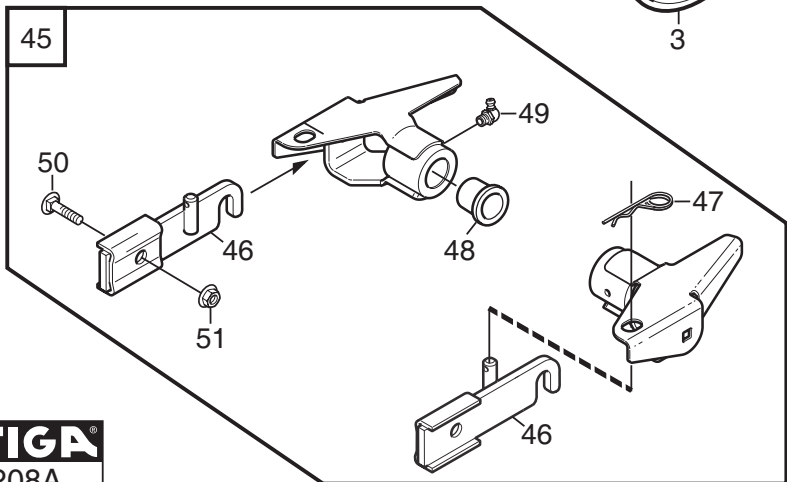
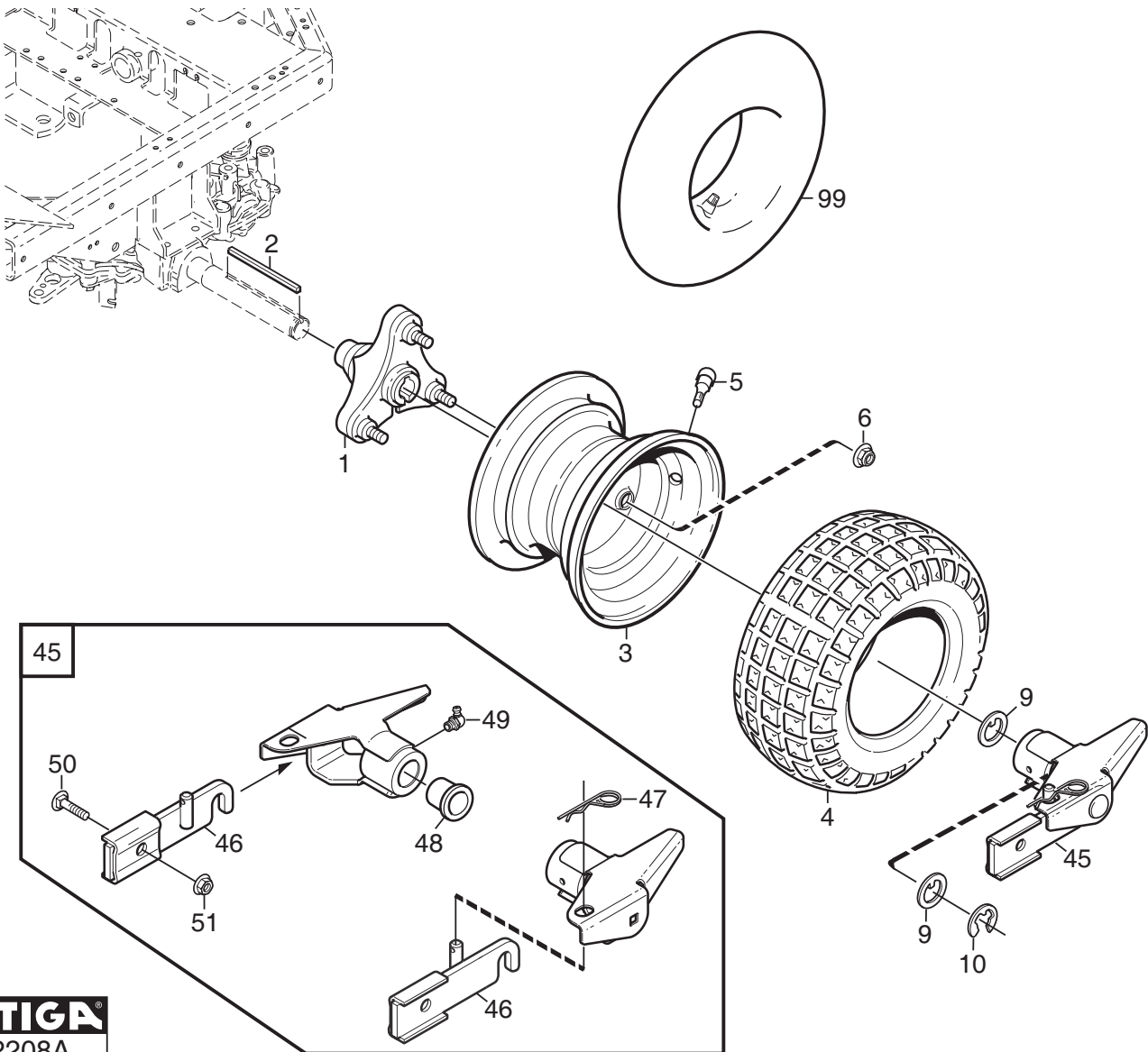
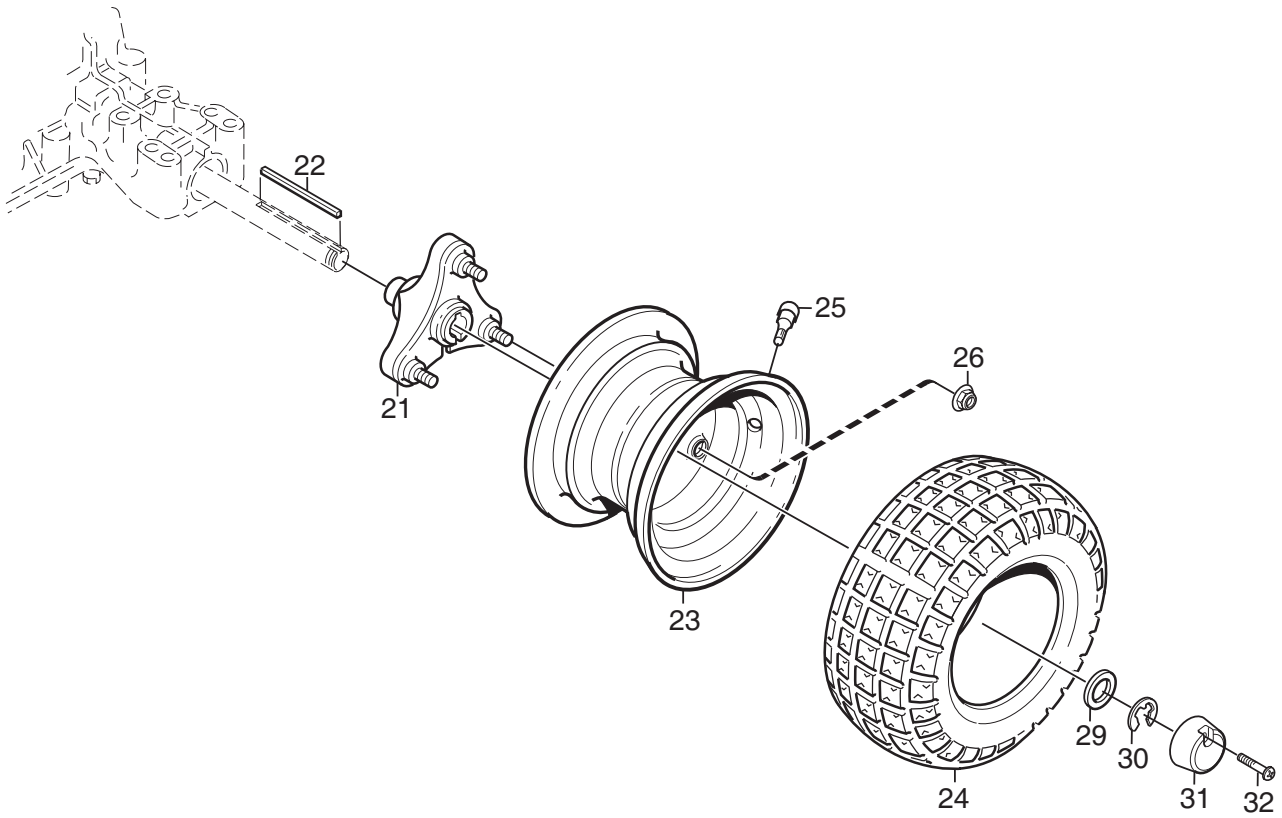


Utgåva Issue 2009- 11		Bildnr Picture No 2037A		PARK 4WD PRESTIGE MOTOR (Kohler)		PARK 4WD PRESTIGE ENGINE (Kohler)		Sida Page 138	
Pos. Fig.	Antal/Quantity				Art nr Part No	Benämning	Description	Sats Kit	Anmärkning Notes
	6185								
2	4				9955-3725-16 Skruv.....	Screw.....			
3	1				1134-6021-01 Grenrör.....	Exhaust pipe.....			
4	1				9578-0011-01 Klämman.....	Clamp.....			
5	1				1134-6024-01 Ljuddämpare.....	Muffler.....			
6	1				9959-0820-16 Skruv.....	Screw.....			
7	1				9739-0831-22 Mutter.....	Nut.....			
8	1				1134-5827-01 Oljeavtappning kpl.....	Oil drain assy.....			Inkl. pos 9 - 12
9	1				1134-5825-01 • Nippel.....	• Nipple.....			
10	1				9578-0023-04 • Slangklämman.....	• Hose clamp.....			
11	1				1134-3499-02 • Slangklämman.....	• Hose clamp.....			
12	1				1134-5826-01 • Plugg.....	• Plug.....			
13	1				1134-6137-01 Motorremskiva.....	Engine pulley.....			
14	1				1134-6419-01 Motorremskiva.....	Engine pulley.....			
15	1				9600-0251-01 Kil.....	Key.....			
16	1				1134-5017-01 Bricka.....	Washer.....			
17	1				9987-5332-16 Skruv.....	Screw.....			
18	1				1134-5938-01 Bränsletank.....	Fuel tank.....			
19	1				1134-5532-01 Tanklock.....	Fuel tank cap.....			
20	1				1134-3224-01 Bensinkran.....	Fuel shut-off valve.....			
21	1				1134-3225-01 Gummibussning.....	Grommet.....			
22	1				1134-2975-13 Bensinslang.....	Fuel hose.....			L = 1100 mm
23	1				9578-0023-02 Slangklämman.....	Hose clamp.....			
24	1				9578-0023-02 Slangklämman.....	Hose clamp.....			
25	1				1134-5942-01 Tankbygel.....	Tank loop.....			
26	1				1134-5996-01 Tankbygel.....	Tank loop.....			
27	1				1134-4481-02 Vingmutter.....	Wing nut.....			
28	1				9747-0631-02 Låsmutter.....	Lock nut.....			
29	1				9579-0003-00 Buntband.....	Cable holder.....			
30	1				9893-0616-16 Skruv.....	Screw.....			
32	2				1134-4930-01 Skruv.....	Screw.....			
50	1				1134-6234-01 Deflektor.....	Heat deflector.....			
51	2				9943-0516-16 Skruv.....	Screw.....			
52	1				1134-6251-01 Deflektor.....	Heat deflector.....			
53	4				9959-0612-16 Skruv.....	Screw.....			
54	4				9739-0631-22 Mutter.....	Nut.....			

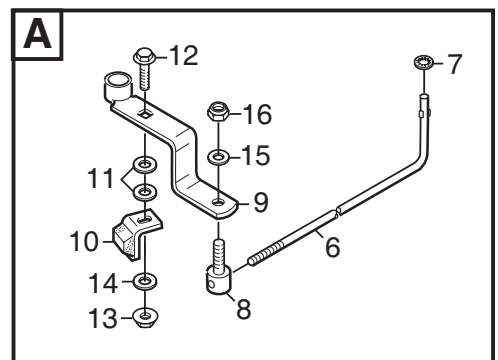
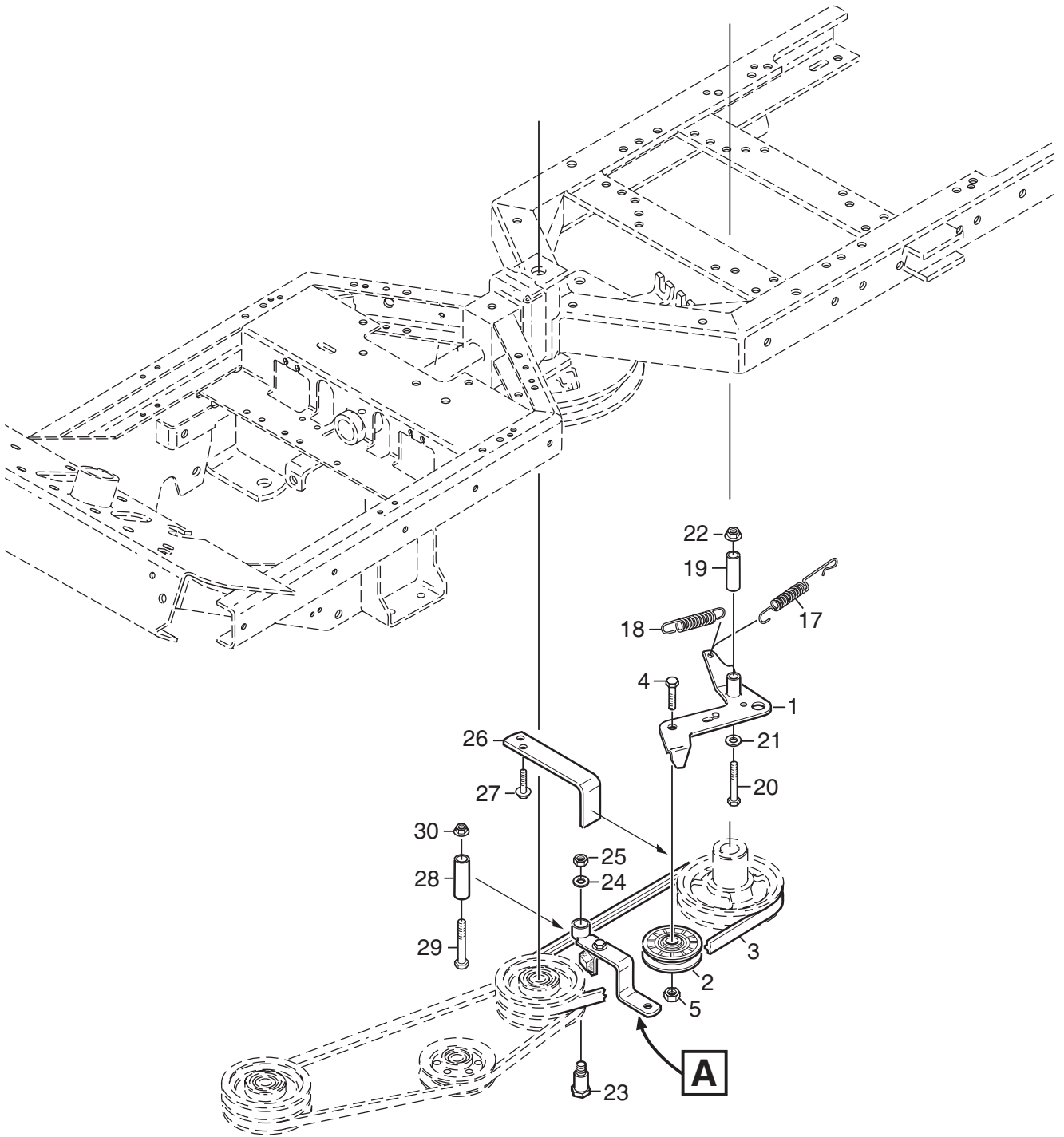




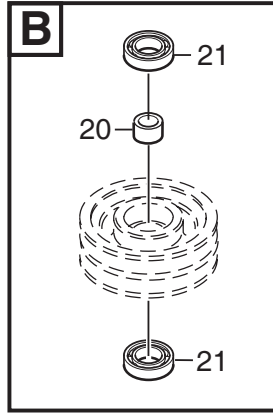
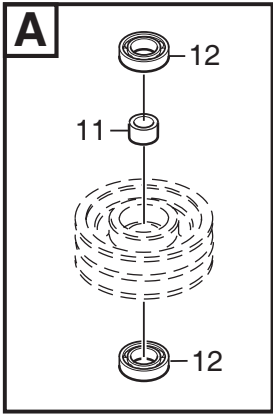
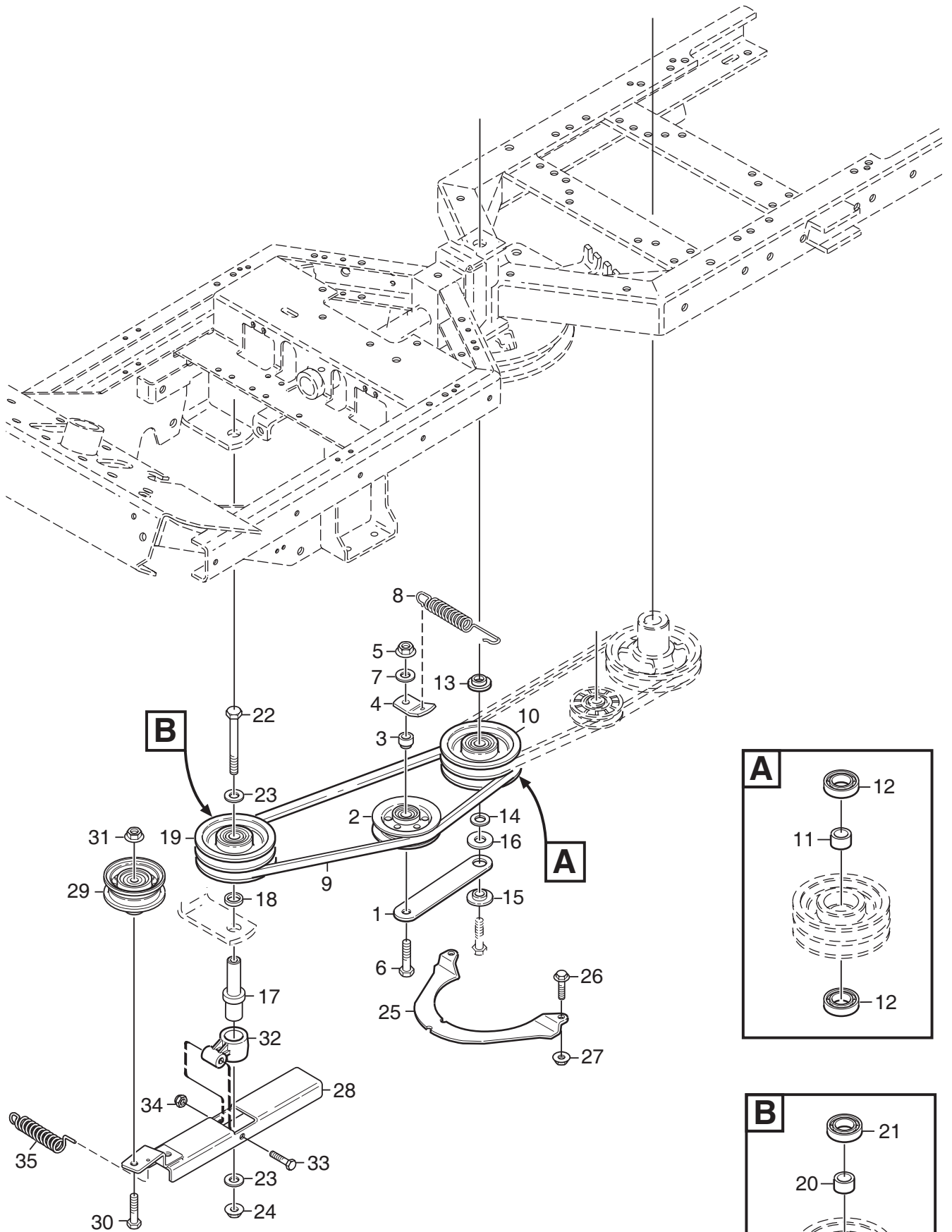
Utgåva Issue		Bildnr Picture No		PARK 4WD TRANSMISSION (hydr)		PARK 4WD TRANSMISSION (hydr)		Sida Page	
2009- 11		2039A						142	
Pos. Fig.	Antal/Quantity				Art nr Part No	Benämning	Description	Sats Kit	Anmärkning Notes
	6178	6185	6196	6199					
1	1				1134-6044-01	Vinkeladapter	Angle coupling		3/4" x 9/16"
1A	1				9404-0029-01	• O-ring	• O-ring		
2	1				1134-5875-01	Skäringskoppling	Hydraulic coupling		3/4"
2A	1				9404-0029-01	• O-ring	• O-ring		
3	1				1134-6039-01	Hydraulrör	Hydraulic pipe		
4	1				1134-4948-01	Tredobricka	Seal washer		1/4"
5	1				1134-6042-01	Snabbkoppling- hane	Quick coupling- male		
6	1				9578-0028-01	Rörklammer	Tube clamp		
7	1				9959-0825-16	Skruv	Screw		
8	1				1134-1565-09	Distans	Spacer		
9	1				1134-5809-01	Adapter	Hydraulic coupling		3/4" x 9/16"
9A	1				9404-0029-01	• O-ring	• O-ring		
10	1				1134-5758-04	Hydraulslang	Hydraulic tube		
11	1				1134-6048-01	Hydraulslang	Hydraulic tube		
12	1				1134-6043-01	Hydraulslang	Hydraulic tube		
13	1				1134-6011-01	Hydraultank	Hydraulic oil tank		
13A	1				1134-5965-01	• Tanklock	• Tank cap		
14	1				1134-5941-01	Tankkonsol	Tank bracket		
15	2				9959-0820-16	Skruv	Screw		
16	2				9739-0831-22	Mutter	Nut		
17	1				1134-3203-01	Kabelgenomföring	Grommet		
18	1				1134-5943-01	Tankbygel	Tank loop		
19	2				9747-0631-02	Låsmutter	Lock nut		
20	3				9578-0023-04	Slangklämma	Hose clamp		
21	1				1134-2779-02	Slang	Tube		L = 260 mm
30	1				1134-6162-01	Fäste	Bracket		
31	2				9939-0612-16	Skruv	Screw		
32	2				9699-0025-02	Planbricka	Washer		
33	1				1134-6163-01	Wire	Cable		
34	1				9997-0835-12	Skruv	Screw		
35	2				9739-0831-22	Mutter	Nut		
36	1				1134-6084-01	Reglagekonsol	Control bracket		
37	1				1134-6083-01	Reglagestång	Control rod		
38	1				1134-4014-01	Plastknopp	Plastic button		
39	1				1134-2790-01	Gummihylsa	Rubber grommet		
40	1				9675-0009-02	Starlock	Starlock		
50	1				1134-4015-01	Dragstång	Pull rod		
51	1				1134-4014-01	Plastknopp	Plastic button		
52	1				1134-4713-01	Vinkel	Bracket		
53	1				1134-2790-01	Gummihylsa	Rubber grommet		
54	1				9959-0820-16	Skruv	Screw		
55	1				9739-0831-22	Mutter	Nut		
56	1				9675-0009-02	Starlock	Starlock		



Utgåva Issue		Bildnr Picture No		PARK 4WD HJUL 16"		PARK 4WD WHEELS 16"		Sida Page	
2009- 11		2208A						144	
Pos. Fig.	Antal/Quantity				Art nr Part No	Benämning	Description	Sats Kit	Anmärkning Notes
	6178	6185	6196	6199					
1	2				1134-4844-03 Hjulnav	Wheel hub			
2	2				1134-3383-02 Kil	Key			
3	2				1134-4558-01 Fälg	Rim			
4	2				9545-0116-00 Däck	Tyre			16 x 7.50 - 8
5	2				9545-0500-00 Ventil	Valve			
6	6				9731-1031-22 Mutter	Nut			
9	4				1134-5797-01 • Bricka	• Washer			
10	2				9653-0002-04 • Spärryttare	• Lock ring			
21	2				1134-4844-02 Hjulnav	Wheel hub			
22	2				1134-2471-01 Kil	Key			
23	2				1134-4558-01 Fälg	Rim			
24	2				9545-0116-00 Däck	Tyre			16 x 7.50 - 8
25	2				9545-0500-00 Ventil	Valve			
26	6				9731-1031-22 Mutter	Nut			
29	2				9699-0042-02 Planbricka	Flat washer			
30	2				9653-0001-04 Spärryttare	Lock ring			
31	2				1134-4796-01 Navkapsel	Hub cap			
32	2				9947-0540-19 Skruv	Screw			
45	1				13-0993-61 Snabbfäste kpl	Quick connections			Inkl. pos 9,10,46-51
46	1				1134-7465-01 • Fästen kpl, vä+hö	• Attachment kit, LH+RH			Inkl. pos 50-51
47	2				9598-2001-02 • Låsnål	• Spring pin			
48	4				1134-5686-01 • Lagerbussning	• Bearing bush			
49	2				9501-0502-00 • Smörjnippel	• Grease joint			
50	2				9898-1035-16 •• Skruv	•• Screw			
51	2				9739-1031-22 •• Mutter	•• Nut			
99					9545-0203-00 Innerslang	Inner tube			Reservdel/spare part



Utgåva Issue		Bildnr Picture No		PARK 4WD KRAFTUTTAG 1		PARK 4WD POWER TAKE- OFF 1		Sida Page	
2009- 11		2030						146	
Pos. Fig.	Antal/Quantity				Art nr Part No	Benämning	Description	Sats Kit	Anmärkning Notes
	6178	6185	6196	6199					
1	1				1134-2018-02 Spännarm	Tension arm			
2	1				1134-9027-02 Spännrulle- grå	Tension roller- grey			
3	1				1134-9071-01 Drivrem	V- belt			= 9585- 0129- 01
4	1				9997-1030-16 Skruv	Screw			
5	1				9799-1031-02 Mutter	Nut			
6	1				1134-4162-01 Bromsstång	Brake rod			
7	1				9675-0008-02 Starlock	Locking washer			
8	1				1134-4170-01 Nippel	Nipple			
9	1				1134-4111-01 Bromsarm	Brake arm			
10	1				1134-4164-03 Bromsklots	Brake pad			
11	2				9699-0035-02 Planbricka	Flat washer			
12	1				9897-0825-16 Skruv	Screw			
13	1				9747-0831-02 Mutter	Lock nut			
14	1				9699-0090-02 Planbricka	Flat washer			
15	1				9699-0025-02 Planbricka	Washer			
16	1				9747-0631-02 Låsmutter	Lock nut			
17	1				4231-0013-00 Fjäder	Spring			
18	1				1134-4231-01 Dragfjäder	Spring			
19	1				1134-1565-10 Distans	Spacer			
20	1				9997-0860-16 Skruv	Screw			
21	1				9699-0056-02 Planbricka	Flat washer			
22	1				9739-0831-22 Mutter	Nut			
23	1				1134-4163-01 Ansatsskruv	Shoulder bolt			
24	1				9699-0035-02 Planbricka	Flat washer			
25	1				9739-1031-22 Mutter	Nut			
26	1				1134-3958-01 Remstyrning	Belt guide			
27	2				9893-0616-16 Skruv	Screw			
28	1				1134-0041-03 Hylsa	Collar			
29	1				9997-1070-12 Skruv	Screw			
30	1				9739-1031-22 Mutter	Nut			



Utgåva Issue		Bildnr Picture No		PARK 4WD KRAFTUTTAG 2		PARK 4WD POWER TAKE- OFF 2		Sida Page	
2009- 11		2031A						148	
Pos. Fig.	Antal/Quantity				Art nr Part No	Benämning	Description	Sats Kit	Anmärkning Notes
	6178	6185	6196	6199					
1	1				1134- 1730- 01	Spännhjulssarm	Tension wheel arm		= 9585- 0148- 01
2	1				1134- 3663- 01	Spännrulle	Tension wheel		
3	1				1134- 1888- 05	Distans	Spacer		
4	1				1134- 1893- 01	Fjäderfäste	Spring attachment		
5	1				9739- 1031- 22	Mutter	Nut		
6	1				9997- 1060- 12	Skruv	Screw		
7	1				9699- 0035- 02	Planbricka	Flat washer		
8	1				1134- 5713- 01	Dragfjäder	Spring		
9	1				1134- 9098- 01	Drivrem	V- belt		
10	1				1134- 1769- 03	Centrumremskiva kpl.	Centre pulley assy		
11	1				1134- 0051- 09	• Distans	• Spacer		
12	2				9549- 0019- 00	• Kullager	• Ball bearing		
13	1				1134- 5548- 01	Distans	Spacer		
14	1				9699- 0035- 02	Planbricka	Flat washer		
15	1				1134- 0222- 00	Bricka	Washer		
16	1				9699- 0109- 02	Planbricka	Flat washer		
17	1				1134- 5663- 01	Axel	Shaft		
18	1				1134- 0052- 00	Lagerdistans	Bearing spacer		
19	1				1134- 1769- 03	Centrumremskiva kpl.	Centre pulley assy		
20	1				1134- 0051- 09	• Distans	• Spacer		
21	2				9549- 0019- 00	• Kullager	• Ball bearing		
22	1				9997- 1011- 06	Skruv	Screw		
23	2				9699- 0030- 02	Planbricka	Flat washer		
24	1				9739- 1031- 22	Mutter	Nut		
25	1				1134- 3654- 01	Fingerskydd	Finger guard		
26	2				9959- 0612- 16	Skruv	Screw		
27	2				9739- 0631- 22	Mutter	Nut		
28	1				1134- 5660- 01	Spännarm	Tension arm		
29	1				1134- 5823- 01	Spännrulle	Tension roller		
30	1				9997- 1050- 16	Skruv	Screw		
31	1				9739- 1031- 22	Mutter	Nut		
32	1				1134- 6314- 01	Spännarmsfäste	Attachment		
33	1				9997- 0645- 12	Skruv	Screw		
34	1				9747- 0631- 02	Låsmutter	Lock nut		
35	1				1134- 5824- 01	Fjäder	Spring		