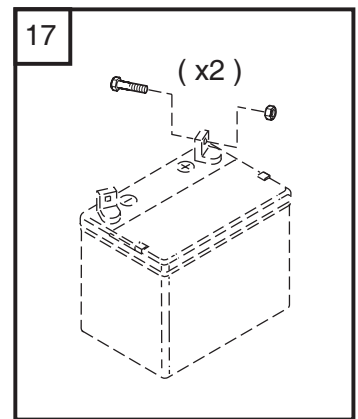
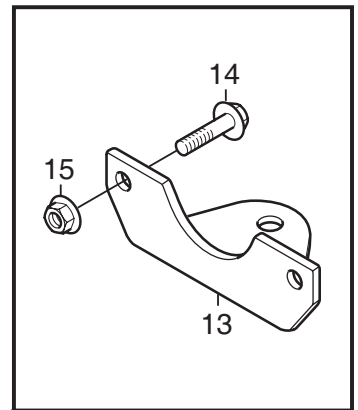
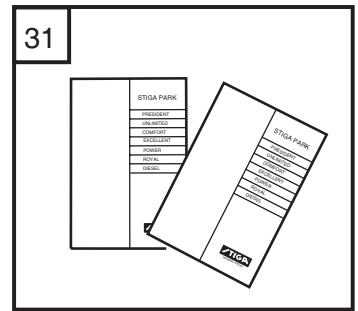
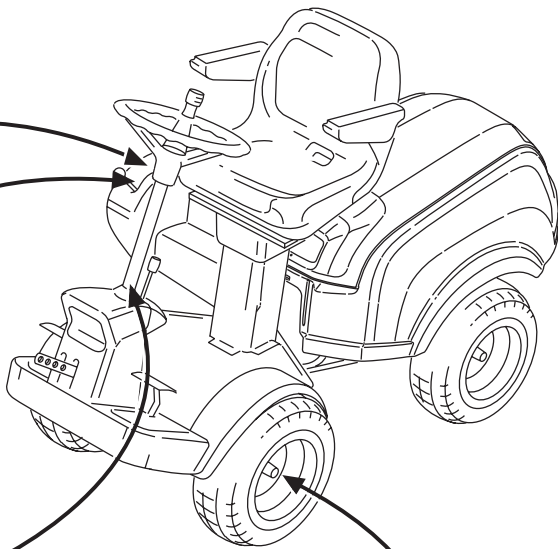
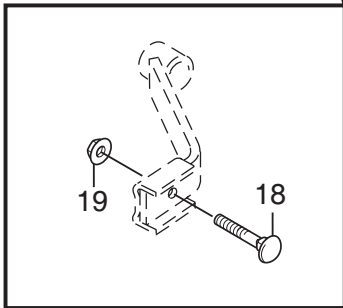
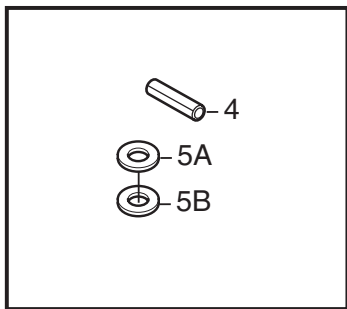
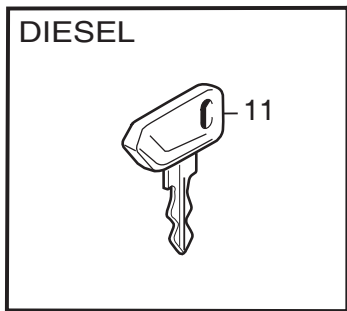
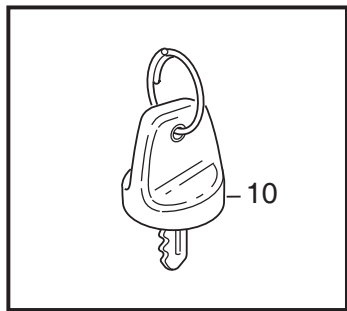
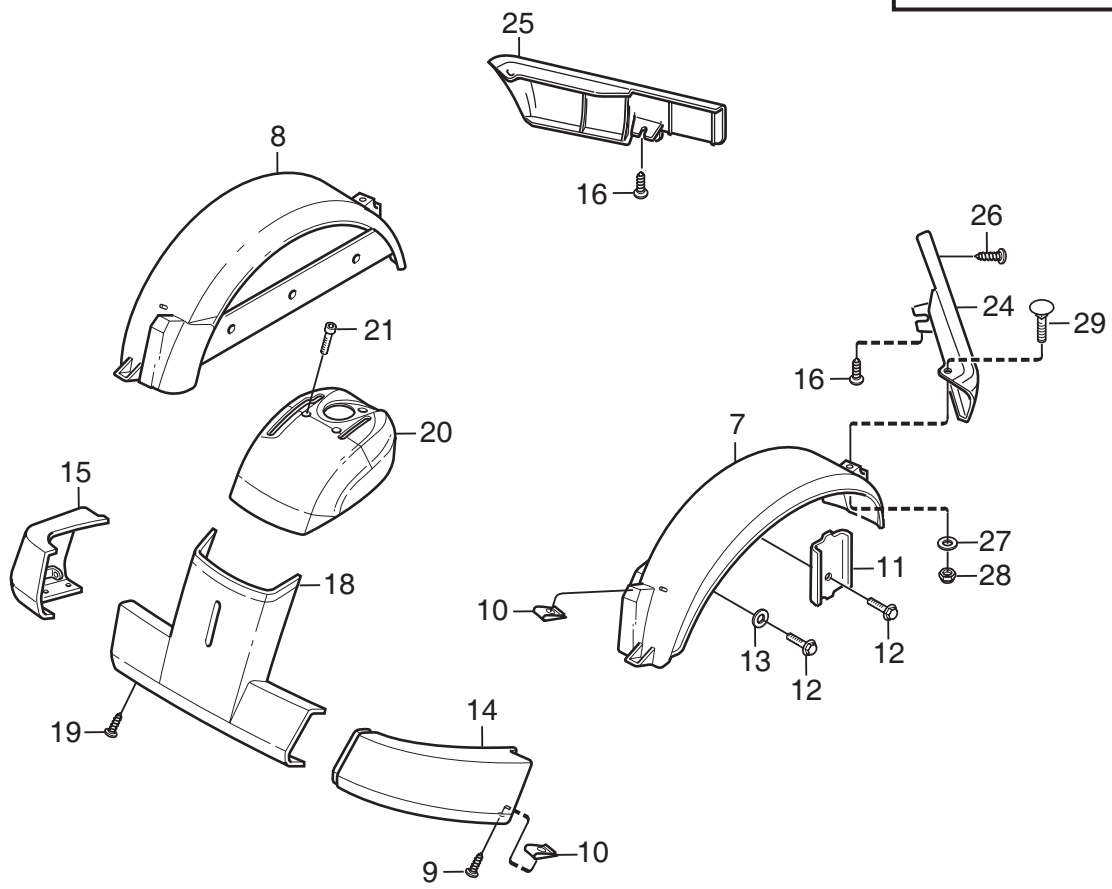
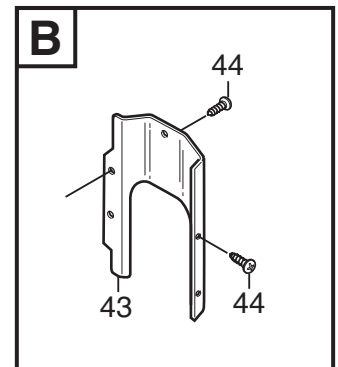
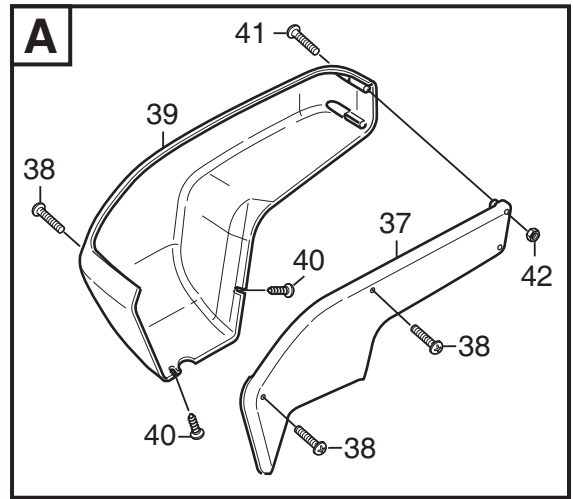
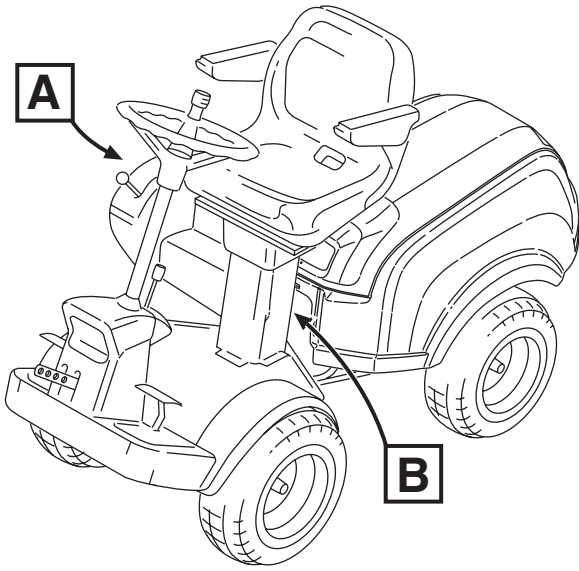


Genuine Spare Parts

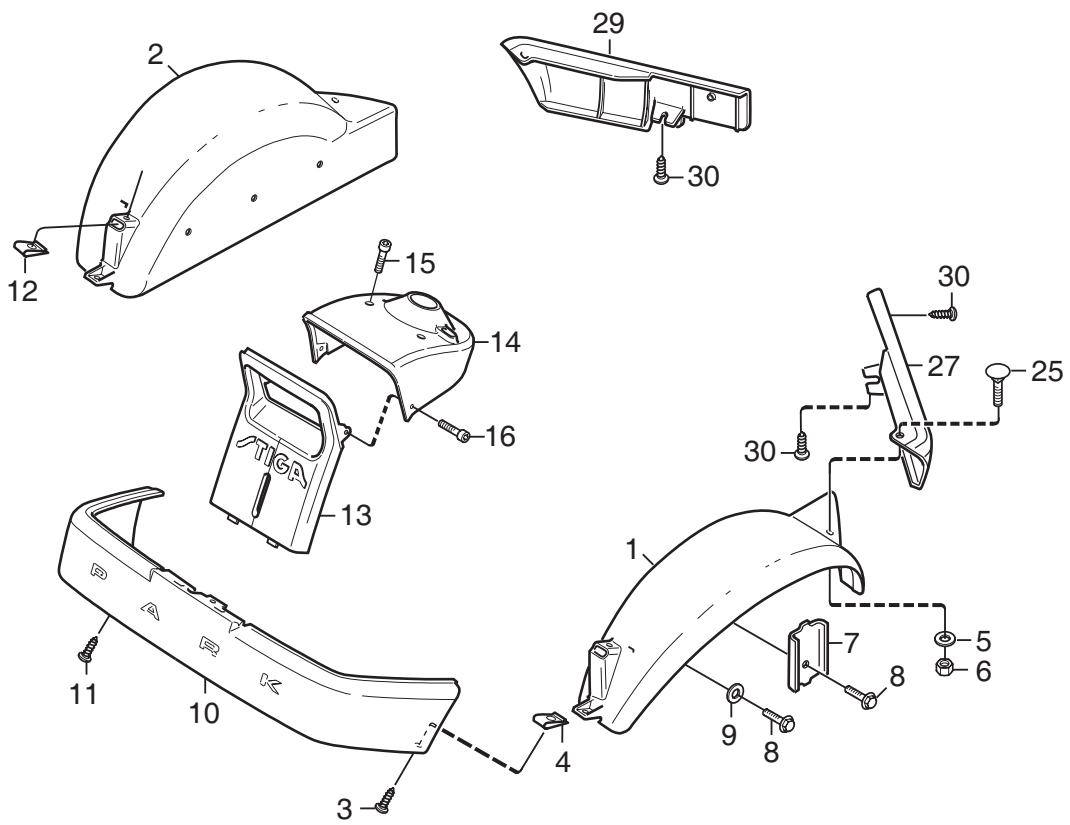
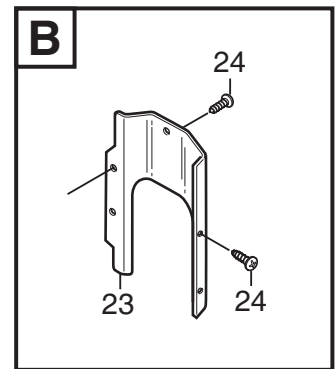
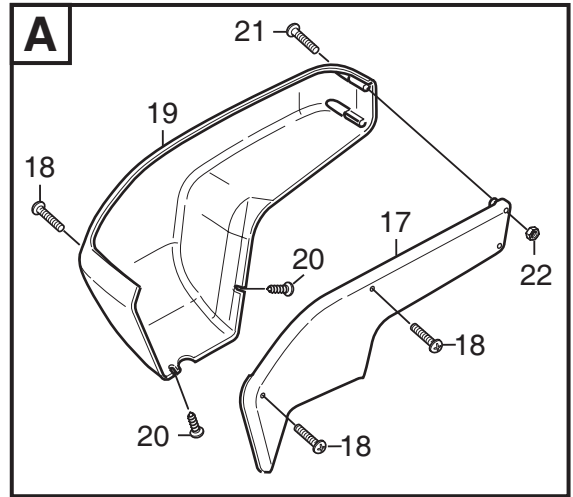
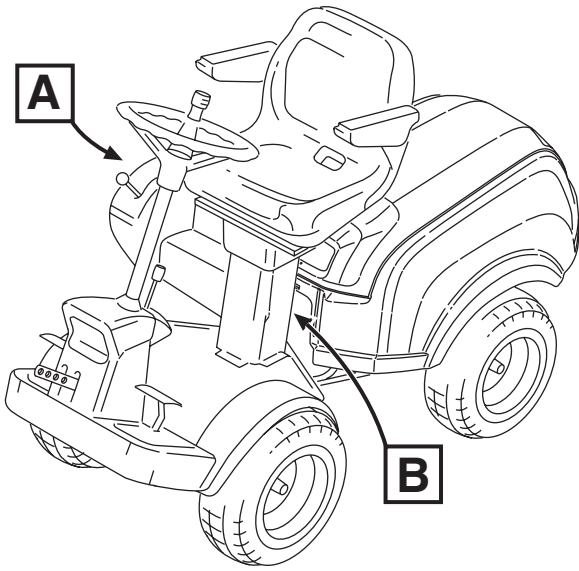




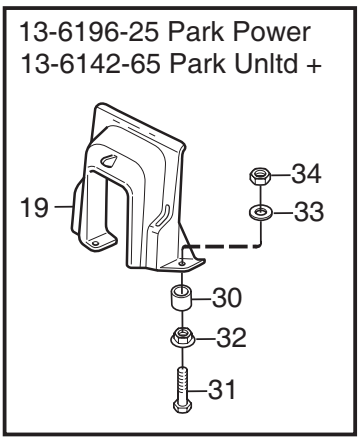
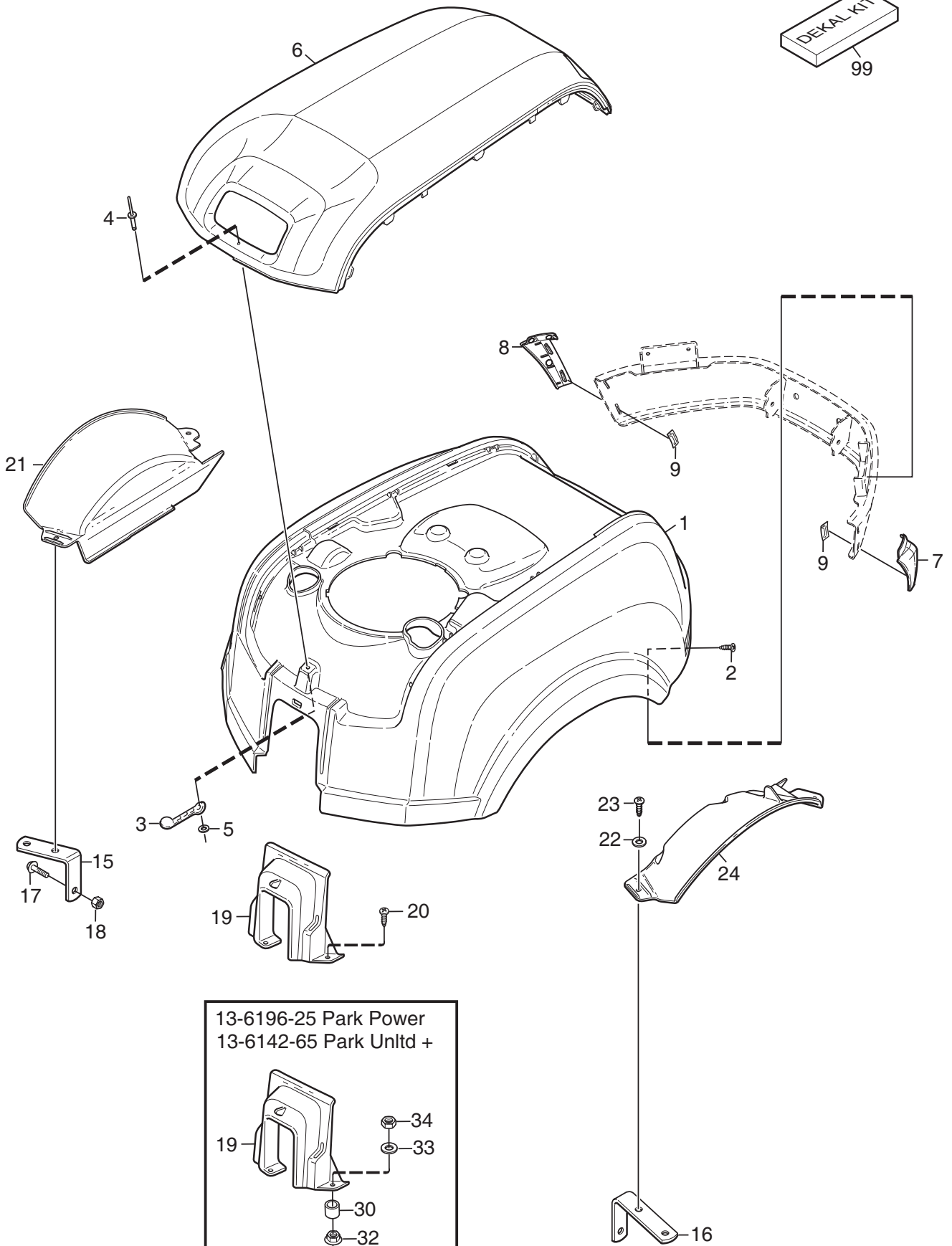
Utgåva Issue 2009- 11		Bildnr Picture No 2014A		PARK 2WD MONTERINGSDETALJER		PARK 2WD ASSEMBLY PARTS		Sida Page 60	
Pos. Fig.	Antal/Quantity				Art nr Part No	Benämning	Description	Sats Kit	Anmärkning Notes
	6141 6182 6198	6184 6189 6193	6180	6142 6144 6179					
4	1	1	1	1	9595-0262-00	Spännstift	Locating pin		
5A	1	1	1	1	9699-0103-02	Shims	Flat washer		0.5 mm
5B	1	1	1	1	9699-0114-02	Shims	Flat washer		1.0 mm
10	2	2		2	1134-4734-01	Tändningsnyckel.....	Ignition key		
11			2		1134-4909-01	Tändningsnyckel.....	Ignition key		
13	1	1	1	1	1134-5512-01	Dragplåt.....	Towing plate.....		
14	2	2	2	2	9959-0820-16	Skruv.....	Screw.....		
15	2	2	2	2	9739-0831-22	Mutter.....	Nut		
17	1	1	1	1	1134-6113-02	Batteriskruvar	Battery screws		
18	2	2	2	2	9898-1035-16	Skruv.....	Screw.....		
19	2	2	2	2	9739-1031-22	Mutter.....	Nut		
31	1	1		1	8211-0003-92	Bruksanvisning.....	Owner's manual		6182- 15, 6179-05
31			1		8211-0007-90	Bruksanvisning.....	Owner's manual		
31	1				8211-0020-90	Bruksanvisning.....	Owner's manual		6141-55, 6198-55
31				1	8211-0042-90	Bruksanvisning.....	Owner's manual		6142- 65
31				1	8211-0072-90	Bruksanvisning.....	Owner's manual		6144- 75
31	1	1	1	1	8211-0604-90	Monteringsanvisning.....	Assy instructions		
31	1	1	1	1	8211-0701-91	Säkerhetsföreskrifter	Safety regulations		
31	1	1		1	8211-0901-90	Servicebok.....	Service book		
31			1		8211-0902-90	Servicebok.....	Service book		
31	1	1	1	1	8211-0960-90	Garantikort.....	Warranty card		



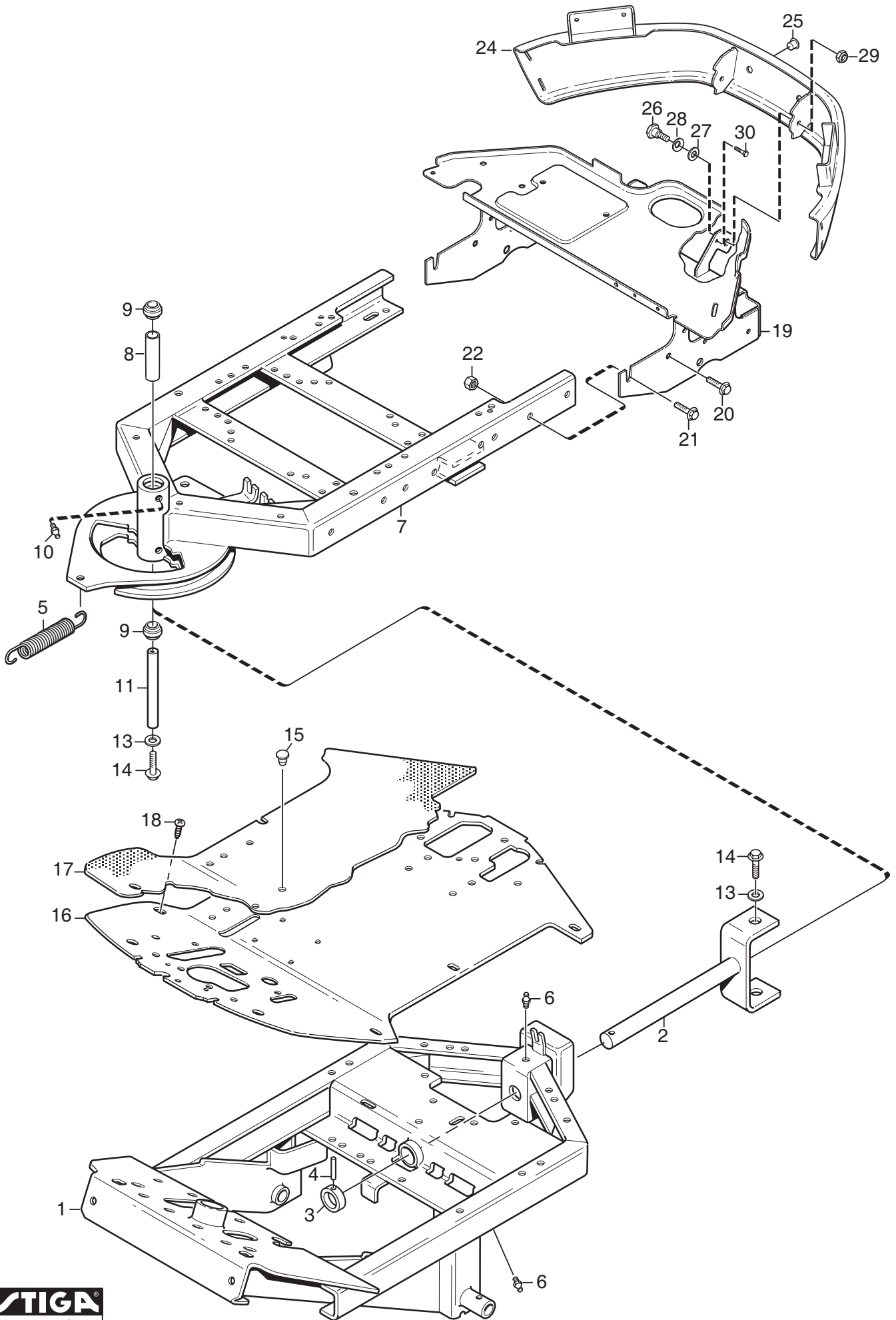
Utgåva Issue 2009- 11		Bildnr Picture No 2405		PARK 2WD SILENT 14 75 YEARS LTD EDITION KAROSS-FRAM		PARK 2WD SILENT 14 75 YEARS LTD EDITION BODY WORK-FRONT		Sida Page 62	
Pos. Fig.	Antal/Quantity				Art nr Part No	Benämning	Description	Sats Kit	Anmärkning Notes
	6144 6198								
7	1				1134-5308-01	Stänkskärm vä- grå.....	Mud guard LH- grey		
8	1				1134-5308-02	Stänkskärm hö- grå	Mud guard RH- grey.....		
9	4				9893-0616-16	Skruv	Screw		
10	4				1134-4176-01	Clips	Clips		
11	2				1134-0225-00	Stödplåt	Support plate		
12	6				9945-0816-16	Skruv	Screw		
13	4				9699-0056-02	Planbricka.....	Flat washer.....		
14	1				1134-5306-01	Stötfångare, front- vä.....	Bumper, front- LH		
15	1				1134-5306-02	Stötfångare, front- hö	Bumper, front- RH		
16	2				9893-0616-16	Skruv	Screw		
18	1				1134-5305-01	Front- nedre	Front plate- lower		
19	2				9893-0616-16	Skruv	Screw		
20	1				1134-5304-01	Front- övre	Front- upper		
21	2				9946-0525-16	Skruv	Screw		
24	1				1134-3970-05	Kantlist- vä, grå.....	Moulding- LH, grey		
25	1				1134-3970-02	Kantlist- hö, grå	Moulding- RH, grey.....		
26	2				9893-0616-16	Skruv	Screw		
27	2				9699-0060-02	Planbricka.....	Flat washer.....		
28	2				9747-0631-02	Låsmutter	Lock nut		
29	2				9897-0616-16	Vagnsbult	Carriage bolt		
37	1				1134-4360-01	Kåpa- inre	Cover- inner		
38	3				9946-0525-16	Skruv	Screw		
39	1				1134-3979-01	Kåpa- yttre	Cover- outer		
40	2				9840-8013-16	Skruv	Screw		
41	2				9950-0570-12	Skruv	Screw		
42	2				9747-0531-02	Mutter.....	Nut		
43	1				1134-6461-01	Bakstycke	Rear plate.....		
44	4				9893-0616-16	Skruv	Screw		



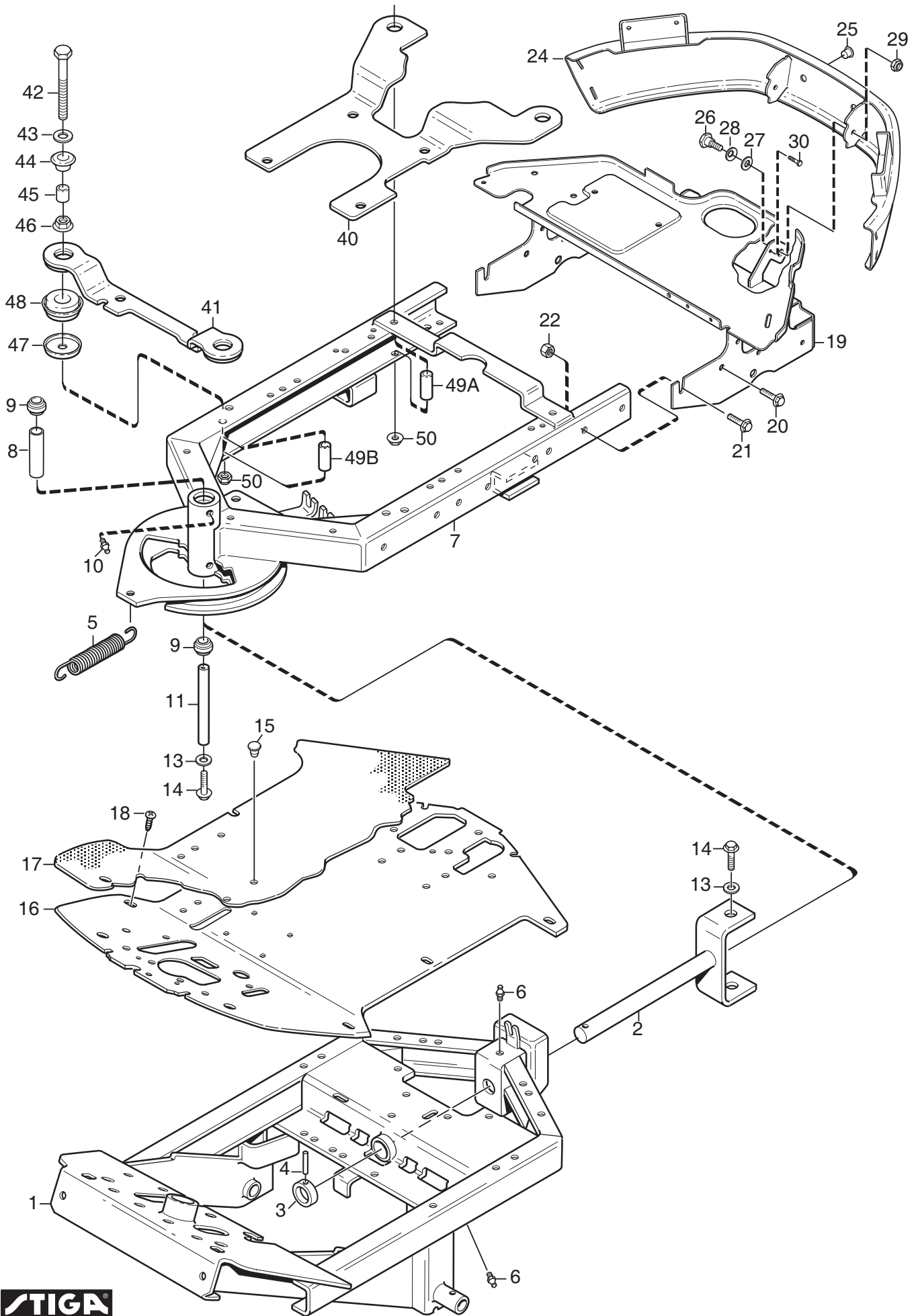
Utgåva Issue 2009- 11		Bildnr Picture No 2015B		PARK 2WD KAROSS-FRAM		PARK 2WD BODY WORK- FRONT		Sida Page 64	
Pos. Fig.	Antal/Quantity				Art nr Part No	Benämning	Description	Sats Kit	Anmärkning Notes
	6141 6182 6184	6193	6142 6179 6189	6180					
1	1	1	1	1	1134-3943-01	Skärm- vä, gul	Mud guard- LH, yell.....		
2	1	1	1	1	1134-3943-02	Skärm- hö, gul	Mud guard- RH, yell.		
3	2	2	2	2	9893-0616-16	Skruv	Screw		
4	4	4	4	4	1134-4176-01	Clips	Clips		
5	2	2	2	2	9699-0060-02	Planbricka.....	Flat washer.....		
6	2	2	2	2	9747-0631-02	Låsmutter	Lock nut		
7	2	2	2	2	1134-0225-00	Stödplåt	Support plate		
8	6	6	6	6	9945-0816-16	Skruv	Screw		
9	4	4	4	4	9699-0056-02	Planbricka.....	Flat washer.....		
10	1	1	1	1	1134-4220-02	Stötfångare- grå.....	Bumper- grey		
11	6	6	6	6	9893-0616-16	Skruv	Screw		
12	2	2	2	2	1134-4176-01	Clips	Clips		
13	1	1	1	1	1134-4216-05	Frontdekor- gul	Front plate- yellow.....		
14	1	1	1	1	1134-3984-03	Frontdekor övre- gul	Front plate upper- yel		
15	2	2	2	2	9946-0525-16	Skruv	Screw		
16	2	2	2	2	9840-8013-16	Skruv	Screw		
17	1	1	1	1	1134-4360-01	Kåpa- inre	Cover- inner		
18	3	3	3	3	9946-0525-16	Skruv	Screw		
19	1	1	1	1	1134-3979-01	Kåpa- yttre	Cover- outer		
20	2	2	2	2	9840-8013-16	Skruv	Screw		
21	2	2	2	2	9950-0570-12	Skruv	Screw		
22	2	2	2	2	9747-0531-02	Mutter.....	Nut		
23	1	1	1	1	1134-6461-01	Bakstycke	Rear plate.....		
24	4	4	4	4	9893-0616-16	Skruv	Screw		
25	2	2	2	2	9897-0616-16	Vagnsbult	Carriage bolt		
27	1	1	1	1	1134-3970-05	Kantlist- vä, grå.....	Moulding- LH, grey		
29	1	1	1	1	1134-3970-02	Kantlist- hö, grå	Moulding- RH, grey		
30	4	4	4	4	9893-0616-16	Skruv	Screw		



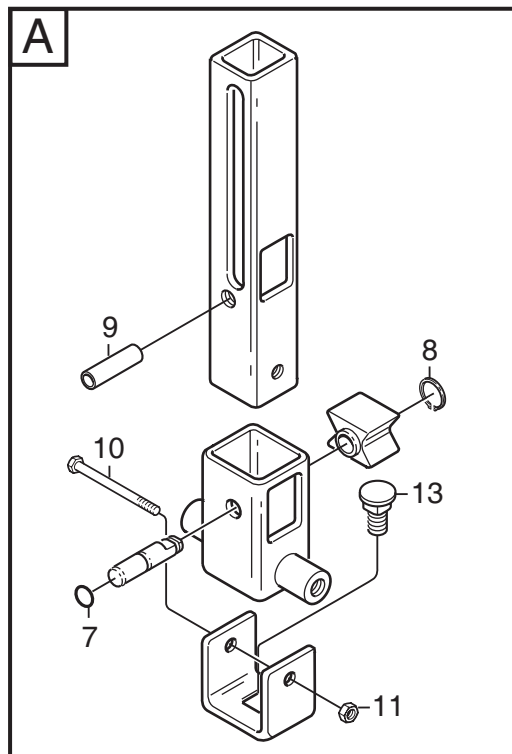
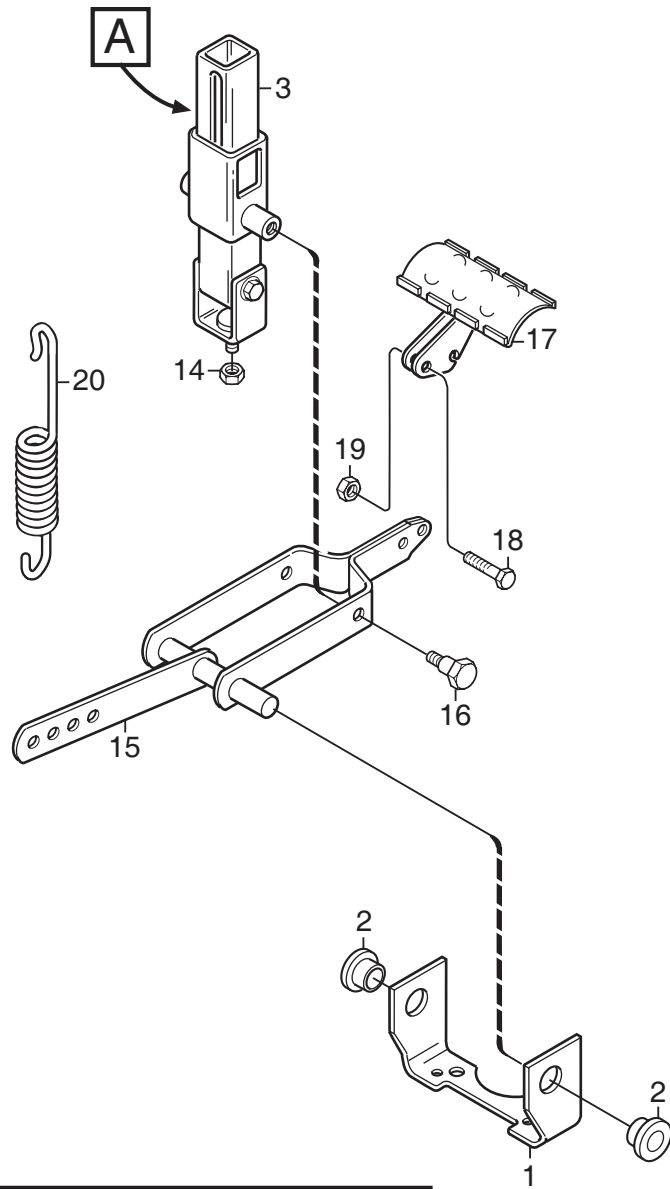
Utgåva Issue 2009- 11		Bildnr Picture No 2016C		PARK 2WD KAROSS- BAK		PARK 2WD BODY WORK- REAR		Sida Page 66	
Pos. Fig.	Antal/Quantity				Art nr Part No	Benämning	Description	Sats Kit	Anmärkning Notes
	6141 6182 6184 6198	6193	6142 6179 6189	6144 6180					
1	1	1	1	1	1134- 6025- 01	Motorhuv.....	Engine hood		
1				1	1137- 0024- 01	Motorhuv.....	Engine hood		13- 6142- 65
2	4	4	4	4	9893- 0616- 16	Skruv.....	Screw.....		
3	1	1	1	1	1134- 9028- 01	Gummistropp- sats.....	Rubber strap kit		Sats 3 st/kit of 3
4	1	1	1	1	9632- 0513- 00	Popnit.....	Pop rivet		
5	1	1	1	1	9699- 0120- 02	Bricka.....	Washer.....		
6	1	1	1	1	1134- 6026- 01	Motorlucka.....	Engine cover		
7	1	1	1	1	1134- 6027- 01	Ändavslut- vä.....	Bumper end- LH.....		
8	1	1	1	1	1134- 6027- 02	Ändavslut- hö.....	Bumper end- RH.....		
9	4	4	4	4	1134- 6310- 01	Clips.....	Clips.....		
15				1	1134- 4012- 03	Stödkonsol- hö.....	Support- RH.....		
16				1	1134- 4012- 04	Stödkonsol- vä.....	Support- LH.....		
17				1	9959- 0820- 16	Skruv.....	Screw.....		
18				1	9739- 0831- 22	Mutter.....	Nut.....		
19	1	1	1	1	1134- 6241- 01	Huvstöd.....	Hood support.....		
20	3	3	3	3	9893- 0616- 16	Skruv.....	Screw.....		
21				1	1134- 4800- 01	Innerskärm- hö.....	Inner mud guard- RH.....		
22				4	9699- 0060- 02	Planbricka.....	Flat washer.....		
23				4	9893- 0616- 16	Skruv.....	Screw.....		
24				1	1134- 4801- 01	Innerskärm- vä.....	Inner mud guard- LH.....		
30				3	1137- 0020- 01	Distans.....	Spacer.....		13- 6142- 65
31				3	9997- 0535- 16	Skruv.....	Screw.....		13- 6142- 65
32				3	9739- 0531- 22	Mutter.....	Nut.....		13- 6142- 65
33				3	9699- 0099- 02	Bricka.....	Washer.....		13- 6142- 65
34				3	9747- 0531- 02	Mutter.....	Nut.....		13- 6142- 65
99				1	1134- 4593- 08	Dekalsats.....	Decal kit.....		Diesel
99	1				1134- 6443- 01	Dekalsats.....	Decal kit.....		Comfort
99	1				1134- 6443- 03	Dekalsats.....	Decal kit.....		President
99				1	1134- 6443- 04	Dekalsats.....	Decal kit.....		Excellent
99	1				1134- 6443- 05	Dekalsats.....	Decal kit.....		Unlimited
99		1	1		1134- 6443- 09	Dekalsats.....	Decal kit.....		Ranger



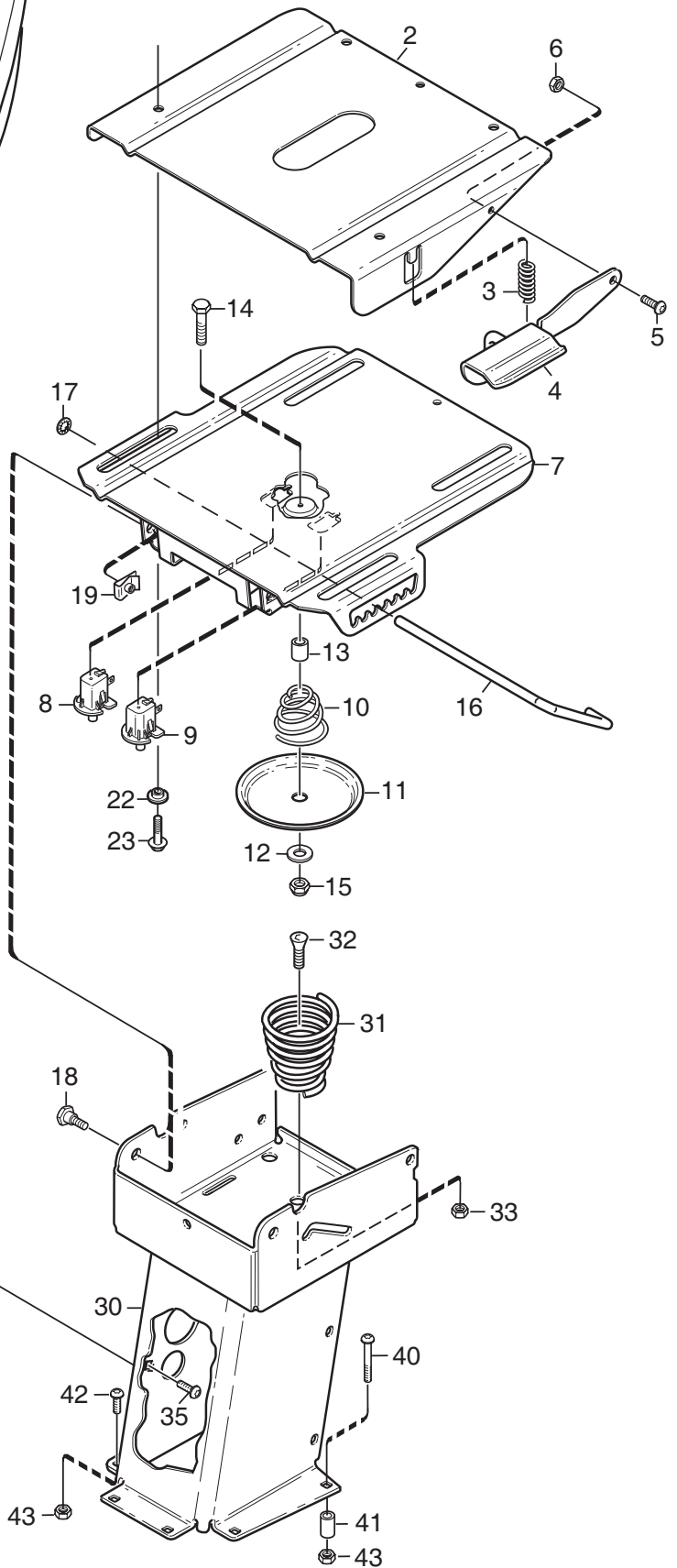
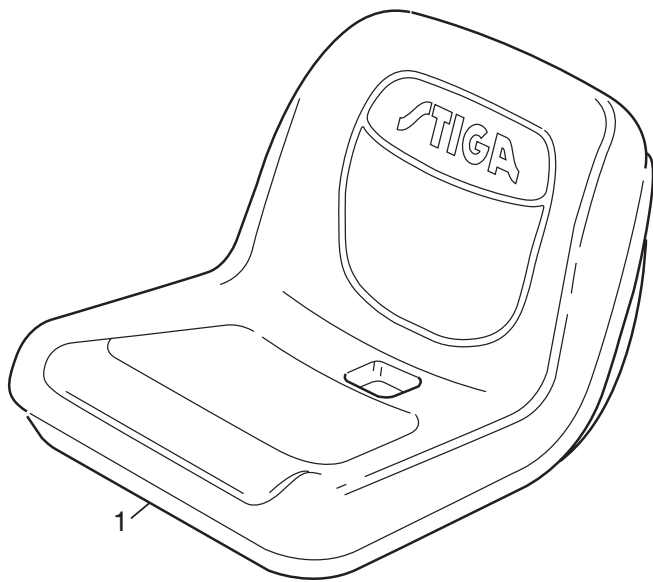
Utgåva Issue 2009- 11		Bildnr Picture No 2017A		PARK 2WD BENSIN RAM		PARK 2WD PETROL FRAME		Sida Page 68	
Pos. Fig.	Antal/Quantity				Art nr Part No	Benämning	Description	Sats Kit	Anmärkning Notes
	6141 6142 6144 6179	6182 6184 6189		6193					
1	1	1	1		1134-5315-03	Ram- främre	Frame- front		
2	1	1	1		1134-3963-02	• Midjegaffel	• Clevis		
3	1	1	1		1134-0031-00	• Ledaxelstopp	• Pivot shaft stop		
4	1	1	1		9595-0262-00	• Spännstift	• Locating pin		
5	1	1	1		1134-2171-01	Fjäder.....	Spring		
6	2	2	2		9501-0500-00	Smörjnippel	Grease joint.....		
7	1	1	1		1134-6466-01	Ram- bakre	Frame- rear.....		
8	1	1	1		1134-5705-01	• Distans	• Spacer.....		
9	2	2	2		9547-0001-00	• Ledlager.....	• Bearing.....		
10	2	2	2		9501-0500-00	• Smörjnippel	• Grease joint.....		
11	1	1	1		1134-5988-01	Centrumaxel	Centre shaft.....		
13	2	2	2		9699-0035-02	Planbricka.....	Flat washer.....		
14	2	2	2		9959-1025-16	Skruv.....	Screw.....		
15	2	2	2		9403-0048-70	Täckpropp	Plug		
16	1	1	1		1134-5294-01	Durk.....	Floor plate		
17	1	1	1		1134-6372-04	Durkmatta.....	Floor mat.....		
18	2	2	2		9893-0616-16	Skruv.....	Screw.....		
19	1	1	1		1134-5944-01	Tankhylla.....	Tank shelf.....		
20	2	2	2		9945-0816-16	Skruv.....	Screw.....		
21	2	2	2		9959-0820-16	Skruv.....	Screw.....		
22	2	2	2		9739-0831-22	Mutter.....	Nut.....		
24	1	1	1		1134-5676-01	Stötfångare.....	Bumper		
25	2	2	2		1134-4100-01	Täckpropp	Plug		
26	2	2	2		1134-0240-00	Ansatsskruv.....	Shoulder screw		
27	2	2	2		1134-4242-01	Distansbricka.....	Spacer washer		
28	2	2	2		9665-0002-00	Brickfjäder	Bowed washer.....		
29	2	2	2		9747-0831-02	Mutter.....	Lock nut.....		
30	2	2	2		9943-0516-16	Skruv.....	Screw.....		



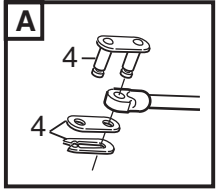
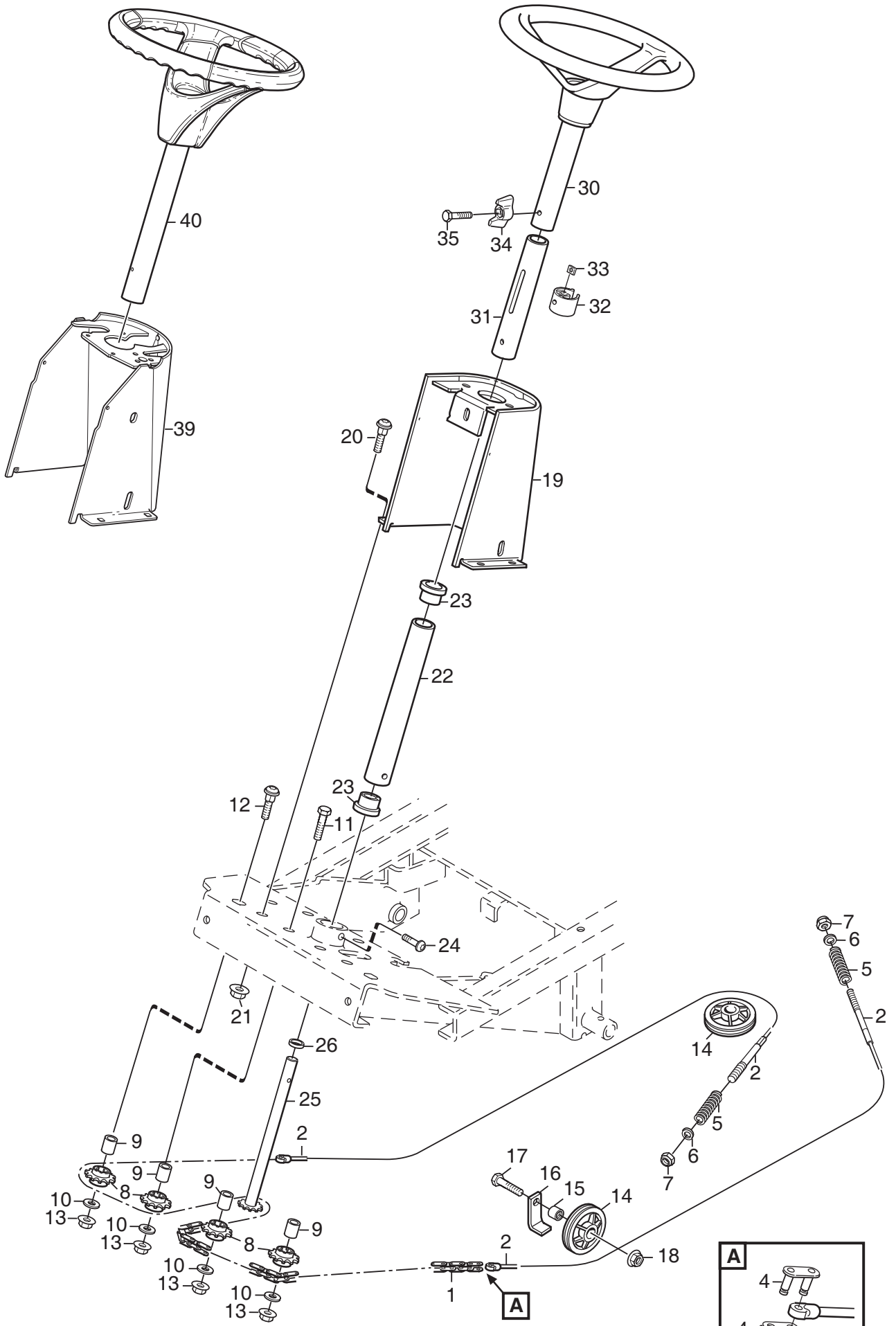
Utgåva Issue 2009- 11		Bildnr Picture No 2018B		PARK 2WD DIESEL RAM		PARK 2WD DIESEL FRAME		Sida Page 70	
Pos. Fig.	Antal/Quantity				Art nr Part No	Benämning	Description	Sats Kit	Anmärkning Notes
	6180								
1	1				1134-5315-03	Ram- främre	Frame- front		
2	1				1134-3963-02	• Midjegaffel	• Clevis		
3	1				1134-0031-00	• Ledaxelstopp	• Pivot shaft stop		
4	1				9595-0262-00	• Spännstift	• Locating pin		
5	1				1134-2171-01	Fjäder.....	Spring		
6	2				9501-0500-00	Smörjnippel	Grease joint.....		
7	1				1134-6046-01	Ram- bakre	Frame- rear.....		
8	1				1134-5705-01	• Distans	• Spacer		
9	2				9547-0001-00	• Ledlager.....	• Bearing.....		
10	2				9501-0500-00	• Smörjnippel	• Grease joint.....		
11	1				1134-5988-01	Centrumaxel	Centre shaft.....		
13	2				9699-0035-02	Planbricka.....	Flat washer.....		
14	2				9959-1025-16	Skruv.....	Screw.....		
15	2				9403-0048-70	Täckpropp	Plug		
16	1				1134-5294-01	Durk.....	Floor plate		
17	1				1134-6372-04	Durkmatta.....	Floor mat.....		
18	2				9893-0616-16	Skruv.....	Screw.....		
19	1				1134-5944-01	Tankhylla.....	Tank shelf.....		
20	2				9945-0816-16	Skruv.....	Screw.....		
21	2				9959-0820-16	Skruv.....	Screw.....		
22	2				9739-0831-22	Mutter.....	Nut		
24	1				1134-5676-01	Stötfångare.....	Bumper		
25	2				1134-4100-01	Täckpropp	Plug		
26	2				1134-0240-00	Ansatsskruv.....	Shoulder screw		
27	2				1134-4242-01	Distansbricka.....	Spacer washer		
28	2				9665-0002-00	Brickfjäder	Bowed washer.....		
29	2				9747-0831-02	Mutter.....	Lock nut.....		
30	2				9943-0516-16	Skruv.....	Screw.....		
40	1				1134-6037-01	Motorstag.....	Engine support.....		
41	1				1134-4918-01	Motorstag- fram.....	Engine support- front.....		
42	4				9997-1011-06	Skruv.....	Screw.....		
43	4				9699-0030-02	Planbricka.....	Flat washer.....		
44	4				1111-2453-01	Isolering	Grommet.....		
45	4				1134-4919-01	Distans	Spacer		
46	4				9739-1031-22	Mutter.....	Nut		
47	4				1134-4915-01	Stödkopp	Support cup		
48	4				1134-4920-01	Dämpement	Vibration absorber		
49A	2				1134-0041-03	Hylsa	Collar		L = 55 mm
49B	2				1134-6887-01	Hylsa	Collar		L = 51,2 mm
50	4				9731-1031-22	Mutter.....	Nut.....		



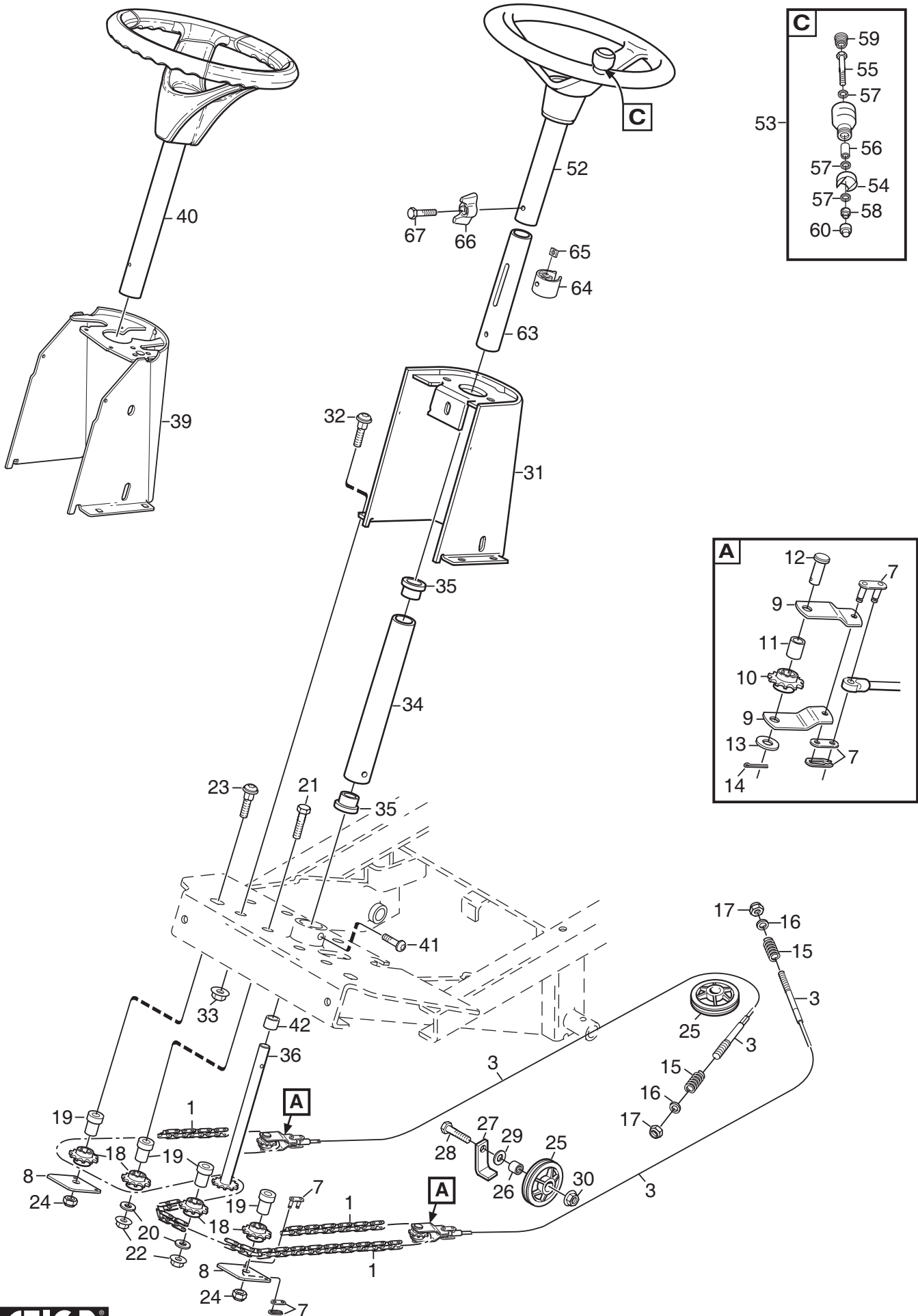
Utgåva Issue 2009- 11		Bildnr Picture No 1023D			PARK 2WD PEDALLYFT		PARK 2WD PEDAL LIFT		Sida Page 72	
Pos. Fig.	Antal/Quantity				Art nr Part No	Benämning	Description	Sats Kit	Anmärkning Notes	
	6141 6142 6144 6179	6182 6184 6189	6180 6193 6198							
1	1	1	1		1134-4117-01	Fäste	Bracket			
2	2	2	2		1134-2684-01	Lager	Bearing			
3	1	1	1		1134-4945-01	Lyftspärr kpl	Lift catch assy			
7	1	1	1		9404-0027-01	• O- ring	• O- ring			
8	1	1	1		9650-0039-04	• Seegersäkring	• Lock ring			
9	1	1	1		9595-0276-01	• Spännstift	• Locating pin			
10	1	1	1		9997-0640-12	• Skruv	• Screw			
11	1	1	1		9747-0631-02	• Låsmutter	• Lock nut			
13	1	1	1		9897-0820-16	• Skruv	• Screw			
14	1	1	1		9747-0831-02	Mutter	Lock nut			
15	1	1	1		1134-4860-01	Lyftgaffel	Lift fork			
16	2	2	2		1134-0240-00	Ansatskruv	Shoulder screw			
17	1	1	1		1134-4938-01	Lyftpedal	Lift pedal			
18	2	2	2		9997-0625-16	Skruv	Screw			
19	2	2	2		9739-0631-22	Mutter	Nut			
20	1	1	1		4231-0013-00	Fjäder	Spring			



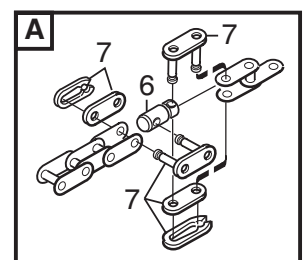
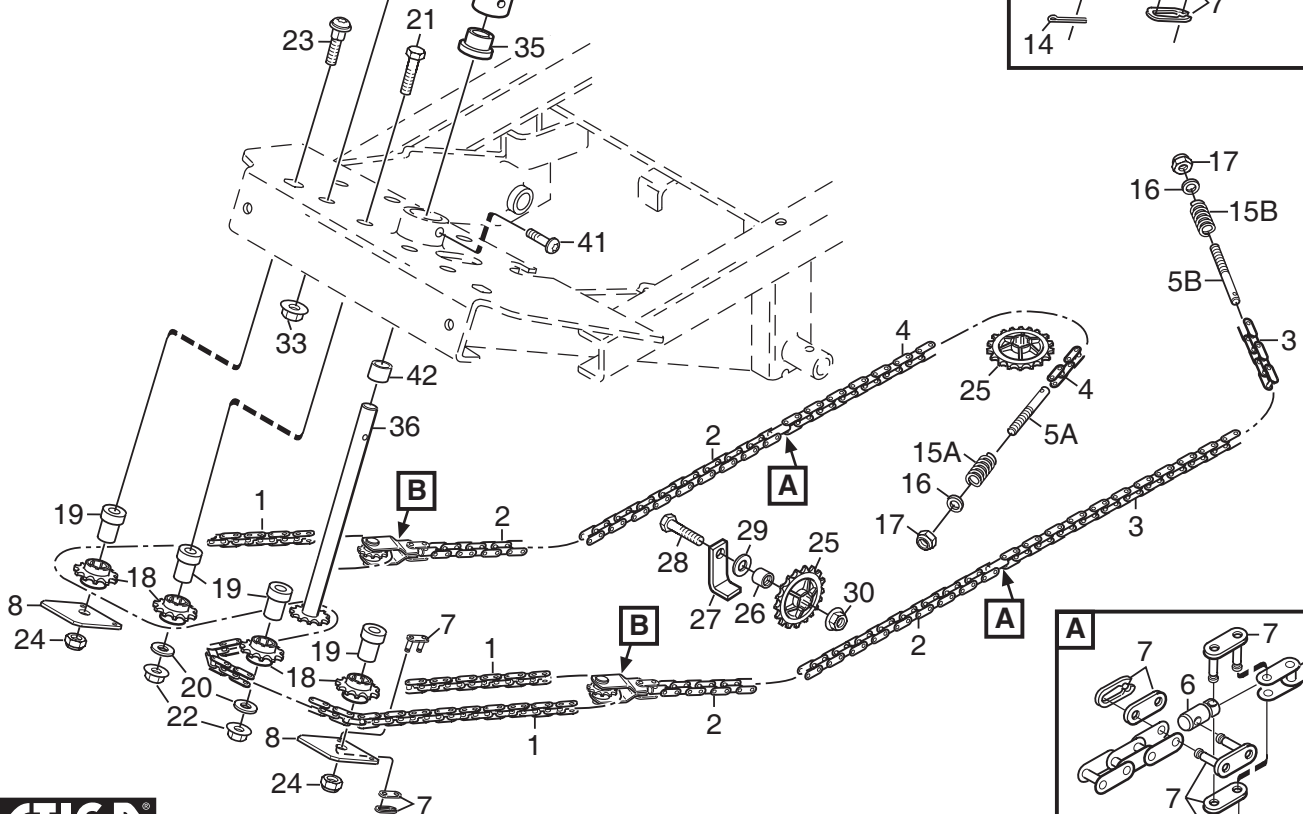
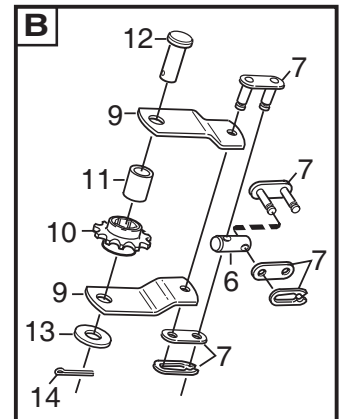
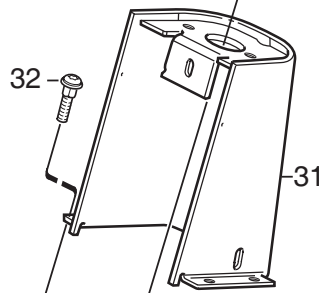
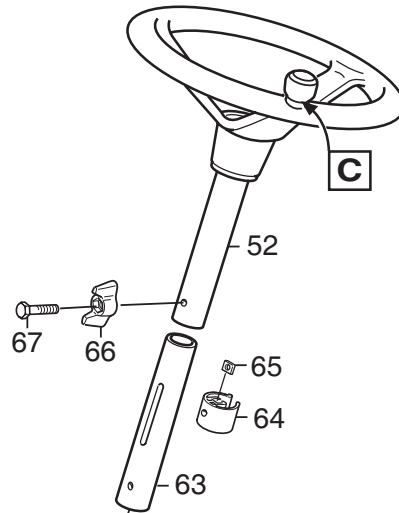
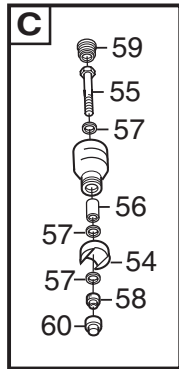
Utgåva Issue 2009- 11		Bildnr Picture No 2019A			PARK 2WD SITS		PARK 2WD SEAT		Sida Page 74	
Pos. Fig.	Antal/Quantity				Art nr Part No	Benämning	Description	Sats Kit	Anmärkning Notes	
	6141 6142 6144 6179	6182 6184 6189	6180	6193 6198						
1	1	1	1	1	1134-6444-01	Sits	Seat			
2	1	1	1	1	1134-6090-01	Glidplatta	Slide plate			
3	1	1	1	1	1134-3262-01	Tryckfjäder	Compression spring			
4	1	1	1	1	1134-6073-01	Handtag	Handle			
5	1	1	1	1	9893-0616-16	Skruv	Screw			
6	1	1	1	1	9747-0631-02	Låsmutter	Lock nut			
7	1	1	1	1	1134-6068-01	Glidplatta- undre	Slide plate- lower			
8	1	1	2	1	1134-3156-01	Brytare (svart)	Switch (black)			
9	1	1	1	1	1134-3156-02	Brytare (grå)	Switch (grey)			
10	1	1	1	1	1134-5302-01	Fjäder	Spring			
11	1	1	1	1	1134-5299-01	Tryckplatta	Push plate			
12	1	1	1	1	9699-0090-02	Planbricka	Flat washer			
13	1	1	1	1	1134-1565-06	Distans	Spacer			
14	1	1	1	1	9997-0840-16	Skruv	Screw			
15	1	1	1	1	9747-0831-02	Mutter	Lock nut			
16	1	1	1	1	1134-5179-01	Spärr	Catch			
17	1	1	1	1	9675-0012-02	Starlock	Locking washer			
18	2	2	2	2	1134-0240-00	Ansatsskruv	Shoulder screw			
19	2	2	2	2	1134-4620-02	Fjädermutter	Spring nut			
22	4	4	4	4	1134-6078-01	Ansatsbricka	Flange washer			
23	4	4	4	4	9959-0820-16	Skruv	Screw			
30	1	1	1	1	1134-5698-01	Sitskonsol	Seat bracket			
31	1	1	1	1	1134-4256-01	Sitsfjäder	Seat spring			
32	1	1	1	1	9924-1235-19	Skruv	Screw			
33	1	1	1	1	9747-1231-02	Låsmutter	Lock nut			
34	1	1	1	1	1134-3990-01	Armsvep	Attachment- side panel			
35	2	2	2	2	9897-0820-16	Skruv	Screw			
36	2	2	2	2	9739-0831-22	Mutter	Nut			
37	1	1	1	1	1134-4130-01	Lock- undre	Cover- lower			
38	4	4	4	4	9840-8013-16	Skruv	Screw			
40	2	2	2	2	9897-0880-12	Skruv	Screw			
41	2	2	2	2	1134-1565-08	Distans	Spacer			
42	4	4	4	4	9897-0820-16	Skruv	Screw			
43	6	6	6	6	9747-0831-02	Mutter	Lock nut			



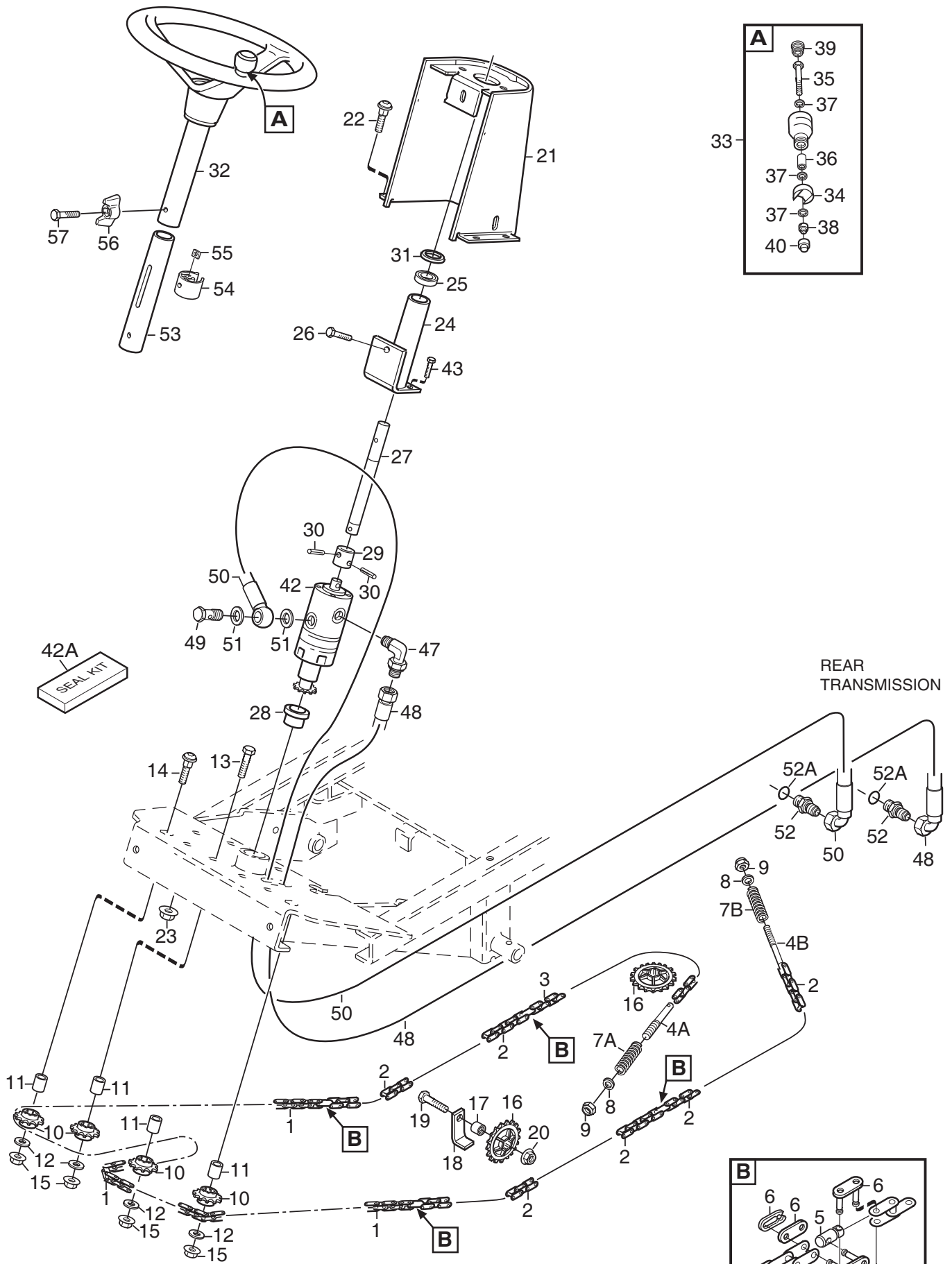
Utgåva Issue 2009-11		Bildnr Picture No 2406		PARK 2WD PRESIDENT- SILENT 14 STYRNING		PARK 2WD PRESIDENT- SILENT 14 STEERING		Sida Page 76	
Pos. Fig.	Antal/Quantity				Art nr Part No	Benämning	Description	Sats Kit	Anmärkning Notes
	6184	6144							
1	1	1			1134-6374-06	Kedja	Chain.....		83 länk Sats vä+hö/kit L+H Sats 2 st/kit of 2
2	1	1			1134-9084-01	Styrwire kpl (vä+hö).....	Steering cable assy.....		
4	2	2			1134-2824-02	Kedjelås	Chain lock		
5	2	2			1134-3817-01	Tryckfjäder.....	Compression spring.....		
6	2	2			9699-0090-02	Planbricka.....	Flat washer.....		
7	2	2			9747-0831-02	Mutter.....	Lock nut.....		
8	4	4			1134-2816-01	Kedjehjul.....	Sprocket.....		
9	4	4			1134-0041-02	Linhjulshylsa	Idler wheel bush.....		
10	4	4			9699-0035-02	Planbricka.....	Flat washer.....		
11	2	2			9997-1050-16	Skruv	Screw.....		
12	2	2			9897-1040-12	Skruv	Screw.....		
13	4	4			9739-1031-22	Mutter.....	Nut.....		
14	2	2			1134-9025-01	Linhjul- sats	Steering pulley- kit		
15	2	2			1134-0041-01	Linhjulshylsa	Bushing.....		
16	2	2			1134-0046-00	Linhållare.....	Wire clamp.....		
17	2	2			9997-1030-16	Skruv	Screw.....		
18	2	2			9739-1031-22	Mutter.....	Nut.....		
19	1				1134-4120-03	Styrkonsol.....	Steering console		
20	4	4			9897-0820-16	Skruv	Screw.....		
21	4	4			9739-0831-22	Mutter.....	Nut.....		
22	1				1134-1305-03	Rattrör- nedre	Steering column- lower		
22		1			1134-1305-05	Rattrör- nedre	Steering column- lower		
23	2	2			1134-1901-01	Lager	Bearing.....		
24	2	2			9893-0616-16	Skruv	Screw.....		
25	1				1134-2821-01	Rattstång	Steering rod		
25		1			1134-2821-03	Rattstång	Steering rod		
26	1	1			1134-2837-01	Distans	Spacer.....		
30	1				1134-5173-01	Ratt.....	Steering wheel		
31	1				1134-5216-01	Rattrör- inre kpl	Steering tube- inner.....		
32	1				1134-5177-01	• Slid	• Slide.....		
33	1				9710-0631-12	• Fyrkantmutter	• Square nut		
34	1				1134-4481-02	Vingmutter.....	Wing nut		
35	1				9997-0630-12	Skruv	Screw.....		
39		1			1134-5349-01	Styrkonsol- gul	Steering console- yel.....		
40		1			1134-5496-01	Ratt.....	Steering wheel		



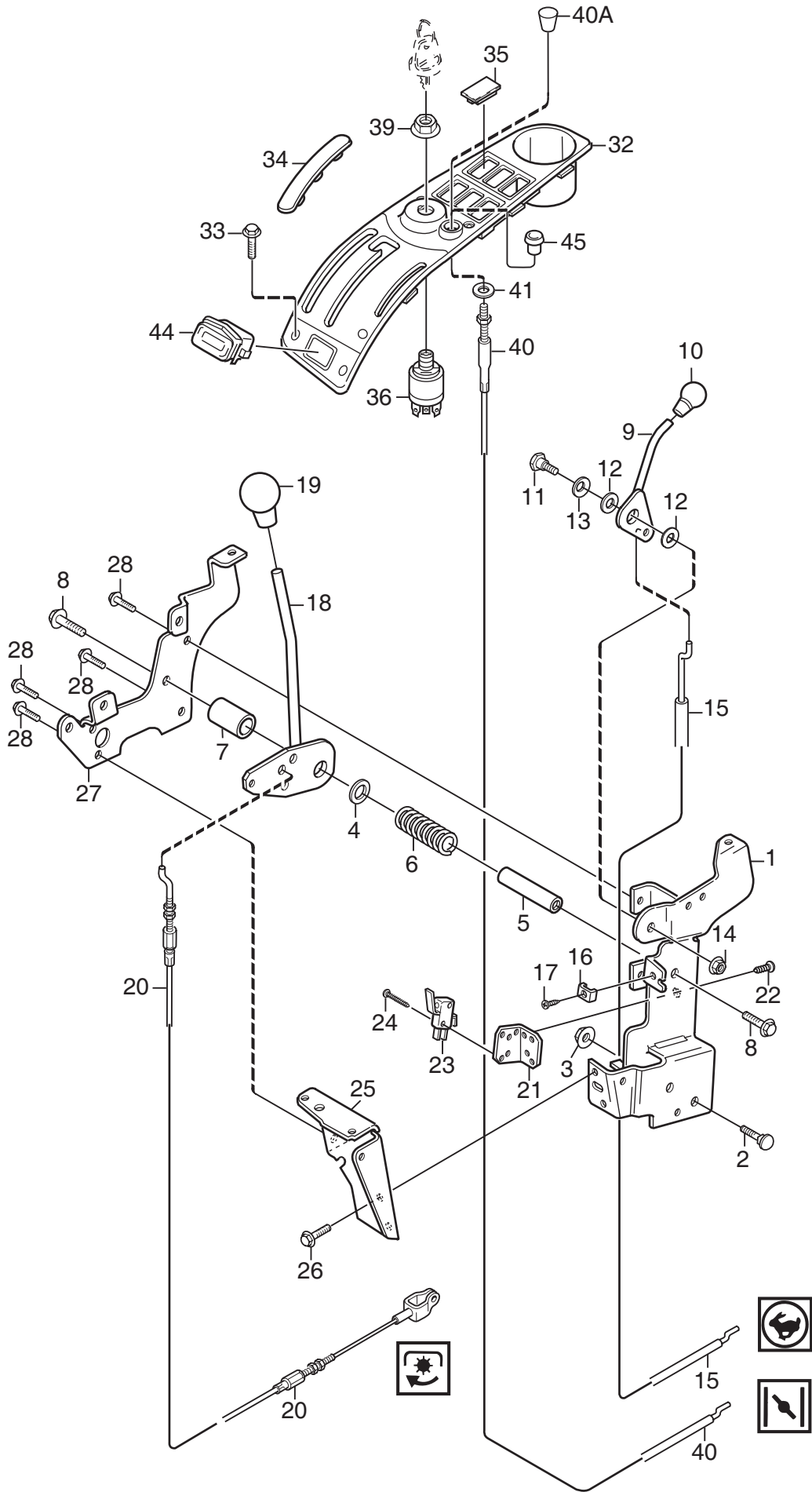
Utgåva Issue 2009- 11		Bildnr Picture No 2407A		PARK 2WD UNLIMITED 75 YEARS LTD EDITION STYRNING		PARK 2WD UNLIMITED 75 YEARS LTD EDITION STEERING		Sida Page 78	
Pos. Fig.	Antal/Quantity				Art nr Part No	Benämning	Description	Sats Kit	Anmärkning Notes
	6141	6198							
1	1	1			1134- 6374- 10	Kedja	Chain.....		129 länk Sats vä+hö/kit L+R
3	1	1			1134- 9099- 01	Styrwire kpl (vä+hö)	Steering cable assy		
7	4	4			1134- 2824- 02	Kedjelås	Chain lock		
8	2	2			1134- 5652- 01	Fäste	Attachment.....		
9	4	4			1134- 5651- 01	Bygel	Bracket.....		
10	2	2			1134- 2816- 01	Kedjehjul.....	Sprocket.....		
11	2	2			1134- 0041- 02	Linhjulshylsa	Idler wheel bush.....		
12	2	2			1134- 4817- 01	Kolvstängssprint.....	Pin		
13	2	2			9699- 0035- 02	Planbricka.....	Flat washer.....		
14	2	2			9599- 0054- 02	Saxpinne.....	Cotter pin		
15	2	2			1134- 3817- 01	Tryckfjäder.....	Compression spring.....		
16	2	2			9699- 0090- 02	Planbricka.....	Flat washer.....		
17	2	2			9747- 0831- 02	Mutter.....	Lock nut		
18	4	4			1134- 2816- 01	Kedjehjul.....	Sprocket.....		
19	4	4			1134- 5653- 01	Distans	Spacer		
20	2	2			9699- 0035- 02	Planbricka.....	Flat washer.....		
21	2	2			9997- 1060- 12	Skruv	Screw		
22	2	2			9739- 1031- 22	Mutter.....	Nut		
23	2	2			9897- 1060- 12	Skruv	Screw		
24	2	2			9731- 1031- 22	Mutter.....	Nut		
25	2	2			1134- 9025- 01	Linhjul- sats	Steering pulley- kit	Sats 2 st/kit of 2	
26	2	2			1134- 0041- 01	Linhjulshylsa	Bushing.....		
27	2	2			1134- 0046- 00	Linhållare.....	Wire clamp.....		
28	2	2			9997- 1040- 16	Skruv	Screw		
29	2	2			9699- 0035- 02	Planbricka.....	Flat washer.....		
30	2	2			9739- 1031- 22	Mutter.....	Nut		
31	1				1134- 4120- 03	Styrkonsol	Steering console		
32	4	4			9897- 0820- 16	Skruv	Screw		
33	4	4			9739- 0831- 22	Mutter.....	Nut		
34	1				1134- 1305- 03	Rattrör- nedre	Steering column- lower		
34		1			1134- 1305- 05	Rattrör- nedre	Steering column- lower		
35	2	2			1134- 1901- 01	Lager	Bearing.....		
36	1				1134- 2821- 04	Rattstång	Steering rod		
36		1			1134- 2821- 05	Rattstång	Steering rod		
39		1			1134- 5349- 01	Styrkonsol	Steering console		
40		1			1134- 5496- 01	Ratt.....	Steering wheel		
41	2	2			9893- 0616- 16	Skruv	Screw		
42	1	1			1134- 2837- 03	Distans	Spacer.....		
52	1				1134- 5173- 02	Ratt kpl.....	Steering wheel assy		
53	1				1134- 3769- 01	• Styrknopp kpl	• Steering wheel button		
54	1				1134- 3752- 01	•• Knoppfäste.....	•• Knob holder.....		
55	1				9997- 0870- 16	•• Skruv	•• Screw		
56	1				1134- 1565- 06	•• Distans.....	•• Spacer		
57	3				9699- 0090- 02	•• Planbricka.....	•• Flat washer		
58	1				9747- 0831- 02	•• Mutter	•• Lock nut		
59	1				9403- 0043- 70	•• Plugg	•• Plug		
60	1				9403- 0113- 00	•• Mutterhatt.....	•• Nut cap.....		
63	1				1134- 5216- 01	Rattrör- inre kpl	Steering tube- inner.....		
64	1				1134- 5177- 01	• Slid	• Slide.....		
65	1				9710- 0631- 12	• Fyrkantmutter	• Square nut		
66	1				1134- 4481- 02	Vingmutter.....	Wing nut		
67	1				9997- 0630- 12	Skruv	Screw.....		



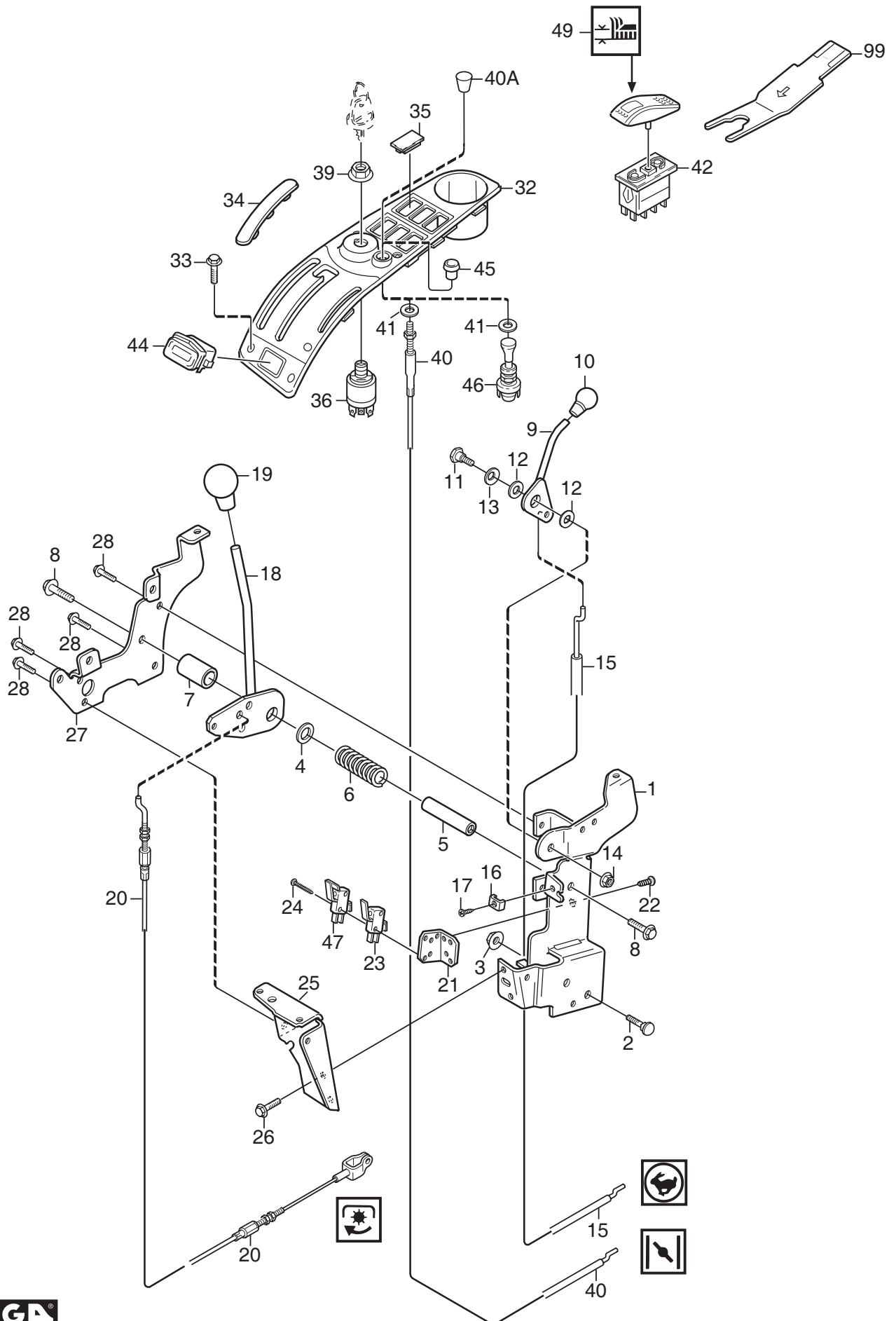
Utgåva Issue 2009- 11		Bildnr Picture No 1787A		PARK 2WD UNLTD PLUS- DIESEL- COMFORT- EXCELLENT STYRNING		PARK 2WD UNLTD PLUS- DIESEL- COMFORT- EXCELLENT STEERING		Sida Page 80	
Pos. Fig.	Antal/Quantity				Art nr Part No	Benämning	Description	Sats Kit	Anmärkning Notes
	6142 6180 6182	6189							
1	1	1			1134-6374-10	Kedja	Chain.....		129 länk
2	2	2			1134-6374-09	Kedja	Chain.....		35 länk
3	1	1			1134-6374-02	Kedja	Chain.....		41 länk
4	1	1			1134-6374-05	Kedja	Chain.....		47 länk
5A	1	1			1134-3550-01	Ändnippel	End nipple.....		L = 110 mm
5B	1	1			1134-3550-02	Ändnippel	End nipple.....		L = 90 mm
6	4	4			1134-3565-01	Skarvnippel.....	Connection nipple.....		
7	12	12			1134-2824-02	Kedjelås	Chain lock.....		
8	2	2			1134-5652-01	Fäste	Attachment.....		
9	4	4			1134-5651-01	Bygel	Bracket.....		
10	2	2			1134-2816-01	Kedjehjul.....	Sprocket.....		
11	2	2			1134-0041-02	Linhjulshylsa	Idler wheel bush.....		
12	2	2			1134-4817-01	Kolvstängssprint.....	Pin.....		
13	2	2			9699-0035-02	Planbricka.....	Flat washer.....		
14	2	2			9599-0054-02	Saxpinne.....	Cotter pin.....		
15A	1	1			1134-3817-01	Tryckfjäder.....	Compression spring.....		L = 58 mm
15B	1	1			1134-3817-02	Tryckfjäder.....	Compression spring.....		L = 33 mm
16	2	2			9699-0090-02	Planbricka.....	Flat washer.....		
17	2	2			9747-0831-02	Mutter.....	Lock nut.....		
18	4	4			1134-2816-01	Kedjehjul.....	Sprocket.....		
19	4	4			1134-5653-01	Distans	Spacer.....		
20	2	2			9699-0035-02	Planbricka.....	Flat washer.....		
21	2	2			9997-1060-12	Skruv	Screw.....		
22	2	2			9739-1031-22	Mutter.....	Nut.....		
23	2	2			9897-1060-12	Skruv	Screw.....		
24	2	2			9731-1031-22	Mutter.....	Nut.....		
25	3	3			1134-3547-01	Kedjehjul.....	Sprocket.....		
26	2	2			1134-0041-01	Linhjulshylsa	Bushing.....		
27	2	2			1134-0046-00	Linhållare.....	Wire clamp.....		
28	2	2			9997-1040-16	Skruv	Screw.....		
29	2	2			9699-0035-02	Planbricka.....	Flat washer.....		
30	2	2			9739-1031-22	Mutter.....	Nut.....		
31	1	1			1134-4120-04	Styrkonsol	Steering console.....		
32	4	4			9897-0820-16	Skruv	Screw.....		
33	4	4			9739-0831-22	Mutter.....	Nut.....		
34	1	1			1134-1305-03	Rattrör- nedre	Steering column- lower.....		
35	2	2			1134-1901-01	Lager	Bearing.....		
36	1	1			1134-2821-04	Rattstång	Steering rod.....		
41	2	2			9893-0616-16	Skruv	Screw.....		
42	1	1			1134-2837-03	Distans	Spacer.....		
52		1			1134-5173-01	Ratt.....	Steering wheel.....		
52	1				1134-5173-02	Ratt kpl.....	Steering wheel assy.....		
53	1				1134-3769-01	• Styrknopp kpl	• Steering wheel button.....		
54	1				1134-3752-01	•• Knoppfäste.....	•• Knob holder.....		
55	1				9997-0870-16	•• Skruv	•• Screw.....		
56	1				1134-1565-06	•• Distans.....	•• Spacer.....		
57	3				9699-0090-02	•• Planbricka.....	•• Flat washer.....		
58	1				9747-0831-02	•• Mutter.....	•• Lock nut.....		
59	1				9403-0043-70	•• Plugg	•• Plug.....		
60	1				9403-0113-00	•• Mutterhatt.....	•• Nut cap.....		
63	1	1			1134-5216-01	Rattrör- inre kpl	Steering tube- inner.....		
64	1	1			1134-5177-01	• Slid	• Slide.....		
65	1	1			9710-0631-12	• Fyrkantmutter	• Square nut.....		
66	1	1			1134-4481-02	Vingmutter.....	Wing nut.....		
67	1	1			9997-0630-12	Skruv	Screw.....		



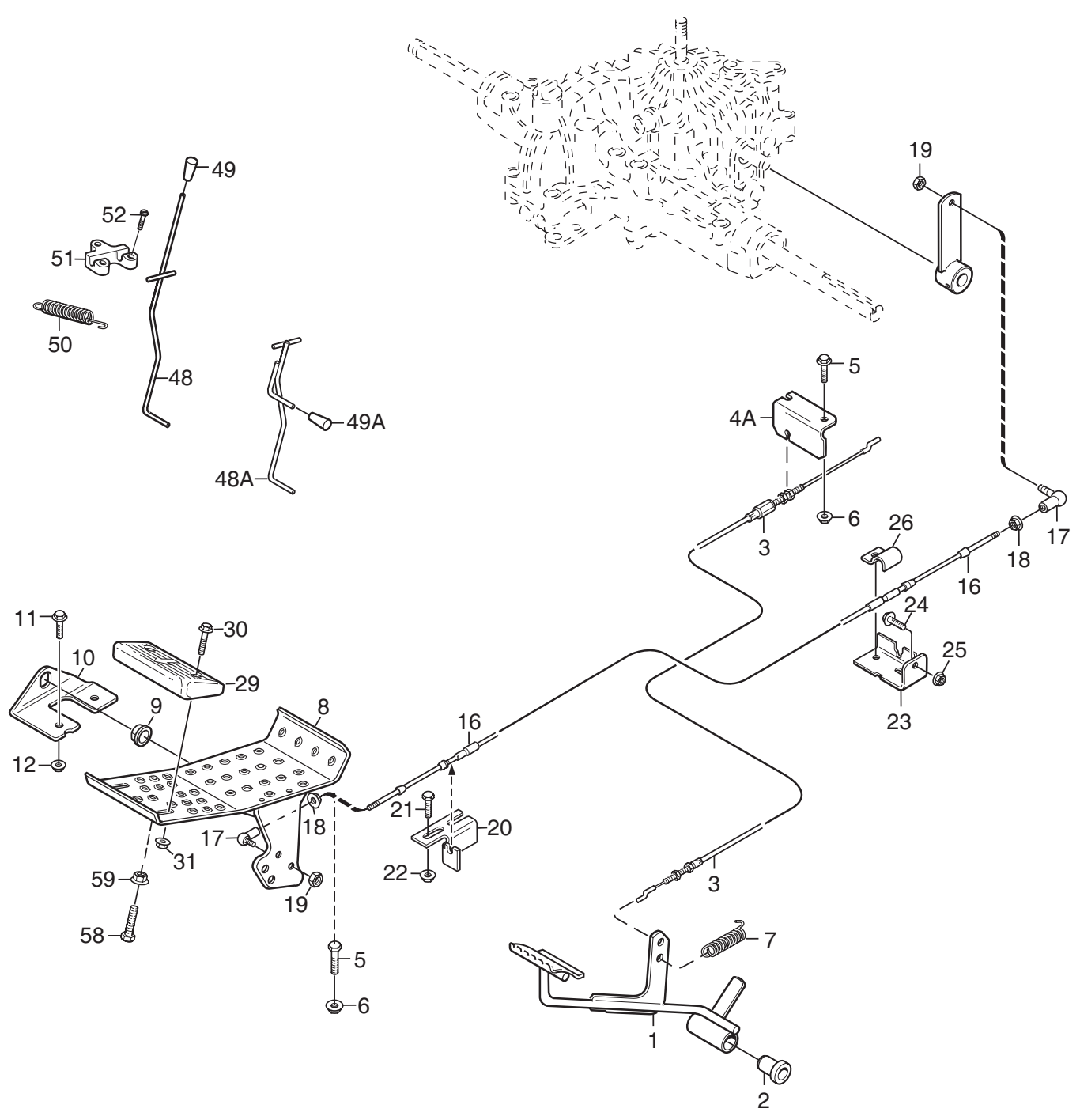
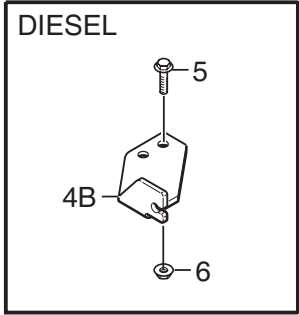
Utgåva Issue 2009- 11		Bildnr Picture No 2408A		PARK 2WD RANGER STYRNING		PARK 2WD RANGER STEERING		Sida Page 82	
Pos. Fig.	Antal/Quantity				Art nr Part No	Benämning	Description	Sats Kit	Anmärkning Notes
	6179								
	6193								
1	1				1134-6374-06	Kedja	Chain		83 länk
2	3				1134-6374-02	Kedja	Chain		41 länk
3	1				1134-6374-04	Kedja	Chain		45 länk
4A	1				1134-3550-01	Ändnippel	End nipple		L = 110 mm
4B	1				1134-3550-02	Ändnippel	End nipple		L = 90 mm
5	4				1134-3565-01	Skarvnippel.....	Connection nipple		
6	10				1134-2824-02	Kedjelås	Chain lock		
7A	1				1134-3817-01	Tryckfjäder.....	Compression spring.....		L = 58 mm
7B	1				1134-3817-02	Tryckfjäder.....	Compression spring.....		L = 33 mm
8	2				9699-0090-02	Planbricka.....	Flat washer.....		
9	2				9747-0831-02	Mutter.....	Lock nut.....		
10	4				1134-2816-01	Kedjehjul.....	Sprocket.....		
11	4				1134-0041-02	Linhjulshylsa	Idler wheel bush.....		
12	4				9699-0035-02	Planbricka.....	Flat washer.....		
13	2				9997-1050-16	Skruv.....	Screw.....		
14	2				9897-1040-12	Skruv.....	Screw.....		
15	4				9739-1031-22	Mutter.....	Nut.....		
16	3				1134-3547-01	Kedjehjul.....	Sprocket.....		
17	2				1134-0041-01	Linhjulshylsa	Bushing.....		
18	2				1134-0046-00	Linhållare.....	Wire clamp.....		
19	2				9997-1030-16	Skruv.....	Screw.....		
20	2				9739-1031-22	Mutter.....	Nut.....		
21	1				1134-4120-04	Styrkonsol	Steering console		
22	4				9897-0820-16	Skruv.....	Screw.....		
23	4				9739-0831-22	Mutter.....	Nut.....		
24	1				1134-4113-02	Rattör- nedre	Steering tube- lower		
25	1				9549-0017-00	Kullager	Ball bearing		
26	1				9945-0816-16	Skruv.....	Screw.....		
27	1				1134-4087-01	Rattstång	Steering rod		
28	1				1134-4114-01	Bussning	Bushing.....		
29	1				1134-4118-01	Koppling	Coupling.....		
30	2				9595-0256-01	Spännstift	Pin		
31	1				9695-0011-00	Bricka	Washer.....		
32	1				1134-5173-02	Ratt kpl.....	Steering wheel assy		
33	1				1134-3769-01	• Styrknopp kpl	• Steering wheel button		
34	1				1134-3752-01	•• Knoppfäste.....	•• Knob holder.....		
35	1				9997-0870-16	•• Skruv.....	•• Screw.....		
36	1				1134-1565-06	•• Distans.....	•• Spacer.....		
37	3				9699-0090-02	•• Planbricka	•• Flat washer		
38	1				9747-0831-02	•• Mutter.....	•• Lock nut		
39	1				9403-0043-70	•• Plugg	•• Plug.....		
40	1				9403-0113-00	•• Mutterhatt.....	•• Nut cap.....		
42	1				1134-6420-01	Momentförstärkare.....	Steering booster		
42A	1				1139-2074-01	Reparationssats.....	Seal kit		
43	3				9939-0612-16	Skruv.....	Screw.....		
47	1				1134-7073-01	Vinkeladapter	Hydraulic coupling		
48	1				1134-6822-01	Hydraulslang	Hydraulic tube.....		L = 1740 mm
49	1				1134-6323-01	Banjobult	Banjo bolt.....		
50	1				1134-6821-01	Hydraulslang	Hydraulic tube.....		L = 2050 mm
51	2				1134-4948-02	Tredobricka.....	Tredo washer		
52	2				1134-4282-01	Hydraulnippel	Hydraulic nipple		
52A	1				9404-0028-01	• O- ring.....	• O- ring		
53	1				1134-5216-01	Rattör- inre kpl	Steering tube- inner.....		
54	1				1134-5177-01	• Slid	• Slide.....		
55	1				9710-0631-12	• Fyrkantmutter	• Square nut		
56	1				1134-4481-02	Vingmutter.....	Wing nut		
57	1				9997-0630-12	Skruv.....	Screw.....		



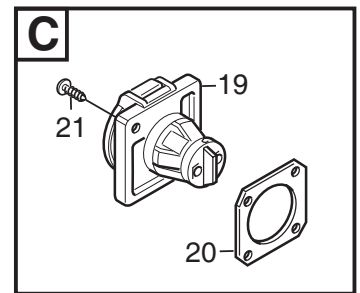
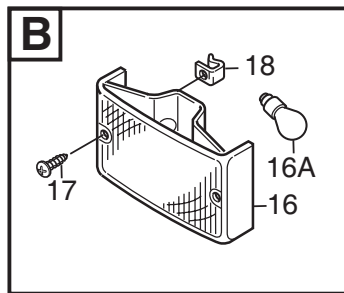
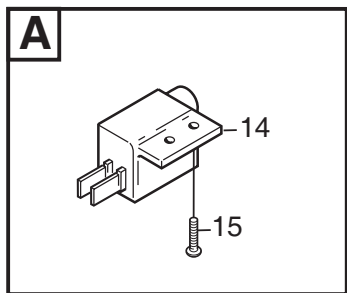
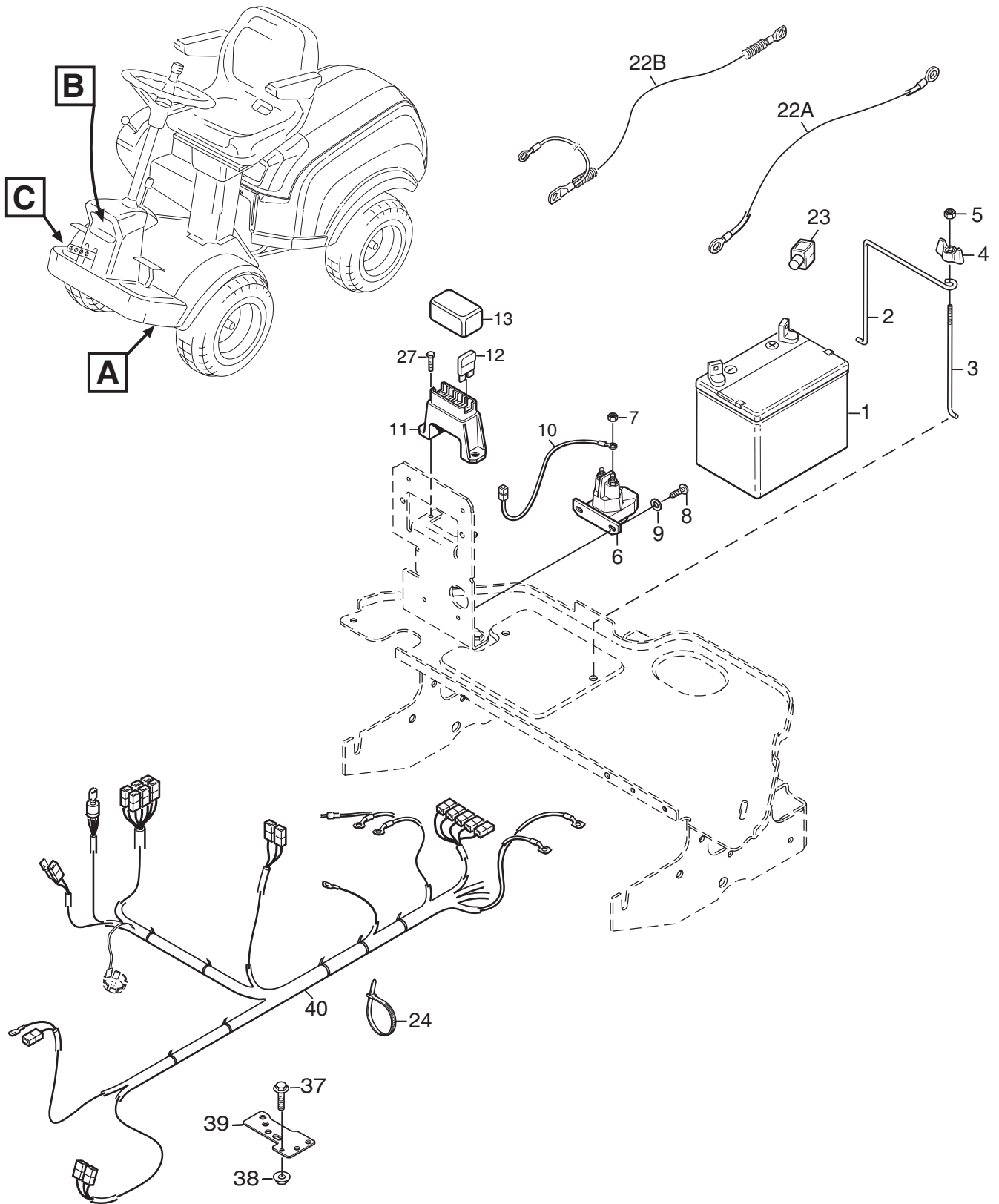
Utgåva Issue 2009- 11		Bildnr Picture No 1991E		PARK 2WD PRESIDENT- UNLIMITED SILENT- 75 YEAR LTD EDITION HANDREGLAGE		PARK 2WD PRESIDENT- UNLIMITED SILENT- 75 YEAR LTD EDITION HAND CONTROLS		Sida Page 84	
Pos. Fig.	Antal/Quantity				Art nr Part No	Benämning	Description	Sats Kit	Anmärkning Notes
	6141 6184 6198	6142 6144							
1	1	1			1134- 4156- 01	Vinkelhållare	Panel bracket- inner		
2	2	2			9897- 0820- 16	Skruv	Screw		
3	2	2			9739- 0831- 22	Mutter	Nut		
4	1	1			9695- 0011- 00	Bricka	Washer		
5	1	1			1134- 4065- 01	Reglageaxel	Control shaft		
6	1	1			1134- 4079- 01	Fjäder	Spring		
7	1	1			1134- 4080- 03	Reglagehylsa	Control sleeve		
8	2	2			9959- 0820- 16	Skruv	Screw		
9	1	1			1134- 4077- 01	Gasreglage	Throttle control		
10	1	1			1134- 4078- 01	Knopp	Knob		
11	1	1			1134- 0240- 00	Ansatssskruv	Shoulder screw		
12	2	2			1134- 4242- 01	Distansbricka	Spacer washer		
13	1	1			9694- 0001- 00	Fjäderbricka	Washer		
14	1	1			9747- 0831- 02	Mutter	Lock nut		
15		1			1134- 4195- 01	Gaswire	Throttle cable		L1 = 1413 mm
15	1				1134- 4197- 01	Gaswire	Throttle cable		L1 = 925 mm
16	1	1			9500- 9991- 00	Wireklämma	Cable clamp		
17	1	1			9943- 0516- 16	Skruv	Screw		
18	1	1			1134- 4072- 01	Aggregatspak	Control lever		
19	1	1			1134- 2551- 01	Reglageknopp	Knob		
20	1	1			1134- 3573- 03	Wire	PTO cable		
21	1	1			1134- 5358- 01	Brytarfäste	Switch bracket		
22	2	2			9852- 8013- 16	Skruv	Screw		
23	1	1			9400- 0285- 01	Microbrytare	Switch		
24	2	2			9840- 7716- 16	Skruv	Screw		L = 16 mm
25	1	1			1134- 6328- 01	Frontfäste	Panel bracket- front		
26	2	2			9893- 0616- 16	Skruv	Screw		
27	1	1			1134- 6327- 01	Frontplåt	Front plate		
28	4	4			9893- 0616- 16	Skruv	Screw		
32		1			1134- 6096- 02	Kassett	Dashboard		
32	1				1134- 6096- 05	Kassett	Dashboard		
33	4	4			9946- 0525- 16	Skruv	Screw		
34	1	1			1134- 4154- 01	Täckbricka	Cover		
35	6	6			1134- 4129- 01	Täckbricka	Cover		
36	1	1			1134- 4093- 01	Tändningslås	Ignition switch		
39	1	1			1134- 4749- 01	Mutter	Nut		
40		1			1134- 2872- 03	Chokereglage	Choke control		
40A		1			1134- 4338- 01	• Reglageknopp	• Control knob		
41		1			9699- 0090- 02	Planbricka	Flat washer		
44	1	1			1134- 6097- 01	Timräknare	Hour meter		
45	1				1134- 4100- 01	Täckpropp	Plug		



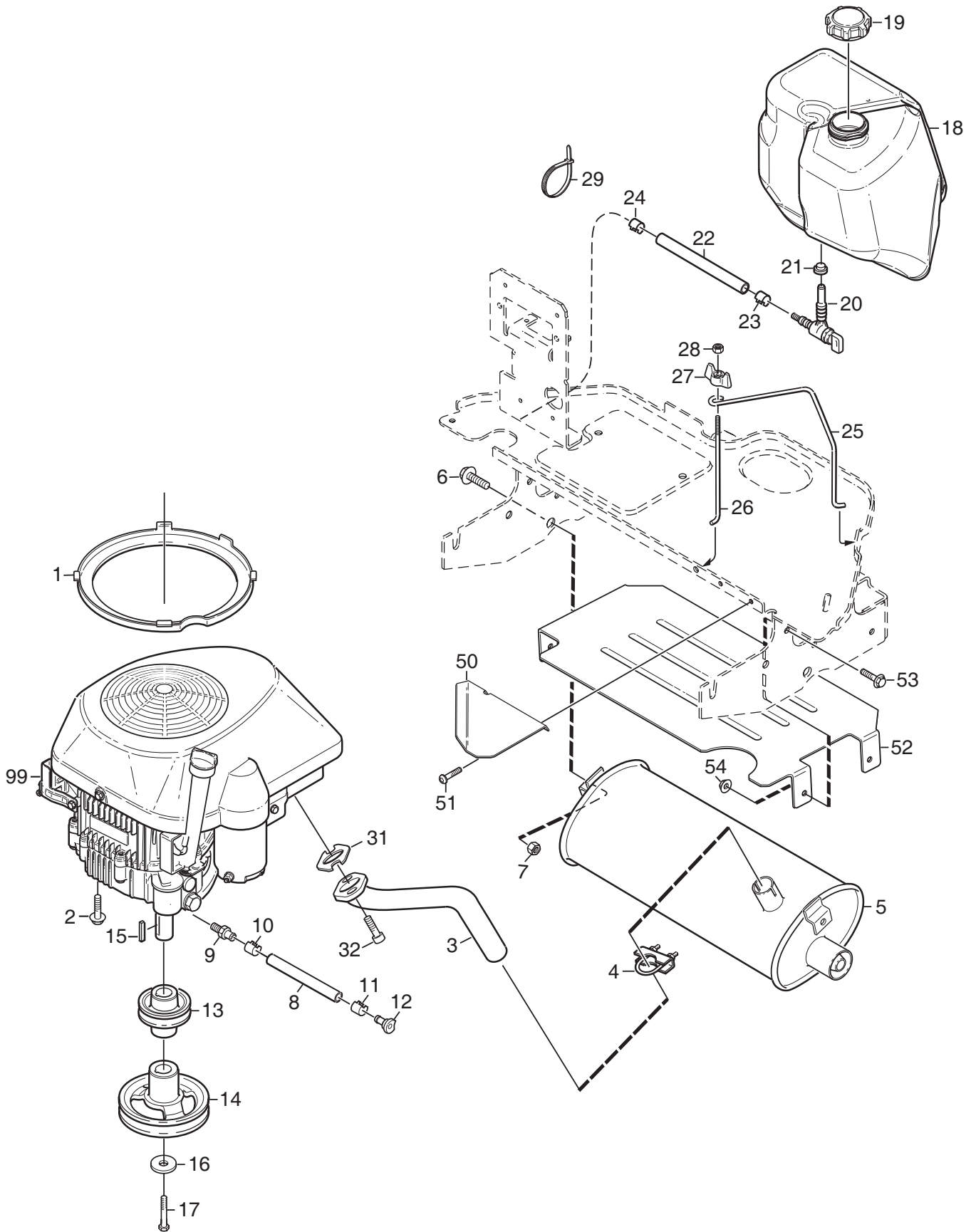
Utgåva Issue 2009- 11		Bildnr Picture No 1991C				PARK 2WD COMFORT- DIESEL- RANGER- EXCELLENT HANDREGLAGE		PARK 2WD COMFORT- DIESEL- RANGER- EXCELLENT HAND CONTROLS		Sida Page 86	
Pos. Fig.	Antal/Quantity				Art nr Part No	Benämning	Description	Sats Kit	Anmärkning Notes		
	6179	6182 6193	6180	6189							
1	1	1	1	1	1134-4156-01	Vinkelhållare	Panel bracket- inner				
2	2	2	2	2	9897-0820-16	Skruv	Screw				
3	2	2	2	2	9739-0831-22	Mutter	Nut				
4	1	1	1	1	9695-0011-00	Bricka	Washer				
5	1	1	1	1	1134-4065-01	Reglageaxel	Control shaft				
6	1	1	1	1	1134-4079-01	Fjäder	Spring				
7	1	1	1	1	1134-4080-03	Reglagehylsa	Control sleeve				
8	2	2	2	2	9959-0820-16	Skruv	Screw				
9	1	1	1	1	1134-4077-01	Gasreglage	Throttle control				
10	1	1	1	1	1134-4078-01	Knopp	Knob				
11	1	1	1	1	1134-0240-00	Ansatskruv	Shoulder screw				
12	2	2	2	2	1134-4242-01	Distansbricka	Spacer washer				
13	1	1	1	1	9694-0001-00	Fjäderbricka	Washer				
14	1	1	1	1	9747-0831-02	Mutter	Lock nut				
15	1			1	1134-4195-01	Gaswire	Throttle cable		L1 = 1413 mm		
15		1			1134-4197-01	Gaswire	Throttle cable		L1 = 925 mm		
15			1		1134-4923-01	Gaswire	Throttle cable		L1 = 880 mm		
16	1	1	1	1	9500-9991-00	Wireklämma	Cable clamp				
17	1	1	1	1	9943-0516-16	Skruv	Screw				
18	1	1	1	1	1134-4072-01	Aggregatspak	Control lever				
19	1	1	1	1	1134-2551-01	Reglageknopp	Knob				
20	1	1	1	1	1134-3573-03	Wire	PTO cable				
21	1	1	1	1	1134-5358-01	Brytarfäste	Switch bracket				
22	2	2	2	2	9852-8013-16	Skruv	Screw				
23	1	1	1	1	9400-0285-01	Microbrytare	Switch				
24	2	2	2	2	9840-7716-16	Skruv	Screw		L = 16 mm		
24			2		9847-7732-16	Skruv	Screw		L = 32 mm		
25	1	1	1	1	1134-6328-01	Frontfäste	Panel bracket- front				
26	2	2	2	2	9893-0616-16	Skruv	Screw				
27	1	1	1	1	1134-6327-01	Frontplåt	Front plate				
28	4	4	4	4	9893-0616-16	Skruv	Screw				
32	1		1	1	1134-6096-02	Kassett	Dashboard				
32		1			1134-6096-05	Kassett	Dashboard				
33	4	4	4	4	9946-0525-16	Skruv	Screw				
34	1	1	1	1	1134-4154-01	Täckbricka	Cover				
35	5	5	5	5	1134-4129-01	Täckbricka	Cover				
36	1	1		1	1134-4093-01	Tändningslås	Ignition switch				
36			1		1134-4908-01	Tändningslås	Ignition switch				
39	1	1		1	1134-4749-01	Mutter	Nut				
40				1	1134-2872-02	Chokereglage	Choke control				
40	1				1134-2872-03	Chokereglage	Choke control				
40A	1			1	1134-4338-01	• Reglageknopp	• Control knob				
41	1		1	1	9699-0090-02	Planbricka	Flat washer				
42	1	1	1	1	9400-0282-01	Brytare m.diod	Switch w.diode				
44	1	1	1	1	1134-6097-01	Timräknare	Hour meter				
45		1			1134-4100-01	Täckpropp	Plug				
46			1		9400-0296-01	Dragströmbrytare	Switch				
47			1		1134-4697-02	Mikrobrytare	Switch				
49	1	1	1	1	9400-0280-03	Vippa- höjinställning	Cover- height adjust				
99	1	1	1	1	9400-0290-01	Verktyg f.vippa	Tool for cover		Tillbehör/Accessory		



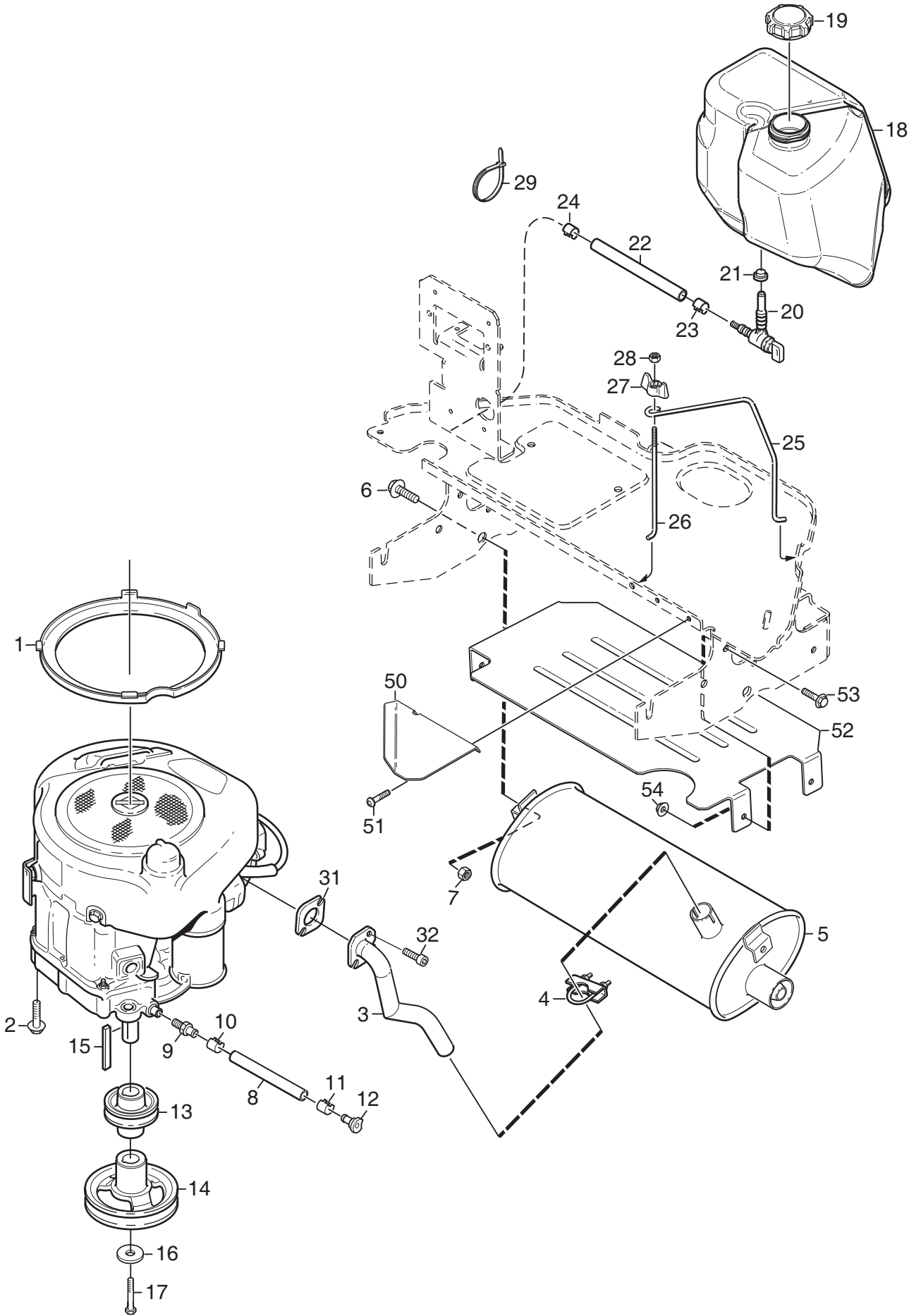
Utgåva Issue		Bildnr Picture No		PARK 2WD FOTREGLAGE		PARK 2WD FOOT CONTROLS		Sida Page	
2009- 11		1992E						88	
Pos. Fig.	Antal/Quantity				Art nr Part No	Benämning	Description	Sats Kit	Anmärkning Notes
	6144 6184 6198	6141 6142 6182	6180	6179 6189 6193					
1	1	1	1	1	1134-4247-01	Broms/kopplingspedal.....	Brake/clutch pedal.....		
2	1	1	1	1	1134-9024-01	• Lager	• Bearing		Sats 4 st/kit of 4
3	1	1	1	1	1134-3584-03	Broms/kopplingswire.....	Brake/clutch cable.....		
4A	1	1		1	1134-6467-01	Wirefäste	Cable holder		
4B			1		1134-6052-01	Wirefäste	Cable holder		
5	3	3	3	3	9959-0820-16	Skruv	Screw.....		
6	3	3	3	3	9739-0831-22	Mutter.....	Nut		
7	1	1	1	1	1134-3974-01	Fjäder.....	Spring		
8	1	1	1	1	1134-6353-01	Drivpedal	Drive pedal.....		
9	2	2	2	2	1134-6313-01	Lager	Bearing.....		
10	2	2	2	2	1134-2700-01	Fäste	Bracket.....		
11	2	2	2	2	9959-0820-16	Skruv	Screw.....		
12	2	2	2	2	9739-0831-22	Mutter.....	Nut		
16	1	1	1	1	1134-2766-05	Reglagewire.....	Speed control cable		
17	2	2	2	2	9570-0001-00	Vinkellänk	Elbow link		
18	2	2	2	2	9739-0531-22	Mutter.....	Nut		
19	2	2	2	2	9747-0531-02	Mutter.....	Nut		
20	1	1	1	1	1134-6317-01	Wirefäste	Cable holder		
21	2	2	2	2	9959-0620-16	Skruv	Screw.....		
22	2	2	2	2	9739-0631-22	Mutter.....	Nut		
23	1	1	1	1	1134-3395-01	Fäste	Attachment.....		
24	2	2	2	2	9959-0820-16	Skruv	Screw.....	L = 20 mm	
25	2	2	2	2	9739-0831-22	Mutter.....	Nut		
26	1	1	1	1	1134-2021-01	Växelwirefäste	Clamp.....		
29	2	2	2	2	1134-6340-02	Fotstöd	Foot rest.....	6198-55	
30	4	4	4	4	9959-0620-16	Skruv	Screw.....		
31	4	4	4	4	9739-0631-22	Mutter.....	Nut		
48	1	1	1	1	1134-5101-01	Bromsstång	Brake rod		
48A	1				1134-5353-01	Bromsstång	Brake rod	6198-55, 6144-75	
49	1	1	1	1	1134-3808-01	Knopp.....	Knob		
49A	1				1134-2786-01	Knopp.....	Knob	6198-55, 6144-75	
50	1	1	1	1	1131-1497-01	Fjäder.....	Spring		
51	1	1	1	1	1134-4002-01	Fäste	Brake rod attachment.....		
52	3	3	3	3	9838-9516-12	Skruv	Screw		
58	1	1	1	1	9997-0835-16	Skruv	Screw.....		
59	1	1	1	1	9739-0831-22	Mutter.....	Nut		



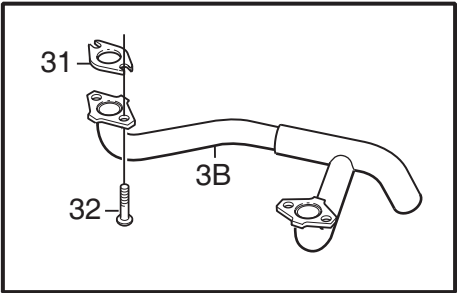
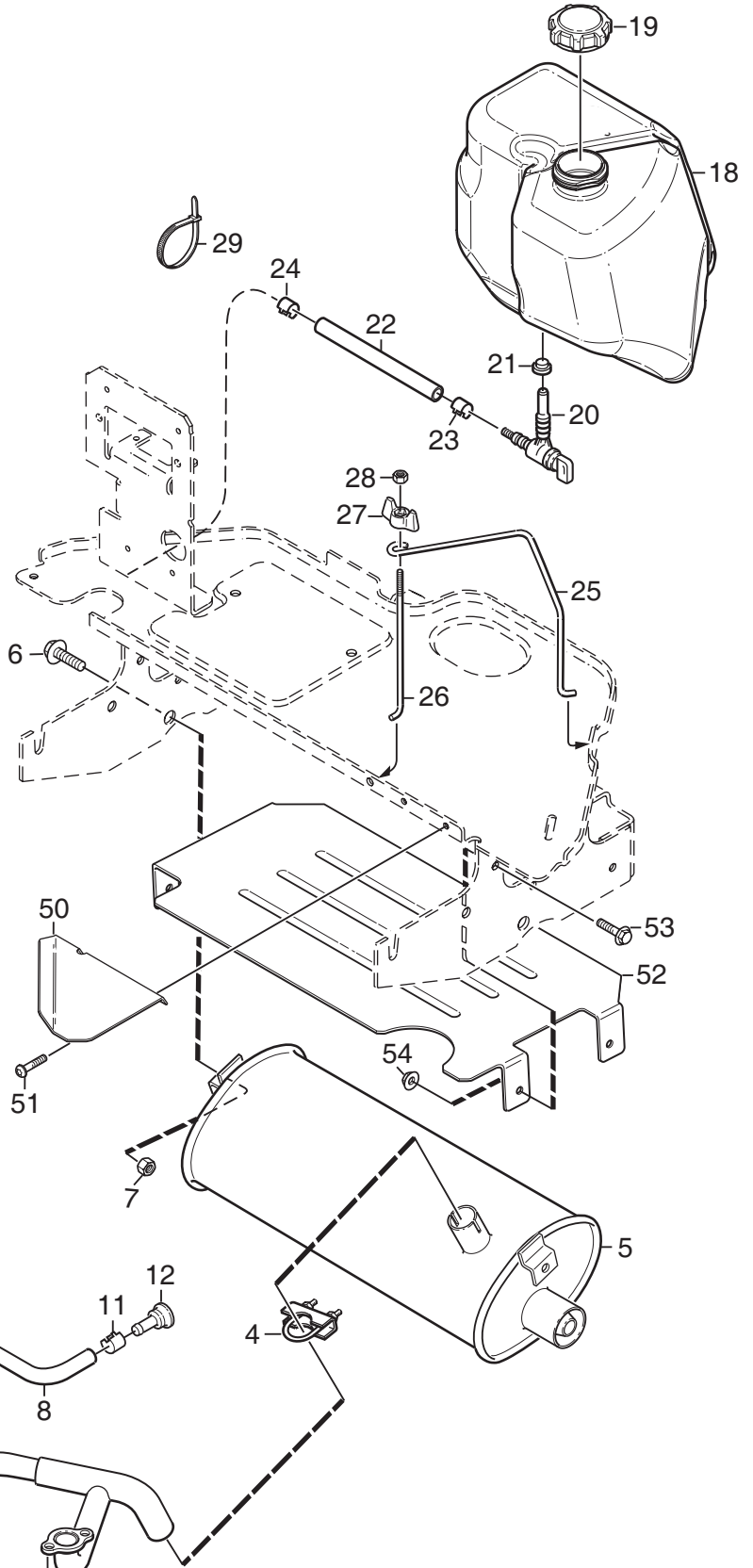
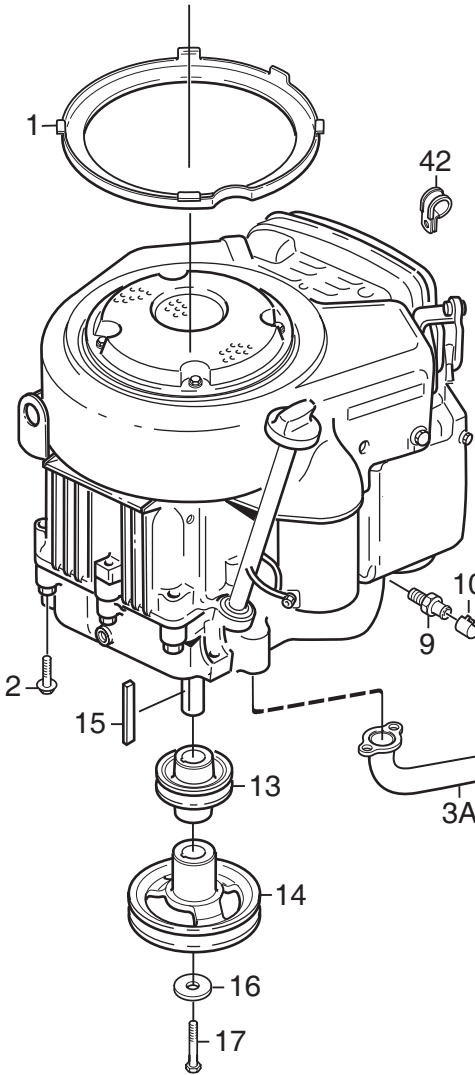
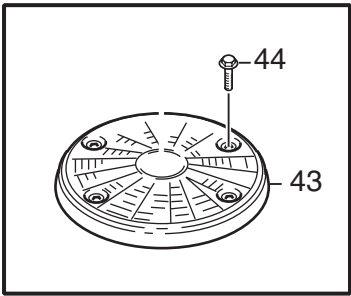
Utgåva Issue 2009- 11		Bildnr Picture No 2020F		PARK 2WD ELUTRUSTNING		PARK 2WD EL. EQUIPMENT		Sida Page 90	
Pos. Fig.	Antal/Quantity				Art nr Part No	Benämning	Description	Sats Kit	Anmärkning Notes
	6144 6179	6141 6142 6184 6198	6182 6189 6193	6180					
1	1	1	1	1	1134-5751-01	Batteri	Battery		
2	1	1	1	1	1134-5994-01	Batteribygel	Battery loop		
3	1	1	1	1	1134-5995-01	Batteribygel	Battery loop		
4	1	1	1	1	1134-4481-02	Vingmutter	Wing nut		
5	1	1	1	1	9747-0631-02	Låsmutter	Lock nut		
6	1	1	1	1	1134-2962-01	Solenoid kpl	Solenoid assy		
7	2	2	2	2	9794-5131-02	• Mutter	• Nut		
8	2	2	2	2	9852-8013-16	Skruv	Screw		
9	2	2	2	2	9699-0060-02	Planbricka	Flat washer		
10	1	1	1	1	1134-4970-02	Kabel-röd	Cable- red		
11	1	1	1	1	1134-3491-01	Säkringshållare	Fuse holder		
12	1	1	1	1	1134-3496-01	Säkring	Fuse	10A	
12	1	1	1	1	1134-3496-06	Säkring	Fuse	20A	
12	1	1	1	1	1134-3496-07	Säkring	Fuse	30A	
13	1	1	1	1	1134-3631-01	Lock-säkringsdosa	Cover- fuse holder		
14	1	1	1	1	1134-3399-02	Brytare	Switch		
15	2	2	2	2	9943-0516-16	Skruv	Screw		
16	1	1	1	1	1134-4172-01	Strålkastare kpl	Headlamp assy		
16A	1	1	1	1	9400-0293-01	• Glödlampa	• Bulb	Not on 6144- 75, 6198- 55	
17	2	2	2	2	9849-7819-16	Skruv	Screw	12V - 21W	
18	2	2	2	2	1134-4177-01	Clips	Clips		
19	1		1	1	1134-7535-01	Honkontakt	Female terminal		Not on 6144- 75, 6198- 55
20			1	1	1134-4052-01	Stödbricka	Support washer		
21			2	2	9840-7716-16	Skruv	Screw		
22A	1	1	1		1134-0234-02	Batterikabel (+)	Battery cable (+)		
22B			1	1	1134-6067-01	Kabel (+)	Cable (+)		
23	1	1	1	1	1134-2310-01	Batteriskydd	Guard cap		
24	7	7	7	7	9579-0003-00	Buntband	Cable holder		
27	2	2	2	2	9849-8006-16	Skruv	Screw		
37	1	1			9959-0612-16	Skruv	Screw		
38	1	1			9739-0631-22	Mutter	Nut		
39	1	1			1134-6454-01	Jordplåt	Ground plate		
40		1	1	1	1134-6034-01	Kablage	Cable harness	Diesel	
40					1134-6441-01	Kablage	Harness		
40	1				1137-0027-01	Kablage	Harness	Honda	



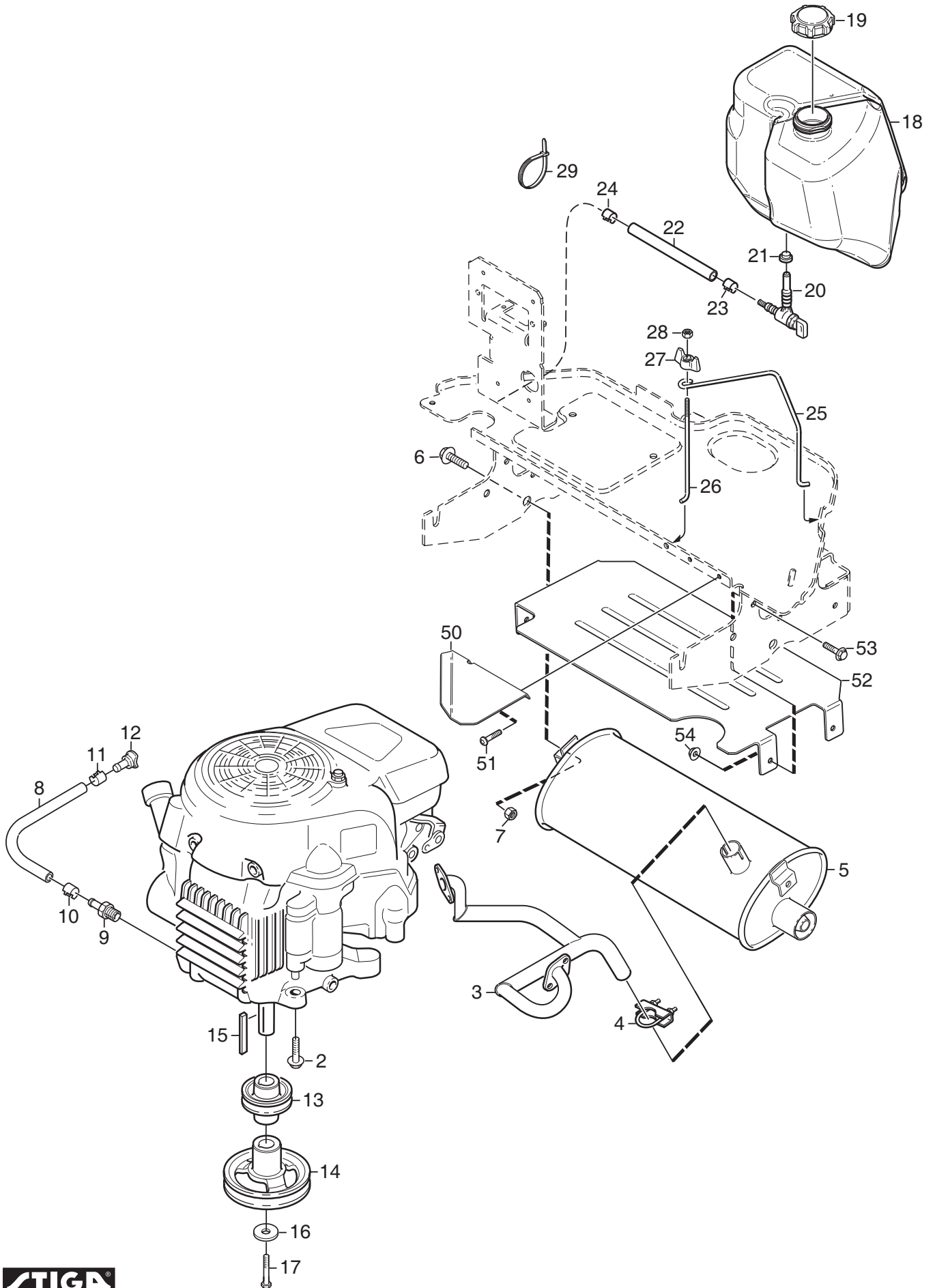
Utgåva Issue 2009- 11		Bildnr Picture No 2409		PARK 2WD UNLIMITED MOTOR (GGP)		PARK 2WD UNLIMITED ENGINE (GGP)		Sida Page 92	
Pos. Fig.	Antal/Quantity				Art nr Part No	Benämning	Description	Sats Kit	Anmärkning Notes
	6141 6198								
1	1				1134-6116-02	Luftring.....	Air duct		
2	4				9955-3725-16	Skruv.....	Screw.....		
3	1				1134-6619-01	Grenrör.....	Exhaust pipe		
4	1				9578-0011-01	Klämma	Clamp.....		
5	1				1134-6024-01	Ljuddämpare	Muffler		
6	1				9959-0820-16	Skruv.....	Screw.....		
7	1				9739-0831-22	Mutter.....	Nut		
8	1				1134-5827-01	Oljeavtappning kpl.....	Oil drain assy		Inkl. pos 9 - 12
9	1				1134-5825-01	• Nippel	• Nipple.....		
10	1				9578-0023-04	• Slangklämma.....	• Hose clamp		
11	1				1134-3499-02	• Slangklämma.....	• Hose clamp		
12	1				1134-5826-01	• Plugg	• Plug.....		
13	1				1134-6137-01	Motorremskiva	Engine pulley.....		
14	1				1134-6419-01	Motorremskiva	Engine pulley.....		
15	1				9600-0251-01	Kil	Key.....		
16	1				1134-5017-01	Bricka	Washer.....		
17	1				9987-5332-16	Skruv.....	Screw		
18	1				1134-5938-01	Bränsletank.....	Fuel tank		
19	1				1134-5532-01	Tanklock	Fuel tank cap.....		
20	1				1134-3224-01	Bensinkran.....	Fuel shut-off valve		
21	1				1134-3225-01	Gummibussning.....	Grommet.....		
22	1				1134-2975-13	Bensinslang	Fuel hose.....	L = 1100 mm	
23	1				9578-0023-02	Slangklämma.....	Hose clamp		
24	1				9578-0023-02	Slangklämma.....	Hose clamp		
25	1				1134-5942-01	Tankbygel	Tank loop		
26	1				1134-5996-01	Tankbygel	Tank loop		
27	1				1134-4481-02	Vingmutter.....	Wing nut		
28	1				9747-0631-02	Låsmutter	Lock nut		
29	1				9579-0003-00	Buntband	Cable holder		
30	1				9852-8013-16	Skruv.....	Screw.....		
31	1				1134-6624-01	Packning.....	Gasket.....		
32	2				1134-4930-01	Skruv.....	Screw.....		
50	1				1134-6234-01	Deflektor	Heat deflector.....		
51	2				9943-0516-16	Skruv.....	Screw.....		
52	1				1134-6251-01	Deflektor	Heat deflector.....		
53	4				9959-0612-16	Skruv.....	Screw.....		
54	4				9739-0631-22	Mutter.....	Nut		
99	1				1134-9501-01	Motor kpl.....	Engine assy.....	GGP WM14	



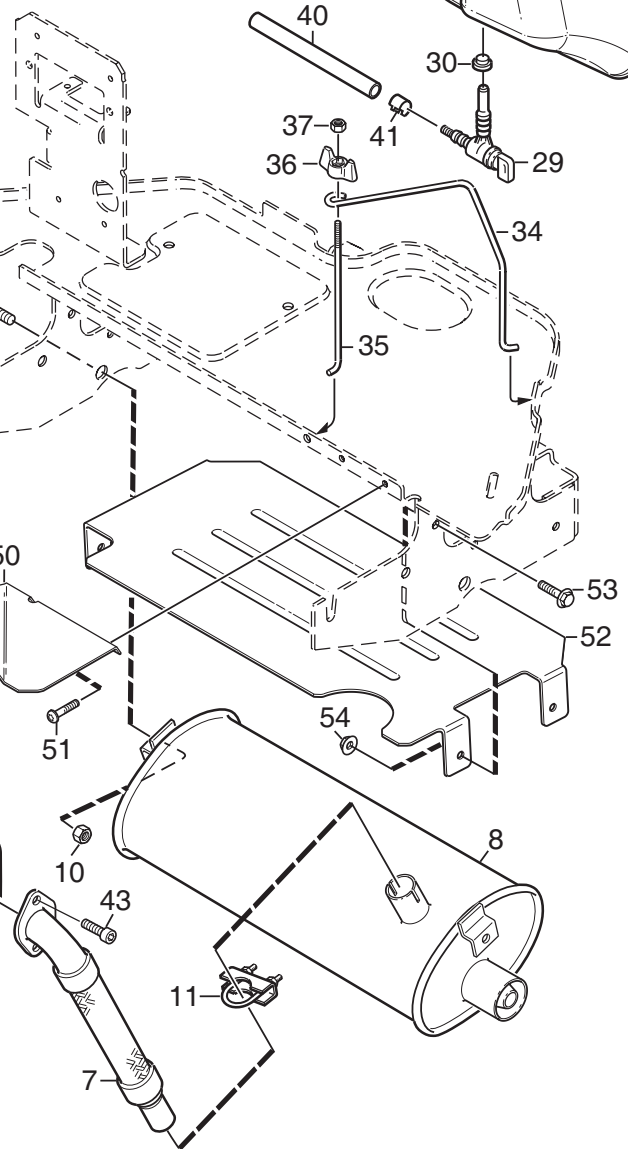
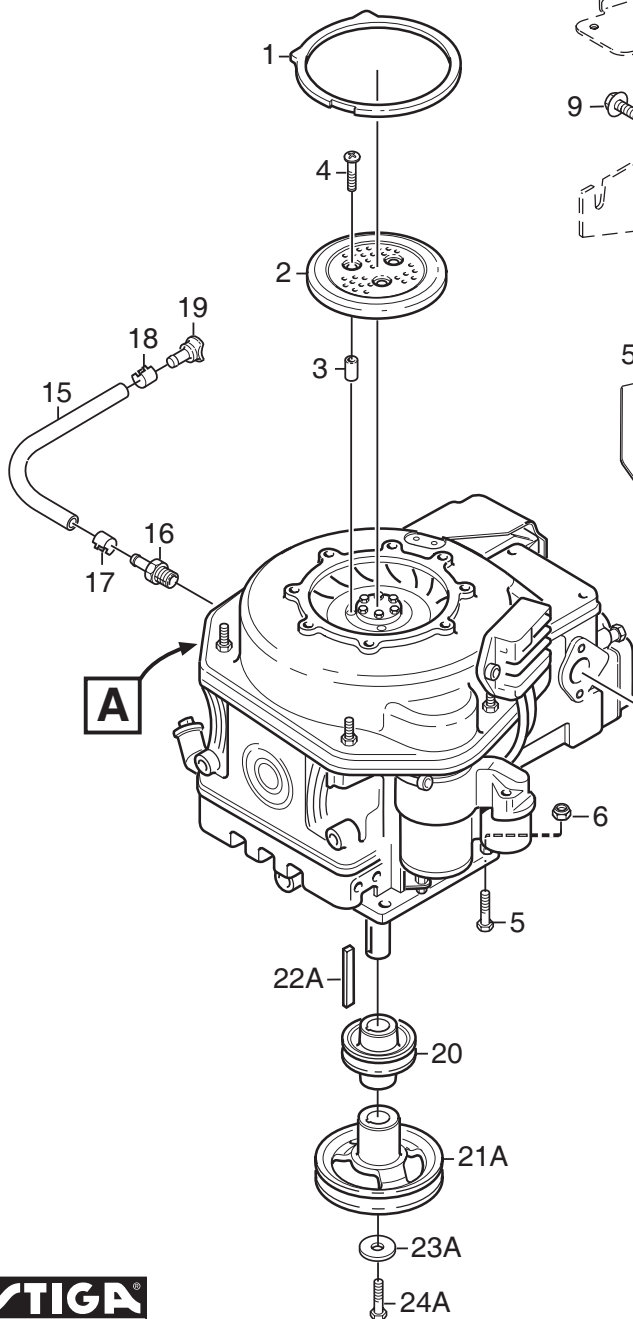
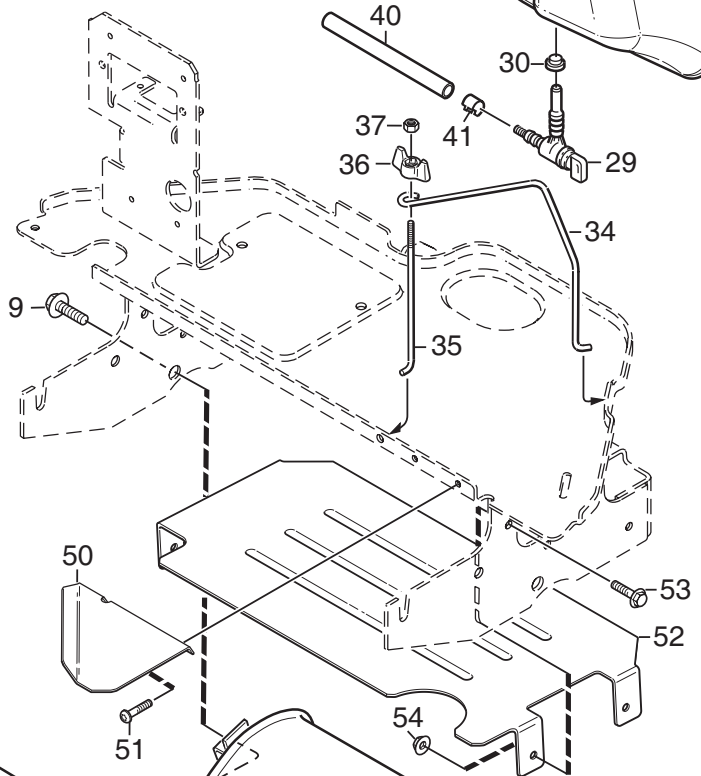
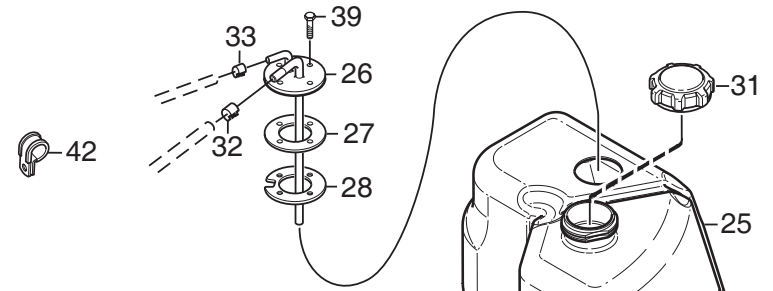
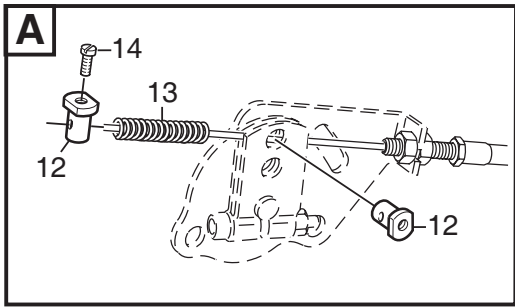
Utgåva Issue 2009- 11		Bildnr Picture No 2021		PARK 2WD COMFORT- PRESID- RANGER MOTOR (Briggs & Stratton)		PARK 2WD COMFORT- PRESID- RANGER ENGINE (Briggs & Stratton)		Sida Page 94	
Pos. Fig.	Antal/Quantity			Art nr Part No	Benämning	Description	Sats Kit	Anmärkning Notes	
	6182 6193	6184							
1	1	1		1134-6116-02	Luffring.....	Air duct			
2	4	4		9955-3725-16	Skruv.....	Screw.....			
3	1			1134-6100-01	Grenrör.....	Exhaust pipe			
3		1		1134-6334-01	Grenrör.....	Exhaust pipe			
4	1	1		9578-0011-01	Klämma.....	Clamp.....			
5	1	1		1134-6024-01	Ljuddämpare.....	Muffler			
6	1	1		9959-0820-16	Skruv.....	Screw.....			
7	1	1		9739-0831-22	Mutter.....	Nut.....			
8	1	1		1134-5827-01	Oljeavtappning kpl.....	Oil drain assy		Inkl. pos 9 - 12	
9	1	1		1134-5825-01	• Nippel.....	• Nipple.....			
10	1	1		9578-0023-04	• Slangklämma.....	• Hose clamp			
11	1	1		1134-3499-02	• Slangklämma.....	• Hose clamp			
12	1	1		1134-5826-01	• Plugg.....	• Plug.....			
13	1	1		1134-6137-01	Motorremskiva.....	Engine pulley.....			
14	1	1		1134-6419-01	Motorremskiva.....	Engine pulley.....			
15	1	1		9600-0251-01	Kil.....	Key.....			
16	1	1		1134-5017-01	Bricka.....	Washer.....			
17	1	1		9987-5332-16	Skruv.....	Screw.....			
18	1	1		1134-5938-01	Bränsletank.....	Fuel tank			
19	1	1		1134-5532-01	Tanklock.....	Fuel tank cap.....			
20	1	1		1134-3224-01	Bensinkran.....	Fuel shut-off valve.....			
21	1	1		1134-3225-01	Gummibussning.....	Grommet.....			
22	1	1		1134-2975-13	Bensinslang.....	Fuel hose.....		L = 1100 mm	
23	1	1		9578-0023-02	Slangklämma.....	Hose clamp			
24	1	1		9578-0023-02	Slangklämma.....	Hose clamp			
25	1	1		1134-5942-01	Tankbygel.....	Tank loop			
26	1	1		1134-5996-01	Tankbygel.....	Tank loop			
27	1	1		1134-4481-02	Vingmutter.....	Wing nut			
28	1	1		9747-0631-02	Låsmutter.....	Lock nut.....			
29	1	1		9579-0003-00	Buntband.....	Cable holder.....			
30	1	1		9852-8013-16	Skruv.....	Screw.....			
31	1	1		1134-0433-00	Ljuddämparpackning.....	Muffler gasket.....			
32	2	2		1134-4930-01	Skruv.....	Screw.....			
50	1	1		1134-6234-01	Deflektor.....	Heat deflector.....			
51	2	2		9943-0516-16	Skruv.....	Screw.....			
52	1	1		1134-6251-01	Deflektor.....	Heat deflector.....			
53	4	4		9959-0612-16	Skruv.....	Screw.....			
54	4	4		9739-0631-22	Mutter.....	Nut.....			



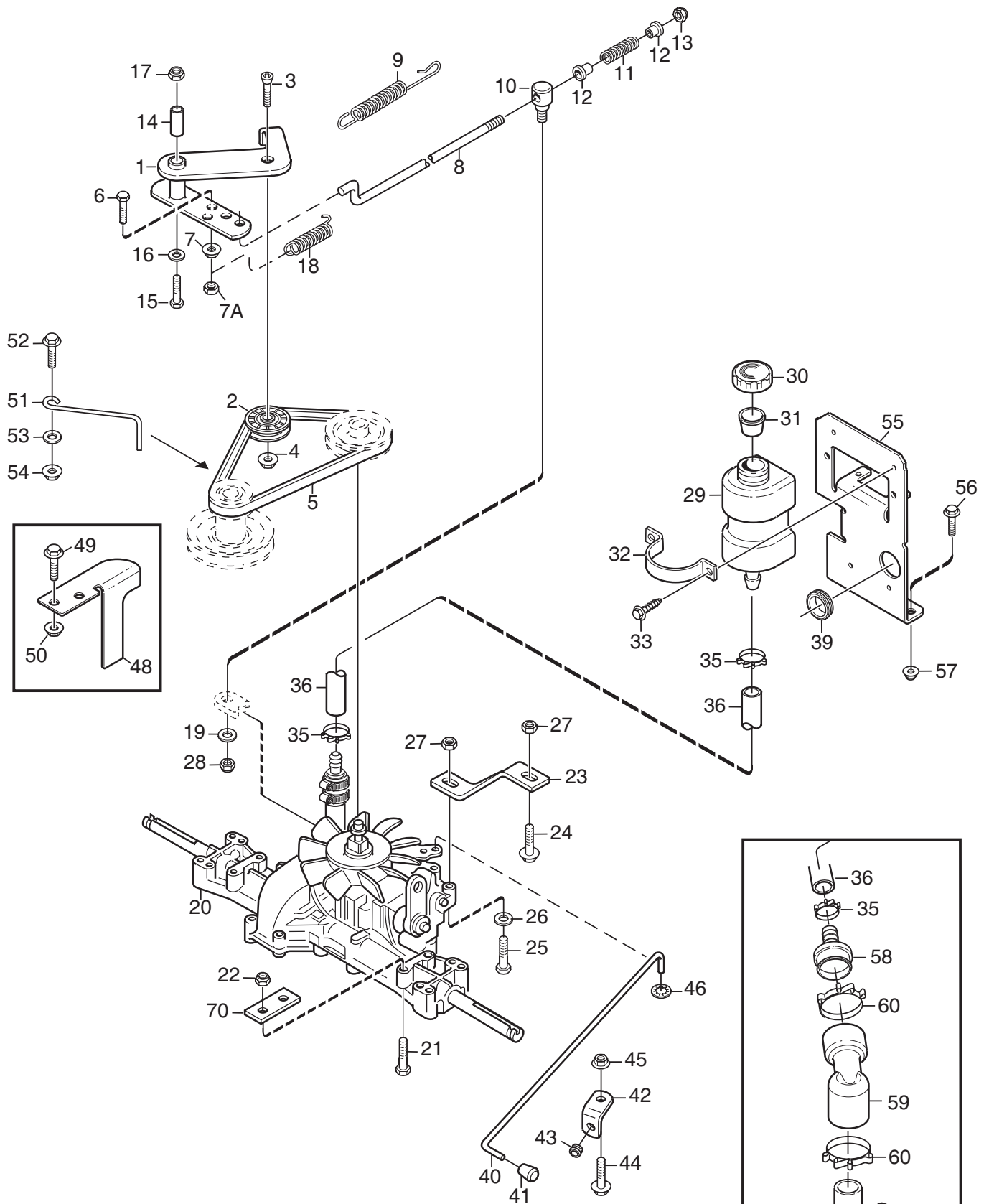
Utgåva Issue 2009- 11		Bildnr Picture No 2207		PARK 2WD EXCELLENT- UNLIMITED MOTOR (Briggs & Stratton)		PARK 2WD EXCELLENT- UNLIMITED ENGINE (Briggs & Stratton)		Sida Page 96	
Pos. Fig.	Antal/Quantity				Art nr Part No	Benämning	Description	Sats Kit	Anmärkning Notes
	6189	6142							
1	1				1134-6116-02	Luffring.....	Air duct		
2	4	4			9955-3725-16	Skruv.....	Screw.....		
3A	1				1134-6339-01	Grenrör.....	Exhaust pipe		
3B		1			1134-6422-01	Grenrör.....	Exhaust pipe		
4	1	1			9578-0011-01	Klämma.....	Clamp.....		
5	1	1			1134-6024-01	Ljuddämpare.....	Muffler		
6	1	1			9959-0820-16	Skruv.....	Screw.....		
7	1	1			9739-0831-22	Mutter.....	Nut.....		
8		1			1134-5827-01	Oljeavtappning kpl.....	Oil drain assy		Inkl. pos 9 - 12
8	1				1134-5827-04	Oljeavtappning kpl.....	Oil drain assy		Inkl. pos 9 - 12
9	1	1			1134-5825-01	• Nippel.....	• Nipple.....		
10	1	1			9578-0023-04	• Slangklämma.....	• Hose clamp		
11	1	1			1134-3499-02	• Slangklämma.....	• Hose clamp		
12	1	1			1134-5826-01	• Plugg.....	• Plug.....		
13	1	1			1134-6137-01	Motorremskiva.....	Engine pulley.....		
14	1	1			1134-6419-01	Motorremskiva.....	Engine pulley.....		
15	1	1			9600-0251-01	Kil.....	Key.....		
16	1	1			1134-5017-01	Bricka.....	Washer.....		
17	1	1			9987-5332-16	Skruv.....	Screw.....		
18	1	1			1134-5938-01	Bränsletank.....	Fuel tank		
19	1	1			1134-5532-01	Tanklock.....	Fuel tank cap.....		
20	1	1			1134-3224-01	Bensinkran.....	Fuel shut-off valve.....		
21	1	1			1134-3225-01	Gummibussning.....	Grommet.....		
22	1	1			1134-2975-13	Bensinslang.....	Fuel hose.....		L = 1100 mm
23	1	1			9578-0023-02	Slangklämma.....	Hose clamp		
24	1	1			9578-0023-02	Slangklämma.....	Hose clamp		
25	1	1			1134-5942-01	Tankbygel.....	Tank loop		
26	1	1			1134-5996-01	Tankbygel.....	Tank loop		
27	1	1			1134-4481-02	Vingmutter.....	Wing nut		
28	1	1			9747-0631-02	Låsmutter.....	Lock nut.....		
29	1	1			9579-0003-00	Buntband.....	Cable holder.....		
30	1				9852-8013-16	Skruv.....	Screw.....		
30		1			9893-0616-16	Skruv.....	Screw.....		
31		2			1134-0433-00	Ljuddämparpackning.....	Muffler gasket.....		
32		4			1134-4930-01	Skruv.....	Screw.....		
32	4				9939-0820-16	Skruv.....	Screw.....		
42	1	1			1134-0994-02	Rörklammer.....	Tube clamp.....		
43		1			1134-4168-01	Fläktskiva.....	Fan disc.....		
44		4			9838-9516-12	Skruv.....	Screw.....		
50	1	1			1134-6234-01	Deflektor.....	Heat deflector.....		
51	2	2			9943-0516-16	Skruv.....	Screw.....		
52	1	1			1134-6251-01	Deflektor.....	Heat deflector.....		
53	4	4			9959-0612-16	Skruv.....	Screw.....		
54	4	4			9739-0631-22	Mutter.....	Nut.....		



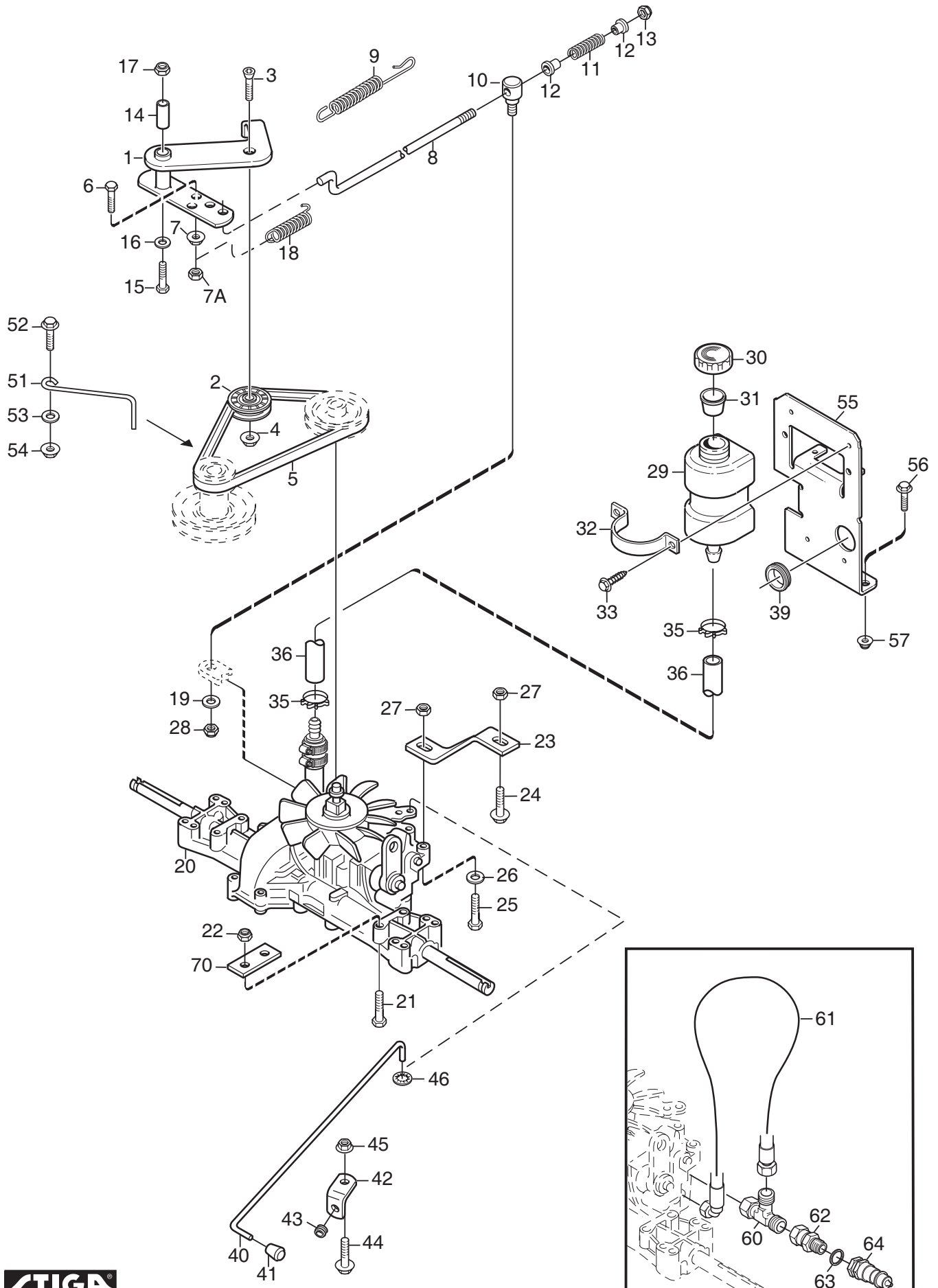
Utgåva Issue 2009- 11		Bildnr Picture No 2022		PARK 2WD RANGER- SILENT MOTOR (Honda)		PARK 2WD RANGER- SILENT ENGINE (Honda)		Sida Page 98	
Pos. Fig.	Antal/Quantity				Art nr Part No	Benämning	Description	Sats Kit	Anmärkning Notes
	6144								
2	4				9955-3725-16	Skruv.....	Screw.....		
3	1				1134-5947-01	Grenrör.....	Exhaust pipe.....		
4	1				9578-0011-01	Klämma.....	Clamp.....		
5	1				1134-6024-01	Ljuddämpare.....	Muffler.....		
6	1				9959-0820-16	Skruv.....	Screw.....		
7	1				9739-0831-22	Mutter.....	Nut.....		
8	1				1134-5827-01	Oljeavtapning kpl.....	Oil drain assy.....		Inkl. pos 9 - 12
9	1				1134-5825-01	• Nippel.....	• Nipple.....		
10	1				9578-0023-04	• Slangklämma.....	• Hose clamp.....		
11	1				1134-3499-02	• Slangklämma.....	• Hose clamp.....		
12	1				1134-5826-01	• Plugg.....	• Plug.....		
13	1				1134-6137-01	Motorremskiva.....	Engine pulley.....		
14	1				1134-6419-01	Motorremskiva.....	Engine pulley.....		
15	1				9600-0251-01	Kil.....	Key.....		
16	1				1134-5017-01	Bricka.....	Washer.....		
17	1				9987-5332-16	Skruv.....	Screw.....		
18	1				1134-5938-01	Bränsletank.....	Fuel tank.....		
19	1				1134-5532-01	Tanklock.....	Fuel tank cap.....		
20	1				1134-3224-01	Bensinkran.....	Fuel shut-off valve.....		
21	1				1134-3225-01	Gummibussning.....	Grommet.....		
22	1				1134-2975-13	Bensinslang.....	Fuel hose.....		L = 1100 mm
23	1				9578-0023-02	Slangklämma.....	Hose clamp.....		
24	1				9578-0023-02	Slangklämma.....	Hose clamp.....		
25	1				1134-5942-01	Tankbygel.....	Tank loop.....		
26	1				1134-5996-01	Tankbygel.....	Tank loop.....		
27	1				1134-4481-02	Vingmutter.....	Wing nut.....		
28	1				9747-0631-02	Låsmutter.....	Lock nut.....		
29	1				9579-0003-00	Buntband.....	Cable holder.....		
30	1				9893-0616-16	Skruv.....	Screw.....		
50	1				1134-6234-01	Deflektor.....	Heat deflector.....		
51	2				9943-0516-16	Skruv.....	Screw.....		
52	1				1134-6251-01	Deflektor.....	Heat deflector.....		
53	4				9959-0612-16	Skruv.....	Screw.....		
54	4				9739-0631-22	Mutter.....	Nut.....		



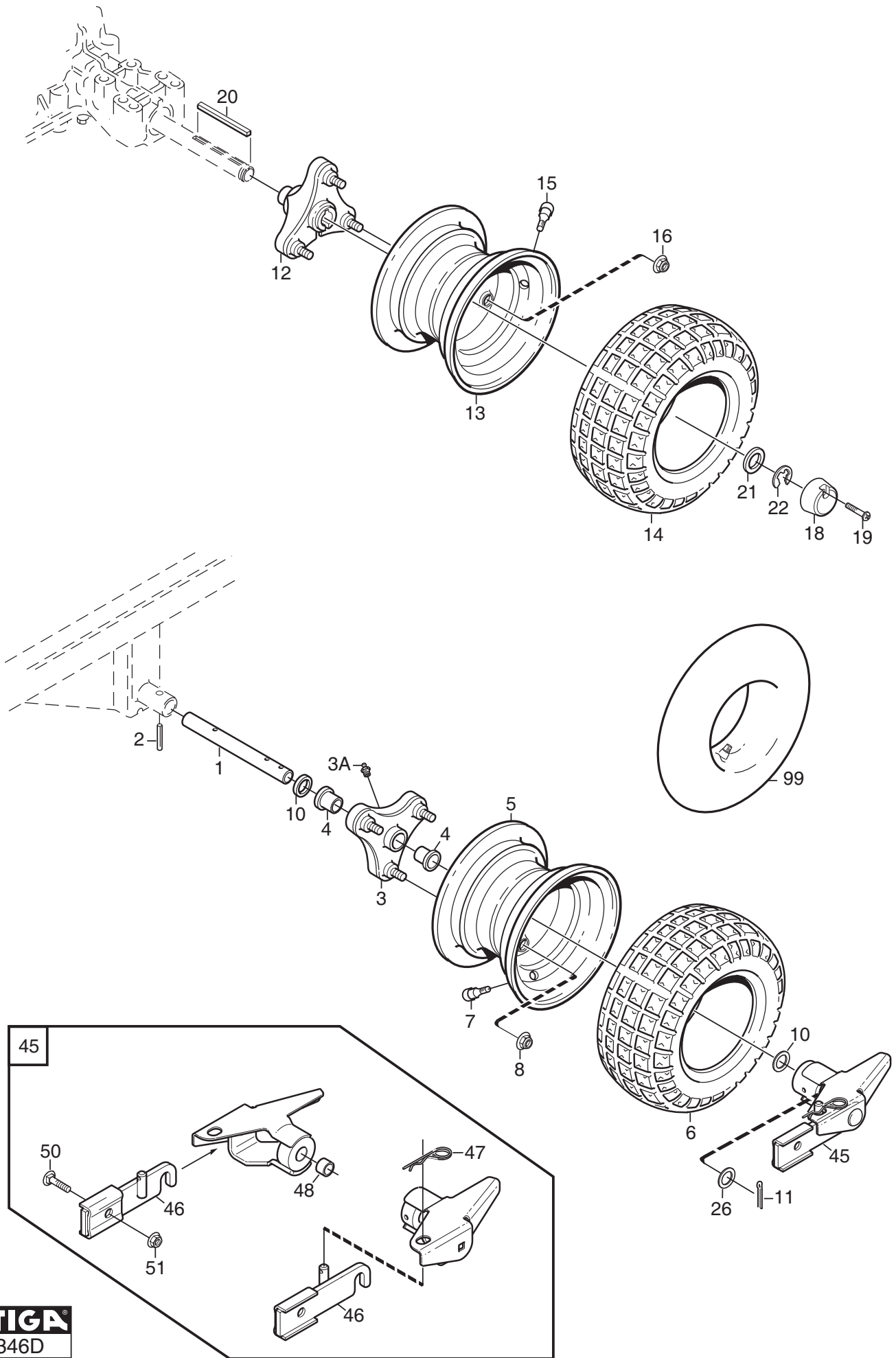
Utgåva Issue 2009- 11		Bildnr Picture No 2023B		PARK 2WD DIESEL MOTOR (Hatz)		PARK 2WD DIESEL ENGINE (Hatz)		Sida Page 100	
Pos. Fig.	Antal/Quantity				Art nr Part No	Benämning	Description	Sats Kit	Anmärkning Notes
	6180								
1	1				1134-6463-01	Tätningring	Seal ring		
2	1				1134-4962-01	Fläktskydd	Fan cover		
3	3				1134-4963-01	Distans	Spacer		
4	3				9948-0630-16	Skruv	Screw		
5	4				9997-1050-16	Skruv	Screw		
6	4				9731-1031-22	Mutter	Nut		
7	1				1134-6012-01	Grenrör	Exhaust pipe		
8	1				1134-6024-01	Ljuddämpare	Muffler		
9	2				9959-0820-16	Skruv	Screw		
10	2				9739-0831-22	Mutter	Nut		
11	1				9578-0011-01	Klämma	Clamp		
12	2				1134-6118-01	Skruvnippel	Cable nipple		
13	1				1134-6126-01	Tryckfjäder	Comp. spring		
14	1				9997-0412-16	Skruv	Screw		
15	1				1134-5827-04	Oljeavtappning kpl	Oil drain assy		Inkl. pos 16 - 19
16	1				1134-5825-01	• Nippel	• Nipple		
17	1				9578-0023-04	• Slangklämma	• Hose clamp		
18	1				1134-3499-02	• Slangklämma	• Hose clamp		
19	1				1134-5826-01	• Plugg	• Plug		
20	1				1134-6139-01	Motorremskiva	Engine pulley		
21A	1				1134-6419-01	Motorremskiva	Engine pulley		
22A	1				9600-0251-01	Kil	Key		L = 2- 1/2"
23A	1				1134-5017-01	Bricka	Washer		
24A	1				9987-5332-16	Skruv	Screw		L = 32 mm
25	1				1134-5938-02	Bränsletank	Fuel tank		
26	1				1134-6130-01	Bränslelgenomföring	Fuel connection		
27	1				1134-6136-01	Packning	Sealing		
28	1				1134-6134-01	Fläns	Flange		
29	1				1134-3224-01	Bensinkran	Fuel shut- off valve		
30	1				1134-3225-01	Gummibussning	Grommet		
31	1				1134-5532-01	Tanklock	Fuel tank cap		
32	1				9578-0023-02	Slangklämma	Hose clamp		
33	1				9578-0023-07	Slangklämma	Hose clamp		
34	1				1134-5942-01	Tankbygel	Tank loop		
35	1				1134-5996-01	Tankbygel	Tank loop		
36	1				1134-4481-02	Vingmutter	Wing nut		
37	1				9747-0631-02	Låsmutter	Lock nut		
38	1				9959-0820-16	Skruv	Screw		
39	4				9997-0625-16	Skruv	Screw		
40	ERF				1134-2975-15	Bränsleslang	Fuel hose		Cut to desired length
41	1				9578-0023-02	Slangklämma	Hose clamp		
42	1				1134-0994-02	Rörklammer	Tube clamp		
43	2				9939-0820-16	Skruv	Screw		
50	1				1134-6234-01	Deflektor	Heat deflector		
51	2				9943-0516-16	Skruv	Screw		
52	1				1134-6251-01	Deflektor	Heat deflector		
53	4				9959-0612-16	Skruv	Screw		
54	4				9739-0631-22	Mutter	Nut		



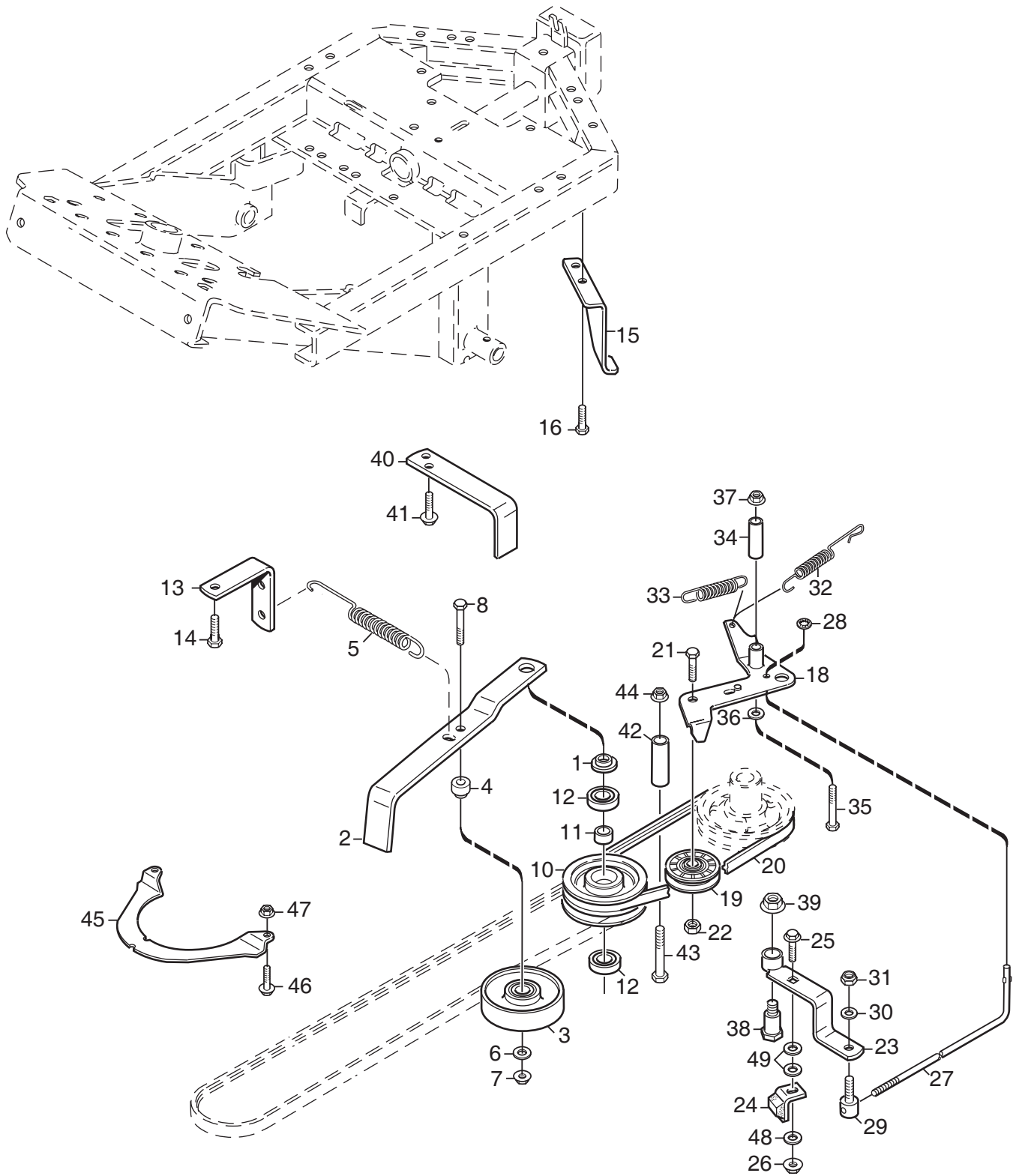
Utgåva Issue		Bildnr Picture No		PARK 2WD TRANSMISSION		PARK 2WD TRANSMISSION		Sida Page	
2009- 11		1996B						102	
Pos. Fig.	Antal/Quantity				Art nr Part No	Benämning	Description	Sats Kit	Anmärkning Notes
	6141 6144 6182 6198	6142 6189	6180	6184					
1	1	1	1	1	1134-4000-02	Spännarm	Tension arm		
2	1	1	1	1	1134-3459-01	Spännrulle	Tension roller		
3	1	1	1	1	9924-1035-16	Skruv	Screw		
4	1	1	1	1	9799-1031-02	Mutter	Nut		
5	1	1	1	1	1134-9058-01	Drivrem	V- belt.....		
6	1	1	1	1	9997-0625-16	Skruv	Screw		
7	1	1	1	1	9739-0631-22	Mutter	Nut		
7A	1	1	1	1	9747-0631-02	Låsmutter	Lock nut		
8	1	1	1	1	1134-3377-02	Reglagestång	Control rod.....		
9	1	1	1	1	4231-0013-00	Fjäder.....	Spring		
10	1	1	1	1	1134-4171-01	Ledtapp	Pivot pin.....		
11	1	1	1	1	1134-4183-01	Tryckfjäder.....	Compression spring.....		
12	2	2	2	2	1134-3456-01	Bussning	Bushing.....		
13	1	1	1	1	9747-0631-02	Låsmutter	Lock nut		
14	1	1	1	1	1134-1565-08	Distans	Spacer.....		
15	1	1	1	1	9997-0870-16	Skruv	Screw		
16	1	1	1	1	9699-0056-02	Planbricka.....	Flat washer.....		
17	1	1	1	1	9747-0831-02	Mutter.....	Lock nut.....		
18	1	1	1	1	1134-6414-01	Fjäder.....	Spring		
19	1	1	1	1	9699-0060-02	Planbricka.....	Flat washer.....		
20	1	1	1	1	1134-7767-01	Transaxel kpl.....	Transaxle assy.....		
21	4		4	4	9960-0860-12	Skruv	Screw		Kanzaki K46CI L = 60 mm
21		4			9997-0870-16	Skruv	Screw		L = 70 mm
22	4	4	4	4	9747-0831-02	Mutter.....	Lock nut.....		
23	1	1	1	1	1134-3913-01	Reaktionsstag.....	Strut.....		
24	1	1	1	1	9959-0825-16	Skruv	Screw		
25	1	1	1	1	9997-0845-12	Skruv	Screw		
26	1	1	1	1	9699-0090-02	Planbricka.....	Flat washer.....		
27	2	2	2	2	9747-0831-02	Mutter.....	Lock nut.....		
28	1	1	1	1	9747-0631-02	Låsmutter	Lock nut.....		
29	1	1	1	1	1134-2765-02	Oljetank	Oil tank.....		
30	1	1	1	1	1134-2777-02	Tanklock	Filler cap		
31	1	1	1	1	1134-3734-01	Luftningsplugg	Vent plug.....		
32	1	1	1	1	1134-2778-01	Fästband	Retainer strap		
33	2	2	2	2	9852-8013-16	Skruv	Screw		
35	2	2	2	2	9578-0023-04	Slangklämma.....	Hose clamp		15 x 8
36			1		1134-2779-06	Slang	Tube		L = 230 mm
36	1	1		1	1134-2779-09	Slang	Tube		L = 290 mm
39	1	1	1	1	1134-3203-01	Kabelgenomföring	Grommet.....		
40	1	1	1	1	1134-4015-01	Dragstång	Pull rod		
41	1	1	1	1	1134-4014-01	Plastknopp.....	Plastic button.....		
42	1	1	1	1	1134-4713-01	Vinkel.....	Bracket.....		
43	1	1	1	1	1134-2790-01	Gummihylsa	Rubber grommet.....		
44	1	1	1	1	9959-0820-16	Skruv	Screw		
45	1	1	1	1	9739-0831-22	Mutter.....	Nut.....		
46	1	1	1	1	9675-0009-02	Starlock	Starlock		
48			1		1134-6047-01	Remstyrning.....	Belt guide.....		
49			1		9959-1025-16	Skruv	Screw		
50			1		9739-1031-22	Mutter.....	Nut.....		
51	1	1		1	1134-3289-02	Remstyrning.....	Belt guide.....		
52	1	1		1	9959-0820-16	Skruv	Screw		
53	1	1		1	9699-0056-02	Planbricka.....	Flat washer.....		
54	1	1		1	9739-0831-22	Mutter.....	Nut.....		
55	1	1	1	1	1134-5941-01	Tankkonsol	Tank bracket.....		
56	2	2	2	2	9959-0820-16	Skruv	Screw		
57	2	2	2	2	9739-0831-22	Mutter.....	Nut.....		
58			1		1134-6051-01	Slangnippel.....	Hose nipple.....		
59			1		1134-6050-01	Böj	Elbow		
60			2		9578-0023-06	Slangklämma.....	Hose clamp		
70		2			1134-3376-01	Mellanlägg	Spacer plate		6142- 64, 6189- 04



Utgåva Issue 2009- 11		Bildnr Picture No 2410		PARK 2WD RANGER TRANSMISSION		PARK 2WD RANGER TRANSMISSION		Sida Page 104		
Pos. Fig.	Antal/Quantity				Art nr Part No	Benämning	Description	Sats Kit	Anmärkning Notes	
	6179									
1	1				1134- 4000- 02	Spännarm	Tension arm		= 9585- 0091- 01	
2	1				1134- 3459- 01	Spännrulle	Tension roller			
3	1				9924- 1035- 16	Skruv	Screw			
4	1				9799- 1031- 02	Mutter	Nut			
5	1				1134- 9058- 01	Drivrem	V- belt.....			
6	1				9997- 0625- 16	Skruv	Screw			
7	1				9739- 0631- 22	Mutter.....	Nut			
7A	1				9747- 0631- 02	Låsmutter	Lock nut			
8	1				1134- 3377- 02	Reglagestång	Control rod.....			
9	1				4231- 0013- 00	Fjäder.....	Spring			
10	1				1134- 4171- 01	Ledtapp	Pivot pin.....			
11	1				1134- 4183- 01	Tryckfjäder.....	Compression spring.....			
12	2				1134- 3456- 01	Bussning	Bushing.....			
13	1				9747- 0631- 02	Låsmutter	Lock nut			
14	1				1134- 1565- 08	Distans	Spacer.....			
15	1				9997- 0870- 16	Skruv	Screw			
16	1				9699- 0056- 02	Planbricka.....	Flat washer.....			
17	1				9747- 0831- 02	Mutter.....	Lock nut.....			
18	1				1134- 6414- 01	Fjäder.....	Spring			
19	1				9699- 0060- 02	Planbricka.....	Flat washer.....			
20	1				1134- 6129- 01	Transaxel kpl.....	Transaxle assy.....	Kanzaki K574F 4- port L = 60 mm		
21	4				9960- 0860- 12	Skruv	Screw			
22	4				9747- 0831- 02	Mutter.....	Lock nut.....			
23	1				1134- 3913- 01	Reaktionsstag.....	Strut.....			
24	1				9959- 0825- 16	Skruv	Screw			
25	1				9997- 0845- 12	Skruv	Screw			
26	1				9699- 0090- 02	Planbricka.....	Flat washer.....			
27	2				9747- 0831- 02	Mutter.....	Lock nut.....			
28	1				9747- 0631- 02	Låsmutter	Lock nut.....			
29	1				1134- 2765- 02	Oljetank	Oil tank.....			
30	1				1134- 2777- 02	Tanklock	Filler cap			
31	1				1134- 3734- 01	Luftningsplugg	Vent plug.....			
32	1				1134- 2778- 01	Fästband	Retainer strap			
33	2				9852- 8013- 16	Skruv	Screw			
35	2				9578- 0023- 04	Slangklämma.....	Hose clamp	15 x 8 L = 290 mm		
36	1				1134- 2779- 09	Slang	Tube			
39	1				1134- 3203- 01	Kabelgenomföring	Grommet.....			
40	1				1134- 4015- 01	Dragstång	Pull rod			
41	1				1134- 4014- 01	Plastknopp.....	Plastic button.....			
42	1				1134- 4713- 01	Vinkel.....	Bracket.....			
43	1				1134- 2790- 01	Gummihylsa	Rubber grommet.....			
44	1				9959- 0820- 16	Skruv	Screw			
45	1				9739- 0831- 22	Mutter.....	Nut			
46	1				9675- 0009- 02	Starlock	Starlock			
51	1				1134- 3289- 02	Remstyrning.....	Belt guide.....			
52	1				9959- 0820- 16	Skruv	Screw			
53	1				9699- 0056- 02	Planbricka.....	Flat washer.....			
54	1				9739- 0831- 22	Mutter.....	Nut			
55	1				1134- 5941- 01	Tankkonsol	Tank bracket.....			
56	2				9959- 0820- 16	Skruv	Screw			
57	2				9739- 0831- 22	Mutter.....	Nut			
60	1				1134- 7246- 01	L- koppling.....	L- coupling			
61	1				1134- 6823- 01	Hydraulslang	Hydraulic tube.....			
62	1				1134- 7245- 01	Adapter- rak.....	Coupling- straight.....			
63	1				1134- 4948- 01	Tredobricka.....	Seal washer.....			
64	1				1134- 6042- 01	Snabbkoppling- hane.....	Quick coupling- male.....			



Utgåva Issue 2009- 11		Bildnr Picture No 1346D		PARK 2WD HJUL 16"		PARK 2WD WHEELS 16"		Sida Page 106	
Pos. Fig.	Antal/Quantity				Art nr Part No	Benämning	Description	Sats Kit	Anmärkning Notes
	6141 6142 6144 6184	6179 6193	6182 6189 6198	6180					
1	2	2	2	2	1134-0075-01	Framaxeltapp	Front axle		
2	2	2	2	2	9595-0258-00	Spännstift	Locating pin		
3	2	2	2	2	1134-4844-05	Hjulnav kpl.....	Wheel hub assy.....		
3A	1	1	1	1	9501-0500-00	• Smörjnippel	• Grease joint.....		
4	1	1	1	1	1134-9026-01	• Lagerbussning.....	• Bearing bush kit		Sats 4 st/kit of 4
5	2	2	2	2	1134-4558-01	Fälg.....	Rim		
6	2	2	2	2	9545-0116-00	Däck	Tyre		16 x 7.50 - 8
7	2	2	2	2	9545-0500-00	Ventil.....	Valve		
8	6	6	6	6	9731-1031-22	Mutter.....	Nut		
10	8	8	8	8	1134-0341-01	Bricka	Washer.....		
11	2	2	2	2	9599-0080-02	.SaxsprintCotter pin		
12	2	2	2	2	1134-4844-02	Hjulnav	Wheel hub		
13	2	2	2	2	1134-4558-01	Fälg.....	Rim		
14	2	2	2	2	9545-0116-00	Däck	Tyre		16 x 7.50 - 8
15	2	2	2	2	9545-0500-00	Ventil.....	Valve		
16	6	6	6	6	9731-1031-22	Mutter.....	Nut		
18	2	2	2	2	1134-4796-01	Navkapsel	Hub cap.....		
19	2	2	2	2	9947-0540-19	Skruv	Screw.....		
20	2	2	2	2	1134-2471-01	Kil	Key		
21	2	2	2	2	9699-0042-02	Planbricka.....	Flat washer.....		
22	2	2	2	2	9653-0001-04	Spårryttare	Lock ring.....		
26	2	2	2	2	9699-0042-02	.Planbricka.....	.Flat washer.....		
45	1	1	1	1	13-0992-61	Snabbfäste kpl.....	Quick connections.....		Inkl. pos 11, 26, 46-51
46	1	1	1	1	1134-7465-01	• Fästen kpl, vä+hö.....	• Attachment kit, LH+RH.....		Inkl. pos 50-51
47	2	2	2	2	9598-2001-02	• Låsnål	• Spring pin		
48	2	2	2	2	9548-0026-01	• Glidlager	• Bearing		
50	2	2	2	2	9898-1035-16	•• Skruv	•• Screw		
51	2	2	2	2	9739-1031-22	•• Mutter.....	•• Nut		
99					9545-0203-00	Innerslang	Inner tube		Reservdel/spare part



Utgåva Issue		Bildnr Picture No		PARK 2WD KRAFTUTTAG		PARK 2WD POWER TAKE- OFF		Sida Page	
2009- 11		1030G						108	
Pos. Fig.	Antal/Quantity				Art nr Part No	Benämning	Description	Sats Kit	Anmärkning Notes
	6141 6142 6144 6179	6182 6184 6189	6180	6193 6198					
1	1	1	1	1	1134-5548-01	Distans	Spacer		
2	1	1	1	1	1134-5109-01	Spännhjularm	Tension wheel arm		
3	1	1	1	1	1134-1770-01	Spännrulle	Tension roller		
4	1	1	1	1	1134-1888-04	Distans	Spacer		
5	1	1	1	1	1134-5111-01	Fjäder	Spring		
6	1	1	1	1	9699-0056-02	Planbricka	Flat washer		
7	1	1	1	1	9739-0831-22	Mutter	Nut		
8	1	1	1	1	9997-0855-12	Skruv	Screw		
10	1	1	1	1	1134-1769-03	Centrumremskiva kpl	Centre pulley assy		
11	1	1	1	1	1134-0051-09	• Distans	• Spacer		
12	2	2	2	2	9549-0019-00	• Kullager	• Ball bearing		
13	1	1	1	1	1134-5112-01	Fjäderfäste	Spring attachment		
14	2	2	2	2	9945-0816-16	Skruv	Screw		
15	1	1	1	1	1134-5110-01	Hake	Hook		
16	2	2	2	2	9893-0616-16	Skruv	Screw		
18	1	1	1	1	1134-2018-02	Spännarm	Tension arm		
19	1	1	1	1	1134-9027-02	Spännrulle- grå	Tension roller- grey		
20	1	1	1	1	1134-9071-01	Drivrem	V- belt		= 9585- 0129- 01
21	1	1	1	1	9997-1030-16	Skruv	Screw		
22	1	1	1	1	9799-1031-02	Mutter	Nut		
23	1	1	1	1	1134-4111-01	Bromsarm	Brake arm		
24	1	1	1	1	1134-4164-03	Bromsklots	Brake pad		
25	1	1	1	1	9897-0825-16	Skruv	Screw		
26	1	1	1	1	9747-0831-02	Mutter	Lock nut		
27	1	1	1	1	1134-4162-01	Bromsstång	Brake rod		
28	1	1	1	1	9675-0008-02	Starlock	Locking washer		
29	1	1	1	1	1134-4170-01	Nippel	Nipple		
30	1	1	1	1	9699-0025-02	Planbricka	Washer		
31	1	1	1	1	9747-0631-02	Låsmutter	Lock nut		
32	1	1	1	1	4231-0013-00	Fjäder	Spring		
33	1	1	1	1	1134-4231-01	Dragfjäder	Spring		
34	1	1	1	1	1134-1565-10	Distans	Spacer		
35	1	1	1	1	9997-0860-16	Skruv	Screw		
36	1	1	1	1	9699-0056-02	Planbricka	Flat washer		
37	1	1	1	1	9739-0831-22	Mutter	Nut		
38	1	1	1	1	1134-4163-01	Ansatsskruv	Shoulder bolt		
39	1	1	1	1	9731-1031-22	Mutter	Nut		
40	1	1	1	1	1134-3958-01	Remstyrning	Belt guide		
41	2	2	2	2	9893-0616-16	Skruv	Screw		
42	1	1	1	1	1134-0041-03	Hylsa	Collar		
43	1	1	1	1	9997-1070-12	Skruv	Screw		
44	1	1	1	1	9739-1031-22	Mutter	Nut		
45	1	1	1	1	1134-3654-01	Fingerskydd	Finger guard		
46	2	2	2	2	9959-0612-16	Skruv	Screw		
47	2	2	2	2	9739-0631-22	Mutter	Nut		
48	1	1	1	1	9699-0090-02	Planbricka	Flat washer		
49	2	2	2	2	9699-0035-02	Planbricka	Flat washer		