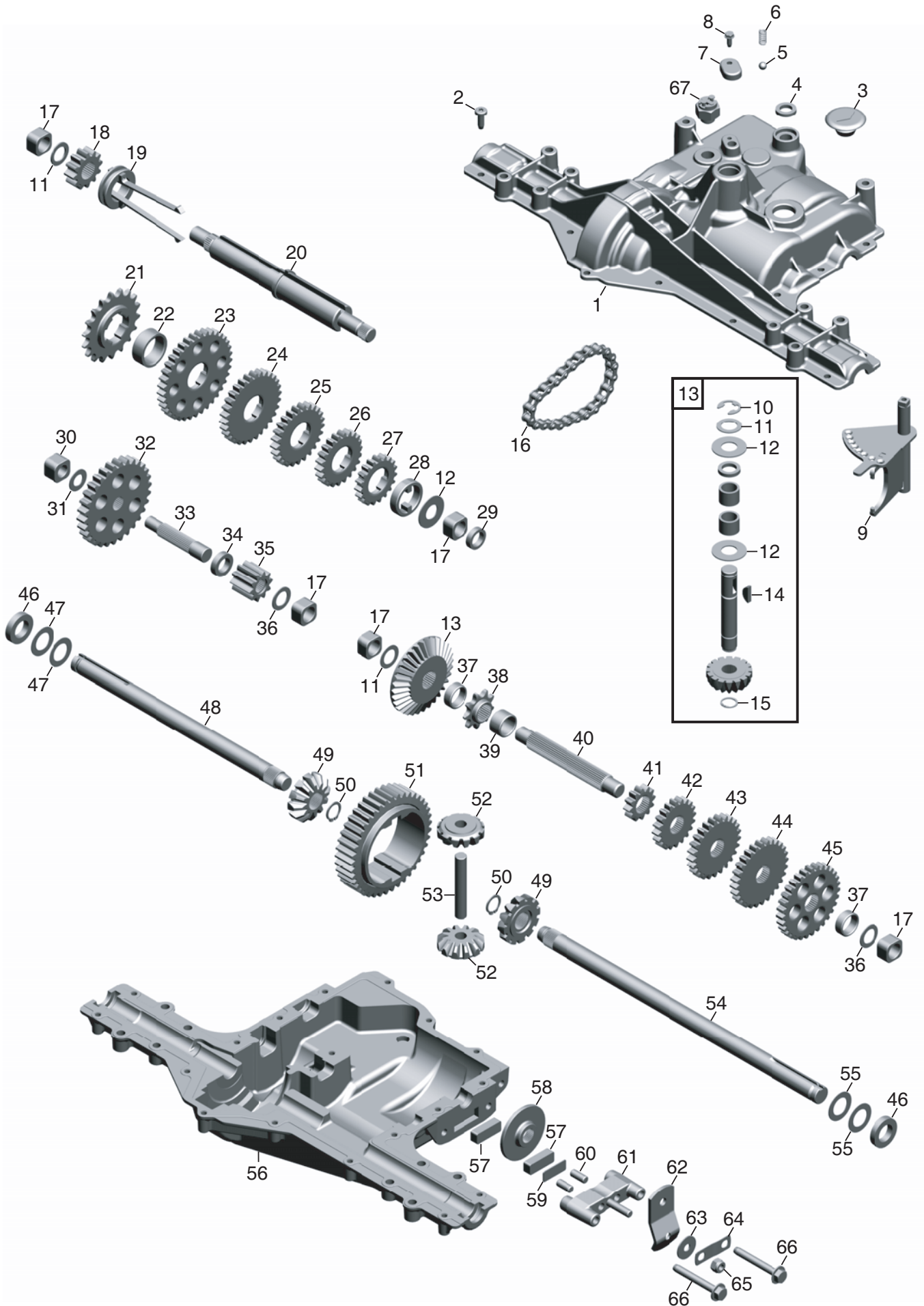
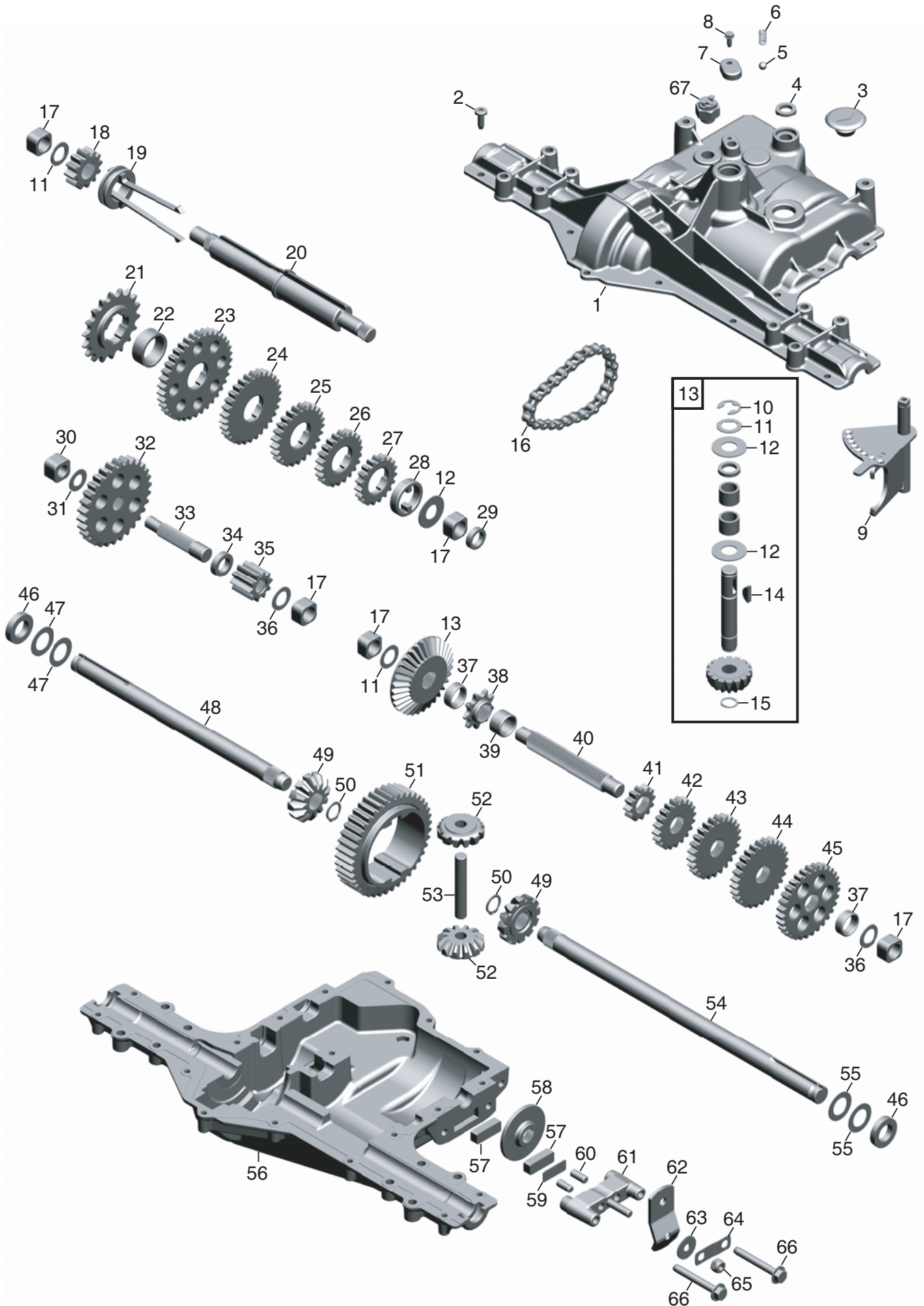


Genuine Spare Parts

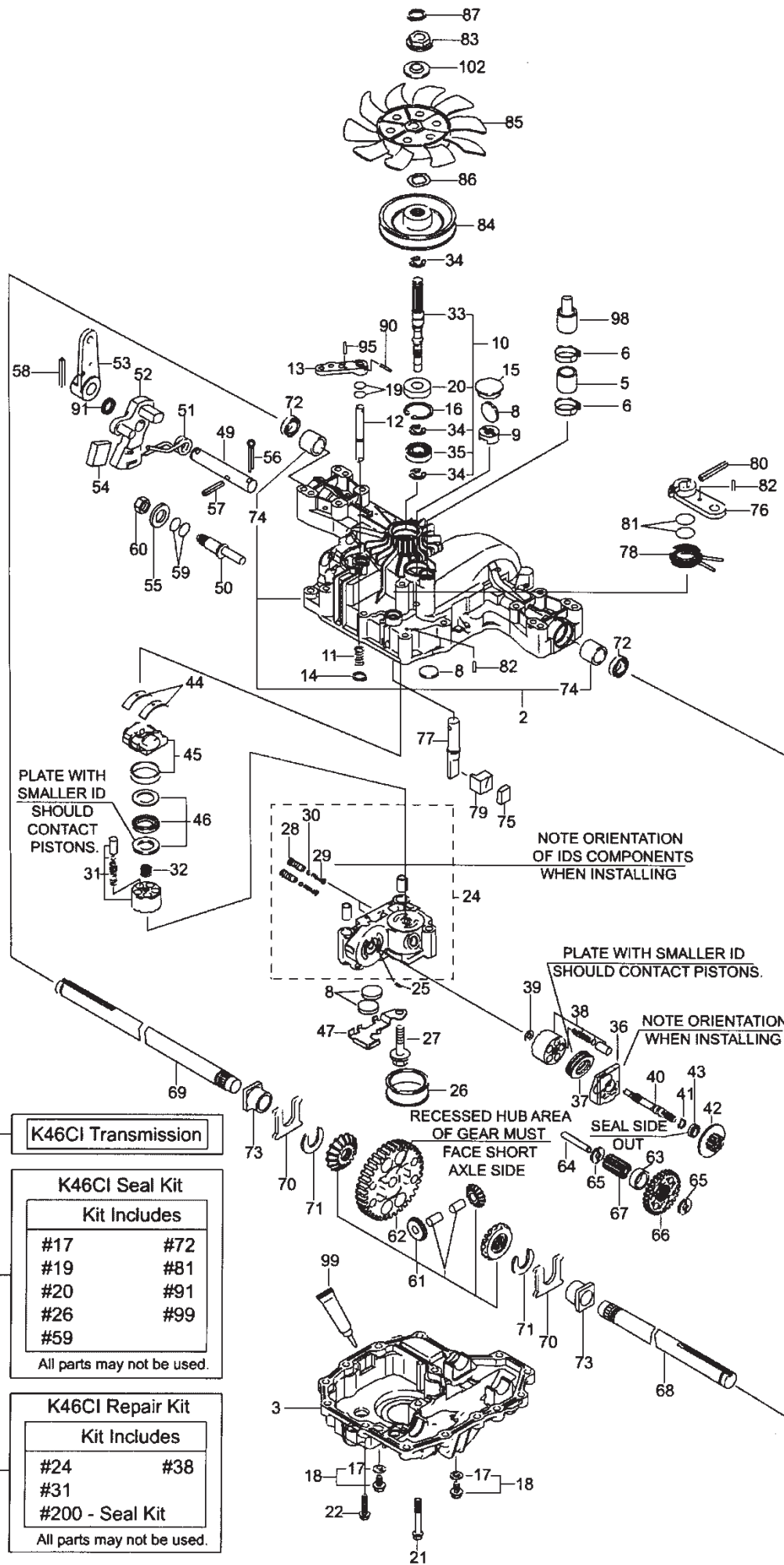




| Utgåva Issue | | Bildnr Picture No | | DANA TRANSAXEL | | DANA TRANSAXLE | | Sida Page | |
|-----------------|----------------|----------------------|--|--------------------|----------------------------|---------------------------|--------------------|---|--|
| 2009- 11 | | 2215 | | 6800- 7 6800- 8 | | 6800- 7 6800- 8 | | 416 | |
| Pos. Fig. | Antal/Quantity | | | Art nr Part No | Benämning | Description | Sats Kit | Anmärkning Notes | |
| | 6800 -7 | 6800 -8 | | | | | | | |
| 0 | 1 | | | 1134-6338-01 | Transaxel kpl..... | Transaxle assy..... | | DANA 6800- 7 DANA 6800- 8 Inkl. pos 4, 7- 8 | |
| 0 | | 1 | | 1134-6349-01 | Transaxel kpl..... | Transaxle assy..... | | | |
| 1 | 1 | | | F000-6768-00 | Hus- övre kpl | Housing- upper assy | | | |
| 1 | | 1 | | F000-6769-00 | Hus- övre kpl | Housing- upper assy | | | |
| 2 | 18 | 18 | | F000-1919-00 | Skruv | Screw | | | |
| 3 | 1 | 1 | | F004-1356-00 | Gummiplugg..... | Rubber plug | | | |
| 4 | 1 | 1 | | F000-7089-00 | • Tätningsring | • Oil seal | | | |
| 5 | 1 | 1 | | F000-5947-00 | Kula | Ball | | | |
| 6 | 1 | 1 | | F000-5948-00 | Fjäder..... | Spring | | | |
| 7 | 1 | 1 | | F000-7101-00 | • Lock..... | • Detent cover | | | |
| 8 | 1 | 1 | | F084-0052-00 | • Skruv | • Screw | | | |
| 9 | 1 | 1 | | F000-6670-00 | Växelförare | Shifter | | | |
| 10 | 1 | 1 | | F000-1106-00 | • Låsring | • Retaining ring..... | | | |
| 11 | 3 | 3 | | F000-4689-00 | • Sats- shims..... | • Kit- shim..... | | | |
| 12 | 3 | 3 | | F000-3876-00 | • Bricka | • Washer | | | |
| 13 | 1 | 1 | | F000-6753-00 | Ingående axel kpl..... | Input shaft assy | Pos 10- 12, 14- 15 | | |
| 14 | 1 | 1 | | F000-1746-00 | • Kil | • Key | | | |
| 15 | 1 | 1 | | F000-3956-00 | • Låsring | • Retaining ring..... | | | |
| 16 | 1 | 1 | | F000-3625-00 | Kedja | Chain..... | | | |
| 17 | 5 | 5 | | F000-7091-00 | Bussning | Bushing..... | | | |
| 18 | 1 | 1 | | F000-7080-00 | Drev | Spur gear | 12T | | |
| 19 | 1 | 1 | | F000-6692-00 | Växelkrage..... | Shift collar..... | | | |
| 20 | 1 | 1 | | F000-7086-00 | Axel | Intermediate shaft..... | | | |
| 21 | 1 | 1 | | F000-3830-00 | Kedjehjul..... | Sprocket..... | 18T | | |
| 22 | 1 | 1 | | F000-7094-00 | Distans | Spacer | | | |
| 23 | 1 | 1 | | F000-5365-00 | Drev | Gear, spur | 37T | | |
| 24 | 1 | 1 | | F000-3867-00 | Drev | Gear, spur | 30T | | |
| 25 | 1 | 1 | | F000-3783-00 | Drev..... | Gear, spur | 25T | | |
| 26 | 1 | 1 | | F000-3869-00 | Drev..... | Gear, spur | 22T | | |
| 27 | 1 | 1 | | F000-5202-00 | Drev..... | Gear, spur | 19T | | |
| 28 | 1 | 1 | | F000-5027-00 | Distans | Spacer | | | |
| 29 | 1 | 1 | | F000-7115-00 | Tätningring | Oil seal | | | |
| 30 | 1 | 1 | | F000-7092-00 | Bussning | Bushing..... | | | |
| 31 | 1 | 1 | | F000-3890-00 | Bricka | Plain washer | | | |
| 32 | 1 | 1 | | F000-7079-00 | Drev | Spur gear | 30T | | |
| 33 | 1 | 1 | | F000-7083-00 | Axel | Idler shaft..... | | | |
| 34 | 1 | 1 | | F000-3410-00 | Distans | Spacer | | | |
| 35 | 1 | 1 | | F000-5180-00 | Drev | Spur gear | 10T | | |
| 36 | 2 | 2 | | F000-1425-00 | Bricka | Washer..... | | | |
| 37 | 2 | 2 | | F000-3714-00 | Distans | Spacer | | | |
| 38 | 1 | 1 | | F000-3645-00 | Kedjehjul..... | Sprocket..... | 9T | | |
| 39 | 1 | 1 | | F000-7162-00 | Distans | Spacer | | | |
| 40 | 1 | 1 | | F000-7084-00 | Axel | Drive shaft..... | | | |
| 41 | 1 | 1 | | F000-5364-00 | Drev..... | Gear, spur | 12T | | |
| 42 | 1 | 1 | | F000-3866-00 | Drev..... | Gear, spur | 20T | | |
| 43 | 1 | 1 | | F000-3719-00 | Drev..... | Gear, spur | 25T | | |
| 44 | 1 | 1 | | F000-3868-00 | Drev..... | Gear, spur | 28T | | |
| 45 | 1 | 1 | | F000-3683-00 | Drev..... | Gear, spur | 31T | | |
| 46 | 2 | 2 | | F000-7088-00 | Tätningring | Oil seal | | | |
| 47 | 2 | 2 | | F000-3184-00 | Bricka | Washer..... | | | |
| 48 | 1 | | | F000-7165-10 | Hjulaxel- vä | Wheel axle- LH | | | |
| 48 | | 1 | | F000-7166-10 | Hjulaxel- vä | Wheel axle- LH | | | |
| 49 | 2 | 2 | | F000-5622-00 | Drev..... | Miter gear | 12T | | |
| 50 | 2 | 2 | | F000-5270-00 | Låsring | Retaining ring | | | |
| 51 | 1 | 1 | | F000-5181-00 | Drev..... | Spur gear | 41T | | |
| 52 | 2 | 2 | | F000-5623-00 | Drev..... | Miter gear | 12T | | |
| 53 | 1 | 1 | | F000-3919-00 | Axel | Cross shaft..... | | | |
| 54 | 1 | | | F000-7165-20 | Hjulaxel- hö..... | Wheel axle- RH..... | | | |
| 54 | | 1 | | F000-7166-20 | Hjulaxel- hö..... | Wheel axle- RH..... | | | |
| 55 | 1 | 1 | | F000-4691-00 | Sats- shims..... | Kit- shim..... | | | |
| 56 | 1 | 1 | | F000-7071-A0 | Hus- nedre..... | Housing- lower | | | |
| 57 | 1 | 1 | | F000-6754-00 | Friktionsbelägg- sats..... | Friction puck kit | | | |
| 58 | 1 | 1 | | F000-7103-00 | Bromsskiva..... | Brake disc | | | |



| Utgåva Issue 2009- 11 | | Bildnr Picture No 2215 | | DANA TRANSAXEL 6800- 7 6800- 8 | | DANA TRANSAXLE 6800- 7 6800- 8 | | Sida Page 418 | |
|-----------------------------|----------------|------------------------------|--|---|-------------------|---|-----------------------|---------------------|---------------------|
| Pos. Fig. | Antal/Quantity | | | | Art nr Part No | Benämning | Description | Sats Kit | Anmärkning Notes |
| | 6800 -7 | 6800 -8 | | | | | | | |
| 59 | 1 | 1 | | | F000- 3758- 00 | Distans | Spacer | | |
| 60 | 2 | 2 | | | F000- 3843- 00 | Pinne | Dowel pin | | |
| 61 | 1 | 1 | | | F000- 5554- 00 | Bromshållare | Brake jaw | | |
| 62 | | 1 | | | F000- 7029- 00 | Bromsarm | Actuating lever | | |
| 62 | 1 | | | | F000- 7032- 00 | Bromsarm | Actuating lever | | |
| 63 | 1 | 1 | | | F000- 3760- 00 | Bricka | Washer | | |
| 64 | 1 | 1 | | | F000- 5555- 00 | Bricka | Bracket | | |
| 65 | 1 | 1 | | | F000- 3847- 00 | Låsmutter | Lock nut | | |
| 66 | 2 | 2 | | | F000- 5562- 00 | Skruv | Screw | | |
| 67 | | 1 | | | F000- 7034- 00 | Brytare | Switch | | |



1- K46CI Transmission

K46CI Seal Kit

Kit Includes

| | |
|-----|-----|
| #17 | #72 |
| #19 | #81 |
| #20 | #91 |
| #26 | #99 |
| #59 | |

All parts may not be used.

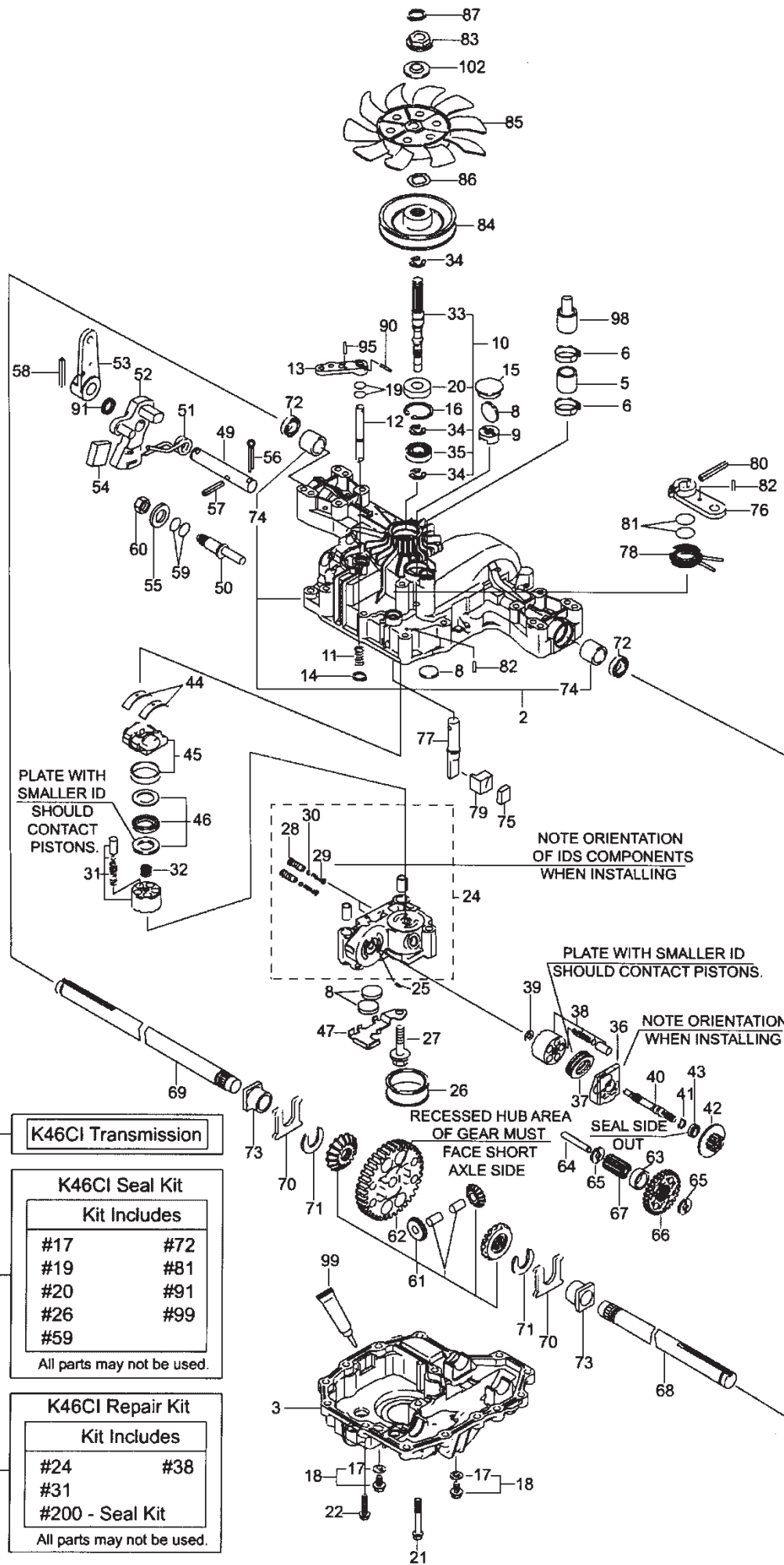
K46CI Repair Kit

Kit Includes

| | |
|-----------------|-----|
| #24 | #38 |
| #31 | |
| #200 - Seal Kit | |

All parts may not be used.

| Utgåva Issue | Bildnr Picture No | KANZAKI TRANSAXEL K46CI (s/n 0000001-) | | KANZAKI TRANSAXLE K46CI (s/n 0000001-) | | Sida Page | | | |
|-----------------|----------------------|--|--|--|----------------------------|----------------------------|-------------|---------------|---------------------|
| 2009- 11 | 2547 | | | | | 420 | | | |
| Pos. Fig. | Antal/Quantity | | | | Art nr Part No | Benämning | Description | Sats Kit | Anmärkning Notes |
| | K46 CI | | | | | | | | |
| 1 | 1 | | | 1134-7767-01 | Transaxel kpl..... | Transaxle assy..... | | Kanzaki K46CI | |
| 2 | 1 | | | 1139-1470-01 | Hus- övre | Housing- upper | | | |
| 3 | 1 | | | 1139-1402-01 | Hus- nedre | Case- lower | | | |
| 5 | 1 | | | 1139-1301-01 | Rör | Tube | | | |
| 6 | 2 | | | 1139-1336-01 | Slangklämma..... | Hose clamp | | | |
| 8 | 2 | | | 1139-1150-01 | Magnet | Magnet..... | | | |
| 9 | 1 | | | 1139-1341-01 | Hållare- magnet | Holder- magnet | | | |
| 10 | 1 | | | 1139-1511-01 | Pumpaxel kpl..... | Pump shaft kit..... | | | |
| 11 | 1 | | | 1139-1347-01 | Fjäder..... | Spring | | | |
| 12 | 1 | | | 1139-1251-01 | Axel- bypass | Shaft- bypass | | | |
| 13 | 1 | | | 1139-1189-01 | Arm- bypass | Lever- bypass..... | | | |
| 14 | 1 | | | 1139-1161-01 | Låsring | Ring | | | |
| 15 | 1 | | | 1139-1275-01 | Plugg..... | Bore plug | | | |
| 16 | 1 | | | 1139-1104-01 | • Låsring | • Snap ring | | | |
| 17 | 2 | | | 1139-1103-01 | • Tätningsbricka | • Seal washer..... | S | | |
| 18 | 2 | | | 1139-1500-01 | Dräneringsskruv | Drain bolt kit | | | |
| 21 | 2 | | | 1139-1295-01 | Skruv | Tapping screw..... | | | |
| 22 | 14 | | | 1139-0244-01 | Skruv | Tapping screw..... | | | |
| 24 | 1 | | | 1139-1599-01 | Centrumhus | Center case assy | | | |
| 25 | 1 | | | 1139-1158-01 | Stift..... | Pin | | | |
| 26 | 1 | | | 1139-1405-01 | Filter | Filter | S | | |
| 27 | 3 | | | 1139-1294-01 | Bult..... | Bolt | | | |
| 28 | 2 | | | 1139-1468-01 | Ventil | Valve | | | |
| 29 | 2 | | | 1139-1243-01 | Fjäder..... | Spring | | | |
| 30 | 2 | | | 1139-1307-01 | Filter | Filter | | | |
| 31 | 1 | | | 1139-1356-01 | Cylinderblock kpl | Cylinder block assy | | | |
| 32 | 1 | | | 1139-1245-01 | Fjäder..... | Spring | | | |
| 33 | 1 | | | 1139-1246-01 | • Pumpaxel..... | • Pump shaft..... | | | |
| 34 | 3 | | | 1139-1146-01 | • Låsring | • Ring | | | |
| 35 | 1 | | | 1139-1110-01 | • Kullager | • Ball bearing | | | |
| 36 | 1 | | | 1139-1157-01 | Hus | Housing | | | |
| 37 | 1 | | | 1139-1501-01 | Lager | Bearing..... | | | |
| 38 | 1 | | | 1139-1454-01 | Cylinderblock kpl | Cylinder block assy | | | |
| 39 | 1 | | | 1139-1160-01 | Bricka | Washer..... | | | |
| 40 | 1 | | | 1139-1353-01 | Motoraxel | Motor shaft | | | |
| 41 | 1 | | | 1139-1021-01 | Låsring | Snap ring | | | |
| 42 | 1 | | | 1139-1272-01 | Motordrev..... | Motor gear | | | |
| 43 | 1 | | | 1139-1453-01 | Lager | Bearing..... | | | |
| 44 | 2 | | | 1139-1066-01 | Tryckplatta | Metal thrust..... | | | |
| 45 | 1 | | | 1139-1597-01 | Stänkplatta kpl | Swash plate assy | | | |
| 46 | 1 | | | 1139-1508-01 | Lager | Bearing..... | | | |
| 47 | 1 | | | 1139-1598-01 | Magnethållare | Magnet holder | | | |
| 49 | 1 | | | 1139-1354-01 | Regleraxel..... | Control shaft | | | |
| 50 | 1 | | | 1139-1410-01 | Vridcentrum..... | Fulcrum..... | | | |
| 51 | 1 | | | 1139-1312-01 | Fjäder..... | Spring | | | |
| 52 | 1 | | | 1139-1409-01 | Reglerarm..... | Control arm | | | |
| 53 | 1 | | | 1139-1325-01 | Reglerarm..... | Control lever | | | |
| 54 | 1 | | | 1139-1596-01 | Ryckplatta..... | Jerky plate..... | | | |
| 55 | 1 | | | 1139-1102-01 | Bricka | Washer..... | | | |
| 56 | 1 | | | 1139-1355-01 | Saxpinne..... | Cotter pin | | | |
| 57 | 1 | | | 1139-1329-01 | Stift..... | Pin | | | |
| 58 | 1 | | | 1139-1285-01 | Stift..... | Pin | | | |
| 60 | 1 | | | 1139-1127-01 | Mutter..... | Nut | | | |
| 61 | 1 | | | 1139-1404-01 | Differentialdrev kpl | Differential gear kit..... | | | |
| 62 | 1 | | | 1139-1258-01 | Slutdrev | Final gear | | | |
| 63 | 1 | | | 1139-1255-01 | Hylsa | Collar | | | |
| 64 | 1 | | | 1139-1256-01 | Reduktionsaxel | Reduction shaft..... | | | |
| 65 | 2 | | | 1139-1257-01 | Bricka | Washer..... | | | |
| 66 | 1 | | | 1139-1267-01 | Reduktionsdrev | Reduction gear..... | | | |
| 67 | 1 | | | 1139-1361-01 | Slutdrev | Final pinion | | | |
| 68 | 1 | | | 1139-1344-01 | Hjulaxel- vä | Axle shaft- left | | | |
| 69 | 1 | | | 1139-1345-01 | Hjulaxel- hö | Axle shaft- right..... | | | |
| 70 | 2 | | | 1139-1078-01 | Tryckbricka | Thrust washer | | | |



1 K46CI Transmission

K46CI Seal Kit

Kit Includes

| | |
|-----|-----|
| #17 | #72 |
| #19 | #81 |
| #20 | #91 |
| #26 | #99 |
| #59 | |

All parts may not be used.

K46CI Repair Kit

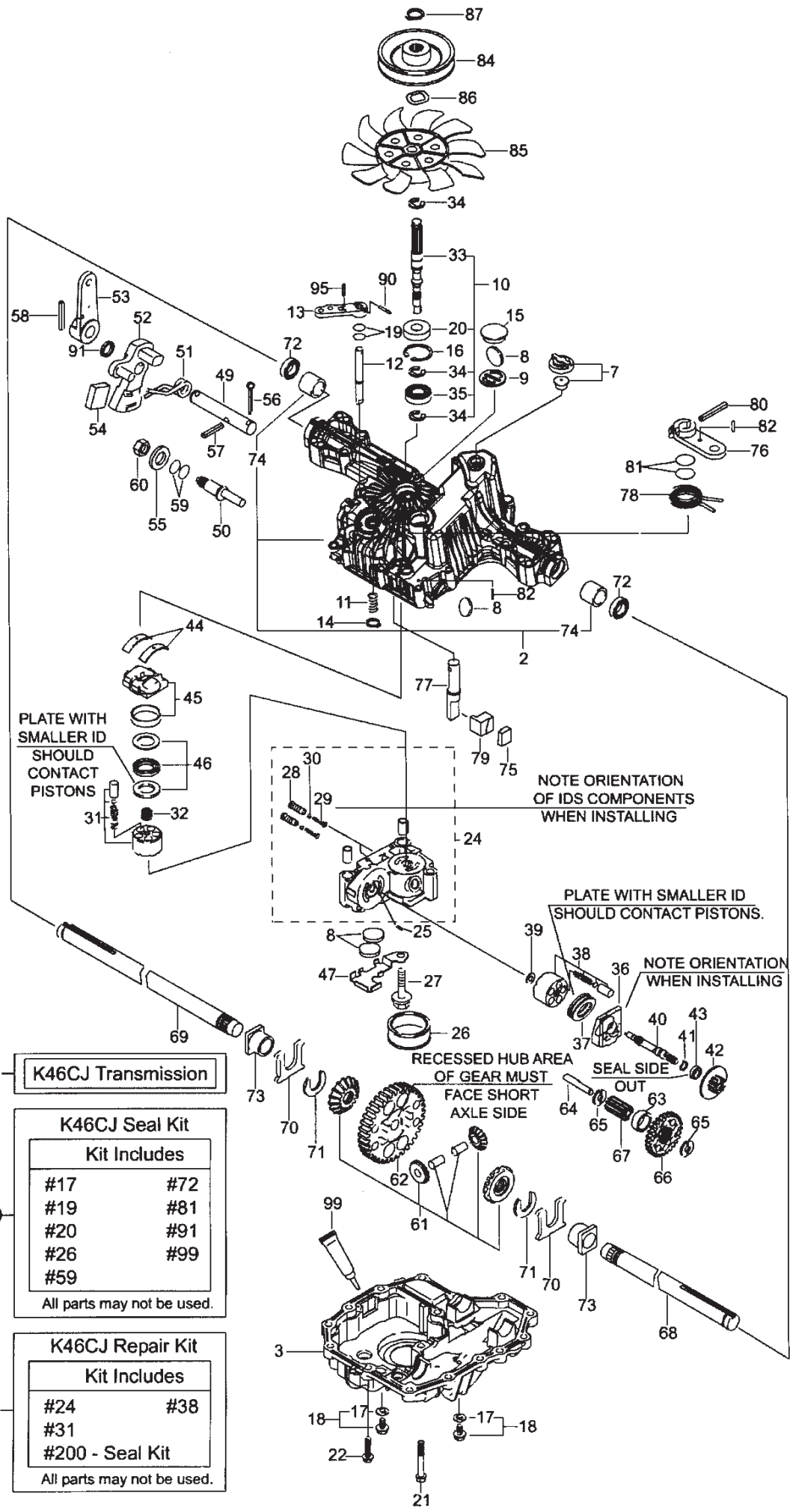
Kit Includes

| | |
|-----------------|-----|
| #24 | #38 |
| #31 | |
| #200 - Seal Kit | |

All parts may not be used.

| Utgåva Issue 2009- 11 | | Bildnr Picture No 2547 | | KANZAKI TRANSAXEL K46CI (s/n 0000001-) | | KANZAKI TRANSAXLE K46CI (s/n 0000001-) | | Sida Page 422 | |
|-----------------------------|----------------|------------------------------|--|--|----------------------------------|--|-------------|---------------------|---------------------|
| Pos. Fig. | Antal/Quantity | | | | Art nr Part No | Benämning | Description | Sats Kit | Anmärkning Notes |
| | K46 CI | | | | | | | | |
| 71 | 2 | | | | 1139-1163-01 Låsring | Ring | | S | |
| 72 | 2 | | | | 1139-1080-01 Tätning | Seal | | | |
| 73 | 2 | | | | 1139-1164-01 Bussning | Bushing..... | | | |
| 74 | 2 | | | | 1139-1414-01 • Bussning..... | • Bushing..... | | | |
| 75 | 1 | | | | 1139-1260-01 Bromssko | Brake shoe | | | |
| 76 | 1 | | | | 1139-1261-01 Bromsarm | Brake arm | | | |
| 77 | 1 | | | | 1139-1320-01 Bromsaxel | Brake shaft..... | | | |
| 78 | 1 | | | | 1139-1411-01 Returfjäder | Return spring | | | |
| 79 | 1 | | | | 1139-1264-01 Bromstryckare | Brake actuator | | | |
| 80 | 1 | | | | 1139-1282-01 Stift..... | Pin | | | |
| 82 | 2 | | | | 1139-1281-01 Stift..... | Pin | | | |
| 83 | 1 | | | | 1139-1248-01 Krage..... | Spline collar | | | |
| 84 | 1 | | | | 1139-1484-01 Remskiva..... | Pulley | | | |
| 85 | 1 | | | | 1134-4190-01 Fläkt..... | Fan | | | |
| 86 | 1 | | | | 1139-1266-01 Låsbricka | Lock washer | | | |
| 87 | 1 | | | | 1139-1149-01 Låsring | Snap ring | | | |
| 90 | 1 | | | | 1139-1280-01 Stift..... | Pin | | | |
| 95 | 1 | | | | 1139-1279-01 Stift..... | Pin | | | |
| 98 | 1 | | | | 1139-1306-01 Adapter..... | Adapter | | | |
| 99 | 1 | | | | 1139-1443-01 Tätningsmedel | Sealant | S | | |
| 102 | 1 | | | | 1139-1276-01 Bricka | Collar | | | |
| 200 | 1 | | | | 1139-1403-01 Packningssats | Seal kit | | | |
| 201 | 1 | | | | 1139-1600-01 Rep.sats | Repair kit..... | | | |

Märkta S/Marked S



1- **K46CJ Transmission**

200- **K46CJ Seal Kit**

| Kit Includes | |
|--------------|-----|
| #17 | #72 |
| #19 | #81 |
| #20 | #91 |
| #26 | #99 |
| #59 | |

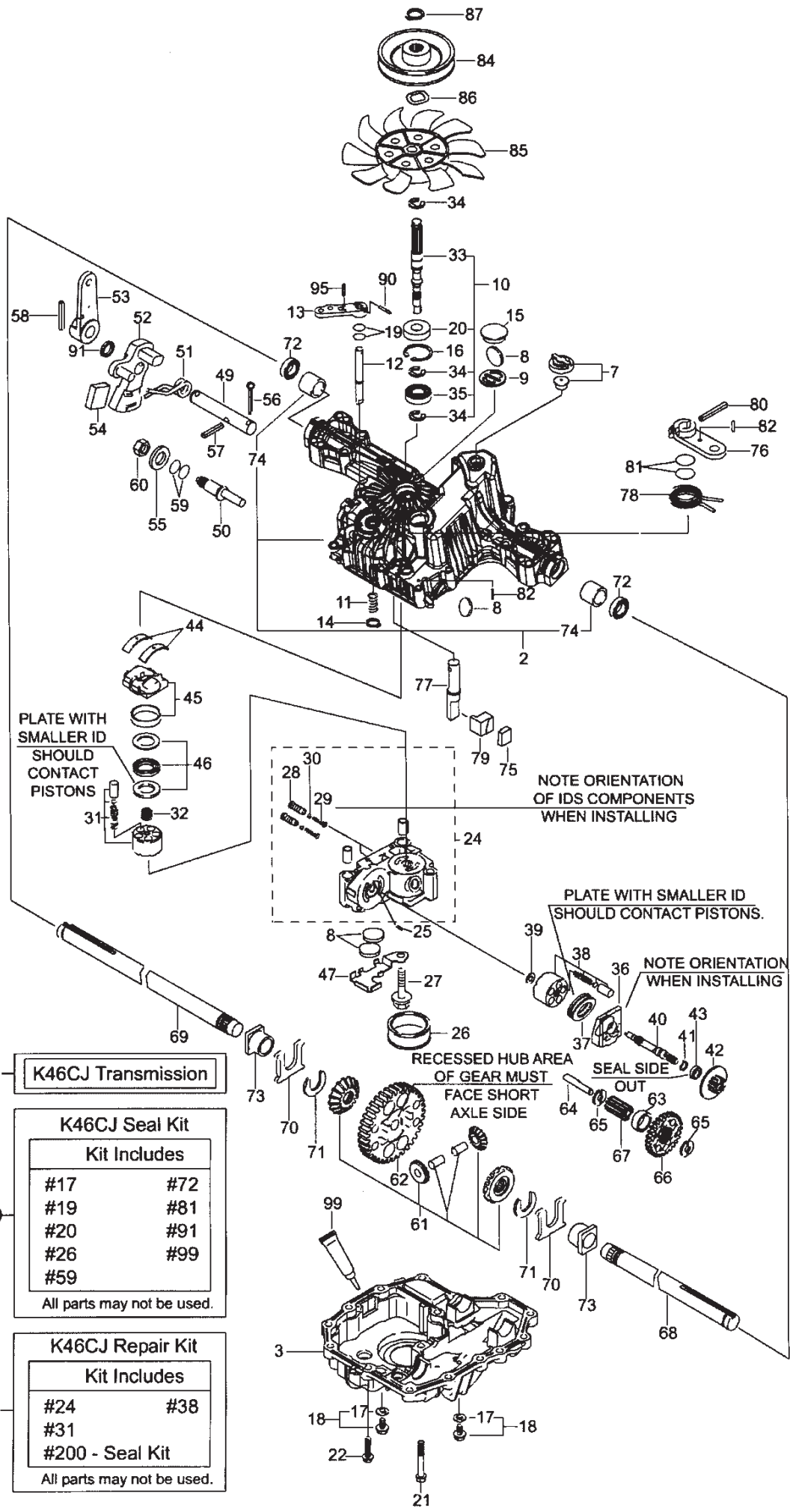
All parts may not be used.

201- **K46CJ Repair Kit**

| Kit Includes | |
|-----------------|-----|
| #24 | #38 |
| #31 | |
| #200 - Seal Kit | |

All parts may not be used.

| Utgåva Issue 2009- 11 | | Bildnr Picture No 2546 | | KANZAKI TRANSAXEL K46CJ (s/n 0000001-) | | KANZAKI TRANSAXLE K46CJ (s/n 0000001-) | | Sida Page 424 | |
|-----------------------------|----------------|------------------------------|--|--|-------------------|--|----------------------------|---------------------|---------------------|
| Pos. Fig. | Antal/Quantity | | | | Art nr Part No | Benämning | Description | Sats Kit | Anmärkning Notes |
| | K46 CJ | | | | | | | | |
| 1 | 1 | | | | 1134-7766-01 | Transaxel kpl..... | Transaxle assy..... | | Kanzaki K46CJ |
| 2 | 1 | | | | 1139-1485-01 | Hus- övre | Housing- upper | | |
| 3 | 1 | | | | 1139-1402-01 | Hus- nedre | Case- lower | | |
| 7 | 1 | | | | 1139-1595-01 | Ventil kpl..... | Vent valve assy | | |
| 8 | 2 | | | | 1139-1150-01 | Magnet | Magnet..... | S | |
| 9 | 1 | | | | 1139-1341-01 | Hållare- magnet | Holder- magnet | | |
| 10 | 1 | | | | 1139-1499-01 | Pumpaxel kpl..... | Pump shaft kit..... | | |
| 11 | 1 | | | | 1139-1347-01 | Fjäder..... | Spring | | |
| 12 | 1 | | | | 1139-1324-01 | Axel- bypass | Shaft- bypass | | |
| 13 | 1 | | | | 1139-1189-01 | Arm- bypass | Lever- bypass | | |
| 14 | 1 | | | | 1139-1161-01 | Låsring | Ring | | |
| 15 | 1 | | | | 1139-1275-01 | Plugg..... | Bore plug | | |
| 16 | 1 | | | | 1139-1104-01 | Låsring | Snap ring | | |
| 17 | 2 | | | | 1139-1103-01 | • Tätningbricka | • Seal washer..... | S | |
| 18 | 2 | | | | 1139-1500-01 | Dräneringsskruv | Drain bolt kit | | |
| 21 | 2 | | | | 1139-1295-01 | Skruv..... | Tapping screw..... | | |
| 22 | 14 | | | | 1139-0244-01 | Skruv..... | Tapping screw..... | | |
| 24 | 1 | | | | 1139-1599-01 | Centrumhus | Center case assy | | |
| 25 | 1 | | | | 1139-1158-01 | Stift..... | Pin | | |
| 26 | 1 | | | | 1139-1405-01 | Filter | Filter | S | |
| 27 | 3 | | | | 1139-1294-01 | Bult | Bolt | | |
| 28 | 2 | | | | 1139-1468-01 | Ventil | Valve | | |
| 29 | 2 | | | | 1139-1243-01 | Fjäder..... | Spring | | |
| 30 | 2 | | | | 1139-1307-01 | Filter | Filter | | |
| 31 | 1 | | | | 1139-1356-01 | Cylinderblock kpl | Cylinder block assy | | |
| 32 | 1 | | | | 1139-1245-01 | Fjäder..... | Spring | | |
| 33 | 1 | | | | 1139-1406-01 | • Pumpaxel..... | • Pump shaft..... | | |
| 34 | 3 | | | | 1139-1146-01 | • Låsring | • Ring | | |
| 35 | 1 | | | | 1139-1110-01 | • Kullager | • Ball bearing | | |
| 36 | 1 | | | | 1139-1157-01 | Hus..... | Housing | | |
| 37 | 1 | | | | 1139-1501-01 | Lager | Bearing..... | | |
| 38 | 1 | | | | 1139-1454-01 | Cylinderblock kpl | Cylinder block assy | | |
| 39 | 1 | | | | 1139-1160-01 | Bricka | Washer..... | | |
| 40 | 1 | | | | 1139-1353-01 | Motoraxel | Motor shaft | | |
| 41 | 1 | | | | 1139-1021-01 | Låsring | Snap ring | | |
| 42 | 1 | | | | 1139-1272-01 | Motordrev..... | Motor gear | | |
| 43 | 1 | | | | 1139-1453-01 | Lager | Bearing..... | | |
| 44 | 2 | | | | 1139-1066-01 | Tryckplatta | Metal thrust..... | | |
| 45 | 1 | | | | 1139-1597-01 | Stänklatta kpl..... | Swash plate assy | | |
| 46 | 1 | | | | 1139-1508-01 | Lager | Bearing..... | | |
| 47 | 1 | | | | 1139-1598-01 | Magnethållare..... | Magnet holder..... | | |
| 49 | 1 | | | | 1139-1354-01 | Regleraxel..... | Control shaft | | |
| 50 | 1 | | | | 1139-1410-01 | Excenter..... | Fulcrum..... | | |
| 51 | 1 | | | | 1139-1312-01 | Fjäder..... | Spring | | |
| 52 | 1 | | | | 1139-1409-01 | Reglerarm..... | Control arm..... | | |
| 53 | 1 | | | | 1139-1325-01 | Reglerarm..... | Control lever | | |
| 54 | 1 | | | | 1139-1596-01 | Ryckplatta..... | Jerky plate..... | | |
| 55 | 1 | | | | 1139-1102-01 | Bricka | Washer..... | | |
| 56 | 1 | | | | 1139-1355-01 | Saxpinne..... | Cotter pin | | |
| 57 | 1 | | | | 1139-1329-01 | Stift..... | Pin | | |
| 58 | 1 | | | | 1139-1285-01 | Stift..... | Pin | | |
| 60 | 1 | | | | 1139-1127-01 | Mutter..... | Nut | | |
| 61 | 1 | | | | 1139-1404-01 | Differentialdrev kpl | Differential gear kit..... | | |
| 62 | 1 | | | | 1139-1258-01 | Slutdrev | Final gear | | |
| 63 | 1 | | | | 1139-1255-01 | Hylsa | Collar | | |
| 64 | 1 | | | | 1139-1256-01 | Reduktionsaxel | Reduction shaft..... | | |
| 65 | 2 | | | | 1139-1257-01 | Bricka | Washer..... | | |
| 66 | 1 | | | | 1139-1267-01 | Reduktionsdrev | Reduction gear..... | | |
| 67 | 1 | | | | 1139-1361-01 | Slutdrev | Final pinion | | |
| 68 | 1 | | | | 1139-1342-01 | Hjulaxel- vä | Axle shaft- left | | |
| 69 | 1 | | | | 1139-1343-01 | Hjulaxel- hö | Axle shaft- right..... | | |
| 70 | 2 | | | | 1139-1078-01 | Tryckbricka | Thrust washer | | |
| 71 | 2 | | | | 1139-1163-01 | Låsring | Ring | | |



1- **K46CJ Transmission**

K46CJ Seal Kit

| Kit Includes | |
|--------------|-----|
| #17 | #72 |
| #19 | #81 |
| #20 | #91 |
| #26 | #99 |
| #59 | |

All parts may not be used.

200-

K46CJ Repair Kit

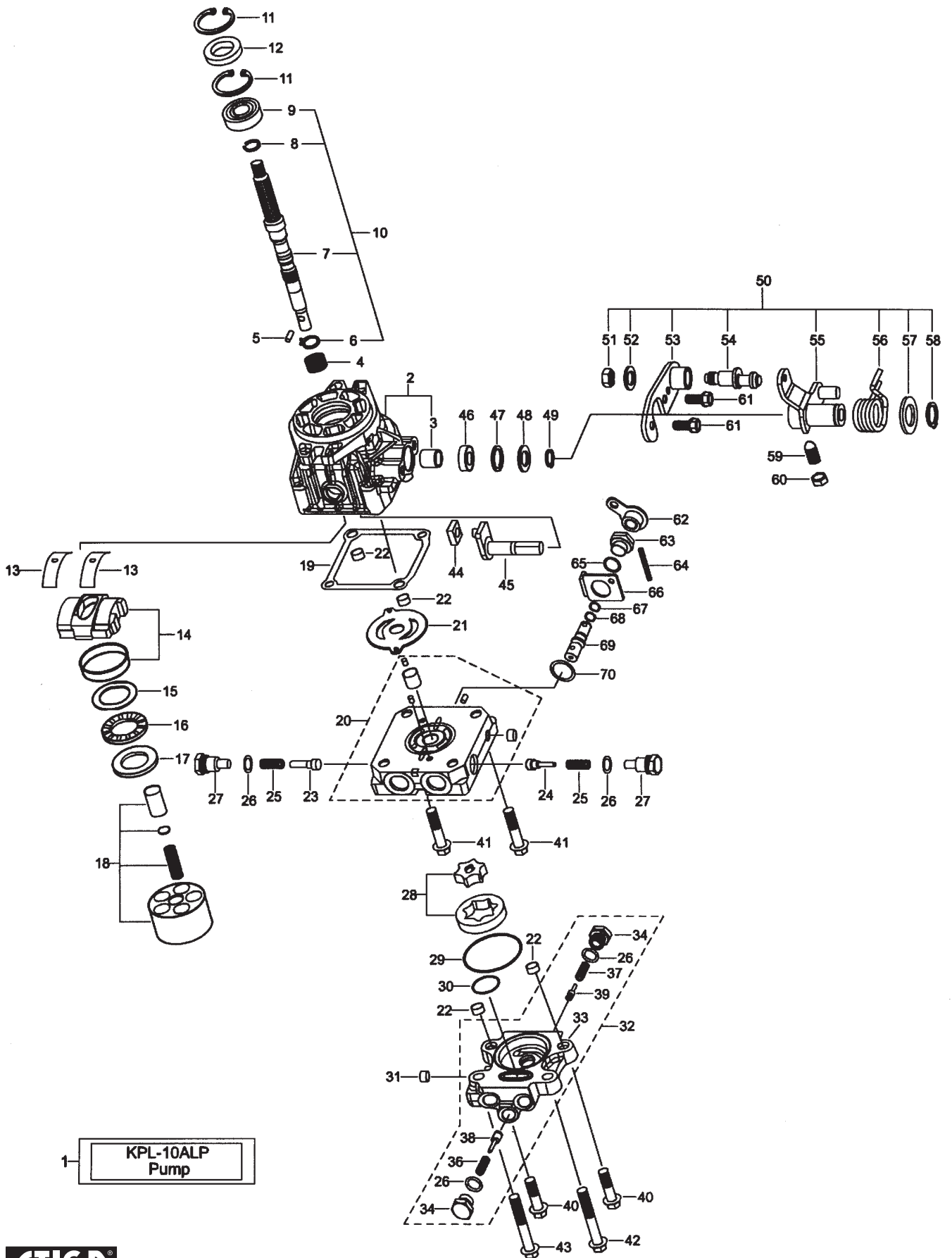
| Kit Includes | |
|-----------------|-----|
| #24 | #38 |
| #31 | |
| #200 - Seal Kit | |

All parts may not be used.

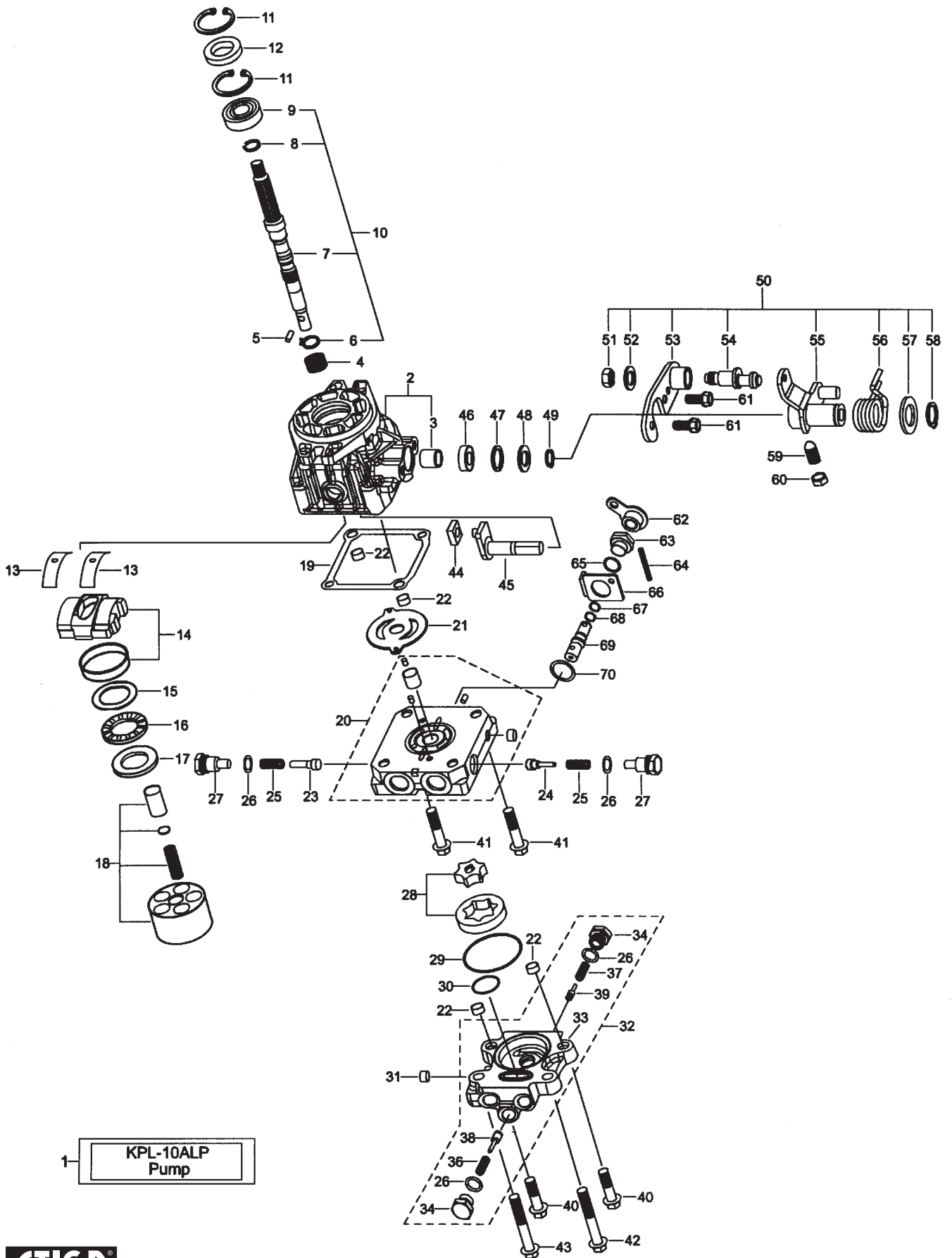
201-



| Utgåva Issue 2009- 11 | | Bildnr Picture No 2546 | | KANZAKI TRANSAXEL K46CJ (s/n 0000001-) | | KANZAKI TRANSAXLE K46CJ (s/n 0000001-) | | Sida Page 426 | |
|-----------------------------|----------------|------------------------------|--|--|-------------------|--|----------------------|---------------------|---------------------|
| Pos. Fig. | Antal/Quantity | | | | Art nr Part No | Benämning | Description | Sats Kit | Anmärkning Notes |
| | K46 CJ | | | | | | | | |
| 72 | 1 | | | | 1139-1080-01 | Tätningring | Seal | S | |
| 73 | 2 | | | | 1139-1164-01 | Bussning | Bushing | | |
| 74 | 2 | | | | 1139-1414-01 | • Bussning | • Bushing | | |
| 75 | 1 | | | | 1139-1260-01 | Bromssko | Brake shoe | | |
| 76 | 1 | | | | 1139-1261-01 | Bromsarm | Brake arm | | |
| 77 | 1 | | | | 1139-1320-01 | Bromsaxel | Brake shaft | | |
| 78 | 1 | | | | 1139-1411-01 | Returfjäder | Return spring | | |
| 79 | 1 | | | | 1139-1264-01 | Bromstryckare | Brake actuator | | |
| 80 | 1 | | | | 1139-1282-01 | Stift | Pin | | |
| 82 | 2 | | | | 1139-1281-01 | Stift | Pin | | |
| 84 | 1 | | | | 1139-1484-01 | Remskiva | Belt pulley | | |
| 85 | 1 | | | | 1134-4190-01 | Fläkt | Fan | | |
| 86 | 1 | | | | 1139-1266-01 | Låsbricka | Lock washer | | |
| 87 | 1 | | | | 1139-1149-01 | Låsring | Snap ring | | |
| 90 | 1 | | | | 1139-1280-01 | Stift | Pin | | |
| 95 | 1 | | | | 1139-1279-01 | Stift | Pin | | |
| 99 | 1 | | | | 1139-1443-01 | Tätningmedel | Sealant | S | |
| 200 | 1 | | | | 1139-1403-01 | Packningssats | Seal kit | | Marked S |
| 201 | 1 | | | | 1139-1600-01 | Rep.sats | Repair kit | | |

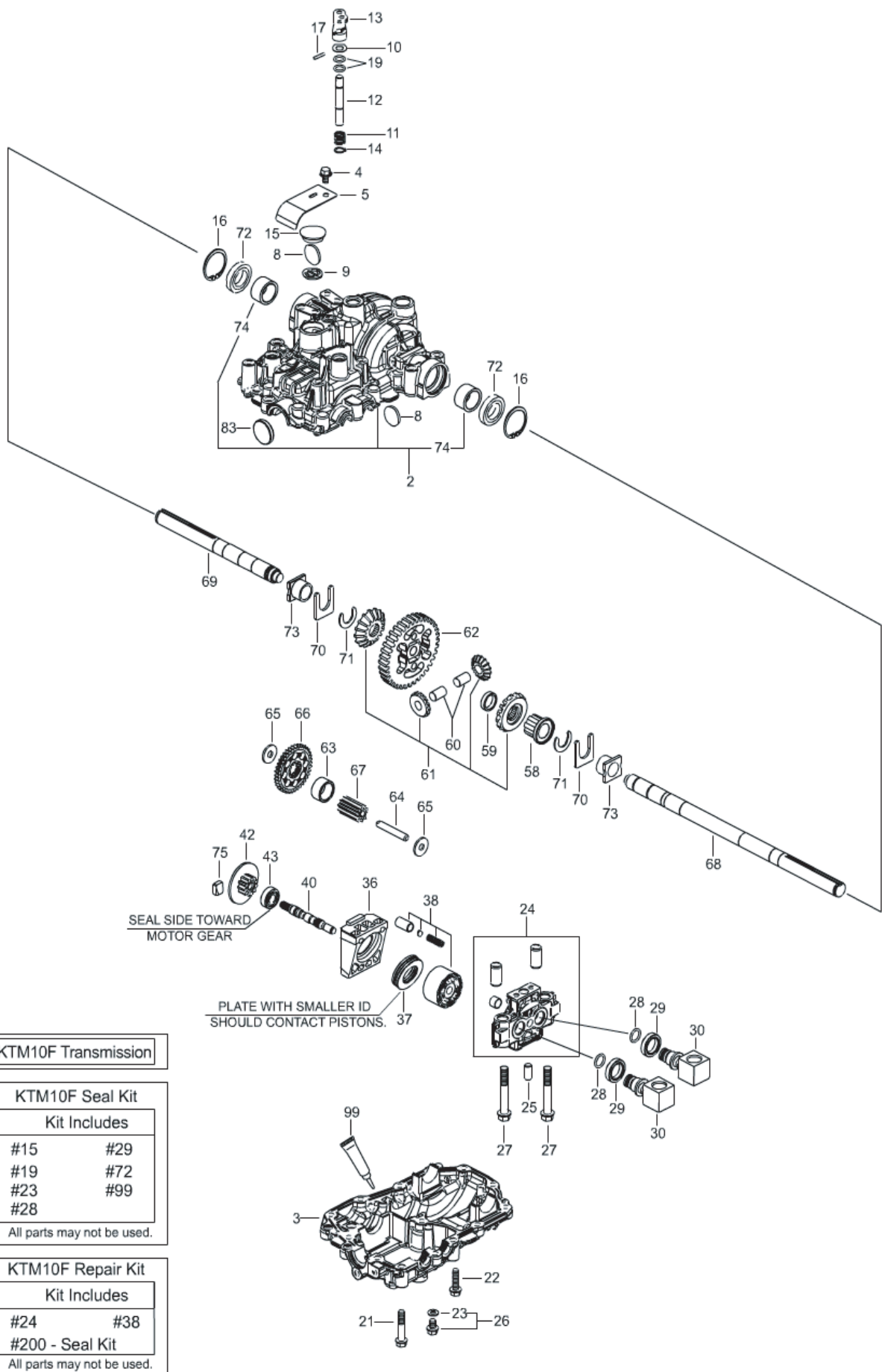


| Utgåva Issue 2009- 11 | | Bildnr Picture No 2424 | | KANZAKI HYDRAULPUMP KPL- 10ALP | | KANZAKI HYDRAULIC PUMP KPL- 10ALP | | Sida Page 428 | |
|-----------------------------|-------------------|------------------------------|--|--------------------------------------|-------------------|---|---------------------------|---------------------|-----------------------------------|
| Pos. Fig. | Antal/Quantity | | | | Art nr Part No | Benämning | Description | Sats Kit | Anmärkning Notes |
| | KPL- 10 ALP | | | | | | | | |
| 1 | 1 | | | | 1134-5700-01 | Hydraulpump kpl | Hydraulic pump assy | | Kanzaki KPL- 10ALP Inkl. pos 3 |
| 2 | 1 | | | | 1139-1514-01 | Hus | Housing | | |
| 3 | 1 | | | | 1139-1512-01 | • Bussning | • Bushing | | |
| 4 | 1 | | | | 1139-1018-01 | Fjäder | Spring | | |
| 5 | 1 | | | | 1139-1148-01 | Stift | Pin | | |
| 6 | 1 | | | | 1139-1021-01 | • Låsring | • Snap ring | | |
| 8 | 1 | | | | 1139-1532-01 | • Låsring | • Retaining ring | | |
| 9 | 1 | | | | 1139-0236-01 | • Kullager | • Ball bearing | | |
| 10 | 1 | | | | 1139-1516-01 | Pumpaxel kpl | Pump shaft assy | Inkl. pos 6-9 | |
| 11 | 2 | | | | 1139-1369-01 | Spårring | Snap ring | | |
| 12 | 1 | | | | 1139-1396-01 | Tätningarring | Seal | | |
| 13 | 2 | | | | 1139-1022-01 | Tryckplatta | Metal thrust | | |
| 14 | 1 | | | | 1139-1523-01 | Stänklatta | Swash plate | | |
| 15 | 1 | | | | 1139-1026-01 | Tryckplatta | Thrust plate | | |
| 16 | 1 | | | | 1139-1024-01 | Lager | Bearing | | |
| 17 | 1 | | | | 1139-1525-01 | Tryckplatta | Thrust plate | | |
| 18 | 1 | | | | 1139-1509-01 | Cylinderblock kpl | Cylinder block kit | | |
| 19 | 1 | | | | 1139-1515-01 | Packning | Case gasket | | |
| 20 | 1 | | | | 1139-1521-01 | Centrumhus | Center case assy | | |
| 21 | 1 | | | | 1139-1513-01 | Ventilplatta | Valve plate | | |
| 22 | 8 | | | | 1139-1166-01 | Tapp | Pin | | |
| 23 | 1 | | | | 1139-1368-01 | Ventil | Check valve F | | |
| 24 | 1 | | | | 1139-1374-01 | Ventil | Check valve R | | |
| 25 | 2 | | | | 1139-1366-01 | Fjäder | Spring | | |
| 27 | 2 | | | | 1139-1367-01 | Plugg | Check plug | | |
| 28 | 1 | | | | 1139-1530-01 | Rotor | Rotor set | | |
| 29 | 1 | | | | 1139-1529-01 | O- ring | Packing | | |
| 30 | 1 | | | | 1139-1533-01 | O- ring | O- ring | | |
| 31 | 1 | | | | 1139-1107-01 | Plugg | Plug | | |
| 32 | 1 | | | | 1139-1518-01 | Pump kpl | Power pump assy | Inkl. pos 26, 33-39 | |
| 33 | 1 | | | | 1139-1519-01 | • Pumphus | • Pump body | | |
| 34 | 2 | | | | 1139-1375-01 | • Plugg | • Charge plug | | |
| 35 | 1 | | | | 1139-1114-01 | O- ring | O- ring | | |
| 36 | 1 | | | | 1139-1376-01 | • Fjäder | • Spring | | |
| 37 | 1 | | | | 1139-1389-01 | • Ventilfjäder | • Valve spring | | |
| 38 | 1 | | | | 1139-1385-01 | • Ventil | • Relief valve | | |
| 39 | 1 | | | | 1139-1386-01 | • Ventil | • Charge valve | | |
| 40 | 2 | | | | 1139-1535-01 | Skruv | Bolt w/washer | | |
| 41 | 4 | | | | 1139-1536-01 | Skruv | Bolt w/washer | | |
| 42 | 1 | | | | 1139-1537-01 | Skruv | Bolt w/washer | | |
| 43 | 1 | | | | 1139-1538-01 | Skruv | Bolt w/washer | | |
| 44 | 1 | | | | 1139-1524-01 | Växelblock | Shift block | | |
| 45 | 1 | | | | 1139-1517-01 | Reglagearm | Control arm | | |
| 46 | 1 | | | | 1139-1365-01 | Tätningarring | Oil seal | | |
| 47 | 1 | | | | 1139-1393-01 | Spårring | Ring | | |
| 48 | 1 | | | | 1139-1382-01 | Bricka | Washer | | |
| 49 | 1 | | | | 1139-1391-01 | Låsring | Ring | | |
| 50 | 1 | | | | 1139-1520-01 | Arm kpl | Neutral return assy | Inkl. pos 51-58 | |
| 51 | 1 | | | | 1139-1127-01 | • Mutter | • Nut | | |
| 52 | 1 | | | | 1139-1102-01 | • Bricka | • Washer | | |
| 53 | 1 | | | | 1139-1377-01 | • Plåt | • Plate | | |
| 54 | 1 | | | | 1139-1378-01 | • Vridcentrum | • Fulcrum | | |
| 55 | 1 | | | | 1139-1379-01 | • Arm | • Arm | | |
| 56 | 1 | | | | 1139-1380-01 | • Returfjäder | • Return spring | | |
| 57 | 1 | | | | 1139-1390-01 | • Bricka | • Washer | | |
| 58 | 1 | | | | 1139-1392-01 | • Spårring | • Ring | | |
| 59 | 1 | | | | 1139-1381-01 | Stoppsskruv | Set screw | | |
| 60 | 1 | | | | 1139-1127-01 | Mutter | Nut | | |
| 61 | 2 | | | | 1139-1122-01 | Bult m.bricka | Bolt w/washer | | |
| 62 | 1 | | | | 1139-1372-01 | By-pass arm | By-pass lever | | |
| 63 | 1 | | | | 1139-1371-01 | Adapter | By-pass adapter | | |
| 64 | 1 | | | | 1139-1395-01 | Stift | Pin | | |
| 65 | 1 | | | | 1139-1115-01 | O- ring | O- ring | | |



1 KPL-10ALP Pump

| Utgåva Issue 2009- 11 | | Bildnr Picture No 2424 | | KANZAKI HYDRAULPUMP KPL- 10ALP | | KANZAKI HYDRAULIC PUMP KPL- 10ALP | | Sida Page 430 | |
|-----------------------------|-------------------|------------------------------|--|--------------------------------------|-------------------|---|----------------------|---------------------|---------------------|
| Pos. Fig. | Antal/Quantity | | | | Art nr Part No | Benämning | Description | Sats Kit | Anmärkning Notes |
| | KPL- 10 ALP | | | | | | | | |
| 66 | 1 | | | | 1139- 1373- 01 | Plåt | By- pass plate | | |
| 67 | 1 | | | | 1139- 1387- 01 | Ring | Back- up ring | | |
| 68 | 1 | | | | 1139- 1112- 01 | O- ring | O- ring | | |
| 69 | 1 | | | | 1139- 1370- 01 | By- pass axel | By- pass pin | | |
| 70 | 1 | | | | 1139- 1522- 01 | Vågbricka | Wave washer | | |



1- **KTM10F Transmission**

KTM10F Seal Kit

Kit Includes

- | | |
|-----|-----|
| #15 | #29 |
| #19 | #72 |
| #23 | #99 |
| #28 | |

All parts may not be used.

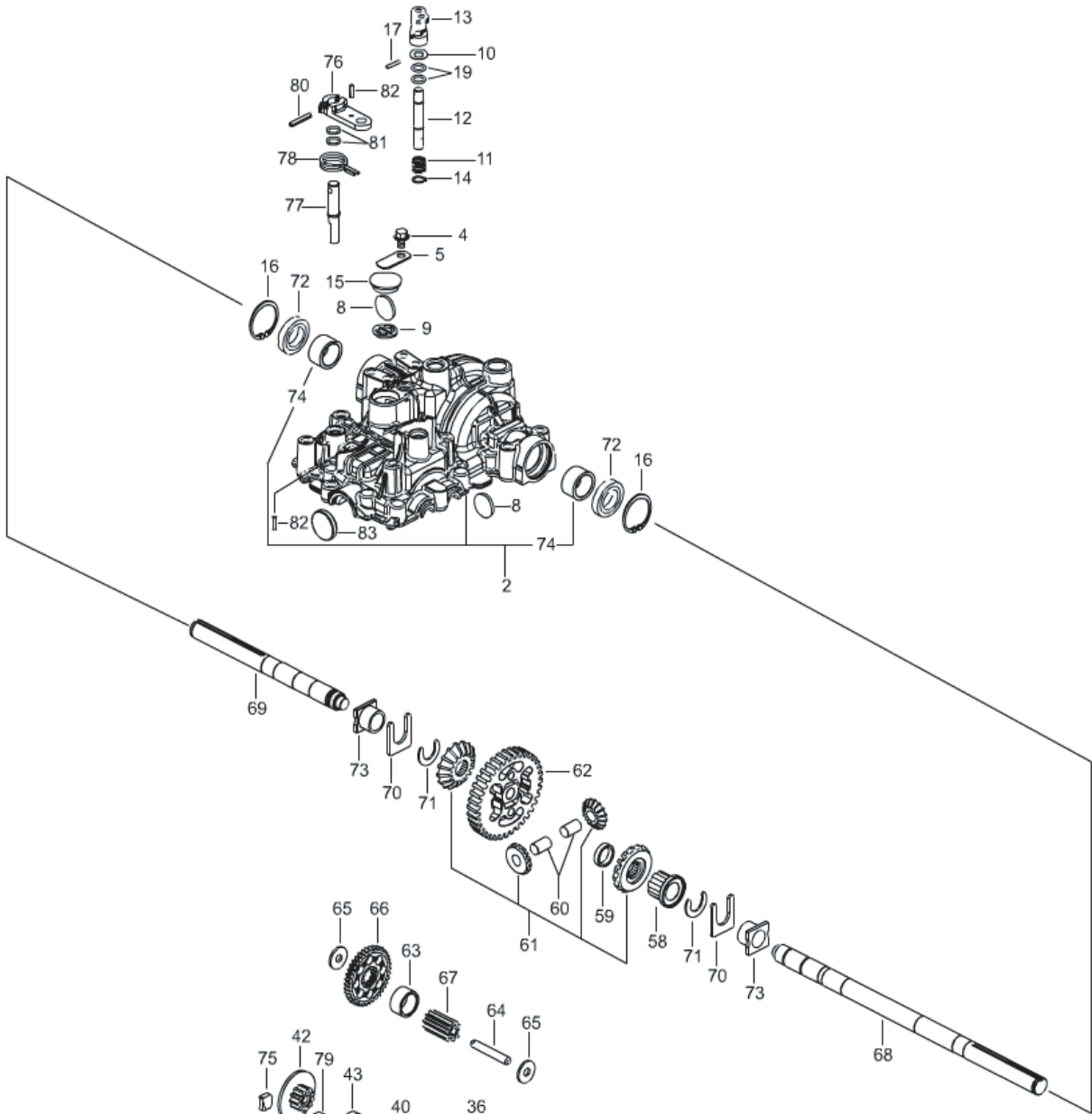
KTM10F Repair Kit

Kit Includes

- | | |
|-----------------|-----|
| #24 | #38 |
| #200 - Seal Kit | |

All parts may not be used.

| Utgåva Issue 2009- 11 | | Bildnr Picture No 2216 | | KANZAKI TRANSAXEL KTM 10F | | KANZAKI TRANSAXLE KTM 10F | | Sida Page 432 | |
|-----------------------------|----------------|------------------------------|--|---------------------------------|-------------------|---------------------------------|----------------------------|---------------------|---------------------------------|
| Pos. Fig. | Antal/Quantity | | | | Art nr Part No | Benämning | Description | Sats Kit | Anmärkning Notes |
| | KTM 10F | | | | | | | | |
| 1 | 1 | | | | 1134-5702-01 | Motoraxel- fram | Motor shaft- front..... | | Kanzaki KTM 10F Inkl. pos 74 |
| 2 | 1 | | | | 1139-1417-01 | Hus- övre | Housing- upper | | |
| 3 | 1 | | | | 1139-1418-01 | Hus- nedre | Housing- lower | | |
| 4 | 1 | | | | 1139-1123-01 | Bult | Bolt | | |
| 5 | 1 | | | | 1139-1384-01 | Glidplåt | Skid plate | | |
| 8 | 2 | | | | 1139-1150-01 | Magnet | Magnet..... | | |
| 9 | 1 | | | | 1139-1341-01 | Hållare- magnet | Holder- magnet | | |
| 10 | 1 | | | | 1139-1388-01 | Bricka | Washer..... | | |
| 11 | 1 | | | | 1139-1421-01 | Fjäder..... | Spring..... | | |
| 12 | 1 | | | | 1139-1420-01 | By- passaxel..... | By- pass shaft | | |
| 13 | 1 | | | | 1139-1189-01 | Arm- bypass | Lever- bypass..... | | |
| 14 | 1 | | | | 1139-1391-01 | Låsring | Ring | | |
| 15 | 1 | | | | 1139-1397-01 | Tätningshuv..... | Sealing cap | | |
| 16 | 2 | | | | 1139-1444-01 | Låsring | Ring | | |
| 17 | 1 | | | | 1139-1280-01 | Stift..... | Pin | | |
| 19 | 2 | | | | 1139-1114-01 | O- ring | O- ring | | |
| 21 | 3 | | | | 1139-1291-01 | Bult..... | Bolt | | |
| 22 | 11 | | | | 1139-1448-01 | Bult..... | Bolt | | |
| 23 | 1 | | | | 1139-1103-01 | Tätningbricka | Seal washer | | |
| 24 | 1 | | | | 1139-1503-01 | Centrumhus..... | Center case | | |
| 25 | 1 | | | | 1139-1445-01 | Tapp..... | Pin | | |
| 26 | 1 | | | | 1139-1500-01 | Dräneringsbult..... | Drain bolt kit | | |
| 27 | 2 | | | | 1139-1449-01 | Bult..... | Bolt | | |
| 28 | 2 | | | | 1139-1446-01 | Packning..... | Packing | | |
| 29 | 2 | | | | 1139-1447-01 | Tätningring | Seal | | |
| 30 | 2 | | | | 1139-1424-01 | Anslutning | Connector | | |
| 36 | 1 | | | | 1139-1504-01 | Motorhus..... | Motor housing | | |
| 37 | 1 | | | | 1139-1438-01 | Lager | Bearing..... | | |
| 38 | 1 | | | | 1139-1509-01 | Cylinderblock kpl | Cylinder block kit | | |
| 40 | 1 | | | | 1139-1425-01 | Motoraxel | Motor shaft | | |
| 42 | 1 | | | | 1139-1442-01 | Motordrev..... | Motor gear | | |
| 43 | 1 | | | | 1139-1453-01 | Lager | Bearing..... | | |
| 58 | 1 | | | | 1139-1330-01 | Hylsa | Collar | | |
| 59 | 1 | | | | 1139-1435-01 | Hylsa | Collar | | |
| 60 | 1 | | | | 1139-1440-01 | Axel | Pin | | |
| 61 | 1 | | | | 1139-1439-01 | Differentialdrev kpl | Differential gear kit..... | | |
| 62 | 1 | | | | 1139-1429-01 | Slutdrev | Final gear | | |
| 63 | 1 | | | | 1139-1427-01 | Hylsa | Collar | | |
| 64 | 1 | | | | 1139-1256-01 | Reduktionsaxel | Reduction shaft..... | | |
| 65 | 2 | | | | 1139-1398-01 | Bricka | Washer..... | | |
| 66 | 1 | | | | 1139-1441-01 | Reduktionsdrev | Reduction gear..... | | |
| 67 | 1 | | | | 1139-1361-01 | Slutdrev | Final pinion | | |
| 68 | 1 | | | | 1139-1432-01 | Hjulaxel..... | Axle..... | | |
| 69 | 1 | | | | 1139-1431-01 | Hjulaxel..... | Axle..... | | |
| 70 | 2 | | | | 1139-1194-01 | Tryckbricka | Thrust washer | | |
| 71 | 2 | | | | 1139-1155-01 | Låsring | Ring | | |
| 72 | 2 | | | | 1139-1044-01 | Tätning | Seal | | |
| 73 | 2 | | | | 1139-1156-01 | Bussning | Bushing..... | | |
| 74 | 2 | | | | 1139-1415-01 | • Bussning..... | • Bushing..... | | |
| 75 | 1 | | | | 1139-1260-01 | Bromssko | Brake shoe | | |
| 83 | 1 | | | | 1139-1450-01 | Tätningshuv..... | Sealing cap | | |
| 99 | 1 | | | | 1139-1443-01 | Tätningmedel | Sealant | | |
| 200 | 1 | | | | 1139-1436-01 | Servicesats..... | Seal kit | | |



1 **KTM10G Transmission**

KTM10G Seal Kit

Kit Includes

| | |
|-----|-----|
| #15 | #51 |
| #19 | #55 |
| #23 | #72 |
| #28 | #81 |
| #29 | #99 |

All parts may not be used.

200

KTM10G Repair Kit

Kit Includes

| | |
|-----------------|-----|
| #24 | #38 |
| #200 - Seal Kit | |

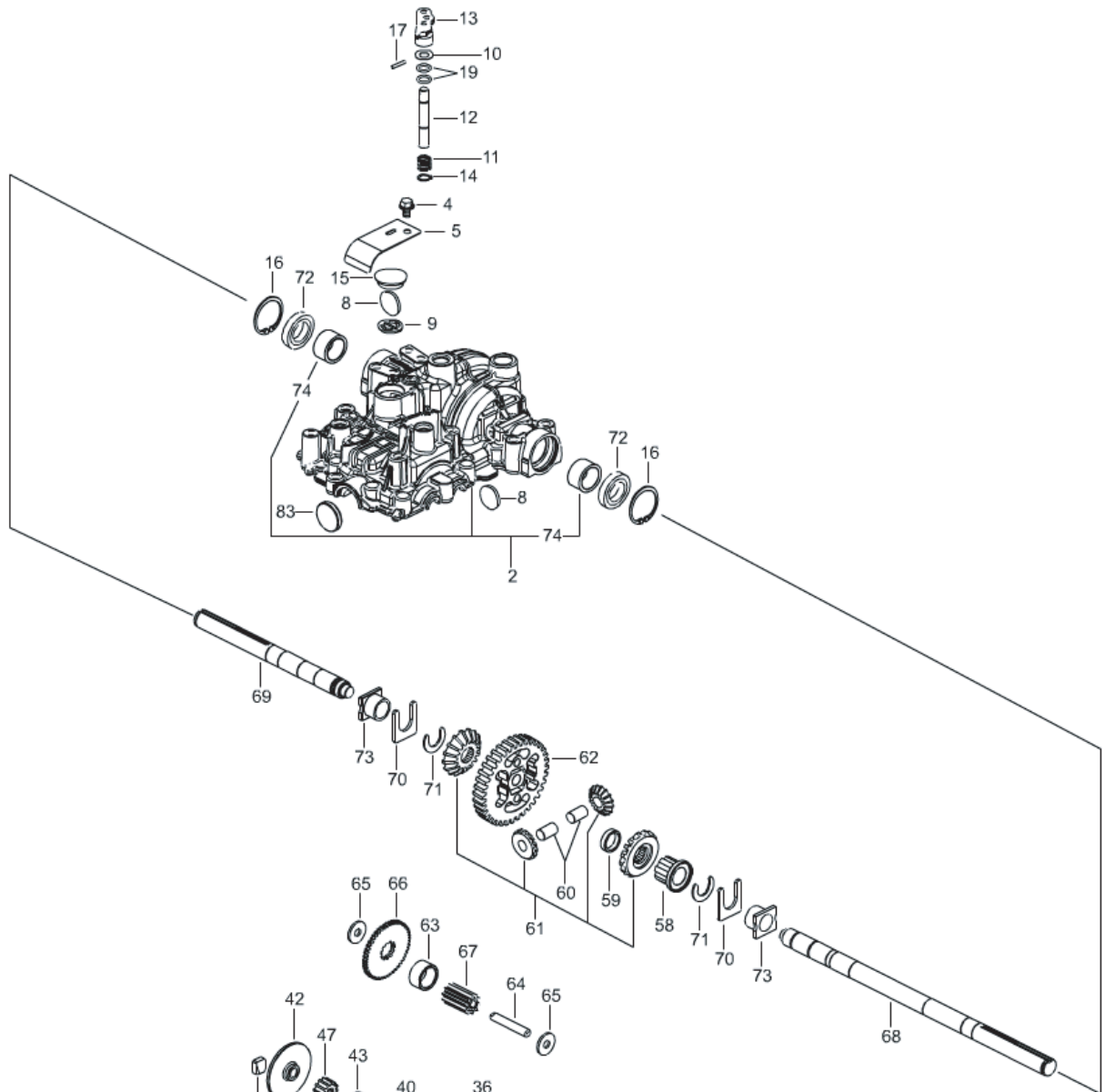
All parts may not be used.

201

PLATE WITH SMALLER ID SHOULD CONTACT PISTONS.

SEAL SIDE TOWARD MOTOR GEAR

| Utgåva Issue 2009- 11 | | Bildnr Picture No 2217 | | KANZAKI TRANSAXEL KTM 10G | | KANZAKI TRANSAXLE KTM 10G | | Sida Page 434 | |
|-----------------------------|----------------|------------------------------|--|---------------------------------|-------------------|---------------------------------|----------------------------|---------------------|---------------------------------|
| Pos. Fig. | Antal/Quantity | | | | Art nr Part No | Benämning | Description | Sats Kit | Anmärkning Notes |
| | KTM 10G | | | | | | | | |
| 1 | 1 | | | | 1134-5701-01 | Motoraxel- bak..... | Motor shaft- rear..... | | Kanzaki KTM 10G Inkl. pos 74 |
| 2 | 1 | | | | 1139-1417-01 | Hus- övre..... | Housing- upper..... | | |
| 3 | 1 | | | | 1139-1418-01 | Hus- nedre..... | Housing- lower..... | | |
| 4 | 1 | | | | 1139-1123-01 | Bult..... | Bolt..... | | |
| 5 | 1 | | | | 1139-1383-01 | Plåt..... | Vent port plate..... | | |
| 8 | 2 | | | | 1139-1150-01 | Magnet..... | Magnet..... | | |
| 9 | 1 | | | | 1139-1341-01 | Hållare- magnet..... | Holder- magnet..... | | |
| 10 | 1 | | | | 1139-1388-01 | Bricka..... | Washer..... | | |
| 11 | 1 | | | | 1139-1421-01 | Fjäder..... | Spring..... | | |
| 12 | 1 | | | | 1139-1420-01 | By- passaxel..... | By- pass shaft..... | | |
| 13 | 1 | | | | 1139-1189-01 | Arm- bypass..... | Lever- bypass..... | | |
| 14 | 1 | | | | 1139-1391-01 | Låsring..... | Ring..... | | |
| 15 | 1 | | | | 1139-1397-01 | Tätningshuv..... | Sealing cap..... | | |
| 16 | 2 | | | | 1139-1444-01 | Låsring..... | Ring..... | | |
| 17 | 1 | | | | 1139-1280-01 | Stift..... | Pin..... | | |
| 19 | 2 | | | | 1139-1114-01 | O- ring..... | O- ring..... | | |
| 21 | 3 | | | | 1139-1291-01 | Bult..... | Bolt..... | | |
| 22 | 11 | | | | 1139-1448-01 | Bult..... | Bolt..... | | |
| 23 | 1 | | | | 1139-1103-01 | Tätningbricka..... | Seal washer..... | | |
| 24 | 1 | | | | 1139-1503-01 | Centrumhus..... | Center case..... | | |
| 25 | 1 | | | | 1139-1445-01 | Tapp..... | Pin..... | | |
| 26 | 1 | | | | 1139-1500-01 | Dräneringsbult..... | Drain bolt kit..... | | |
| 27 | 2 | | | | 1139-1449-01 | Bult..... | Bolt..... | | |
| 28 | 2 | | | | 1139-1446-01 | Packning..... | Packing..... | | |
| 29 | 2 | | | | 1139-1447-01 | Tätningring..... | Seal..... | | |
| 30 | 2 | | | | 1139-1423-01 | Anslutning..... | Connector..... | | |
| 36 | 1 | | | | 1139-1504-01 | Motorhus..... | Motor housing..... | | |
| 37 | 1 | | | | 1139-1438-01 | Lager..... | Bearing..... | | |
| 38 | 1 | | | | 1139-1509-01 | Cylinderblock kpl..... | Cylinder block kit..... | | |
| 40 | 1 | | | | 1139-1425-01 | Motoraxel..... | Motor shaft..... | | |
| 42 | 1 | | | | 1139-1442-01 | Motordrev..... | Motor gear..... | | |
| 43 | 1 | | | | 1139-1453-01 | Lager..... | Bearing..... | | |
| 58 | 1 | | | | 1139-1531-01 | Hylsa..... | Collar..... | | |
| 59 | 1 | | | | 1139-1435-01 | Hylsa..... | Collar..... | | |
| 60 | 1 | | | | 1139-1440-01 | Axel..... | Pin..... | | |
| 61 | 1 | | | | 1139-1439-01 | Differentialdrev kpl..... | Differential gear kit..... | | |
| 62 | 1 | | | | 1139-1429-01 | Slutdrev..... | Final gear..... | | |
| 63 | 1 | | | | 1139-1427-01 | Hylsa..... | Collar..... | | |
| 64 | 1 | | | | 1139-1256-01 | Reduktionsaxel..... | Reduction shaft..... | | |
| 65 | 2 | | | | 1139-1398-01 | Bricka..... | Washer..... | | |
| 66 | 1 | | | | 1139-1441-01 | Reduktionsdrev..... | Reduction gear..... | | |
| 67 | 1 | | | | 1139-1361-01 | Slutdrev..... | Final pinion..... | | |
| 68 | 1 | | | | 1139-1434-01 | Hjulaxel..... | Axle..... | | |
| 69 | 1 | | | | 1139-1433-01 | Hjulaxel..... | Axle..... | | |
| 70 | 2 | | | | 1139-1194-01 | Tryckbricka..... | Thrust washer..... | | |
| 71 | 2 | | | | 1139-1155-01 | Låsring..... | Ring..... | | |
| 72 | 2 | | | | 1139-1044-01 | Tätning..... | Seal..... | | |
| 73 | 2 | | | | 1139-1156-01 | Bussning..... | Bushing..... | | |
| 74 | 2 | | | | 1139-1415-01 | • Bussning..... | • Bushing..... | | |
| 75 | 1 | | | | 1139-1260-01 | Bromssko..... | Brake shoe..... | | |
| 76 | 1 | | | | 1139-1261-01 | Bromsarm..... | Brake arm..... | | |
| 77 | 1 | | | | 1139-1320-01 | Bromsaxel..... | Brake shaft..... | | |
| 78 | 1 | | | | 1139-1263-01 | Returfjäder..... | Return spring..... | | |
| 79 | 1 | | | | 1139-1264-01 | Bromstryckare..... | Brake actuator..... | | |
| 80 | 1 | | | | 1139-1282-01 | Stift..... | Pin..... | | |
| 82 | 2 | | | | 1139-1281-01 | Stift..... | Pin..... | | |
| 83 | 1 | | | | 1139-1450-01 | Tätningshuv..... | Sealing cap..... | | |
| 99 | 1 | | | | 1139-1443-01 | Tätningmedel..... | Sealant..... | | |
| 200 | 1 | | | | 1139-1437-01 | Servicesats..... | Seal kit..... | | |



1- KTM10M Transmission

KTM10M Seal Kit

Kit Includes

- | | |
|-----|-----|
| #15 | #29 |
| #19 | #72 |
| #23 | #99 |
| #28 | |

All parts may not be used.

KTM10M Repair Kit

Kit Includes

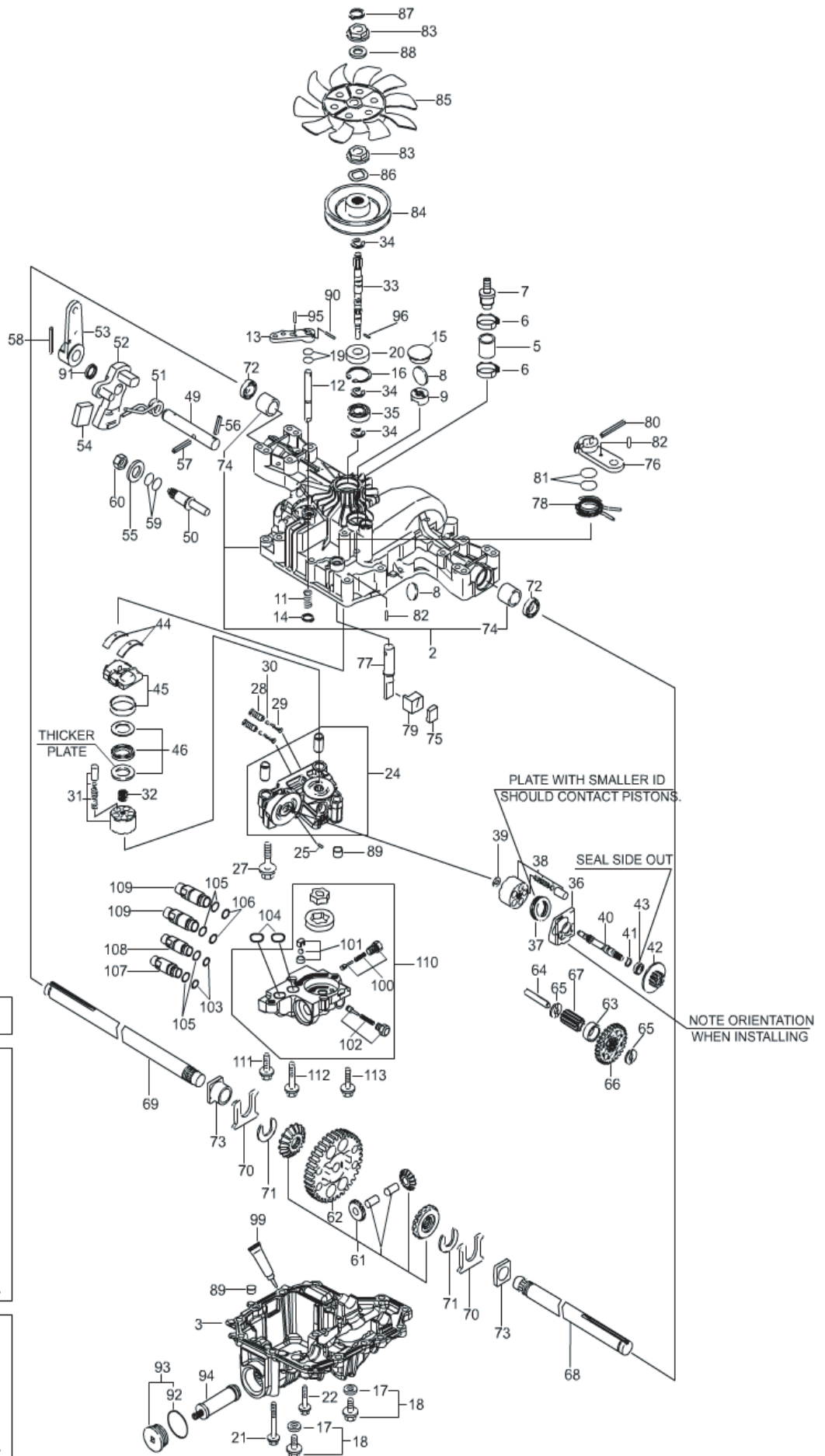
- | | |
|-----------------|-----|
| #24 | #38 |
| #200 - Seal Kit | |

All parts may not be used.

200-

201-

| Utgåva Issue 2009- 11 | | Bildnr Picture No 2218 | | KANZAKI TRANSAXEL KTM 10M | | KANZAKI TRANSAXLE KTM 10M | | Sida Page 436 | |
|-----------------------------|----------------|------------------------------|--|---------------------------------|-------------------|---------------------------------|-----------------------------|---------------------|---------------------------------|
| Pos. Fig. | Antal/Quantity | | | | Art nr Part No | Benämning | Description | Sats Kit | Anmärkning Notes |
| | KTM 10M | | | | | | | | |
| 1 | 1 | | | | 1134- 6029- 01 | Motoraxel- fram | Transaxle- front | | Kanzaki KTM 10M Inkl. pos 74 |
| 2 | 1 | | | | 1139- 1417- 01 | Hus- övre | Housing- upper | | |
| 3 | 1 | | | | 1139- 1418- 01 | Hus- nedre | Housing- lower | | |
| 4 | 1 | | | | 1139- 1123- 01 | Bult | Bolt | | |
| 5 | 1 | | | | 1139- 1384- 01 | Glidplåt | Skid plate | | |
| 8 | 2 | | | | 1139- 1150- 01 | Magnet | Magnet | | |
| 9 | 1 | | | | 1139- 1341- 01 | Hållare- magnet | Holder- magnet | | |
| 10 | 1 | | | | 1139- 1388- 01 | Bricka | Washer | | |
| 11 | 1 | | | | 1139- 1421- 01 | Fjäder | Spring | | |
| 12 | 1 | | | | 1139- 1420- 01 | By- passaxel | By- pass shaft | | |
| 13 | 1 | | | | 1139- 1189- 01 | Arm- bypass | Lever- bypass | | |
| 14 | 1 | | | | 1139- 1391- 01 | Låsring | Ring | | |
| 15 | 1 | | | | 1139- 1397- 01 | Tätningshuv | Sealing cap | | |
| 16 | 2 | | | | 1139- 1444- 01 | Låsring | Ring | | |
| 17 | 1 | | | | 1139- 1280- 01 | Stift | Pin | | |
| 19 | 2 | | | | 1139- 1114- 01 | O- ring | O- ring | | |
| 21 | 3 | | | | 1139- 1291- 01 | Bult | Bolt | | |
| 22 | 11 | | | | 1139- 1448- 01 | Bult | Bolt | | |
| 23 | 1 | | | | 1139- 1103- 01 | Tätningbricka | Seal washer | | |
| 24 | 1 | | | | 1139- 1503- 01 | Centrumhus | Center case | | |
| 25 | 1 | | | | 1139- 1445- 01 | Tapp | Pin | | |
| 26 | 1 | | | | 1139- 1500- 01 | Dräneringsbult | Drain bolt kit | | |
| 27 | 2 | | | | 1139- 1449- 01 | Bult | Bolt | | |
| 28 | 2 | | | | 1139- 1446- 01 | Packning | Packing | | |
| 29 | 2 | | | | 1139- 1447- 01 | Tätningring | Seal | | |
| 30 | 2 | | | | 1139- 1424- 01 | Anslutning | Connector | | |
| 36 | 1 | | | | 1139- 1504- 01 | Motorhus | Motor housing | | |
| 37 | 1 | | | | 1139- 1438- 01 | Lager | Bearing | | |
| 38 | 1 | | | | 1139- 1509- 01 | Cylinderblock kpl | Cylinder block kit | | |
| 40 | 1 | | | | 1139- 1425- 01 | Motoraxel | Motor shaft | | |
| 42 | 1 | | | | 1139- 1451- 01 | Bromsskiva | Brake disc | | |
| 43 | 1 | | | | 1139- 1453- 01 | Lager | Bearing | | |
| 47 | 1 | | | | 1139- 1426- 01 | Motordrev | Motor gear | | |
| 58 | 1 | | | | 1139- 1330- 01 | Hylsa | Collar | | |
| 59 | 1 | | | | 1139- 1435- 01 | Hylsa | Collar | | |
| 60 | 1 | | | | 1139- 1440- 01 | Axel | Pin | | |
| 61 | 1 | | | | 1139- 1439- 01 | Differentialdrev kpl | Differential gear kit | | |
| 62 | 1 | | | | 1139- 1429- 01 | Slutdrev | Final gear | | |
| 63 | 1 | | | | 1139- 1427- 01 | Hylsa | Collar | | |
| 64 | 1 | | | | 1139- 1256- 01 | Reduktionsaxel | Reduction shaft | | |
| 65 | 2 | | | | 1139- 1398- 01 | Bricka | Washer | | |
| 66 | 1 | | | | 1139- 1430- 01 | Reduktionsdrev | Reduction gear | | |
| 67 | 1 | | | | 1139- 1361- 01 | Slutdrev | Final pinion | | |
| 68 | 1 | | | | 1139- 1432- 01 | Hjulaxel | Axle | | |
| 69 | 1 | | | | 1139- 1431- 01 | Hjulaxel | Axle | | |
| 70 | 2 | | | | 1139- 1194- 01 | Tryckbricka | Thrust washer | | |
| 71 | 2 | | | | 1139- 1155- 01 | Låsring | Ring | | |
| 72 | 2 | | | | 1139- 1044- 01 | Tätning | Seal | | |
| 73 | 2 | | | | 1139- 1156- 01 | Bussning | Bushing | | |
| 74 | 2 | | | | 1139- 1415- 01 | • Bussning | • Bushing | | |
| 75 | 1 | | | | 1139- 1260- 01 | Bromssko | Brake shoe | | |
| 83 | 1 | | | | 1139- 1450- 01 | Tätningshuv | Sealing cap | | |
| 99 | 1 | | | | 1139- 1443- 01 | Tätningmedel | Sealant | | |
| 200 | 1 | | | | 1139- 1436- 01 | Servicesats | Seal kit | | |



1- K574F Transmission

K574F Seal Kit

Kit Includes

| | |
|-----|------|
| #19 | #92 |
| #20 | #94 |
| #23 | #99 |
| #30 | #103 |
| #59 | #104 |
| #72 | #105 |
| #81 | #106 |
| #91 | |

All parts may not be used.

K574F Repair Kit

Kit Includes

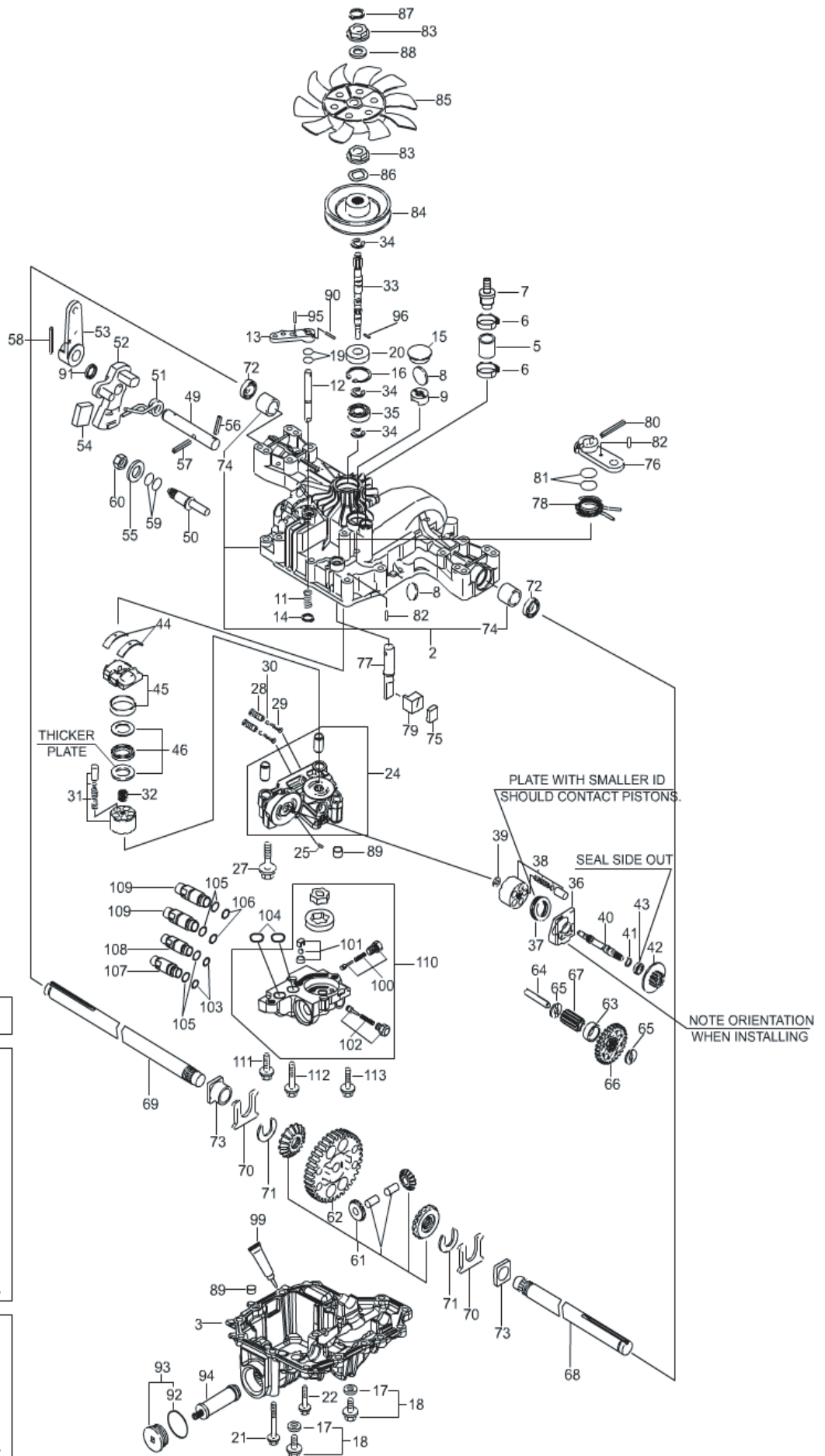
| | |
|---------------|-----|
| #24 | #38 |
| #31 | |
| #200-Seal Kit | |

All parts may not be used.

200-

201-

| Utgåva Issue 2009- 11 | | Bildnr Picture No 2220 | | KANZAKI TRANSAXEL K574F | | KANZAKI TRANSAXLE K574F | | Sida Page 438 | |
|-----------------------------|----------------|------------------------------|--|-------------------------------|-------------------|-------------------------------|----------------------------|---------------------|---|
| Pos. Fig. | Antal/Quantity | | | | Art nr Part No | Benämning | Description | Sats Kit | Anmärkning Notes |
| | 574F | | | | | | | | |
| 1 | 1 | | | | 1134-6129-01 | Transaxel kpl..... | Transaxle assy..... | | Kanzaki K574F Inkl. pos 74 Inkl. pos 17 |
| 2 | 1 | | | | 1139-1470-01 | Hus- övre | Housing- upper | | |
| 3 | 1 | | | | 1139-1456-01 | Hus- nedre | Housing- lower | | |
| 5 | 1 | | | | 1139-1301-01 | Rör | Tube | | |
| 6 | 2 | | | | 1139-1336-01 | Slangklämma..... | Hose clamp | | |
| 7 | 1 | | | | 1139-1306-01 | Adapter..... | Adapter | | |
| 8 | 2 | | | | 1139-1150-01 | Magnet | Magnet | | |
| 9 | 1 | | | | 1139-1341-01 | Hållare- magnet | Holder- magnet | | |
| 11 | 1 | | | | 1139-1347-01 | Fjäder..... | Spring | | |
| 12 | 1 | | | | 1139-1251-01 | Axel- bypass | Shaft- bypass | | |
| 13 | 1 | | | | 1139-1189-01 | Arm- bypass | Lever- bypass..... | | |
| 14 | 1 | | | | 1139-1161-01 | Låsring | Ring | | |
| 15 | 1 | | | | 1139-1275-01 | Plugg..... | Bore plug | | |
| 16 | 1 | | | | 1139-1104-01 | Låsring | Snap ring | | |
| 17 | 2 | | | | 1139-1103-01 | • Tätningbricka | • Seal washer..... | | |
| 18 | 2 | | | | 1139-1500-01 | Dräneringskruv | Drain bolt kit | | |
| 20 | 1 | | | | 1139-1119-01 | Tätning | Seal | | |
| 21 | 4 | | | | 1139-1473-01 | Bult..... | Bolt | | |
| 22 | 12 | | | | 1139-0244-01 | Skruv..... | Tapping screw..... | | |
| 24 | 1 | | | | 1139-1465-01 | Centrumhus..... | Center case | | |
| 25 | 1 | | | | 1139-1158-01 | Stift..... | Pin | | |
| 27 | 2 | | | | 1139-1294-01 | Bult..... | Bolt | | |
| 28 | 2 | | | | 1139-1468-01 | Ventil | IDS valve..... | | |
| 29 | 2 | | | | 1139-1243-01 | Fjäder..... | Spring | | |
| 30 | 2 | | | | 1139-1307-01 | Filter | Filter | | |
| 31 | 1 | | | | 1139-1356-01 | Cylinderblock kpl | Cylinder block assy | | |
| 32 | 1 | | | | 1139-1245-01 | Fjäder..... | Spring | | |
| 33 | 1 | | | | 1139-1528-01 | Pumpaxel..... | Pump shaft kit..... | | |
| 34 | 3 | | | | 1139-1146-01 | Låsring | Ring | | |
| 35 | 1 | | | | 1139-1110-01 | Kullager | Ball bearing..... | | |
| 36 | 1 | | | | 1139-1458-01 | Hus | Housing | | |
| 37 | 1 | | | | 1139-1438-01 | Lager | Bearing..... | | |
| 38 | 1 | | | | 1139-1454-01 | Cylinderblock..... | Cylinder block | | |
| 39 | 1 | | | | 1139-1160-01 | Bricka | Washer..... | | |
| 40 | 1 | | | | 1139-1353-01 | Motoraxel | Motor shaft | | |
| 41 | 1 | | | | 1139-1021-01 | Låsring | Snap ring | | |
| 42 | 1 | | | | 1139-1272-01 | Motordrev..... | Motor gear | | |
| 43 | 1 | | | | 1139-1453-01 | Lager | Bearing..... | | |
| 44 | 2 | | | | 1139-1066-01 | Tryckplatta | Metal thrust..... | | |
| 45 | 1 | | | | 1139-1597-01 | Stänkplatta kpl | Swash plate assy | | |
| 46 | 1 | | | | 1139-1508-01 | Lager | Thrust bearing kit..... | | |
| 49 | 1 | | | | 1139-1354-01 | Regleraxel..... | Control shaft | | |
| 50 | 1 | | | | 1139-1410-01 | Excenter..... | Fulcrum..... | | |
| 51 | 1 | | | | 1139-1312-01 | Fjäder..... | Spring | | |
| 52 | 1 | | | | 1139-1409-01 | Reglerarm..... | Control arm..... | | |
| 53 | 1 | | | | 1139-1325-01 | Reglerarm..... | Control lever | | |
| 54 | 1 | | | | 1139-1596-01 | Ryckplatta..... | Jerky plate..... | | |
| 55 | 1 | | | | 1139-1102-01 | Bricka | Washer..... | | |
| 56 | 1 | | | | 1139-1355-01 | Saxpinne..... | Cotter pin | | |
| 57 | 1 | | | | 1139-1329-01 | Stift..... | Pin | | |
| 58 | 1 | | | | 1139-1285-01 | Stift..... | Pin | | |
| 60 | 1 | | | | 1139-1127-01 | Mutter..... | Nut | | |
| 61 | 1 | | | | 1139-1404-01 | Differentialdrev kpl | Differential gear kit..... | | |
| 62 | 1 | | | | 1139-1258-01 | Slutdrev | Final gear | | |
| 63 | 1 | | | | 1139-1255-01 | Hylsa | Collar | | |
| 64 | 1 | | | | 1139-1256-01 | Reduktionsaxel | Reduction shaft..... | | |
| 65 | 2 | | | | 1139-1398-01 | Bricka | Washer..... | | |
| 66 | 1 | | | | 1139-1267-01 | Reduktionsdrev | Reduction gear..... | | |
| 67 | 1 | | | | 1139-1361-01 | Slutdrev | Final pinion | | |
| 68 | 1 | | | | 1139-1344-01 | Hjulaxel- vä | Axle shaft- left | | |
| 69 | 1 | | | | 1139-1345-01 | Hjulaxel- hö | Axle shaft- right..... | | |
| 70 | 2 | | | | 1139-1078-01 | Tryckbricka | Thrust washer | | |
| 71 | 2 | | | | 1139-1163-01 | Låsring | Ring | | |



1- K574F Transmission

K574F Seal Kit

Kit Includes

| | |
|-----|------|
| #19 | #92 |
| #20 | #94 |
| #23 | #99 |
| #30 | #103 |
| #59 | #104 |
| #72 | #105 |
| #81 | #106 |
| #91 | |

All parts may not be used.

K574F Repair Kit

Kit Includes

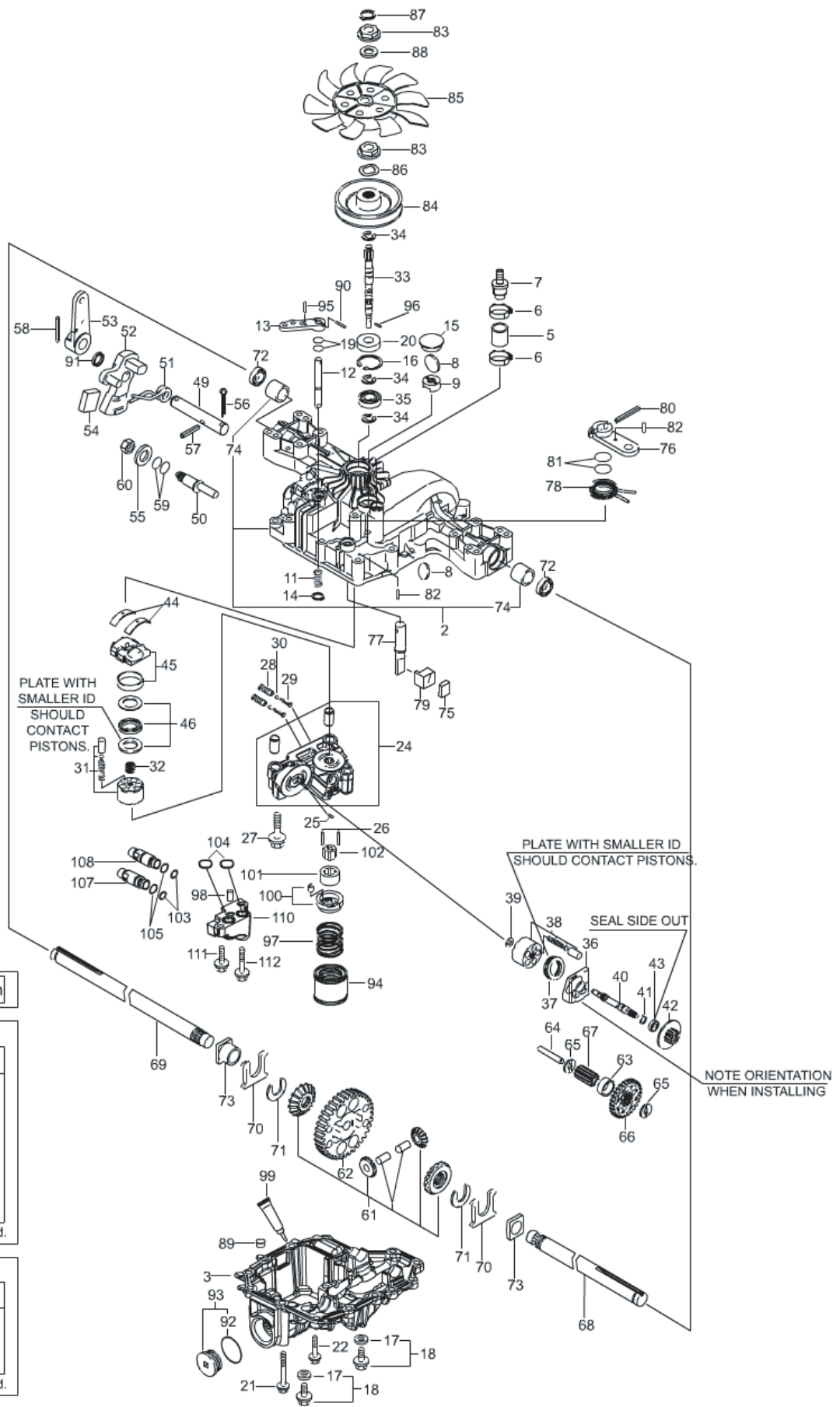
| | |
|---------------|-----|
| #24 | #38 |
| #31 | |
| #200-Seal Kit | |

All parts may not be used.

200-

201-

| Utgåva Issue 2009- 11 | | Bildnr Picture No 2220 | | KANZAKI TRANSAXEL K574F | | KANZAKI TRANSAXLE K574F | | Sida Page 440 | |
|-----------------------------|----------------|------------------------------|--|-------------------------------|-------------------|-------------------------------|----------------------|---------------------|---------------------|
| Pos. Fig. | Antal/Quantity | | | | Art nr Part No | Benämning | Description | Sats Kit | Anmärkning Notes |
| | 574F | | | | | | | | |
| 72 | 2 | | | | 1139-1080-01 | Tätning | Seal | | |
| 73 | 2 | | | | 1139-1164-01 | Bussning | Bushing | | |
| 74 | 2 | | | | 1139-1414-01 | • Bussning | • Bushing | | |
| 75 | 1 | | | | 1139-1260-01 | Bromssko | Brake shoe | | |
| 76 | 1 | | | | 1139-1261-01 | Bromsarm | Brake arm | | |
| 77 | 1 | | | | 1139-1320-01 | Bromsaxel | Brake shaft | | |
| 78 | 1 | | | | 1139-1411-01 | Returfjäder | Return spring | | |
| 79 | 1 | | | | 1139-1264-01 | Bromstryckare | Brake actuator | | |
| 80 | 1 | | | | 1139-1282-01 | Stift | Pin | | |
| 82 | 2 | | | | 1139-1281-01 | Stift | Pin | | |
| 83 | 2 | | | | 1139-1248-01 | Krage | Spline collar | | |
| 84 | 1 | | | | 1139-1469-01 | Remskiva | Pulley | | |
| 85 | 1 | | | | 1134-4190-01 | Fläkt | Fan | | |
| 86 | 1 | | | | 1139-1266-01 | Låsbricka | Lock washer | | |
| 87 | 1 | | | | 1139-1149-01 | Låsring | Snap ring | | |
| 88 | 1 | | | | 1139-1276-01 | Bricka | Collar | | |
| 89 | 4 | | | | 1139-1166-01 | Tapp | Pin | | |
| 90 | 1 | | | | 1139-1280-01 | Stift | Pin | | |
| 91 | 1 | | | | 1139-1303-01 | Tätningssring | Oil seal | | |
| 92 | 1 | | | | 1139-1534-01 | • O-ring | • O-ring | | |
| 93 | 1 | | | | 1139-1510-01 | Lock | Cap kit | | Inkl. pos 92 |
| 94 | 1 | | | | 1139-1186-01 | Filter | Filter | | |
| 95 | 1 | | | | 1139-1279-01 | Stift | Pin | | |
| 96 | 1 | | | | 1139-1148-01 | Stift | Pin | | |
| 99 | 1 | | | | 1139-1443-01 | Tätningssmedel | Sealant | | |
| 100 | 1 | | | | 1139-1462-01 | • Ventil | • Valve | | |
| 101 | 1 | | | | 1139-1234-01 | • Ventil kpl | • Check assy | | |
| 102 | 1 | | | | 1139-1463-01 | • Ventil | • Valve | | |
| 105 | 1 | | | | 1139-0239-01 | O-ring | O-ring | | |
| 106 | 2 | | | | 1139-1168-01 | Packning | Packing | | |
| 107 | 1 | | | | 1139-1459-01 | Nippel | Piping | | |
| 108 | 1 | | | | 1139-1460-01 | Nippel | Piping | | |
| 109 | 2 | | | | 1139-1464-01 | Anslutning | Connector | | |
| 110 | 1 | | | | 1139-1526-01 | Pumphus kpl | Pump case kit | | Inkl. pos 101 - 102 |
| 111 | 1 | | | | 1139-1472-01 | Bult | Bolt | | |
| 112 | 1 | | | | 1139-1455-01 | Skruv | Tapping screw | | |
| 113 | 1 | | | | 1139-1471-01 | Bult | Bolt | | |
| 200 | 1 | | | | 1139-1481-01 | Servicesats | Seal kit | | |
| 201 | 1 | | | | 1139-1527-01 | Reparationssats | Repair kit | | |



1- K574G Transmission

K574G Seal Kit

Kit Includes

| | |
|-----|------|
| #17 | #91 |
| #19 | #92 |
| #20 | #94 |
| #30 | #99 |
| #59 | #103 |
| #72 | #104 |
| #81 | #105 |

All parts may not be used.

200-

K574G Repair Kit

Kit Includes

| | |
|-----|-----|
| #24 | #38 |
| #31 | |

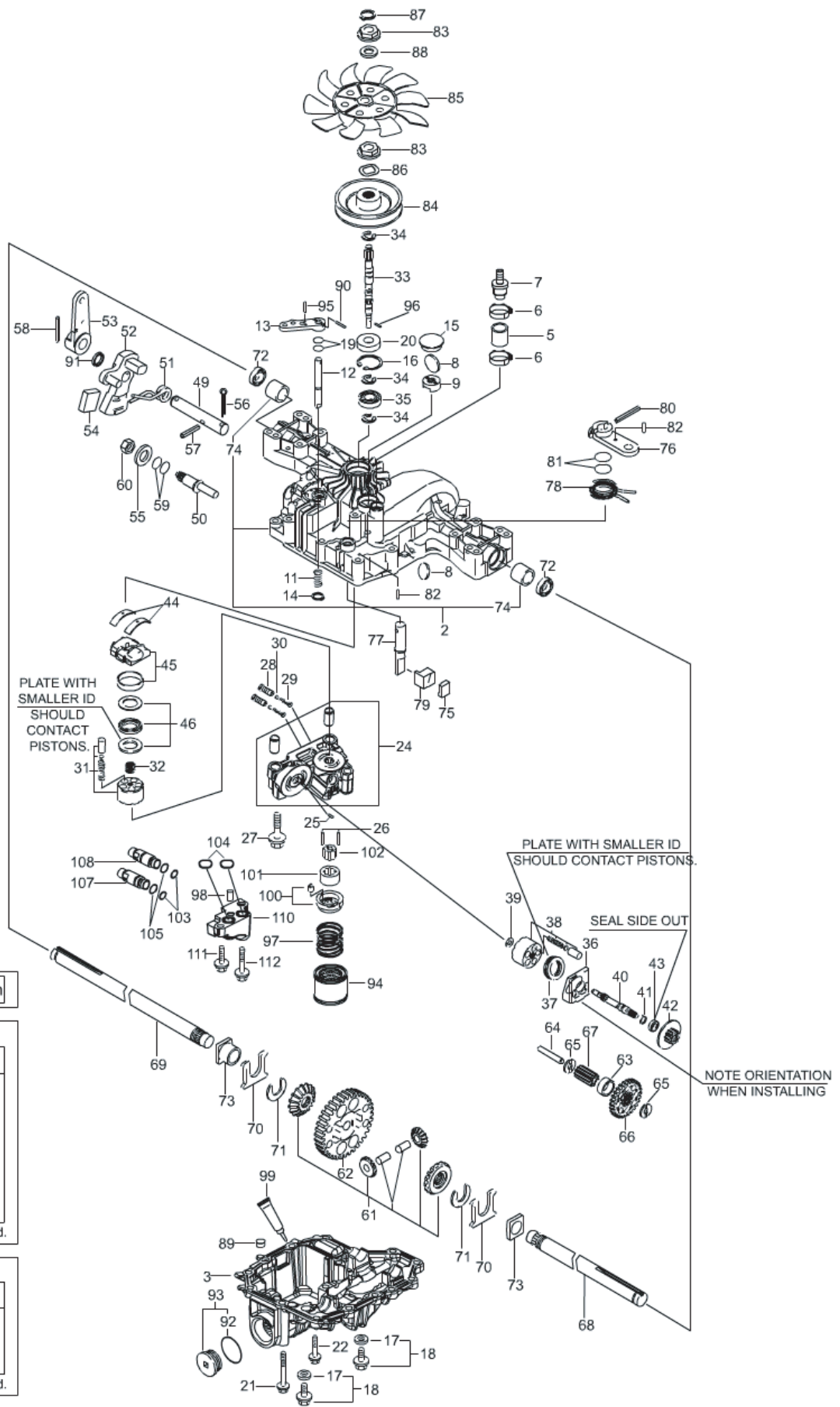
#200-Seal Kit

All parts may not be used.

201-



| Utgåva Issue 2009- 11 | | Bildnr Picture No 2221 | | KANZAKI TRANSAXEL K574G | | KANZAKI TRANSAXLE K574G | | Sida Page 442 | |
|-----------------------------|----------------|------------------------------|--|-------------------------------|-------------------|-------------------------------|----------------------------|---------------------|---|
| Pos. Fig. | Antal/Quantity | | | | Art nr Part No | Benämning | Description | Sats Kit | Anmärkning Notes |
| | 574G | | | | | | | | |
| 1 | 1 | | | | 1134-6394-01 | Transaxel kpl..... | Transaxle assy..... | | Kanzaki K574G Inkl. pos 74 Inkl. pos 17 |
| 2 | 1 | | | | 1139-1470-01 | Hus- övre | Housing- upper | | |
| 3 | 1 | | | | 1139-1456-01 | Hus- nedre | Housing- lower | | |
| 5 | 1 | | | | 1139-1301-01 | Rör | Tube | | |
| 6 | 2 | | | | 1139-1336-01 | Slangklämma..... | Hose clamp | | |
| 7 | 1 | | | | 1139-1306-01 | Adapter..... | Adapter | | |
| 8 | 2 | | | | 1139-1150-01 | Magnet | Magnet | | |
| 9 | 1 | | | | 1139-1341-01 | Hållare- magnet | Holder- magnet | | |
| 11 | 1 | | | | 1139-1347-01 | Fjäder..... | Spring | | |
| 12 | 1 | | | | 1139-1251-01 | Axel- bypass | Shaft- bypass | | |
| 13 | 1 | | | | 1139-1189-01 | Arm- bypass | Lever- bypass..... | | |
| 14 | 1 | | | | 1139-1161-01 | Låsring | Ring | | |
| 15 | 1 | | | | 1139-1275-01 | Plugg..... | Bore plug | | |
| 16 | 1 | | | | 1139-1104-01 | Låsring | Snap ring | | |
| 17 | 2 | | | | 1139-1103-01 | • Tätningbricka | • Seal washer..... | | |
| 18 | 2 | | | | 1139-1500-01 | Dräneringskruv | Drain bolt kit | | |
| 20 | 1 | | | | 1139-1119-01 | Tätning | Seal | | |
| 21 | 4 | | | | 1139-1473-01 | Bult..... | Bolt | | |
| 22 | 12 | | | | 1139-0244-01 | Skruv..... | Tapping screw..... | | |
| 24 | 1 | | | | 1139-1487-01 | Centrumhus..... | Center case | | |
| 25 | 1 | | | | 1139-1158-01 | Stift..... | Pin | | |
| 26 | 2 | | | | 1139-1497-01 | Stift..... | Pin | | |
| 27 | 2 | | | | 1139-1294-01 | Bult..... | Bolt | | |
| 28 | 2 | | | | 1139-1468-01 | Ventil | IDS valve..... | | |
| 29 | 2 | | | | 1139-1243-01 | Fjäder..... | Spring | | |
| 30 | 2 | | | | 1139-1307-01 | Filter | Filter | | |
| 31 | 1 | | | | 1139-1356-01 | Cylinderblock kpl | Cylinder block assy | | |
| 32 | 1 | | | | 1139-1245-01 | Fjäder..... | Spring | | |
| 33 | 1 | | | | 1139-1493-01 | Pumpaxel..... | Pump shaft | | |
| 34 | 3 | | | | 1139-1146-01 | Låsring | Ring | | |
| 35 | 1 | | | | 1139-1110-01 | Kullager | Ball bearing | | |
| 36 | 1 | | | | 1139-1458-01 | Hus..... | Housing | | |
| 37 | 1 | | | | 1139-1438-01 | Lager | Bearing..... | | |
| 38 | 1 | | | | 1139-1454-01 | Cylinderblock..... | Cylinder block | | |
| 39 | 1 | | | | 1139-1160-01 | Bricka | Washer..... | | |
| 40 | 1 | | | | 1139-1353-01 | Motoraxel | Motor shaft | | |
| 41 | 1 | | | | 1139-1021-01 | Låsring | Snap ring | | |
| 42 | 1 | | | | 1139-1272-01 | Motordrev..... | Motor gear | | |
| 43 | 1 | | | | 1139-1453-01 | Lager | Bearing..... | | |
| 44 | 2 | | | | 1139-1066-01 | Tryckplatta | Metal thrust..... | | |
| 45 | 1 | | | | 1139-1597-01 | Stänklatta kpl..... | Swash plate assy | | |
| 46 | 1 | | | | 1139-1508-01 | Lager | Thrust bearing kit..... | | |
| 49 | 1 | | | | 1139-1354-01 | Regleraxel..... | Control shaft | | |
| 50 | 1 | | | | 1139-1410-01 | Excenter..... | Fulcrum..... | | |
| 51 | 1 | | | | 1139-1312-01 | Fjäder..... | Spring | | |
| 52 | 1 | | | | 1139-1409-01 | Reglerarm..... | Control arm..... | | |
| 53 | 1 | | | | 1139-1325-01 | Reglerarm..... | Control lever | | |
| 54 | 1 | | | | 1139-1596-01 | Ryckplatta..... | Jerky plate..... | | |
| 55 | 1 | | | | 1139-1102-01 | Bricka | Washer..... | | |
| 56 | 1 | | | | 1139-1355-01 | Saxpinne..... | Cotter pin | | |
| 57 | 1 | | | | 1139-1329-01 | Stift..... | Pin | | |
| 58 | 1 | | | | 1139-1285-01 | Stift..... | Pin | | |
| 60 | 1 | | | | 1139-1127-01 | Mutter..... | Nut..... | | |
| 61 | 1 | | | | 1139-1404-01 | Differentialdrev kpl | Differential gear kit..... | | |
| 62 | 1 | | | | 1139-1258-01 | Slutdrev | Final gear | | |
| 63 | 1 | | | | 1139-1255-01 | Hylsa | Collar | | |
| 64 | 1 | | | | 1139-1256-01 | Reduktionsaxel | Reduction shaft..... | | |
| 65 | 2 | | | | 1139-1398-01 | Bricka | Washer..... | | |
| 66 | 1 | | | | 1139-1267-01 | Reduktionsdrev | Reduction gear..... | | |
| 67 | 1 | | | | 1139-1361-01 | Slutdrev | Final pinion | | |
| 68 | 1 | | | | 1139-1344-01 | Hjulaxel- vä | Axle shaft- left | | |
| 69 | 1 | | | | 1139-1345-01 | Hjulaxel- hö | Axle shaft- right..... | | |
| 70 | 2 | | | | 1139-1078-01 | Tryckbricka | Thrust washer | | |



1- K574G Transmission

K574G Seal Kit

Kit Includes

| | |
|-----|------|
| #17 | #91 |
| #19 | #92 |
| #20 | #94 |
| #30 | #99 |
| #59 | #103 |
| #72 | #104 |
| #81 | #105 |

All parts may not be used.

200-

K574G Repair Kit

Kit Includes

| | |
|-----|-----|
| #24 | #38 |
| #31 | |

#200-Seal Kit

All parts may not be used.

201-



| Utgåva Issue 2009- 11 | | Bildnr Picture No 2221 | | KANZAKI TRANSAXEL K574G | | KANZAKI TRANSAXLE K574G | | Sida Page 444 | |
|-----------------------------|----------------|------------------------------|--|-------------------------------|-------------------|-------------------------------|---------------------------|---------------------|---------------------|
| Pos. Fig. | Antal/Quantity | | | | Art nr Part No | Benämning | Description | Sats Kit | Anmärkning Notes |
| | 574G | | | | | | | | |
| 71 | 2 | | | | 1139-1163-01 | Låsring | Ring | | |
| 72 | 2 | | | | 1139-1080-01 | Tätning | Seal | | |
| 73 | 2 | | | | 1139-1164-01 | Bussning | Bushing..... | | |
| 74 | 2 | | | | 1139-1414-01 | • Bussning..... | • Bushing..... | | |
| 75 | 1 | | | | 1139-1260-01 | Bromssko | Brake shoe | | |
| 76 | 1 | | | | 1139-1261-01 | Bromsarm | Brake arm | | |
| 77 | 1 | | | | 1139-1320-01 | Bromsaxel | Brake shaft..... | | |
| 78 | 1 | | | | 1139-1411-01 | Returfjäder | Return spring | | |
| 79 | 1 | | | | 1139-1264-01 | Bromstryckare | Brake actuator | | |
| 80 | 1 | | | | 1139-1282-01 | Stift..... | Pin | | |
| 82 | 2 | | | | 1139-1281-01 | Stift..... | Pin | | |
| 83 | 2 | | | | 1139-1248-01 | Krage..... | Spline collar | | |
| 84 | 1 | | | | 1139-1469-01 | Remskiva..... | Pulley | | |
| 85 | 1 | | | | 1134-4190-01 | Fläkt..... | Fan | | |
| 86 | 1 | | | | 1139-1266-01 | Låsbricka | Lock washer | | |
| 87 | 1 | | | | 1139-1149-01 | Låsring | Snap ring | | |
| 88 | 1 | | | | 1139-1276-01 | Bricka | Collar | | |
| 89 | 4 | | | | 1139-1166-01 | Tapp..... | Pin | | |
| 90 | 1 | | | | 1139-1280-01 | Stift..... | Pin | | |
| 91 | 1 | | | | 1139-1303-01 | Tätningssats | Oil seal | | |
| 92 | 1 | | | | 1139-1534-01 | • O-ring..... | • O-ring | | |
| 93 | 1 | | | | 1139-1510-01 | Lock..... | Cap kit..... | | Inkl. pos 92 |
| 94 | 1 | | | | 1139-1488-01 | Filter | Filter | | |
| 95 | 1 | | | | 1139-1279-01 | Stift..... | Pin | | |
| 96 | 1 | | | | 1139-1148-01 | Sprint..... | Pin | | |
| 97 | 1 | | | | 1139-1492-01 | Fjäder..... | Charge spring | | |
| 98 | 1 | | | | 1139-1496-01 | Pinne..... | Parallell pin | | |
| 99 | 1 | | | | 1139-1443-01 | Tätningssats | Sealant | | |
| 100 | 1 | | | | 1139-1494-01 | Pumphus | Pump case kit | | |
| 101 | 1 | | | | 1139-1490-01 | Rotor- yttre | Rotor- outer | | |
| 102 | 1 | | | | 1139-1489-01 | Rotor- inre | Rotor- inner | | |
| 104 | 1 | | | | 1139-1013-01 | O- ring | O- ring | | |
| 105 | 2 | | | | 1139-0239-01 | Packning..... | Packing | | |
| 107 | 1 | | | | 1139-1459-01 | Nippel | Piping..... | | |
| 108 | 1 | | | | 1139-1460-01 | Nippel | Piping..... | | |
| 110 | 1 | | | | 1139-1505-01 | Hydraulportblock | Hydraulic port block..... | | |
| 111 | 1 | | | | 1139-1472-01 | Bult..... | Bolt | | |
| 112 | 1 | | | | 1139-1455-01 | Skruv..... | Tapping screw..... | | |
| 113 | 1 | | | | 1139-1471-01 | Bult | Bolt | | |
| 200 | 1 | | | | 1139-1506-01 | Tätningssats | Seal kit | | |
| 201 | 1 | | | | 1139-1507-01 | Rep.sats | Repair kit..... | | |