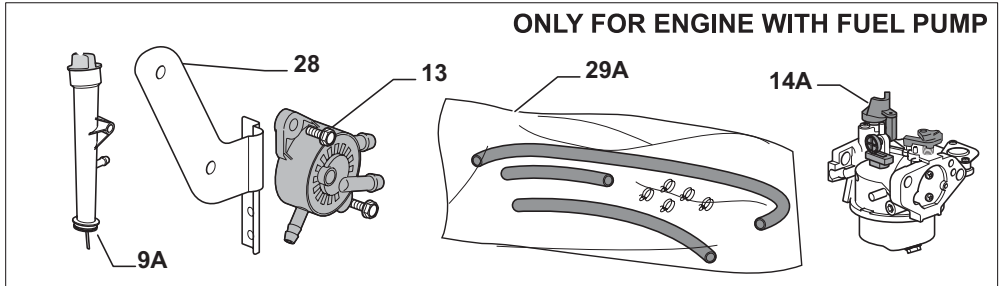
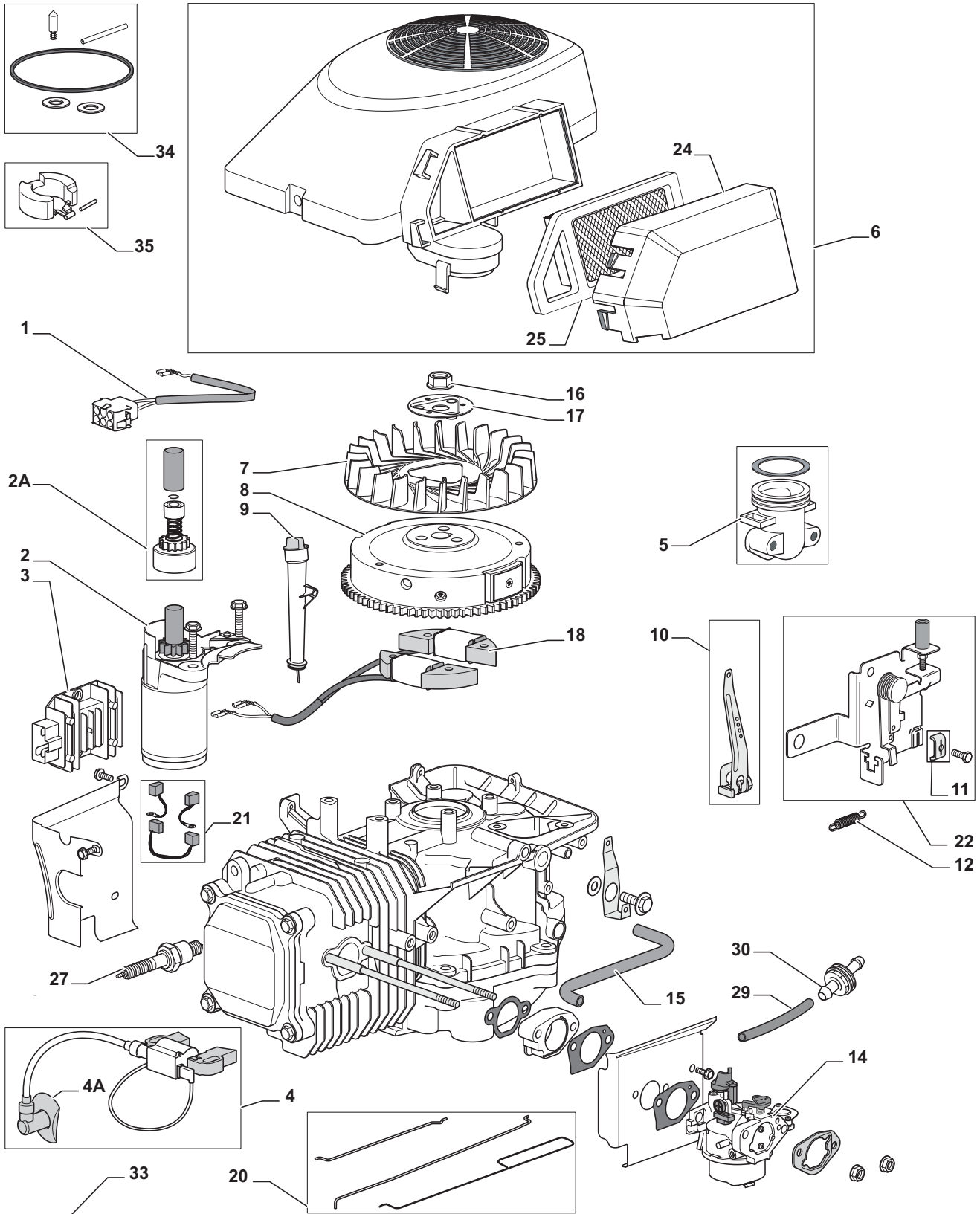
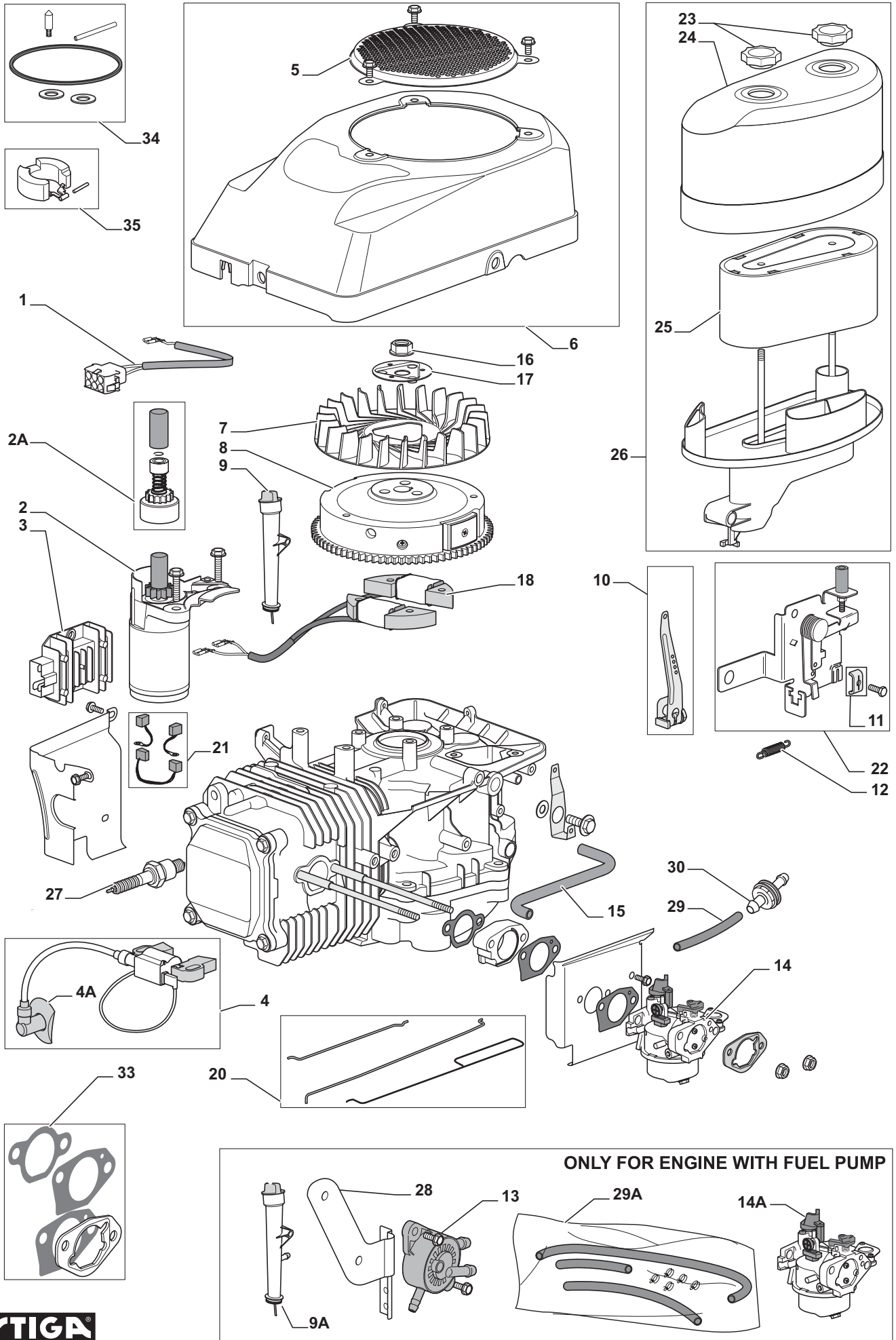


Genuine Spare Parts

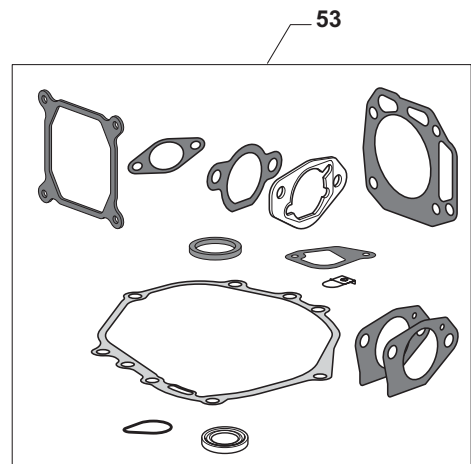
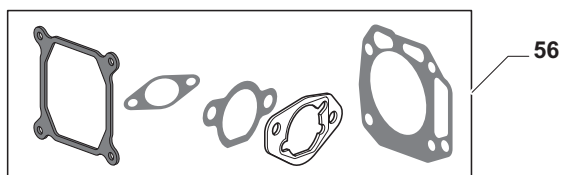
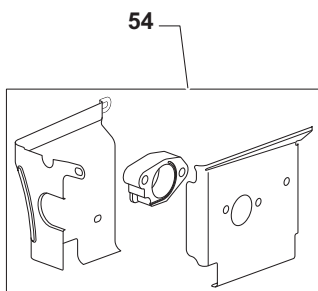
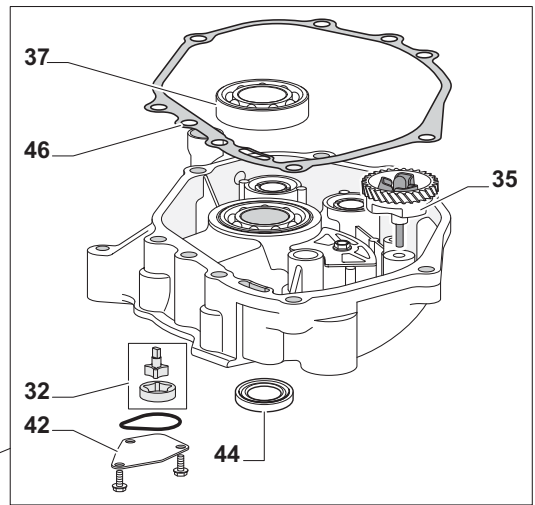
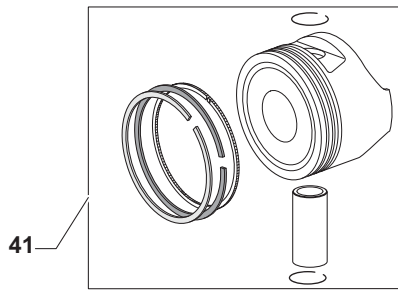
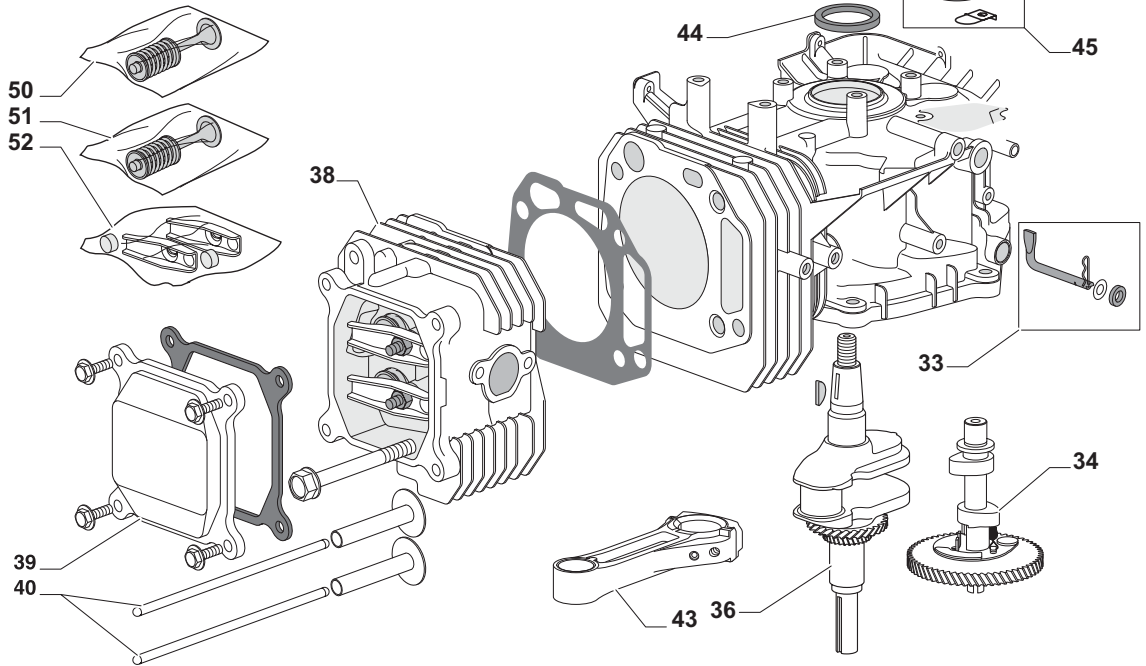
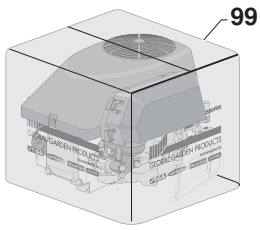




| Utgåva Issue 2009- 11 | | Bildnr Picture No 2346B | | GGP- MOTOR WM 12- 12,5 (414 cc) | | GGP- ENGINE WM 12- 12,5 (414 cc) | | Sida Page 446 | |
|-----------------------------|------------------|-------------------------------|--|---------------------------------------|-------------------|--|------------------------------|---------------------|---------------------|
| Pos. Fig. | Antal/Quantity | | | | Art nr Part No | Benämning | Description | Sats Kit | Anmärkning Notes |
| | WM 12 12,5 | | | | | | | | |
| 1 | 1 | | | | 118550207/0 | Kabel- likriktare | Output wire- rectifier | | |
| 2 | 1 | | | | 118550214/0 | Startmotor | Starter motor | | |
| 2A | 1 | | | | 118550365/1 | Rep.sats | Repair kit..... | | |
| 3 | 1 | | | | 118550208/0 | Likriktare | Rectifier | | |
| 4 | 1 | | | | 118550209/0 | Elektronikspole | Electronic coil | | |
| 4A | 1 | | | | 118550448/0 | .Tändstiftshatt..... | .Spark plug terminal..... | | |
| 5 | 1 | | | | 118550320/1 | Insugningsrör | Intake manifold | | |
| 6 | 1 | | | | 118550319/0 | Fläktkåpa kpl..... | Cover assy | | |
| 7 | 1 | | | | 118550235/0 | Kylfläkt..... | Cooling fan..... | | |
| 8 | 1 | | | | 118550234/1 | Svänghjul..... | Flywheel | | |
| 9 | 1 | | | | 118550205/1 | Oljepåfyllning kpl | Oil filler assy | | |
| 9A | 1 | | | | 118550444/0 | Oljepåfyllning kpl | Oil filler assy | | with fuel pump |
| 10 | 1 | | | | 118550330/1 | Regulatorarm..... | Governor lever | | |
| 11 | 1 | | | | 118550212/0 | .Wireklämma | .Casing clamp | | |
| 12 | 1 | | | | 118550213/0 | Regulatorfjäder..... | Governor spring..... | | |
| 13 | 1 | | | | 118550349/1 | Bränslepump | Fuel pump | | with fuel pump |
| 14 | 1 | | | | 118550434/0 | Förgasare..... | Carburettor..... | | |
| 14A | 1 | | | | 118550435/0 | Förgasare..... | Carburettor..... | | with fuel pump |
| 15 | 1 | | | | 118550325/1 | Ventilations slang | Breather tube | | |
| 16 | 1 | | | | 118550237/0 | Mutter..... | Nut | | |
| 17 | 1 | | | | 118550236/0 | Startskiva..... | Starter pulley..... | | |
| 18 | 1 | | | | 118550210/1 | Laddningsspole | Charge coil..... | | |
| 20 | 1 | | | | 118550239/1 | Regulatorlänk kpl..... | Governor rod assy | | |
| 21 | 1 | | | | 118550332/1 | Borstar..... | Brush hold | | |
| 22 | 1 | | | | 118550331/1 | Reglageplatta..... | Remote control plate..... | | |
| 24 | 1 | | | | 118550322/0 | .Luftfilterkåpa | .Air cleaner cover | | |
| 25 | 1 | | | | 118550321/0 | .Luftfilter | .Air filter | | |
| 27 | 1 | | | | 9400- 0244- 00 | Tändstift | Spark plug..... | | Champion RC12YC |
| 28 | 1 | | | | 118550348/1 | Fäste- bränslepump | Fuel pump bracket | | with fuel pump |
| 29 | 1 | | | | 118550432/0 | Bränsleslang | Fuel line..... | | |
| 29A | 1 | | | | 118550441/0 | Bränsleslang | Fuel line..... | | with fuel pump |
| 30 | 1 | | | | 118550354/1 | Bränslefilter | Fuel filter | | |
| 33 | 1 | | | | 118550217/0 | Packningssats | Gasket set | | |
| 34 | 1 | | | | 118550442/0 | Packn.sats- förgasare | Gasket kit- carb. | | |
| 35 | 1 | | | | 118550440/0 | Rep.sats- förgasare..... | Repair kit- carb..... | | |



| Utgåva Issue 2009- 11 | | Bildnr Picture No 2414A | | GGP- MOTOR WM 14 (432 cc) | | GGP- ENGINE WM 14 (432 cc) | | Sida Page 448 | |
|-----------------------------|----------------|-------------------------------|--|---------------------------------|-------------------|----------------------------------|------------------------------|---------------------|---------------------|
| Pos. Fig. | Antal/Quantity | | | | Art nr Part No | Benämning | Description | Sats Kit | Anmärkning Notes |
| | WM 14 | | | | | | | | |
| 1 | 1 | | | | 118550207/0 | Kabel- likriktare | Output wire- rectifier | | |
| 2 | 1 | | | | 118550214/0 | Startmotor | Starter motor | | |
| 2A | 1 | | | | 118550365/1 | Rep.sats | Repair kit..... | | |
| 3 | 1 | | | | 118550208/0 | Likriktare | Rectifier | | |
| 4 | 1 | | | | 118550209/0 | Elektronikspole | Electronic coil | | |
| 4A | 1 | | | | 118550448/0 | .Tändstiftshatt..... | .Spark plug terminal..... | | |
| 5 | 1 | | | | 118550203/0 | .Fläktgaller..... | .Fan cover | | |
| 6 | 1 | | | | 118550215/0 | Fläkthus kpl | Blower housing assy | | |
| 7 | 1 | | | | 118550235/0 | Kylfläkt..... | Cooling fan..... | | |
| 8 | 1 | | | | 118550234/1 | Svånghjul..... | Flywheel | | |
| 9 | 1 | | | | 118550205/1 | Oljepåfyllning kpl | Oil filler assy | | |
| 9A | 1 | | | | 118550444/0 | Oljepåfyllning kpl | Oil filler assy | | with fuel pump |
| 10 | 1 | | | | 118550330/1 | Regulatorarm..... | Governor lever | | |
| 11 | 1 | | | | 118550212/0 | .Wireklämma | .Casing clamp | | |
| 12 | 1 | | | | 118550213/0 | Regulatorfjäder..... | Governor spring..... | | |
| 13 | 1 | | | | 118550349/1 | Bränslepump | Fuel pump | | with fuel pump |
| 14 | 1 | | | | 118550374/0 | Förgasare kpl..... | Carburettor assy | | |
| 14A | 1 | | | | 118550375/0 | Förgasare kpl..... | Carburettor assy | | with fuel pump |
| 15 | 1 | | | | 118550225/1 | Ventilationssläng | Breather tube | | |
| 16 | 1 | | | | 118550237/0 | Mutter..... | Nut | | |
| 17 | 1 | | | | 118550236/0 | Startskiva..... | Starter pulley..... | | |
| 18 | 1 | | | | 118550210/1 | Laddningsspole | Charge coil..... | | |
| 20 | 1 | | | | 118550239/1 | Regulatorlänk kpl..... | Governor rod assy | | |
| 21 | 1 | | | | 118550332/1 | Borstar..... | Brush hold | | |
| 22 | 1 | | | | 118550331/1 | Reglageplatta..... | Remote control plate..... | | |
| 23 | 2 | | | | 118550201/0 | .Knopp | .Knob | | |
| 24 | 1 | | | | 118550200/0 | .Luftrenarlock | .Air cleaner cover | | |
| 25 | 1 | | | | 118550199/0 | .Luftfilter..... | .Air filter | | |
| 26 | 1 | | | | 118550202/1 | Luftfilter kpl | Air cleaner assy..... | | |
| 27 | 1 | | | | 9400- 0244- 00 | Tändstift | Spark plug..... | | Champion RC12YC |
| 28 | 1 | | | | 118550348/1 | Fäste..... | Bracket..... | | with fuel pump |
| 29 | 1 | | | | 118550432/0 | Bränsleslang..... | Fuel line..... | | |
| 29A | 1 | | | | 118550441/0 | Bränsleslang | Fuel line..... | | with fuel pump |
| 30 | 1 | | | | 118550354/1 | Bränslefilter | Fuel filter | | |
| 33 | 1 | | | | 118550217/0 | Packningssats | Gasket set | | |
| 34 | 1 | | | | 118550442/0 | Packn.sats- förg..... | Gasket kit- carb. | | |
| 35 | 1 | | | | 118550440/0 | Rep.sats- förg. | Repair kit- carb..... | | |



| Utgåva Issue 2009- 11 | | Bildnr Picture No 2347B | | GGP- MOTOR WM 12- 12,5 WM 14 | | GGP- ENGINE WM 12- 12,5 WM 14 | | Sida Page 450 | |
|-----------------------------|------------------|-------------------------------|--|------------------------------------|-------------------|-------------------------------------|----------------------------|---------------------|---------------------|
| Pos. Fig. | Antal/Quantity | | | | Art nr Part No | Benämning | Description | Sats Kit | Anmärkning Notes |
| | WM 12 12,5 | WM 14 | | | | | | | |
| 31 | 1 | 1 | | | 118550445/0 | Vevhuslock kpl | Crankcase cover assy..... | | |
| 32 | 1 | 1 | | | 118550224/0 | .Oljepump | .Oil pump | | |
| 33 | 1 | 1 | | | 118550226/0 | Regulatorarm..... | Governor lever | | |
| 34 | 1 | 1 | | | 118550243/0 | Kamaxel..... | Camshaft..... | | |
| 35 | 1 | 1 | | | 118550347/0 | .Regulatordrev | .Speed governor..... | | |
| 36 | 1 | 1 | | | 118550232/0 | Vevaxel | Crankshaft..... | | |
| 37 | 1 | 1 | | | 118550227/0 | .Kullager | .Ball bearing | | |
| 38 | 1 | 1 | | | 118550233/0 | Topplock..... | Cylinder head | | |
| 39 | 1 | 1 | | | 118550206/0 | Ventillock..... | Head cover | | |
| 40 | 1 | 1 | | | 118550242/0 | Stötstångssats..... | Push rod set..... | | |
| 41 | 1 | | | | 118550328/1 | Kolv kpl..... | Piston assy | | |
| 41 | | 1 | | | 118550329/1 | Kolv kpl..... | Piston assy | | |
| 42 | 1 | 1 | | | 118550223/0 | .Oljepumplock..... | .Oil pump cover..... | | |
| 43 | 1 | 1 | | | 118550231/0 | Vevstake | Connecting rod | | |
| 44 | 2 | 2 | | | 118550443/0 | .Tätningssats | .Oil seal | | |
| 45 | 1 | 1 | | | 118550446/0 | Packning..... | Gasket | | |
| 46 | 1 | 1 | | | 118550355/1 | .Vevhuspackning | .Crankcase gasket | | |
| 50 | 1 | 1 | | | 118550240/0 | Insugn.ventil..... | Intake valve | | |
| 51 | 1 | 1 | | | 118550241/0 | Utblåsn.ventil..... | Exhaust valve | | |
| 52 | 1 | 1 | | | 118550334/0 | Vipparm | Valve arm | | |
| 53 | | 1 | | | 118550450/0 | Packningssats | Gasket set | | |
| 53 | 1 | | | | 118550438/0 | Packningssats | Gasket set | | |
| 54 | 1 | 1 | | | 118550220/0 | Skyddsplåt..... | Shroud comp kit | | |
| 55 | 1 | | | | 118550436/0 | Kolvringssats..... | Piston ring set..... | | |
| 55 | | 1 | | | 118550447/0 | Kolvringssats..... | Piston ring set..... | | |
| 56 | 1 | | | | 118550437/0 | Packn.sats- topplock..... | Gasket set- cyl.head | | |
| 56 | | 1 | | | 118550449/0 | Packn.sats- topplock..... | Gasket set- cyl.head | | |
| 99 | 1 | | | | 118550436/0 | Motor kpl | Engine assy..... | | |
| 99 | | 1 | | | 118550451/0 | Motor kpl | Engine assy..... | | |