

ALPINK

www.alpinagarden.com

> Illustrated Parts List

for:

> **BT 84 B**

- Use GLOBAL GARDEN PRODUCT genuine spare parts specified in the parts list for repair and/or replacement.
- The contents described in the parts list may change due to improvement.
- The drawings of the spare part are only indicative and might not represent the part in question exactly.
- The indications "right" - "left" - "front" - "rear" refer to the position of the operator when using the machine.
- When placing orders of parts for repair and/or replacement, make sure that the illustrated parts list is the one applying to the machine's year of manufacture, as shown on the identification plate attached to the machine.

© Copyright 2014 Global Garden Products

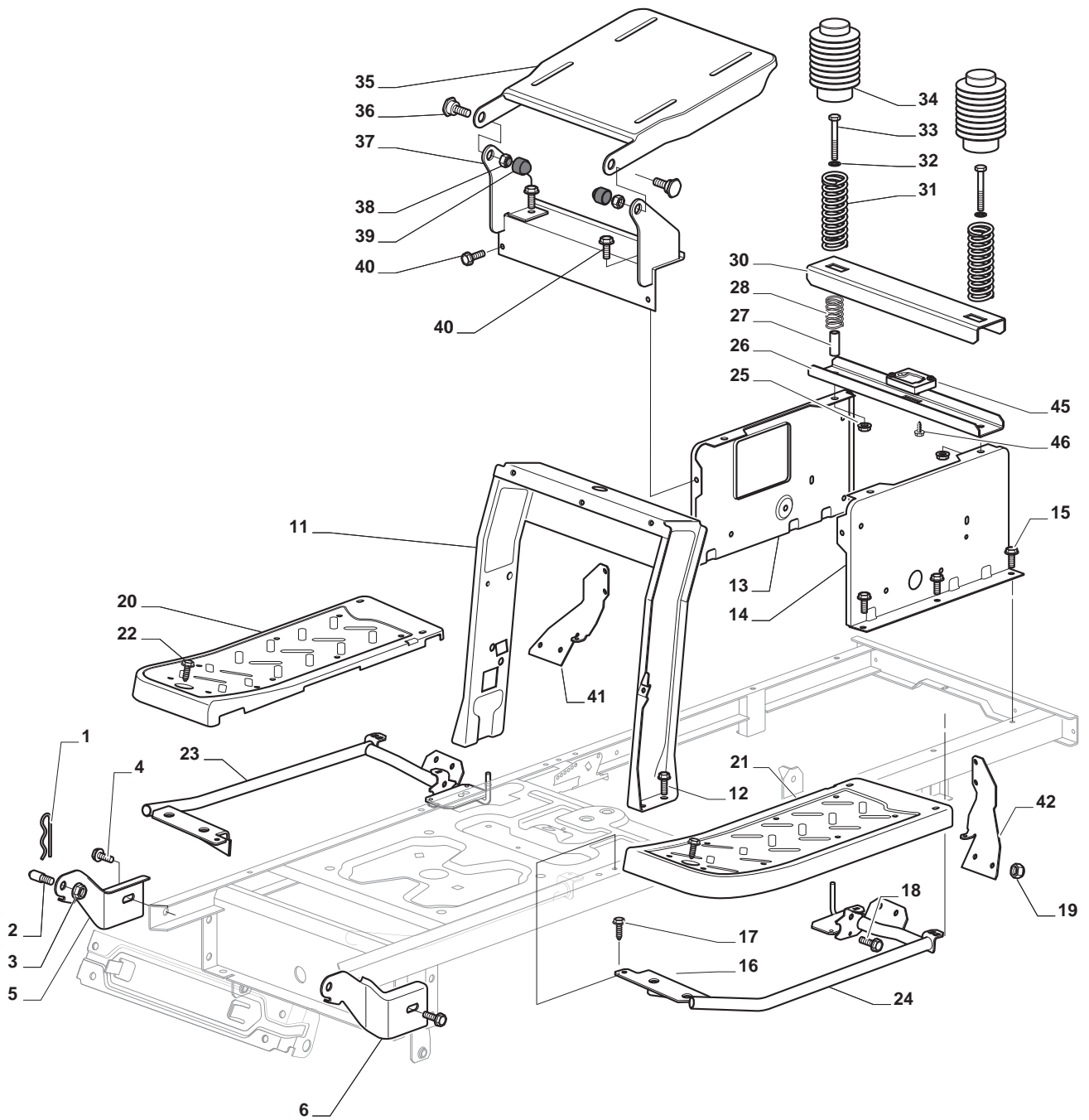
All content is subject to copyright by Global Garden Products and may not be reproduced in whole or in part by any means, electronic or otherwise, without prior written approval.

THIS INFORMATION IS NOT INTENDED FOR SALE OR RESALE, AND THIS NOTICE MUST REMAIN ON ALL COPIES.

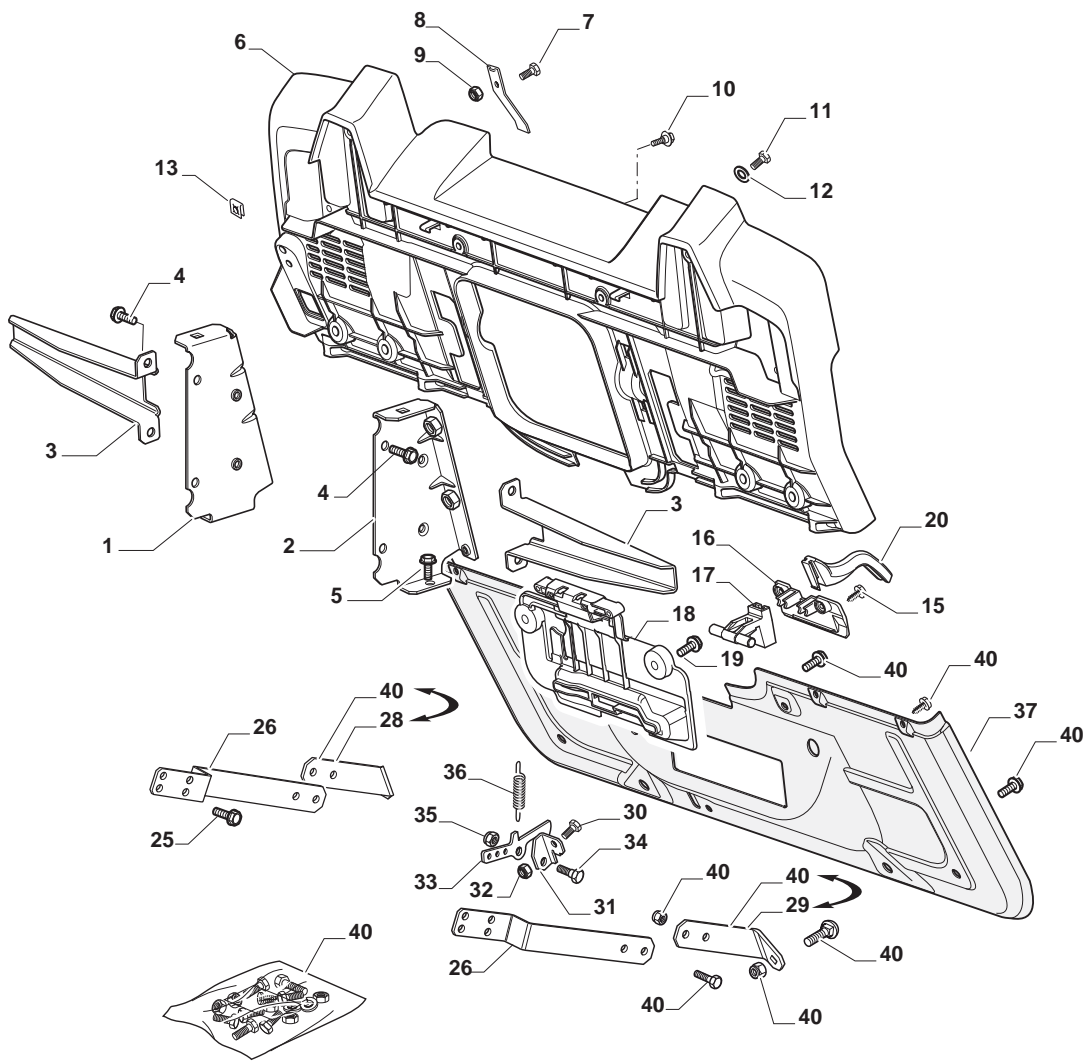
www.ggp-group.com



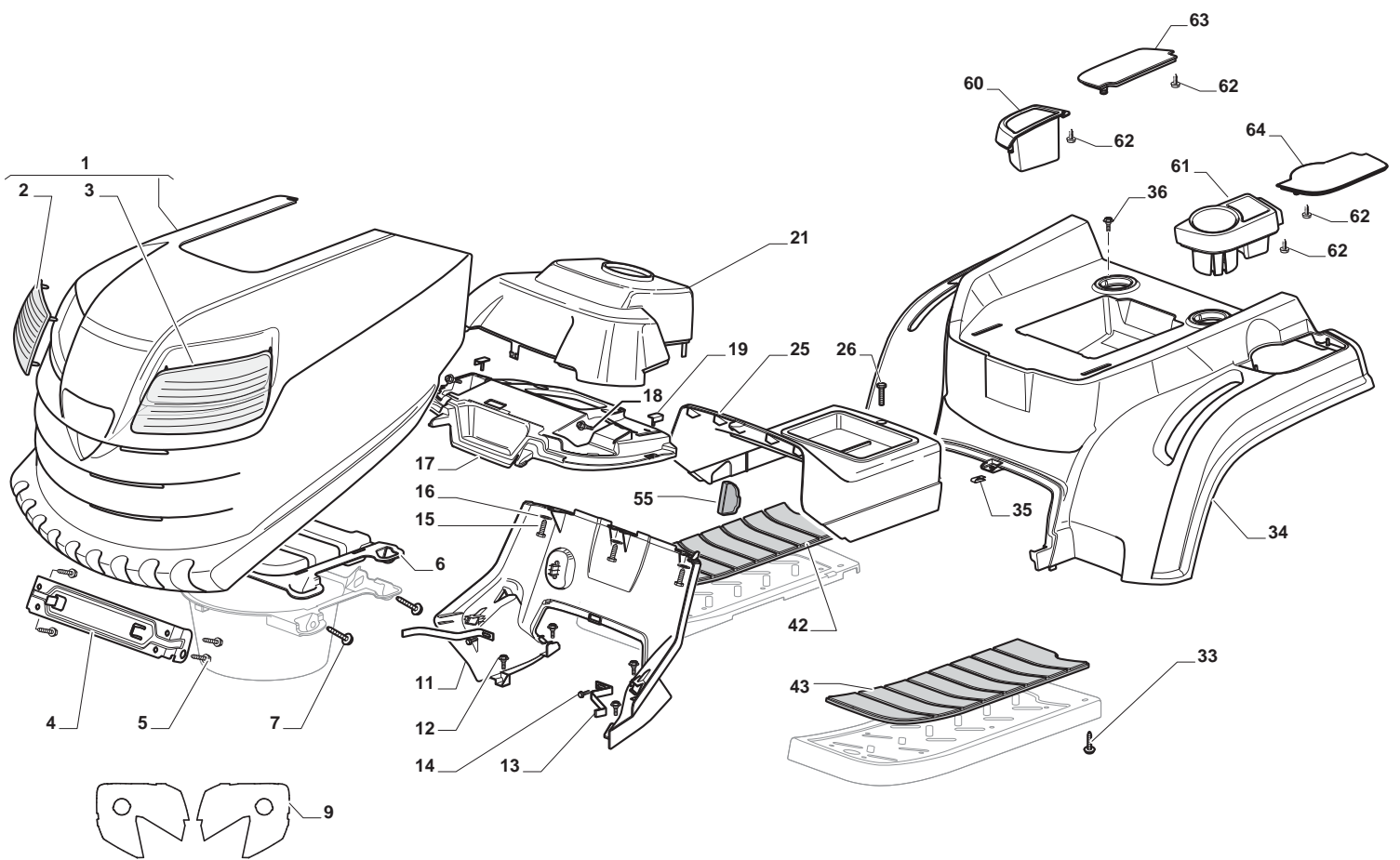
Engineered to amaze you



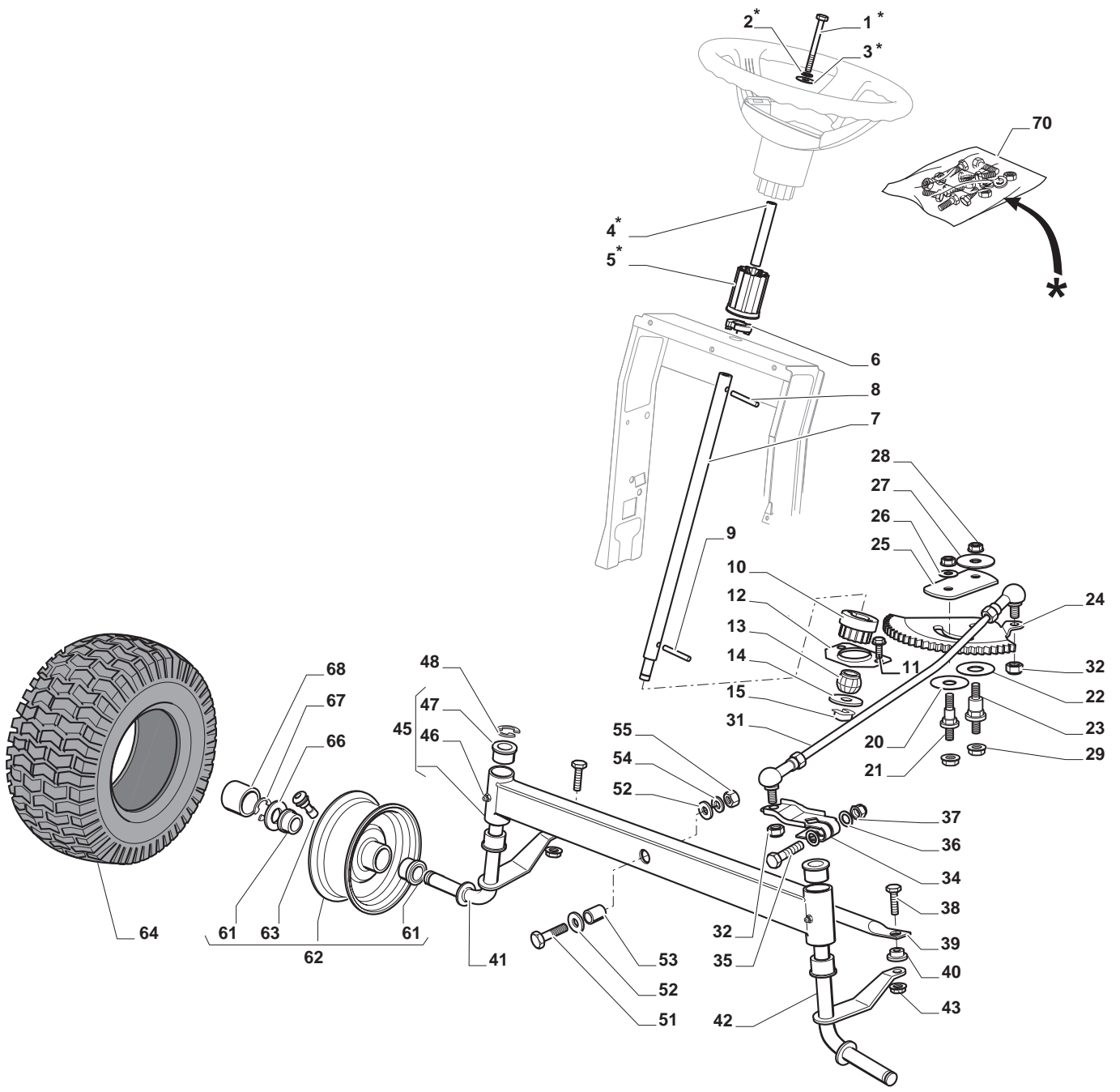
| Chassis | | | | |
|----------------|-------------|-------------|-------------------------|--------------|
| POS | CODE | Q.TY | DESCRIPTION | NOTES |
| 1 | 124487998/0 | 1 | Cotter Pin | |
| 2 | 125510079/1 | 2 | Pin | |
| 3 | 112155000/0 | 2 | Nut | |
| 4 | 112735599/0 | 2 | Screw | |
| 5 | 325547225/0 | 1 | Right Plate | |
| 6 | 325547227/0 | 1 | Left Plate | |
| 11 | 382785169/1 | 1 | Steering Column Support | |
| 12 | 125943009/0 | 4 | Screw | |
| 13 | 325785331/1 | 1 | Right Seat Support | |
| 14 | 325785333/1 | 1 | Left Seat Support | |
| 15 | 125943009/0 | 6 | Screw | |
| 16 | 382785179/0 | 1 | Footboard Support | |
| 17 | 125943009/0 | 2 | Screw | |
| 18 | 125943009/0 | 2 | Screw | |
| 19 | 112155000/0 | 10 | Nut | |
| 20 | 325500041/1 | 1 | Right Footboard | |
| 21 | 325500043/1 | 1 | Left Footboard | |
| 22 | 112735599/0 | 2 | Screw | |
| 23 | 382785221/0 | 1 | Footboard Support | |
| 24 | 382785223/0 | 1 | Footboard Support | |
| 25 | 112293201/0 | 2 | Nut | |
| 26 | 325820109/1 | 1 | Seat Support | |
| 27 | 125160048/0 | 2 | Spacer | |
| 28 | 125430263/0 | 2 | Spring | |
| 30 | 325820111/1 | 1 | Switch Comand Cross | |
| 31 | 125430264/0 | 2 | Spring | |
| 32 | 112521350/0 | 2 | Washer | |
| 33 | 112691400/0 | 2 | Screw | |
| 34 | 325122002/0 | 2 | Hood | |
| 35 | 382547061/0 | 1 | Plate | |
| 36 | 122524970/2 | 2 | Fulcrum Pin | |
| 37 | 382820151/0 | 1 | Seat Support | |
| 38 | 112155010/0 | 2 | Self-Locking Nut | |
| 39 | 118203854/0 | 2 | Screw | |
| 40 | 125943009/0 | 12 | Screw | |
| 41 | 325650155/0 | 1 | Support | |
| 42 | 325650157/0 | 1 | Support | |
| 45 | 325785379/1 | 1 | Micro Support | |
| 46 | 112728686/0 | 2 | Screw | |



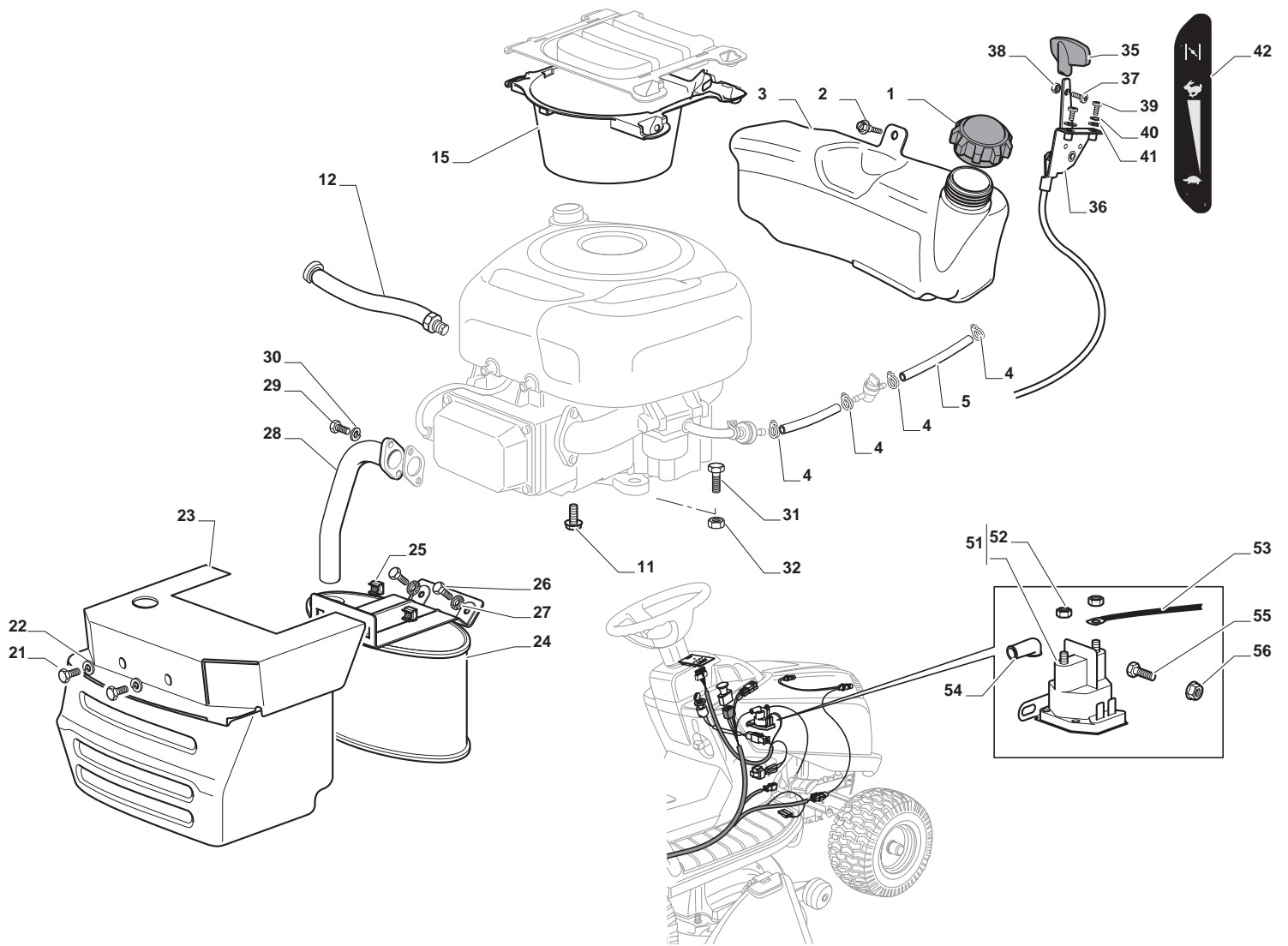
| Rear Plate | | | | |
|------------|-------------|------|------------------------|-------|
| POS | CODE | Q.TY | DESCRIPTION | NOTES |
| 1 | 325774501/0 | 1 | Clamp | |
| 2 | 325774507/0 | 1 | Clamp | |
| 3 | 325650163/0 | 2 | Stiffening | |
| 4 | 125943009/0 | 8 | Screw | |
| 5 | 125943009/0 | 2 | Screw | |
| 6 | 325547299/1 | 1 | Rear Plate, Upper Part | |
| 7 | 112789008/0 | 1 | Screw | |
| 8 | 127430600/0 | 1 | Spring | |
| 9 | 112154330/0 | 1 | Low Self-Locking Nut | |
| 10 | 125943010/0 | 4 | Screw | |
| 11 | 112789008/0 | 6 | Screw | |
| 12 | 112523020/0 | 6 | Washer | |
| 13 | 112437503/0 | 6 | Plate | |
| 15 | 112728686/0 | 2 | Screw | |
| 16 | 325109522/0 | 1 | Protection Cover | |
| 17 | 325318276/0 | 1 | Gearshift | |
| 18 | 325785400/1 | 1 | Micro Support | |
| 19 | 125943010/0 | 2 | Screw | |
| 20 | 325318277/0 | 1 | Lever | |
| 25 | 112793102/0 | 4 | Screw | |
| 26 | 325774521/0 | 2 | Clamp | |
| 28 | 325650151/0 | 1 | Stiffening | |
| 29 | 325650153/0 | 1 | Stiffening | |
| 30 | 112789008/0 | 1 | Screw | |
| 31 | 325755061/0 | 1 | Bracket | |
| 32 | 112154330/0 | 1 | Low Self-Locking Nut | |
| 33 | 325774533/0 | 1 | Clamp | |
| 34 | 125510080/1 | 1 | Pin | |
| 35 | 112154510/0 | 1 | Nut | |
| 36 | 125430282/1 | 1 | Spring | |
| 37 | 382547071/1 | 1 | Rear Plate | |
| 40 | 382180121/0 | 1 | Screw | |



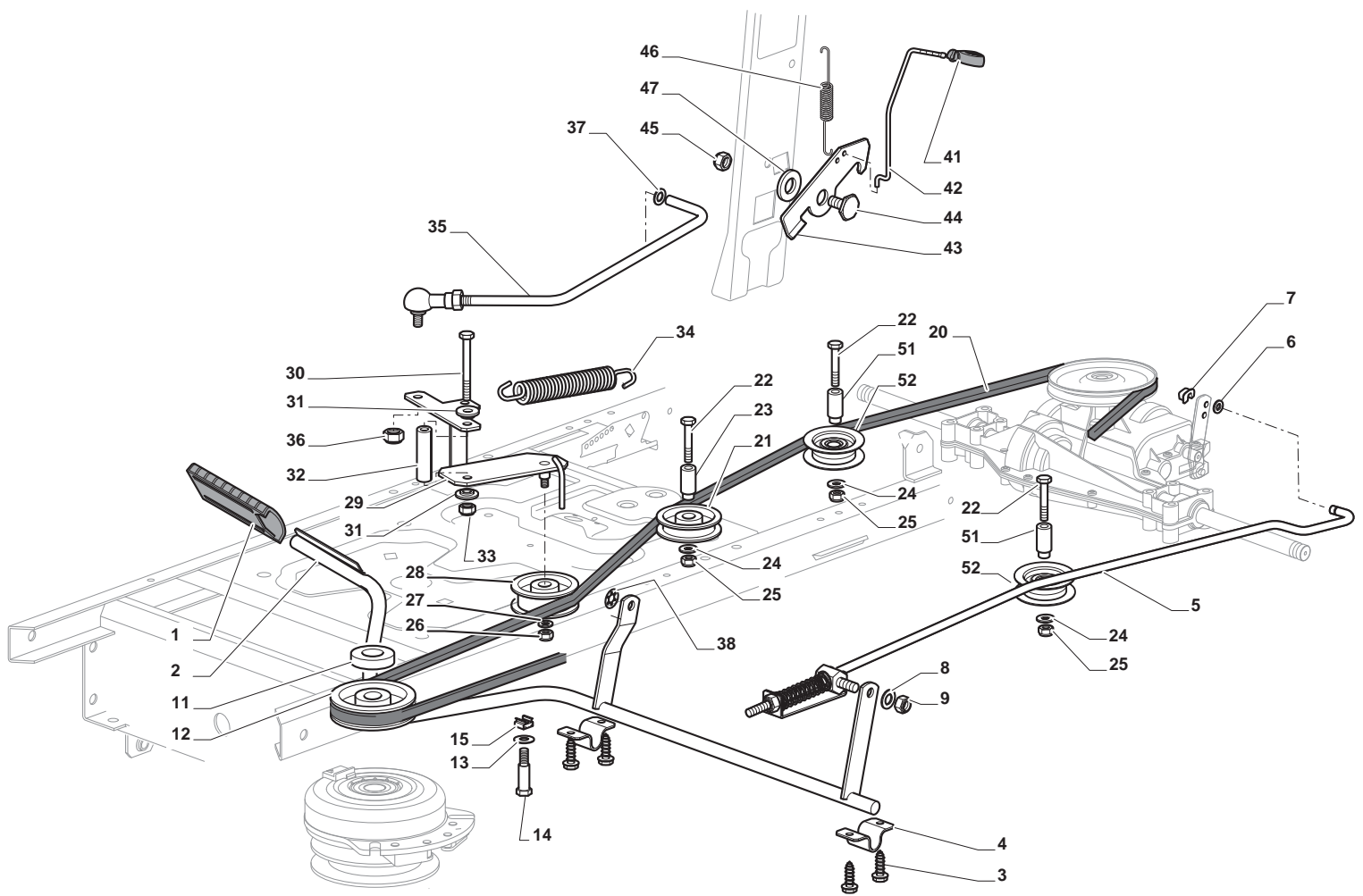
| Body | | | | |
|-------------|-------------|-------------|-----------------------|--------------|
| POS | CODE | Q.TY | DESCRIPTION | NOTES |
| 1 | 325076899/0 | 1 | Engine Hood Black | |
| 2 | 325410887/0 | 1 | Right Grill | |
| 3 | 325410888/0 | 1 | Left Grill | |
| 4 | 325785317/0 | 1 | Engine Hood Support | |
| 5 | 112735403/0 | 4 | Screw | |
| 6 | 325263302/1 | 1 | Air Intake Grill | |
| 7 | 112728692/0 | 4 | Screw | |
| 9 | 114363452/0 | 1 | Label | |
| 11 | 325785298/0 | 1 | Dashboard Support | |
| 12 | 125943010/0 | 4 | Screw | |
| 13 | 325270325/0 | 2 | Guide | |
| 14 | 112735599/0 | 2 | Screw | |
| 15 | 112735406/0 | 3 | Screw | |
| 16 | 112523040/0 | 3 | Washer | |
| 17 | 325120209/0 | 1 | Dashboard | |
| 18 | 125943010/0 | 2 | Screw | |
| 19 | 325260003/0 | 2 | Grommet | |
| 21 | 325120203/0 | 1 | Cover | |
| 25 | 325110397/1 | 1 | Cover, Black | |
| 26 | 125943010/0 | 1 | Screw | |
| 33 | 112735406/0 | 4 | Screw | |
| 34 | 325110435/0 | 1 | Black Wheels Cover | |
| 35 | 112437506/0 | 1 | Plate | |
| 36 | 125943010/0 | 2 | Screw | |
| 42 | 325110384/0 | 1 | Right Footboard Cover | |
| 43 | 325110385/0 | 1 | Left Footboard Cover | |
| 55 | 325207191/0 | 1 | Plate | |
| 60 | 325207198/0 | 1 | Cover | |
| 61 | 325207199/0 | 1 | Cover | |
| 62 | 112735403/0 | 4 | Screw | |
| 63 | 325207196/0 | 1 | Cover | |
| 64 | 325207197/0 | 1 | Cover | |



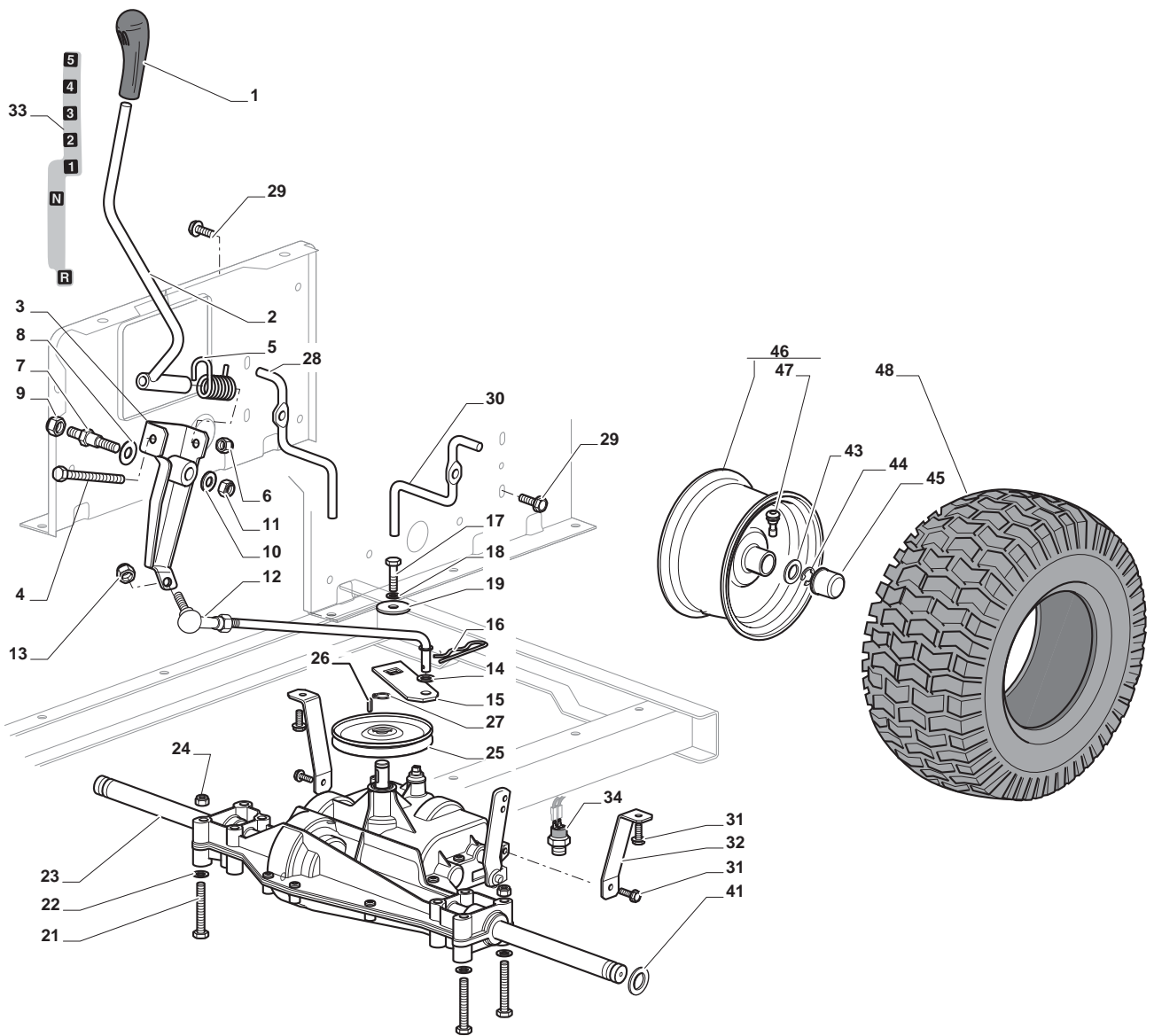
| Steering | | | | |
|----------|-------------|------|------------------------------------|-------|
| POS | CODE | Q.TY | DESCRIPTION | NOTES |
| 1 | 112692050/0 | 1 | Screw | |
| 2 | 112540260/0 | 1 | Grower | |
| 3 | 112523070/0 | 1 | Washer | |
| 4 | 125160047/0 | 1 | Spacer | |
| 5 | 325785318/0 | 1 | Support | |
| 6 | 325038008/0 | 1 | Bushing | |
| 7 | 125520007/0 | 1 | Steering Column | |
| 8 | 112620300/0 | 1 | Pin | |
| 9 | 112622650/0 | 1 | Pin | |
| 10 | 125570003/0 | 1 | Pinion | |
| 11 | 127943051/0 | 2 | Screw | |
| 12 | 325785213/1 | 1 | Support | |
| 13 | 325743000/0 | 1 | Joint Tc/Junior | |
| 14 | 112521370/0 | 1 | Washer | |
| 15 | 112436030/0 | 1 | Plate | |
| 20 | 322672151/0 | 1 | Antifriction Washer | |
| 21 | 125510104/0 | 1 | Pin | |
| 22 | 125670023/0 | 1 | Washer | |
| 23 | 125510109/0 | 1 | Pin | |
| 24 | 325735519/0 | 1 | Steering Shaft | |
| 25 | 325547233/0 | 1 | Plate | |
| 26 | 112369500/0 | 1 | Elastic Washer | |
| 27 | 122160400/0 | 1 | Elastic Disk | |
| 28 | 112155010/0 | 2 | Self-Locking Nut | |
| 29 | 112155010/0 | 2 | Self-Locking Nut | |
| 31 | 382000566/2 | 1 | #N/D | |
| 32 | 112156602/0 | 2 | Nut | |
| 34 | 325318243/0 | 1 | Lever | |
| 35 | 112692390/0 | 1 | Screw | |
| 36 | 112521360/0 | 2 | Washer | |
| 37 | 112156602/0 | 1 | Nut | |
| 38 | 125510103/0 | 2 | Pin | |
| 39 | 325840029/0 | 1 | Tie Rod | |
| 40 | 325038007/0 | 2 | Bushing | |
| 41 | 382230373/0 | 1 | Right Stub Axle | |
| 42 | 382230375/0 | 1 | Left Stub Axle | |
| 43 | 112155000/0 | 2 | Nut | |
| 45 | 382034030/0 | 1 | Equalizer With Bush And Lubricator | |
| 46 | 112379511/0 | 2 | Grease Dispenser | |
| 47 | 125034002/1 | 4 | Bush | |
| 48 | 112001010/0 | 1 | Benzing Ring | |
| 51 | 112692695/0 | 1 | Screw | |
| 52 | 112523100/0 | 2 | Washer | |
| 53 | 125160016/0 | 1 | Equalizer Spacer | |
| 54 | 112587100/0 | 1 | Grower | |
| 55 | 112295300/0 | 1 | Hexagonal Nut | |
| 61 | 125122200/2 | 4 | Bearing | |
| 62 | 182000598/0 | 2 | Rimm | |
| 63 | 125950000/0 | 2 | Valve | |
| 64 | 125590014/0 | 2 | Tyre | |
| 66 | 125670005/1 | 2 | Washer | |
| 67 | 112001010/0 | 2 | Benzing Ring | |
| 68 | 322110233/0 | 2 | Hub Cover | |
| 70 | 382180124/0 | 1 | Screw | |



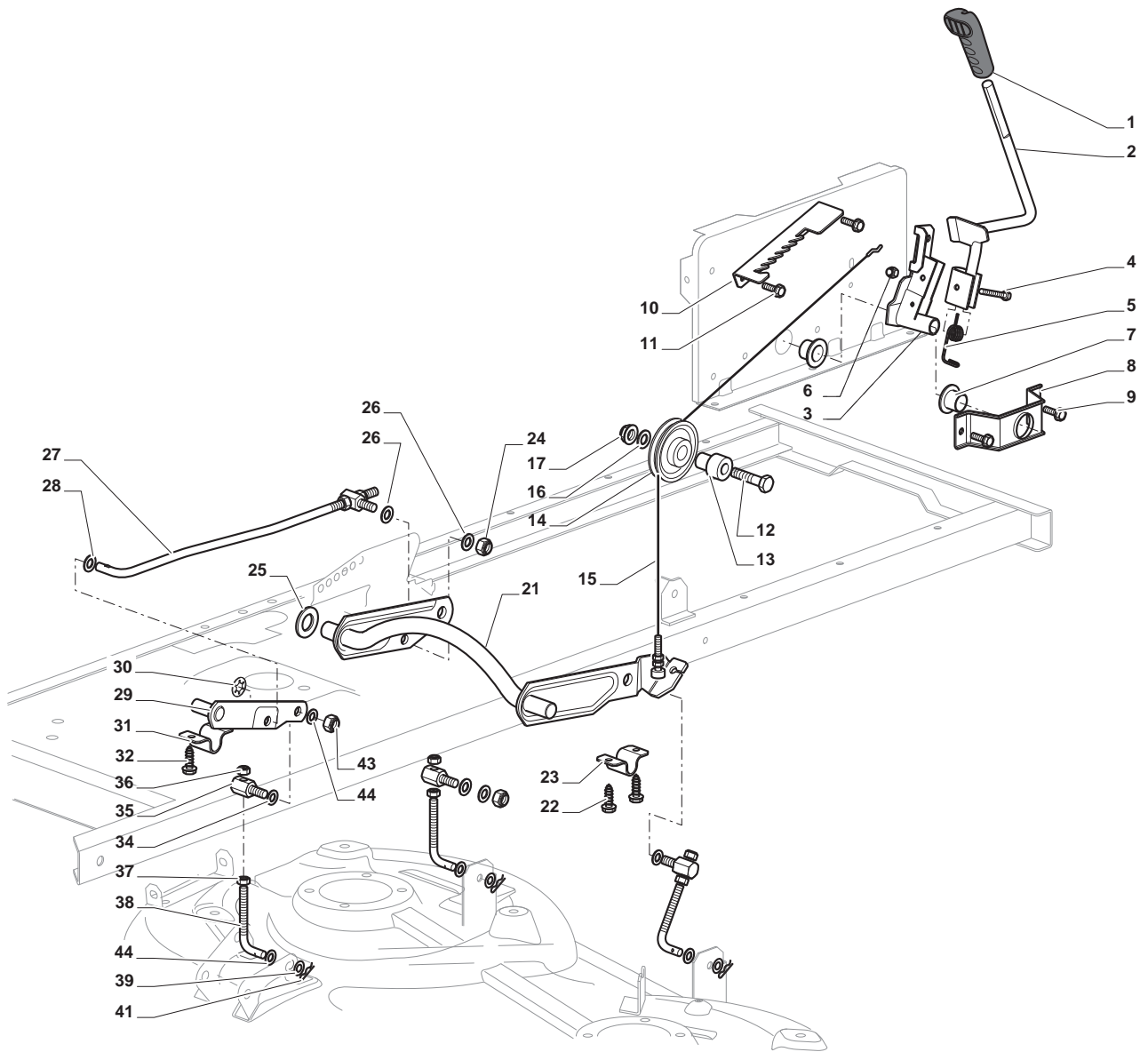
| Engine - B&S 13,5 hp | | | | |
|----------------------|--------------|------|--------------------|-------|
| POS | CODE | Q.TY | DESCRIPTION | NOTES |
| 1 | 125795001/1 | 1 | Fuel Cap | |
| 2 | 125943010/0 | 4 | Screw | |
| 3 | 325735126/0 | 1 | Tank | |
| 4 | 118375051/1 | 4 | Fair Led | |
| 5 | 325869057/0 | 1 | Connecting Tube | |
| 11 | 112735108/1 | 3 | Screw | |
| 12 | 1134-5827-01 | 1 | Oil Drain Assy | |
| 15 | 325108044/1 | 1 | Conveyor | |
| 21 | 112792611/0 | 2 | Screw | |
| 22 | 112540260/0 | 2 | Grower | |
| 23 | 382598047/0 | 1 | Muffler Protection | |
| 24 | 182750010/0 | 1 | Muffler | |
| 25 | 112360425/0 | 2 | Nut | |
| 26 | 112792611/0 | 2 | Screw | |
| 27 | 112540260/0 | 2 | Grower | |
| 28 | 118738224/0 | 1 | Exhaust Conn. Tube | |
| 29 | 112737450/0 | 2 | Screw | |
| 30 | 112540260/0 | 2 | Grower | |
| 31 | 112691115/0 | 1 | Screw | |
| 32 | 112154210/0 | 3 | Self-Locking Nut | |
| 35 | 325394531/0 | 1 | Knob | |
| 36 | 182000216/0 | 1 | Accelerator | |
| 37 | 112726389/0 | 1 | Screw | |
| 38 | 112290800/0 | 1 | Hexagonal Nut | |
| 39 | 112726389/0 | 2 | Screw | |
| 40 | 112540020/0 | 2 | Washer | |
| 41 | 112521310/0 | 2 | Washer | |
| 42 | 114363697/0 | 1 | Label | |
| 51 | 118736111/0 | 1 | Starter Relay | |
| 52 | 112360352/0 | 2 | Nut | |
| 53 | 125065002/0 | 1 | Cable | |
| 54 | 118564864/1 | 1 | Protection | |
| 55 | 112790781/0 | 1 | Screw | |
| 56 | 112154510/0 | 2 | Nut | |



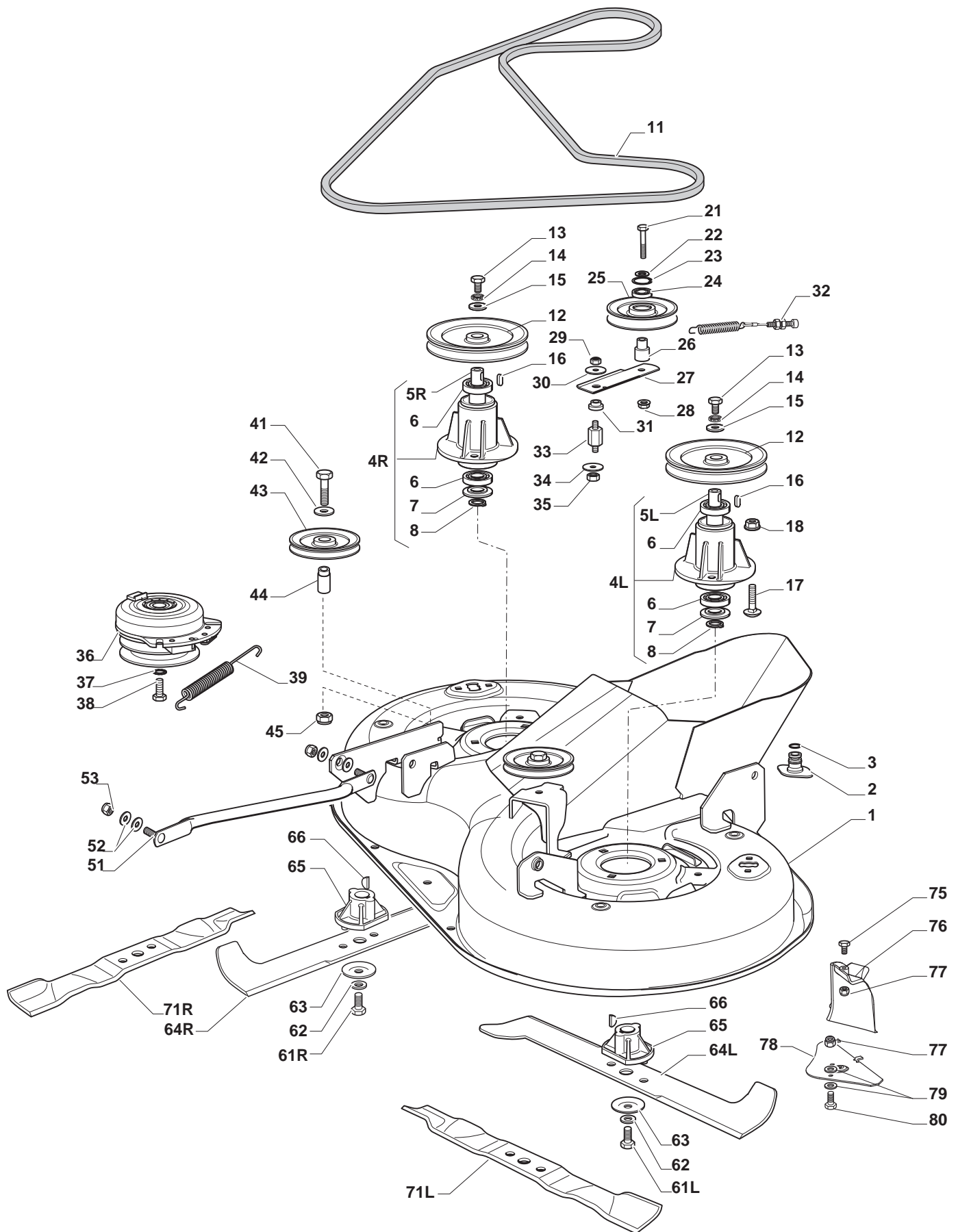
| Brake And Gearbox Controls | | | | |
|----------------------------|-------------|------|---------------------|-------|
| POS | CODE | Q.TY | DESCRIPTION | NOTES |
| 1 | 325110391/0 | 1 | Clamp Cover | |
| 2 | 382500047/0 | 1 | Pedal | |
| 3 | 112735599/0 | 4 | Screw | |
| 4 | 325547231/0 | 2 | Plate | |
| 5 | 382000568/0 | 1 | Rod | |
| 6 | 112521350/0 | 1 | Washer | |
| 7 | 112436050/0 | 1 | Plate | |
| 8 | 325670011/0 | 1 | Antifriction Washer | |
| 9 | 112155000/0 | 1 | Nut | |
| 11 | 125160021/0 | 1 | Spacer | |
| 12 | 125601567/0 | 1 | Pulley | |
| 13 | 112524010/0 | 2 | Washer | |
| 14 | 125580030/0 | 2 | Belt Guide (Mech.) | |
| 15 | 112360425/0 | 2 | Nut | |
| 20 | 135062018/0 | 1 | Belt | |
| 21 | 325601599/0 | 1 | Pulley | |
| 22 | 112691400/0 | 3 | Screw | |
| 23 | 125160083/0 | 1 | Spacer | |
| 24 | 112523060/0 | 3 | Washer | |
| 25 | 112155000/0 | 3 | Nut | |
| 26 | 112155000/0 | 1 | Nut | |
| 27 | 112523060/0 | 1 | Washer | |
| 28 | 125601554/0 | 1 | Pulley | |
| 29 | 382318283/0 | 1 | Lever | |
| 30 | 112691600/0 | 1 | Screw | |
| 31 | 125038002/1 | 2 | Bush | |
| 32 | 125160027/0 | 1 | Spacer | |
| 33 | 112155000/0 | 1 | Nut | |
| 34 | 125430262/0 | 1 | Spring | |
| 35 | 382820016/1 | 1 | Tie Rod Ass.Y | |
| 36 | 112293201/0 | 1 | Nut | |
| 37 | 124487997/0 | 1 | Cotter Pin | |
| 38 | 112604899/0 | 1 | Crown Fastener | |
| 41 | 125394509/1 | 1 | Knob | |
| 42 | 125033113/0 | 1 | Rod | |
| 43 | 325253011/1 | 1 | Hook | |
| 44 | 122524970/2 | 1 | Fulcrum Pin | |
| 45 | 112155000/0 | 1 | Nut | |
| 46 | 125430213/0 | 1 | Spring | |
| 47 | 112523060/0 | 1 | Washer | |
| 51 | 125160068/0 | 2 | Spacer | |
| 52 | 125601592/0 | 2 | Pulley | |



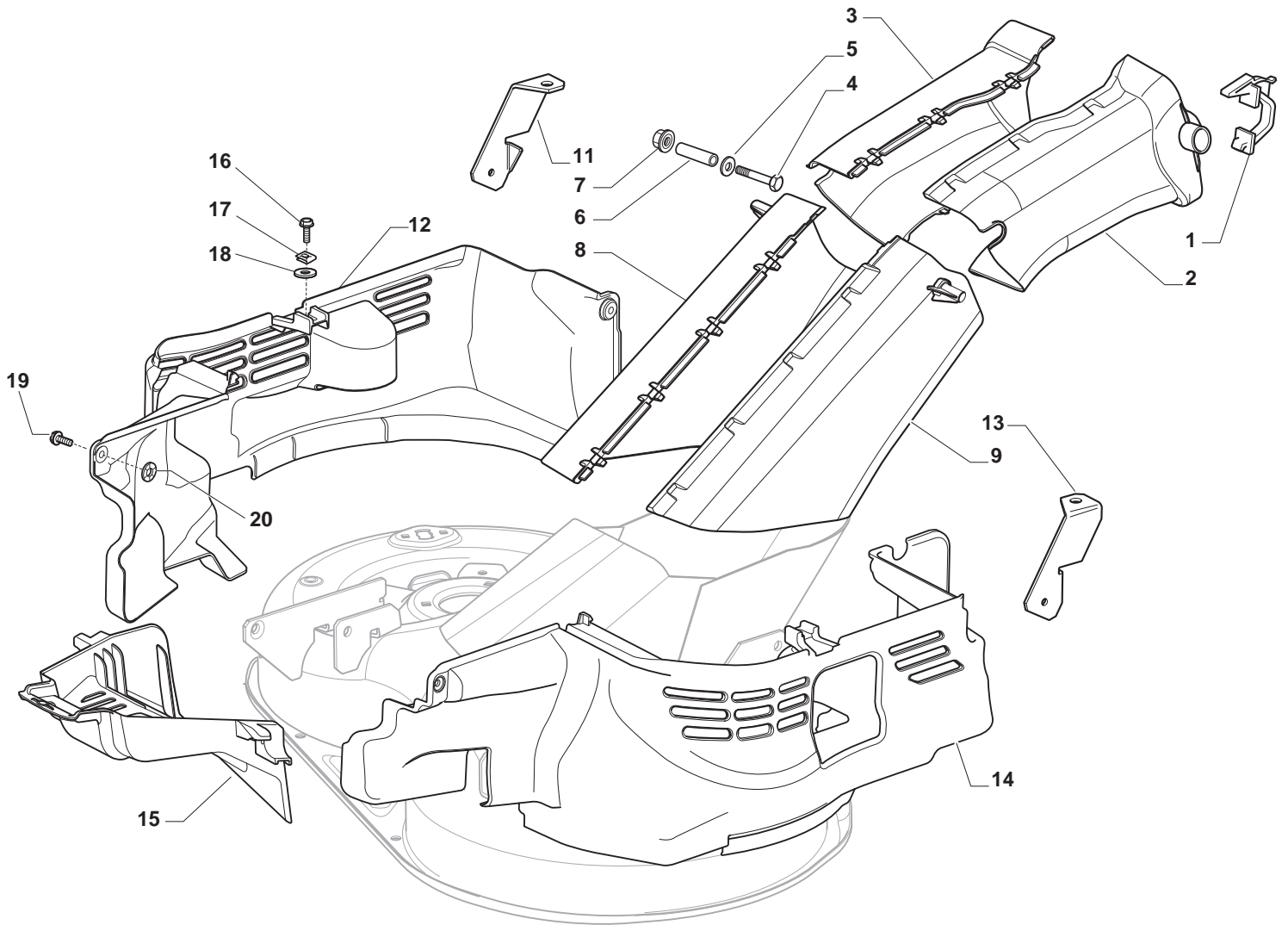
| Brake And Gearbox Controls | | | | |
|----------------------------|-------------|------|------------------------|-------|
| POS | CODE | Q.TY | DESCRIPTION | NOTES |
| 1 | 325394532/0 | 1 | Knob | |
| 2 | 382318257/0 | 1 | Lever | |
| 3 | 382774259/0 | 1 | Clamp | |
| 4 | 112692050/0 | 1 | Screw | |
| 5 | 125430226/0 | 1 | Spring | |
| 6 | 112155000/0 | 1 | Nut | |
| 7 | 125510035/0 | 1 | Pin | |
| 8 | 322672151/0 | 1 | Antifriction Washer | |
| 9 | 112155010/0 | 1 | Self-Locking Nut | |
| 10 | 112523060/0 | 1 | Washer | |
| 11 | 112155010/0 | 1 | Self-Locking Nut | |
| 12 | 382000649/0 | 1 | Rod | |
| 13 | 112154210/0 | 1 | Self-Locking Nut | |
| 14 | 112521340/0 | 1 | Washer | |
| 15 | 325318235/0 | 1 | Lever | |
| 16 | 112141418/0 | 1 | Cotter Pin | |
| 17 | 112735520/0 | 1 | Screw | |
| 18 | 112540040/0 | 1 | Washer | |
| 19 | 322680009/0 | 1 | Washer | |
| 21 | 112691600/0 | 4 | Screw | |
| 22 | 112521350/0 | 4 | Washer | |
| 23 | 118400910/2 | 1 | Transmission | |
| 24 | 112155000/0 | 4 | Nut | |
| 25 | 182601509/0 | 1 | Pulley | |
| 26 | 112139430/0 | 1 | Key | |
| 27 | 112608950/0 | 1 | Seeger | |
| 28 | 125270329/0 | 1 | Belt Guide | |
| 29 | 112735599/0 | 2 | Screw | |
| 30 | 125270330/0 | 1 | Belt Guide | |
| 31 | 125943009/0 | 4 | Screw | |
| 32 | 325785315/0 | 2 | Support | |
| 33 | 114366141/0 | 1 | Label | |
| 34 | 119410608/1 | 1 | Neutral Switch (Mech.) | |
| 41 | 125670005/2 | 2 | Washer | |
| 43 | 125670005/1 | 6 | Washer | |
| 44 | 112001010/0 | 2 | Benzing Ring | |
| 45 | 322110233/0 | 2 | Hub Cover | |
| 46 | 382000597/0 | 2 | Rimm | |
| 47 | 125950000/0 | 2 | Valve | |
| 48 | 125590015/0 | 2 | Tyre | |



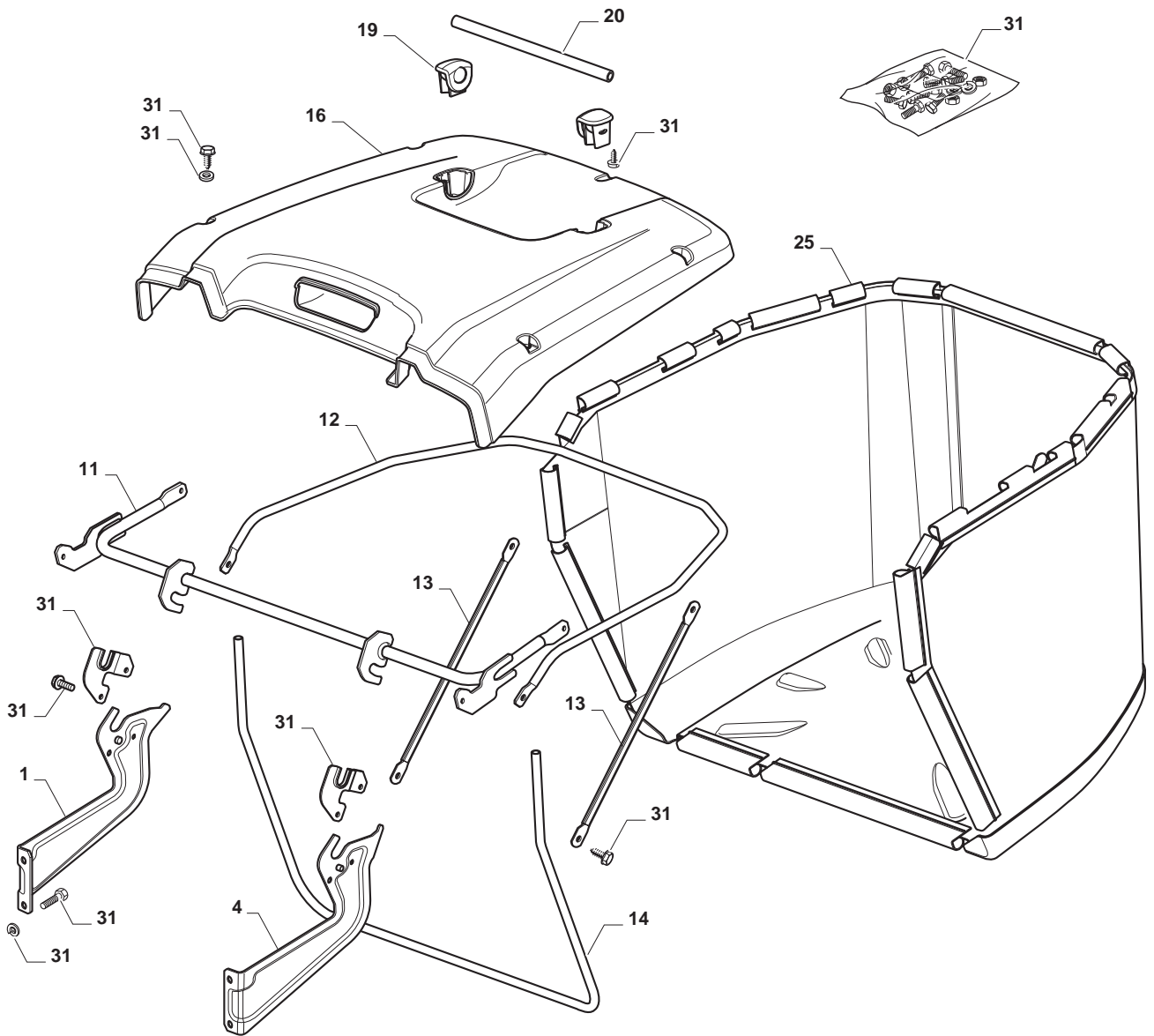
| Cutting Plate Lifting | | | | |
|-----------------------|-------------|------|---------------------|-------|
| POS | CODE | Q.TY | DESCRIPTION | NOTES |
| 1 | 325394533/0 | 1 | Knob | |
| 2 | 382318255/0 | 1 | Lever | |
| 3 | 382318231/0 | 1 | Axle | |
| 4 | 112674700/0 | 1 | Screw | |
| 5 | 125430261/0 | 1 | Spring | |
| 6 | 112154510/0 | 1 | Nut | |
| 7 | 325038006/0 | 2 | Bushing | |
| 8 | 325785297/0 | 1 | Support | |
| 9 | 125943009/0 | 2 | Screw | |
| 10 | 325735515/0 | 1 | Steering Shaft | |
| 11 | 125943009/0 | 2 | Screw | |
| 12 | 112793701/0 | 1 | Screw | |
| 13 | 125040636/1 | 1 | Bush | |
| 14 | 125601579/0 | 1 | Pulley | |
| 15 | 382004620/0 | 1 | Wire | |
| 16 | 112523060/0 | 1 | Washer | |
| 17 | 112293201/0 | 1 | Nut | |
| 21 | 382318253/0 | 1 | Axle | |
| 22 | 112735599/0 | 4 | Screw | |
| 23 | 325547231/0 | 2 | Plate | |
| 24 | 112155000/0 | 1 | Nut | |
| 25 | 112521390/0 | 2 | Washer | |
| 26 | 325670011/0 | 2 | Antifriction Washer | |
| 27 | 382000569/1 | 1 | Connecting Rod | |
| 28 | 112521350/0 | 1 | Washer | |
| 29 | 382318237/0 | 1 | Axle | |
| 30 | 112604899/0 | 1 | Crown Fastener | |
| 31 | 325547231/0 | 1 | Plate | |
| 32 | 112735599/0 | 2 | Screw | |
| 34 | 325670008/1 | 3 | Washer | |
| 35 | 125510107/1 | 3 | Pin | |
| 36 | 112156602/0 | 3 | Nut | |
| 37 | 112295200/0 | 3 | Hexagonal Nut | |
| 38 | 125840012/0 | 3 | Tie Rod | |
| 39 | 325670008/1 | 3 | Washer | |
| 41 | 124487998/0 | 3 | Cotter Pin | |
| 43 | 112156602/0 | 3 | Nut | |
| 44 | 325670008/1 | 6 | Washer | |



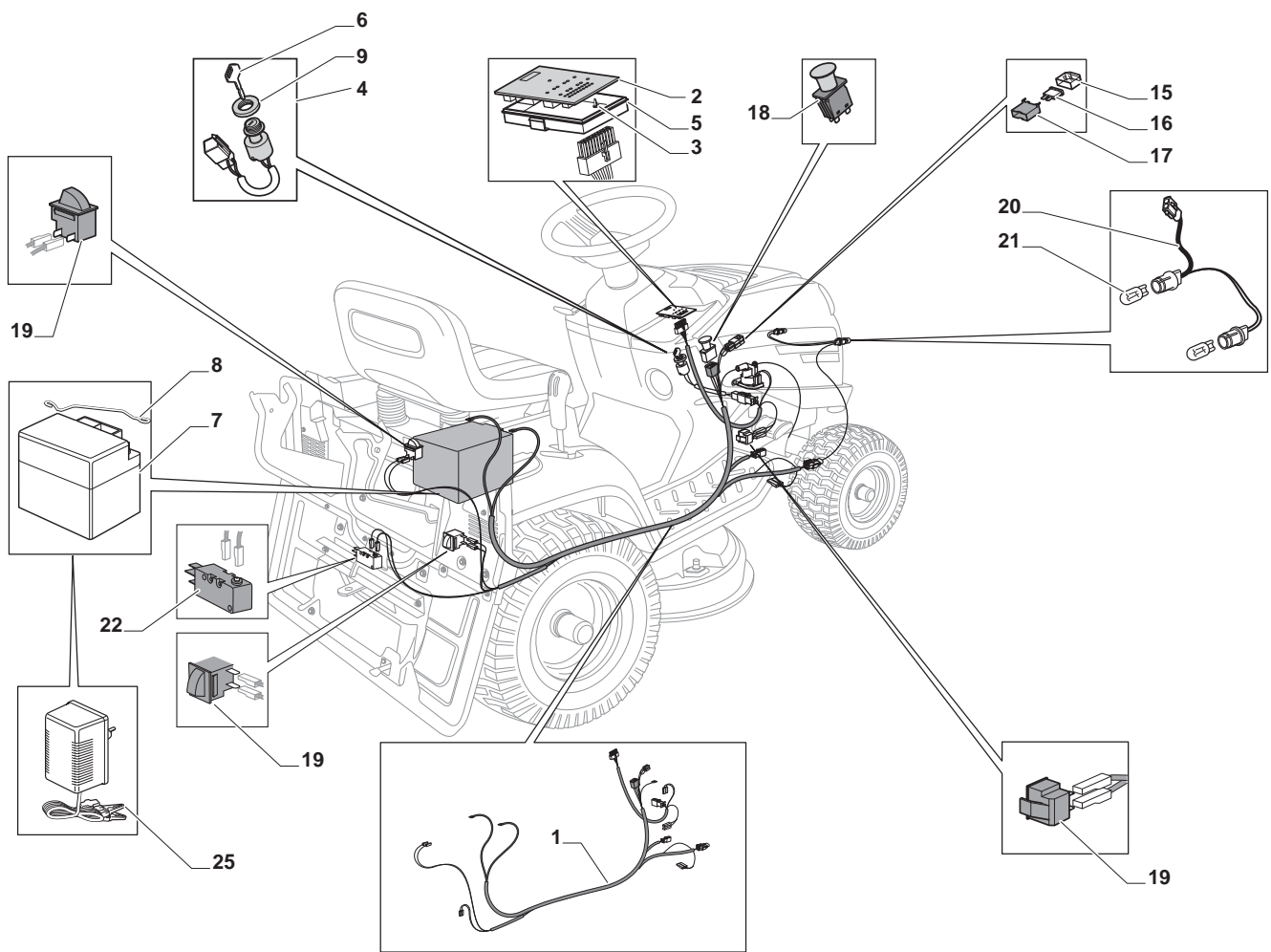
| Cutting Deck | | | | |
|--------------|-------------|------|-----------------------|-------|
| POS | CODE | Q.TY | DESCRIPTION | NOTES |
| 1 | 382564114/0 | 1 | Cutting Plate Black | |
| 2 | 325033086/0 | 2 | Water Hose Connection | |
| 3 | 119035000/0 | 2 | O.R. Ring | |
| 4R | 382207205/0 | 1 | Flange Assy | |
| 4L | 382207206/0 | 1 | Flange Assy | |
| 5L | 125020804/0 | 1 | Shaft | |
| 5R | 125020805/0 | 1 | Shaft | |
| 6 | 119216047/0 | 4 | Bearing | |
| 7 | 325160501/0 | 2 | Dust Cover Disc | |
| 8 | 112609260/0 | 2 | Seeger | |
| 11 | 135061508/0 | 1 | Belt | |
| 12 | 125601585/1 | 2 | Pulley | |
| 13 | 112793102/0 | 2 | Screw | |
| 14 | 112540260/0 | 2 | Grower | |
| 15 | 125670007/0 | 2 | Washer | |
| 16 | 112139480/0 | 2 | Feather | |
| 17 | 112818700/0 | 6 | Screw | |
| 18 | 112154210/0 | 6 | Self-Locking Nut | |
| 21 | 112691400/0 | 1 | Screw | |
| 22 | 112524010/0 | 1 | Washer | |
| 23 | 112610800/0 | 1 | Snap Ring | |
| 24 | 119216048/0 | 1 | Bearing | |
| 25 | 125601595/0 | 1 | Pulley | |
| 26 | 125160052/0 | 1 | Spacer | |
| 27 | 325318289/0 | 1 | Lever | |
| 28 | 112293201/0 | 1 | Nut | |
| 29 | 112155020/0 | 1 | Self-Locking Nut | |
| 30 | 125670022/0 | 1 | Washer | |
| 31 | 125040635/0 | 1 | Bushing | |
| 32 | 382004618/0 | 1 | Wire | |
| 33 | 125160049/0 | 1 | Spacer | |
| 34 | 112523080/0 | 1 | Washer | |
| 35 | 112156602/0 | 1 | Nut | |
| 36 | 118399069/0 | 1 | Clutch Assy | |
| 37 | 112543000/0 | 1 | Washer | |
| 38 | 112737320/0 | 1 | Screw | |
| 39 | 125430277/0 | 1 | Spring | |
| 41 | 112691115/0 | 2 | Screw | |
| 42 | 112523060/0 | 2 | Washer | |
| 43 | 325601599/0 | 2 | Pulley | |
| 44 | 125160082/0 | 2 | Spacer | |
| 45 | 112155000/0 | 2 | Nut | |
| 51 | 382000565/0 | 2 | Equalizer Rod | |
| 52 | 325670008/1 | 8 | Washer | |
| 53 | 112156602/0 | 4 | Nut | |
| 61L | 112735694/0 | 1 | Screw | |
| 61R | 112735695/1 | 1 | Screw | |
| 62 | 112523080/0 | 2 | Washer | |
| 63 | 122160400/0 | 2 | Elastic Disk | |
| 64R | 182004358/0 | 1 | Right Blade, Winged | |
| 64L | 182004359/0 | 1 | Left Blade, Winged | |
| 65 | 125463200/0 | 2 | Blade Hub | |
| 66 | 112139100/0 | 2 | Key | |
| 71R | 182004360/0 | 1 | Right Mulching Blade | |
| 71L | 182004361/0 | 1 | Left Mulching Blade | |
| 75 | 112791213/1 | 3 | Screw | |
| 76 | 325140108/0 | 1 | Deflector | |
| 77 | 112154510/0 | 4 | Nut | |
| 78 | 325785418/0 | 1 | Support | |
| 79 | 112523040/0 | 4 | Washer | |
| 80 | 112790781/0 | 1 | Screw | |



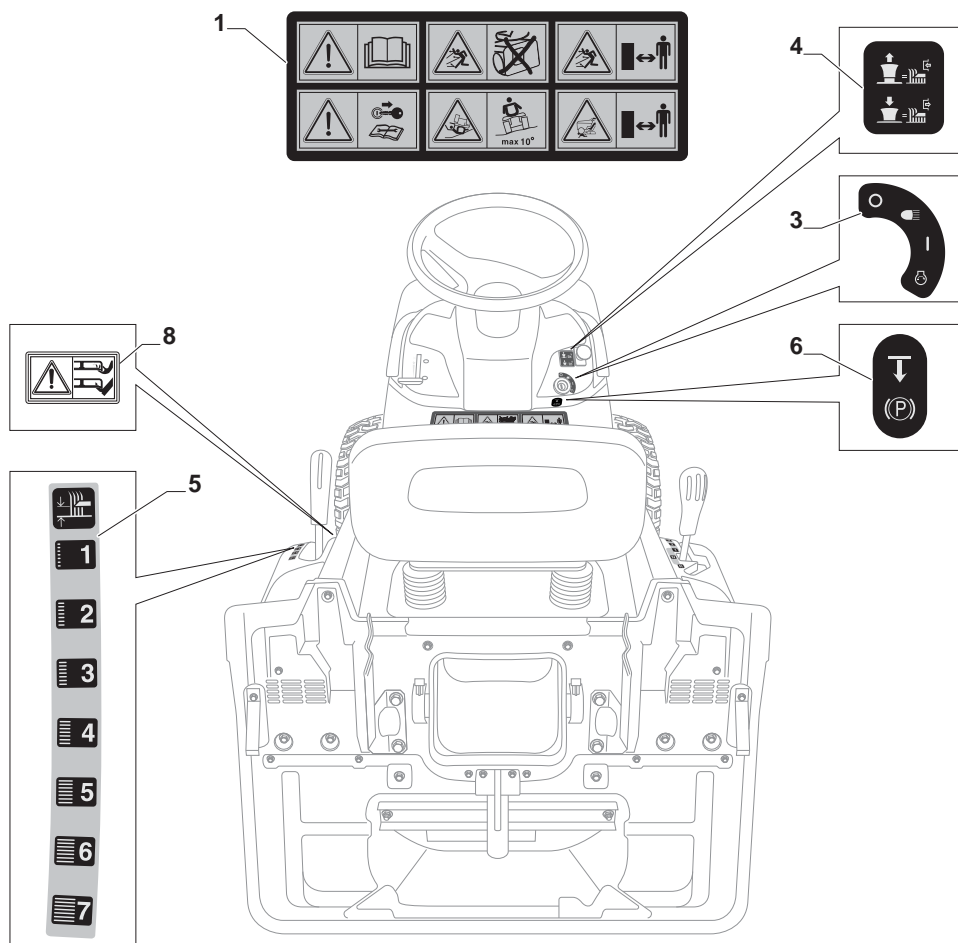
| Guards | | | | |
|--------|-------------|------|----------------|-------|
| POS | CODE | Q.TY | DESCRIPTION | NOTES |
| 1 | 325774499/0 | 2 | Clamp | |
| 2 | 325108056/0 | 1 | Conveyor | |
| 3 | 325108057/0 | 1 | Conveyor | |
| 4 | 112792425/0 | 2 | Screw | |
| 5 | 112521330/0 | 2 | Washer | |
| 6 | 125160071/0 | 2 | Spacer | |
| 7 | 112154510/0 | 2 | Nut | |
| 8 | 325108064/0 | 1 | Conveyor | |
| 9 | 325108065/0 | 1 | Conveyor | |
| 11 | 325774527/0 | 1 | Clamp | |
| 12 | 325060164/0 | 1 | Case | |
| 13 | 325774529/0 | 1 | Clamp | |
| 14 | 325060165/0 | 1 | Case | |
| 15 | 325060166/0 | 1 | Guard | |
| 16 | 112789008/0 | 2 | Screw | |
| 17 | 112437503/0 | 2 | Plate | |
| 18 | 112521320/0 | 2 | Washer | |
| 19 | 125943011/0 | 4 | Screw | |
| 20 | 112604899/0 | 4 | Crown Fastener | |



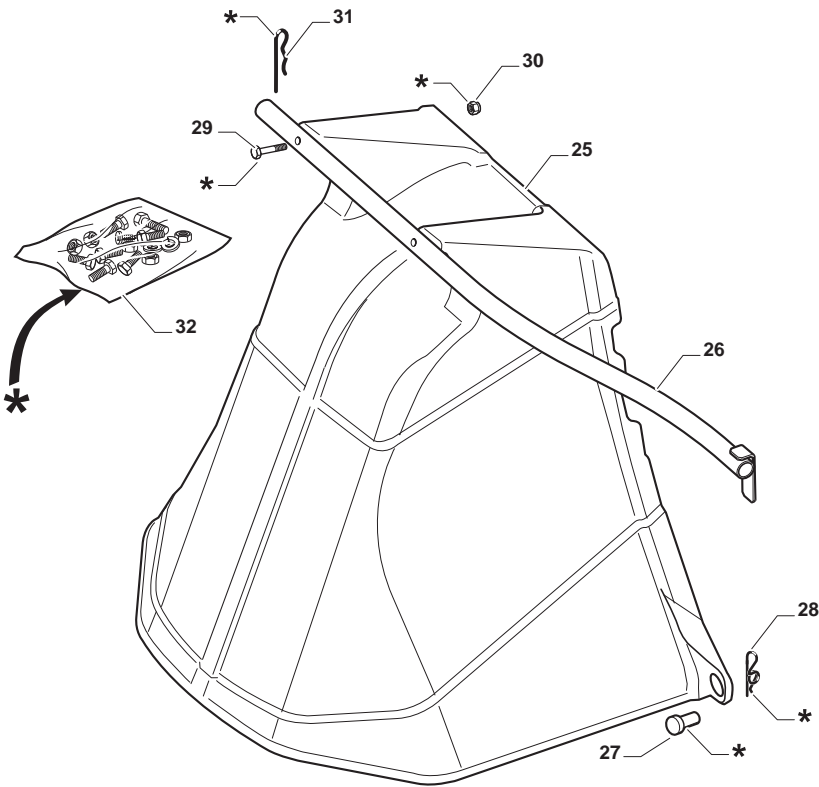
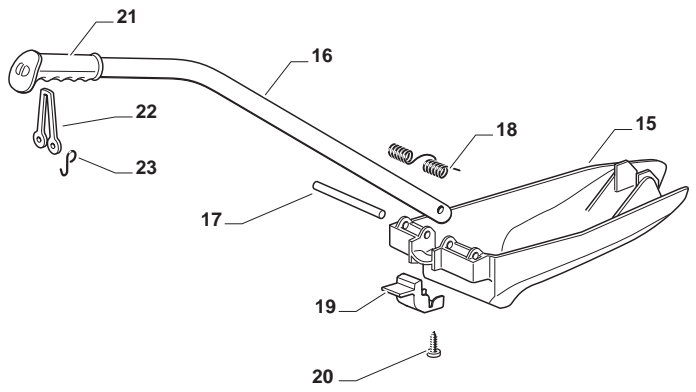
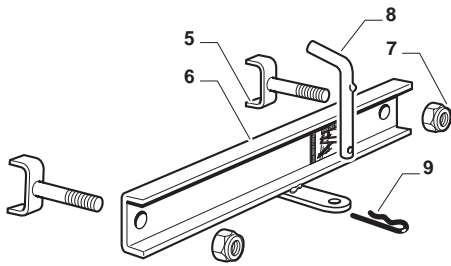
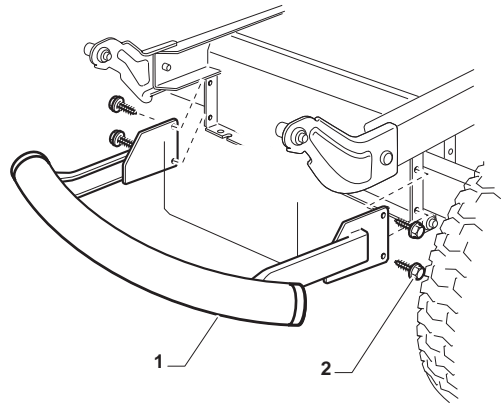
| Grasscatcher | | | | |
|---------------------|-------------|-------------|---------------------------|--------------|
| POS | CODE | Q.TY | DESCRIPTION | NOTES |
| 1 | 325785377/0 | 1 | Support | |
| 4 | 325785383/0 | 1 | Support | |
| 11 | 382800147/0 | 1 | Upper Frame | |
| 12 | 382800145/0 | 1 | Upper Frame | |
| 13 | 325650161/0 | 2 | Stiffening | |
| 14 | 382800143/0 | 1 | Front Frame | |
| 16 | 325110437/0 | 1 | Black Grass-Catcher Cover | |
| 19 | 325785417/0 | 2 | Support | |
| 20 | 325394538/0 | 1 | Handle | |
| 25 | 182105942/0 | 1 | Grasscatcher | |
| 31 | 382180122/1 | 1 | Screws Outfit | |



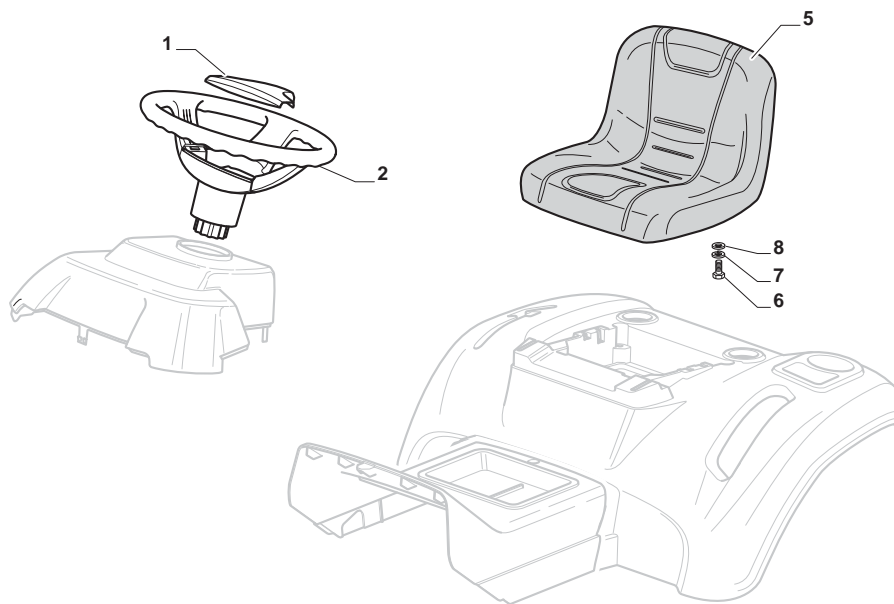
| Electrical Parts | | | | |
|------------------|-------------|------|--------------------------------|---------|
| POS | CODE | Q.TY | DESCRIPTION | NOTES |
| 1 | 182040183/0 | 1 | Cables Ass.Y | |
| 2 | 125722437/0 | 1 | Electronic Card | |
| 3 | 112735101/0 | 3 | Screw | |
| 4 | 118450075/0 | 1 | Starting Switch | |
| 5 | 325600090/0 | 1 | Card Protection | |
| 6 | 118210023/0 | 1 | Starting Key | |
| 7 | 118120002/1 | 1 | Combinat.Battery Fiamm12V/18Ah | |
| 8 | 125430265/1 | 1 | Spring | |
| 9 | 118400863/0 | 1 | Screwed Ring | |
| 15 | 133215000/0 | 2 | Cover | |
| 16 | 133340036/0 | 1 | Fuse 25 A | |
| 16 | 133340040/0 | 1 | Lamellar Fusible 10A | |
| 17 | 133500007/0 | 2 | Fuse Carrier | |
| 18 | 118450074/0 | 1 | Clutch Switch | |
| 19 | 119410613/0 | 3 | Micro Switch | |
| 20 | 182040186/0 | 1 | Cable | |
| 21 | 118459100/0 | 2 | Lamp For Lights | |
| 22 | 119410605/1 | 1 | Micro Switch | |
| 25 | 182180090/0 | 1 | Battery Charger | CE plug |



| Labels | | | | |
|---------------|-------------|-------------|--------------------|--------------|
| POS | CODE | Q.TY | DESCRIPTION | NOTES |
| 1 | 114361553/1 | 1 | Label | |
| 3 | 114363699/0 | 1 | Label | |
| 4 | 114361438/0 | 1 | Label | |
| 5 | 114363701/0 | 1 | Label | |
| 6 | 114363700/0 | 1 | Label | |
| 8 | 114356699/1 | 1 | Label | |



| Optionals On Request | | | | |
|----------------------|-------------|------|-----------------------|-------|
| POS | CODE | Q.TY | DESCRIPTION | NOTES |
| 1 | 382869038/0 | 1 | Muffler Protection | |
| 2 | 125943008/0 | 4 | Screw | |
| 5 | 382650211/0 | 2 | Stiffening | |
| 6 | 382033119/0 | 1 | Tow Bar Assy | |
| 7 | 112155000/0 | 2 | Nut | |
| 8 | 125510021/1 | 1 | Hitch Pin | |
| 9 | 124487999/0 | 1 | Spring Pin | |
| 15 | 325140104/1 | 1 | Deflector | |
| 16 | 325394021/0 | 1 | Handle | |
| 17 | 125510077/0 | 1 | Pin | |
| 18 | 125430245/0 | 1 | Spring | |
| 19 | 325547320/0 | 1 | Plate | |
| 20 | 112735403/0 | 1 | Screw | |
| 21 | 325280000/1 | 1 | Handgrip | |
| 22 | 125840011/1 | 1 | Tie Rod | |
| 23 | 125253004/0 | 2 | Mulch.Kit Fixing Hook | |
| 25 | 325600093/0 | 1 | Ejection Guard | |
| 26 | 382869044/0 | 1 | Support | |
| 27 | 125510022/1 | 2 | Pin | |
| 28 | 124487998/0 | 2 | Cotter Pin | |
| 29 | 112689515/0 | 2 | Screw | |
| 30 | 112154510/0 | 2 | Nut | |
| 31 | 124487999/0 | 1 | Spring Pin | |
| 32 | 382180028/0 | 1 | Screws Outfit | |



| Seat & Steering Wheel | | | | |
|----------------------------------|-------------|-------------|--------------------|--------------|
| POS | CODE | Q.TY | DESCRIPTION | NOTES |
| 1 | 325580503/0 | 1 | Steering Plate | |
| 2 | 325961219/0 | 1 | Steering Wheel | |
| 5 | 125722472/0 | 1 | Seat | |
| 6 | 112792611/0 | 4 | Screw | |
| 7 | 112540260/0 | 4 | Grower | |
| 8 | 112523060/0 | 4 | Washer | |