

# ALPINK

[www.alpinagarden.com](http://www.alpinagarden.com)

## > Illustrated Parts List

for:

> AT7 92 HCB

- Use GLOBAL GARDEN PRODUCT genuine spare parts specified in the parts list for repair and/or replacement.
- The contents described in the parts list may change due to improvement.
- The drawings of the spare part are only indicative and might not represent the part in question exactly.
- The indications "right" - "left" - "front" - "rear" refer to the position of the operator when using the machine.
- When placing orders of parts for repair and/or replacement, make sure that the illustrated parts list is the one applying to the machine's year of manufacture, as shown on the identification plate attached to the machine.

© Copyright 2013 Global Garden Products

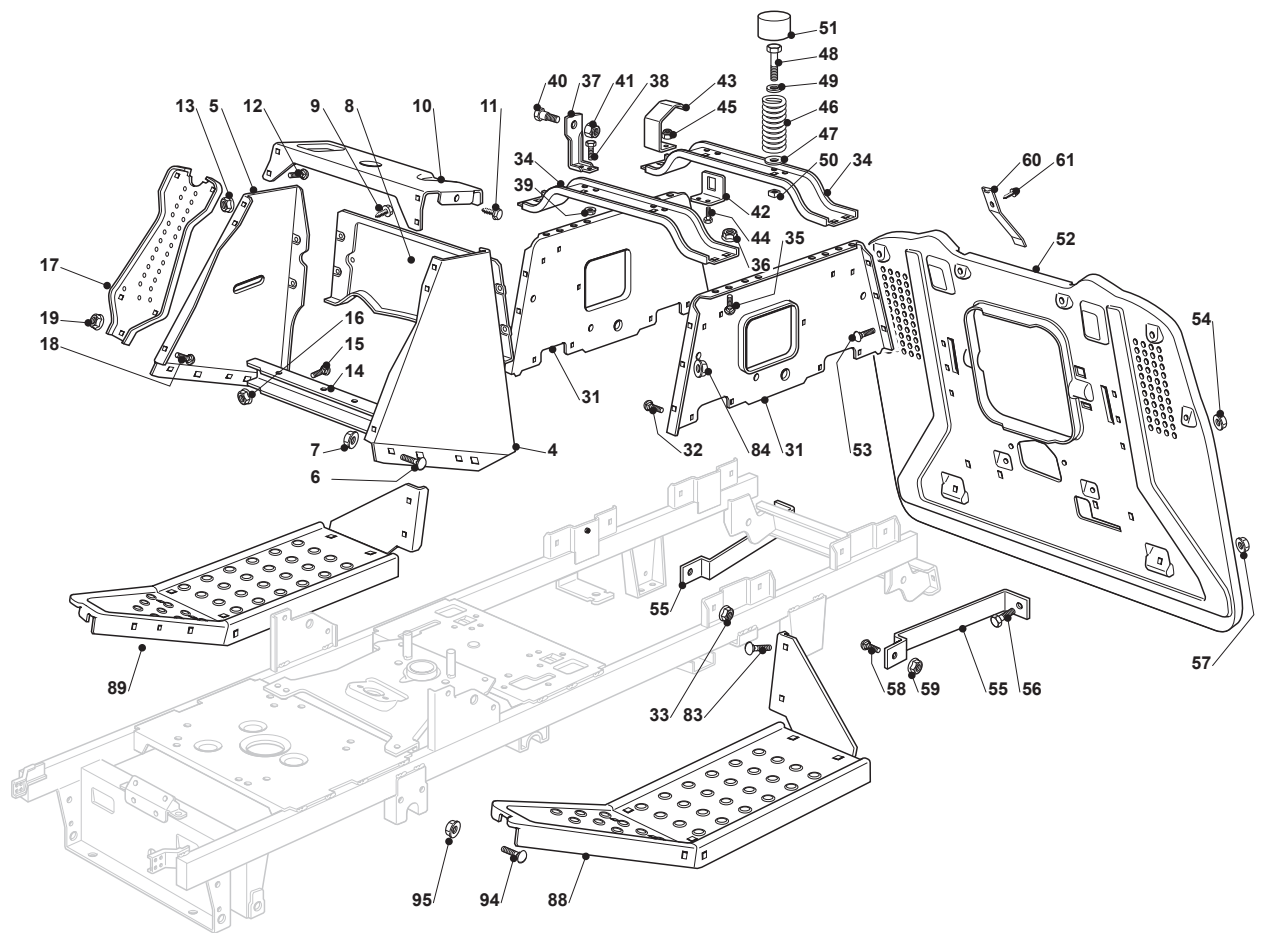
All content is subject to copyright by Global Garden Products and may not be reproduced in whole or in part by any means, electronic or otherwise, without prior written approval.

THIS INFORMATION IS NOT INTENDED FOR SALE OR RESALE, AND THIS NOTICE MUST REMAIN ON ALL COPIES.

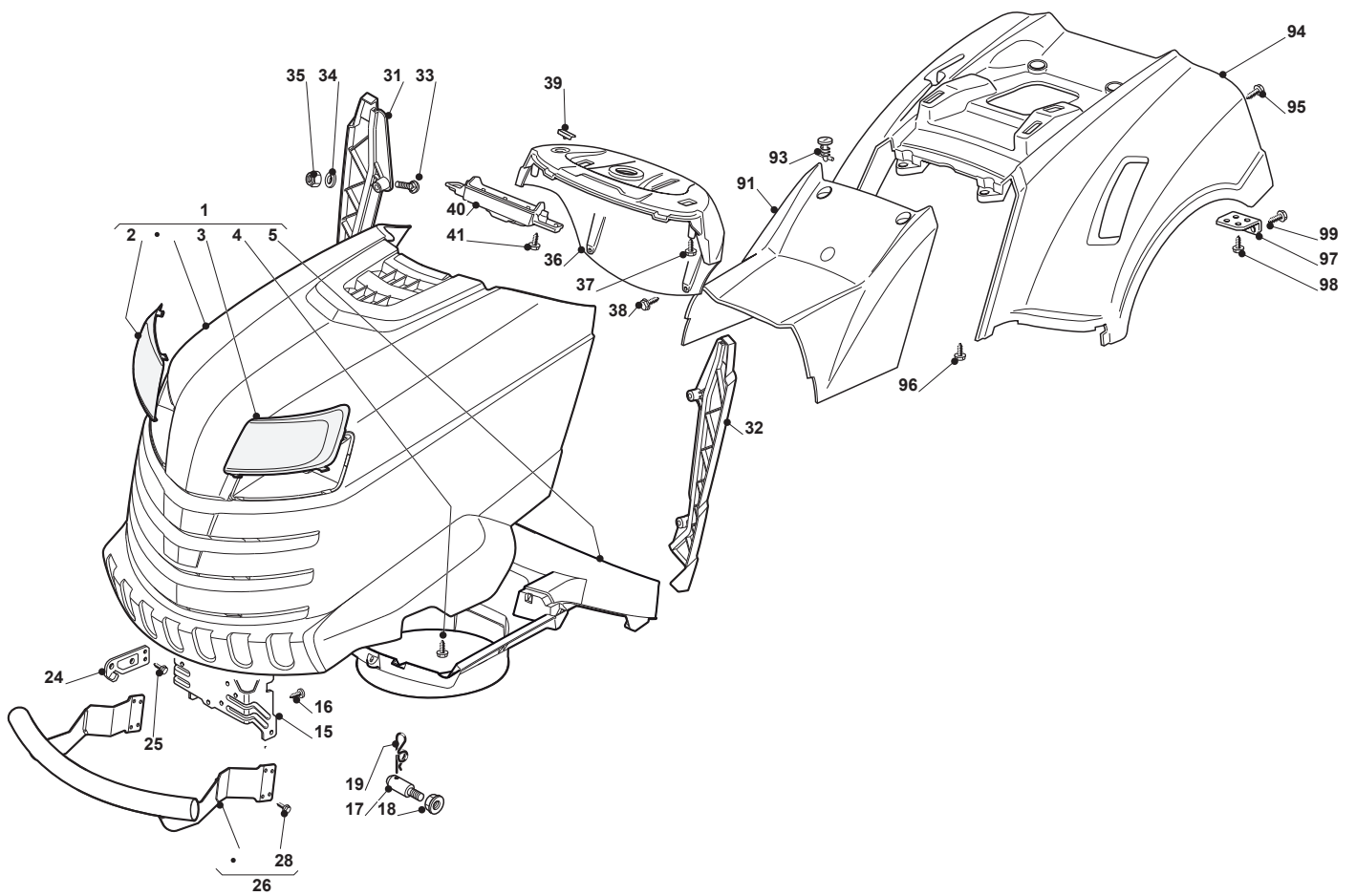
[www.ggp-group.com](http://www.ggp-group.com)



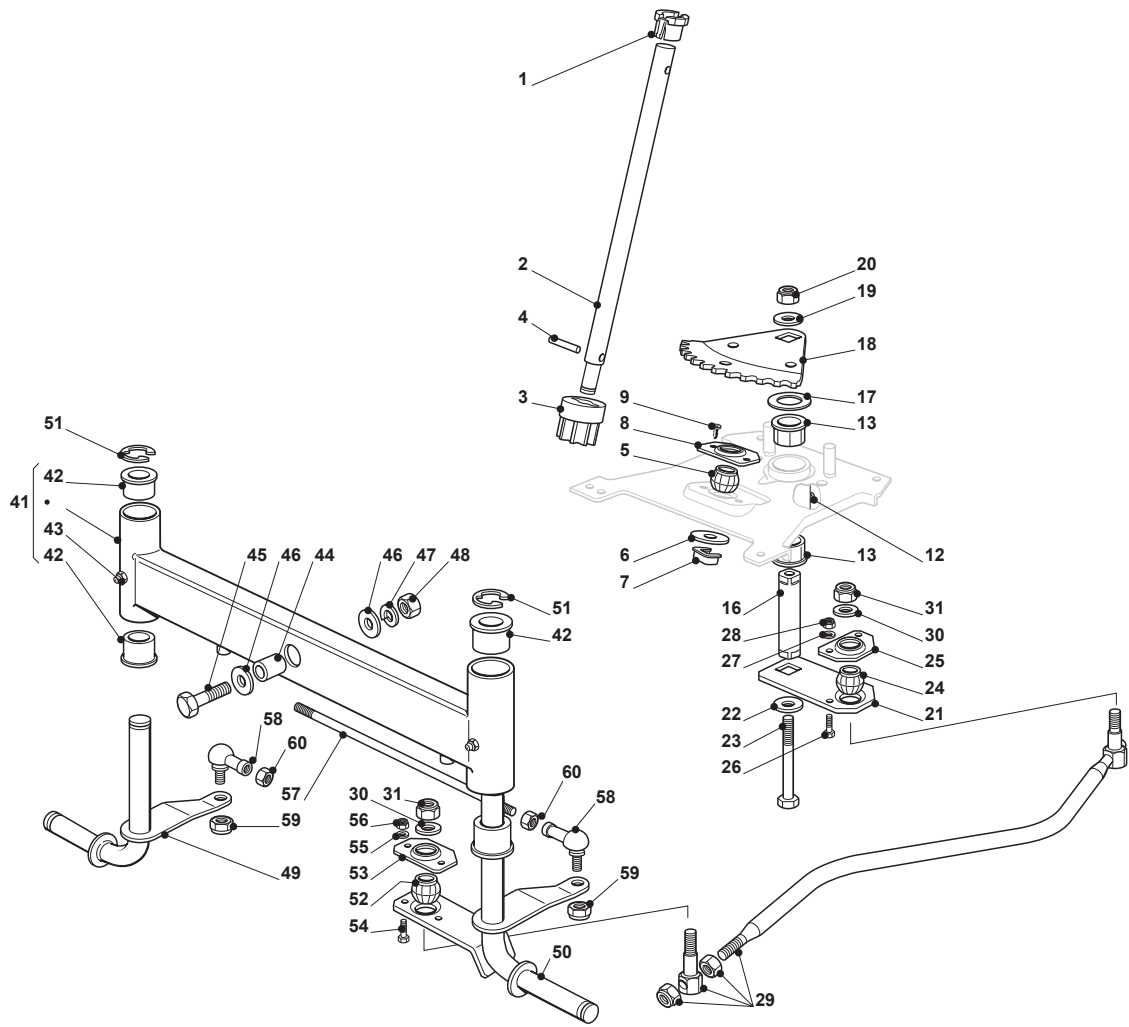
Engineered to amaze you



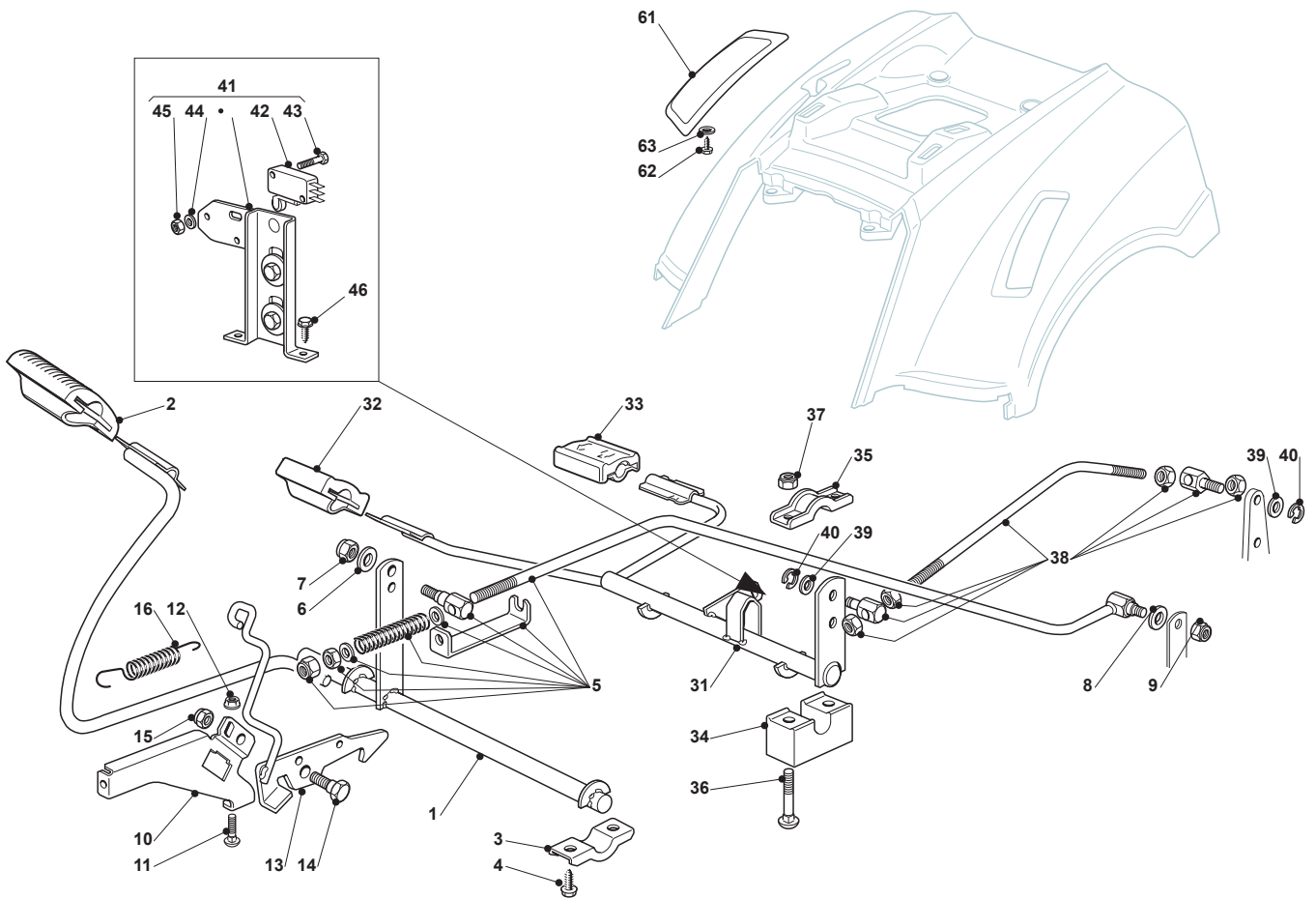
| Chassis |             |      |                           |       |
|---------|-------------|------|---------------------------|-------|
| POS     | CODE        | Q.TY | DESCRIPTION               | NOTES |
| 4       | 325785243/1 | 1    | Left Dashboard Support    |       |
| 5       | 325785245/0 | 1    | Right Dashboard Support   |       |
| 6       | 112818690/0 | 4    | Screw                     |       |
| 7       | 112293201/0 | 4    | Nut                       |       |
| 8       | 382785151/1 | 1    | Rear Dashboard Support    |       |
| 9       | 112735110/0 | 4    | Screw                     |       |
| 10      | 325785255/0 | 1    | Central Dashboard Support |       |
| 11      | 112735110/0 | 2    | Screw                     |       |
| 12      | 112815200/0 | 4    | Screw                     |       |
| 13      | 112292102/0 | 4    | Nut                       |       |
| 14      | 325785241/0 | 1    | Support                   |       |
| 15      | 112815200/0 | 2    | Screw                     |       |
| 16      | 112292102/0 | 2    | Nut                       |       |
| 17      | 382785153/1 | 2    | Front Dashboard Support   |       |
| 18      | 112815200/0 | 2    | Screw                     |       |
| 19      | 112292102/0 | 2    | Nut                       |       |
| 31      | 325785249/1 | 2    | Seat Support              |       |
| 32      | 112815200/0 | 8    | Screw                     |       |
| 33      | 112292102/0 | 8    | Nut                       |       |
| 34      | 325785257/1 | 2    | Seat Support              |       |
| 35      | 112818690/0 | 8    | Screw                     |       |
| 36      | 112293201/0 | 8    | Nut                       |       |
| 37      | 325755039/0 | 2    | Bracket                   |       |
| 38      | 112792611/0 | 4    | Screw                     |       |
| 39      | 112293201/0 | 4    | Nut                       |       |
| 40      | 122524970/2 | 2    | Fulcrum Pin               |       |
| 41      | 112155010/0 | 2    | Self-Locking Nut          |       |
| 42      | 325755043/0 | 1    | Bracket                   |       |
| 43      | 325430253/0 | 1    | Spring                    |       |
| 44      | 112789000/0 | 2    | Screw                     |       |
| 45      | 112154330/0 | 2    | Low Self-Locking Nut      |       |
| 46      | 125430257/1 | 2    | Spring                    |       |
| 47      | 112523070/0 | 2    | Washer                    |       |
| 48      | 112760515/0 | 2    | Screw                     |       |
| 49      | 122671653/0 | 2    | Washer                    |       |
| 50      | 112360425/0 | 2    | Nut                       |       |
| 51      | 325122000/2 | 2    | Spring                    |       |
| 52      | 382547041/1 | 1    | Plate                     |       |
| 53      | 112792611/0 | 6    | Screw                     |       |
| 54      | 112293201/0 | 6    | Nut                       |       |
| 55      | 325650119/0 | 2    | Plate Stiffening          |       |
| 56      | 112792611/0 | 2    | Screw                     |       |
| 57      | 112293201/0 | 2    | Nut                       |       |
| 58      | 112818690/0 | 2    | Screw                     |       |
| 59      | 112293201/0 | 2    | Nut                       |       |
| 60      | 125430276/0 | 1    | Spring                    |       |
| 61      | 112735110/0 | 1    | Screw                     |       |
| 83      | 112792611/0 | 4    | Screw                     |       |
| 84      | 112293201/0 | 4    | Nut                       |       |
| 88      | 382510079/0 | 1    | Left Footboard Support    |       |
| 89      | 382510077/0 | 1    | Right Footboard Support   |       |
| 94      | 112815200/0 | 4    | Screw                     |       |
| 95      | 112292102/0 | 4    | Nut                       |       |



| <b>Body</b> |             |             |                         |              |
|-------------|-------------|-------------|-------------------------|--------------|
| <b>POS</b>  | <b>CODE</b> | <b>Q.TY</b> | <b>DESCRIPTION</b>      | <b>NOTES</b> |
| 1           | 382076962/0 | 1           | Engine Hood             |              |
| 2           | 325410899/0 | 1           | Right Grill             |              |
| 3           | 325410900/0 | 1           | Left Grill              |              |
| 4           | 112735404/0 | 7           | Screw                   |              |
| 5           | 325108052/0 | 7           | Conveyor                |              |
| 15          | 325774301/2 | 1           | Engine Hood Support     |              |
| 16          | 112735403/0 | 5           | Screw                   |              |
| 17          | 125510079/1 | 2           | Pin                     |              |
| 18          | 112293201/0 | 2           | Nut                     |              |
| 19          | 124487998/0 | 2           | Cotter Pin              |              |
| 24          | 325547109/2 | 2           | Plate                   |              |
| 25          | 112731580/0 | 4           | Screw                   |              |
| 26          | 382869040/0 | 1           | Muffler Protection      |              |
| 28          | 112734995/0 | 4           | Screw                   |              |
| 31          | 325599014/0 | 1           | Right Dashboard Support |              |
| 32          | 325599015/0 | 1           | Left Dashboard Support  |              |
| 33          | 112815221/0 | 4           | Screw                   |              |
| 34          | 112521330/0 | 4           | Washer                  |              |
| 35          | 112154510/0 | 4           | Nut                     |              |
| 36          | 325120188/2 | 1           | Dashboard               |              |
| 37          | 112728440/0 | 2           | Screw                   |              |
| 38          | 112735402/0 | 2           | Screw                   |              |
| 39          | 125260000/0 | 2           | Grommet                 |              |
| 40          | 325600074/0 | 1           | Card Protection         |              |
| 41          | 112735402/0 | 2           | Screw                   |              |
| 91          | 325110420/0 | 1           | Cover, White            |              |
| 93          | 125580020/0 | 2           | Belt Guide              |              |
| 94          | 325110419/0 | 1           | White Wheels Cover      |              |
| 95          | 112735402/0 | 4           | Screw                   |              |
| 96          | 112735402/0 | 2           | Screw                   |              |
| 97          | 325755041/0 | 2           | Bracket                 |              |
| 98          | 112728686/0 | 4           | Screw                   |              |
| 99          | 112735110/0 | 2           | Screw                   |              |

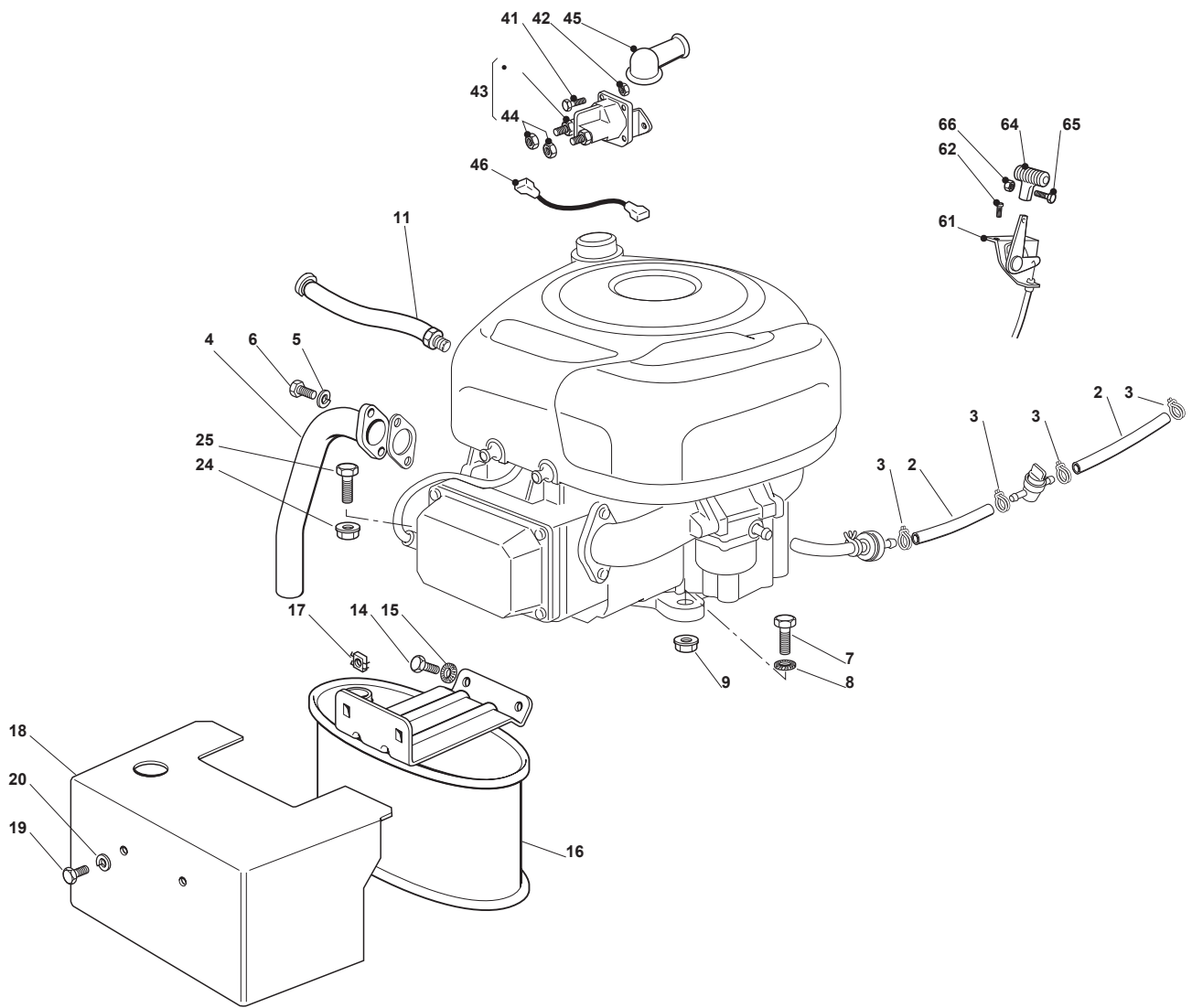


| Steering 15" |             |      |                                    |       |
|--------------|-------------|------|------------------------------------|-------|
| POS          | CODE        | Q.TY | DESCRIPTION                        | NOTES |
| 1            | 325038004/0 | 1    | Bush                               |       |
| 2            | 125520006/1 | 1    | Steering Column                    |       |
| 3            | 127570050/0 | 1    | Pinion                             |       |
| 4            | 112622650/0 | 1    | Pin                                |       |
| 5            | 325743000/0 | 1    | Joint Tc/Junior                    |       |
| 6            | 112521370/0 | 1    | Washer                             |       |
| 7            | 112436030/0 | 1    | Plate                              |       |
| 8            | 325785213/1 | 1    | Support                            |       |
| 9            | 112729601/1 | 2    | Screw                              |       |
| 12           | 112379511/0 | 1    | Grease Dispenser                   |       |
| 13           | 325040624/0 | 2    | Bushing                            |       |
| 16           | 125510092/0 | 1    | Pin                                |       |
| 17           | 125670019/0 | 1    | Washer                             |       |
| 18           | 325735513/0 | 1    | Steering Shaft                     |       |
| 19           | 112523080/0 | 1    | Washer                             |       |
| 20           | 112155020/0 | 1    | Self-Locking Nut                   |       |
| 21           | 325318205/0 | 1    | Lever                              |       |
| 22           | 112523080/0 | 1    | Washer                             |       |
| 23           | 112794985/0 | 1    | Screw                              |       |
| 24           | 325743000/0 | 1    | Joint Tc/Junior                    |       |
| 25           | 325785213/1 | 1    | Support                            |       |
| 26           | 112791213/1 | 2    | Screw                              |       |
| 27           | 112521330/0 | 2    | Washer                             |       |
| 28           | 112154510/0 | 2    | Nut                                |       |
| 29           | 382000539/1 | 1    | Steering Rod                       |       |
| 30           | 112523070/0 | 2    | Washer                             |       |
| 31           | 112155010/0 | 2    | Self-Locking Nut                   |       |
| 41           | 382034024/1 | 1    | Equalizer With Bush And Lubricator |       |
| 42           | 125034002/1 | 4    | Bush                               |       |
| 43           | 112379511/0 | 2    | Grease Dispenser                   |       |
| 44           | 125160016/0 | 1    | Equalizer Spacer                   |       |
| 45           | 112692695/0 | 1    | Screw                              |       |
| 46           | 112523100/0 | 2    | Washer                             |       |
| 47           | 112587100/0 | 1    | Grower                             |       |
| 48           | 112295300/0 | 1    | Hexagonal Nut                      |       |
| 49           | 382230363/0 | 1    | Right Stub Axle                    |       |
| 50           | 382230365/0 | 1    | Left Stub Axle                     |       |
| 51           | 112001000/0 | 2    | Benzing Ring                       |       |
| 52           | 325743000/0 | 1    | Joint Tc/Junior                    |       |
| 53           | 325785213/1 | 1    | Support                            |       |
| 54           | 112791213/1 | 2    | Screw                              |       |
| 55           | 112521330/0 | 2    | Washer                             |       |
| 56           | 112154510/0 | 2    | Nut                                |       |
| 57           | 125840023/0 | 1    | Tie Rod                            |       |
| 58           | 122746609/0 | 2    | Joint                              |       |
| 59           | 112156602/0 | 2    | Nut                                |       |
| 60           | 112295201/0 | 2    | Nut                                |       |

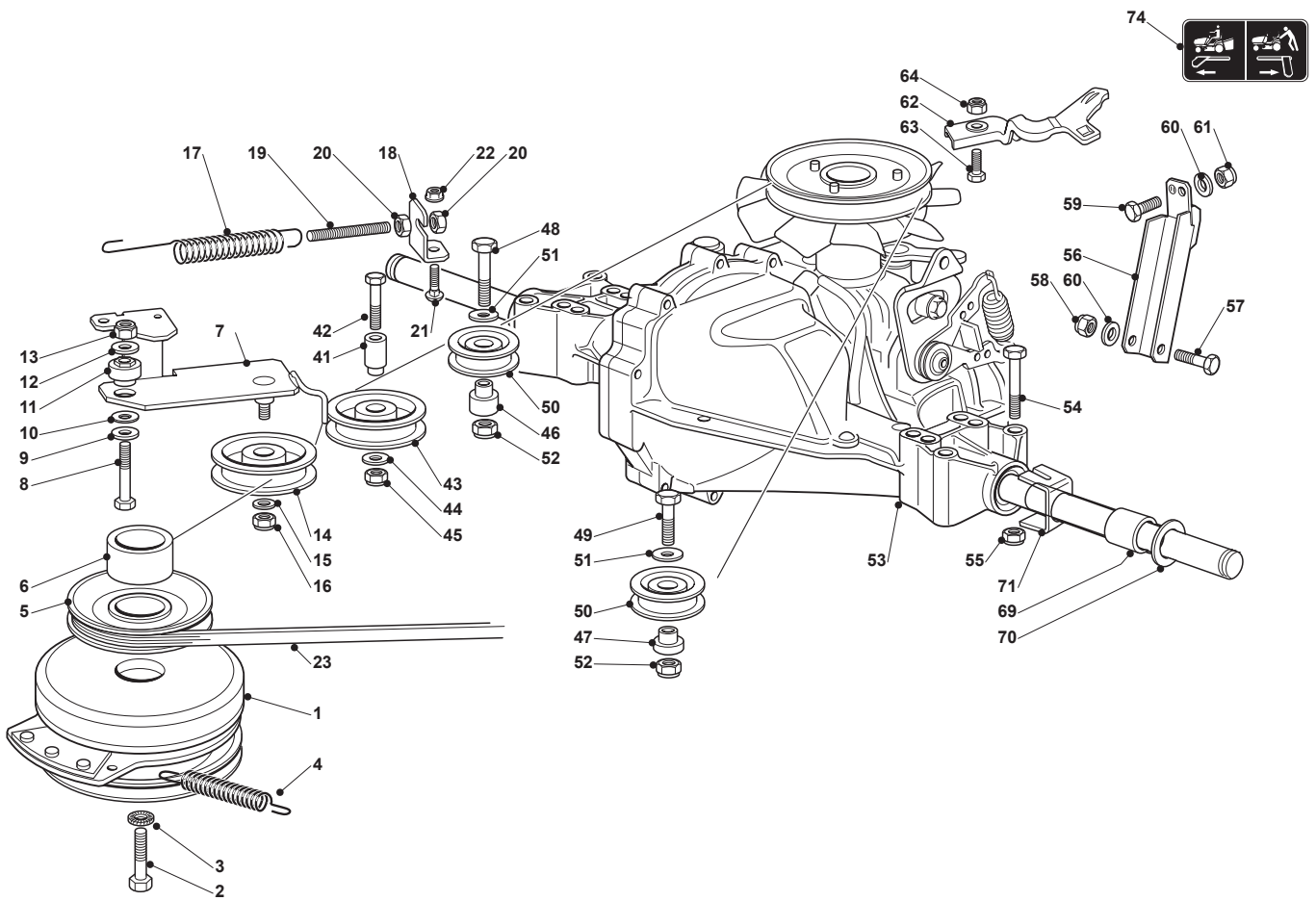




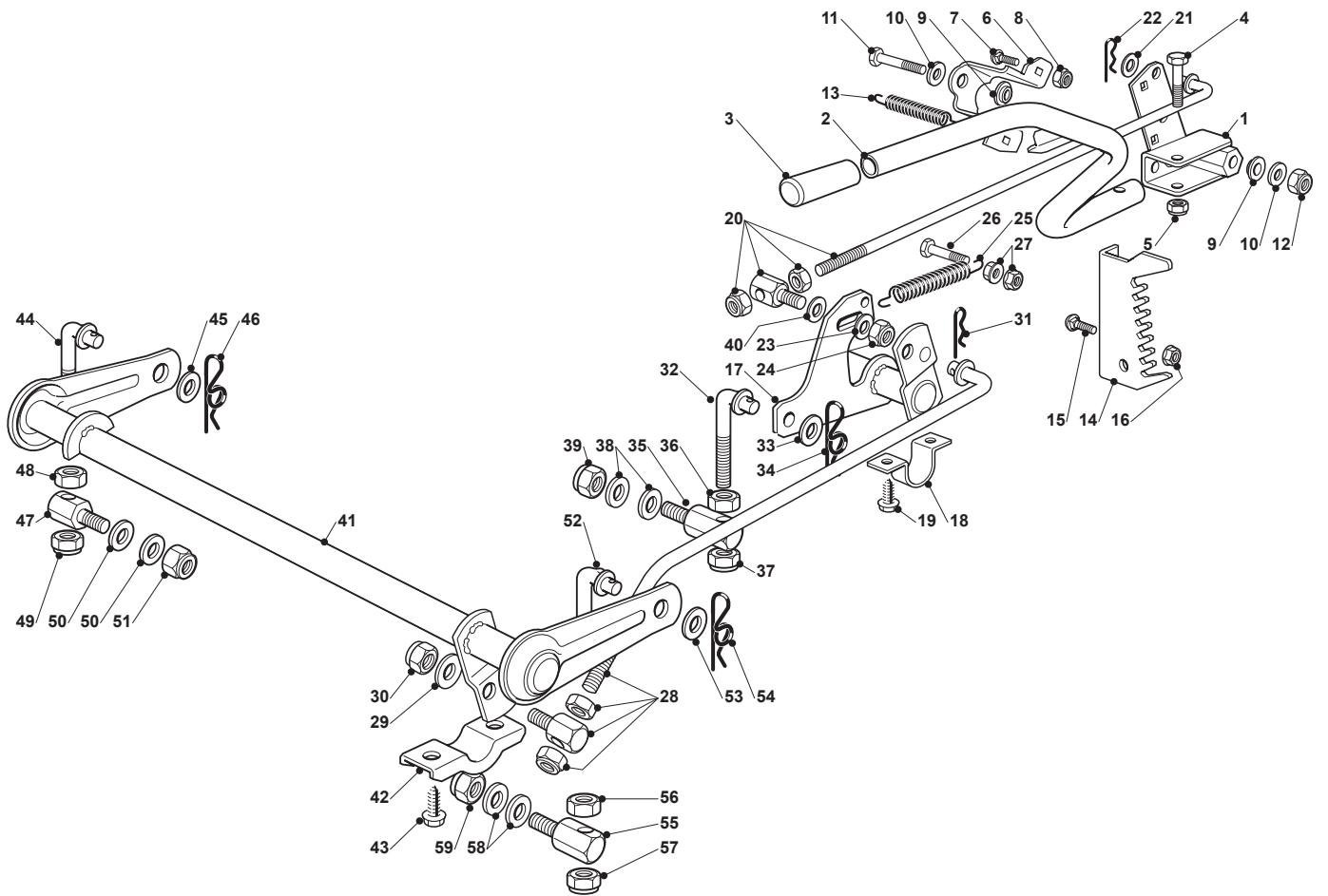
| Brake And Gearbox Controls Hydro-Gear |             |      |                   |       |
|---------------------------------------|-------------|------|-------------------|-------|
| POS                                   | CODE        | Q.TY | DESCRIPTION       | NOTES |
| 1                                     | 382500029/1 | 1    | Pedal             |       |
| 2                                     | 325110416/0 | 1    | Clamp Cover       |       |
| 3                                     | 327546015/1 | 2    | Plate             |       |
| 4                                     | 112729601/1 | 4    | Screw             |       |
| 5                                     | 382000627/0 | 1    | Rod               |       |
| 6                                     | 112521350/0 | 1    | Washer            |       |
| 7                                     | 112155000/0 | 1    | Nut               |       |
| 8                                     | 112521350/0 | 1    | Washer            |       |
| 9                                     | 112155000/0 | 1    | Nut               |       |
| 10                                    | 325785261/0 | 1    | Support           |       |
| 11                                    | 112815200/0 | 2    | Screw             |       |
| 12                                    | 112292102/0 | 2    | Nut               |       |
| 13                                    | 382000531/0 | 1    | Rod               |       |
| 14                                    | 122524970/2 | 1    | Fulcrum Pin       |       |
| 15                                    | 112155000/0 | 1    | Nut               |       |
| 16                                    | 125430213/0 | 1    | Spring            |       |
| 31                                    | 382000605/0 | 1    | Drive Pedal       |       |
| 32                                    | 325110417/0 | 1    | Clamp Cover Front |       |
| 33                                    | 325110418/0 | 1    | Clamp Cover Rear  |       |
| 34                                    | 325785185/0 | 2    | Support           |       |
| 35                                    | 327546015/1 | 2    | Plate             |       |
| 36                                    | 112815245/0 | 4    | Screw             |       |
| 37                                    | 112154510/0 | 4    | Nut               |       |
| 38                                    | 382000578/0 | 1    | Rod               |       |
| 39                                    | 112523040/0 | 2    | Washer            |       |
| 40                                    | 112000940/0 | 2    | Benzing Ring      |       |
| 41                                    | 382394853/0 | 1    | Switch Ass.Y      |       |
| 42                                    | 119410609/0 | 1    | Micro Switch      |       |
| 43                                    | 112735602/0 | 2    | Screw             |       |
| 44                                    | 112581100/0 | 2    | Grower            |       |
| 45                                    | 112290791/0 | 2    | Hexagonal Nut     |       |
| 46                                    | 112735110/0 | 2    | Screw             |       |
| 61                                    | 325207171/0 | 1    | Cover (Hydro)     |       |
| 62                                    | 112735402/0 | 2    | Screw             |       |
| 63                                    | 112523050/0 | 4    | Washer            |       |



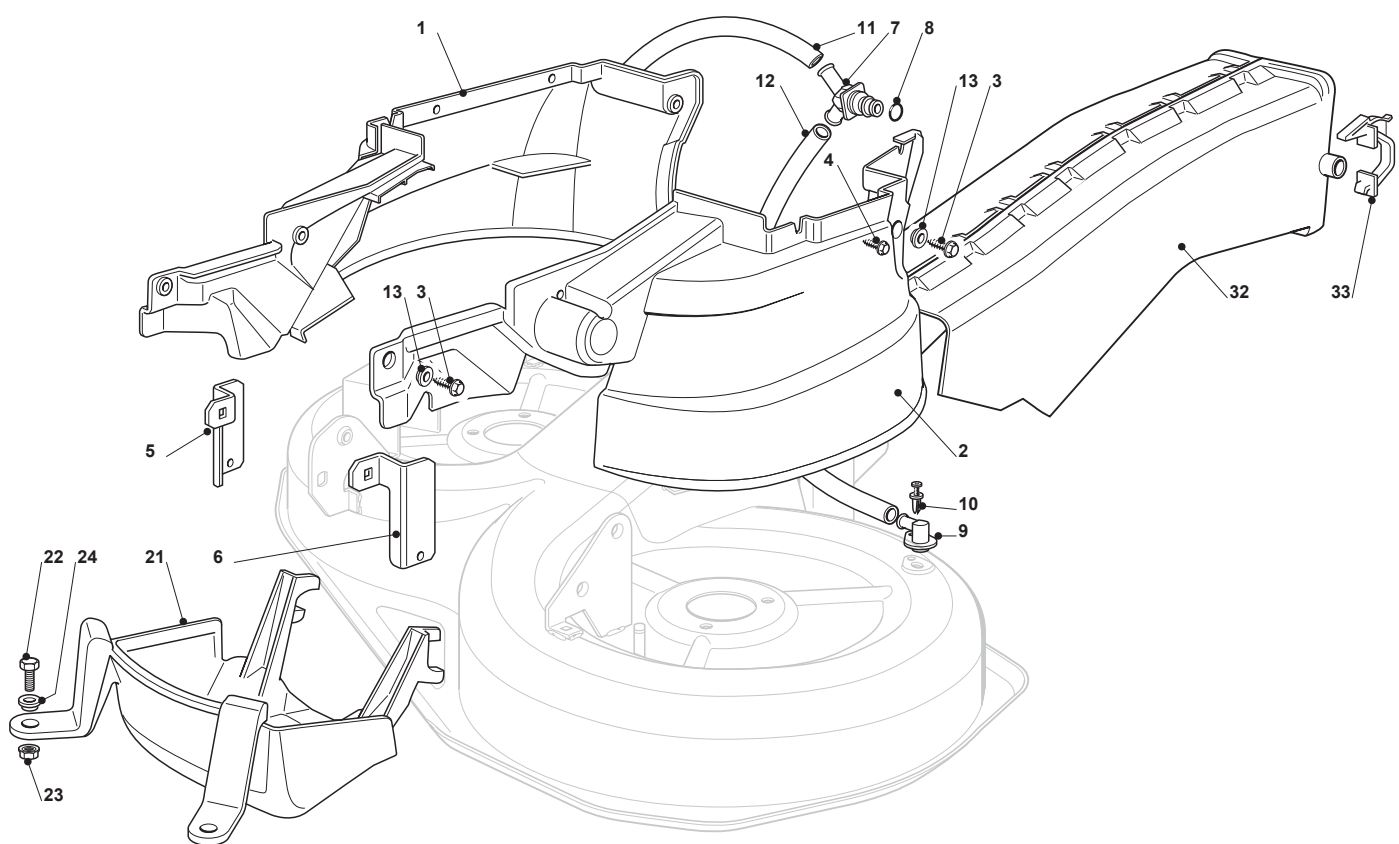
| Engine B&S 11,5-12,5-13,5 |              |      |                    |       |
|---------------------------|--------------|------|--------------------|-------|
| POS                       | CODE         | Q.TY | DESCRIPTION        | NOTES |
| 2                         | 325869057/0  | 1    | Connecting Tube    |       |
| 3                         | 118375051/1  | 4    | Fair Led           |       |
| 4                         | 118738224/0  | 1    | Exhaust Conn. Tube |       |
| 5                         | 112583500/0  | 2    | Grower             |       |
| 6                         | 112735530/0  | 2    | Screw              |       |
| 7                         | 112691115/0  | 1    | Screw              |       |
| 8                         | 112540260/0  | 1    | Grower             |       |
| 9                         | 112154210/0  | 1    | Self-Locking Nut   |       |
| 11                        | 1134-5827-01 | 1    | Oil Drain Assy     |       |
| 14                        | 112793102/0  | 2    | Screw              |       |
| 15                        | 112540260/0  | 2    | Grower             |       |
| 16                        | 182750010/0  | 1    | Muffler            |       |
| 17                        | 112360425/0  | 2    | Nut                |       |
| 18                        | 382598009/2  | 1    | Muffler Protection |       |
| 19                        | 112792611/0  | 2    | Screw              |       |
| 20                        | 112583500/0  | 2    | Grower             |       |
| 24                        | 112154210/0  | 3    | Self-Locking Nut   |       |
| 25                        | 112691100/0  | 3    | Screw              |       |
| 41                        | 112791213/1  | 2    | Screw              |       |
| 42                        | 112292102/0  | 2    | Nut                |       |
| 43                        | 118736110/0  | 1    | Starter Relay      |       |
| 44                        | 112360352/0  | 2    | Nut                |       |
| 45                        | 118564861/1  | 1    | Protection         |       |
| 46                        | 125065017/0  | 1    | Cable              |       |
| 61                        | 182000200/1  | 1    | Throttle Cable     |       |
| 62                        | 125943012/0  | 2    | Screw              |       |
| 64                        | 325592000/0  | 1    | Knob               |       |
| 65                        | 112726388/0  | 1    | Screw              |       |
| 66                        | 112290800/0  | 1    | Hexagonal Nut      |       |



| Transmission Hydro-Gear |             |      |                     |       |
|-------------------------|-------------|------|---------------------|-------|
| POS                     | CODE        | Q.TY | DESCRIPTION         | NOTES |
| 1                       | 118399063/0 | 1    | Clutch Assy         |       |
| 2                       | 112737320/0 | 1    | Screw               |       |
| 3                       | 112543000/0 | 1    | Washer              |       |
| 4                       | 122430216/0 | 1    | Tension Spring      |       |
| 5                       | 125601577/0 | 1    | Pulley              |       |
| 6                       | 125160021/0 | 1    | Spacer              |       |
| 7                       | 382318217/0 | 1    | Lever               |       |
| 8                       | 112691115/0 | 1    | Screw               |       |
| 9                       | 112523060/0 | 1    | Washer              |       |
| 10                      | 327670055/0 | 1    | Antifriction Washer |       |
| 11                      | 125510087/0 | 1    | Pin                 |       |
| 12                      | 112523060/0 | 1    | Washer              |       |
| 13                      | 112155000/0 | 1    | Nut                 |       |
| 14                      | 125601554/0 | 1    | Pulley              |       |
| 15                      | 112523060/0 | 1    | Washer              |       |
| 16                      | 112155000/0 | 1    | Nut                 |       |
| 17                      | 125430260/0 | 1    | Spring              |       |
| 18                      | 325755049/0 | 1    | Bracket             |       |
| 19                      | 125840005/0 | 1    | Tie Rod             |       |
| 20                      | 112293200/0 | 2    | Hexagonal Nut       |       |
| 21                      | 112818690/0 | 1    | Screw               |       |
| 22                      | 112293201/0 | 1    | Nut                 |       |
| 23                      | 135062013/0 | 1    | Belt                |       |
| 41                      | 125510100/0 | 1    | Pin                 |       |
| 42                      | 112691800/0 | 1    | Screw               |       |
| 43                      | 125601555/0 | 1    | Pulley              |       |
| 44                      | 112523060/0 | 1    | Washer              |       |
| 45                      | 112155000/0 | 1    | Nut                 |       |
| 46                      | 125160024/2 | 1    | Right Spacer        |       |
| 47                      | 125160030/2 | 1    | Left Spacer         |       |
| 48                      | 112691400/0 | 1    | Screw               |       |
| 49                      | 112691115/0 | 1    | Screw               |       |
| 50                      | 125601588/0 | 2    | Pulley              |       |
| 51                      | 122671653/0 | 2    | Washer              |       |
| 52                      | 112155000/0 | 2    | Nut                 |       |
| 53                      | 118400919/2 | 1    | Rear Axle           |       |
| 54                      | 112691600/0 | 4    | Screw               |       |
| 55                      | 112154210/0 | 4    | Self-Locking Nut    |       |
| 56                      | 382785199/0 | 1    | Support             |       |
| 57                      | 112691700/0 | 1    | Screw               |       |
| 58                      | 112155000/0 | 1    | Nut                 |       |
| 59                      | 112793701/0 | 1    | Screw               |       |
| 60                      | 112523060/0 | 2    | Washer              |       |
| 61                      | 112155000/0 | 1    | Nut                 |       |
| 62                      | 325318253/0 | 1    | Lever               |       |
| 63                      | 112791213/1 | 1    | Screw               |       |
| 64                      | 112154210/0 | 1    | Self-Locking Nut    |       |
| 69                      | 125160058/0 | 2    | Spacer              |       |
| 70                      | 125670005/1 | 2    | Washer              |       |
| 71                      | 325670025/0 | 2    | Washer              |       |
| 74                      | 114361451/0 | 1    | Label               |       |

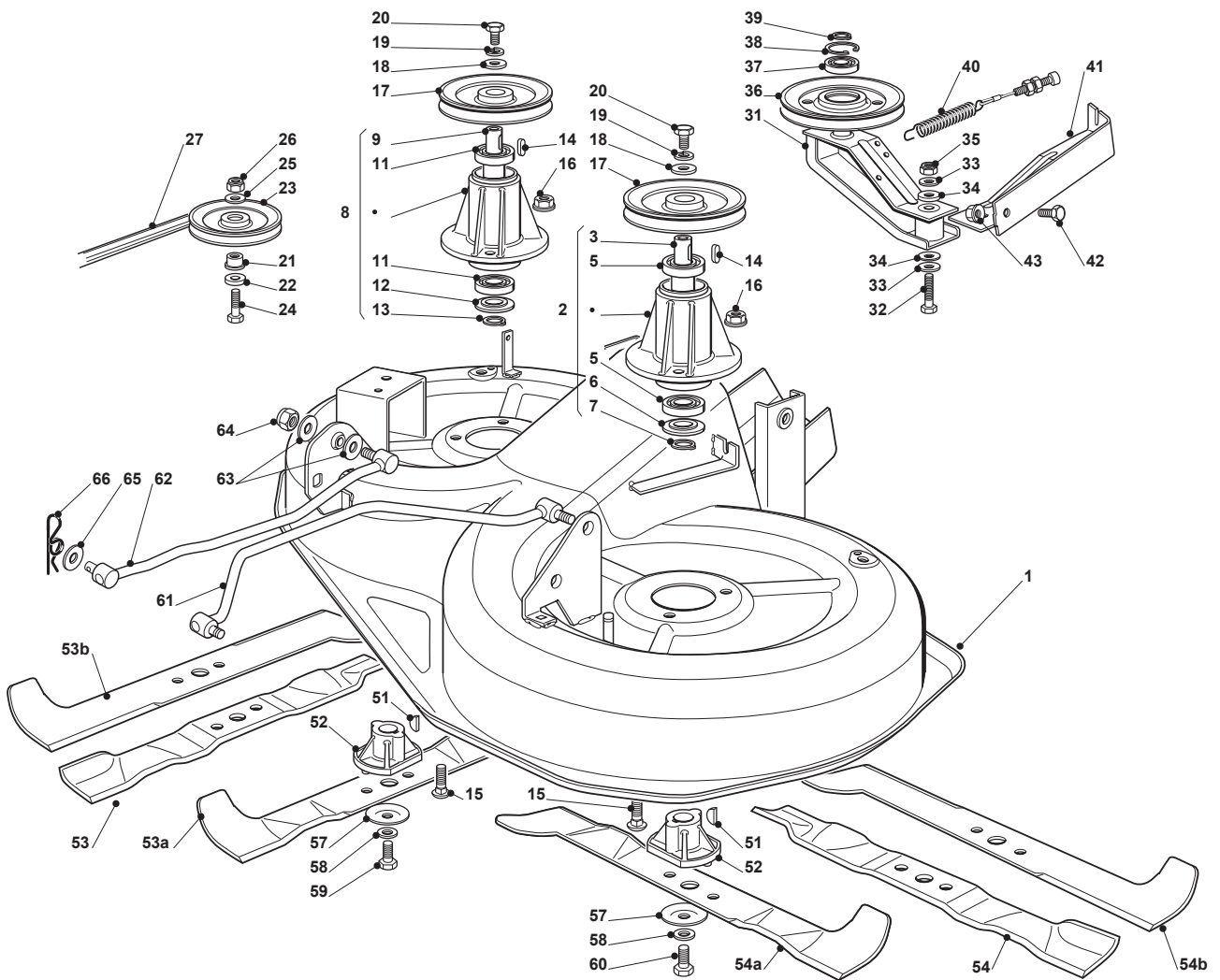


| Cutting Plate Lifting |             |      |                     |       |
|-----------------------|-------------|------|---------------------|-------|
| POS                   | CODE        | Q.TY | DESCRIPTION         | NOTES |
| 1                     | 382774249/0 | 1    | Clamp               |       |
| 2                     | 382318219/1 | 1    | Lever               |       |
| 3                     | 325394535/0 | 1    | Knob                |       |
| 4                     | 112674700/0 | 1    | Screw               |       |
| 5                     | 112154510/0 | 1    | Nut                 |       |
| 6                     | 325650113/0 | 1    | Plate               |       |
| 7                     | 112818690/0 | 2    | Screw               |       |
| 8                     | 112155000/0 | 2    | Nut                 |       |
| 9                     | 122041980/0 | 2    | Bush                |       |
| 10                    | 112523060/0 | 2    | Washer              |       |
| 11                    | 112691600/0 | 1    | Screw               |       |
| 12                    | 112155000/0 | 1    | Nut                 |       |
| 13                    | 125430259/0 | 1    | Spring              |       |
| 14                    | 325735511/0 | 1    | Sector              |       |
| 15                    | 112818690/0 | 2    | Screw               |       |
| 16                    | 112293201/0 | 2    | Nut                 |       |
| 17                    | 382000387/0 | 1    | Axle                |       |
| 18                    | 325547041/1 | 2    | Plate               |       |
| 19                    | 112731580/0 | 4    | Screw               |       |
| 20                    | 382000618/0 | 1    | Rod                 |       |
| 21                    | 325670011/0 | 1    | Antifriction Washer |       |
| 22                    | 124487998/0 | 1    | Cotter Pin          |       |
| 23                    | 112523040/0 | 1    | Washer              |       |
| 24                    | 112154210/0 | 1    | Self-Locking Nut    |       |
| 25                    | 122446402/1 | 1    | Spring              |       |
| 26                    | 112792410/0 | 1    | Screw               |       |
| 27                    | 112292102/0 | 2    | Nut                 |       |
| 28                    | 382000537/0 | 1    | Connecting Rod      |       |
| 29                    | 325670008/1 | 2    | Washer              |       |
| 30                    | 112156602/0 | 1    | Nut                 |       |
| 31                    | 124487998/0 | 1    | Cotter Pin          |       |
| 32                    | 125840025/0 | 1    | Tie Rod             |       |
| 33                    | 325670008/1 | 1    | Washer              |       |
| 34                    | 124487998/0 | 1    | Cotter Pin          |       |
| 35                    | 125510090/0 | 1    | Pin                 |       |
| 36                    | 112295200/0 | 1    | Hexagonal Nut       |       |
| 37                    | 112156602/0 | 1    | Nut                 |       |
| 38                    | 325670008/1 | 2    | Washer              |       |
| 39                    | 112156602/0 | 1    | Nut                 |       |
| 40                    | 112521360/0 | 2    | Washer              |       |
| 41                    | 382000385/0 | 1    | Axle                |       |
| 42                    | 327546015/1 | 2    | Plate               |       |
| 43                    | 112731350/0 | 4    | Screw               |       |
| 44                    | 125840024/0 | 1    | Tie Rod             |       |
| 45                    | 325670008/1 | 1    | Washer              |       |
| 46                    | 124487998/0 | 1    | Cotter Pin          |       |
| 47                    | 125510098/0 | 1    | Pin                 |       |
| 48                    | 112295200/0 | 1    | Hexagonal Nut       |       |
| 49                    | 112156602/0 | 1    | Nut                 |       |
| 50                    | 325670008/1 | 2    | Washer              |       |
| 51                    | 112156602/0 | 1    | Nut                 |       |
| 52                    | 125840025/0 | 1    | Tie Rod             |       |
| 53                    | 325670008/1 | 1    | Washer              |       |
| 54                    | 124487998/0 | 1    | Cotter Pin          |       |
| 55                    | 125510090/0 | 1    | Pin                 |       |
| 56                    | 112295200/0 | 1    | Hexagonal Nut       |       |
| 57                    | 112156602/0 | 1    | Nut                 |       |
| 58                    | 325670008/1 | 2    | Washer              |       |
| 59                    | 112156602/0 | 1    | Nut                 |       |

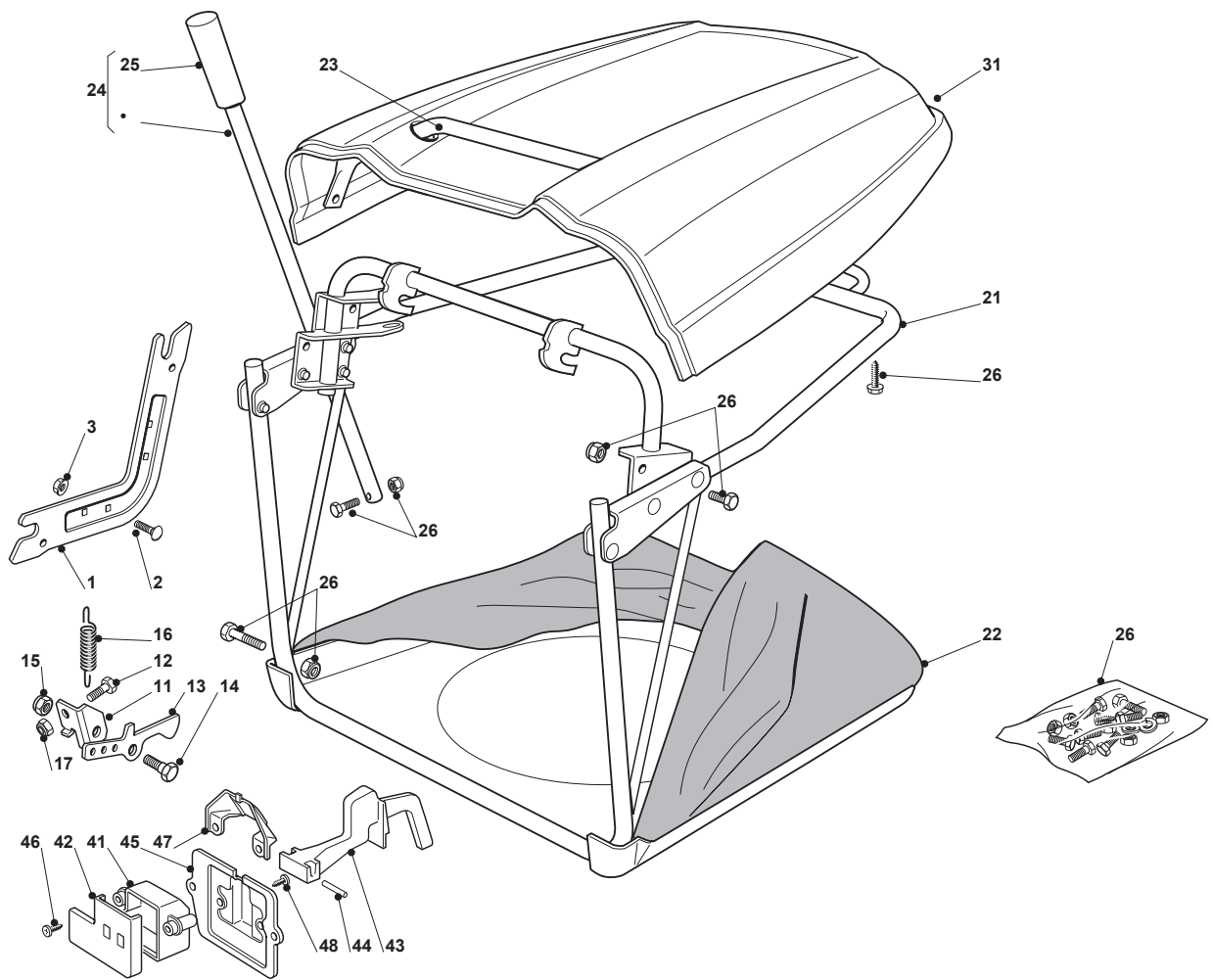




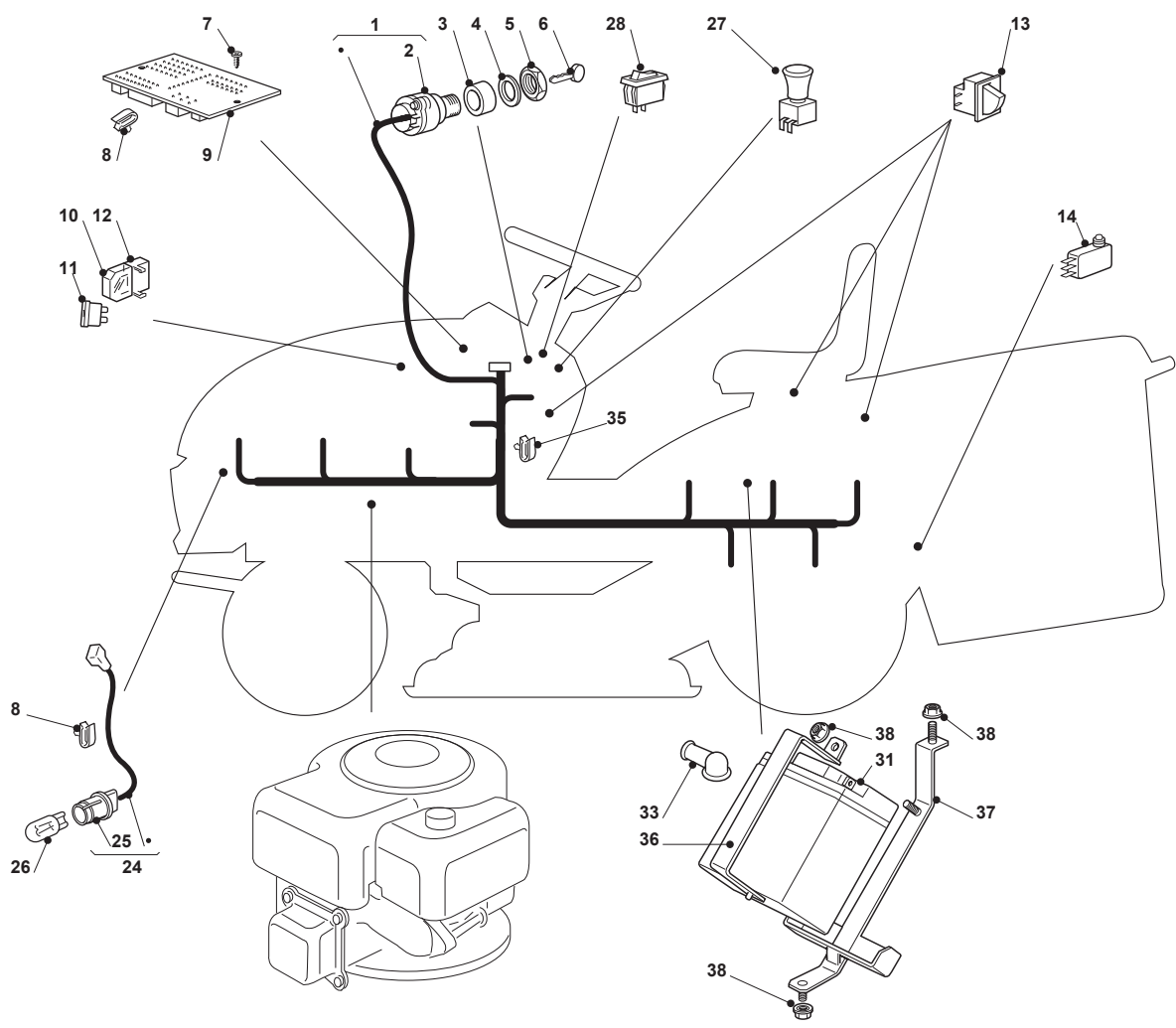
| Guards |             |      |                       |       |
|--------|-------------|------|-----------------------|-------|
| POS    | CODE        | Q.TY | DESCRIPTION           | NOTES |
| 1      | 325060121/0 | 1    | Case                  |       |
| 2      | 325060122/0 | 1    | Case                  |       |
| 3      | 112735122/0 | 6    | Screw                 |       |
| 4      | 112728535/0 | 4    | Screw                 |       |
| 5      | 325774381/0 | 1    | Bracket               |       |
| 6      | 325774383/0 | 1    | Bracket               |       |
| 7      | 325033066/0 | 1    | Water Hose Connection |       |
| 8      | 119035000/0 | 1    | O.R. Ring             |       |
| 9      | 325033065/0 | 2    | Water Hose Connection |       |
| 10     | 112500030/0 | 2    | Rivet                 |       |
| 11     | 325869069/0 | 1    | Connecting Tube       |       |
| 12     | 325869068/0 | 1    | Connecting Tube       |       |
| 13     | 325160039/0 | 6    | Spacer                |       |
| 21     | 325060127/0 | 1    | Case                  |       |
| 22     | 112791400/0 | 2    | Screw                 |       |
| 23     | 112154510/0 | 2    | Nut                   |       |
| 24     | 325160039/0 | 2    | Spacer                |       |
| 32     | 382108008/1 | 1    | Conveyor              |       |
| 33     | 325774373/0 | 2    | Clamp                 |       |



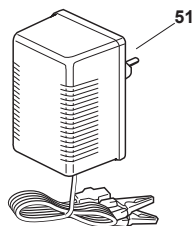
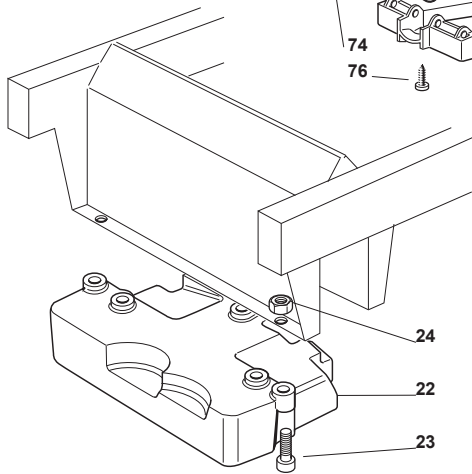
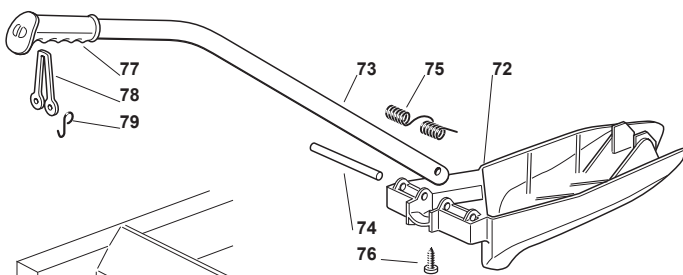
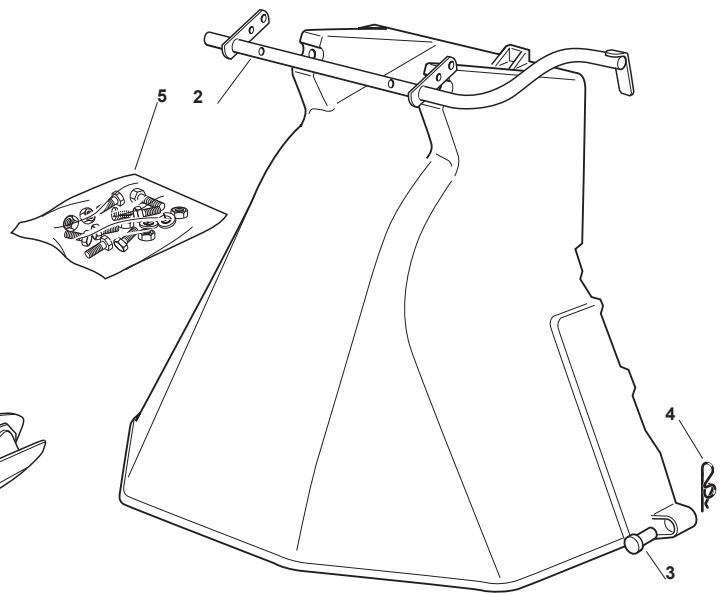
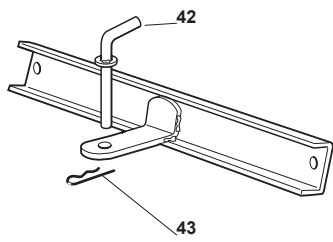
| Cutting Deck |             |      |                             |       |
|--------------|-------------|------|-----------------------------|-------|
| POS          | CODE        | Q.TY | DESCRIPTION                 | NOTES |
| 1            | 382564075/0 | 1    | Cutting Plate Black         |       |
| 2            | 382207202/0 | 1    | Left Flange Ass.Y           |       |
| 3            | 125020802/0 | 1    | Shaft                       |       |
| 5            | 119216047/0 | 2    | Bearing                     |       |
| 6            | 325160501/0 | 1    | Dust Cover Disc             |       |
| 7            | 112609260/0 | 1    | Seeger                      |       |
| 8            | 382207203/0 | 1    | Right Flange Assy           |       |
| 9            | 125020803/0 | 1    | Secondary Blade Shaft       |       |
| 11           | 119216047/0 | 2    | Bearing                     |       |
| 12           | 325160501/0 | 1    | Dust Cover Disc             |       |
| 13           | 112609260/0 | 1    | Seeger                      |       |
| 14           | 112139480/0 | 2    | Feather                     |       |
| 15           | 112818700/0 | 6    | Screw                       |       |
| 16           | 112154210/0 | 6    | Self-Locking Nut            |       |
| 17           | 125601563/0 | 2    | Pulley                      |       |
| 18           | 125670007/0 | 2    | Washer                      |       |
| 19           | 112583500/0 | 2    | Grower                      |       |
| 20           | 112793102/0 | 2    | Screw                       |       |
| 21           | 125160007/0 | 1    | Spacer                      |       |
| 22           | 125670007/0 | 1    | Washer                      |       |
| 23           | 125601555/0 | 1    | Pulley                      |       |
| 24           | 112691115/0 | 1    | Screw                       |       |
| 25           | 112523060/0 | 1    | Washer                      |       |
| 26           | 112155000/0 | 1    | Nut                         |       |
| 27           | 135065701/0 | 1    | Belt                        |       |
| 31           | 382318141/2 | 1    | Lever                       |       |
| 32           | 112691700/0 | 1    | Screw                       |       |
| 33           | 112523070/0 | 2    | Washer                      |       |
| 34           | 322672152/0 | 2    | Antifriction Washer         |       |
| 35           | 112155000/0 | 1    | Nut                         |       |
| 36           | 125601564/0 | 1    | Pulley                      |       |
| 37           | 119216048/0 | 1    | Bearing                     |       |
| 38           | 112610800/0 | 1    | Snap Ring                   |       |
| 39           | 112609200/0 | 1    | Seeger                      |       |
| 40           | 382004618/0 | 1    | Wire                        |       |
| 41           | 382774215/3 | 1    | Clamp                       |       |
| 42           | 112792611/0 | 1    | Screw                       |       |
| 43           | 112293201/0 | 1    | Nut                         |       |
| 51           | 112139100/0 | 2    | Key                         |       |
| 52           | 125463200/0 | 2    | Blade Hub                   |       |
| 53           | 182004352/0 | 1    | Right Mulching Blade        |       |
| 54           | 181004346/3 | 1    | Blade                       |       |
| 57           | 122160400/0 | 2    | Elastic Disk                |       |
| 58           | 112523080/0 | 2    | Washer                      |       |
| 59           | 112735695/1 | 1    | Screw                       |       |
| 60           | 112735694/0 | 1    | Screw                       |       |
| 61           | 382000535/0 | 1    | Equalizer Rod               |       |
| 62           | 382000533/0 | 1    | Equalizer Rod               |       |
| 63           | 325670008/1 | 4    | Washer                      |       |
| 64           | 112156602/0 | 2    | Nut                         |       |
| 65           | 325670008/1 | 2    | Washer                      |       |
| 66           | 124487998/0 | 2    | Cotter Pin                  |       |
| 53a          | 182004354/0 | 1    | Right Blade, Winged         |       |
| 53b          | 182004345/1 | 1    | Right Blade, Winged         |       |
| 54a          | 182004353/0 | 1    | Left Blade Mulching, Winged |       |
| 54b          | 182004344/1 | 1    | Left Blade, Winged          |       |



| Grasscatcher |             |      |                                |       |
|--------------|-------------|------|--------------------------------|-------|
| POS          | CODE        | Q.TY | DESCRIPTION                    | NOTES |
| 1            | 325785275/0 | 2    | Support                        |       |
| 2            | 112818690/0 | 4    | Screw                          |       |
| 3            | 112293201/0 | 4    | Nut                            |       |
| 11           | 325755031/1 | 1    | Bracket                        |       |
| 12           | 112789000/0 | 1    | Screw                          |       |
| 13           | 325774315/1 | 1    | Bracket                        |       |
| 14           | 125510080/1 | 1    | Pin                            |       |
| 15           | 112292102/0 | 1    | Nut                            |       |
| 16           | 122450432/0 | 1    | Spring                         |       |
| 17           | 112154330/0 | 1    | Low Self-Locking Nut           |       |
| 21           | 382800111/0 | 1    | Front Frame                    |       |
| 22           | 182105973/0 | 1    | Grasscatcher                   |       |
| 23           | 382394003/0 | 1    | Front Handle                   |       |
| 24           | 382869023/0 | 1    | Rod                            |       |
| 25           | 125394508/0 | 1    | Knob                           |       |
| 26           | 382180048/0 | 1    | Screw                          |       |
| 31           | 325110421/0 | 1    | White Grass-Catcher Cover      |       |
| 41           | 125600041/0 | 1    | Grassc.Full Micro Protection   |       |
| 42           | 125600042/0 | 1    | Grasscatcher Micro Prot Cover  |       |
| 43           | 125318124/0 | 1    | Full Grassc. Microswitch Cover |       |
| 44           | 112400030/0 | 1    | Pin                            |       |
| 45           | 325785272/0 | 1    | Micro Protection               |       |
| 46           | 112728510/0 | 1    | Screw                          |       |
| 47           | 125600048/0 | 1    | Micro Protection Cover         |       |
| 48           | 112735110/0 | 2    | Screw                          |       |

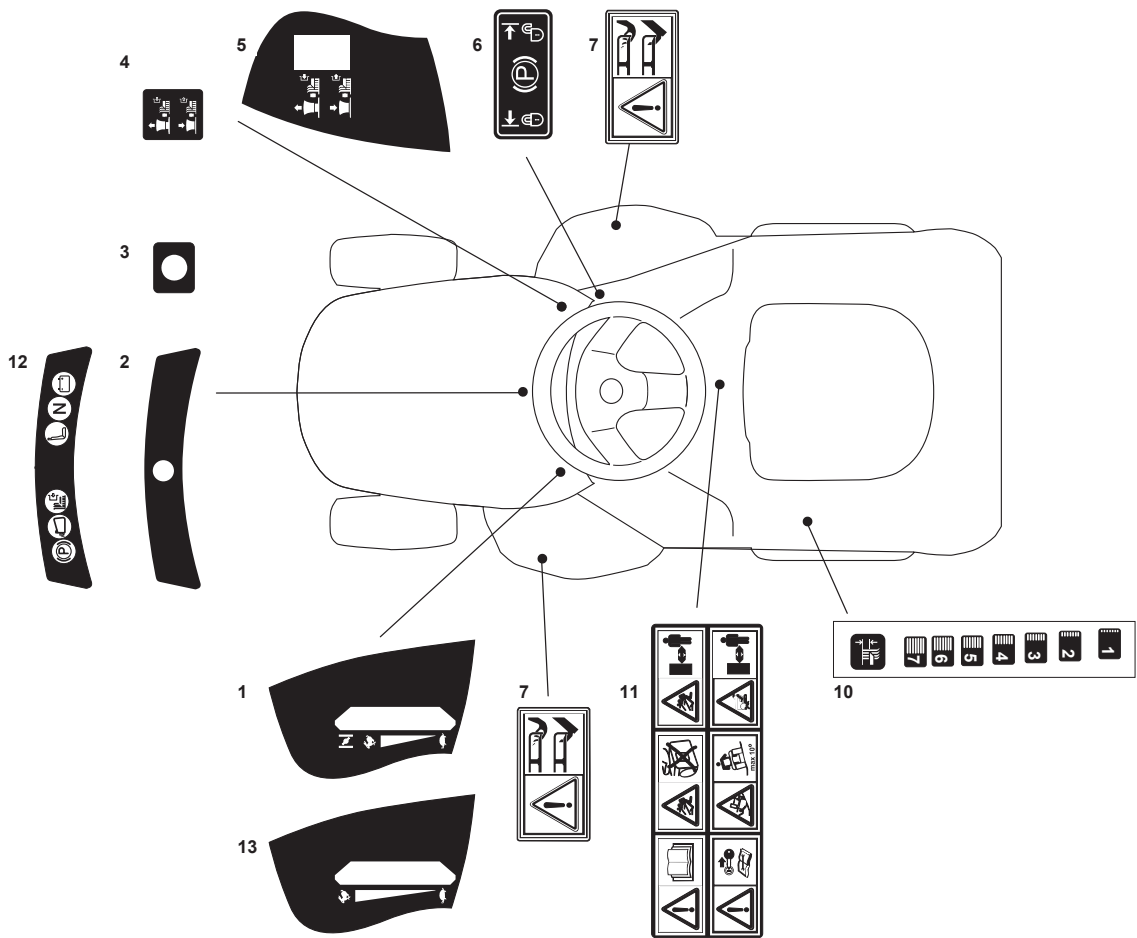


| Electric Parts |             |      |                                |       |
|----------------|-------------|------|--------------------------------|-------|
| POS            | CODE        | Q.TY | DESCRIPTION                    | NOTES |
| 1              | 182040153/0 | 1    | Cables Ass.Y                   |       |
| 2              | 118450072/0 | 1    | Starting Switch                |       |
| 3              | 118550136/0 | 1    | Spacer                         |       |
| 4              | 118550135/0 | 1    | Washer                         |       |
| 5              | 118400862/0 | 1    | Ring Nut                       |       |
| 6              | 118210022/0 | 1    | Starting Key                   |       |
| 7              | 112727810/0 | 3    | Screw                          |       |
| 8              | 133320506/0 | 2    | Fairlead                       |       |
| 9              | 125722430/1 | 1    | Electronic Card (1 Led)        |       |
| 10             | 133215000/0 | 2    | Cover                          |       |
| 11             | 133340036/0 | 1    | Fuse 25 A                      |       |
| 11             | 133340040/0 | 1    | Lamellar Fusible 10A           |       |
| 12             | 133500007/0 | 2    | Fuse Carrier                   |       |
| 13             | 119410615/0 | 3    | Micro Switch                   |       |
| 14             | 119410605/1 | 1    | Micro Switch                   |       |
| 24             | 182040073/0 | 1    | Cables Ass.Y                   |       |
| 25             | 133500030/0 | 2    | Lamp Holder                    |       |
| 26             | 118459100/0 | 2    | Lamp For Lights                |       |
| 27             | 118450068/0 | 1    | Delta Switch                   |       |
| 28             | 118450060/1 | 1    | Headlight Interrupt. Cre1116-0 |       |
| 31             | 118120002/1 | 1    | Battery                        |       |
| 33             | 118564861/1 | 1    | Protection                     |       |
| 35             | 133320506/0 | 9    | Fairlead                       |       |
| 36             | 327772099/1 | 1    | Clamp                          |       |
| 37             | 382785191/0 | 1    | Battery Support                |       |
| 38             | 112155000/0 | 3    | Nut                            |       |

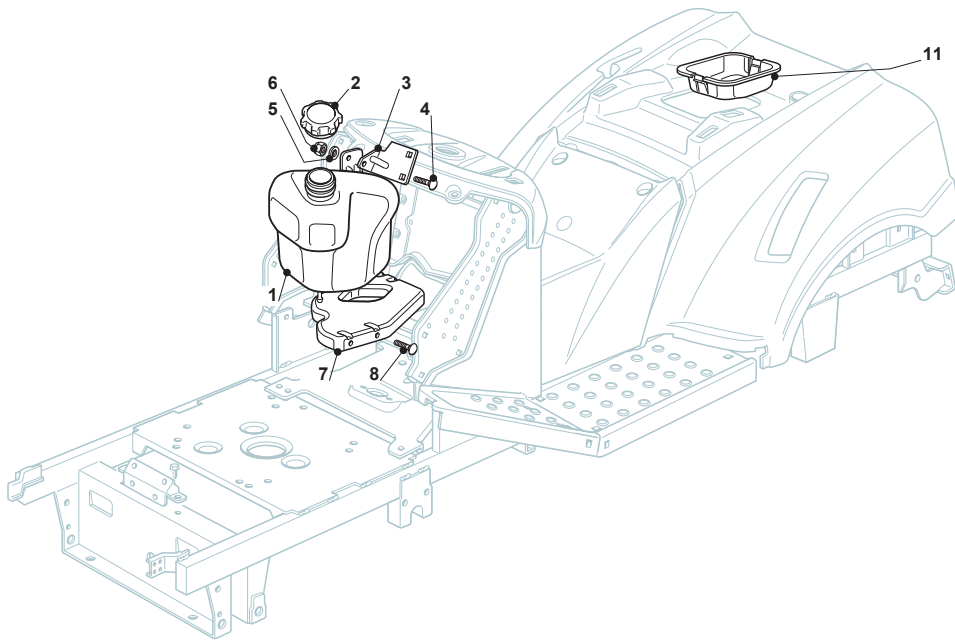




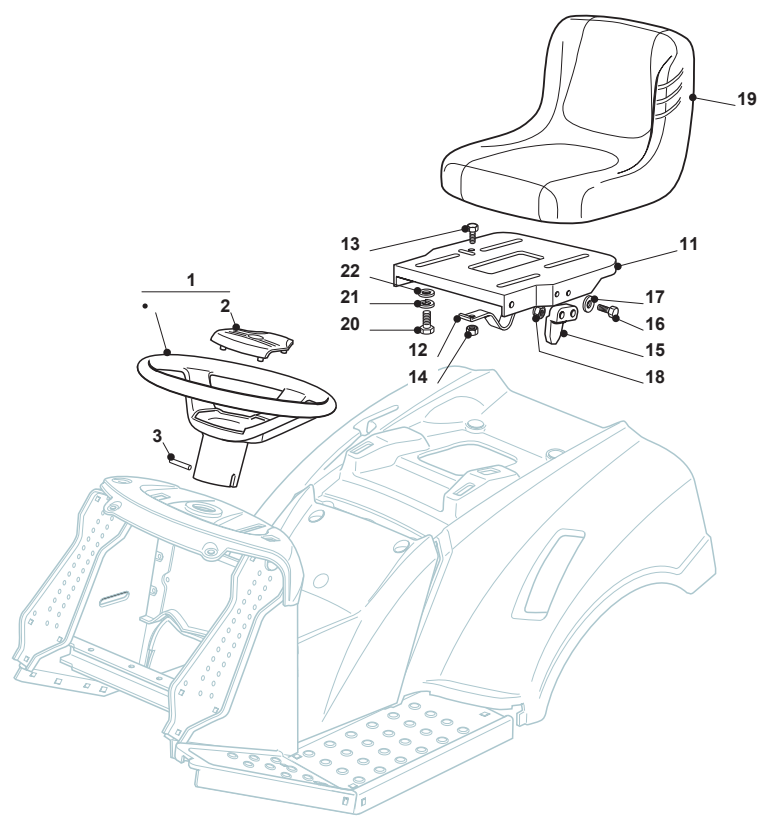
| Optionals On Request |             |      |                       |         |
|----------------------|-------------|------|-----------------------|---------|
| POS                  | CODE        | Q.TY | DESCRIPTION           | NOTES   |
| 2                    | 382869035/0 | 1    | Support               |         |
| 3                    | 125510022/0 | 2    | Pin                   |         |
| 4                    | 124487998/0 | 2    | Cotter Pin            |         |
| 5                    | 382180062/0 | 1    | Screw                 |         |
| 22                   | 125519997/1 | 1    | Front Weight Tc       |         |
| 23                   | 112760520/0 | 3    | Screw                 |         |
| 24                   | 112155000/0 | 3    | Nut                   |         |
| 42                   | 125510021/1 | 1    | Hitch Pin             |         |
| 43                   | 124487999/0 | 1    | Spring Pin            |         |
| 51                   | 182180050/0 | 1    | Battery Charger 0,6A  | EU Plug |
| 51                   | 182180052/0 | 1    | Battery Charger 0,6A  | UK Plug |
| 72                   | 325140093/0 | 1    | Deflector             |         |
| 73                   | 325394007/0 | 1    | Handle                |         |
| 74                   | 125510077/0 | 1    | Pin                   |         |
| 75                   | 125430245/0 | 1    | Spring                |         |
| 76                   | 112735410/0 | 1    | Screw                 |         |
| 77                   | 325280000/1 | 1    | Handgrip              |         |
| 78                   | 125840011/1 | 1    | Tie Rod               |         |
| 79                   | 125253004/0 | 2    | Mulch.Kit Fixing Hook |         |



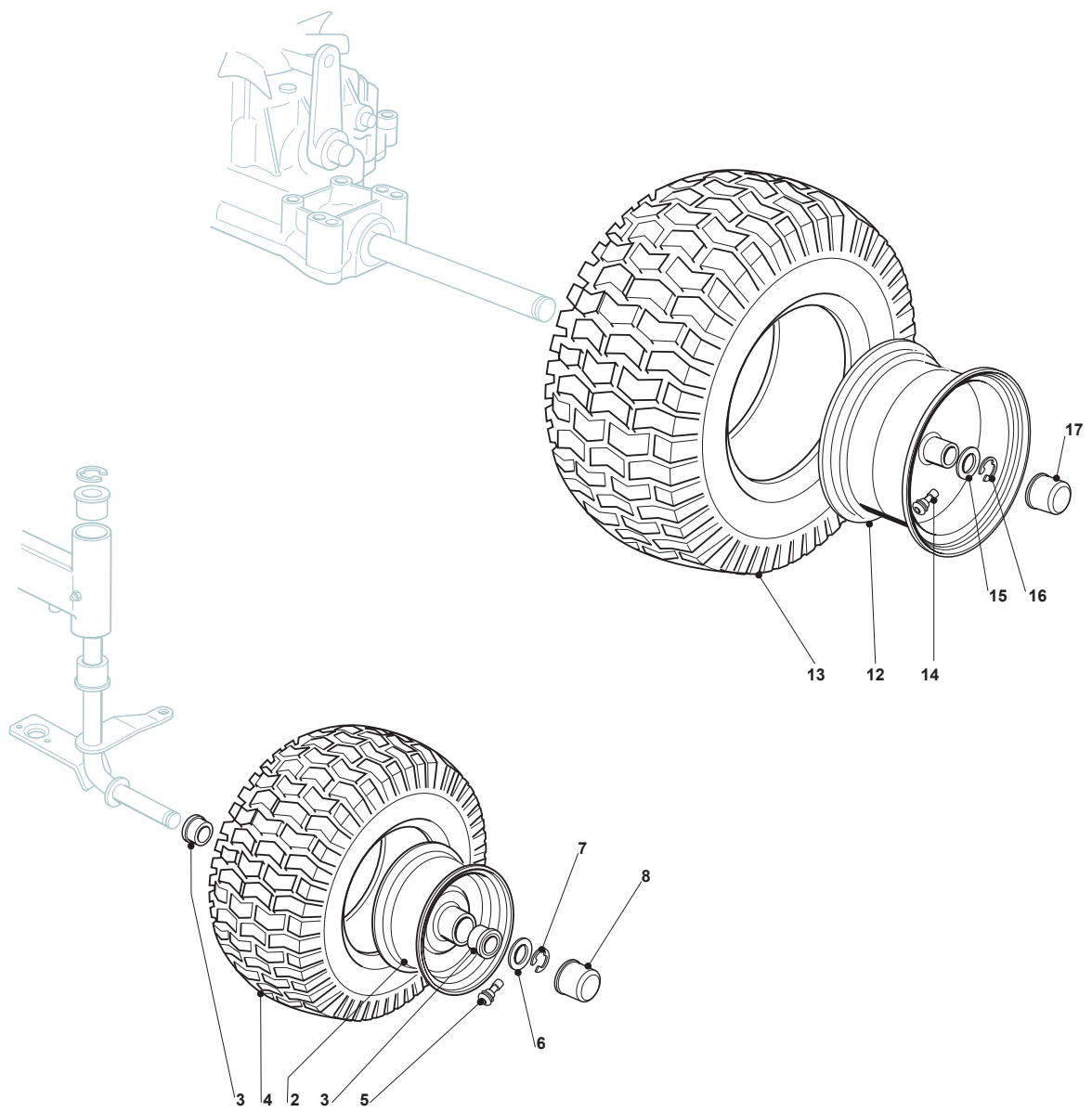
| Labels |             |      |             |                          |
|--------|-------------|------|-------------|--------------------------|
| POS    | CODE        | Q.TY | DESCRIPTION | NOTES                    |
| 1      | 114361440/0 | 1    | Label       |                          |
| 2      | 125420019/0 | 1    | Label       | Only for 1 led Dashboard |
| 3      | 125420018/0 | 1    | Label       | Only for NJ - NJR - NJB  |
| 4      | 114361438/0 | 1    | Label       | Only for NJ - NJR - NJB  |
| 5      | 114361439/0 | 1    | Label       |                          |
| 6      | 114361452/0 | 1    | Label       |                          |
| 7      | 114356699/1 | 2    | Label       |                          |
| 10     | 114361441/0 | 1    | Label       |                          |
| 11     | 114361553/0 | 1    | Label       |                          |
| 12     | 125420020/0 | 1    | Label       | Only for 6 led Dashboard |
| 13     | 114364616/0 | 1    | Label       | Only for HONDA Engine    |



| Tank 4,5 Lt |             |      |             |       |
|-------------|-------------|------|-------------|-------|
| POS         | CODE        | Q.TY | DESCRIPTION | NOTES |
| 1           | 325735124/0 | 1    | Tank        |       |
| 2           | 125795000/1 | 1    | Fuel Cap    |       |
| 3           | 325785291/0 | 1    | Support     |       |
| 4           | 112789195/0 | 1    | Screw       |       |
| 5           | 112581500/0 | 1    | Grower      |       |
| 6           | 112437503/0 | 1    | Plate       |       |
| 7           | 325785289/0 | 1    | Support     |       |
| 8           | 112735403/0 | 4    | Screw       |       |
| 11          | 325207176/0 | 1    | Basin       |       |



| Seat & Steering Wheel |             |      |                      |       |
|-----------------------|-------------|------|----------------------|-------|
| POS                   | CODE        | Q.TY | DESCRIPTION          | NOTES |
| 1                     | 125961212/0 | 1    | Steering Wheel       |       |
| 1                     | 125961216/0 | 1    | Steering Wheel       |       |
| 2                     | 325580500/0 | 1    | Cap                  |       |
| 2                     | 325580501/0 | 1    | Cap                  |       |
| 3                     | 112620299/0 | 1    | Elastic Pin          |       |
| 11                    | 325547033/1 | 1    | Seat Plate           |       |
| 12                    | 125430223/2 | 1    | Spring               |       |
| 13                    | 112789000/0 | 1    | Screw                |       |
| 14                    | 112154330/0 | 1    | Low Self-Locking Nut |       |
| 15                    | 327063021/1 | 1    | Cam                  |       |
| 16                    | 112789100/0 | 2    | Screw                |       |
| 17                    | 112523020/0 | 2    | Washer               |       |
| 18                    | 112154330/0 | 2    | Low Self-Locking Nut |       |
| 19                    | 125722463/0 | 1    | Seat                 |       |
| 20                    | 112793101/0 | 4    | Screw                |       |
| 21                    | 112583500/0 | 4    | Grower               |       |
| 22                    | 112523060/0 | 4    | Washer               |       |





| <b>Wheels</b> |             |             |                    |              |
|---------------|-------------|-------------|--------------------|--------------|
| <b>POS</b>    | <b>CODE</b> | <b>Q.TY</b> | <b>DESCRIPTION</b> | <b>NOTES</b> |
| 2             | 182000598/0 | 2           | Front Wheel        |              |
| 3             | 125122200/2 | 4           | Rimm               |              |
| 4             | 127590066/0 | 2           | Bearing            |              |
| 5             | 125950000/0 | 2           | Shoe Deli Tire     |              |
| 6             | 125670005/1 | 2           | Valve              |              |
| 7             | 112001000/0 | 2           | Washer             |              |
| 8             | 122110230/0 | 2           | Benzing Ring       |              |
| 12            | 182000599/0 | 2           | Hub Cover          |              |
| 13            | 125590015/0 | 2           | Rear Wheel         |              |
| 14            | 125950000/0 | 2           | Rear Wheel         |              |
| 15            | 125670005/1 | 2           | Shoe Deli Tire     |              |
| 16            | 112001010/0 | 2           | Valve              |              |
| 17            | 122110230/0 | 2           | Washer             |              |