

ALPINK

www.alpinagarden.com

> Illustrated Parts List

for:

> AT3 72 HCB

- Use GLOBAL GARDEN PRODUCT genuine spare parts specified in the parts list for repair and/or replacement.
- The contents described in the parts list may change due to improvement.
- The drawings of the spare part are only indicative and might not represent the part in question exactly.
- The indications "right" - "left" - "front" - "rear" refer to the position of the operator when using the machine.
- When placing orders of parts for repair and/or replacement, make sure that the illustrated parts list is the one applying to the machine's year of manufacture, as shown on the identification plate attached to the machine.

© Copyright 2013 Global Garden Products

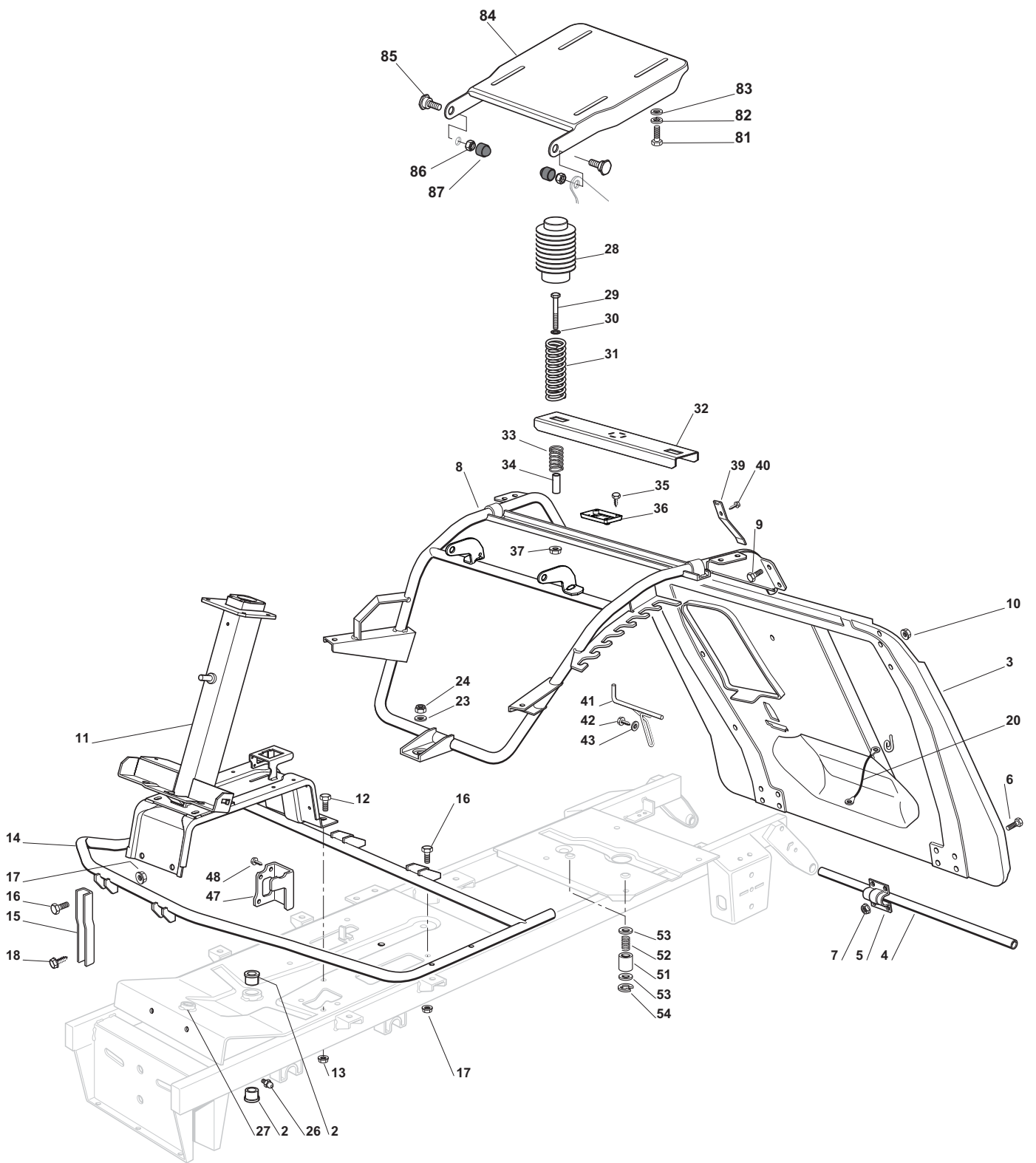
All content is subject to copyright by Global Garden Products and may not be reproduced in whole or in part by any means, electronic or otherwise, without prior written approval.

THIS INFORMATION IS NOT INTENDED FOR SALE OR RESALE, AND THIS NOTICE MUST REMAIN ON ALL COPIES.

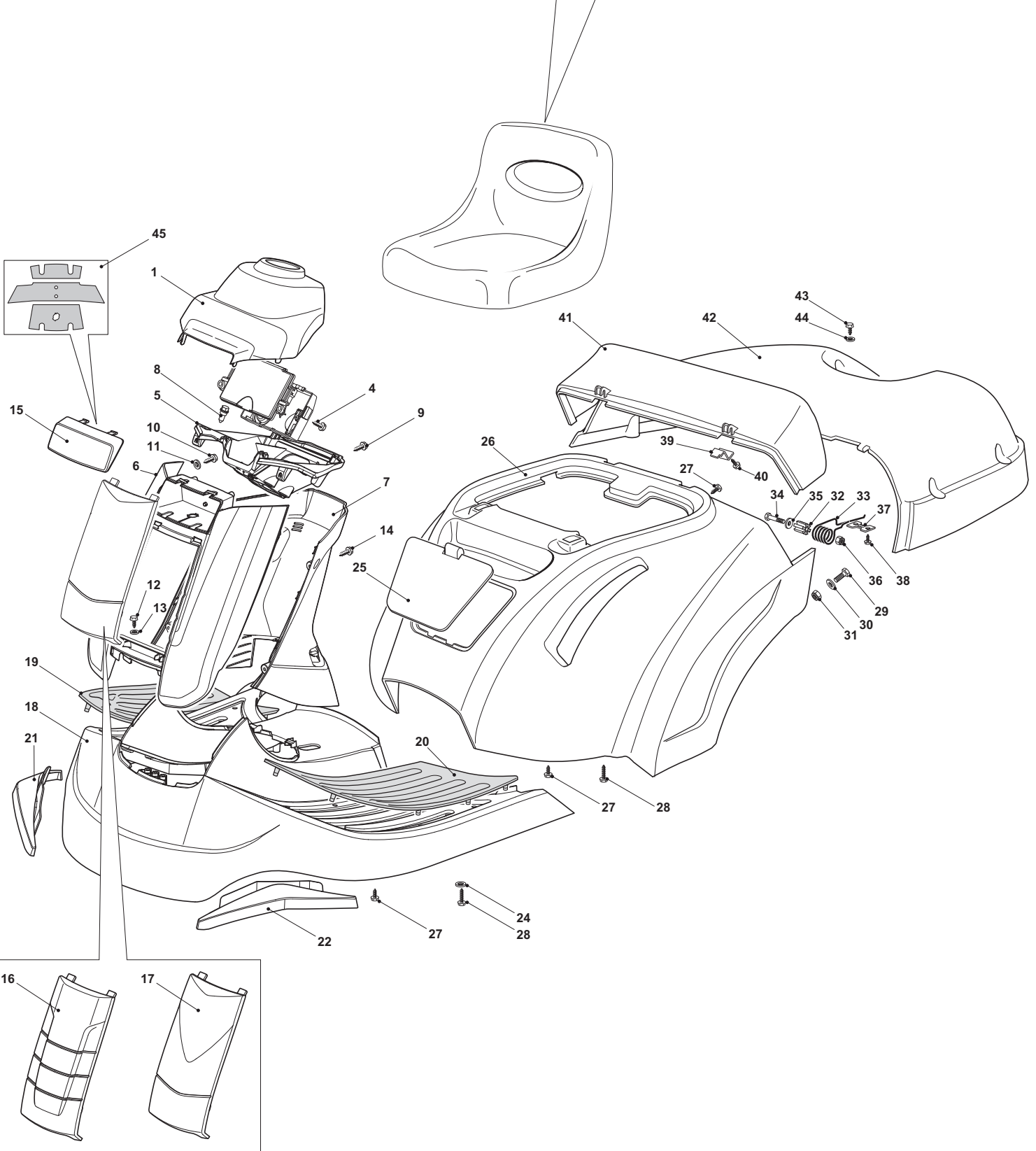
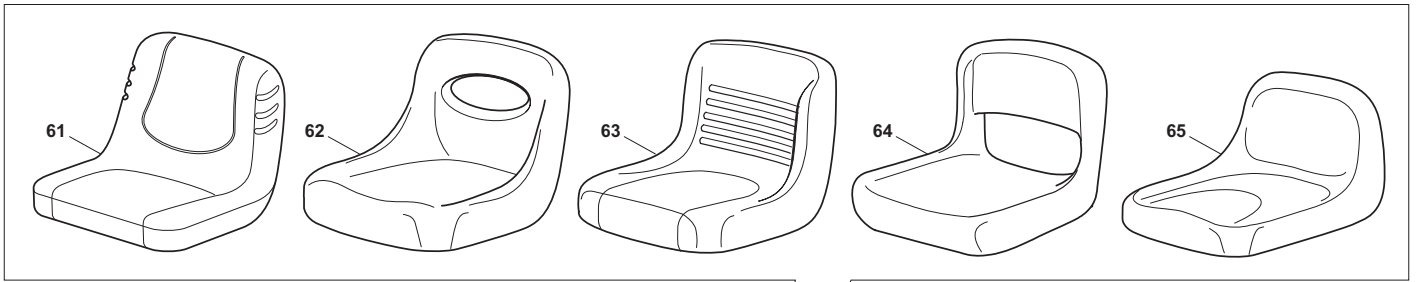
www.ggp-group.com



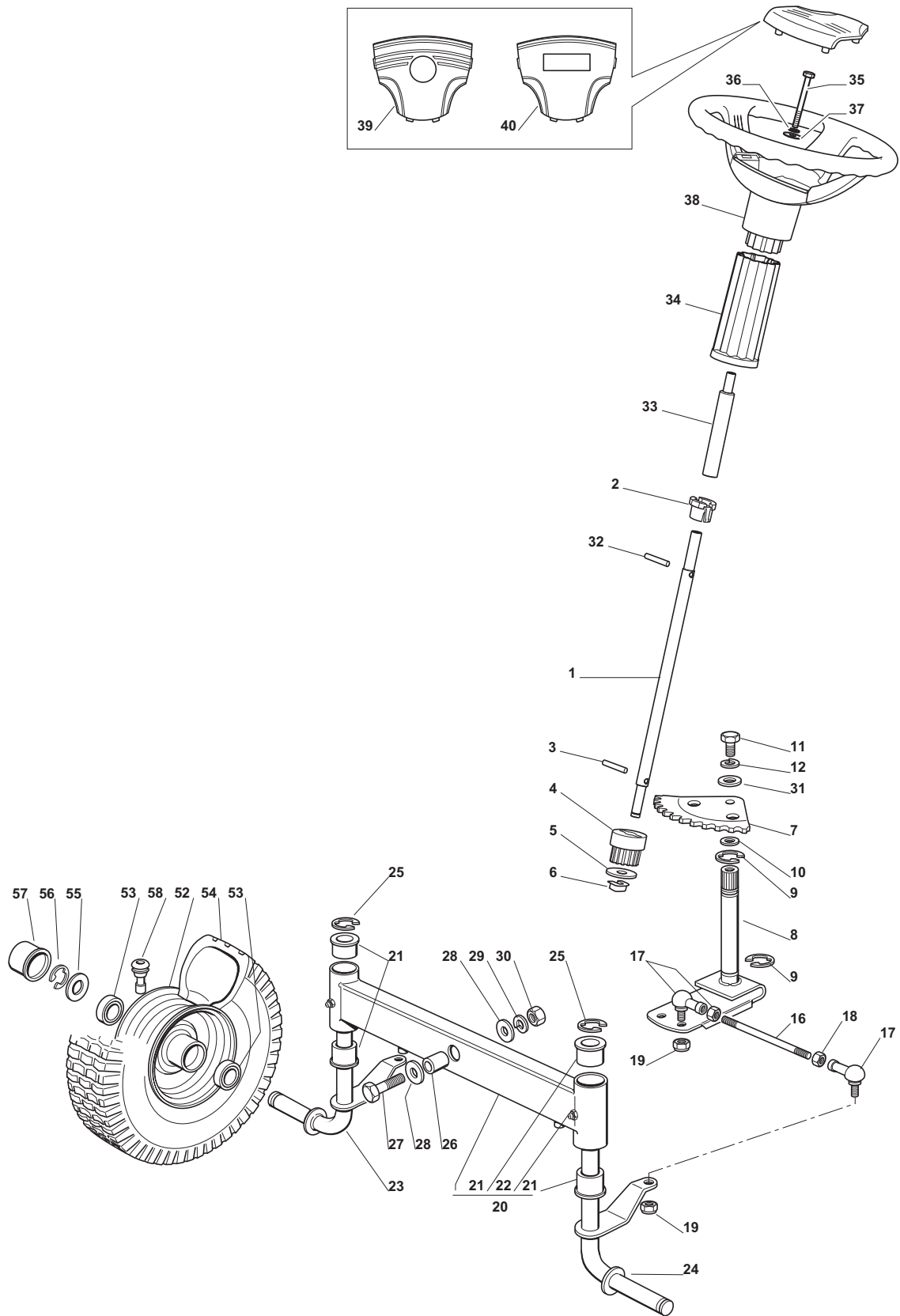
Engineered to amaze you



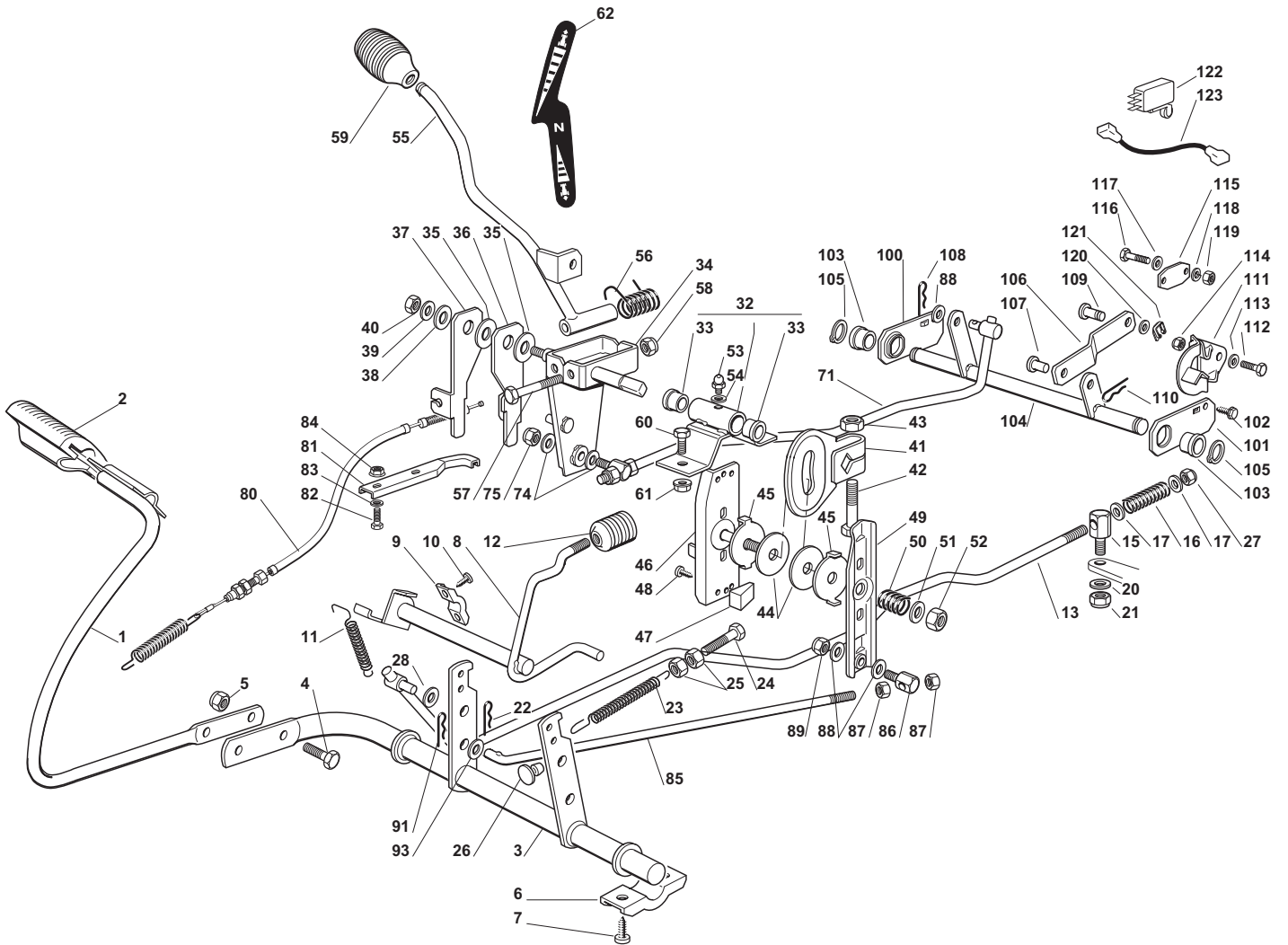
Chassis				with Briggs & Stratton Engines
POS	CODE	Q.TY	DESCRIPTION	NOTES
2	125034002/1	2	Bush	
3	384545057/3	1	Plate	
4	127037000/1	1	Pin	
5	325547012/1	2	Plate	
6	112791213/1	8	Screw	
7	112292102/0	8	Nut	
8	384801149/0	1	Chassis	
9	112792611/0	4	Screw	
10	112293201/0	4	Nut	
11	382785243/0	1	Support	
12	112792611/0	4	Screw	
13	112293201/0	4	Nut	
14	384801107/2	1	Footboard Support	
15	327787025/0	2	Support	
16	112792611/0	4	Support	
17	112293201/0	4	Screw	
18	112735120/0	2	Screw	
20	384040300/0	1	Cord	
23	112523060/0	1	Washer	
24	112155000/0	1	Nut	
26	112379511/0	1	Grease Dispenser	
27	125034001/0	1	Bush	
28	325122003/0	2	Hood	
29	112691400/0	2	Screw	
30	112521350/0	2	Washer	
31	127430596/0	2	Spring	
32	327543047/0	1	Plate	
33	125430263/0	2	Spring	
34	125160048/0	2	Spacer	
35	112728686/0	2	Screw	
36	325785379/0	1	Micro Switch Bracket	
37	112293201/0	2	Nut	
39	127430554/0	1	Spring	
40	112735110/0	1	Screw	
41	127294001/0	1	Guide	
42	112735120/0	1	Screw	
43	112523040/0	1	Washer	
47	327772095/0	1	Support	
48	112735105/0	2	Screw	
51	127047012/0	2	Bush	
52	127430577/0	2	Spring	
53	325670008/1	4	Washer	
54	112000955/0	2	Snap Ring	
81	112793101/0	4	Screw	
82	112583500/0	4	Grower	
83	112523060/0	4	Washer	
84	382547061/0	1	Plate	
85	122524970/2	2	Pin	
86	112155010/0	2	Nut	
87	118203854/0	2	Protection	



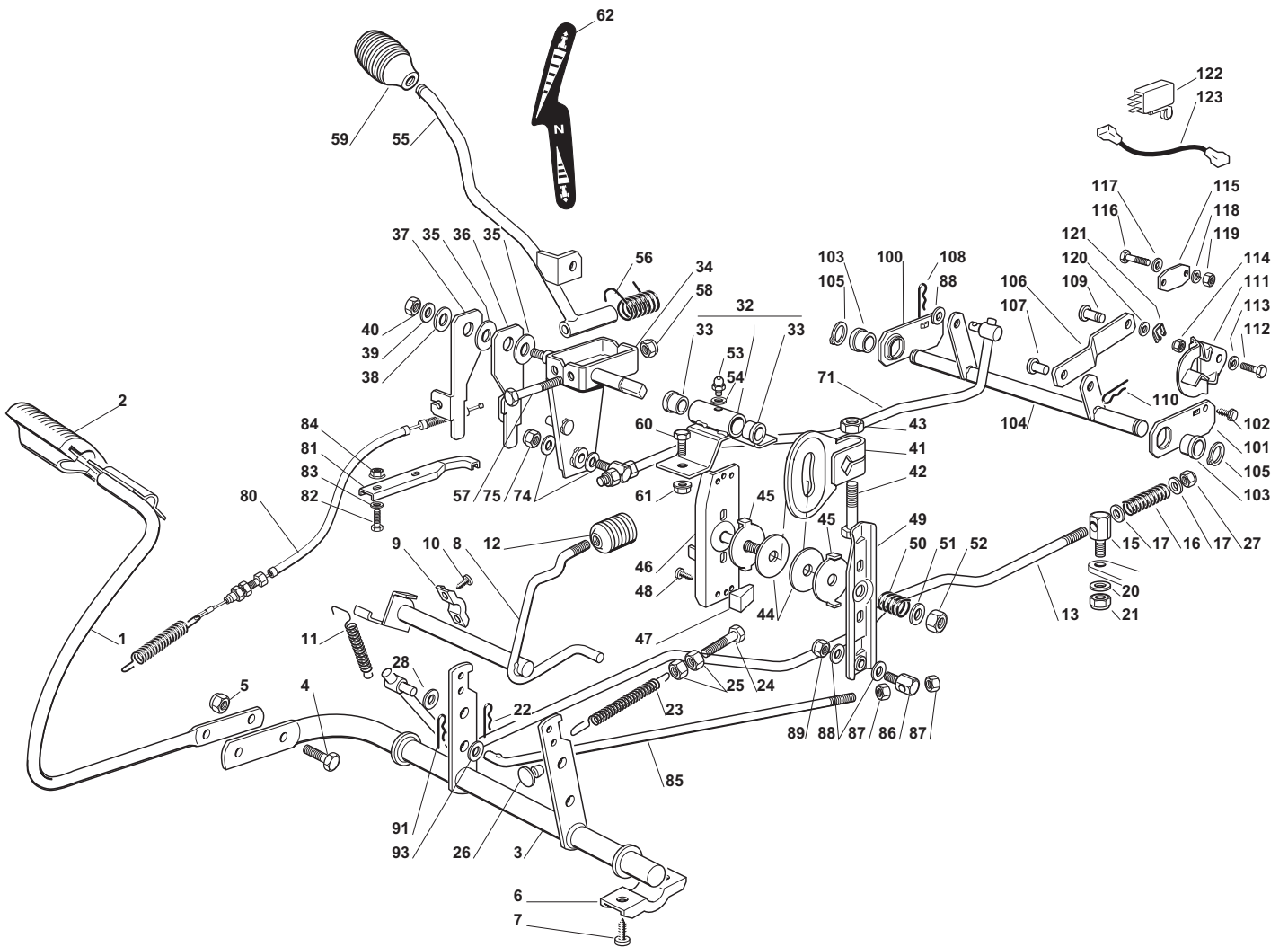
Body				
POS	CODE	Q.TY	DESCRIPTION	NOTES
1	327109533/0	1	Cover	
2	327600177/0	1	Upper Guard	
3	327031500/0	1	Lower Guard	
4	112735403/0	2	Screw	
5	327787084/0	1	Dashboard	
6	327787100/0	1	Steering Column Protection, White	
7	327787099/0	1	Rear Cover, Grey	
8	125943010/0	4	Screw	
9	112735403/0	2	Screw	
10	112735403/0	2	Screw	
11	112521331/0	2	Washer	
12	112735410/0	1	Screw	
13	112521331/0	1	Washer	
14	112735403/0	4	Screw	
15	325410913/0	1	Grill	
15	325410919/0	1	Grill, Grey	
17	327110477/0	1	Front Cover, Grey	
18	327110472/1	1	Footboard Cover, White	
19	127110304/0	1	Right Footboard Cover	
20	127110305/0	1	Left Footboard Cover	
21	327110502/0	1	Front Wheel Cover, Right	
22	327110501/0	1	Front Wheel Cover, Left	
24	112523040/0	4	Washer	
25	327109530/0	1	Front Cover, White	
26	384110169/0	1	White Wheels Cover (Hydro)	
27	112735402/0	10	Screw	
28	112735410/0	8	Screw	
29	112791200/1	2	Screw	
30	112523040/0	2	Washer	
31	112154510/0	2	Nut	
32	127047003/0	2	Bushing	
33	127430551/1	2	Spring	
34	112691200/0	2	Screw	
35	112523070/0	2	Washer	
36	112155000/0	2	Nut	
37	327546001/0	2	Plate	
38	112735402/0	4	Screw	
39	327546003/0	2	Plate	
40	112735402/0	2	Screw	
41	327110470/0	1	Fixed Grass-Catcher Cover, White	
42	327110471/0	1	Mobile Grass-Catcher Cover, White	
43	112729601/1	4	Screw	
44	112521331/0	4	Washer	
45	114366202/0	1	Lights Label	
61	125722463/0	1	Seat	



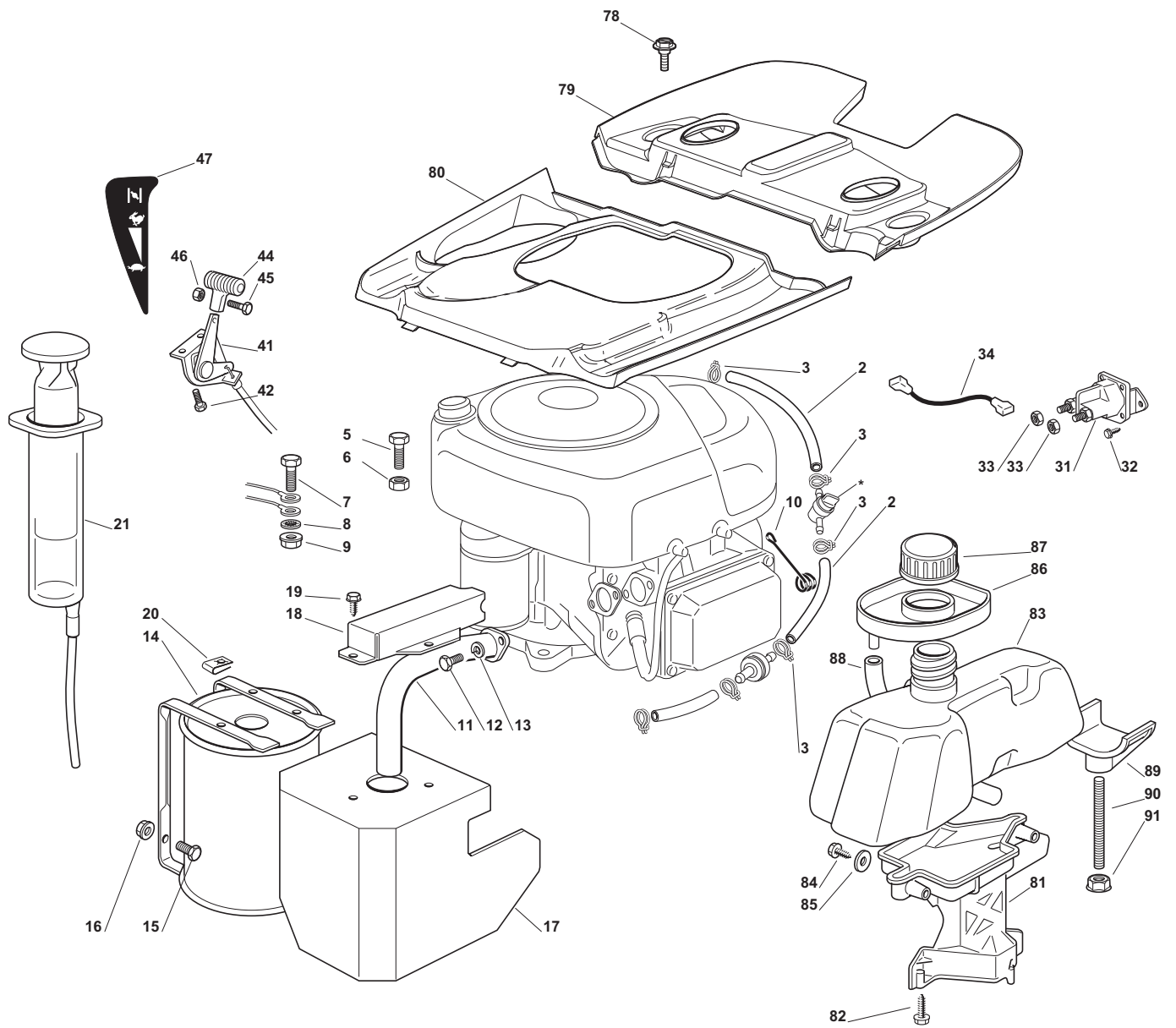
Steering				
POS	CODE	Q.TY	DESCRIPTION	NOTES
1	127520053/0	1	Steering Column	
2	325038004/0	1	Bush	
3	112622650/0	1	Pin	
4	127570050/0	1	Pinion	
5	112521370/0	1	Washer	
6	112436030/0	1	Plate	
7	384735551/0	1	Steering Sector	
8	384000501/0	1	Shaft	
9	112001000/0	2	Benzing Ring	
10	112520031/0	2	Washer	
11	112793102/0	1	Screw	
12	112583500/0	1	Grower	
16	127840050/0	2	Tie Rod	
17	122746609/0	4	Joint	
18	112295201/0	2	Nut	
19	112156602/0	4	Nut	
20	184034057/0	1	Complete Forecarriage Equalizer Ass.Y	
21	125034002/1	4	Bush	
22	112379511/0	2	Grease Dispenser	
23	384230401/0	1	Right Stub Axle	
24	384230403/0	1	Left Stub Axle	
25	112001000/0	2	Benzing Ring	
26	125160016/0	1	Equalizer Spacer	
27	112692695/0	1	Screw	
28	112523100/0	2	Washer	
29	112587100/0	1	Grower	
30	112295300/0	1	Hexagonal Nut	
31	112521350/0	1	Washer	
32	112620300/0	1	Pin	
33	127160060/0	1	Spacer	
34	325785419/0	1	Support	
35	127840055/0	1	Screw	
36	112540260/0	1	Washer	
37	112523070/0	1	Washer	
38	325961220/0	1	Steering Wheel	
39	325580503/0	1	Cap	
52	184044007/0	2	Rimm	
53	125122200/2	4	Bearing	
54	127590050/0	2	Tyre	
55	125670005/1	2	Washer	
56	112001000/0	2	Benzing Ring	
57	122110230/0	2	Hub Cover	
58	125950000/0	2	Valve	



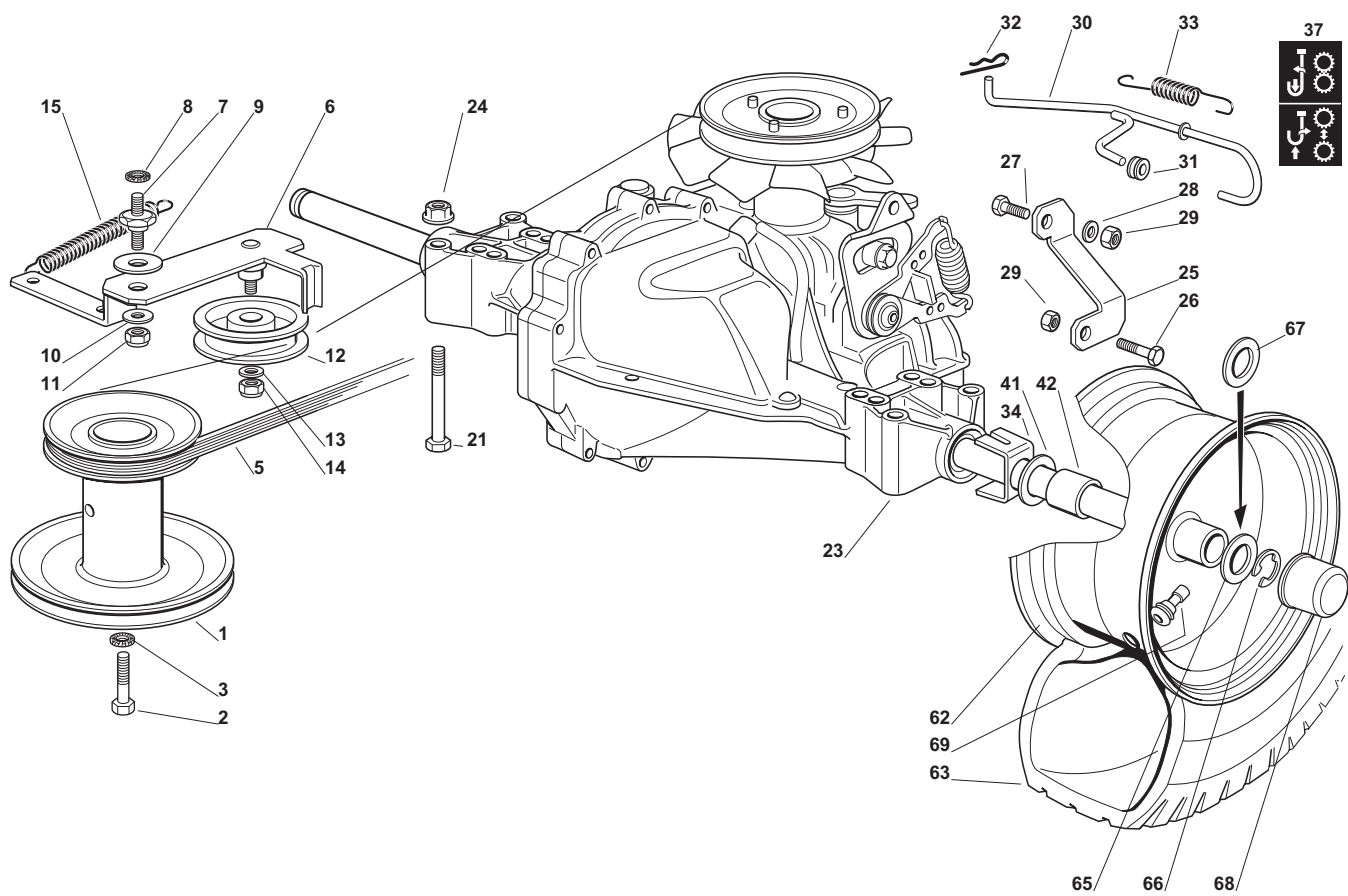
Brake And Gearbox Controls				only for Hydro-Gear transmission
POS	CODE	Q.TY	DESCRIPTION	NOTES
1	384503001/0	1	Pedal	
2	125110267/0	1	Clamp Cover	
3	384001015/1	1	Axle	
4	112793301/0	2	Screw	
5	112155000/0	2	Nut	
6	327546015/2	2	Plate	
7	112731350/0	4	Screw	
8	384001011/2	1	Axle	
9	325547049/0	2	Plate	
10	112731601/0	4	Screw	
11	127430552/0	1	Spring	
12	127395050/1	1	Knob	
13	384002088/0	1	Rod	
15	112295200/0	1	Nut	
16	127430588/0	1	Spring	
17	112521360/0	2	Washer	
20	112523050/0	1	Washer	
21	112155000/0	1	Nut	
22	124487997/0	1	Cotter Pin	
23	125430210/1	1	Spring	
24	122943005/0	1	Screw	
25	112293200/0	2	Nut	
26	127275000/0	1	Grommet	
27	112156602/0	1	Nut	
28	325670011/0	1	Washer	
32	384773568/0	1	Bracket With Bussh	
33	112521331/0	2	Bushing	
34	384773561/0	1	Lever	
35	322672151/0	2	Washer	
36	327772101/0	1	Clamp	
37	327772103/0	1	Clamp	
38	322672152/0	1	Washer	
39	112523060/0	1	Washer	
40	112155010/0	1	Nut	
41	327734055/0	1	Sector	
42	112794900/0	1	Screw	
43	112155020/0	1	Nut	
44	127158000/0	2	Plate	
45	327670053/0	2	Washer	
46	384773565/0	1	Clamp	
47	127063020/0	2	Cam	
48	112735110/0	2	Screw	
49	384773563/0	1	Lever	
50	127430560/0	1	Spring	
51	325670008/1	1	Washer	
52	112155020/0	1	Nut	
53	112379511/0	1	Grease Dispenser	
54	112521331/0	1	Washer	
55	384317101/0	1	Gearshift	
56	125430226/0	1	Spring	
57	112692050/0	1	Screw	
58	112155000/0	1	Nut	
59	182394508/0	1	Knob	
60	112793102/0	2	Screw	
61	112293201/0	2	Nut	
62	114357702/0	1	Label	
71	384002092/0	1	Rod	
74	325670011/0	2	Washer	
75	112155010/0	1	Nut	
80	184207101/1	1	Wire	
81	327772105/0	1	Clamp	
82	112791400/0	2	Screw	
83	112521331/0	2	Washer	
84	112292102/0	2	Nut	
85	127034074/0	1	Rod	
86	125510040/1	1	Pin	
87	112293200/0	2	Nut	
88	325670011/0	3	Washer	
89	112155010/0	1	Nut	
91	124487997/0	1	Cotter Pin	
93	325670011/0	2	Washer	
100	327546059/0	1	Plate	
101	327546061/0	1	Plate	
102	112735120/0	2	Screw	
103	125040614/0	2	Bush	
104	384001029/0	1	Axle	
105	112608900/0	2	Seeger	
106	327034089/0	1	Rod	
107	127510111/0	1	Pin	
108	124487997/0	1	Cotter Pin	
109	125510085/0	1	Pin	
110	124487997/0	1	Cotter Pin	
111	327063023/0	1	Cam	
112	112793102/0	1	Screw	



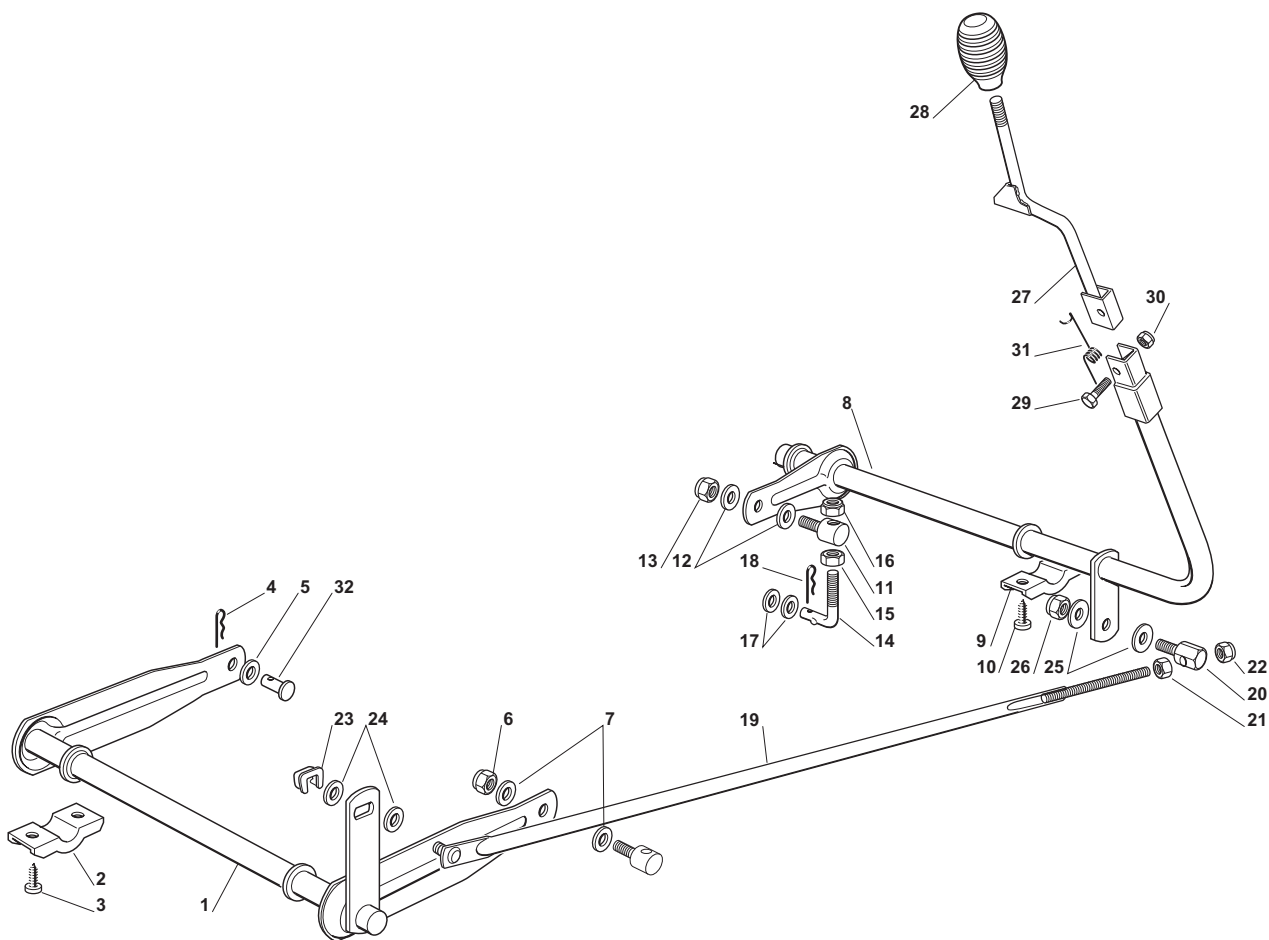
Brake And Gearbox Controls				only for Hydro-Gear transmission
POS	CODE	Q.TY	DESCRIPTION	NOTES
113	112521350/0	1	Washer	
114	112155000/0	1	Nut	
115	327546019/0	1	Plate	
116	112735602/0	2	Screw	
117	112540020/0	2	Washer	
118	112581100/0	2	Grower	
119	112290791/0	2	Nut	
120	112521350/0	1	Washer	
121	112436050/0	1	Plate	
122	119410609/0	1	Microswitch	
123	125065025/0	1	Cable	



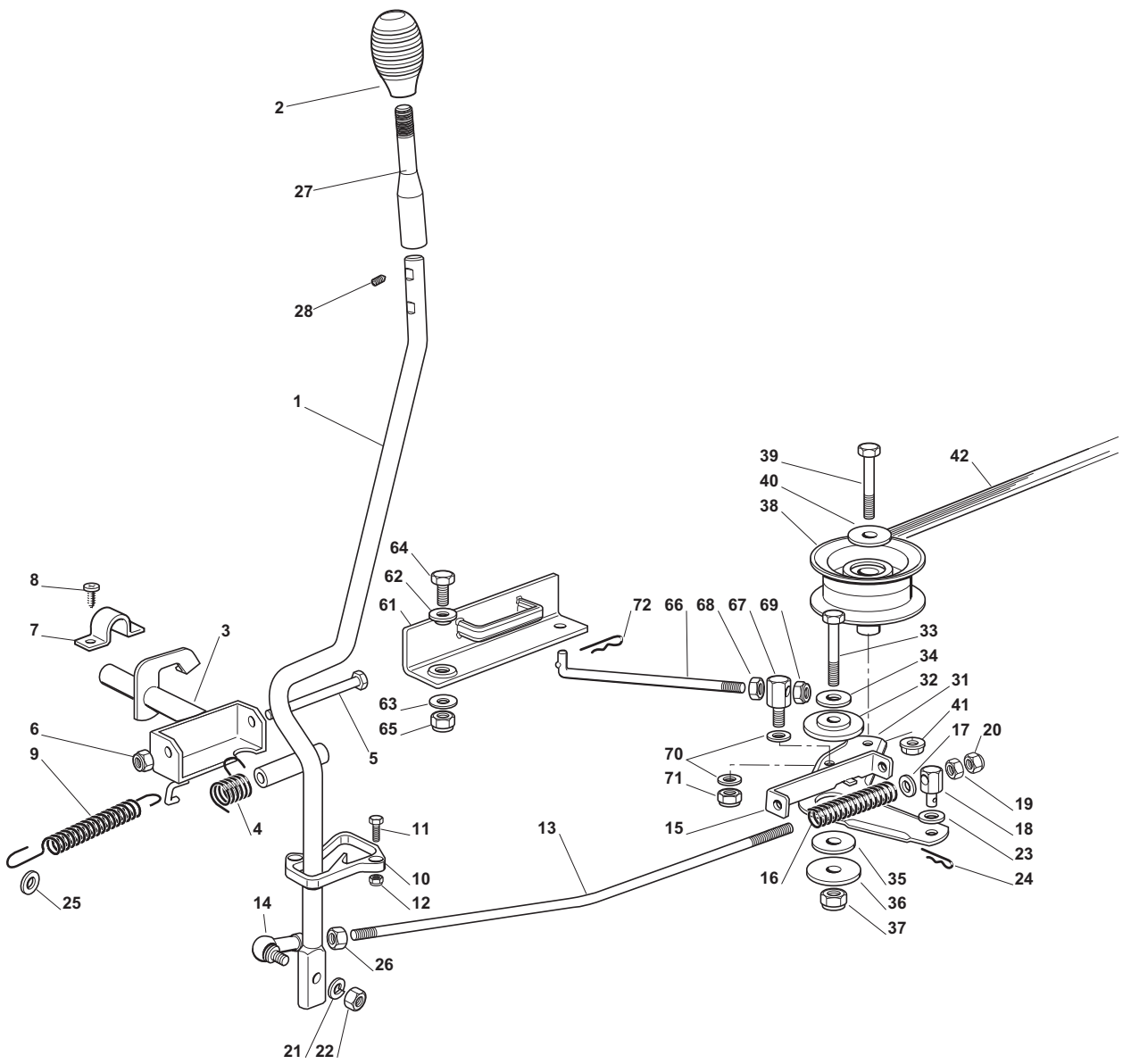
Engine				Briggs & Stratton
POS	CODE	Q.TY	DESCRIPTION	NOTES
2	325869035/1	2	Tube	
3	118375051/1	4	Fair Led	
5	112691100/0	3	Screw	
6	112154210/0	3	Nut	
7	112691115/0	1	Screw	
8	112540260/0	1	Washer	
9	112154210/0	1	Nut	
10	125430239/1	1	Spring	
11	118738225/0	1	Exhaust Connection	
12	112737450/0	2	Screw	
13	112583500/0	2	Grower	
14	182750006/1	1	Muffler	
15	112793102/0	2	Screw	
16	112154210/0	2	Nut	
17	384598081/0	1	Muffler Protection	
18	327600137/0	1	Protection	
19	112729601/1	3	Screw	
20	112437504/0	3	Plate	
21	118718000/0	1	Syringe	
31	118736110/0	1	Starter Relay	
32	112735110/0	2	Screw	
33	112360352/0	2	Nut	
34	127065050/0	1	Cable	
41	184000250/1	1	Throttle	
42	125943012/0	2	Screw	
44	125394501/0	1	Handle	
45	112726389/0	1	Screw	
46	112290800/0	1	Nut	
47	114357425/1	1	Label	
78	125943010/0	2	Screw	
79	327110515/0	1	Cover	
80	327110506/0	1	Engine Cover	
81	327787062/0	1	Support	
82	112735410/0	3	Screw	
83	127733003/1	1	Fuel Tank	
84	112735410/0	2	Screw	
85	112523040/0	2	Washer	
86	327600061/2	1	Guard	
87	125795000/1	1	Cap	
88	325869014/1	1	Fuel Tube	
89	327787063/0	1	Support	
90	127510118/0	1	Pin	
91	112293201/0	2	Nut	



Transmission				Hydro-Gear T2-BDBE-2X1A-16X1
POS	CODE	Q.TY	DESCRIPTION	NOTES
1	127604005/0	1	Pulley	
2	112737310/0	1	Screw	
3	112543000/0	1	Washer	
5	135061407/0	1	Belt	
6	384317067/1	1	Lever	
7	127510096/0	1	Pin	
8	112540260/0	1	Washer	
9	322672151/0	1	Washer	
10	325670011/0	1	Washer	
11	112155010/0	1	Nut	
12	125601554/0	1	Pulley	
13	112523060/0	1	Washer	
14	112155000/0	1	Nut	
15	122446402/1	1	Spring	
21	112691900/0	4	Screw	
23	118400976/2	1	Rear Axle	Hydro-Gear T2-Bdbe-2X1A-16X1
24	112154210/0	4	Nut	
25	327787075/0	1	Support	
26	112691400/0	1	Screw	
27	112793102/0	1	Screw	
28	112521350/0	1	Washer	
29	112155000/0	2	Nut	
30	384002087/0	1	Lever	
31	118564512/0	1	Fair Lead	
32	124487997/0	1	Cotter Pin	
33	125430213/0	1	Spring	
34	327670058/0	2	Washer	
37	114365167/0	1	Label	
41	125670006/0	2	Spacer	
42	127160059/0	2	Spacer	
62	184044013/0	2	Rimm	
63	127590051/0	2	Tyre	
65	125670005/1	2	Washer	
66	112001010/0	2	Snap Ring	
67	125670006/0	0-4	Spacer	
68	122110230/0	2	Hub Cover	
69	125950000/0	2	Valve	



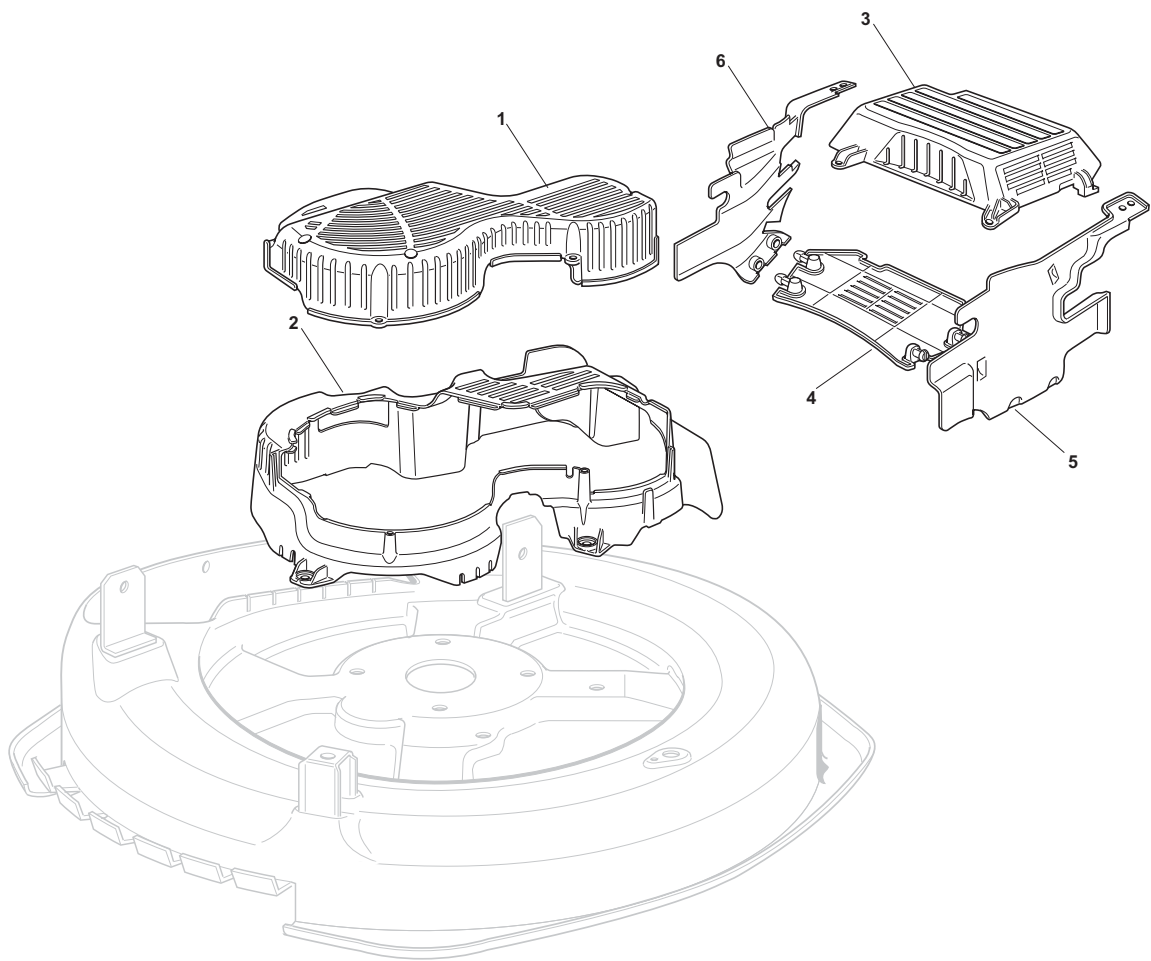
Cutting Plate Lifting				with Briggs & Stratton and Honda Engines
POS	CODE	Q.TY	DESCRIPTION	NOTES
1	384001025/0	1	Axle	
2	327546015/2	2	Plate	
3	112731350/0	4	Screw	
4	124487997/0	1	Cotter Pin	
5	325670008/1	1	Washer	
6	112156602/0	1	Nut	
7	325670008/1	2	Washer	
8	384001005/2	1	Axle	
9	327546015/2	2	Plate	
10	112731350/0	4	Screw	
11	125510007/2	1	Pin	
12	325670008/1	2	Washer	
13	112156602/0	1	Nut	
14	125840003/2	1	Tie Rod	
15	112295200/0	1	Nut	
16	112156602/0	1	Nut	
17	322672150/0	2	Washer	
18	124487997/0	1	Cotter Pin	
19	184002051/0	1	Rod	
20	125510040/1	1	Pin	
21	112293200/0	1	Nut	
22	112155000/0	1	Nut	
23	112436050/0	1	Plate	
24	325670011/0	2	Washer	
25	325670011/0	2	Washer	
26	112155000/0	1	Nut	
27	384317065/1	1	Lever	
28	125394510/0	1	Knob	
29	112674700/0	1	Screw	
30	112154510/0	1	Nut	
31	127430555/0	1	Spring	
32	127510114/0	1	Pin	



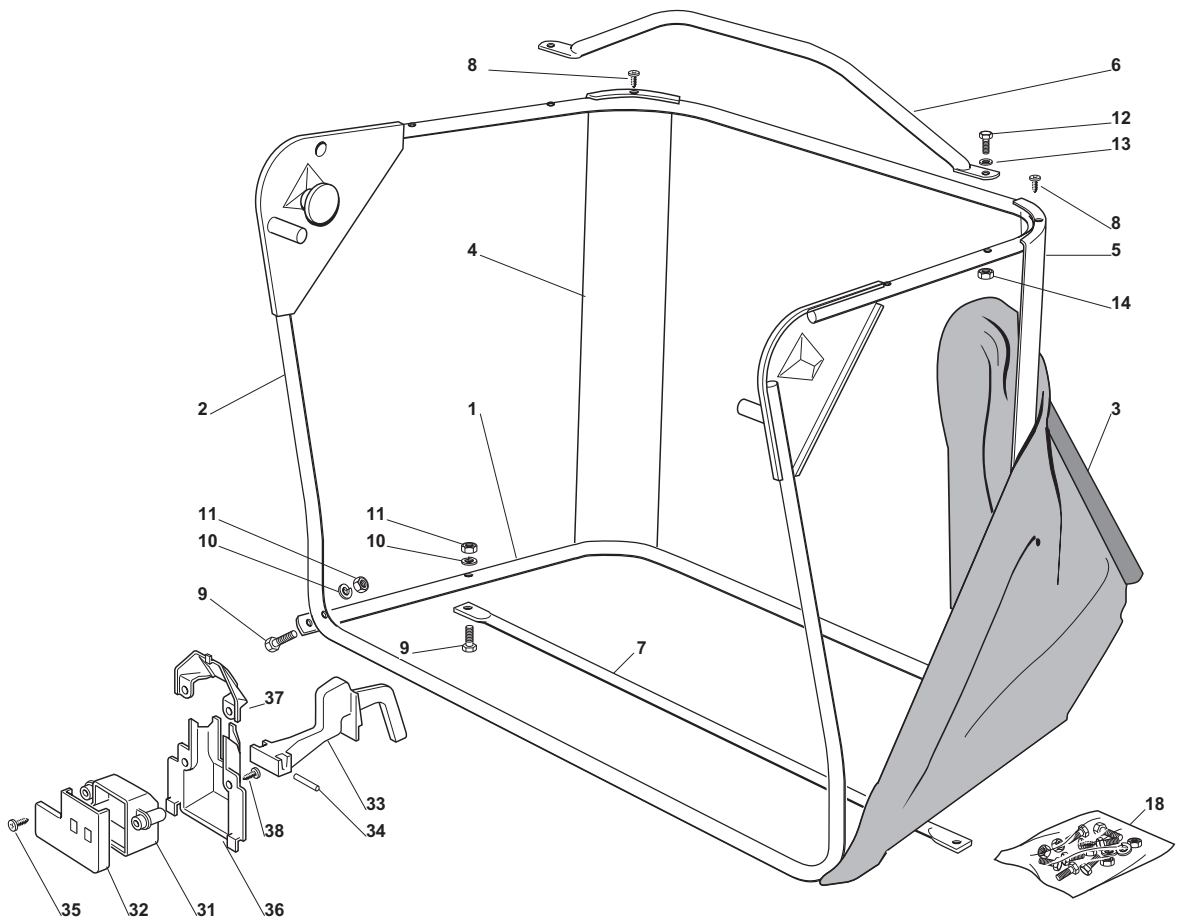
Blades Engagement with Briggs & Stratton and Honda Engines

POS	CODE	Q.TY	DESCRIPTION	NOTES
1	327315134/0	1	Lever	
2	125394510/0	1	Knob	
3	384001007/0	1	Axle	
4	125430226/0	1	Spring	
5	112692050/0	1	Screw	
6	112155000/0	1	Nut	
7	325547049/0	2	Plate	
8	112731601/0	4	Screw	
9	127430571/0	1	Spring	
10	127487000/0	1	Shoe	
11	112791213/1	2	Screw	
12	112154510/0	2	Nut	
13	127034078/0	1	Rod	
14	122746610/0	1	Joint	
15	327772143/0	1	Clamp	
16	127430576/0	1	Spring	
17	112521350/0	1	Washer	
18	127510113/0	1	Pin	
19	112293200/0	1	Nut	
20	112155000/0	1	Nut	
21	112583500/0	1	Grower	
22	112293200/0	1	Nut	
23	325670008/1	1	Washer	
24	124487997/0	1	Cotter Pin	
25	125670006/0	1	Spacer	
26	112293200/0	1	Nut	
27	384317103/0	1	Spacer	
28	112714250/0	1	Dowel	
31	384317083/0	1	Lever	
32	127047000/0	1	Bush	
33	112691200/0	1	Screw	
34	112523060/0	1	Washer	
35	322672152/0	1	Washer	
36	112523070/0	1	Washer	
37	112155000/0	1	Nut	
38	127604008/0	1	Pulley	
39	112691600/0	1	Screw	
40	112523060/0	1	Washer	
41	112293201/0	1	Nut	
42	135061423/0	1	Belt	
61	384220501/0	1	Brake	
62	122041980/0	1	Bush	
63	322672152/0	1	Washer	
64	112793102/0	1	Screw	
65	112155010/0	1	Nut	
66	127034077/0	1	Rod	
67	125510040/1	1	Pin	
68	112293200/0	1	Nut	
69	112155000/0	1	Nut	
70	325670011/0	2	Washer	
71	112155000/0	1	Nut	
72	124487997/0	1	Cotter Pin	

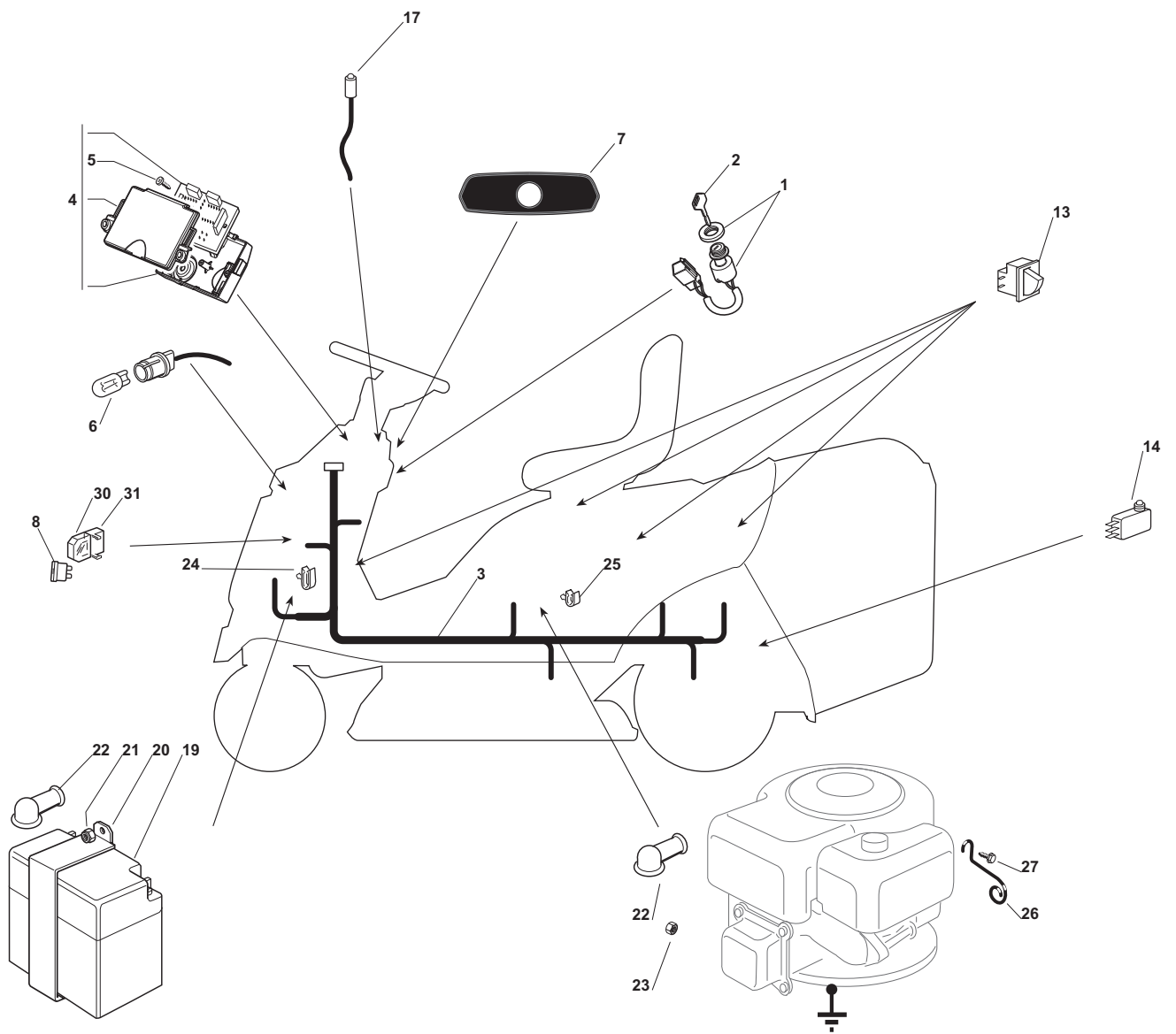
Cutting Deck				
POS	CODE	Q.TY	DESCRIPTION	NOTES
1	384564111/0	1	Cutting Plate Black	
2	125033060/0	1	Washing Cutting Deck Connection	
3	119035000/0	1	O Ring	
4	112500030/0	1	Rivet	
5	327045000/1	1	Conveyor Inlet	
6	112815210/0	6	Screw	
7	112523040/0	6	Washer	
8	112154510/0	6	Nut	
9	384207250/0	1	Flange Assy	
10	127023000/0	1	Shaft	
12	119216047/0	2	Bearing	
13	325160501/0	1	Dust Cover	
14	112609260/0	1	Seeger	
15	112818700/0	4	Screw	
16	327787067/0	1	Support (Ggp)	only with GGP Engines
17	112154210/0	4	Nut	
18	125463200/0	1	Blade Hub	
19	112139100/0	1	Feather	
20	184109503/0	1	Blade Mulching, Winged	
21	122160400/0	1	Elastic Washer	
22	112523080/0	1	Washer	
23	112735694/0	1	Screw	
24	127604009/0	1	Pulley	
25	112139480/0	1	Key	
26	112793102/0	1	Screw	
27	125670007/0	1	Washer	
28	112583500/0	1	Grower	
29	127488000/0	1	Air Intake Grill	
30	112815200/0	4	Screw	
31	112521340/0	4	Washer	
32	112154510/0	4	Nut	
33	112794970/0	1	Screw	
34	112523080/0	2	Washer	
35	112154250/0	1	Nut	
36	125510007/2	1	Pin	
37	112295200/0	1	Nut	
38	112156602/0	1	Nut	
39	112585100/0	1	Grower	
41	184109502/0	1	Blade, Winged	
45	112154510/0	4	Nut	
46	327543009/0	2	Deck Profile,Black	
46	327543011/0	2	Deck Profile,Red	
46	327543013/0	2	Deck Profile,Yellow	
47	112815210/0	4	Screw	
51	127107501/0	1	Conveyor	
52	327140051/1	1	Deflector	
53	112735403/0	8	Screw	
54	127510097/1	1	Pin	
55	124487997/0	2	Cotter Pin	



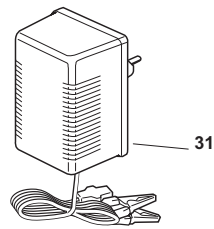
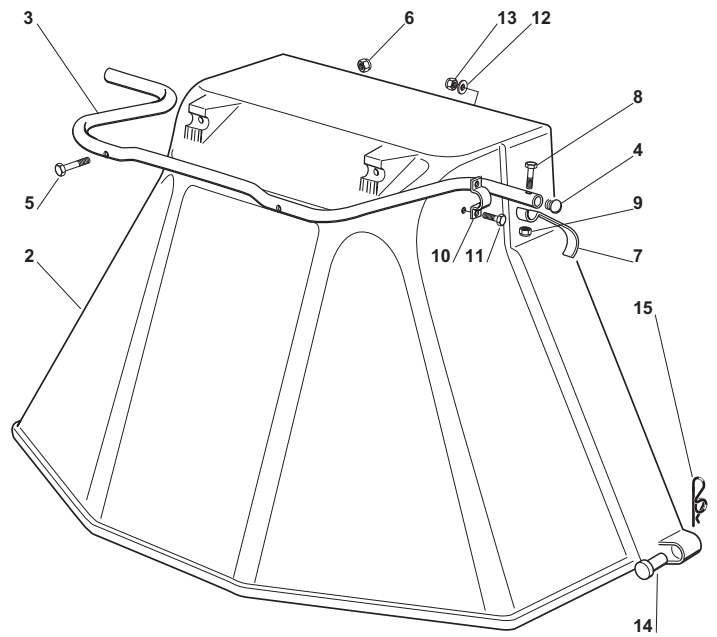
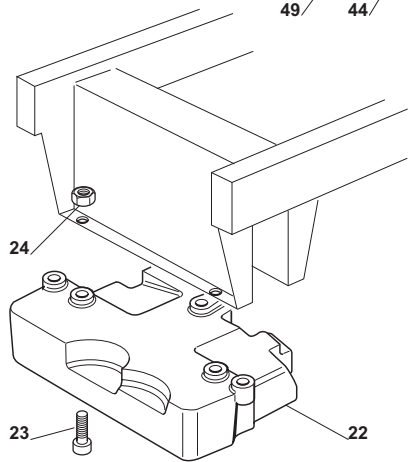
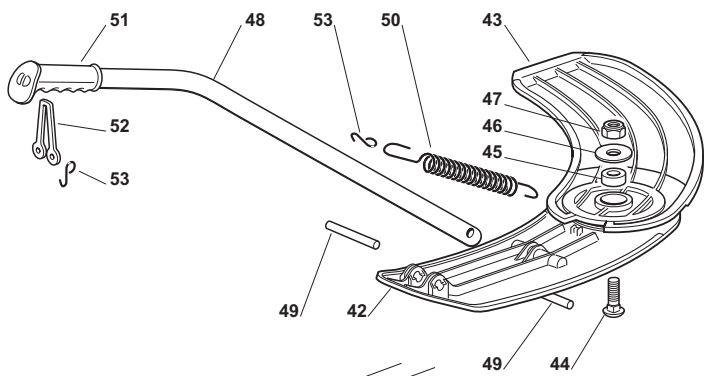
Cutting Deck Protections				
POS	CODE	Q.TY	DESCRIPTION	NOTES
1	325060136/0	1	Protection	
2	325060137/0	1	Protection	
3	325060138/0	1	Protection	
4	325060141/0	1	Protection	
5	325060140/0	1	Protection	
6	325060139/0	1	Protection	



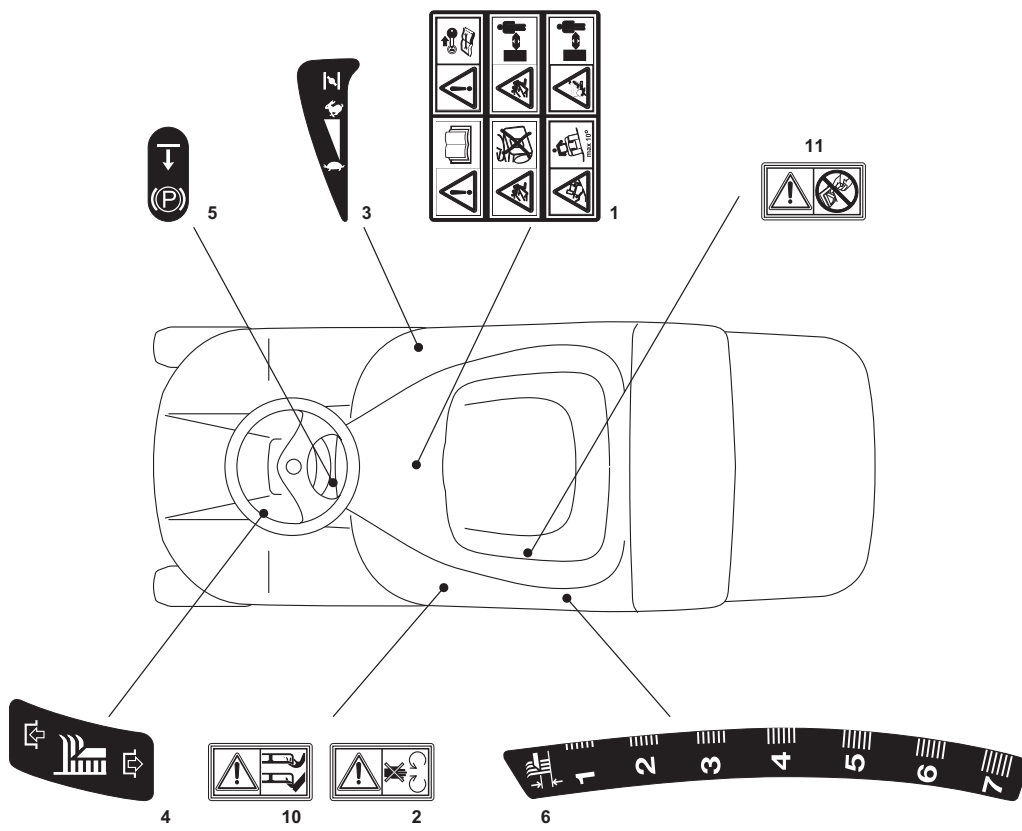
Grasscatcher				
POS	CODE	Q.TY	DESCRIPTION	NOTES
1	384801103/0	1	Lower Frame	
2	384801105/1	1	Upper Frame	
3	184106069/0	1	Grasscatcher	
4	327010205/0	1	Right Angular Support	
5	327010207/0	1	Left Angular Support	
6	384869051/0	1	Rod	
7	384650100/0	1	Stiffening	
8	112729601/1	4	Screw	
9	112792099/0	4	Screw	
10	112582101/0	4	Grower	
11	112292100/0	4	Nut	
12	112674701/0	2	Screw	
13	112521331/0	2	Washer	
14	112154510/0	2	Nut	
18	384180180/0	1	Screws Outfit (8÷14)	
31	125600041/0	1	Micro Protection	
32	125600042/0	1	Protection Cover	
33	125318124/0	1	Lever	
34	112400030/0	1	Pin	
35	112728510/0	1	Screw	
36	125600047/0	1	Micro Protection	
37	125600048/0	1	Deflector Cover	
38	112728450/0	2	Screw	



Electrical Parts				
POS	CODE	Q.TY	DESCRIPTION	NOTES
1	118450075/1	1	Starting Switch	
2	118210023/0	1	Starting Key	
3	184040131/0	1	Cables Ass.Y	
4	384722479/0	1	Electronic Card	
5	112735101/0	3	Screw	
6	118459100/0	1	Fairlamp for Lights	
7	125420022/0	1	Check Control	
8	133340035/0	1	Fuse 15 A	
8	133340040/0	1	Fuse 10A	
13	119410613/0	4	Microswitch	
14	119410605/1	1	Microswitch	
17	125065014/1	1	Cable	
19	118120002/1	1	Battery	
20	327772099/1	1	Clamp	
21	112155000/0	1	Nut	
22	118564861/1	2	Protection	
23	112361005/0	1	Nut	
24	133320506/0	3	Fairlead	
25	133320504/0	1	Fairlead	
26	127430561/0	1	Spring	
27	112735121/0	1	Screw	
30	133215000/0	2	Cover	
31	133500007/0	2	Fuse Carrier	



Optionals On Request				
POS	CODE	Q.TY	DESCRIPTION	NOTES
2	484598062/0	1	Ejection Guard	
3	327869053/0	1	Support	
4	118566113/0	2	Cap	
5	112674701/0	2	Screw	
6	112154510/0	2	Nut	
7	325547053/0	1	Plate	
8	112791500/0	1	Screw	
9	112154510/0	1	Nut	
10	325547049/0	2	Plate	
11	112788910/0	4	Screw	
12	112523020/0	4	Washer	
13	112154320/0	4	Nut	
14	125510022/0	2	Pin	
15	124487998/0	2	Cotter Pin	
22	125519997/1	1	Weight	
23	112760520/0	3	Screw	
24	112155000/0	3	Nut	
31	182180091/0	1	Battery Charger	UK plug
31	182180090/0	1	Battery Charger	CE plug
42	327140055/0	1	Deflector, Rear	
43	327140054/0	1	Deflector, Front	
44	112818700/0	1	Screw	
45	127047013/0	1	Bushing	
46	322672152/0	1	Washer	
47	112155000/0	1	Nut	
48	327394003/2	1	Handle	
49	127510116/0	2	Pin	
50	125430229/1	1	Spring	
51	325280000/1	1	Handgrip	
52	125840011/1	1	Elastic Tie-Rod	
53	125253004/0	3	Hook	



Labels				
POS	CODE	Q.TY	DESCRIPTION	NOTES
1	114357428/1	1	Label	
2	114357519/2	1	Label	
3	114357425/1	1	Label	
4	114357431/0	1	Label	
5	114357526/1	1	Label	
6	114357427/0	1	Label	
10	114356699/1	2	Label	
11	114360118/0	1	Label	